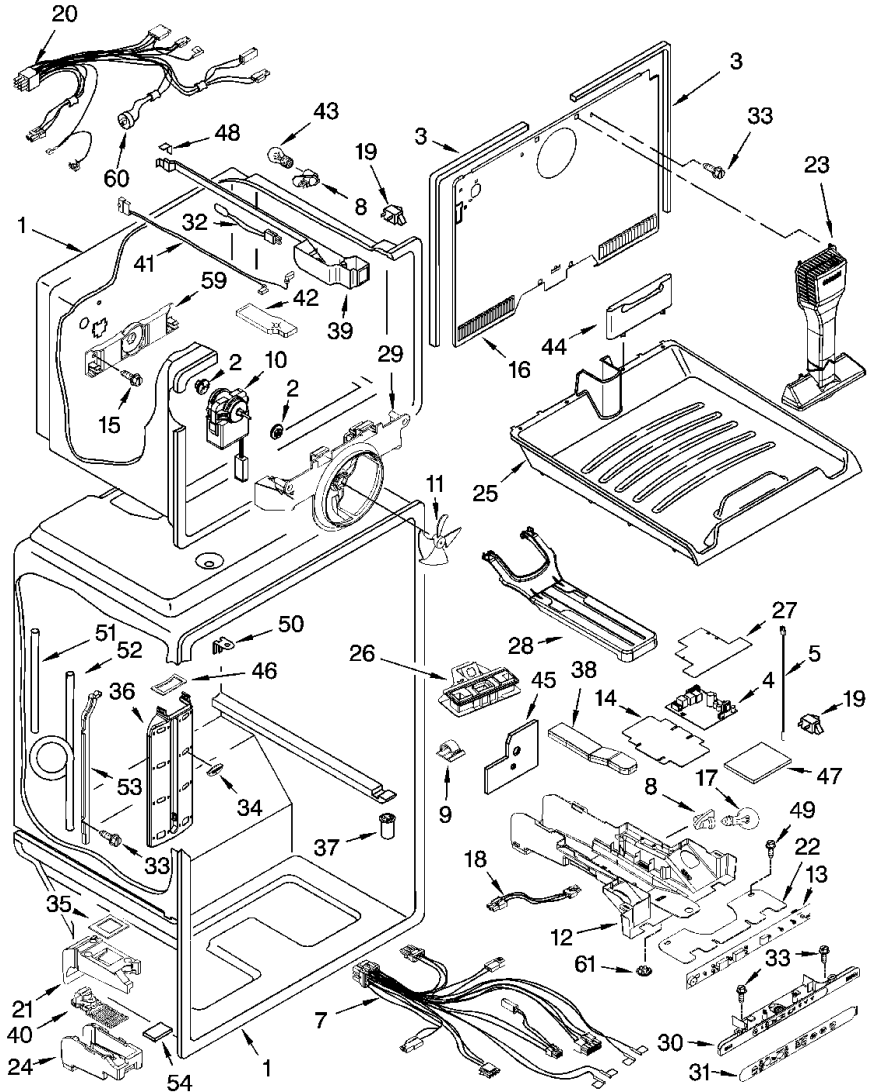


106.74203402

3	2189410	HINGE-DOOR
4	2166108	ROLLER ASSEMBLY
5	2208136	CLAMP
6	2166251	COVER-VALVE WATER
7	2186494W	CAP ASSY-FILTER
7A	2186494J	DISCONTINUED
7B	2186494T	CAP ASSY-FILTER
7C	2186494B	CAP ASSY-FILTER
8	489341	WASHER
9	2225521	HOUSING ASSY-WATER FILTE
10	3400504	SCREW
11	9915	FILTER
12	549193	CLAMP
14	3196178	SCREW
15	489497	SCREW
16	2183972	HINGE-DOOR
17	2183854	SHIM
18	489464	SCREW
19	2300782	DISCONTINUED
20	2254473	HINGE BUTT-BOTTOM
21	2179826	RIVET
22	489427	SCREW
24	N/P	****
27	2201012	BUTTON-PLG
27A	2204835	HOLE PLUG-PRESS FIT,GRAP
27B	2200924	HOLE PLUG-PRESS FIT-BISC
27C	2183998	HOLE PLUG-PRESS FIT-BLAC
35	2201014	FILLER-WRAPPER CORNER, W
35A	2204843	FILLER-WRAPPER CORNER, G
35B	2200926	DISCONTINUED
35C	2201017	FILLER-WRAPPER CORNER, B
36	2300475W	GRILLE ASSY-DISP 21'/22'
36A	2300475J	GRILLE
36B	2300475T	DISCONTINUED
36C	2300475B	DISCONTINUED
37	2189356	CLIP-GRILLE

38	487576	WASHER
39	2300634W	DISCONTINUED
39A	2300634J	ENDCAP-GRL
39B	2300634T	ENDCAP-GRL
39C	2300634B	DISCONTINUED
40	2213360	COVER-HINGE-WHITE
40A	2213388	COVER-HINGE-GRAPHITE
40B	2213364	COVER-HINGE-BIS
40C	2213363	COVER-HINGE-BLACK
41	N/P	****
43	2201121	DISCONTINUED
44	2302358	COVER-UNIT

106.74203402

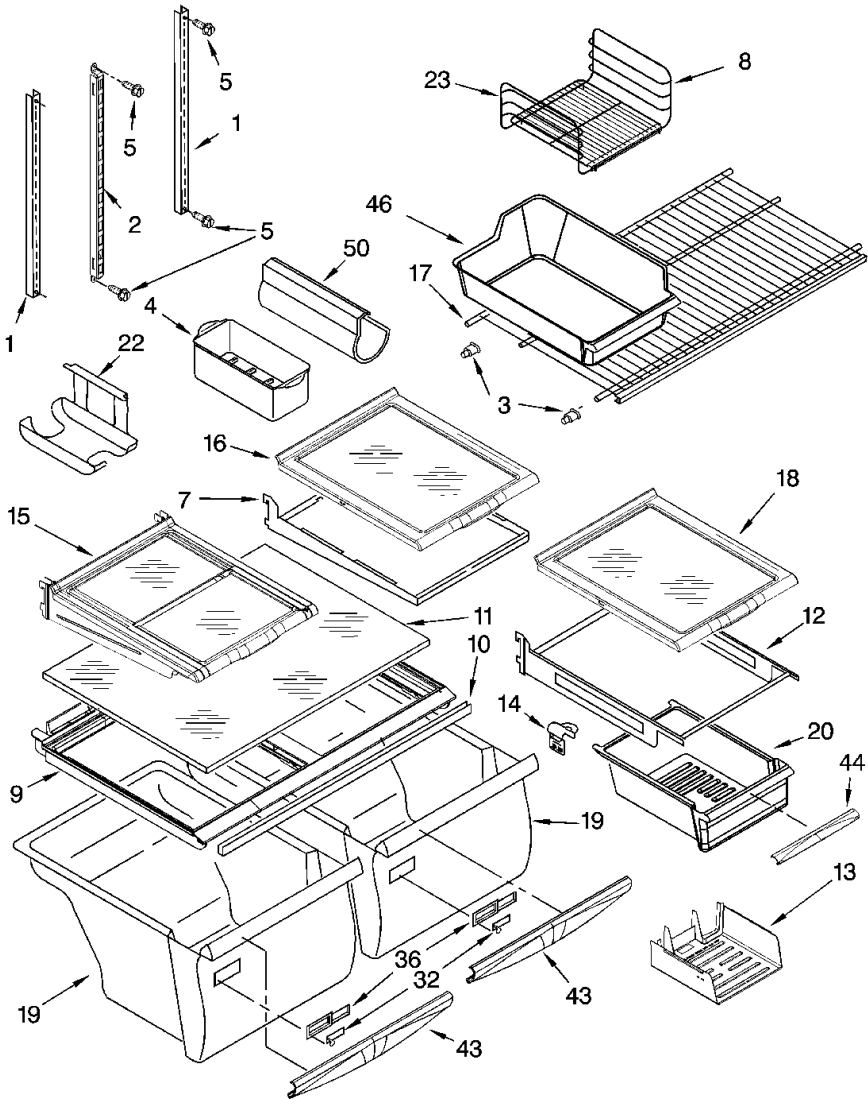


106.74203402

2	2197380	GROMMET
3	2254360	GASKET
4	2304100	CNTRL-ELEC
5	2188820	THERMISTOR
7	2187927	WIRE ASSY-CONT BOX,ML,TH
8	2162085	SOCKET-LITE
9	1115374	CLIP-WIRING
10	2225625	MOTOR-EVAP
11	2200509	BLADE-FAN
12	2300411	CONTRL-BOX
13	8201735R	CNTRL-ELEC
14	2300568	COVER-DUCT
15	488208	SCREW
16	2254262	COVER-EVAP
17	2255743	BULB-LIGHT
18	2187777	WIRE ASSY-UI,ML,THEVENI
19	1118894	ROCKER ARM SWITCH-N.C.
20	2310045	WIRE ASSY-EVAP FAN,THEVE
21	2300405	DISCONTINUED
22	2300551	COVER-BOX
23	2254354	TOWER-AIR
24	2300404	DISCONTINUED
25	2225476	PULL OUT FZR FLOOR ASSY
26	2300530	DISCONTINUED
27	2300550	COVER
28	2225473	RETAINER-FRZR FLR
29	2254453	ORIFICE-FAN,EVAP
30	2300668	HOUSING
31	2300559	OVERLAY
32	2188819	THERMISTOR
33	489478	SCREW
34	2300519	GRILLE
35	2300810	GASKET
36	2300518	DISCONTINUED
37	2210509	VALVE TUBE-BODY
38	2300415	DUCT-AIR

39	2300418	HOUSING-FREEZER LIGHT
40	2300528	AIR-BAFFLE
41	2187601	WIRE ASSY-FRZR LT
42	2193491	SHIELD-ELEC FRZR LIGHT
43	2260802	BULB-LIGHT
44	2198768	FENCE-REAR,PULLOUT FZR F
45	2204639	FENCE-REAR,PULLOUT FZR F
46	2300711	GASKET
47	2300560	GASKET
48	2166284	GASKET-REAR
49	3196537	SCREW
50	2210563	DISCONTINUED
51	2301621	TUBE-WATER,THICK WALL
52	2305536	TUBE-WATER
53	2225531	COVER-TUBING
54	2300834	GASKET-BAFFLE
59	2254454	BRACKET-BACK EVAP FAN
60	2314158	BIMETL-DEF
61	940014	HOLE PLUG

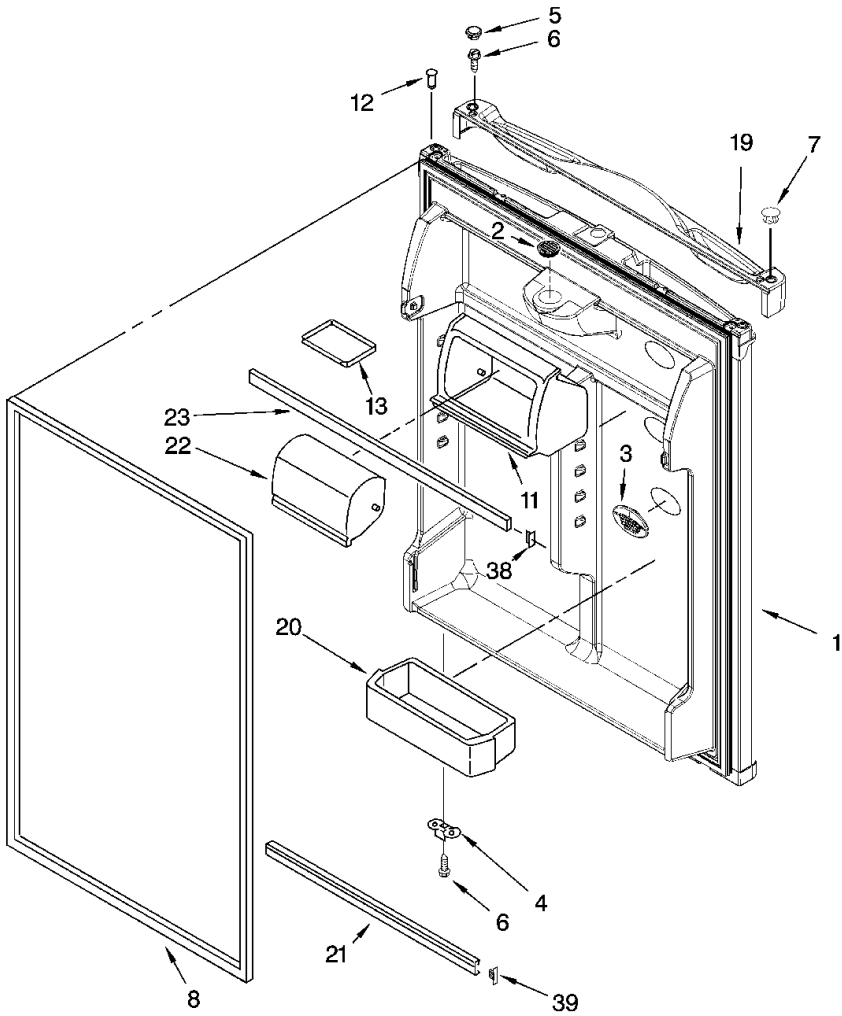
106.74203402



106.74203402

1	2210522	LADDER-SHELF,SIDE
2	2300520	LADDER-SHELF;CENTER
3	2163762	CUP-SHELF MOUNTING, FC
4	2216624	EGG CONTAINER
5	489478	SCREW
7	2225698	FRAME-SHLF
8	2225136	DIVIDER
9	2300763	COVER
10	2163832	SUPPORT
11	2210581	SHELF-GLAS
12	2205162	FRAME ASSY-SHELF,CHILL M
13	2300646	SHROUD
14	2204647	DISCONTINUED
15	2300611	DISCONTINUED
16	2225726	SHELF-GLAS
17	2184667	DISCONTINUED
18	2300765	SHELF-GLASS
19	2218130	PAN-CRISPR
20	2218132	PAN-MEAT
22	2187254	DISCONTINUED
23	2204776	SHELF-WIRE
32	2176222	SLIDE
36	2212446	BODY-HUMIDITY CONTROL
43	2300770	DISCONTINUED
44	2300776	TRIM-PAN
46	2254352	PAN-ICE
50	2179404K	WINE RACK (WHITE)

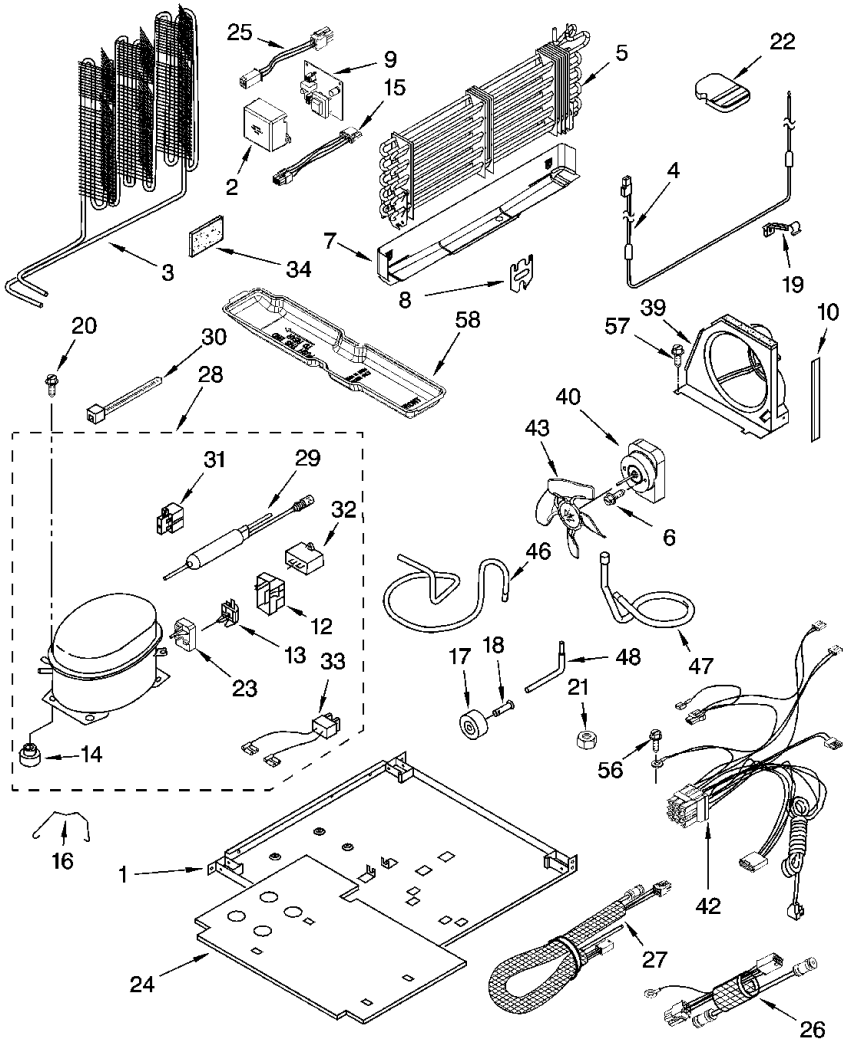
106.74203402



106.74203402

1	2300478W	DISCONTINUED
1A	2300478S	DISCONTINUED
1B	2300478T	DISCONTINUED
1C	2300478V	DISCONTINUED
1D	2300478B	DOR-FIP BL
2	2300613	GRILLE
3	2300614	GRILLE
4	2189202	BRACKET
5	2204837	HOLE PLUG-END CAP
5A	2204839	HOLE PLUG-END CAP
5C	2204840	HOLE PLUG-END CAP
6	489276	SCREW
7	2212648	BUTTON-PLG
7A	2212649	BUTTON-PLG
7B	2212651	BUTTON-PLG
8	2202875	GASKET-DOOR;RC'
8A	2202882	GASKET-DOOR,FIP,RC,BLK
11	2210566	HOUSING
12	2183003	THIMBLE
13	2195388	TRAY-DOOR RC
19	2300571W	ENDCAP-HANDLE,RC,WHT
19A	2300571J	HANDLE
19B	2300571T	DISCONTINUED
19C	2300571B	ENDCAP-HANDLE,RC,BLK
20	2179606	BIN-CNTLVR
21	2195948	TRIM-DOOR
22	2218109	DOOR-COMP
23	2159306	TRIM-DOOR
38	2177340	ENDCAP-TRM
39	2156006	ENDCAP-TRM

106.74203402

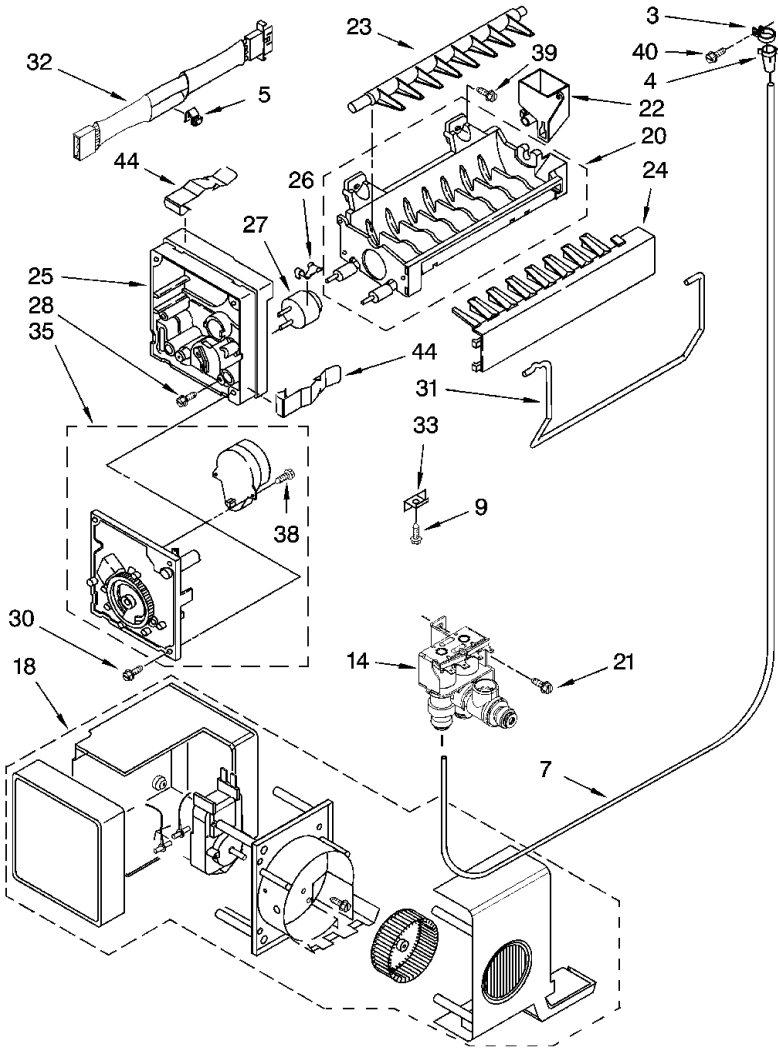


106.74203402

1	2225596	PLATE-UNIT MOUNTING 21
2	2300499	DISCONTINUED
3	2214960	CONDENSER
4	2314157	HEATER
5	2221761	EVAPORATOR
6	8533859	SCREW
7	2254295	DISCONTINUED
8	2176301	BRACKET-HEATER CENTER
9	2300867	CNTRL-ELEC
10	2300638	BAFFLE-AIR,UNIT COMPT
12	4387731	COVER-TERM
13	2159596	OVERLOAD
14	1100826	MOUNT-KIT
14A	4387558	GROMMET
15	2187861	WIRE ASSY-DISP PSB JUMPE
16	2255199	RETAINING CLIP-TSD
17	2150304	ROLLER-CAB
18	2221797	RIVET
19	2182338	GROUND CLIP
20	489373	MOUNT-KIT
22	2201185	EVAPORATOR SUPPORT BLOCK
23	2255968	START-DEV
24	2214857	INSULATION
25	2314102	WIRE ASSY-DISP PSB JUMPE
26	2314103	WIRE ASSY-SIDE RAIL,EXT
27	2187864	WIRE ASSY-FRONT RAIL,EXT
28	2221795	COMPRESSOR
29	2199167	DRIER-TUBE
29A	4387019	DRIER-TUBE
30	2155774	TIE-WIRE
31	2183454	RELAY-STRT
32	2169373	CAPACITOR
32A	1118576	CAPACITOR
33	4387765	WIRE
34	2169104	INSULATION

39	2302249	BRKT ASSY-FAN MTG
40	2188875	MOTOR-COND
42	2187976	WIRE ASSY-UNIT,B/G DISP
43	2225834	BLADE-FAN
46	2205533	TUBE-DISCHARGE,EGU70
47	2214924	TUBE-SUCTION,EGU70
48	2154109	TUBE-PROCESS
56	488500	SCREW
58	2300635	TRAY-EVAP

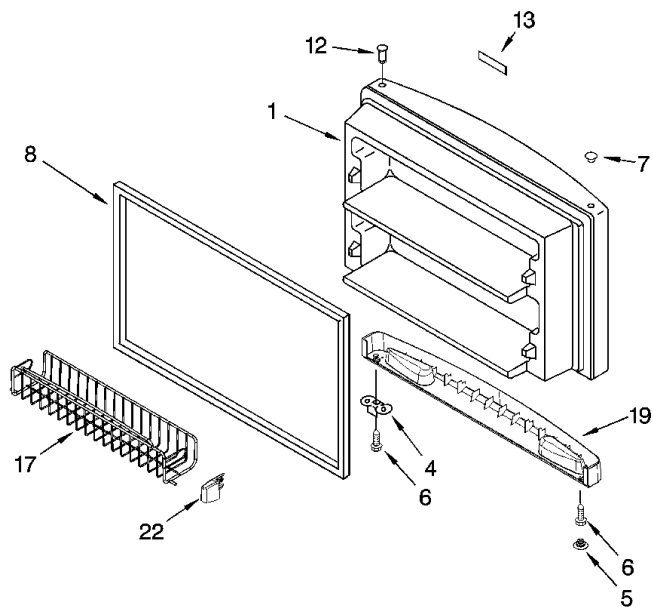
106.74203402



106.74203402

3	488878	CLAMP-TUBE
4	2181939	INSERT
5	628379	CLIP
7	2210514	TUBE-WATER
9	489478	SCREW
14	2188808	VALVE-INLT
18	2300590	DISCONTINUED
20	628228	MOLD-ICE
21	489442	SCREW
22	628356	CUP-WATER FILL
23	2194711	ARM-EJECTR
24	2182124	ARM-STRIPR
25	2194712	HOUSING-IM
26	627796	CLIP
27	627985	BIMETL-DEF
28	8533917	SCREW
30	489276	SCREW
31	627792	ARM-SHUT
32	2187464	HARNS-WIRE
33	628320	BRACKET-ICE MAKER
35	628399	MODULE & MOTOR ASSY
38	489136	SCREW
39	488208	SCREW
40	488886	SCREW
44	2204881	MAX ICE-CLIP,RETAINER
99	4317943	ICE MAKER

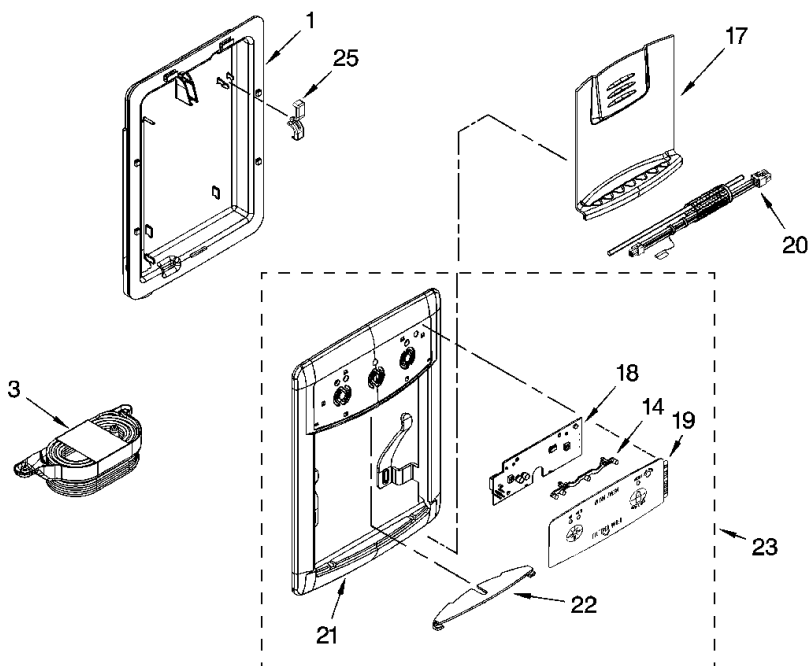
106.74203402



106.74203402

1	L2202520	KIT-FIELD SERVICE FC DOO
1A	2204855	DISCONTINUED
1B	2204854	DISCONTINUED
1C	2225258	DISCONTINUED
1D	2204856	DISCONTINUED
4	2189202	BRACKET
5	2204837	HOLE PLUG-END CAP
5A	2204839	HOLE PLUG-END CAP
5C	2204840	HOLE PLUG-END CAP
6	489276	SCREW
7	2212648	BUTTON-PLG
7A	2212649	BUTTON-PLG
7B	2212651	BUTTON-PLG
8	2214967	GASKET-DOOR,FC'
8A	2214969	GASKET-DOOR,FIP,FC,BLK
12	2183003	THIMBLE
13	8557505	NAMEPLATE-KENMOR& ELITE
17	2300796	BASKET-FZR
19	2300575W	END CAP-HANDLE,FC,WHT
19A	2300575J	HANDLE
19B	2300575T	HANDLE
19C	2300575B	HANDLE
22	2300799	END CAP-FC DR BASKET RH
22A	2300798	END CAP-FC DR BASKET LH

106.74203402



106.74203402

3	2300485	RESERVOIR ASSY-EXT DISP
14	2300626	DISCONTINUED
17	2300474W	DISCONTINUED
17A	2300474J	DISCONTINUED
17B	2300474T	DISCONTINUED
17C	2300474B	DISCONTINUED
20	2314122	WIRE ASSY-DOOR,EXT DISP
23	2300484W	FRONT COVER ASSY-KEN
23A	2300484J	DISCONTINUED
23B	2300484T	DISCONTINUED
23C	2300484B	DISCONTINUED
25	2300490	DISCONTINUED

***NOTA: SI EL CODIGO DEL ARTICULO QUE NECESITA NO APARECE EN NUESTRA PAGINA WEB, ES PROBABLE QUE SEA SOBRE PEDIDO O ESTE OBSOLETO.**

FAVOR DE COMUNICARSE A NUESTRAS OFICINAS PARA MAYOR INFORMACION

TELEFONOS: 83377949, 83377999 Y 83373889.