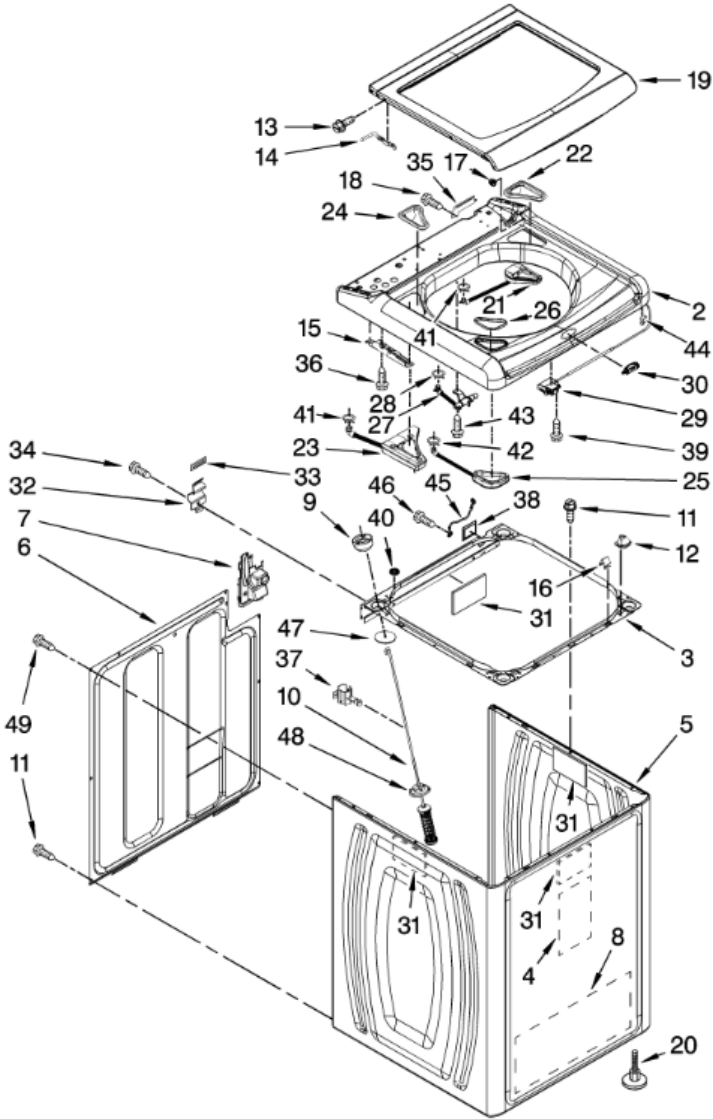


110.27086603 GABINETE



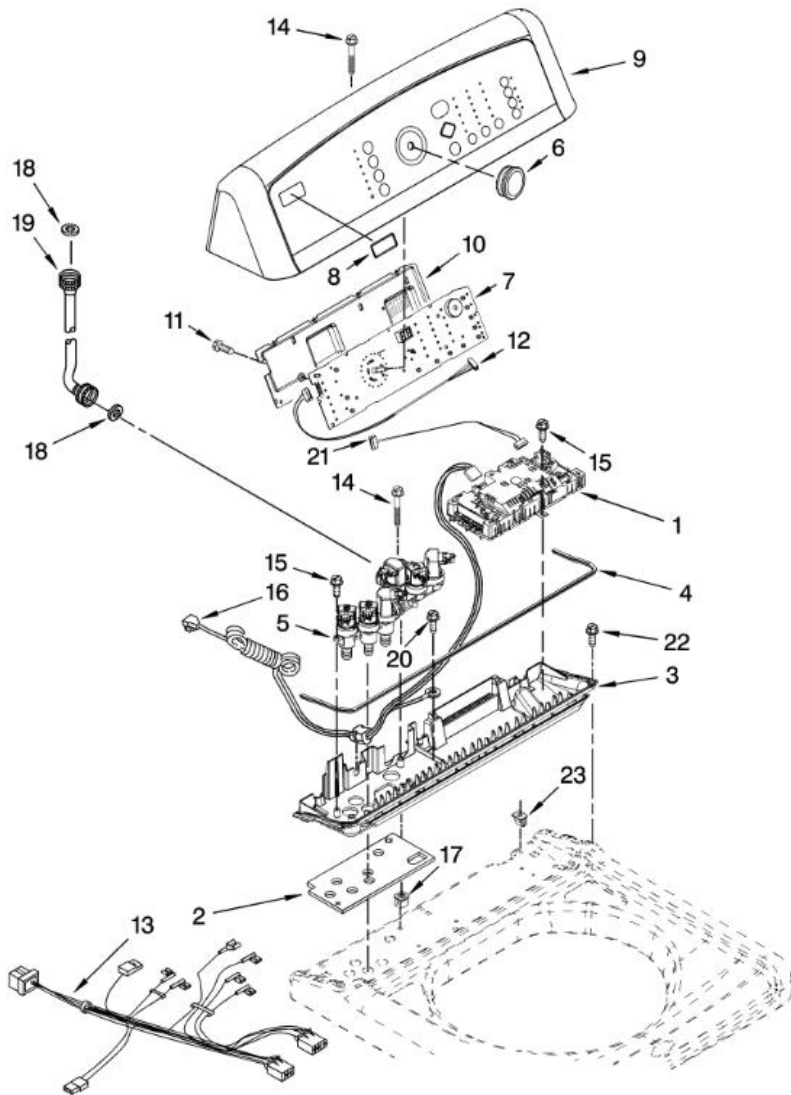


110.27086603 GABINETE

1B	8566926	LAUNDRY GUIDE
2	3957177	TOP
2B	W10166499	TOP
3	W10198634	FRAME
4	8576784	SOUND ABSORBER
5	W10434974	CABINET
5B	W10013420	CABINET
6	8566090	REAR PANEL
7	W10160572	CONNECTOR
8	8578225	SOUND ABSORBER
9	W10198919	BALL, SUSPENSION
10	W10189077	SUSPENSION
11	489069	SCREW
12	W10042120	LOCATOR
13	W10119828	LID HINGE MOUNTING SCREW
14	8563964	LID HINGE ARM
15	8580114	HINGE
15A	8580115	HINGE
16	8563785	LOCK
17	8546627	BEARING, LID HINGE
18	488729	SCREW
19	W10110852	LID ASSEMBLY
19A	W10110853	LID
19B	8565334	LID
20	W10568619	LEVELING FEET
21	8563865	DISPENSER
22	8563871	BEZEL
23	W10642276	DISPENSER
24	8563876	BEZEL
25	8563866	DETERGENT DISPENSER
26	8563877	BEZEL

27	W10106990	NOZZLE
28	596669	CLAMP
29	W10059230	LATCH
30	8572019	BEZEL
30A	8572016	BEZEL
30B	8572017	BEZEL
31	8564458	ABSORBER
32	8564456	HINGE
33	18849	HINGE PAD
34	681414	SCREW
35	8563941	COVER
36	693995	SCREW
37	8543784	CLIP
38	8578386	SHIELD
39	8281136	SCREW
40	8576476	SPACER
41	596669	CLAMP
42	596669	CLAMP
43	3400061	SCREW
44	90016	CLIP
45	3184020	WIRE
46	3400076	SCREW
47	8577896	WASHER
48	8564017	CUP, SUSPENSION

110.27086603 TABLERO

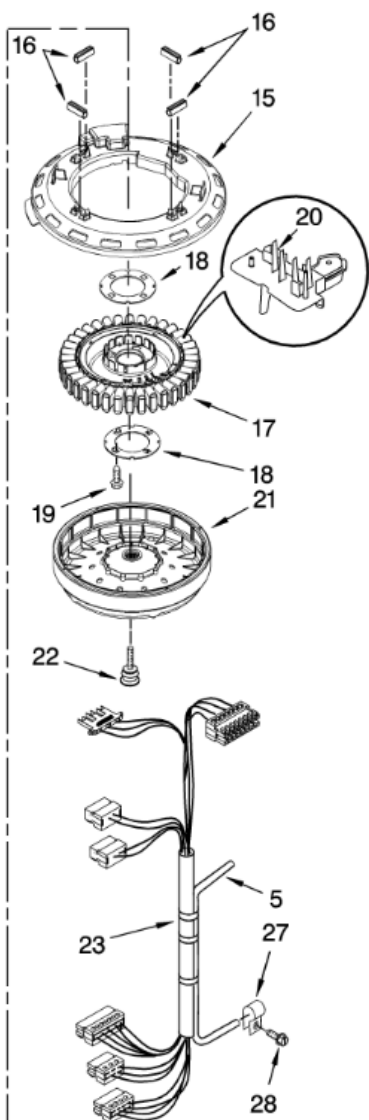
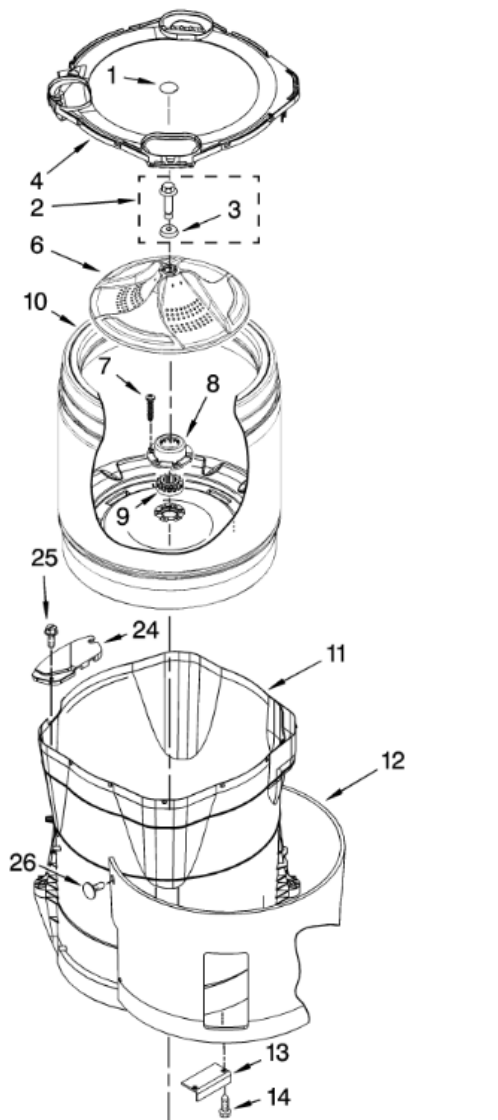




110.27086603 TABLERO

1	W10189966	ELECTRONIC CONTROL
2	W10130502	GASKET
3	8578550	TRAY
3A	8578551	TRAY
3B	8578552	TRAY
4	8546616	GASKET
5	W10372095	VALVE
6	8565247	KNOB
6A	8574937	KNOB
6B	8571901	KNOB
7	8564392	ELECTRONIC CONTROL
8	8557504	MEDALLION
9	W10034420	CONSOLE
9A	W10034430	CONSOLE
9B	W10034440	CONSOLE
10	8572038	COVER
11	W10003770	SCREW, 6-19 X 1
12	3407184	WIRE HARNESS
13	W10058770	WIRE HARNESS
14	8565324	SCREW
15	8281136	SCREW
16	3407203	POWER CORD ASSEMBLY
17	98460	PUSH ON NUT
18	16123	WASHER
19	89503	INLET HOSE
20	488649	SCREW, POWER CORD GROUND
21	3407187	WIRE HARNESS
22	W10052600	SCREW
23	W10022060	NUT

110.27086603 TINAS

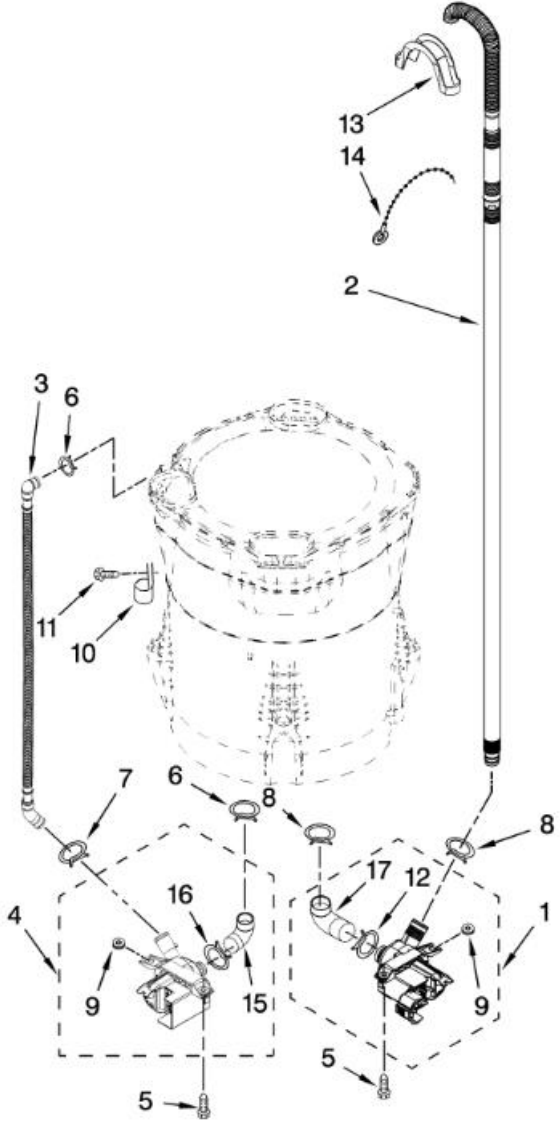




110.27086603 TINAS

1	W10106600	CAP
2	W10076270	SCREW
3	W10076260	WASHER
4	W10130807	TUB RING
5	353244	HOSE
6	W10077050	WASHPLATE
7	8533953	SCREW
8	280145	HUB
9	280145	HUB
10	W10296143	WASH BASKET
11	W10193886	OUTER TUB
12	8546680	SOUND ABSORBER
13	8542674	COUNTERWEIGHT
14	W10004910	SCREW, 12-16 X 1-1
15	W10137698	SHIELD
16	280142	TUBE
17	W10419333	STATOR
18	8557836	PLATE
19	8534042	SCREW
20	W10183157	ELECTRONIC CONTROL
21	280146	ROTOR
23	W10183157	ELECTRONIC CONTROL
24	W10222008	FILTER
25	8533928	SCREW
26	8533987	RIVET
27	W10005430	CLAMP
28	8533957	SCREW, 10-16 X 1

110.27086603 BOMBA





110.27086603 BOMBA

1	W10536347	WATER PUMP
2	280190	HOSE
3	8543774	HOSE
4	W10233462	WATER PUMP
5	W10004910	SCREW, 12-16 X 1-1
6	STD316716	HOSE CLAMP
7	8269146	CLAMP
8	285655	CLAMP, HOSE
9	3367052	HOSE CLAMP
10	8534021	CLAMP
11	8533943	SCREW, 10-16 X 3/4
12	285655	CLAMP, HOSE
13	8576642	DRAIN HOSE RETAINER
14	W10339879	TIE WIRE
15	8182767	HOSE
15	8182769	HOSE
16	3367052	HOSE CLAMP
17	8182767	HOSE
17	8182769	HOSE