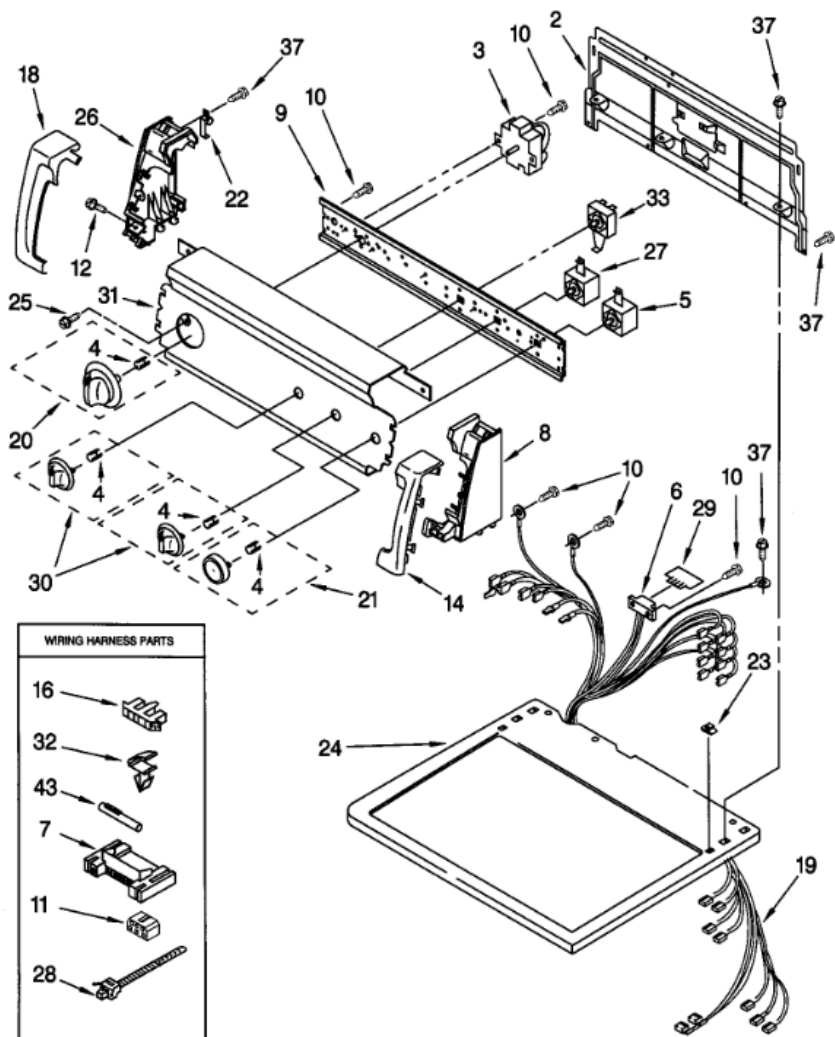


Distribuidor Autorizado

SurteRápido.com

Venta de Refacciones  
Electrodomesticas

110.60904990 TABLERO





## 110.60904990 TABLERO

|     |         |                      |
|-----|---------|----------------------|
| 2   | 3388665 | REAR PANEL           |
| 3   | 3976576 | TIMER                |
| 4   | 688805  | SPRING CLIP          |
| 5   | 3395382 | PUSH-TO-START SWITCH |
| 6   | 3391885 | CONNECTOR            |
| 7   | 3395683 | CONNECTOR            |
| 8   | 3949276 | ENDCAP               |
| 8A  | 3949274 | END CAP KIT          |
| 8B  | 3949275 | ENDCAP               |
| 8C  | 3949278 | ENDCAP               |
| 9   | 8271316 | BRACKET              |
| 10  | 3390646 | SCREW                |
| 11  | 3347243 | CONNECTOR            |
| 12  | 388326  | SCREW, CONSOLE       |
| 14  | 3951011 | TRIM                 |
| 14A | 3951009 | CONSOLE END CAPS     |
| 14B | 3951010 | TRIM                 |
| 14C | 3977759 | TRIM                 |
| 16  | 3397269 | CONNECTOR            |
| 18  | 3951015 | TRIM                 |
| 18A | 3951013 | CONSOLE END CAPS     |
| 18B | 3951014 | TRIM                 |
| 18C | 3977760 | TRIM                 |
| 19  | 3398958 | WIRE HARNESS         |
| 20  | 3402595 | TIMER KNOB           |
| 20A | 3402594 | TIMER KNOB           |
| 20B | 3402596 | KNOB                 |
| 20C | 3402597 | KNOB                 |
| 21  | 3402567 | CONTROL KNOB         |
| 21A | 3402566 | START KNOB           |
| 21B | 3402568 | CONTROL KNOB         |
| 21C | 3402569 | KNOB                 |
| 22  | 387402  | HINGE PANEL          |

|     |         |                          |
|-----|---------|--------------------------|
| 23  | 357213  | NUT                      |
| 24  | 697202  | TOP W                    |
| 24A | 697203  | TOP AL                   |
| 24B | 3978577 | TOP                      |
| 25  | 3400859 | SCREW                    |
| 26  | 3949282 | ENDCAP                   |
| 26A | 3949280 | END CAP KIT              |
| 26B | 3949281 | ENDCAP                   |
| 26C | 3949284 | ENDCAP                   |
| 27  | 3398093 | BUZZER ADJUSTMENT SWITCH |
| 28  | 3391018 | TIE WIRE                 |
| 29  | 3390537 | ELECTRONIC CONTROL       |
| 30  | 3402573 | KNOB                     |
| 30A | 3402572 | SELECTOR KNOB            |
| 30B | 3402574 | KNOB                     |
| 30C | 3402575 | KNOB, CONTROL            |
| 31  | 3977554 | CONTROL PANEL            |
| 31A | 3977555 | CONTROL PANEL            |
| 31B | 3977556 | CONTROL PANEL            |
| 31C | 8316769 | CONTROL PANEL            |
| 32  | 3394427 | CLIP                     |
| 33  | 3399640 | SWITCH                   |
| 37  | 3390647 | SCREW                    |
| 43  | 351296  | RECEPTACLE               |
|     | 3406911 | DRYER RACK               |





110.60904990 GABINETE

|     |         |                       |
|-----|---------|-----------------------|
| 1   | 3393904 | TERMINAL COVER        |
| 2   | 3390814 | SCREW                 |
| 3   | 697776  | SCREW                 |
| 4   | 3397659 | TERMINAL BLOCK        |
| 5   | 3394881 | SWITCH                |
| 6   | 3398948 | WIRE                  |
| 7   | 3402264 | CABNT W               |
| 7A  | 3402265 | CABNT AL              |
| 7B  | 3977765 | CABINET               |
| 8   | 3392100 | FOOT                  |
| 8A  | 279810  | LEVELING FEET         |
| 9   | 660658  | MOTOR CLAMP           |
| 10  | 3387374 | SPRING                |
| 11  | 3389420 | SCREW                 |
| 12  | 697750  | PLUG W                |
| 12A | 397751  | PLUG, MULTIVENT, A... |
| 12B | 3388311 | PLUG                  |
| 13  | 3388672 | IDLER PULLEY          |
| 14  | 279318  | TERMINAL              |
| 15  | 3390646 | SCREW                 |
| 16  | 3394081 | WIRE                  |
| 17  | 693152  | BUMPER, CONSOLE       |
| 18  | 233520  | THRUST WASHER         |
| 19  | 297092  | DRYER SPRING CLIP     |
| 20  | 690997  | RING                  |
| 21  | 3387560 | DOOR HINGE            |
| 21A | 3387559 | DOOR HINGE            |
| 22  | 3387565 | SPRNG-DOOR            |
| 23  | 3391408 | LEVER                 |
| 24  | 3394331 | EXHAUST COVER PLAT... |
| 25  | 3395532 | EXHAUST PIPE          |
| 26  | 3393657 | RSTRNR-BLT            |
| 27  | 3395654 | DRIVE MOTOR ASSEMB... |

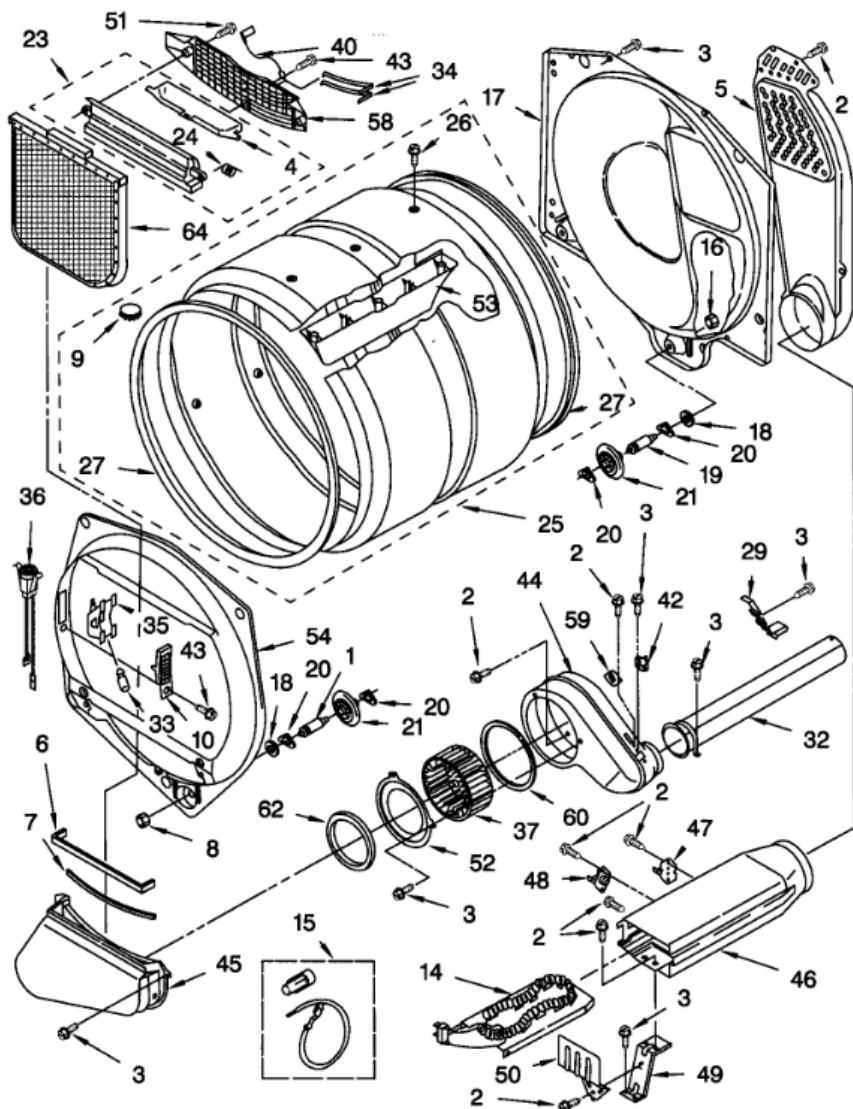
|     |         |                       |
|-----|---------|-----------------------|
| 28  | 49026   | ELBOW                 |
| 29  | 3389729 | MOTOR PULLEY          |
| 30  | 661570  | DRIVE BELT            |
| 31  | 3388600 | CLIP                  |
| 32  | 3387118 | BASE                  |
| 33  | 279393  | TERMINAL BLOCK KIT    |
| 34  | 98129   | SCREW                 |
| 35  | 3395534 | EXHAUST PIPE          |
| 37  | 3395535 | EXHAUST PIPE          |
| 38  | 3390663 | SCREW                 |
| 39  | 3388674 | BRACKET               |
| 40  | 3357011 | SCREW                 |
| 41  | 3392266 | LID SWITCH KIT        |
| 44  | 3387242 | FRONT PANEL SEAL      |
| 46  | 3388229 | CLIP, TOE PANEL LO... |
| 47  | 8066045 | DOOR                  |
| 48  | 694091  | SCREW                 |
| 49  | 697221  | DOOR                  |
| 49A | 697222  | DOOR AL               |
| 49B | 3977763 | DOOR                  |
| 50  | 691581  | SWITCH ACTUATOR       |
| 51  | 697227  | PANEL W               |
| 51A | 697228  | PANEL AL              |
| 51B | 3977761 | PANEL                 |
| 52  | 696144  | DOOR LATCH KIT        |
| 54  | 3393008 | SCREW                 |
| 57  | 3390736 | DOOR SEAL             |
| 58  | 690081  | DOOR LATCH KIT        |
| 60  | 348721  | HANDLE                |
| 60A | 689457  | HANDLE                |
| 60B | 3977746 | HANDLE                |
| 61  | 697215  | TOEPNL WH             |
| 61A | 697216  | TOEPNL AL             |
| 61B | 3977764 | TOE PANEL             |
| 62  | 279818  | KIT-EXHST             |
| 62A | 279819  | KIT-EXHST             |
| 62B | 279925  | KIT-EXHST             |
|     | 3406911 | DRYER RACK            |

Distribuidor Autorizado

SurteRápido.com

Venta de Refacciones  
Electrodomesticas

110.60904990 TAMBOR





110.60904990 TAMBOR

|    |         |                              |
|----|---------|------------------------------|
| 1  | 3399508 | SHAFT                        |
| 2  | 90767   | PHILLIPS PAN-HEAD SCREW      |
| 3  | 3390647 | SCREW                        |
| 4  | 3394984 | DOOR                         |
| 5  | 697354  | DUCT-AIR                     |
| 6  | 697813  | SEAL                         |
| 7  | 697814  | SEAL                         |
| 8  | 3359452 | NUT                          |
| 9  | 3977358 | PLUG                         |
| 10 | 3395196 | DRYER LENS                   |
| 14 | 3387747 | ELEMENT                      |
| 15 | 279457  | WIRE REPLACEMENT KIT         |
| 16 | 3387709 | NUT, HEX                     |
| 17 | 3387809 | REAR BULKHEAD                |
| 18 | 3387459 | WASHER SUPPORT               |
| 19 | 3399509 | SHAFT                        |
| 20 | 690997  | RING                         |
| 21 | 3396801 | SUPPORT                      |
| 23 | 3394985 | LINT SCREEN HOUSING ASSEMBLY |
| 24 | 3394986 | SPRING                       |
| 25 | 697282  | DRUM ASSEMBLY                |
| 26 | 697777  | SCREW                        |
| 27 | 697694  | SEAL                         |
| 29 | 3395536 | CLIP                         |
| 32 | 3402715 | EXHAUST PIPE                 |
| 33 | 3406125 | LIGHT BULB                   |
| 34 | 3387223 | ELECTRODE                    |
| 35 | 3406907 | REFLECTOR                    |
| 36 | 3406931 | SOCKET                       |
| 37 | 697772  | BLOWER WHEEL                 |
| 40 | 3392258 | WIRE                         |
| 42 | 3977706 | THERMOSTAT                   |
| 43 | 487909  | SCREW, 8-18 X 1/2            |



|    |         |                            |
|----|---------|----------------------------|
| 44 | 697363  | HOUSING                    |
| 45 | 3390531 | DUCT LINT                  |
| 46 | 3392537 | BOX                        |
| 47 | 3398671 | THERMAL CUT-OFF FUSE KIT   |
| 48 | 3390291 | HIGH-LIMIT THERMOSTAT      |
| 49 | 697700  | BRACKET                    |
| 50 | 697699  | HEATER SHIELD              |
| 51 | 3387230 | SCREW                      |
| 52 | 697771  | COVER PLATE                |
| 53 | 697693  | BAFFLE DRUM                |
| 54 | 697563  | BULKHEAD                   |
| 58 | 697767  | GRILL                      |
| 59 | 3390719 | NON-RESETTING THERMAL FUSE |
| 60 | 697770  | SEAL                       |
| 62 | 697769  | SEAL                       |
| 64 | 3390721 | LINT SCREEN                |
|    | 3406911 | DRYER RACK                 |