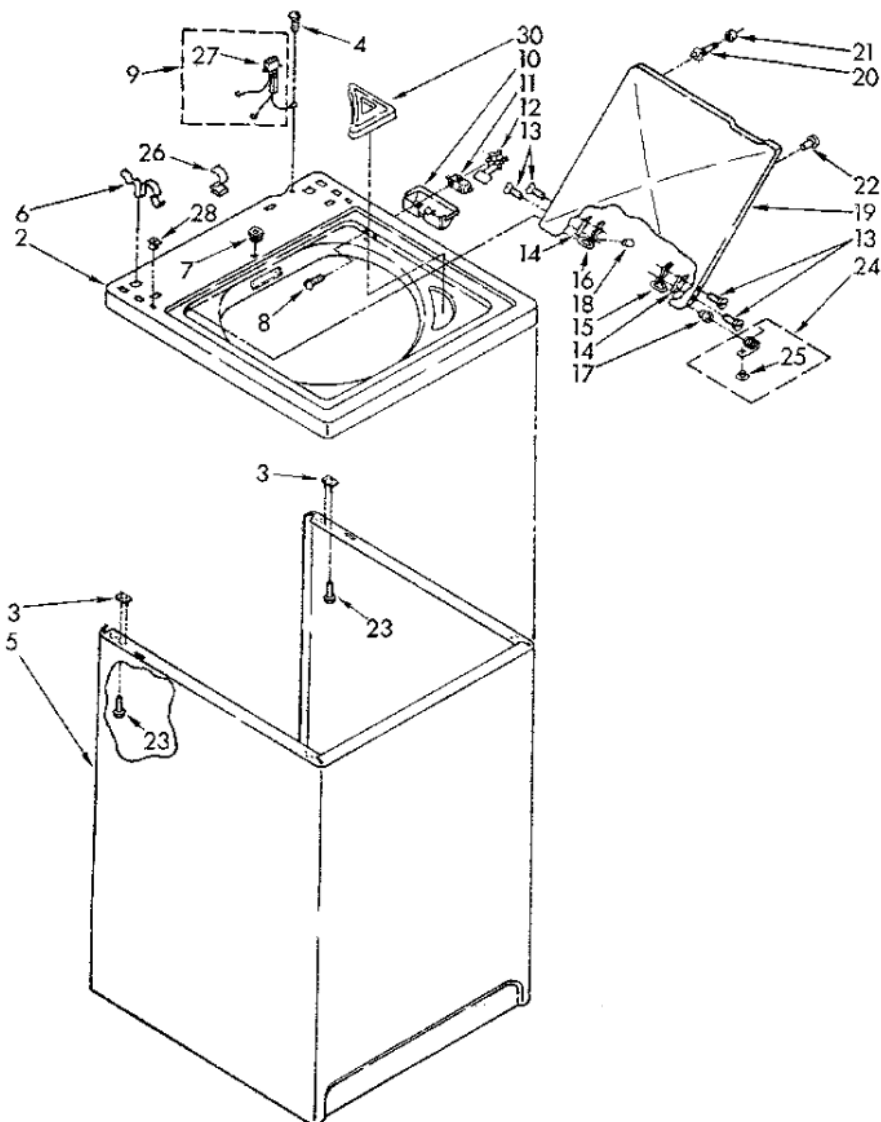


Distribuidor Autorizado

SurteRápido.com

Venta de Refacciones
Electrodomesticas

110.82983820 GABINETE





110.82983820 GABINETE

2	N/P	ENGINE
2A	388912	TOP WP
2B	388913	TOP
2C	388914	TOP TO P
2D	388915	TOP PL P
3	62750	CABINET SPACER
4	687128	SCREW
5	N/P	ENGINE
5A	63424	CABNT W
5B	63425	CABNT AL
5C	63426	CABNT TO
5D	63427	CABNT PL
6	62780	CLIP
7	98460	PUSH ON NUT
8	354764	SCREW
9	388193	HARNESS
10	359231	LID SWITCH SHIELD
11	661517	LID SWITCH KIT
11A	N/P	ENGINE
11B	N/P	ENGINE
11C	N/P	ENGINE
12	357347	ACTUATOR
13	3351355	LID HINGE MOUNTING SCREW
14	21097	PAD, LID HINGE
15	54583	LID HINGE MOUNTING SCREW
16	54584	HINGE
17	21258	BEARING, LID HINGE
18	19119	BUMPER, LID HINGE
19	N/P	ENGINE
19A	63076	LID
19B	63077	LID
19C	385440	LID
19D	385441	LID

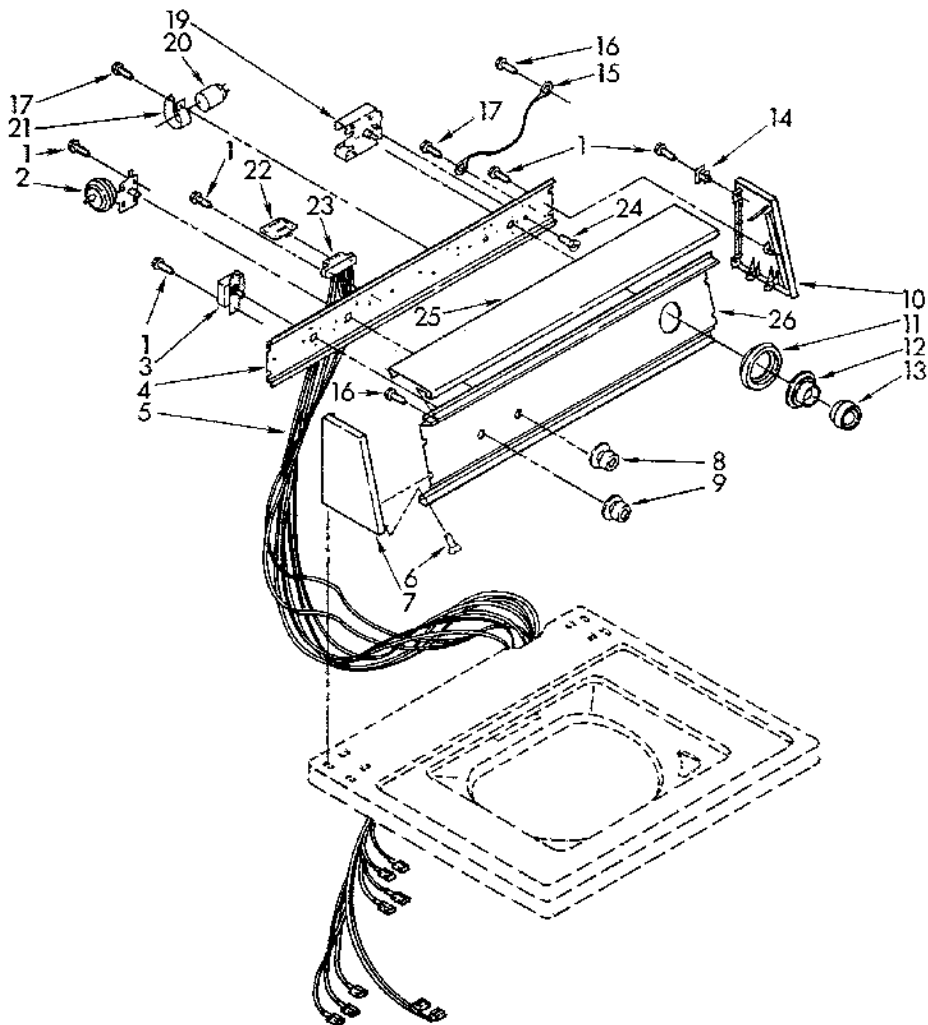
20	357141	ACTUATOR
21	354255	BUMPER
22	354241	BUMPER, LID
23	384435	SCREW
24	N/P	ENGINE
24A	53749	SPRING
24B	53748	SPRING
25	54690	PLUG
26	90016	CLIP
27	62888	PLUG
28	357213	NUT
30	N/P	ENGINE
30A	63401	BEZEL
30B	63402	BEZEL
30C	387028	BEZEL
30D	387029	BEZEL

Distribuidor Autorizado

SurteRápido.com

Venta de Refacciones
Electrodomesticas

110.82983820 TABLERO





110.82983820 TABLERO

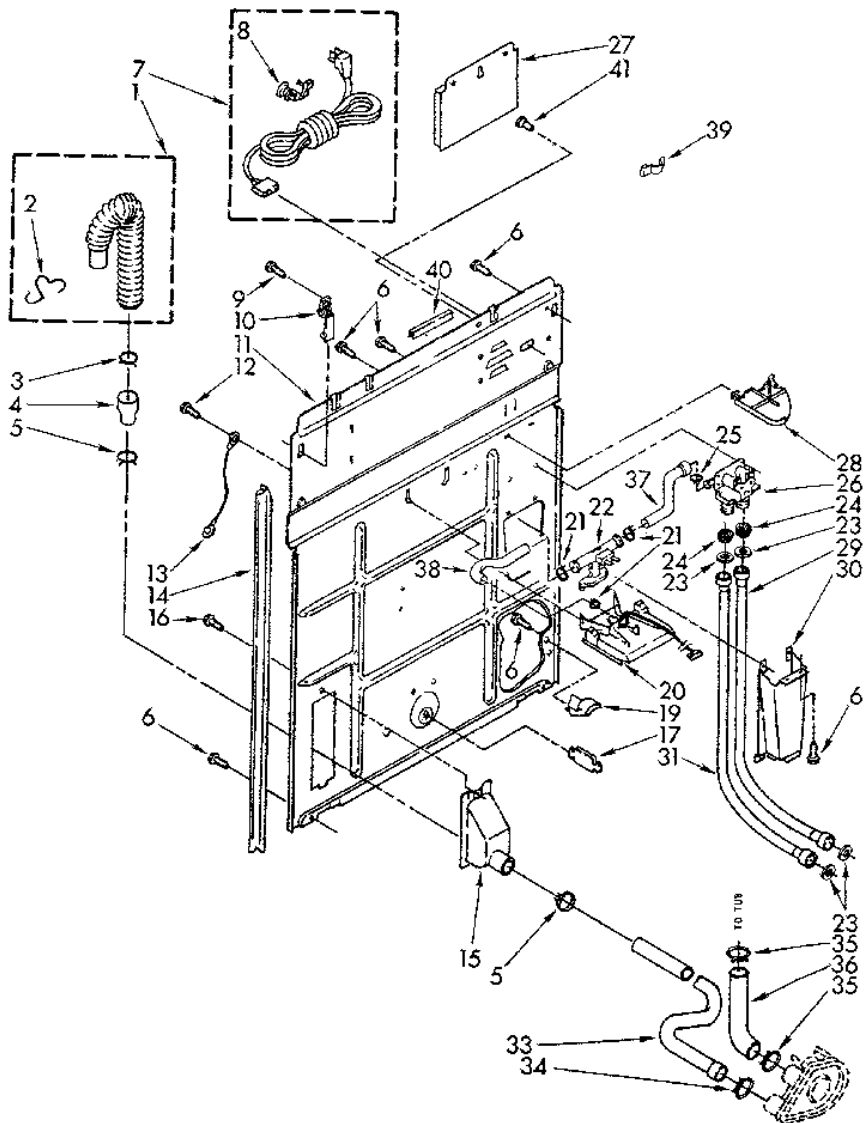
1	90767	PHILLIPS PAN-HEAD SCREW
2	3347891	WATER LEVEL SWITCH
3	661546	TEMPERATURE SWITCH
4	3349217	BRACKET
5	3351383	WIRE HARNESS
6	388326	SCREW, CONSOLE
7	388203	ENDCAP
8	388026	CONTROL KNOB
9	388026	CONTROL KNOB
10	388209	ENDCAP
11	388257	TRIM RING
12	387996	DIAL
13	387987	TIMER KNOB
14	689559	CLIP, END CAP
15	388853	GROUND WIRE
16	359625	SCREW
17	90864	SCREW
19	3351119	TIMER
20	357021	CAPACITOR
21	357030	CLAMP
22	3351117	MICROCOMPUTER
23	388260	CONNECTOR
24	96435	SCREW
25	3349268	CONTROL PANEL
26	3351508	CONTROL PANEL

Distribuidor Autorizado

SurteRápido.com

Venta de Refacciones
Electrodomesticas

110.82983820 MANGUERAS



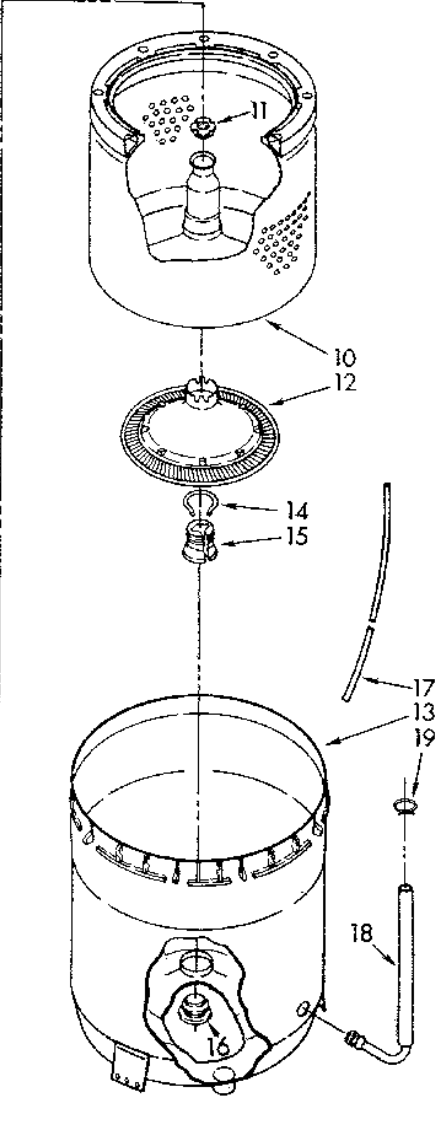
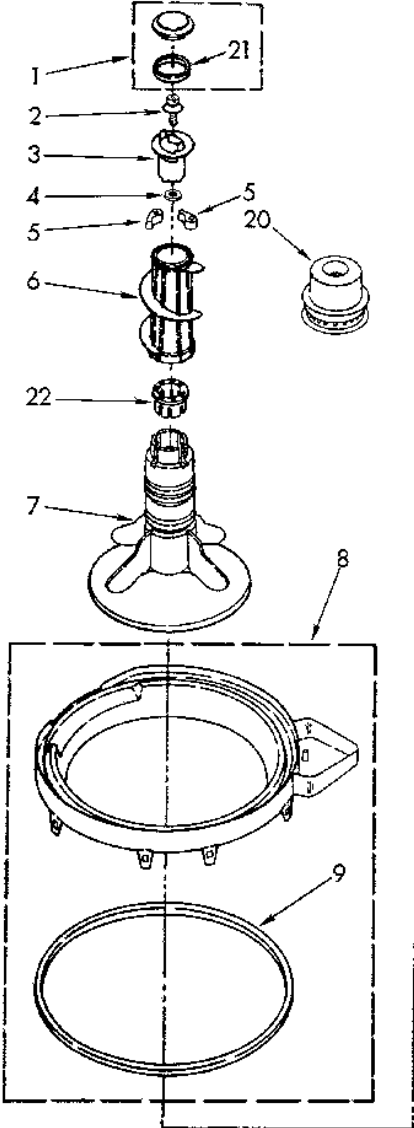


110.82983820 MANGUERAS

1	387325	DRAIN HOSE
1A	388418	DRAIN HOSE
2	3350222	RETAINER
3	371504	28 HOSECLAMP
4	384496	DRAIN HOSE COUPLING
5	356138	HOSE CLAMP
6	62863	SCREW
7	62734	POWER CORD
8	63848	POWER CORD STRAIN RELIEF
9	9416643	SCREW
10	387402	HINGE PANEL
11	3352315	REAR PANEL
12	690989	SCREW
13	364089	GROUND WIRE
14	62747	PAD PANEL
15	3349018	CONNECTOR
16	687128	SCREW
17	63290	SUPPORT
19	63162	PIN
20	387606	FILL SPOUT
21	660635	CLAMP
22	3352282	SENSOR-ETC
23	16123	WASHER
24	96160	SCREEN, FILTER
25	660632	CLAMP
26	388328	INLET WATER VALVE KIT
27	3352312	RACK
28	3348424	SHIELD
29	387871	HOSE, INLET
30	64219	BRACKET
31	660028	HOSE, INLET
33	3348552	PUMP HOSE
34	660628	CLAMP, HOSE

35	371502	CLAMP, HOSE
36	62731	HOSE
37	3349365	SENSOR HOSE
38	3349366	HOSE-ETC
39	3347812	CLIP
40	303294	PROTECTOR
41	3389802	FASTENER

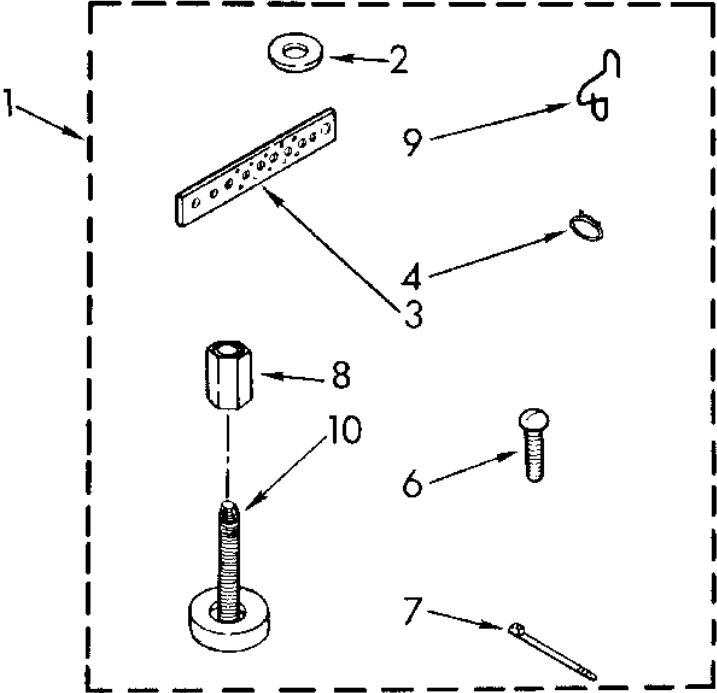
110.82983820 TINAS





110.82983820 TINAS

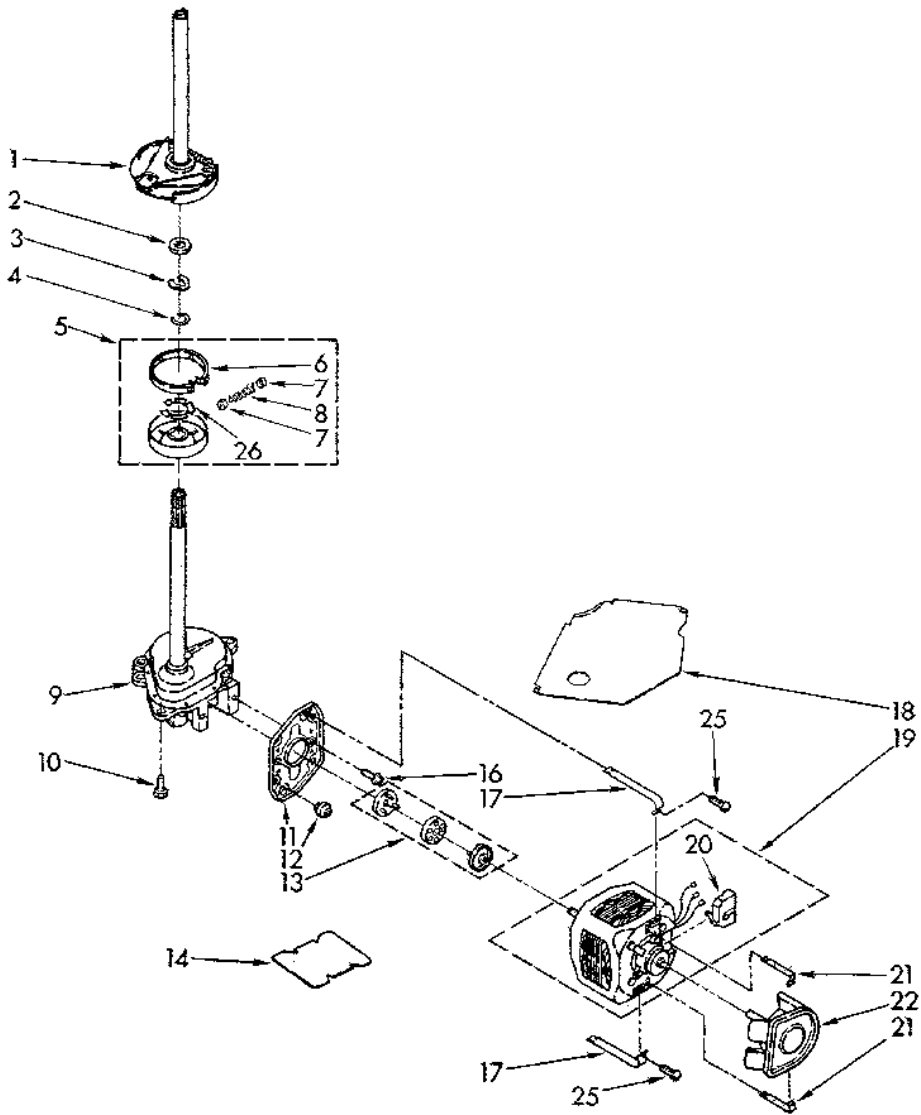
1	63973	AGITATOR CAP
2	358237	SCREW
3	3351000	AGITATOR CAM ASSEMBLY
4	357574	O-RING
5	387091	AGITATOR DOGS
6	389141	TOP HALF OF AGITATOR ASSEMBLY
7	389386	AGITATOR ASSEMBLY
8	63851	TUB RING
9	63852	TUB SEAL
10	64217	BASKET
11	21366	SPANNER NUT
12	62941	FILTER PLUG4
13	388893	OUTER TUB
14	62942	LOCK
15	389140	BLOCK-DRIV
16	383727	GASKET
17	3347777	HOSE
18	63323	HOSE
19	356436	CLAMP
20	63594	FABRIC SOFTENER DISPENSER
21	358912	SEAL-CAP RING
22	3350389	WASHER





110.82983820 PATA

1	387982	MISCELLANEOUS PARTS
2	16123	WASHER
3	22965	GROUND STRAP
4	356138	HOSE CLAMP
6	132848	SCREW
7	3347868	TIE WIRE
8	62739	NUT, JAM
9	3350222	RETAINER
10	389102	FOOT, LEVELING

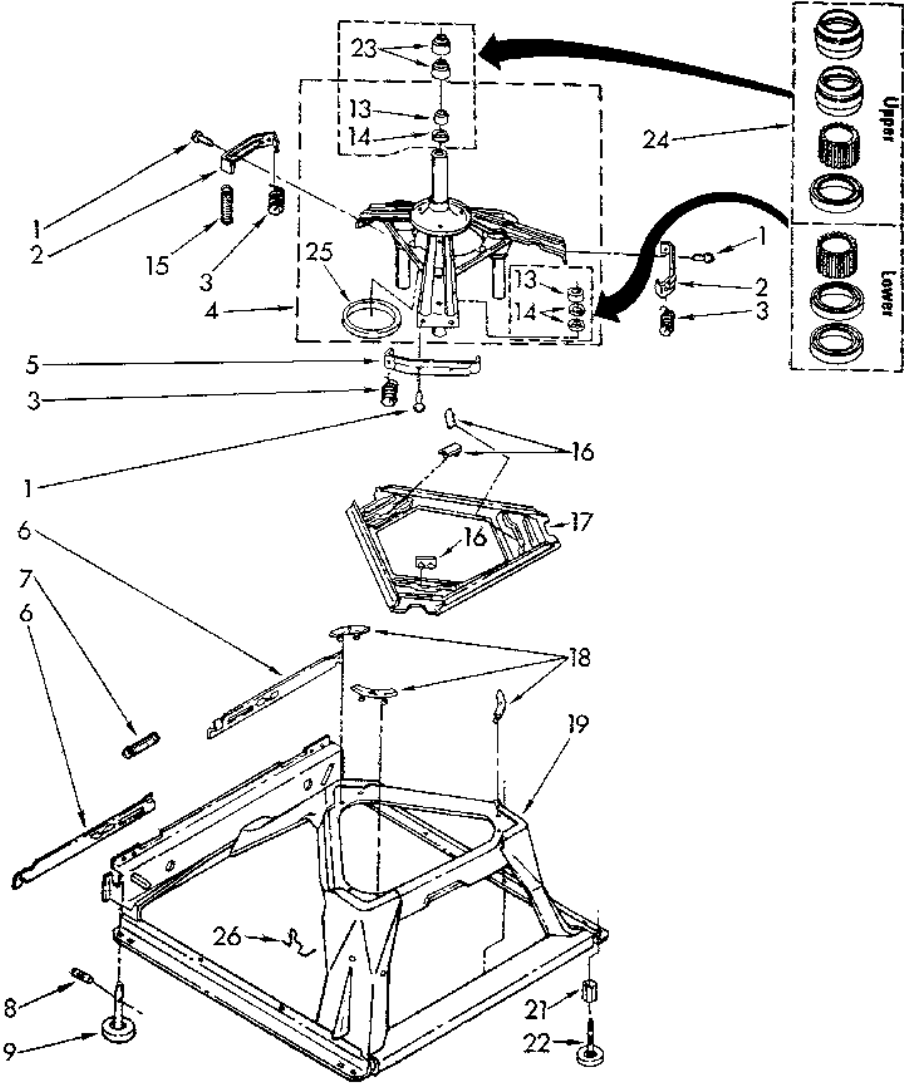




110.82983820 MOTOR

1	388952	DRIVE BASKET
2	63292	WASHER
3	62697	RING
4	63283	RING
5	3350115	COMPLETE CLUTCH ASEMBLY
6	388190	CLUTCH BAND KIT
7	62646	CAP, CLUTCH SPRING
8	387712	CLUTCH BAND KIT
9	389246	RECONDITIONED GEARCASE
10	62735	SCREW
11	62611	PLATE
12	62691	MOTOR GROMMET
13	661560	COUPLER
14	3351341	SHIELD
16	98062	SCREW
17	3349637	RETAINER, MOTOR
18	3349282	MOTOR SHIELD
19	3349644	MOTOR-DRVE
20	62850	MOTOR SWITCH
21	62700	RETAINER, PUMP
22	3352492	COMPLETE PUMP
25	357640	SCREW
26	3350070	CLIP

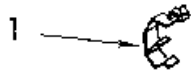
110.82983820 BASE



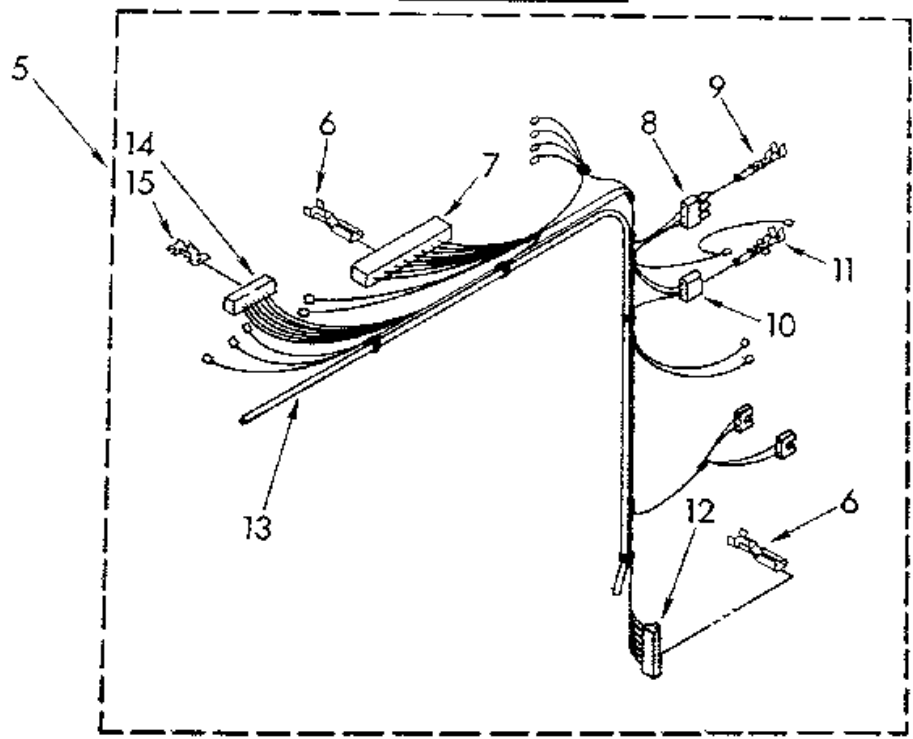


110.82983820 BASE

1	98610	SCREW 8PK
2	64067	BRACKET SPRING
3	63907	SUSPENSION SPRING
4	389350	SUPPORT
5	64065	BRACKET
6	63466	LINK, LEVELING MECHANISM
7	62597	LEVELING SPRING
8	62837	PIN, KNURLED
9	62596	FOOT
13	3347047	CENTER POST UPPER DRIVE BEARING
14	357409	TRANSMISSION SHAFT SEAL
15	388492	SPRING
16	62568	PADS
17	389299	SKATE PLT
18	62602	PAD-SUSPEN
19	389149	BASE
21	62739	NUT, JAM
22	389102	FOOT, LEVELING
23	356934	SEAL
24	285203	CENTERPOST BEARINGS AND SEALS
25	63134	RING
26	63806	RETAINER



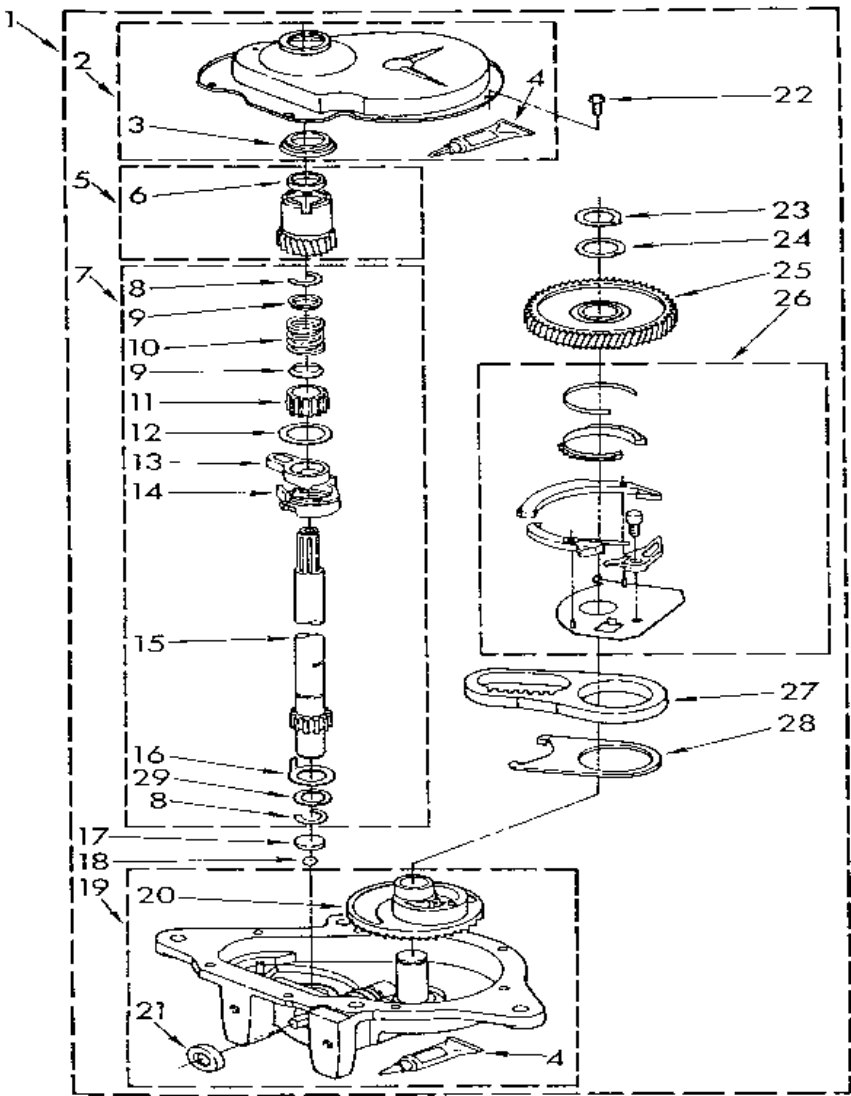
WIRING HARNESS





110.82983820 HARNES

1	3349557	RETAINER, HARNESS
2	62749	CLIP
3	387551	CLIP
4	63523	PROTECTOR
5	3351383	WIRE HARNESS
6	352088	TERMINAL
7	352089	CONNECTOR
8	62889	LID SWITCH RECEPTACLE
9	94614	SKT TERM
10	353424	PLUG
11	94613	TERMINAL
12	62505	CONNECTOR
13	3347777	HOSE
14	3347243	CONNECTOR
15	340795	TERMINAL





110.82983820 TRANSMISION

1	389246	RECONDITIONED GEARCASE
2	62685	COVER-GC
3	3347188	GEAR CASE COVER SEAL
4	285195	SEALER
5	63320	GEAR AND PINION
6	356427	SEAL SHAFT
7	389387	SHAFT
8	90369	RING, RETAINING
9	62677	RETAINER, SPRING
10	62676	SPRING
11	63273	SHAFT
12	62619	WASHER
13	62580	AGITATOR CAM
14	62581	AGITATOR CAM
15	389231	SHAFT
16	62618	WASHER
17	16018	BEARING
18	85529	BEARING
19	389229	GEARCASE
20	62528	GEAR
21	285352	SEAL
22	90864	SCREW
23	95082	RING
24	285292	WASHER
25	62570	GEAR AND PINION
26	388253	NEUTRL PAK
27	62534	RACK
28	62621	ACTUATOR
29	388815	WASHER