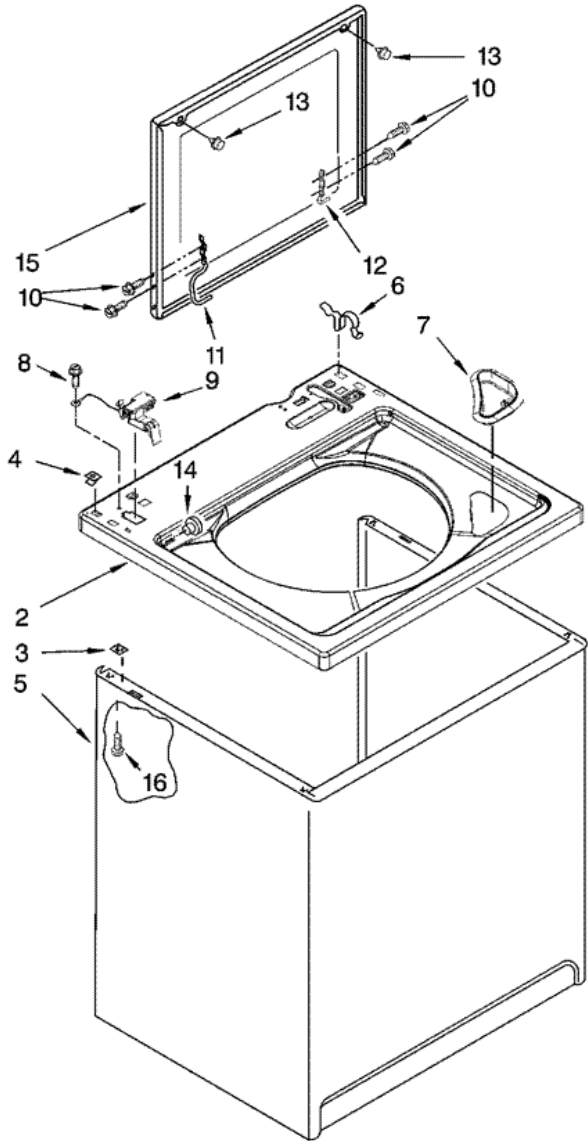


1CWTW5200VQ1 GABINETE





1CWTW5200VQ1 GABINETE

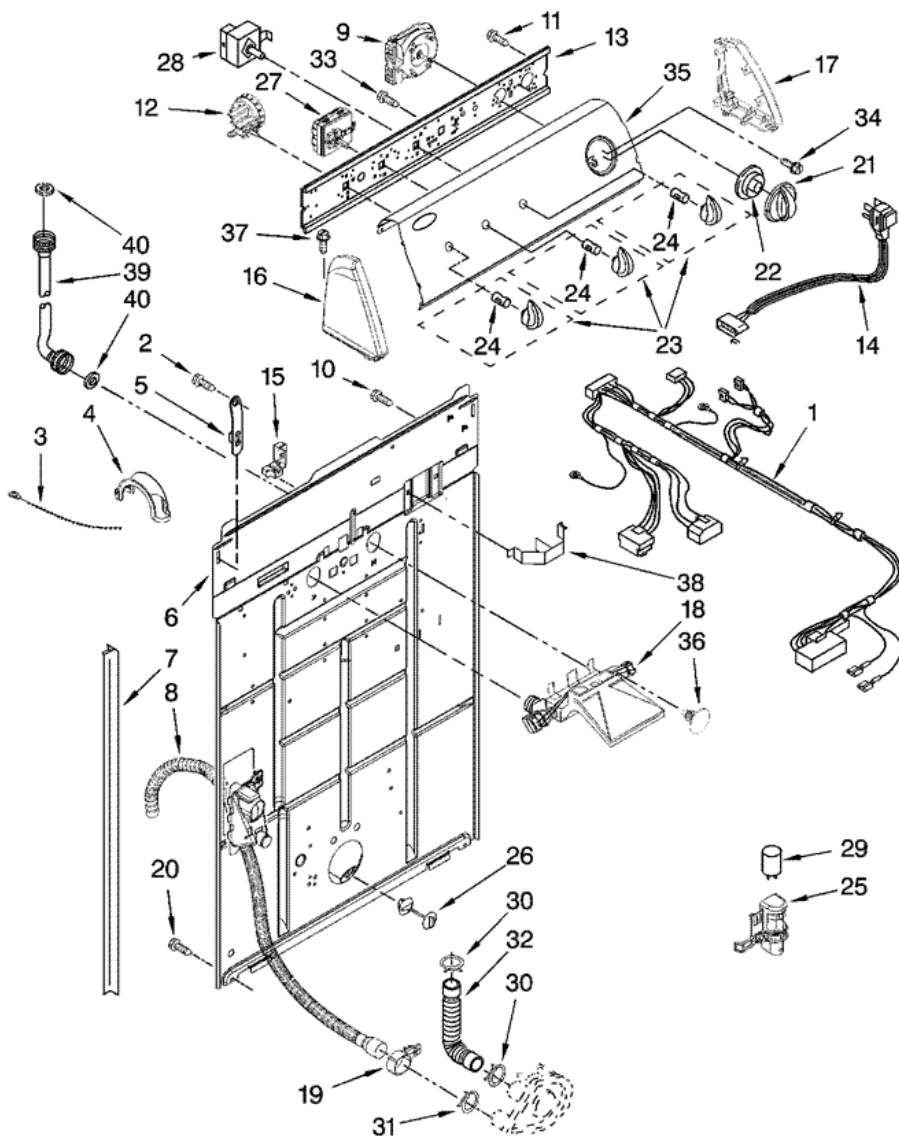
| | | |
|----|-----------|--------------------------------------|
| 2 | W10194570 | TOP |
| 3 | 62750 | SPACER, CABINET TO TOP (4) |
| 4 | 357213 | NUT, PUSH-IN (2) |
| 5 | 63424 | CABINET |
| 6 | 62780 | CLIP, TOP & CABINET & REAR PANEL (2) |
| 7 | W10192089 | DISPENSER, BLEACH |
| 8 | 3351614 | SCREW, GROUND |
| 9 | 8318084 | SWITCH, LID |
| 10 | W10119828 | SCREW, LID HINGE MOUNTING (4) |
| 11 | W10225136 | HINGE, LID (L.H.) |
| 12 | 91770 | HINGE, LID (R.H.) |
| 13 | 9724509 | BUMPER, LID (2) |
| 14 | 8319539 | BEARING, LID HINGE (2) |
| 15 | W10171313 | LID |
| 16 | W10165554 | SCREW, 10-16 X 3/8 (4) |

Distribuidor Autorizado

SurteRápido.com

Venta de Refacciones
Electrodomesticas

1CWTW5200VQ1 TABLERO



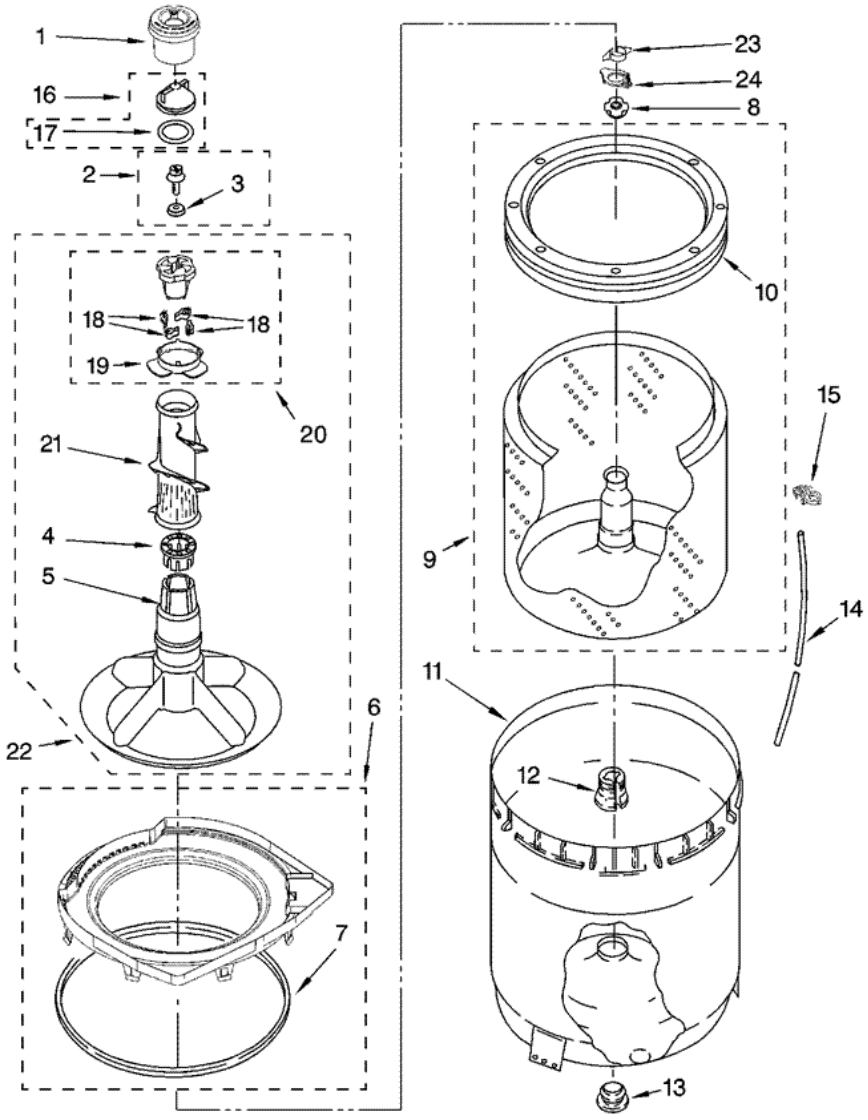


1CWTW5200VQ1 TABLERO

| | | |
|----|-----------|---|
| 1 | W10211260 | HARNESS, WIRING (FOR DETAIL SEE PAGES 9 & 10) |
| 2 | 9740848 | SCREW, 8-18 X 1/2 |
| 3 | 3347868 | CABLE TIE |
| 4 | 8577378 | U-BEND, DRAIN HOSE |
| 5 | 8568314 | STRAP, CONSOLE (2) |
| 6 | W10194450 | PANEL, REAR |
| 7 | 62747 | PAD, REAR PANEL |
| 8 | W10189267 | DRAIN HOSE ASSEMBLY (INCLUDES ITEM 19) |
| 9 | W10175553 | TIMER, CONTROL (60 HZ.) |
| 10 | 3351614 | SCREW, GROUND |
| 11 | 90767 | SCREW, 8-18 X 3/8 |
| 12 | 8577845 | SWITCH, WATER LEVEL |
| 13 | 8544893 | BRACKET, CONTROL |
| 14 | 8578842 | CORD, POWER (INCLUDES ITEM 15) |
| 15 | 3952821 | STRAIN RELIEF, POWER CORD |
| 16 | 8271365 | CAP, END (L.H.) |
| 17 | 8271359 | CAP, END (R.H.) |
| 18 | W10144820 | VALVE, WATER INLET W/THERMISTOR |
| 19 | 8541668 | CLAMP, HOSE |
| 20 | 62863 | SCREW, 10-16 X 3/8 |
| 21 | 8566022 | KNOB, TIMER |
| 22 | 8566018 | DIAL, TIMER |
| 23 | 8565944 | KNOB, CONTROL |
| 24 | 8536939 | CLIP, KNOB |
| 25 | 8318046 | CLIP, CAPACITOR |
| 26 | 8519200 | SUPPORT, REAR PANEL |
| 27 | W10184148 | SWITCH, WATER TEMPERATURE (ATC) |
| 28 | 3949187 | SWITCH, ROTARY |
| 29 | 8572717 | CAPACITOR, MOTOR START |
| 30 | 3363366 | CLAMP, HOSE |
| 31 | 8317496 | CLAMP, HOSE |
| 32 | 3951449 | HOSE, PUMP TO TUB (INCLUDES ITEM 30) |
| 33 | 3400073 | SCREW, GROUND |

| | | |
|----|-----------|------------------------------------|
| 34 | 3400818 | SCREW, TIMER MOUNTING |
| 35 | W10196922 | PANEL, CONSOLE |
| 36 | W10000080 | CLIP, PUSH-IN RETAINER |
| 37 | 388326 | SCREW, CONSOLE (PANEL TO TOP) |
| 38 | 8055003 | CLIP, HARNESS & PRESSURE HOSE |
| 39 | 8571378 | HOSE, WATER INLET (2) (HOT WATER) |
| 39 | W10194208 | HOSE, WATER INLET (2) (COLD WATER) |
| 40 | W10242307 | WASHER, WATER INLET HOSE (4) |

1CWTW5200VQ1 TINAS

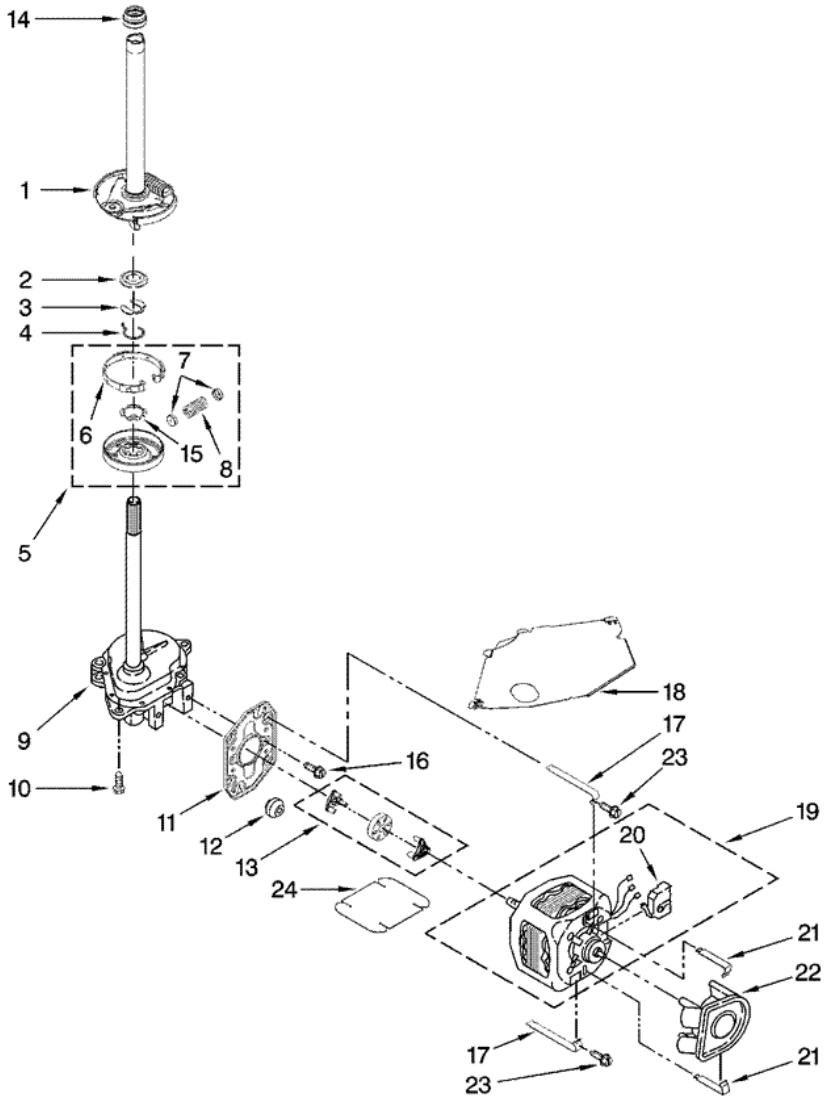




1CWTW5200VQ1 TINAS

| | | |
|----|-----------|----------------------------|
| 1 | 8575076 | DISPENSER, FABRIC SOFTENER |
| 2 | 358237 | SCREW & WASHER |
| 3 | 3949550 | WASHER |
| 4 | 3951608 | SPACER, THRUST |
| 5 | 3951632 | AGITATOR |
| 6 | W10168523 | TUB RING |
| 7 | 3359585 | GASKET, TUB RING |
| 8 | 21366 | NUT, SPANNER |
| 9 | 8526016 | BASKET & BALANCE RING |
| 10 | 387240 | BALANCE RING |
| 11 | 63849 | TUB |
| 12 | 389140 | BLOCK, DRIVE |
| 13 | 383727 | GASKET, CENTER POST |
| 14 | 3347780 | HOSE, PRESSURE SWITCH |
| 15 | 2219077 | CLIP, PRESSURE SWITCH HOSE |
| 16 | 3354733 | CAP, BARRIER |
| 17 | W10072840 | SEAL, INNER CAP |
| 18 | 3366877 | DOG, AGITATOR (4) |
| 19 | 3952374 | BEARING, DRIVEN CAM |
| 20 | 3951682 | CAM DRIVEN |
| 21 | 3363003 | CLOTHES MOVER |
| 22 | 3951744 | AGITATOR (COMPLETE) |
| 23 | 3354845 | CLIP, AGITATOR |
| 24 | 8543666 | WASHER, AGITATOR |

1CWTW5200VQ1 MOTOR





1CWTW5200VQ1 MOTOR

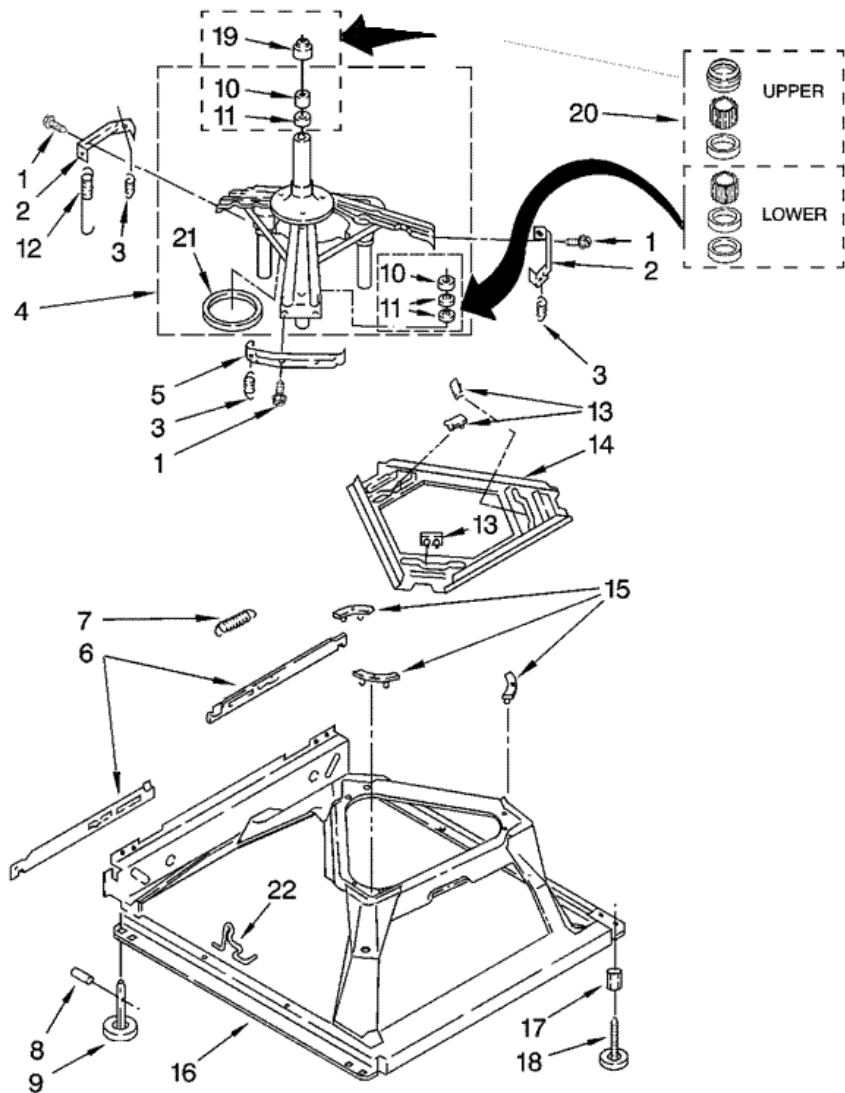
| | | |
|----|-----------|--|
| 1 | 388952 | BRAKE & DRIVE TUBE (COMPLETE) |
| 2 | 63292 | WASHER, SPIN TUBE THRUST |
| 3 | 62697 | RING, SPIN TUBE SUPPORT |
| 4 | 63283 | RING, RETAINER |
| 5 | 3951311 | CLUTCH (COMPLETE) |
| 6 | 3951308 | BAND & LINING, CLUTCH (INCLUDES ITEMS 7 & 8) |
| 7 | 62646 | CAP, CLUTCH SPRING (2) |
| 8 | 3946792 | SPRING, CLUTCH |
| 9 | 3360630 | GEARCASE (COMPLETE) |
| 10 | 3357334 | SCREW, GEARCASE TO BASE (3) |
| 11 | 62611 | PLATE, MOTOR MOUNT TO GEARCASE |
| 12 | 62691 | GROMMET, MOTOR (4) |
| 13 | 3364003 | COUPLING, MOTOR AND ISOLATION |
| 14 | 8577374 | SEAL |
| 15 | 3355454 | CLIP, ANTI-RATTLE |
| 16 | 3400516 | SCREW |
| 17 | W10086010 | RETAINER, MOTOR (2) |
| 18 | 3362089 | SHIELD, TUB TO MOTOR |
| 19 | 8528158 | MOTOR, MAIN DRIVE |
| 20 | 3952056 | SWITCH, MAIN DRIVE MOTOR |
| 21 | 8546127 | RETAINER, PUMP (2) |
| 22 | 3363394 | PUMP (COMPLETE) |
| 23 | 3387485 | SCREW, 10-16 X 5/8 |
| 24 | 3946532 | SHIELD, MOTOR |

Distribuidor Autorizado

SurteRápido.com

Venta de Refacciones
Electrodomesticas

1CWTW5200VQ1 BASE

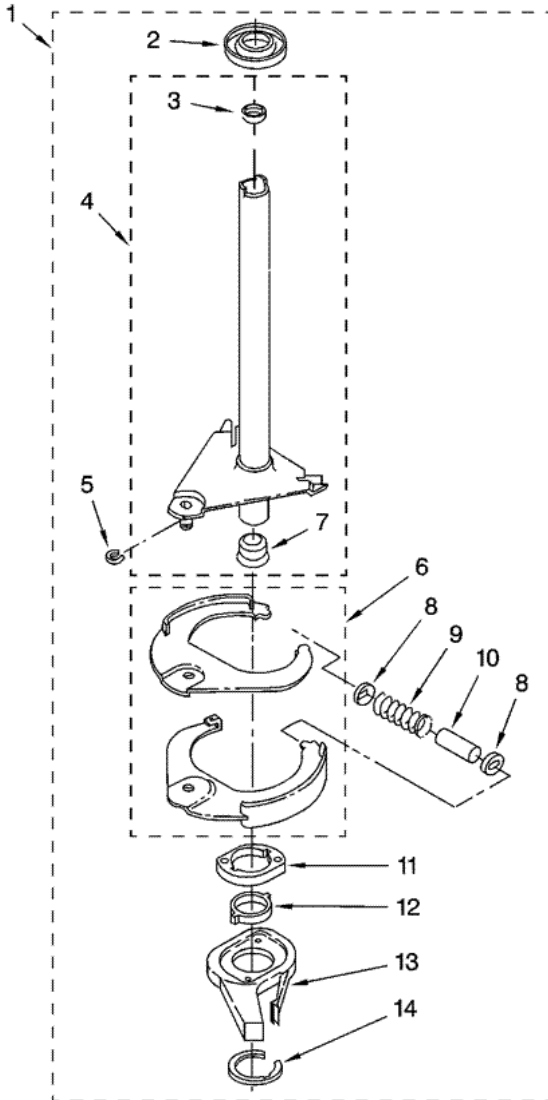




1CWTW5200VQ1 BASE

| | | |
|----|-----------|---------------------------------------|
| 1 | 3400076 | SCREW, BRACKET MOUNTING (10-32 X 5/8) |
| 2 | 64067 | BRACKET, SPRING OUTER (2) |
| 3 | 63907 | SPRING SUSPENSION, (3) |
| 4 | 8575214 | SUPPORT & BRAKE, TUB |
| 5 | 64065 | BRACKET, SPRING OUTER (L.F.) |
| 6 | 63466 | LINK, LEVELING MECHANISM (2) |
| 7 | 62597 | SPRING, LEVELING MECHANISM |
| 8 | 62837 | PIN, KNURLED |
| 9 | 62596 | FOOT, REAR (2) |
| 10 | 8546455 | BEARING, CENTERPOST (2) |
| 11 | 357409 | SEAL, CENTERPOST (3) |
| 12 | 8534035 | SPRING, COUNTERWEIGHT |
| 13 | 62568 | PAD, PLATE |
| 14 | 3946509 | PLATE, SUSPENSION (INCLUDES ITEM 13) |
| 15 | 3363660 | PAD, BASE |
| 16 | 3946512 | BASE ASSEMBLY |
| 17 | 3359452 | NUT, LOCK (2) (3/8-16) |
| 18 | W10001130 | FOOT, FRONT (2) |
| 19 | 8577376 | SEAL, CENTERPOST |
| 20 | 285203 | CENTERPOST BEARING KIT |
| 21 | 63134 | RING, SOUND DEADENING |
| 22 | W10145155 | RETAINER, SUSPENSION SPRING |

1CWTW5200VQ1 FLECHA HUECA

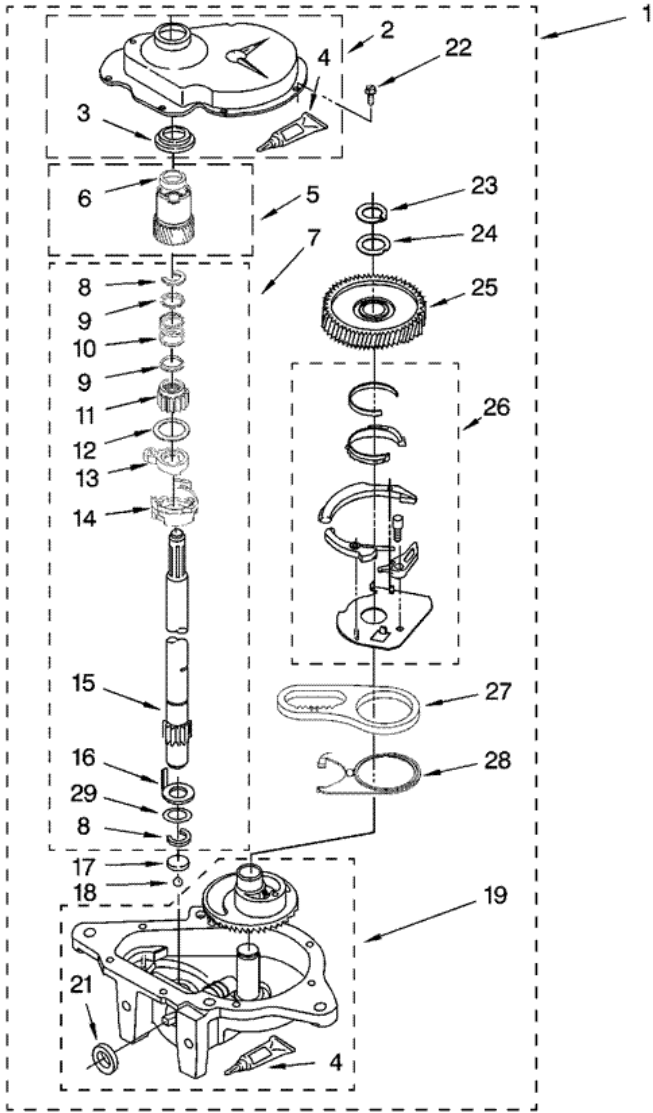




1CWTW5200VQ1 FLECHA HUECA

| | | |
|----|---------|---|
| 1 | 388952 | BRAKE AND DRIVE TUBE (COMPLETE) |
| 2 | 62658 | RING, THRUST |
| 3 | 356427 | SEAL, DRIVE TUBE |
| 4 | 64027 | TUBE, BASKET DRIVE (INCLUDES ILLUS. 3, 4, 5, & 9) |
| 5 | 64035 | RING, RETAINING |
| 6 | 64232 | SHOE, BRAKE (2) |
| 7 | 62703 | ``T`` BEARING, SPIN TUBE |
| 8 | 3353956 | CAP, BRAKE SPRING (2) |
| 9 | 387806 | SPRING, BRAKE |
| 10 | 3355360 | SLEEVE, BRAKE SPRING |
| 11 | 661516 | CAM, BRAKE RELEASE |
| 12 | 63022 | SLEEVE, CAM |
| 13 | 64194 | DRIVER, BRAKE CAM |
| 14 | 90368 | RING, RETAINING |

1CWTW5200VQ1 TRANSMISION





1CWTW5200VQ1 TRANSMISION

| | | |
|----|---------|--------------------------------------|
| 1 | 3360630 | GEARCASE (COMPLETE) |
| 2 | 285202 | COVER, GEARCASE |
| 3 | 3349985 | SEAL, GEARCASE COVER |
| 4 | 285195 | SEALER, GASKET (20 FL. OZ.) (6 ML) |
| 5 | 63320 | PINION, SPIN (INCLUDES ILLUS. 25) |
| 6 | 356427 | SEAL, SPIN PINION |
| 7 | 389387 | SHAFT, AGITATOR (COMPLETE) |
| 8 | 90369 | RING, RETAINING (2) |
| 9 | 62677 | RETAINER, SPRING |
| 10 | 62676 | SPRING, AGITATE |
| 11 | 63273 | GEAR, AGITATE (INCLUDES 15 AND 29) |
| 12 | 62619 | WASHER, AGITATE GEAR |
| 13 | 62580 | CAM FOLLOWER (INCLUDES 14) |
| 14 | 62581 | CAM, AGITATE (INCLUDES 13) |
| 15 | 285509 | SHAFT, AGITATOR (INCLUDES 11 AND 29) |
| 16 | 62618 | WASHER, CAM THRUST |
| 17 | 16018 | BEARING, THRUST |
| 18 | 85529 | BALL, BEARING |
| 19 | 389230 | BOTTOM AND PINION, GEARCASE |
| 21 | 285352 | SEAL, THRUST PLUG |
| 22 | 3351614 | SCREW, GEARCASE COVER, MOUNTING (8) |
| 23 | 3362552 | RING, RETAINING |
| 24 | 285735 | WASHER KIT, THRUST |
| 25 | 62570 | GEAR, SPIN |
| 26 | 388253 | NEUTRAL ASSEMBLY |
| 27 | 3349296 | RACK, CONNECTING |
| 28 | 62621 | ACTUATOR, SHIFT |
| 29 | 388815 | WASHER, INTERMEDIATE |