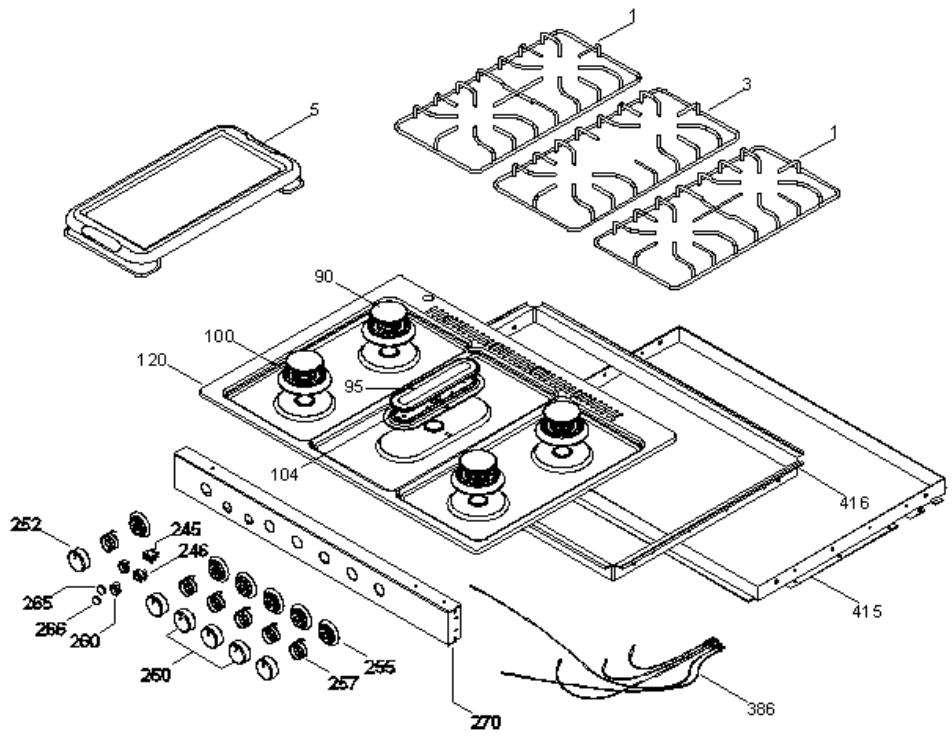
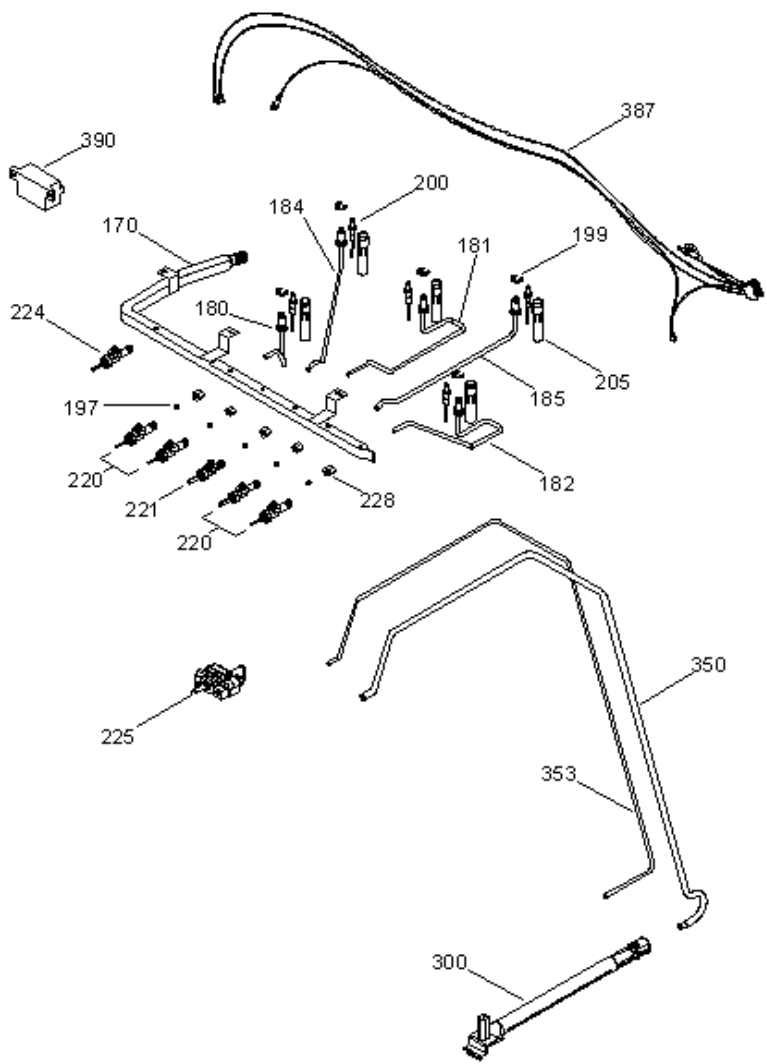


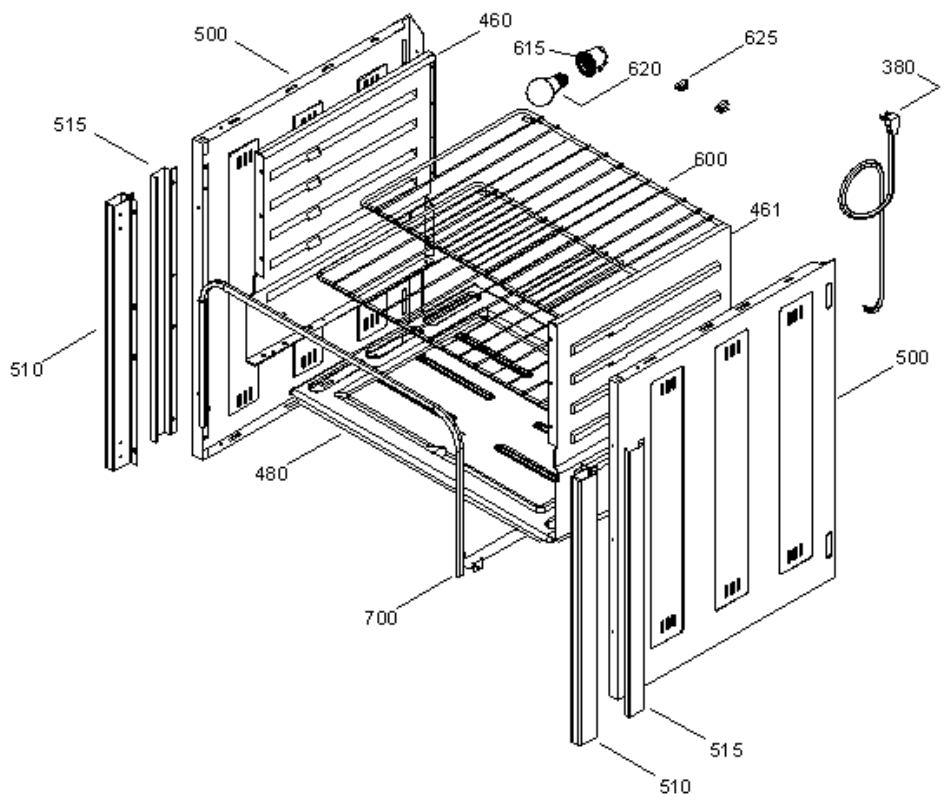
1D7631B3A

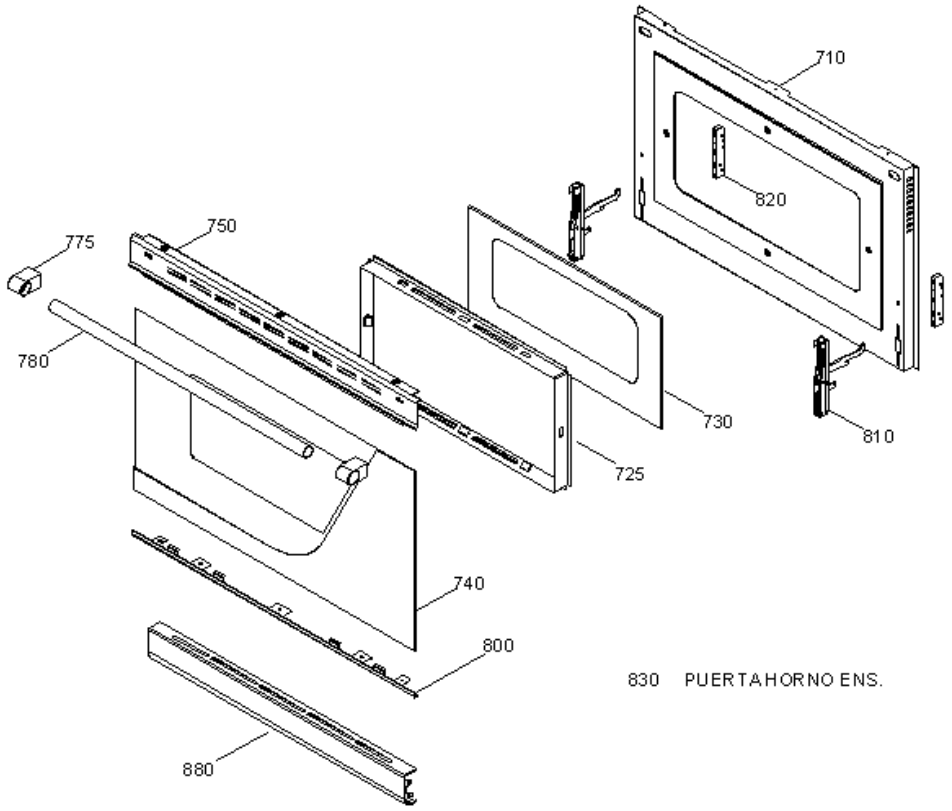


1D7631B3A



1D7631B3A





830 PUERTA HORNO ENS.



1D7631B3A

1	183D9108P001NE	PARRILLA SUPERIOR (NGA.) (S/P)
3	183D9109P001NE	PARRILLA SUP. CENTRAL (NGA.) (S/P)
5	183D8775G001NE	COMAL TROQ. (NGO.) (S/P)
90	MAL410	TAPA QUEMADOR SUP. 3" (NGA.)
95	MAL412	TAPA QUEMADOR CENTRAL (NGA.)
100	MAL407	QUEMADOR SUPERIOR 3"
104	181D7509P004	QUEMADOR SUPERIOR CENTRAL (S/P)
120	181D8658P002BL	CUBIERTA SUPERIOR (BCA.) DESCONTINUADO
170	181D7662G010	TUBO DE VALVULAS (S/P)
180	181D7664G001	TUBO QUEMADOR FRONTAL IZQ. DESCONTINUADO
181	181D8668G001	TUBO QUEMADOR CENTRAL DESCONTINUADO
182	183D8332G001	TUBO QUEMADOR FRONTAL DER. (S/P)
184	183D8332G002	TUBO QUEMADOR POST. IZQ. (S/P)
185	181D7668G001	TUBO QUEMADOR POST. DER. DESCONTINUADO
197	245B1239P002	FERULA VALVULA QUEMADOR (S/P)
199	263B6380P002	CLIP BUJIA (S/P)
200	317B6260P001	BUJIA QUEMADOR SUPERIOR (S/P)
205	245B1877G001	REGULADOR DE AIRE DESCONTINUADO
220	MAL166	VALVULA QUEMADOR SUP. 3"
221	MAL166	VALVULA QUEMADOR SUP. 4"
225	223C3410G002	TERMOSTATO MODULANTE (S/P)
228	245B1238P002	TUERCA DE COMPRESION (S/P)
245	181D8365P043	INTERRUPTOR ENCEN. BUJIA (ALM) (S/P)
246	317B6617P007	INTERRUPTOR LUZ HNO. (ALM.) (S/P)
250	223C3388P013	PERILLA QUEMADOR BCA. (S/P)
252	223C3388P010	PERILLA TERMOSTATO BCA. (S/P)
255	221C3601P001	BABERO PERILLA QUEMADOR BCA. (S/P)
257	263B6283P002	RESORTE PERILLA (S/P)
260	181D7726P001	BABERO INTERRUPTOR BCO. DESCONTINUADO
265	221C3599P002	TAPA INTERRUPTOR BUJIA BCA. DESCONTINUADO
266	221C3599P005	TAPA INTERRUPTOR FOCO BCA. DESCONTINUADO
270	181D7562P021S	FRENTE PER. BLANCO C/SERIG DESCONTINUADO
300	183D7359G001	QUEMADOR HORNO ENS. (S/P)

350	183D7506G002	TUBO ALIMENTADOR HORNO (S/P)
353	181D7672P001	TUBO PILOTO HORNO DESCONTINUADO
380	183D8076P001	CORDON TOMACORRIENTE (S/P)
386	183D8625P004	ARNES BUJIAS (S/P)
387	181D7693G005	ARNES PRINCIPAL (S/P)
390	MAB612	MODULO DE IGNICION
415	181D7673G001	MARCO CUBIERTA ENS. (S/P)
416	181D7674G001	COMPLEMENTO MARCO CUBIERTA (S/P)
460	181D7514P004CA	LATERAL HORNO CATALITICO IZQ. (S/P)
461	181D7514P003CA	LATERAL HORNO CATALITICO DER. (S/P)
480	181D8617G002PY	PISO HORNO PIROLITICO (S/P)
500	181D7663P001	LATERAL ESTUFA (S/P)
510	181D7591P003	MOLDURA VERTICAL BCO. (S/P)
515	181D7698P004BL	COMPL. MOLDURA VERTICAL BLANCO (S/P)
600	181D7571P001	PARRILLA HORNO 30" (S/P)
615	205C1329P001	SOCKET (S/P)
620	245B1330P001	FOCO 40W, 127V. (S/P)
625	205C1672P001	CLIP TUBO CAPILAR (S/P)
700	221C3524G001	SELLO P/PUERTA HORNO 30" (S/P)
710	181D7504P001PY	CONTRAPUERTA HORNO 30" (S/P)
725	221C3580G001NE	SEPARADOR INTERIOR CRISTAL (S/P)
730	221C3529P001	VIDRIO VENTANA HORNO DESCONTINUADO
740	181D7790P002	VIDRIO PUERTA HORNO BCO. DESCONTINUADO
750	221C3588G004BL	MOLDURA SUPERIOR PTA. BCA. DESCONTINUADO
775	181D7690P002BL	SOPORTE JALADERA TUB. BCO. DESCONTINUADO
780	181D7769P006	JALADERA TUBULAR BCA. DESCONTINUADO
800	181D7560P002BL	MOLDURA INFERIOR PTA. BCA. (S/P)
810	221C3562G001	BISAGRA PUERTA HORNO ENS. (S/P)
820	263B7040G002	CONTRA BISAGRA (S/P)
830	183D7191G002	ENS.PUERTA HORNO BCA. (S/P)
880	181D7564P002BL	FALDON CURVO BCO. DESCONTINUADO