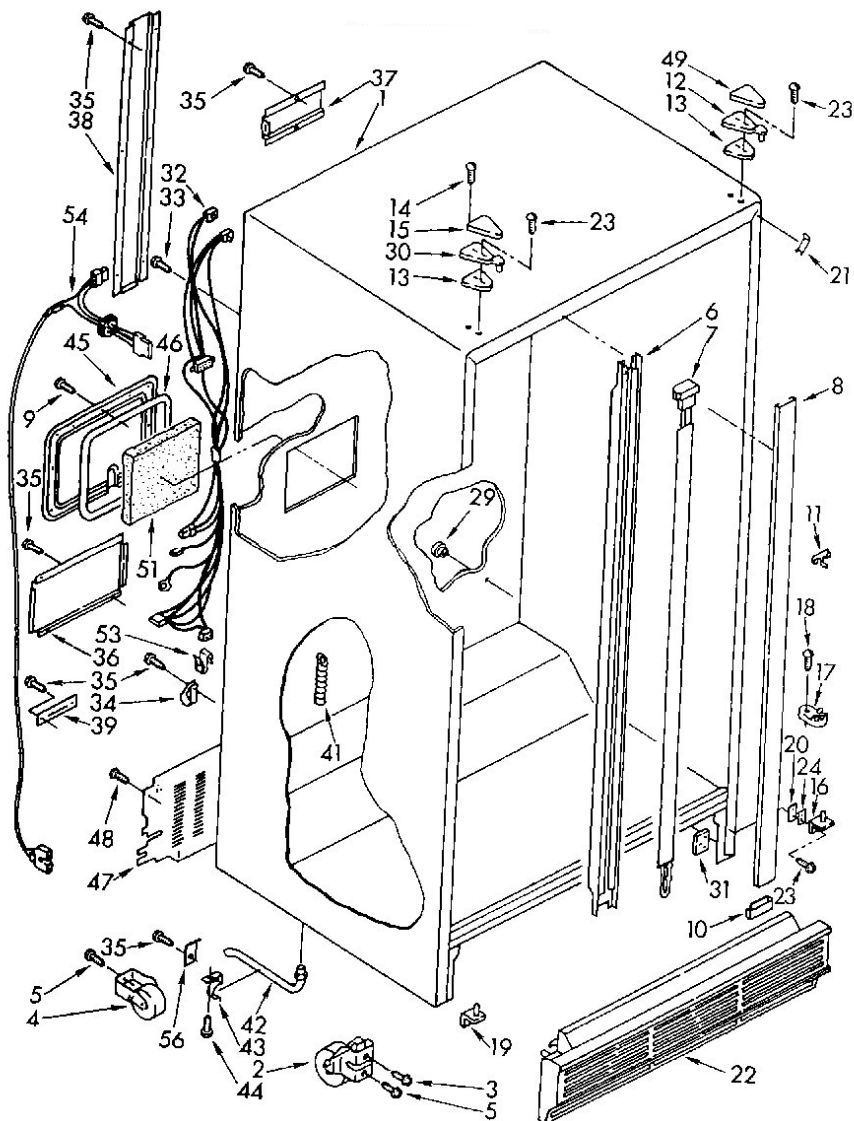


Distribuidor Autorizado

SurteRápido.com

Venta de Refacciones
Electrodomesticas

3ED25RQXXW00 CABINET



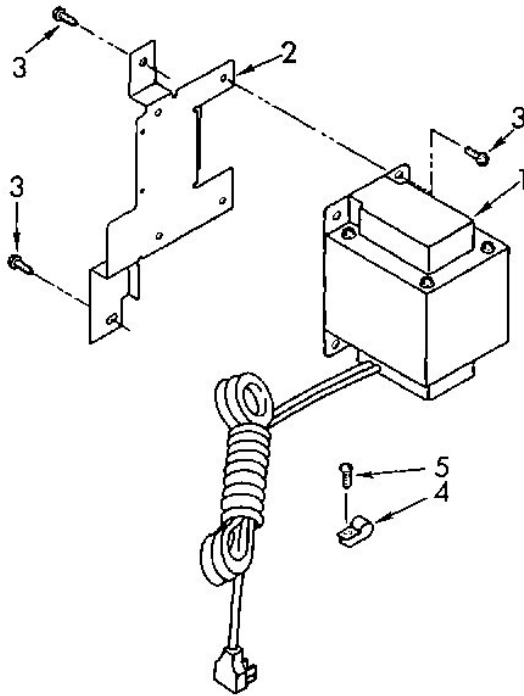


3ED25RQXXW00 CABINET

1	****	DESCONTINUADO
2	4386774	FRONT ROLLER (2)
3	489333	SCREW, 5/16-24 X 1-1/4 (S/P)
4	981122	ROLLER (REAR) (2)
5	488454	DESCONTINUADO
6	2155016	MULLION RAIL (S/P)
7	1129434	HEATER MULLION (S/P)
8	1127495	FRONT MULLION RAIL (S/P)
9	489337	SCREW (13) (S/P)
10	1118361	FILLER BOTTOM MULLION (S/P)
11	1110607	CLIP, GROUND (S/P)
12	1123510	HINGE TOP (S/P)
13	1123515	SHIM, HINGE TOP (S/P)
14	487869	SCREW, BIND (S/P)
15	1129262	HINGE COVER (S/P)
16	4386946	HINGE BOTTOM (R.H) (S/P)
17	2155311	DOOR CLOSER LOWER CAM (2)
18	489358	SCREW (2) (S/P)
19	4386946	HINGE BOTTOM (L.H) (S/P)
20	1129868	SPACER, HINGE (S/P)
21	2196094	FILLER, WRAPPER (S/P)
22	2155485	GRILLE (S/P)
23	489327	SCREW (S/P)
24	4388138	SHIM (S/P)
29	1129178	DESCONTINUADO
30	1123510	HINGE, TOP (L.H.) (S/P)
31	2147310	DESCONTINUADO
32	2149745	CABINET HARNESS (S/P)
33	489048	SCREW, GROUND (S/P)
34	937357	CLAMP (S/P)
35	489337	SCREW (S/P)
36	1129193	COVER, WIRING (S/P)
37	1108440	WIRING SHIELD, SHORT (S/P)

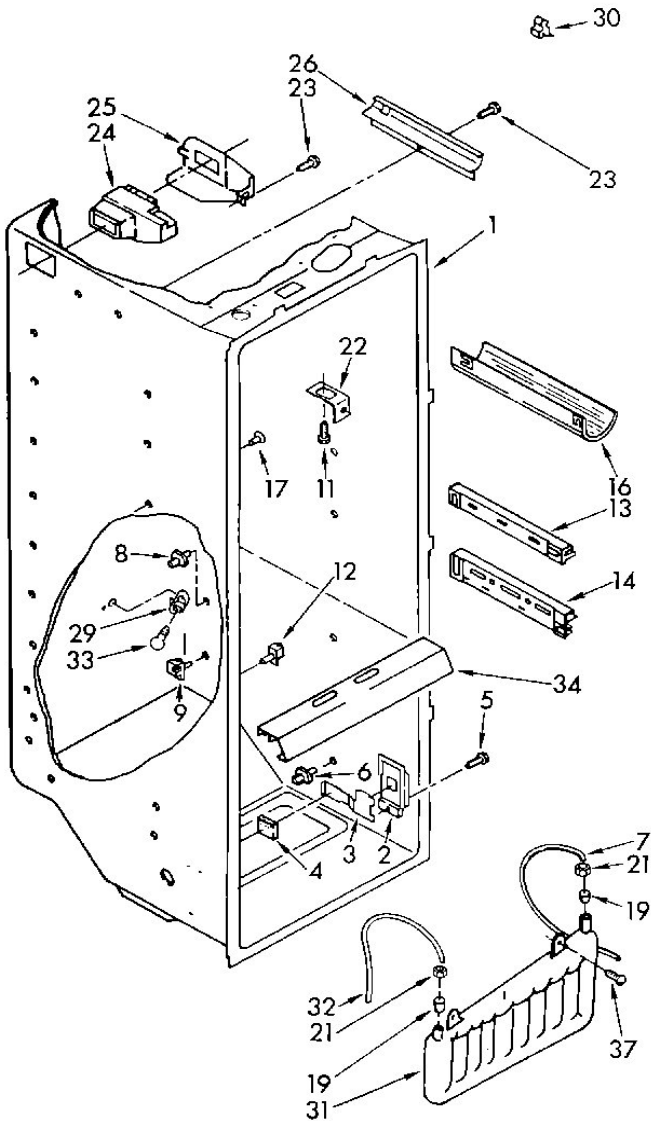
38	1119063	WIRING SHIELD, LONG (S/P)
39	1105607	DESCONTINUADO
41	934607	DESCONTINUADO
42	1108438	EXTENSION TUBE (S/P)
43	1108439	CLIP, DRAIN TUBE (S/P)
44	489242	SCREW (S/P)
45	1110626	COVER, PLUG (S/P)
46	1115322	SEALING GASKET (S/P)
47	1129352	COVER, UNIT (S/P)
48	489084	SCREW, 8 X 1/2 (6) (S/P)
49	1119787	HINGE COVER (S/P)
51	1118237	INSULATION (S/P)
53	548745	CLIP, WIRE (S/P)
54	1118439	WIRING ASSEMBLY (ICEMAKER) (S/P)
56	836472	DESCONTINUADO

3ED25RQXXW00 TRANSFORMER



1	1129495	TRANSFORMER (S/P)
2	1129328	BRACKET, TRANSFORMER (S/P)
3	489364	DESCONTINUADO
4	1129503	DESCONTINUADO
4	836472	DESCONTINUADO
5	489242	SCREW (S/P)
5	489337	SCREW, W/BRAKE (S/P)

3ED25RQXXW00 REFRIGERATOR LINER





3ED25RQXXW00 REFRIGERATOR LINER

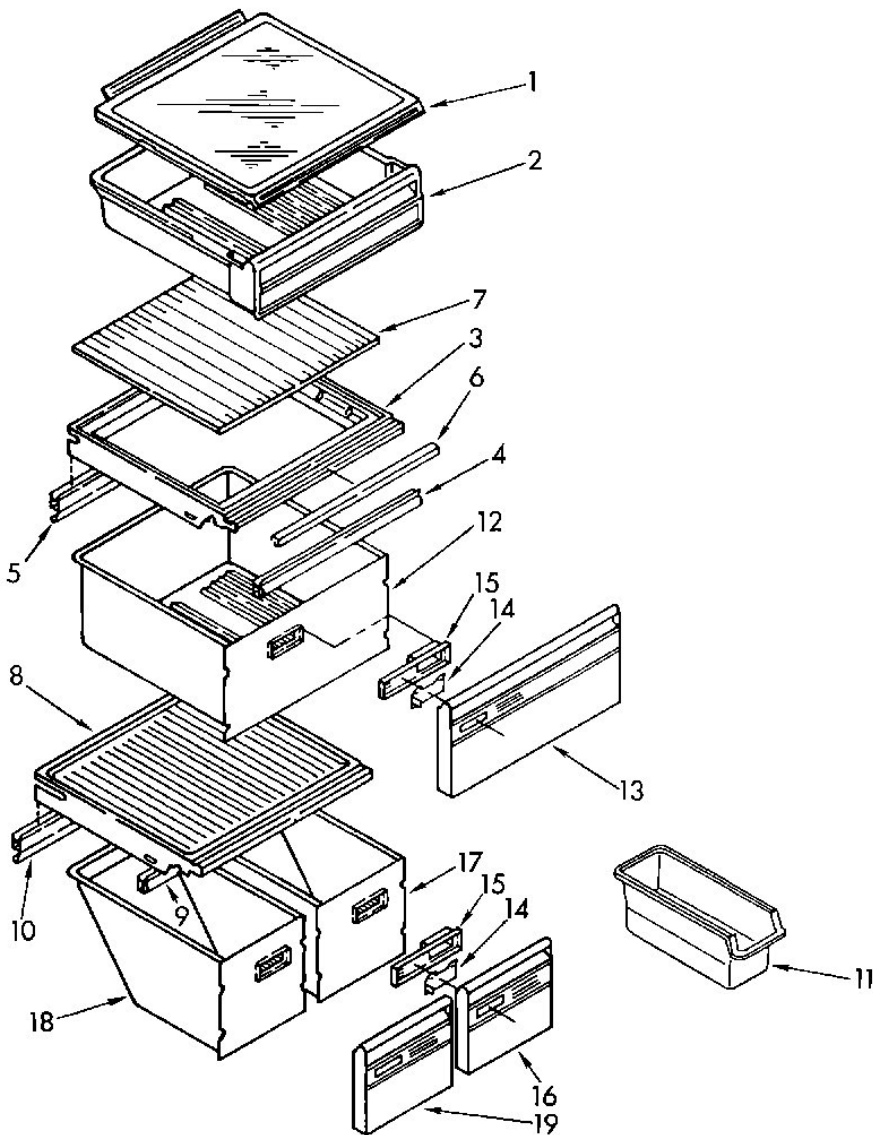
1	****	DESCONTINUADO
2	1116612	ESCUTCHEON, MEAT PAN CONTROL (S/P)
3	984102	SLIDE, MEAT PAN CONTROL (S/P)
4	992358	PAD, FOAM (S/P)
5	486214	SCREW, 8-15 X ½ (S/P)
6	2149540	STUD, LEFT FRONT
7	4387492	TUBE, WATER (S/P)
8	1110718	STUD, RIGHT REAR
9	1115290	STUD, LEFT REAR (S/P)
11	489290	SCREW (2) (S/P)
12	2147997	STUD, RIGHT FRONT
13	1114632	TRACK, SHELF (RIGHT SIDE (3))
13	1114633	TRACK, SHELF (LEFT SIDE (3))
14	1115264	TRACK, SHELF (RIGHT SIDE) (S/P)
14	1115265	TRACK, SHELF (LEFT SIDE) (S/P)
16	1115261	DESCONTINUADO
17	1114631	SUPPORT, STUD (32)
19	1129177	INSERT, PLASTIC TUBE (S/P)
21	4318011	NUT, COMPRESSION (S/P)
22	2256085	BRACKET, RETAINER (S/P)
23	486298	SCREW, 8 X 1/2 (2) (S/P)
24	2209753	AIR DIFFUSER ASSEMBLY
25	2152019	COVER, AIR DIFFUSER (S/P)
26	2150331	COVER, CONDUIT (S/P)
29	4387478	SOCKET
30	842534	CLIP, AIR DUCT (S/P)
31	2209687	RESERVOIR (S/P)
32	1129176	DESCONTINUADO
33	527949	LIGHT BULB (S/P)
34	2169504	LIGHT LENS (S/P)
37	488280	SCREW (2) (S/P)

Distribuidor Autorizado

SurteRápido.com

Venta de Refacciones
Electrodomesticas

3ED25RQXXW00 SHELF





3ED25RQXXW00 SHELF

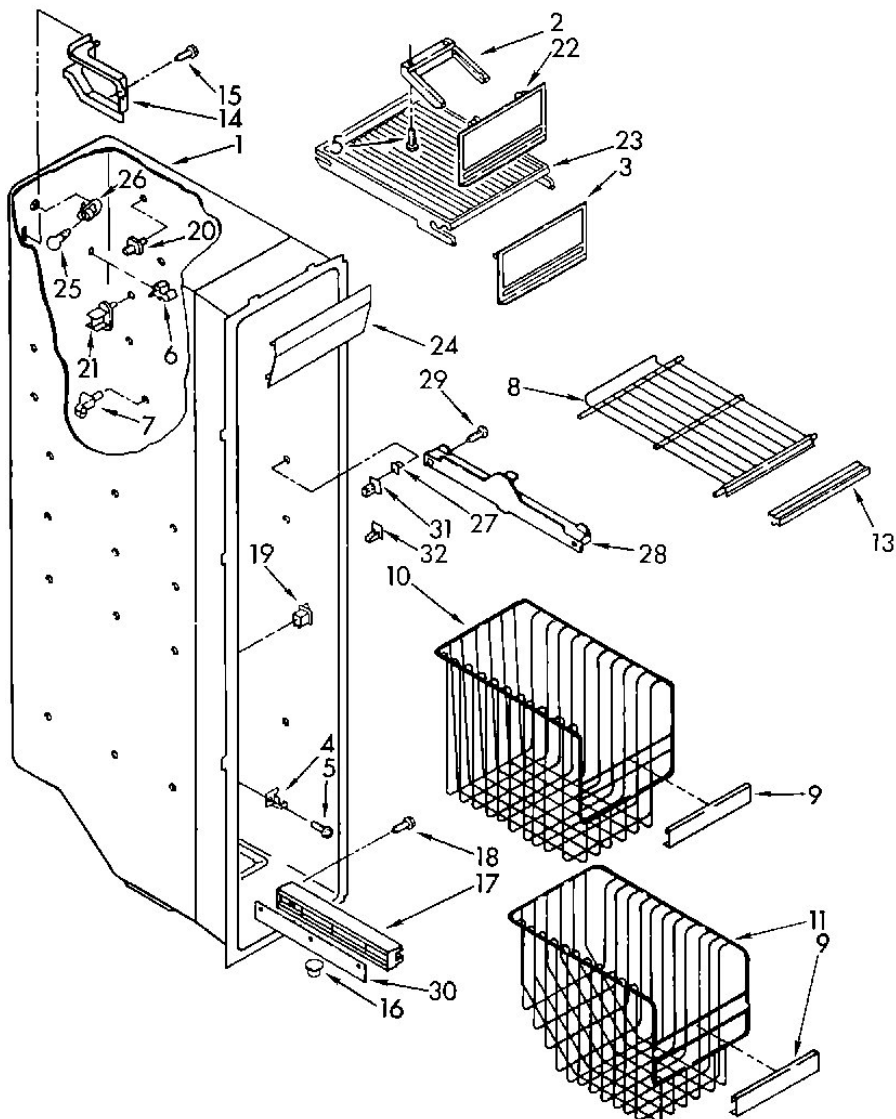
1	2162991	SHELF ASSEMBLY, GLASS SLIDING (3) (S/P)
2	1115262	SNACK BIN (S/P)
3	1126289	COVER, CRISPER
4	1115291	GASKET, CRISPER (FRONT) (S/P)
5	1121385	GASKET, CRISPER (REAR) (S/P)
6	1110795	TRIM, CRISPER COVER (S/P)
7	1114687	GLASS, CRISPER COVER (S/P)
8	1124812	DESCONTINUADO
9	1115291	GASKET (FRONT) (S/P)
10	1121384	DESCONTINUADO
11	982704	CONTAINER (S/P)
12	2148279	PAN, CRISPER (S/P)
13	1124825	FRONT, CRISPER PAN (S/P)
14	1124819	SLIDE, HUMIDITY CONTROL (S/P)
15	1124820	HOUSING, HUMIDITY CONTROL (S/P)
16	1124817	FRONT, MEAT PAN (S/P)
17	1114690	DESCONTINUADO
18	1114691	MEAT PAN (S/P)
19	1124814	FRONT, MEAT PAN (S/P)

Distribuidor Autorizado

SurteRápido.com

Venta de Refacciones
Electrodomesticas

3ED25RQXXW00 FREEZER LINER





3ED25RQXXW00 FREEZER LINER

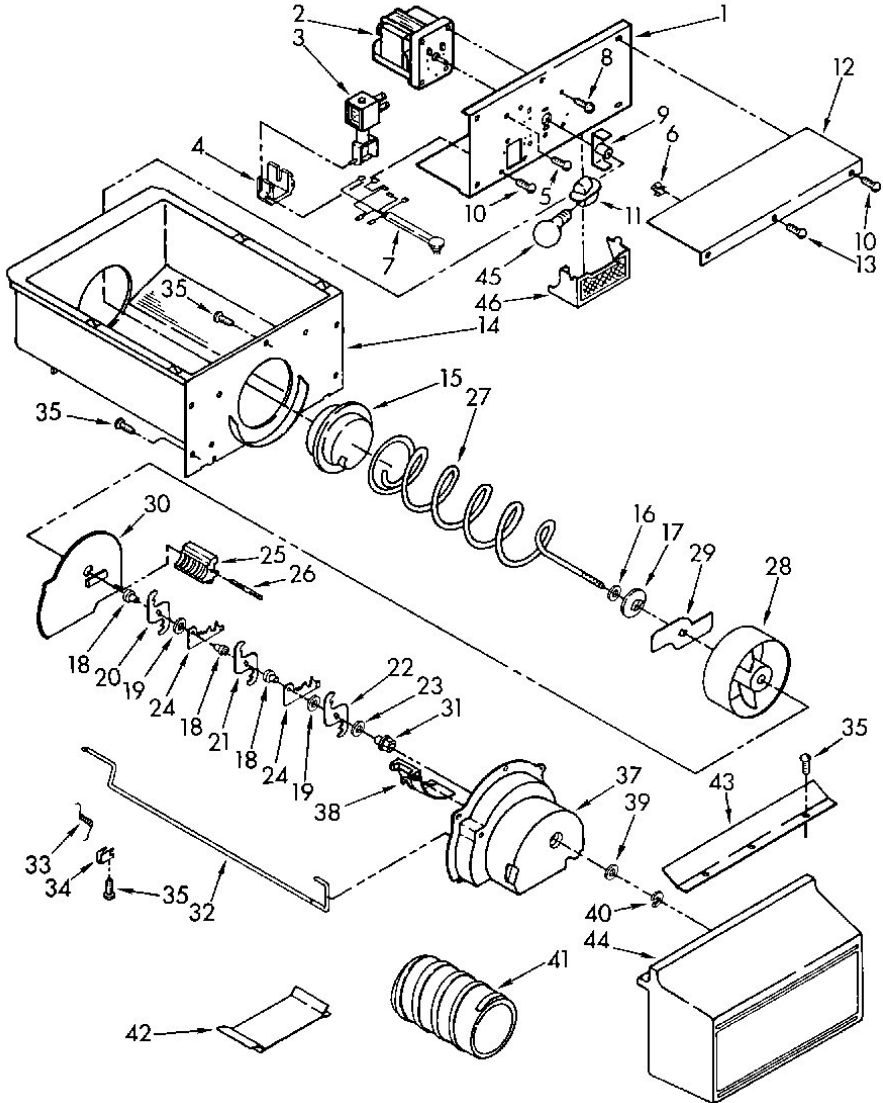
1	****	LINER (NOT A SERVICEABLE PART) (S/P)
2	1115380	SLIDE, ICE DOOR (S/P)
3	2163423	DOOR, ICE COMPARTMENT (S/P)
4	1108436	EVAPORATOR, SUPPORT (S/P)
5	489242	SCREW, 8 X 1/2 (S/P)
6	842534	CLIP, AIR DUCT (2) (S/P)
7	939203	SUPPORT, STUD (4)
8	1116956	DESCONTINUADO
9	1124837	DESCONTINUADO
10	2152096	DESCONTINUADO
11	2152090	DESCONTINUADO
13	2148844	TRIM, SHELF (S/P)
14	1114607	WIRING COVER (S/P)
15	489176	SCREW (S/P)
16	942768	DESCONTINUADO
17	1126354	SHELF TRACK (RIGHT SIDE (4)) (S/P)
17	1126355	DESCONTINUADO
18	487042	SCREW (S/P)
19	4387911	SWITCH, ROCKER ARM (S/P)
20	1110718	STUD (4)
21	4388537	STUD, SHELF (4) (S/P)
22	2174343	DOOR, TOP COMPARTMENT (S/P)
23	2171714K	SHELF, TOP COMPARTMENT (S/P)
24	1115389	DESCONTINUADO
25	527949	LIGHT BULB (S/P)
26	4387478	LIGHT SOCKET
27	4388540	SUPPORT STUD
28	1119237	SLIDE, CONTAINER (LEFT SIDE) (S/P)
28	1119293	SLIDE, CONTAINER (RIGHT SIDE)
29	489100	SCREW, 8 X 1-3/8 (4) (S/P)
30	1129195	SHIM, TRACK (2) (S/P)
31	4388540	STUD, RIGHT FRONT
32	4388540	STUD, RIGHT REAR

Distribuidor Autorizado

SurteRápido.com

Venta de Refacciones
Electrodomesticas

3ED25RQXXW00 MOTOR AND ICE CONTAINER





3ED25RQXXW00 MOTOR AND ICE CONTAINER

1	2254587	BRACKET, MOTOR (S/P)
2	2188242	MOTOR, DISPENSER (S/P)
3	2152713	SOLENOID ASSEMBLY
4	2149100	GUIDE, SOLENOID (S/P)
5	487523	SCREW (2) (S/P)
6	1115374	CLIP, WIRING (S/P)
7	2149943	WIRING ASSEMBLY, ICE DISPENSER (S/P)
8	488906	SCREW, 8-32 X 5/16 (4) (S/P)
9	983663	COUPLING, MOTOR (S/P)
10	489242	SCREW (S/P)
11	4387478	SOCKET, LIGHT
12	2254587	COVER, MOTOR (S/P)
13	487294	SCREW, 8-32 X 3/8 (S/P)
14	2196091	ICE CONTAINER
15	983668	COUPLING, CONVEYOR
16	1118480	STOP, CONE (S/P)
17	1119074	FEEDER CONE (S/P)
18	1119005	SPACER, STEP (3)
19	1119007	SPACER, FLAT (2)
20	2257022	BLADE, ROTARY
21	2257023	BLADE, ROTARY
22	2257024	BLADE, ROTARY
23	489235	WASHER, PLAIN
24	1119009	BLADE, FIXED (2) (S/P)
25	2157405	BLOCK, BLADE (S/P)
26	489229	ROLL PIN
27	2196295	CONVEYOR (S/P)
28	4388496	DRUM
29	1118470	DRIVE BAR (S/P)
30	2171682	FLOATING BAFFLE (S/P)
31	1119018	NUT, BEARING (S/P)
32	1119019	CONTROL ARM (S/P)
33	1119020	SPRING, RETURN (S/P)

34	1119021	RETAINER CLIP, ROD (S/P)
35	488886	SCREW, 8-18 X 1/2 (S/P)
37	2180348	HOUSING, CRUSHER (S/P)
38	1119017	DEFLECTOR, ICE (S/P)
39	489234	WASHER, PLAIN (S/P)
40	489236	RETAINER RING (S/P)
41	4317870	SLEEVE, AUGER (S/P)
42	4317811	DESCONTINUADO
43	1119043	DESCONTINUADO
44	2147510	DESCONTINUADO
45	527949	LIGHT BULB (S/P)
46	983359	LIGHT LENS, DISPENSER



3ED25RQXXW00 REFRIGERATOR DOOR

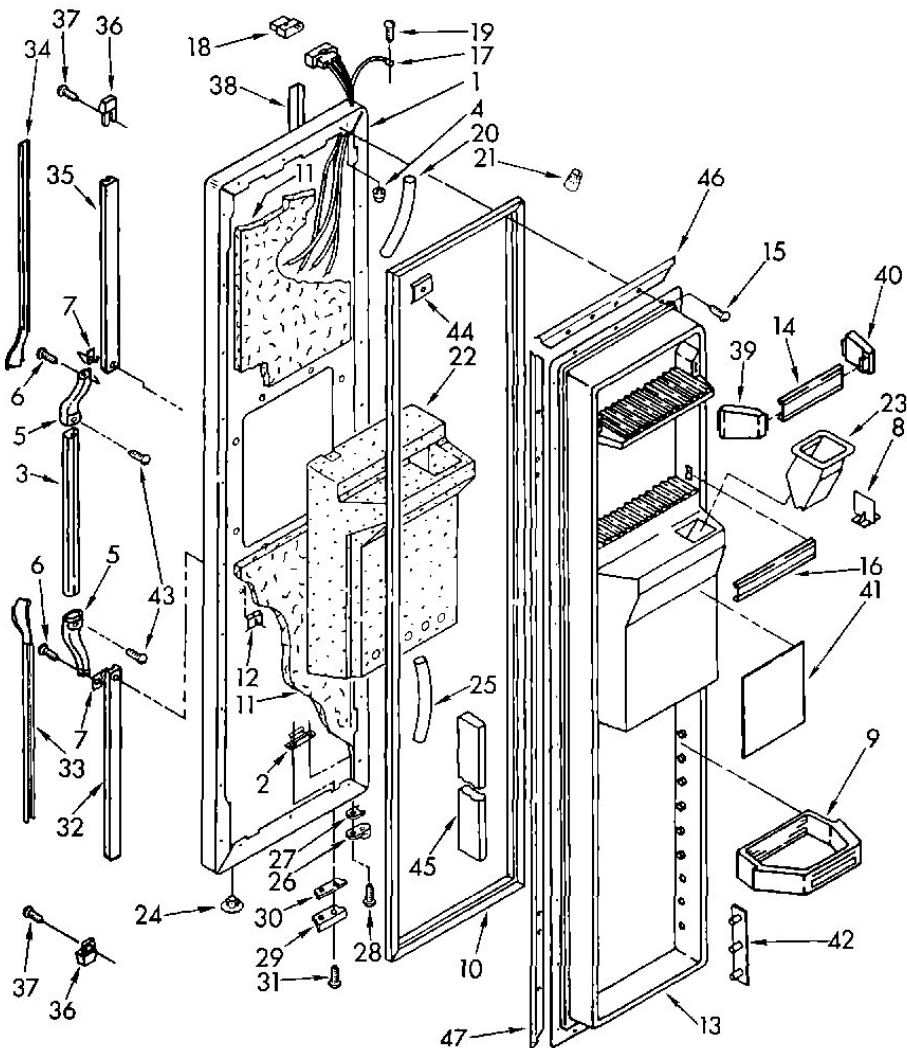
1	1110642	DESCONTINUADO
2	2196166	PIN PLATE (4) (S/P)
3	2148289	DOOR, COMPARTMENT (S/P)
4	1106959	TRIM, COMPARTMENT DOOR
6	1124846	SHELF BIN (2) (S/P)
7	1119361	INSERT, HANDLE (S/P)
8	2188433A	DOOR GASKET, MAGNETIC
9	509929	CAP, HINGE SLEEVE
10	1124713	DESCONTINUADO
12	1119359	END CAP, CENTER HANDLE
13	935075	DESCONTINUADO
14	1118302	DESCONTINUADO
15	1118301	GASKET RETAINER, TOP & BOTTOM (S/P)
16	1119373	DESCONTINUADO
17	1124842	PANEL, INTERIOR DOOR (S/P)
18	2195498	DIVIDER, SHELF (S/P)
19	489101	SCREW, 7 X 1/2 (30) (S/P)
19	489084	SCREW (REPAIR) (S/P)
20	4318165	DOOR CLOSER, UPPER CAM
21	1104787	SHIM, DOOR CLOSER (S/P)
23	2195950	BRACKET, DOOR STOP (S/P)
24	988421	SHIM (S/P)
26	992245	DESCONTINUADO
27	941262	DESCONTINUADO
28	941262	DESCONTINUADO
29	2156220	END CAP (2)
30	489075	SCREW, 10-32 X 5/8 (2) (S/P)
31	1119062	DESCONTINUADO
32	534927	HOLE PLUG (2)
33	2196165	PIN PLATE (10) (S/P)
35	2177883	SHELF BIN (2) (S/P)
36	1115379	DOOR DIKE, HINGE SIDE (S/P)
37	1119055	DOOR DIKE, HANDLE SIDE (S/P)

Distribuidor Autorizado

SurteRápido.com

Venta de Refacciones
Electrodomesticas

3ED25RQXXW00 FREEZER DOOR





3ED25RQXXW00 FREEZER DOOR

1	1110652	DESCONTINUADO
2	992245	DESCONTINUADO
3	1124713	DESCONTINUADO
4	939886	SEAL, HINGE PIN (S/P)
5	1119359	END CAP (2)
6	489084	SCREW, 8 X 1/2 (4) (S/P)
7	935075	DESCONTINUADO
8	1123293	DIVIDER, SHELF (S/P)
9	1124854	DESCONTINUADO
10	2188434A	DOOR GASKET, MAGNETIC
11	876029	FOAM INSULATION (S/P)
12	941242	SCREW ANCHOR (2) (S/P)
13	4317821	PANEL, INTERIOR DOOR (S/P)
14	2152878	TRIM, DOOR SHELF (S/P)
15	489084	SCREW (REPAIR) (S/P)
15	489101	SCREW, 7 X 1/2 (28) (S/P)
16	2157313	TRIM, DOOR SHELF (S/P)
17	1119212	HARNESS, DOOR (S/P)
18	936183	CONNECTOR, PLUG (S/P)
19	488889	SCREW, 8-32 X 5/32 (S/P)
20	2196117	TUBE, DOOR WIRING (S/P)
21	227991	WIRE CONNECTOR (S/P)
22	1119038	DESCONTINUADO
23	1119036	CHUTE, ICE (S/P)
24	534927	HOLE PLUG (2)
25	2196117	TUBE, DOOR WIRING (S/P)
26	4318165	DOOR CLOSER, UPPER CAM
27	1104787	SHIM, DOOR CLOSER (S/P)
28	488938	SCREW, 8 X 1/2 (S/P)
29	2195950	BRACKET, DOOR STOP (S/P)
30	988421	SHIM (S/P)
31	488938	SCREW, 8 X 5/8 (S/P)
32	941262	DESCONTINUADO

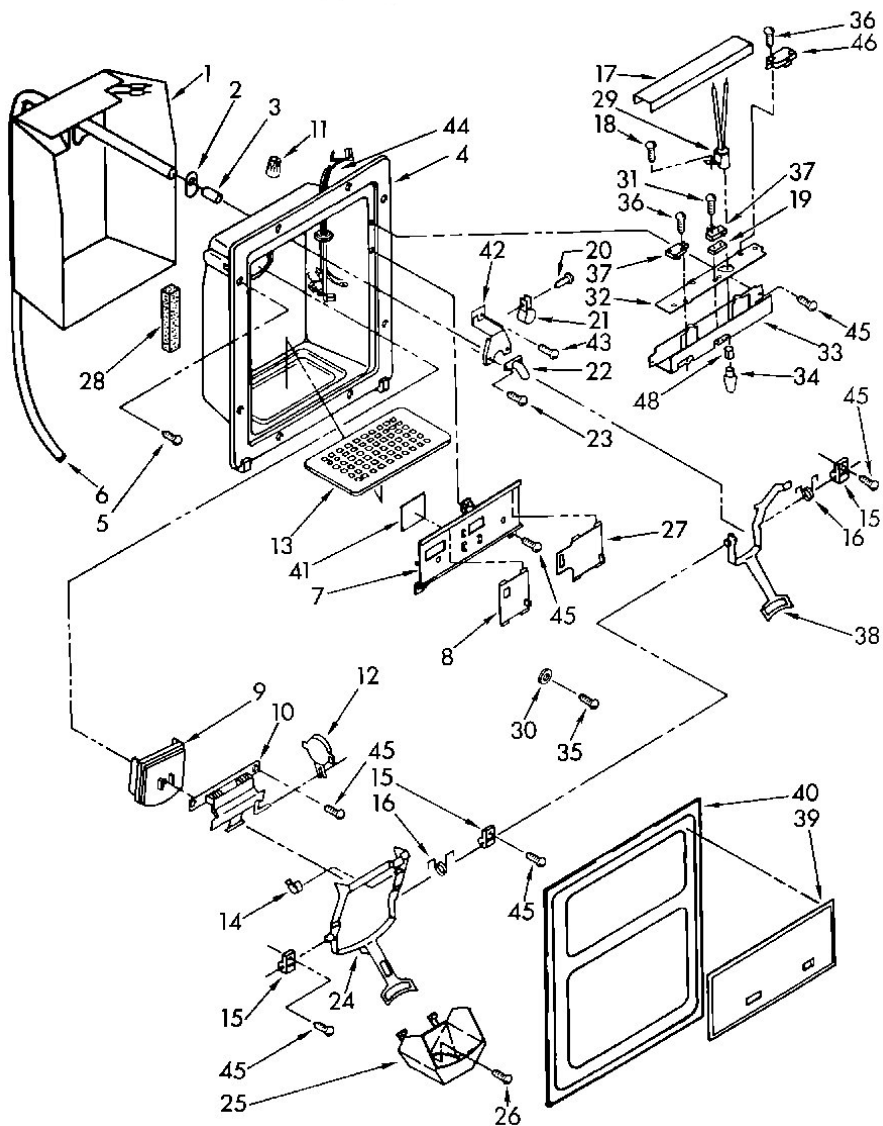
33	1119361	INSERT, HANDLE (S/P)
34	1119373	DESCONTINUADO
35	941262	DESCONTINUADO
36	2156220	END CAP (2)
37	489075	SCREW, 10-32 X 5/8 (2) (S/P)
38	1119062	DESCONTINUADO
39	1115333	DESCONTINUADO
40	1115364	END CAP, TRIM
41	2162923	DESCONTINUADO
42	2196165	PIN PLATE (6) (S/P)
43	489022	SCREW, 6-20 X 3/8 (4) (S/P)
44	939101	SCREW ANCHOR (2) (S/P)
45	1115378	DOOR DIKE (2) (S/P)
46	1118306	DESCONTINUADO
47	1118302	DESCONTINUADO

Distribuidor Autorizado

SurteRápido.com

Venta de Refacciones
Electrodomesticas

3ED25RQXXW00 DISPENSER FRONT





3ED25RQXXW00 DISPENSER FRONT

1	1129454	HEATER, DISPENSER (S/P)
2	987048	GROMMET (S/P)
3	4387491	INSERT, TUBE (S/P)
4	1107943	HOUSING, DISPENSER (S/P)
5	488687	SCREW, 8 X 5/8 (10) (S/P)
6	4387492	TUBE, WATER (S/P)
7	2152716	FRAME, SLIDES (S/P)
8	2152720	SLIDE, CUBE/CRUSH SWITCH
9	2147168	DOOR, ICE
10	2147167	DOOR MECHANISM ASSEMBLY (INCLUDES ITEM 9)
11	227991	WIRE CONNECTOR (S/P)
12	1120581	MECHANISM DELAY
13	983900	GRILLE, OVERFLOW (S/P)
14	987917	CLIP, BEARING (2) (S/P)
15	983697	BEARING, LEVER (3)
16	983696	SPRING, LEVER (2)
17	1119041	SHIELD, WIRING (S/P)
18	488500	SCREW, 8-32 X 3/8 (S/P)
19	625834	SPACER, SWITCH (S/P)
20	488886	SCREW, 8-18 X 1/2 (S/P)
21	488878	CLAMP (S/P)
22	4388152	FITTING, WATER INLET (S/P)
23	487916	SCREW, 8 X 3/8 (2) (S/P)
24	1124718	LEVER ASSEMBLY, ICE DISPENSER
25	1124730	GUIDE, ICE
26	488892	DESCONTINUADO
27	2152726	SLIDE, LIGHT SWITCH (S/P)
28	482672	SEAL (S/P)
29	2166862	LAMP HOLDER (S/P)
30	489336	WASHER (S/P)
31	488361	SCREW (2) (S/P)
32	2147164	INSULATOR, CONTROL BRACKET (S/P)
33	2147163	DESCONTINUADO

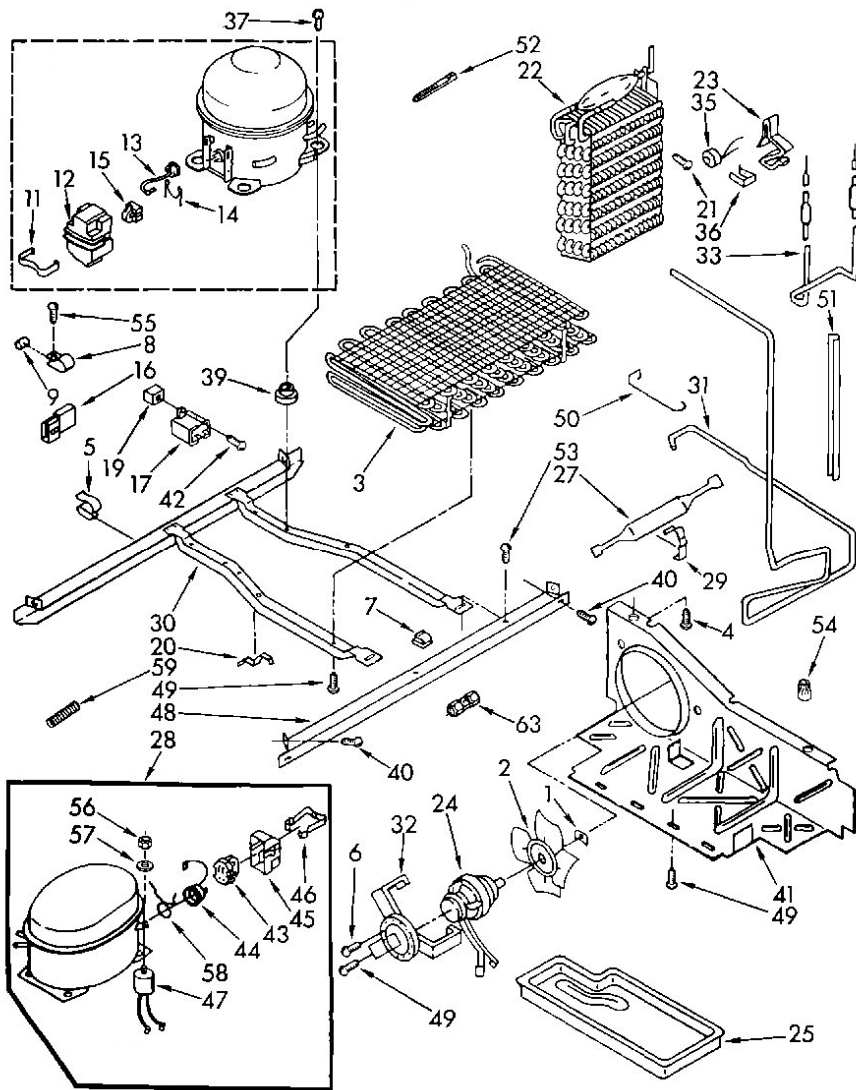
34	17512	BULB, LIGHT (S/P)
35	489362	DESCONTINUADO
36	489155	SCREW, (S/P)
37	814037	SWITCH (4) (S/P)
38	2159157	LEVER ASSEMBLY, WATER DISPENSER
39	2162923	PLAQUE, FRONT COVER (S/P)
40	2198154W	FRONT COVER, HOUSING (INCLUDES ITEM 39) (S/P)
41	1121404	HEAT SHIELD, FRAME (S/P)
42	987049	DESCONTINUADO
43	488316	SCREW, 8-18 X ¾ (S/P)
44	2147166	WIRING HARNESS, DOOR (S/P)
45	489000	SCREW, 9-12 X ½ (S/P)
46	625851	SWITCH, WATER (S/P)
48	1129333	SHROUD, BRACKET (S/P)

Distribuidor Autorizado

SurteRápido.com

Venta de Refacciones
Electrodomesticas

3ED25RQXXW00 UNIT



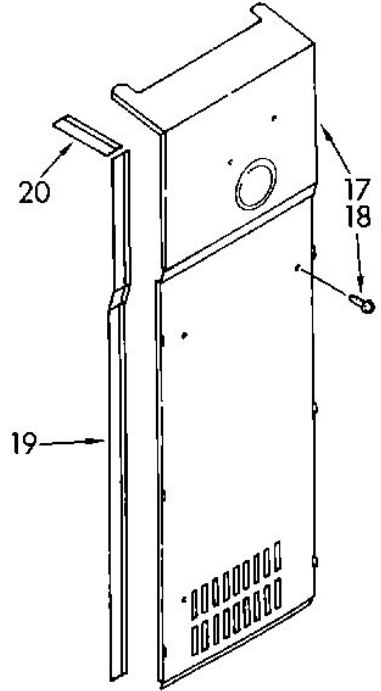
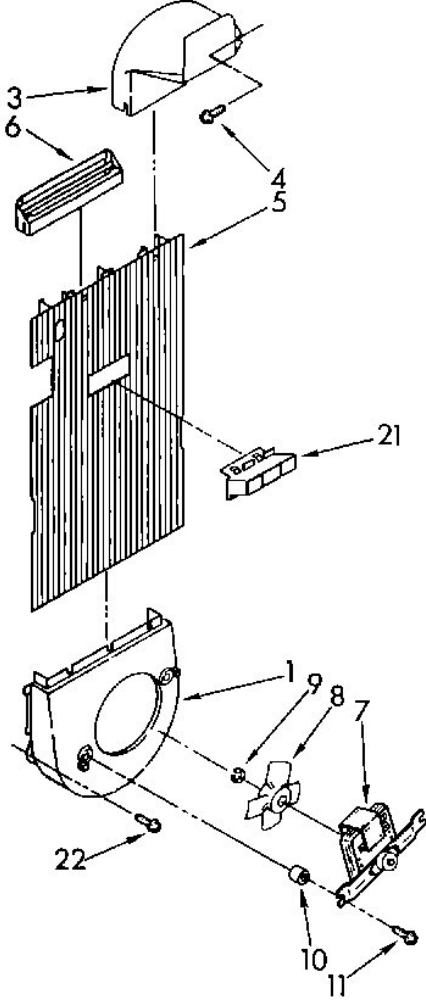


3ED25RQXXW00 UNIT

1	486692	SPEED NUT (S/P)
2	1108179	FAN, BLADE
3	1105640	CONDENSER ASSEMBLY (S/P)
4	489019	SCREW (S/P)
5	548745	CLIP, WIRE (2) (S/P)
6	489019	SCREW, 8-32 X 3/8 (S/P)
7	2200079	CLIP, WATER LINE (3) (S/P)
8	510716	TUBE CLAMP (S/P)
9	1108064	DAMPENER (S/P)
11	943322	SPRING, RELAY CASE (S/P)
12	1105055	CASE, RELAY (S/P)
13	819100	OVERLOAD (S/P)
14	943320	OVERLOAD SPRING (S/P)
16	1118850	HOUSING PLUG (S/P)
17	2169373	RUNNING CAPACITOR
19	937252	SCREW GROMMET (S/P)
20	548744	CLIP, UNIT COVER (2) (S/P)
21	489242	SCREW (S/P)
22	1110668	EVAPORATOR (S/P)
23	1108431	DESCONTINUADO
24	833697	FAN, MOTOR
25	1110674	TRAY, EVAPORATOR (S/P)
27	4387019	DRIER (S/P)
28	482982	DESCONTINUADO
29	1127590	CLAMP, DRYER (S/P)
30	2304904	UNIT MOUNTING FRAME (S/P)
31	1114662	EXCHANGER, HEAT (S/P)
32	548695	FAN, MOTOR BRACKET (S/P)
33	2154543	DESCONTINUADO
35	4387499	BIMETAL, DEFROST
36	547811	CLAMP (S/P)
37	489373	SCREW, 1/4-28 X 1 (S/P)
39	4388295	GROMMET (4) (S/P)

40	489340	SCREW (S/P)
41	2162457	AIR BAFFLE (S/P)
42	488687	SCREW, 8 X 5/8 (S/P)
43	2262181	RELAY (S/P)
44	819160	OVERLOAD (S/P)
45	1108115	COVER (S/P)
46	938384	STRAP (S/P)
47	483059	CAPACITOR (S/P)
48	2305374	UNIT MOUNTING RAIL (S/P)
49	488624	SCREW (S/P)
50	1110663	GUARD, FAN (S/P)
51	22002171	SLEEVE (S/P)
52	3347868	STRAP (S/P)
53	489339	SCREW, 1/4-28 X 1/2 (2) (S/P)
54	227991	WIRE CONNECTOR (S/P)
55	488197	SCREW, 8-32 X 1/2 (S/P)
56	489142	DESCONTINUADO
57	489143	WASHER (S/P)
58	1114190	OVERLOAD SPRING (S/P)
59	983659	SPRING, TUBE FORMING (S/P)
63	978025	VALVE, ACCESS (1/4") (S/P)
63	978027	VALVE, ACCESS (3/8") (S/P)
63	978028	VALVE, ACCESS (1/2") (S/P)
63	876764	VALVE, ACCESS (3/16") (S/P)
63	978026	VALVE, ACCESS (5/16") (S/P)
63	978029	VALVE, ACCESS (5/8") (S/P)
63	978030	VALVE, ACCESS (3/4") (S/P)
63	4211117	UNION (S/P)

3ED25RQXXW00 AIRFLOW





3ED25RQXXW00 AIRFLOW

1	1127163	FAN SCROLL
3	2161231	AIR SCOOP (S/P)
4	489176	SCREW (S/P)
5	2157544	AIR DUCT FREEZER (S/P)
6	1110666	DIFFUSER AIR DUCT (S/P)
7	4318017	FAN MOTOR (S/P)
8	992920	BLADE, FAN (S/P)
9	992953	RING, COMPRESSION (S/P)
10	531933	FAN GROMMET (2) (S/P)
11	489168	SCREW (2) (S/P)
17	1127167	COVER, EVAPORATOR (S/P)
18	489355	SCREW (6) (S/P)
19	988494	GASKET, EVAPORATOR COVER (2) (S/P)
20	1110676	GASKET, EVAPORATOR COVER TOP (2) (S/P)
21	2182146	DUCT, ICEMAKER (S/P)
22	489242	SCREW (S/P)

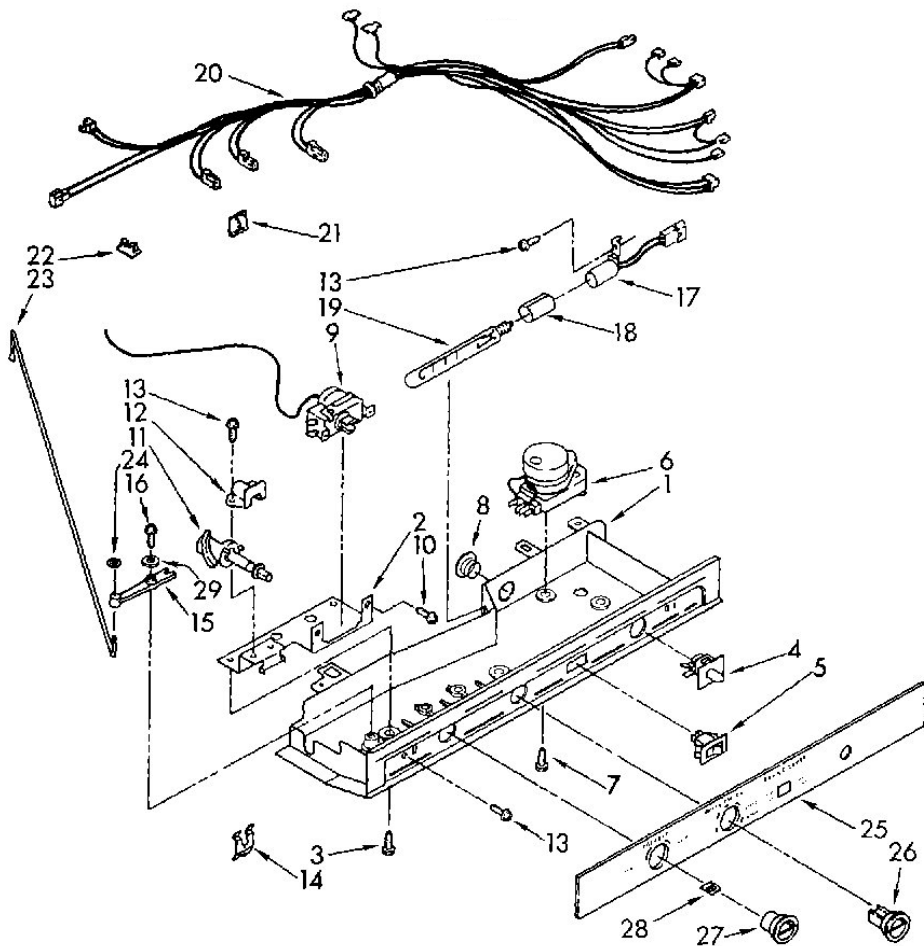
Distribuidor Autorizado

SurteRápido.com

Venta de Refacciones
Electrodomesticas



3ED25RQXXW00 CONTROL





3ED25RQXXW00 CONTROL

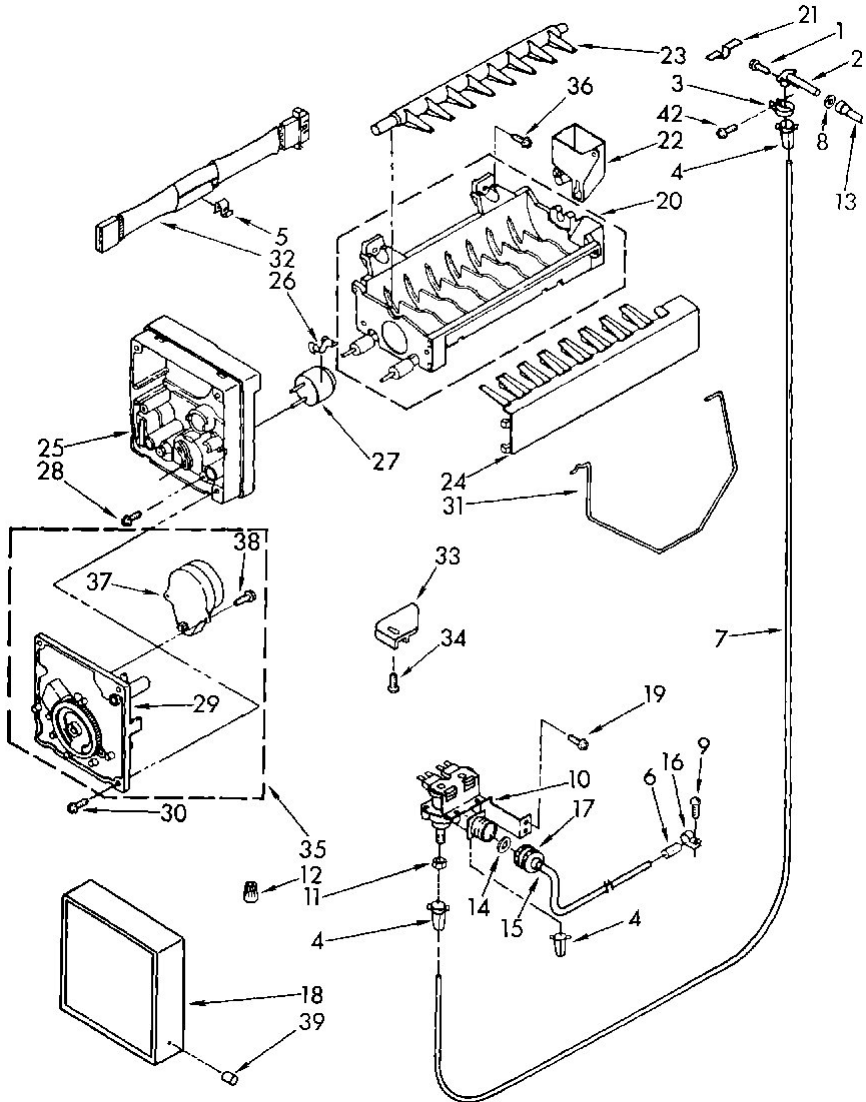
1	1129413	DESCONTINUADO
2	1110629	MOUNTING BRACKET (S/P)
3	489190	SCREW (2) (S/P)
4	1116849	LIGHT SWITCH
5	938049	SWITCH, TOGGLE
6	2154653	TIMER, DEFROST (10 HOUR) (S/P)
7	489192	SCREW (2) (S/P)
8	940014	HOLE PLUG (S/P)
9	2198202	THERMOSTAT ASSEMBLY
10	487869	SCREW, 8 X 3/8 (2) (S/P)
11	1110566	CAM ASSEMBLY (S/P)
12	1110560	BEARING BODY (S/P)
13	489242	SCREW (S/P)
14	2182195	RETAINER, DAMPER (S/P)
15	1110559	PIVOT ARM (S/P)
16	627068	SCREW (S/P)
17	1110690	LIGHT SOCKET (S/P)
18	1129334	SHROUD, CONTROL BOX (S/P)
19	548049	LIGHT BULB (S/P)
20	2149756	CONTROL BOX HARNESS (S/P)
21	1115374	CLIP, WIRING (S/P)
22	1115375	CLIP, WIRING (S/P)
23	1123960	CONNECTING ROD (S/P)
24	489285	FASTENER, PUSH-ON (S/P)
25	2148231	ESCUTCHEON, CONTROL BOX (S/P)
26	2182111	KNOB, THERMOSTAT (S/P)
27	2197871	KNOB, AIR CONTROL (S/P)
28	837444	KNOB, RETAINER (S/P)
29	489203	SPRING WASHER (S/P)

Distribuidor Autorizado

SurteRápido.com

Venta de Refacciones
Electrodomesticas

3ED25RQXXW00 ICE MAKER





3ED25RQXXW00 ICE MAKER

1	489084	SCREW, 8 X 1/2 (S/P)
2	2196157	FITTING, WATER TUBE
3	488878	CLAMP, TUBE (S/P)
4	4387491	INSERT, TUBE (S/P)
5	628379	CLIP, FUSE (S/P)
6	2158826	DAMPENER (S/P)
7	4387492	TUBE, WATER (S/P)
8	1106508	SEAL, GASKET (S/P)
9	489242	SCREW (S/P)
10	4318046	VALVE, SOLENOID
11	627018	NUT, COMPRESSION (S/P)
12	227991	CONNECTOR, WIRE (S/P)
13	4378431	TUBE, WATER INLET (S/P)
14	628337	DESCONTINUADO
15	480389	TUBE, INLET VALVE (S/P)
16	510716	CLAMP, TUBE (S/P)
17	537588	NUT, VALVE (S/P)
18	833873	DESCONTINUADO
19	488649	SCREW, 8-32 X 1/2 (S/P)
20	628228	MOLD & HEATER ASSEMBLY (S/P)
21	836676	CLIP (S/P)
22	628356	BEARING & INLET
23	627843	EJECTOR (S/P)
24	2182124	ICE STRIPER (S/P)
25	2195914	SUPPORT (S/P)
26	2315522	RETAINER, THERMOSTAT (S/P)
27	627985	THERMOSTAT
28	489322	SCREW (S/P)
29	628366	MODULE ASSEMBLY
30	489276	SCREW (S/P)
31	2304354	SHUT OFF ARM (S/P)
32	2187464	HARNESS, WIRING (S/P)
33	628320	BRACKET (S/P)

34	489365	SCREW (S/P)
35	628366	MODULE ASSEMBLY (S/P)
36	488208	SCREW, 8 X 13/16 (S/P)
37	628366	MOTOR (S/P)
38	489136	SCREW, 3-24 X 23/64 (S/P)
39	489115	FASTENER (S/P)
42	488886	SCREW, 8-18 X 1/2 (S/P)
100	830864	XENAMEL, BLACK (S/P)
100	876370	KIT, INSULATION (S/P)
100	72032	BRUSH TOUCH-UP KIT (BLACK) (S/P)
100	799833	DESCONTINUADO
100	511873	PAINT, TOUCH-UP 1/2 OZ. (S/P)
100	515393	DESCONTINUADO
100	4317852	CEMENT, ALUMILASTIC (1-1/4 OZ.) (S/P)
100	606755	BAG, INSULATION (36-5/8`` X 46) (S/P)
100	212643	SEALER, GUM (4 FEET) (S/P)
100	350941	DESCONTINUADO
100	350930	XENAMEL, WHITE (13 OZ. SPRAY CAN) (S/P)
100	350942	XPRIMER, WHITE (13 OZ. SPRAY CAN) (S/P)
100	4317943	COMPLETE ICEMAKER ASSEMBLY (S/P)
100	479502	TAPE, VINYL (3/4 X 108``) (S/P)
100	542638	GREASE, SILICONE (1/2 OZ.) (S/P)
100	503695	CORK, SEALER (1/4 POUND) (S/P)
100	505587	SEALER, MASTIC (1 QT.) (S/P)
100	72017	BRUSH TOUCH-UP KIT (WHITE) (S/P)
100	786032	ENAMEL, BLACK (1 QT. UNCUT) (S/P)
100	799344	ENAMEL, WHITE (1 QT. UNCUT) (S/P)
100	833938	KIT, TERMINAL CONNECTOR (S/P)
100	876029	KIT, FOAM SLAB (30`` X 32-1/2`` X 1-1/2``) (S/P)
100	876370	KIT, INSULATION (2 PCS. X 3`` X 24`` X 48``) (S/P)