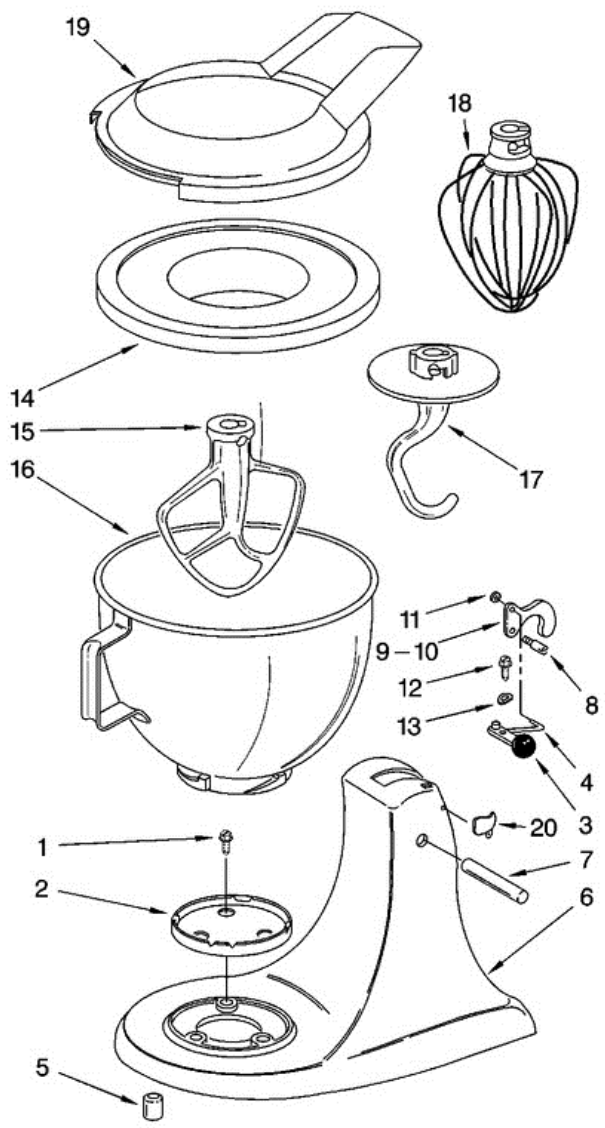


**3K45SS BASE**

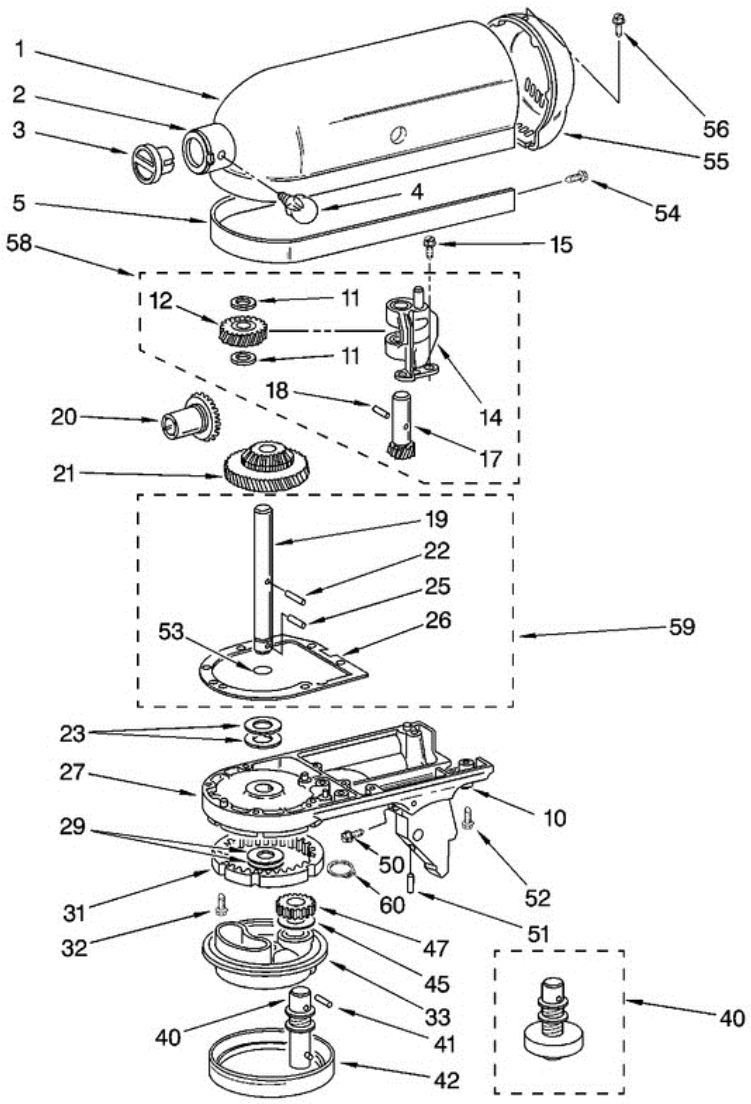




**3K45SS BASE**

|    |           |   |
|----|-----------|---|
| 1  | 3400020   | SCREW                                     |
| 2  | 4163032   | SCREW CAP KIT                             |
| 3  | 242928    | LEVER, LATCH                              |
| 4  | 24450     | LINK, LATCH                               |
| 5  | 4161530   | FOOT, BASE                                |
| 6  | 240151-1  | PEDESTAL-WHITE                            |
| 6  | 240151-15 | PEDESTAL-ALMOND CREME                     |
| 6  | 3184273   | PEDESTAL-WHITE (INTERNATIONAL)            |
| 7  | 16910     | PIN, HINGE                                |
| 8  | 103993    | SCREW, LATCH BEARING                      |
| 9  | 24452     | LATCH, LINK & LEVER                       |
| 10 | 240494-2  | LATCH                                     |
| 11 | 4159598   | WASHER                                    |
| 12 | 110679    | SCREW, PIVOT                              |
| 13 | 116241    | WASHER, SPRING                            |
| 14 | 4176018   | COVER, BOWL                               |
| 15 | 9707669   | BEATER, FLAT                              |
| 16 | 4162160   | BOWL, SATIN STAINLESS                     |
| 17 | 9707671   | DOUGH HOOK                                |
| 18 | 9704329   | WHIP, WIRE                                |
| 19 | 4176452   | POURING SHIELD, ONE-PIECE (INTERNATIONAL) |
| 20 | 3184262   | HEAD LOCK (INTERNATIONAL) (WHITE)         |

**3K45SS CAJA ENGRANAJE**





## 3K45SS CAJA ENGRANAJE

|    |           |   |
|----|-----------|---|
| 1  | 240291-1  | MOTOR HOUSING (WHITE)                         |
| 1  | 240291-16 | MOTOR HOUSING (ALMOND CREME)                  |
| 2  | 16897     | RING, ATTACHMENT HUB                          |
| 3  | 242765-2  | CAP, ATTACHMENT HUB                           |
| 4  | 4162142   | THUMB SCREW                                   |
| 5  | 9702629   | TRIM BAND-WHITE                               |
| 5  | 9704635   | TRIM BAND-K45SS-3                             |
| 5  | 9705169   | TRIM BAND-INTERNATIONAL                       |
| 5  | 9706916   | TRIM BAND-KSM75                               |
| 10 | 4159479   | LOCK WASHER, NO.10 LIGHT                      |
| 11 | 3180161   | WASHER, FIBER (BLACK, GRAY)                   |
| 12 | 4162897   | WORM GEAR (23T)                               |
| 14 | 240308    | WORM GEAR BRACKET AND BEARING                 |
| 15 | 3400022   | SCREW AND L.W. ASSY.                          |
| 17 | 4162037   | SHAFT & PINION (10T)                          |
| 18 | 9705444   | PIN   |
| 19 | 240026    | SHAFT, VERTICAL CENTER                        |
| 20 | 9703907   | GEAR, ATTACHMENT HUB BEVEL (23T)              |
| 21 | 9703905   | BEVEL PINION (19T) & CENTER GEAR (62T)        |
| 22 | 240018-1  | PIN (VERTICAL CENTER SHAFT)                   |
| 23 | 3180163   | WASHER, FIBER (BLACK, GRAY)                   |
| 25 | 9705443   | PIN   |
| 26 | 4162324   | GASKET, TRANSMISSION CASE                     |
| 27 | 240350-4  | LOWER GEARCASE-WHITE                          |
| 27 | 240350-62 | LOWER GEARCASE-ALMOND CREME                   |
| 29 | 3180163   | WASHER, FIBER (BLACK, GRAY)                   |
| 31 | 9703904   | GEAR, INTERNAL (59T)                          |
| 32 | 103994    | SCREW, SPECIAL (5)                            |
| 33 | 240286-1  | PLANETARY-WHITE                               |
| 33 | 240286-18 | PLANETARY (ALMOND CREME)                      |
| 40 | 3184052   | AGITATOR SHAFT (INCLUDES CUP) (INTERNATIONAL) |
| 40 | 4176067   | AGITATOR SHAFT (INCLUDES ILLUS. 60)           |
| 41 | 240018-1  | PIN (VERTICAL CENTER SHAFT)                   |

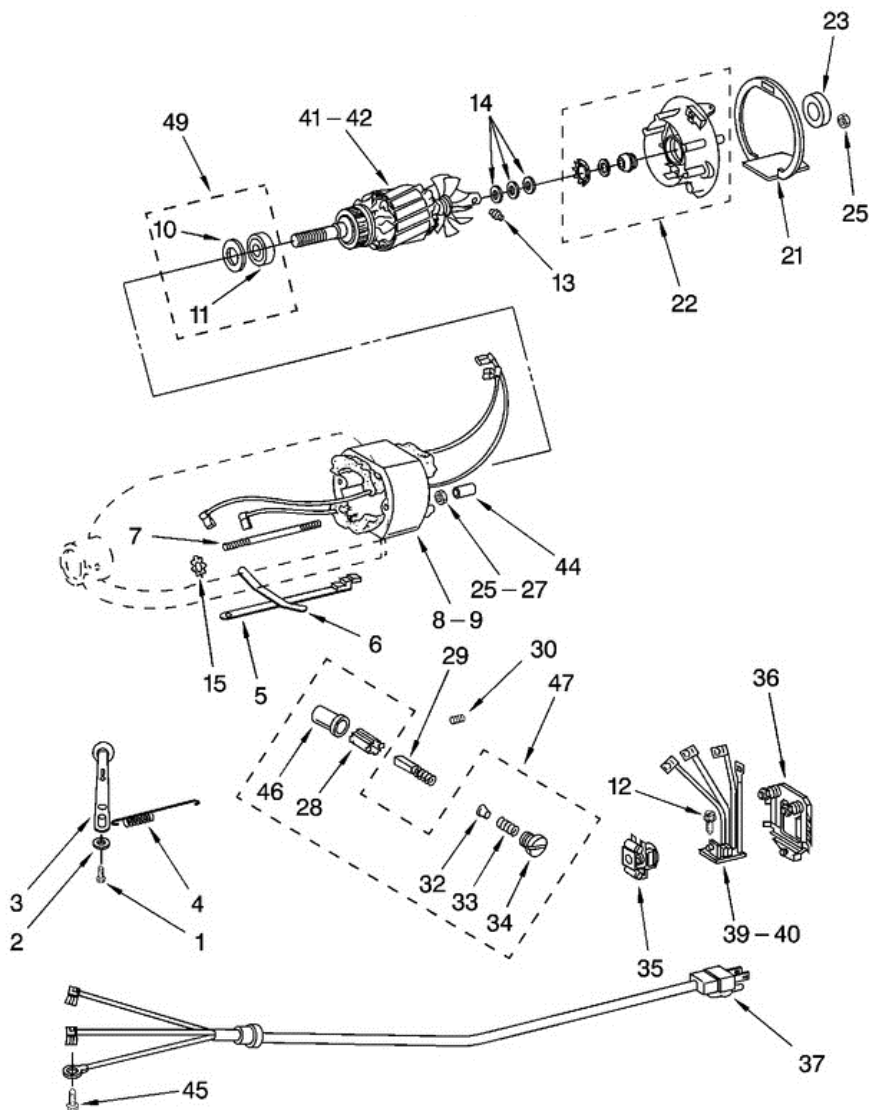
|    |           |   |
|----|-----------|---|
| 42 | 240285    | RING, PLANETARY DRIP                        |
| 45 | 3180160   | WASHER, SHIM (.015`` THK.) (.031`` THK.)    |
| 47 | 9703903   | GEAR  |
| 50 | 4160413   | SCREW, ADJUSTING                            |
| 51 | 3400203   | SET SCREW, 1/4``- 28 X 3/8`` HDLS., CUP PT. |
| 52 | 3400025   | MACHINE SCREW, 10-24 X 1 FIL. HEAD          |
| 53 | 67500-55  | O-RING                                      |
| 54 | 311932    | SCREW, 6-32 X .250                          |
| 55 | 240253-1  | END COVER-WHITE                             |
| 55 | 240253-16 | END COVER (ALMOND CREME)                    |
| 56 | 4162914   | SCREW, 6-32 X 3/8 PHIL. OVAL HD.            |
| 58 | 4162100   | WORM GEAR BRKT & GEAR                       |
| 59 | 4160474   | CENTER SHAFT & ``O`` RING                   |
| 60 | 9703438   | RING  |

Distribuidor Autorizado

SurteRápido.com

Venta de Refacciones  
Electrodomesticas

## 3K45SS MOTOR





## 3K45SS MOTOR

|    |          |  |
|----|----------|--|
| 1  | 110679   | SCREW, PIVOT                                   |
| 2  | 116241   | WASHER, SPRING                                 |
| 3  | 3184193  | SWITCH LEVER AND STUD                          |
| 4  | 3183680  | SPRING, CONTROL PLATE                          |
| 5  | 3184176  | SPEED LINK & CAM                               |
| 6  | 240205   | SPRING, FLAT                                   |
| 7  | 240769   | SCREW, STATOR                                  |
| 8  | 9702695  | FIELD ASSY                                     |
| 9  | 9701670  | FIELD ASSY                                     |
| 10 | 9704324  | WASHER, BALL BEARING (FRONT)                   |
| 11 | 4159001  | BALL BEARING SKF-6200ZJ                        |
| 12 | 3400402  | SCREW  |
| 13 | 16998    | STUD, GOVERNOR DRIVE                           |
| 14 | 3180162  | WASHER, SPACING BLACK, GRAY, RED, WHITE        |
| 15 | 3400900  | WASHER   |
| 21 | 240775-1 | SEAL, END                                      |
| 22 | 3180526  | BRACKET, BEARING ASSEMBLY                      |
| 23 | 3180238  | WASHER   |
| 25 | 8533905  | NUT, MACHINE HEX (10-24)                       |
| 27 | 4159494  | LOCK WASHER NO.10 EXT. SHAKE- PROOF            |
| 28 | 240680   | INSERT, BRUSH HOLDER                           |
| 29 | 9706416  | BRUSH, CARBON                                  |
| 30 | 9707926  | SET SCREW, 10-24 X 1/4` HDLS. CUP PT           |
| 32 | 116286   | CAP, SPRING SEAT                               |
| 33 | 116287   | SPRING, CAP                                    |
| 34 | 3184211  | CAP, BRUSH HOLDER (WHITE)                      |
| 34 | 3184212  | CAP, BRUSH HOLDER (BLACK)                      |
| 34 | 3184213  | CAP, BRUSH HOLDER (ALMOND CREME)               |
| 35 | 17830    | GOVERNOR ASSEMBLY                              |
| 36 | 240904-2 | CONTROL PLATE ASSEMBLY                         |
| 37 | 4162608  | CORD & PLUG 110 VOLT (CORD & PLUG (220 VOLTS)) |
| 37 | 9701025  | CORD & PLUG 115V (WHITE)                       |
| 37 | 9701026  | CORD & PLUG 115V (BLACK)                       |

|    |          |   |
|----|----------|---|
| 37 | 9702318  | CORD & PLUG 110 VOLT-WHITE (INTERNATIONAL)        |
| 39 | 9706595  | PHASE CONTROL BOARD                               |
| 40 | 9706596  | PHASE CONTROL BOARD (230 VOLT)                    |
| 41 | 241991-1 | ARMATURE & BEARING INCLS. ILLUS 11)               |
| 42 | 241991-4 | ARMATURE/BEARING                                  |
| 44 | 4162634  | SLEEVE, MOTOR STUD                                |
| 45 | 3184609  | SCREW   |
| 46 | 3179908  | HOUSING, BRUSH HOLDER                             |
| 47 | 4162546  | BRUSH HOLDER (INCLS. ILLUS. 28, 32, 33, 34, & 46) |
| 49 | 3177924  | BOWL COVER, PLASTIC NON-SEALING                   |
| 49 | 3177975  | POURING SHIELD (KPS2CL)                           |
| 49 | 3180262  | BOWL, 3 QT.                                       |
| 49 | 3180617  | COVER, DECORATIVE (COTTON POLYESTER)              |
| 49 | 4162160  | BOWL, SATIN STAINLESS                             |
| 49 | 4162838  | FOOD TRAY (FT)                                    |
| 49 | 4163337  | BOWL, STAINLESS WITH HANDLE                       |
| 49 | 4164747  | CAN OPENER (CO)                                   |
| 49 | 4164748  | JUICER (JE)                                       |
| 49 | 4164749  | FOOD GRINDER (FG-A)                               |
| 49 | 4164750  | ROTOR SLICER/SHREDDER                             |
| 49 | 4164751  | GRAIN MILL (GM-A)                                 |
| 49 | 4164768  | PASTA MAKER AND FOOD GRINDER                      |
| 49 | 4164774  | FRUIT/VEGETABLE STRAINER AND FOOD GRINDER         |
| 49 | 4164775  | FRUIT/VEGETABLE STRAINER PARTS                    |
| 49 | 4164778  | MIXER ATTACHMENT PAK                              |
| 49 | 4164803  | SAUSAGE STUFFER KIT (SSA)                         |
| 49 | 4164824  | PASTA MAKER PLATES (SNPA)                         |
| 49 | 4176025  | BALL BEARING AND WASHER KIT                       |