



SIDE BY SIDE REFRIGERATOR

MODELS:

5WRS315NHM00 (Stainless)

5WRS315NHW00 (White)



REFRIGERADOR 5WRS315NH

<u>Illus. No.</u>	<u>Part No.</u>	<u>Description</u>
1		Literature Parts
	W11335015	Use and Care Guide
	W11443740	Tech Sheet
	W11447261	Energy Guide
2	Assembly, RollerW10304660	Left Hand
3	2152958	Screw
4	2150304	Roller
5	2262072	Axle, Roller
6	2155013	Clip, Grille
7	W11036715	Plate, Screw (Refrigerator)
	W10904380	Plate, Screw (Freezer)
8	W11087168	Clip, Roller
9		Hinge, Top
	W11167022	Left Hand
	W11167023	Right Hand

<u>Illus. No.</u>	<u>Part No.</u>	<u>Description</u>
10	W11095731	Closer, Door (Freezer)
11	488500	Screw
12	W10142234	Screw
13	W11093938	Assembly, Bottom Hinge (Freezer)
14	3400113	Screw
15		Assembly, Roller
	W10304659	Right Hand
16		Filler, Wrapper
	W11219639	White
	W11219642	Grey
17		Grille
	W11226349	White
	W11226348	Grey
18	W10290781	Screw, Hinge
19		Cabinet (Not A Servicable Part)

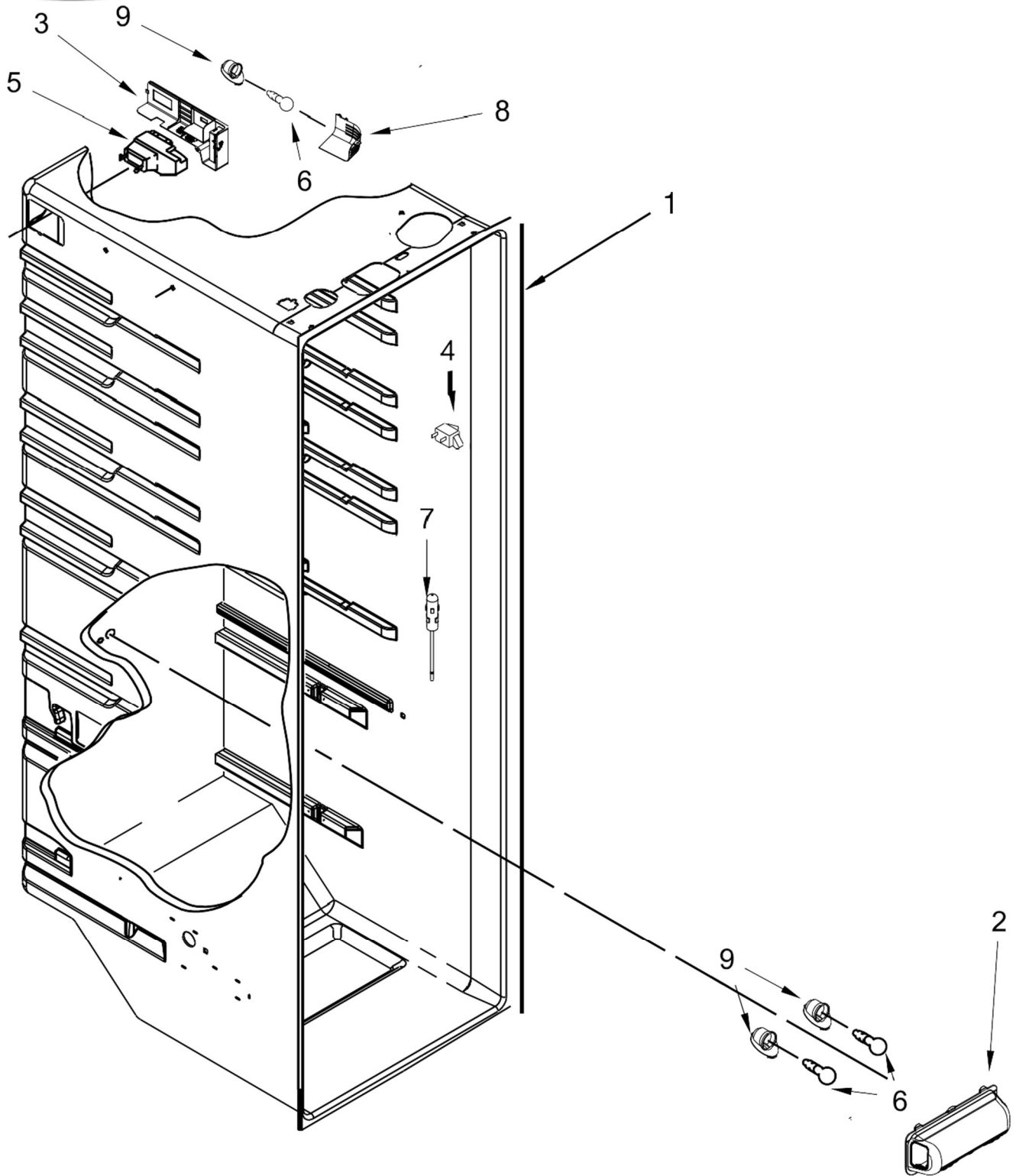
<u>Illus. No.</u>	<u>Part No.</u>	<u>Description</u>
20	W10905504	Closer, Lower Cam Door (Refrigerator)
21	489464	Screw
22	2304888	Fitting, Drain
23	W10153550	Extension, Drain Fitting
24	W11305037	Cover Assy-Unit-Compartment
25	W11097327	Assembly, Bottom Hinge (Refrigerator)
26	549193	Clamp, Power Cord
27	W10141645	Screw

Distribuidor Autorizado

SurteRápido.com

Venta de Refacciones
Electrodomesticas

REFRIGERADOR 5WRS315NH



Distribuidor Autorizado

SurteRápido.com

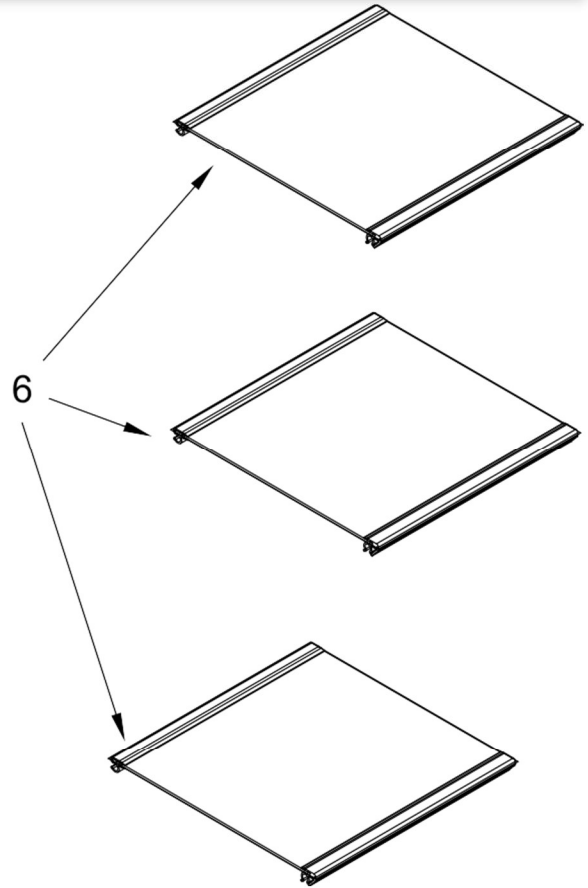
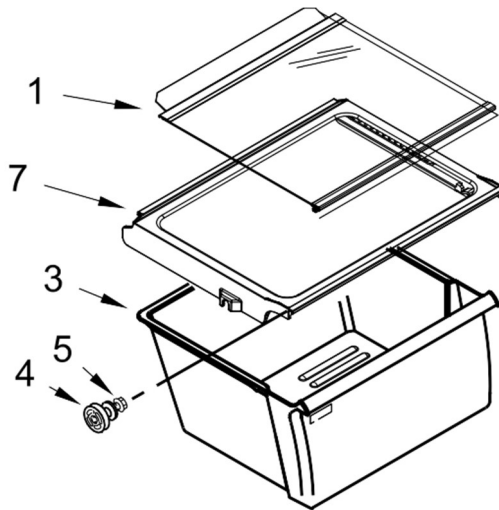
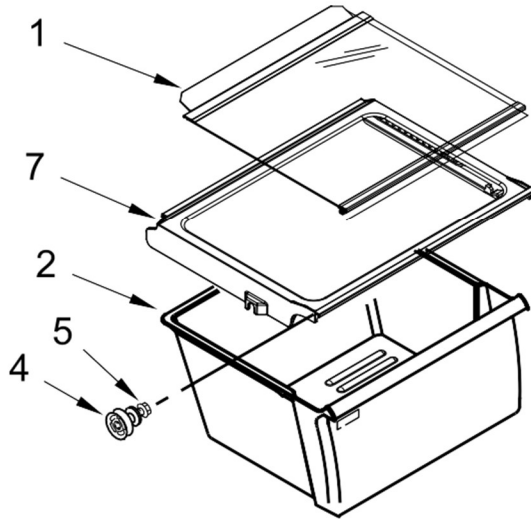
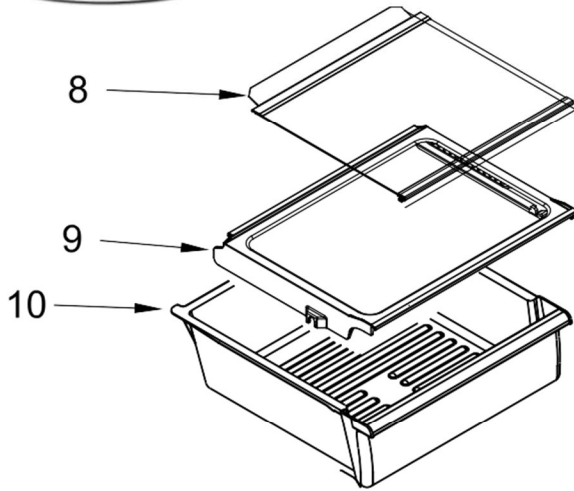
Venta de Refacciones
Electrodomesticas



REFRIGERADOR 5WRS315NH

<u>Illus.</u> <u>No.</u>	<u>Part No.</u>	<u>Description</u>	<u>Illus.</u> <u>No.</u>	<u>Part No.</u>	<u>Description</u>	<u>Illus.</u> <u>No.</u>	<u>Part No.</u>	<u>Description</u>
1		Liner (Not A Serviceable Part)	3	W11048608	Cover, Air Diffuser	6	W10716219	Bulb, Light
2	W10166130	Lens, Light (Includes Gasket)	4	W11234536	Switch, Rocker Arm	7	W10384183	Thermistor
			5	W11204060	Assembly, Air Diffuser	8	W10900030	Cover, Light
						9	W10134764	Socket, Light

REFRIGERADOR 5WRS315NH



Distribuidor Autorizado

SurteRápido.com

Venta de Refacciones
Electrodomesticas



REFRIGERADOR 5WRS315NH

Illus.
No. Part No. Description

1 W11351248 Assembly, Cover
2 W11046494 Pan, Crisper
3 W11046495 Pan, Meat
4 W10173126 Assembly, Shelf Stud

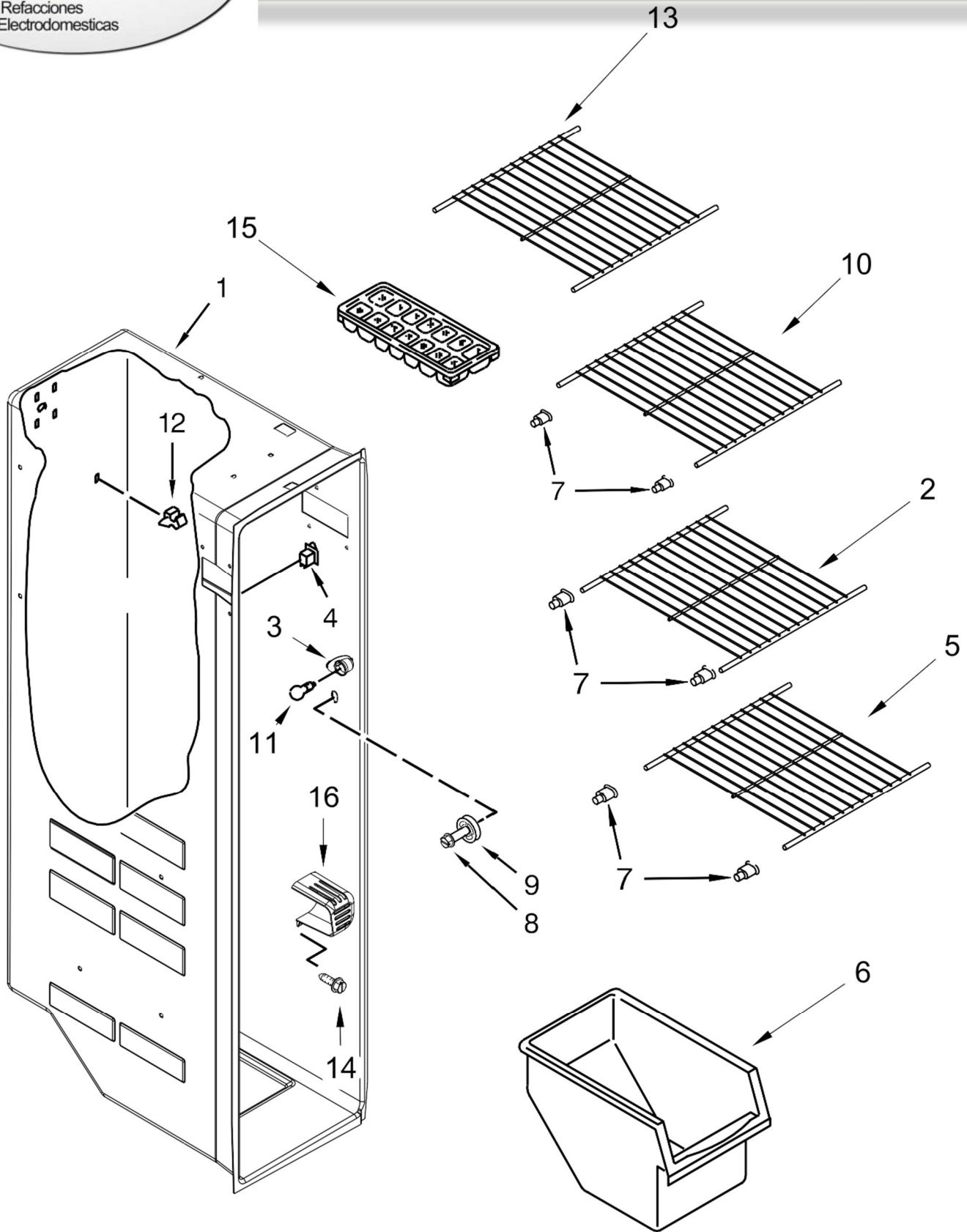
Illus.
No. Part No. Description

5 W10191954 Screw
6 W11135529 Assembly, Shelf
7 W10904001 Holder, Pan
8 W11351247 Shelf, Snack

Illus.
No. Part No. Description

9 W10912335 Holder, Snack Pan
10 W11046493 Pan, Snack

REFRIGERADOR 5WRS315NH



Distribuidor Autorizado

SurteRápido.com

Venta de Refacciones
Electrodomesticas

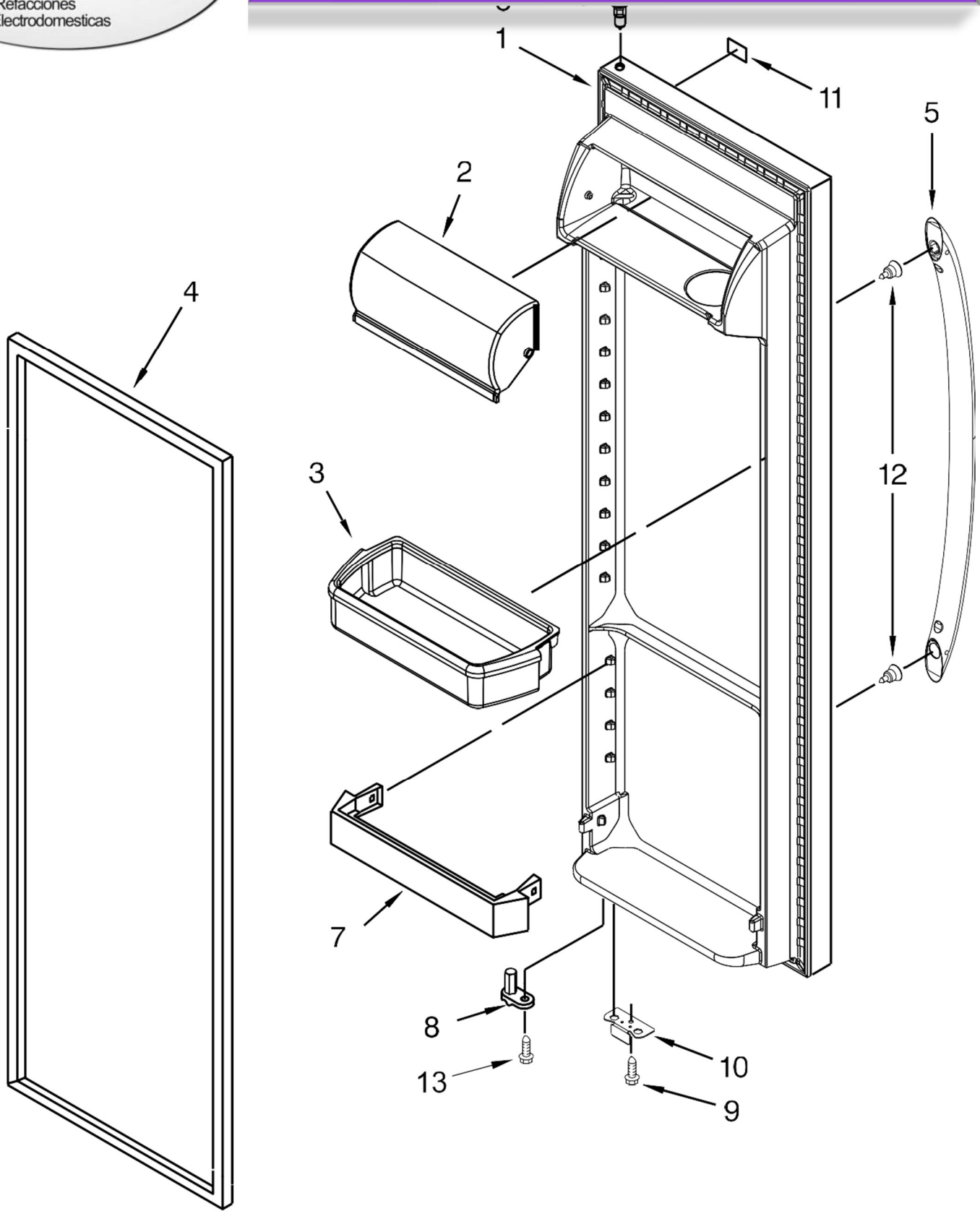
REFRIGERADOR 5WRS315NH

<u>Illus.</u> <u>No.</u>	<u>Part No.</u>	<u>Description</u>
1		Liner (Not A Serviceable Part)
2	W10318948	Shelf, Wire
3	2155597	Socket, Light
4	W10847849	Switch, Light

<u>Illus.</u> <u>No.</u>	<u>Part No.</u>	<u>Description</u>
5	W10318947	Shelf, Wire
6	2309757	Bin, Freezer
7	W10130299	Cup, Shelf
8	W10191954	Screw
9	2196208	Assembly, Stud
10	W10318961	Shelf, Wire

<u>Illus.</u> <u>No.</u>	<u>Part No.</u>	<u>Description</u>
11	W10716219	Bulb, Light
12	2315163	Clip, Air Duct
13	W10318945	Shelf, Wire
14	3400893	Screw
15	841180	Tray, Ice Cube
16	2212340	Cover, Light Lens

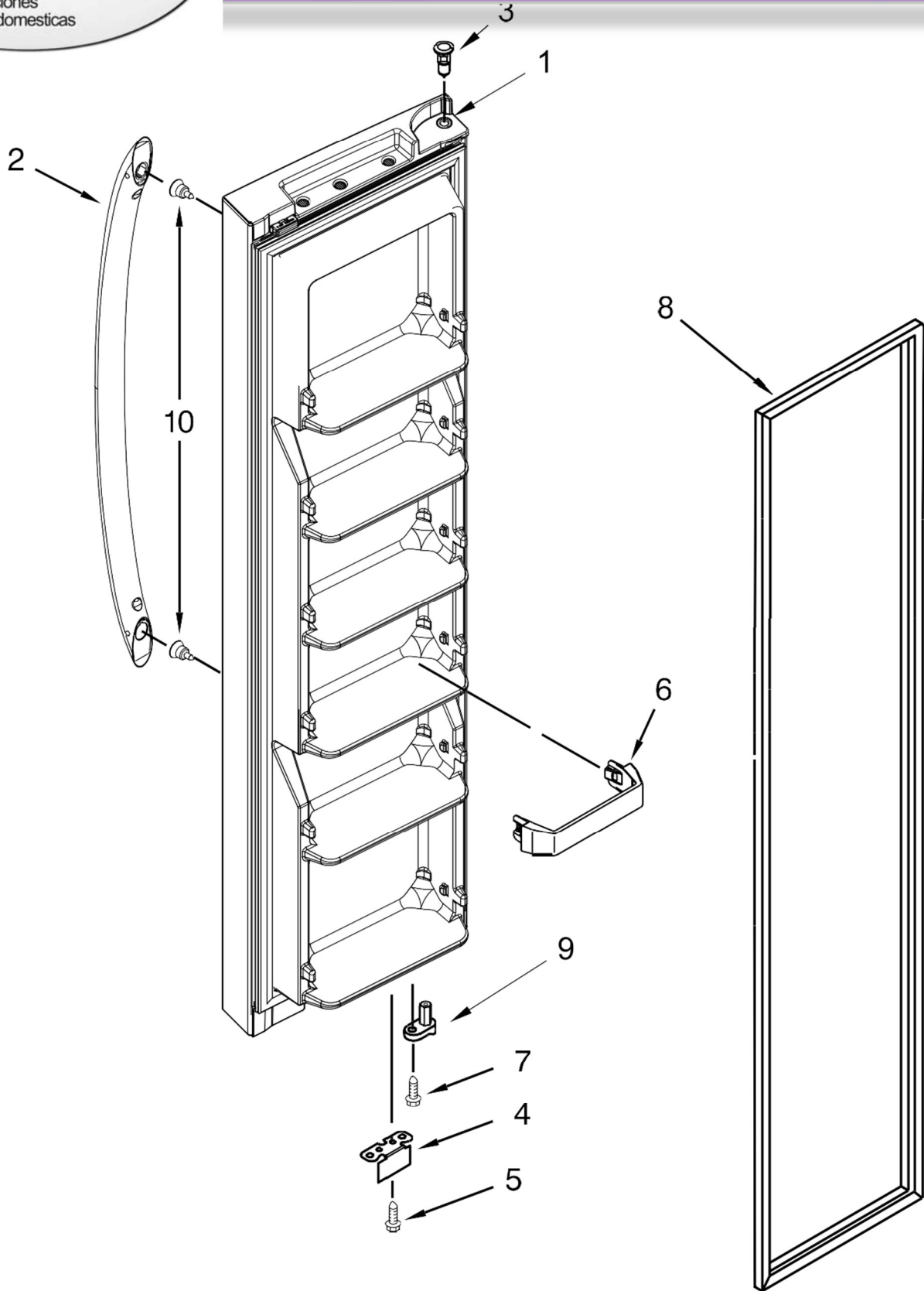
REFRIGERADOR 5WRS315NH



REFRIGERADOR 5WRS315NH

<u>Illus.</u> <u>No.</u>	<u>Part No.</u>	<u>Description</u>	<u>Illus.</u> <u>No.</u>	<u>Part No.</u>	<u>Description</u>	<u>Illus.</u> <u>No.</u>	<u>Part No.</u>	<u>Description</u>
1		Door, Refrigerator (Includes Door Gasket)	5		Handle	12	W10460893	Screw
	W10912118	White		W11289637	White	13	W10142283	Screw (White)
	W11110269	Stainless		W11045530	Stainless			
2	2256101	Door, Compartment	6	2200087	Thimble			
3	W10269173	Door Bin, Shallow	7	2309941	Trivet			
4		Gasket, Door	8	W10900464	Thimble, Cam			
	W10912123	Beige	9	489420	Screw			
	W10912081	Grey	10		Bracket, Door Stop			
				W10900463	Black			
			11	W10884773	Badge			

REFRIGERADOR 5WRS315NH



Distribuidor Autorizado

SurteRápido.com

Venta de Refacciones
Electrodomesticas

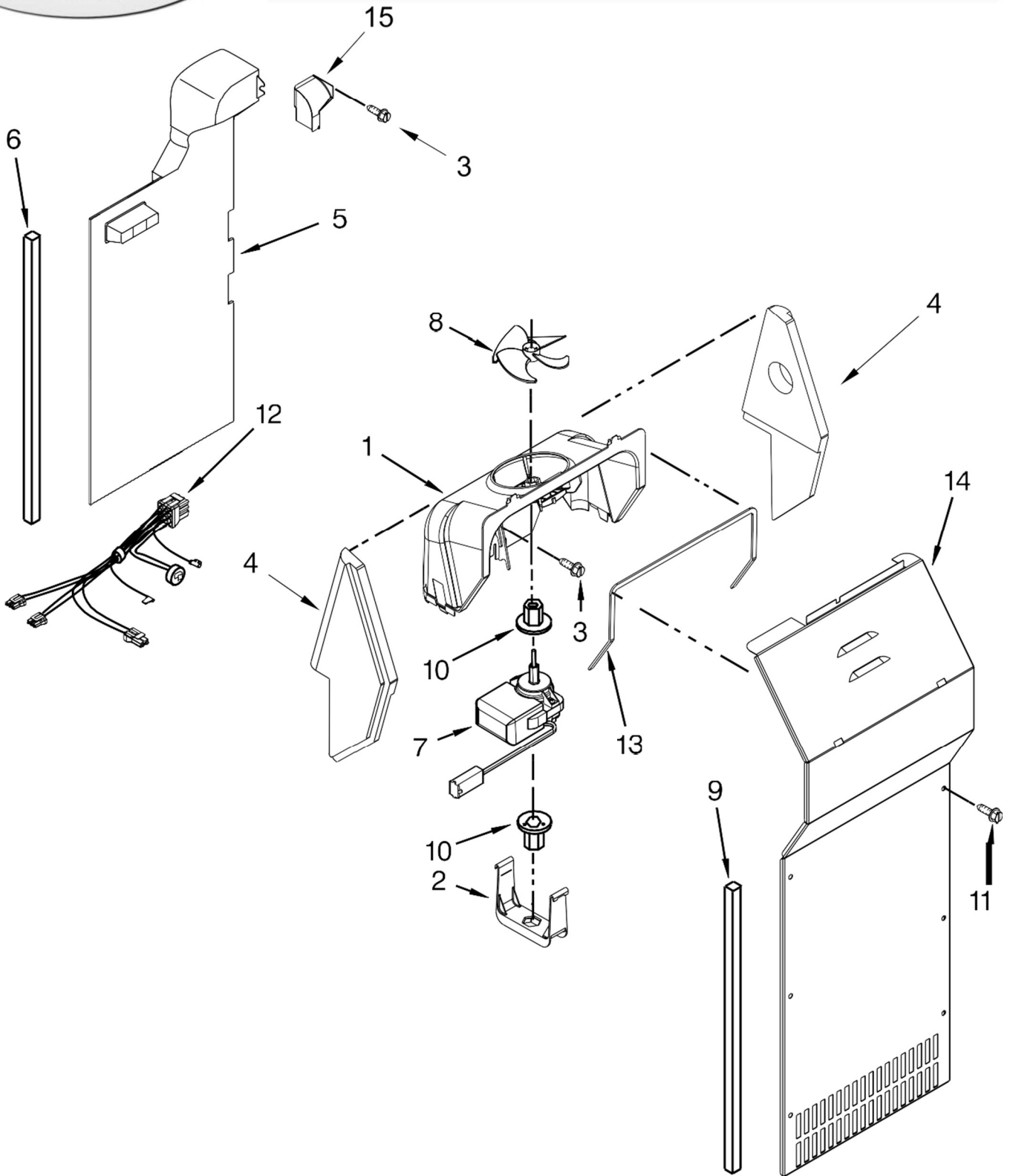
REFRIGERADOR 5WRS315NH

<u>Illus.</u> <u>No.</u>	<u>Part No.</u>	<u>Description</u>
1		Door, Freezer (Incluaes item 8)
	W11309780	White
	W11378604	Stainless
2		Handle
	W11289637	White
	W11045530	Stainless
3	2200087	Thimble

<u>Illus.</u> <u>No.</u>	<u>Part No.</u>	<u>Description</u>
4		Bracket, Door Stop
	W10900531	Black
5	W10296816	Screw
6	2171157	Trivet
7	W10296804	Screw
8		Gasket, Door
	W10911412	Beige
	W10911389	Grey

<u>Illus.</u> <u>No.</u>	<u>Part No.</u>	<u>Description</u>
9	W10900532	Thimble, Cam
10	W10460893	Screw

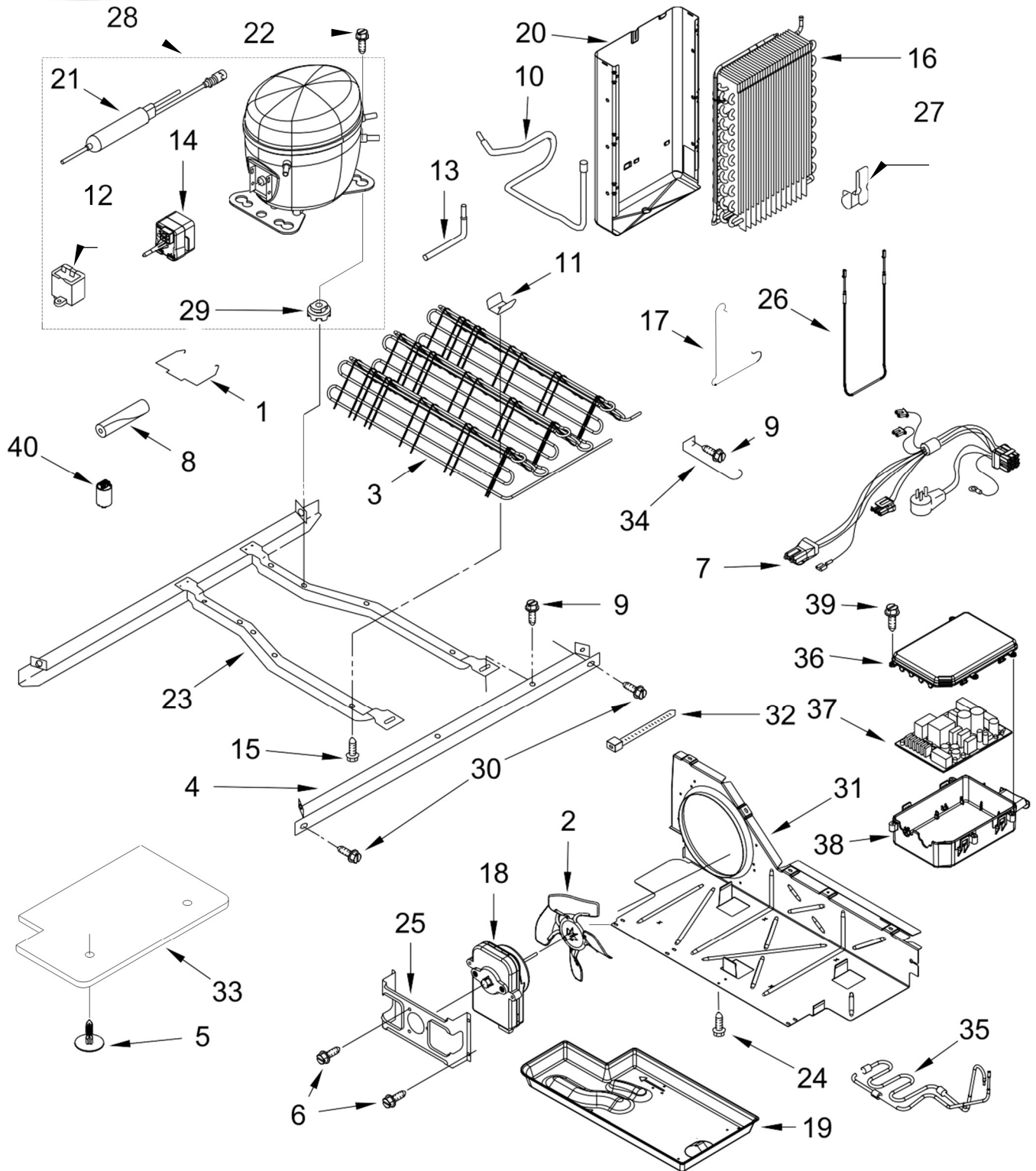
REFRIGERADOR 5WRS315NH



REFRIGERADOR 5WRS315NH

<u>Illus. No.</u>	<u>Part No.</u>	<u>Description</u>	<u>Illus. No.</u>	<u>Part No.</u>	<u>Description</u>	<u>Illus. No.</u>	<u>Part No.</u>	<u>Description</u>
1	W11228713	Scroll, Fan	6	2203876	Gasket	12	W11208468	Harness, Evaporator Fan (Includes Thermal Fuse)
2	W10188846	Retainer, Fan Motor	7	2321275	Motor, Fan	13	2155789	Gasket
3	489478	Screw	8	2169142	Blade, Fan	14	W10463013	Cover, Evaporator
4		Support, Fan Scroll	9	2304241	Gasket	15	W10803597	Scoop, Air Assembly
	2203596	Left Hand	10	2176759	Grommet, Motor			
	2203595	Right Hand	11	W10142292	Screw			
5	2203594	Duct, Freezer Air						

REFRIGERADOR 5WRS315NH



REFRIGERADOR 5WRS315NH

<u>Illus. No.</u>	<u>Part No.</u>	<u>Description</u>
1	2302129	Strap, Bale
2	2225834	Blade, Fan
3	W10904626	Assembly, Condenser
4	W10900442	Rail, Unit Mounting
5	489396	Clip
6	8533993	Screw
7	W11327502	Harness, Unit (Includes Power Cord)
8	2161302	Sleeve
9	489427	Screw
10	W10745337	Tube, Suction
11	2311725	Clip, Condenser
12	2321245	Capacitor
13	2325479	Tube, Process
14	W10796753	Device, Start
15	8281232	Screw
16	2188823	Evaporator
17	2161324	Clip, Defrost Heater
18	W10293680	Fan, Motor
19	W10897557	Tray, Evaporator

<u>Illus. No.</u>	<u>Part No.</u>	<u>Description</u>
20	W10194475	Assembly, Heat Shield and Drain Pan
21	W10771114	Drier
22	489473	Screw
23	W10900445	Frame, Unit Mounting
24	489464	Screw
25	2181929	Bracket, Fan Mounting
26	W10123653	Heater, Defrost
27	2161324	Clip, Defrost Heater
28	W10120455	Compressor
29	W10836504	Grommet, Compressor
30	489340	Bolt
31	W10897567	Baffle, Air
32	2263990	Tie, Wire
33	W10897560	Assembly, Unit Cover (Bottom)
34	1110663	Guard, Fan
35	W11189542	Assembly, Precooler Formed

<u>Illus. No.</u>	<u>Part No.</u>	<u>Description</u>
36	W11407236	Cover, Control
37	W11307913	Control, Electronic
38	2323186	Box, Control
39	8533859	Screw
40	W10738041	Filter, EMI
FOLLOWING PARTS NOT ILLUSTRATED		
	978025	Valve, Access (1/4")
	978026	Valve, Access (5/16")
	978027	Valve, Access (3/8")
	978029	Valve, Access (5/8")
	978030	Valve, Access (3/4")
	876764	Valve, Access (3/16")
REFRIGERANT CHARGE		
5.5 oz (R-134A)		

OPTIONAL PARTS

PAINT, PRESSURIZED SPRAY (12 OZ.)

<u>Illus. No.</u>	<u>Part No.</u>	<u>Description</u>
	350942	White Primer
	350939	Enamel, Black
	350930	White
	4392901	Biscuit/Bisque

PAINT, TOUCH-UP (1/2OZ.)

<u>Illus. No.</u>	<u>Part No.</u>	<u>Description</u>
	72017	White
	72032	Black
	4392899	Biscuit/Bisque
	W10134625	Apollo Grey

PAINT, BULK (1 QT.)

<u>Illus. No.</u>	<u>Part No.</u>	<u>Description</u>
	799344	White (Uncut)
	4392900	Biscuit/Bisque

Illus. No. Part No. Description

	212643	Sealer, Gum (4 Feet)
	479502	Tape, Vinyl (3/4 x 108")
	505587	Sealer, Mastic (1 Qt)
	503695	Cork, Sealer
	542638	Grease, Silicone (1/2 Oz.)
	542639	Cement, Alumilastic (1 1/4 Oz.)
	833938	Kit, Terminal Connector
	8003RP	Kit, Water Inlet
	W10300794	Kit, Handle Installation
		Ice Maker Assembly (3ECKMF87) See Dealer For Pricing And Availability

TORX SCREW WRENCH

Illus. No. Part No. Description

	1117510	Torx Key
--	---------	----------