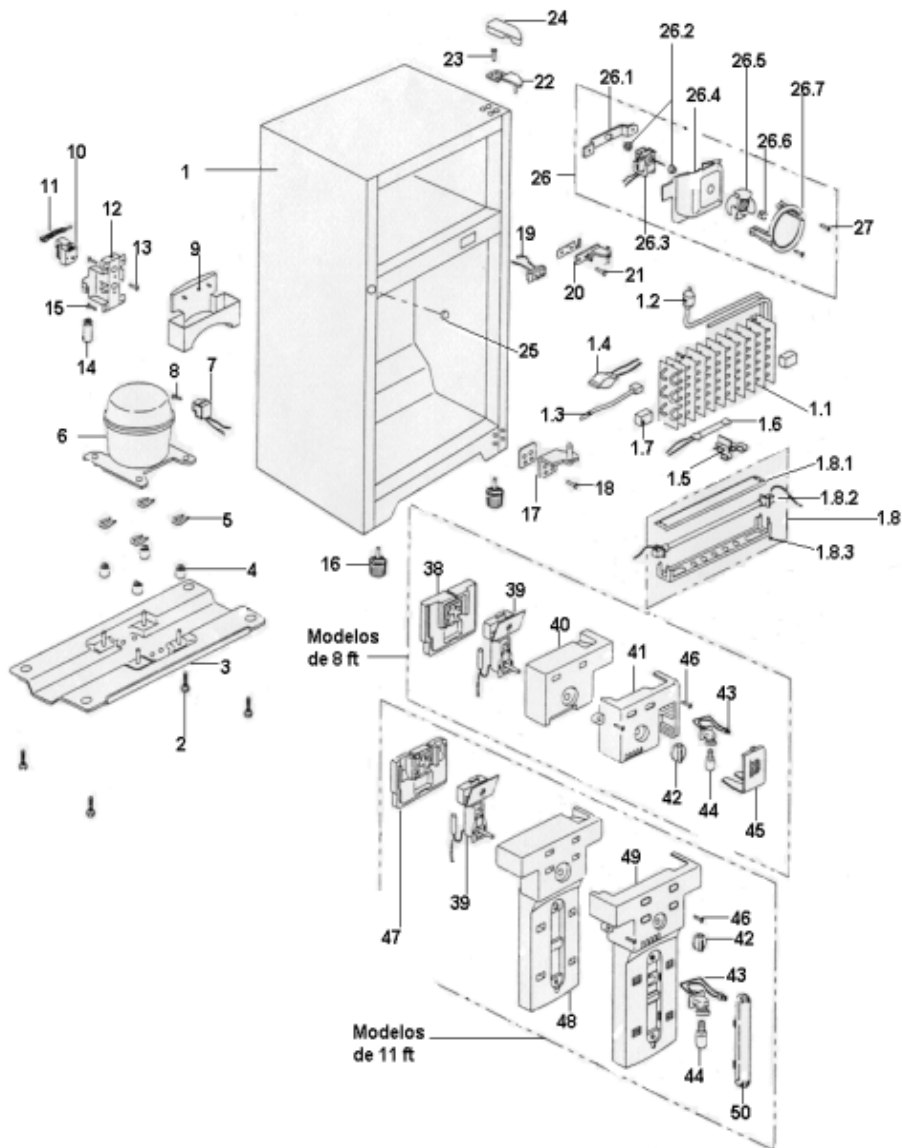


Distribuidor Autorizado

SurteRápido.com

Venta de Refacciones
Electrodomesticas

5WRT11EGLJB0

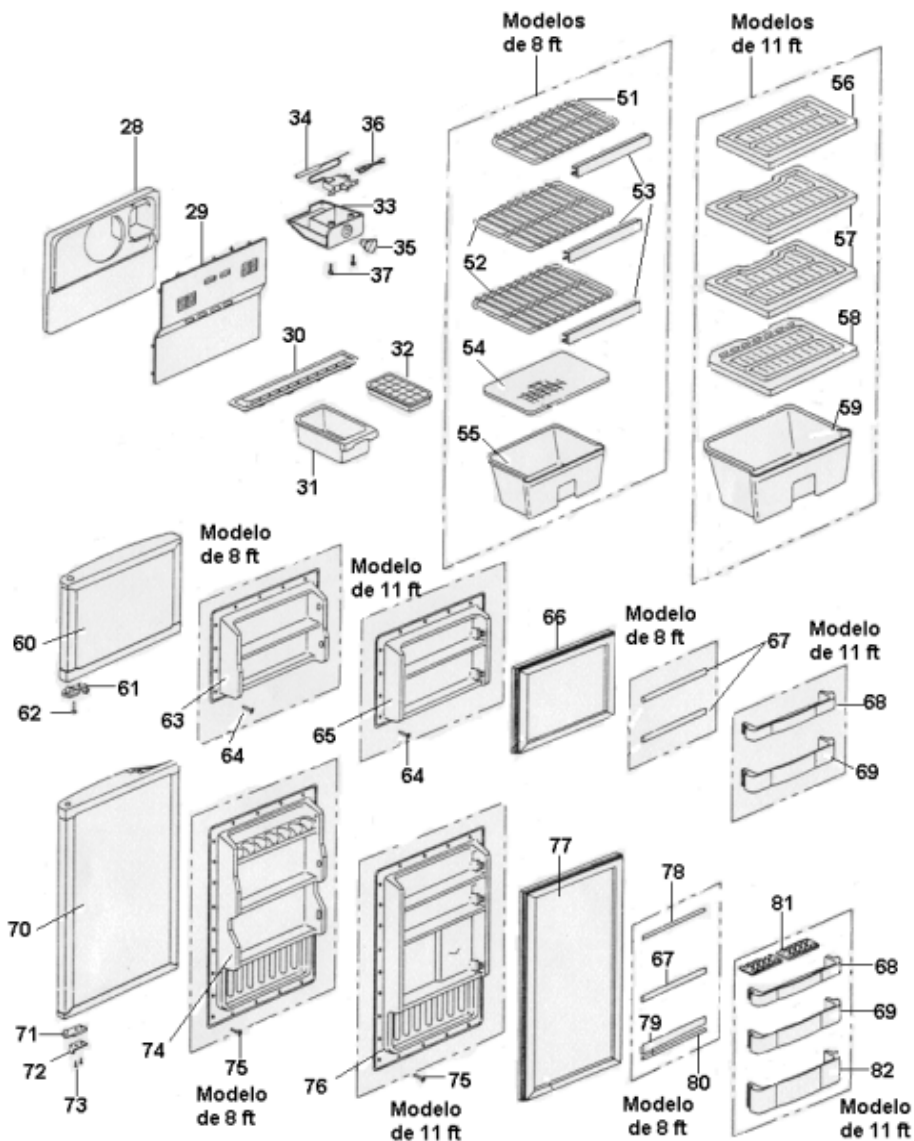


Distribuidor Autorizado

SurteRápido.com

Venta de Refacciones
Electrodomesticas

5WRT11EGLJB0





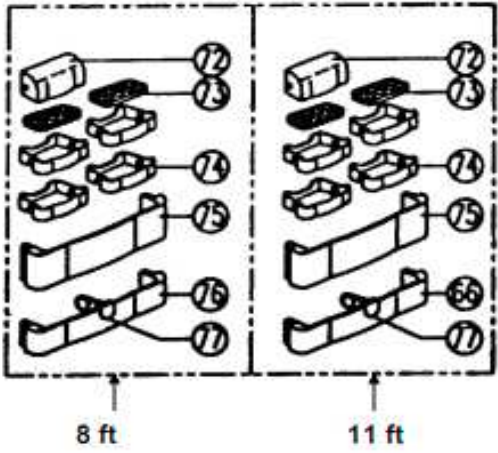
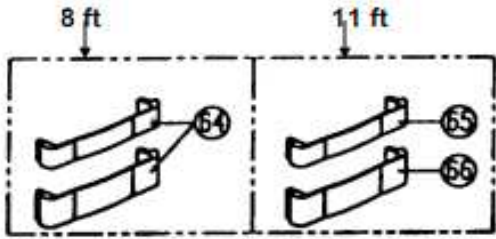
5WRT11EGLJB0

1	3010801200	ASSY CAB URT (S/P)
1.1	3017001200	EVAPORATOR AS (S/P)
1.2	3016100500	ACCUM AS (S/P)
1.3	4016N03283	CLAMP CABLE (S/P)
1.4	3018100603	BIMETAL AS (S/P)
1.5	4017290590	FIXTURE FUSE TEMP (S/P)
1.6	400EL21216	FUSE TEMP ASS (S/P)
1.7	3017001600	PAD EVA (S/P)
1.8	3010047900	ASSY D HTR (S/P)
1.8.1	4017Z73573	COVER DEFR HTR*T (S/P)
1.8.2	3012802803	D HEATER ASSY 127 V (S/P)
1.8.3	4017Z73583	COVER DEFR HTR*U (S/P)
2	4010G01126	BOLT SPECL (S/P)
3	3010304500	BASE COMPRESSOR (S/P)
4	3010100201	ABSORBER COMPRESSOR (S/P)
5	4019H09033	WASHER SPECL (S/P)
6	20505214099	COMPRESSOR (S/P)
7	3018103030	P-RELAY AS (S/P)
9	3011108500	CASE VAPORY (S/P)
10	3018101200	TIMER DEFROST (S/P)
11	3012710800	HARNESS POWER BOX (S/P)
12	3010504400	BOX POWER (S/P)
13	7112401211	SCREW TAPPING (S/P)
14	3016400450	CAPACITOR (S/P)
15	7112401211	SCREW TAPPING (S/P)
16	4017Z40195	FOOT ADJ AS (S/P)
17	3012901900	HINGE U ASS (S/P)
18	7650602011	BOLT HEX (S/P)
19	3010023400	ASSY DOOR S/W (S/P)
20	3012900610	HINGE M ASS (S/P)
21	3016000203	SCREW SPECIAL (S/P)

22	3012900900	HINGE T ASS (S/P)
23	7640501611	BOLT HEX (S/P)
24	3010908900	CAP T HINGE (S/P)
25	3010903200	CAP SCREW (S/P)
26	3015900800	FAN MOTOR ASS (S/P)
26	30145520203	COVER FAN MOTOR (B) (S/P)
26	4017Z32244	ABSORBER MOTOR (S/P)
26	4017Z08430	FAN MOTOR (S/P)
26	3015900803	COVER FAN MOTOR (C) (S/P)
26	4017Z32233	FAN (S/P)
26	4017Z42311	FIXTURE FAN (S/P)
26	4004Q10063	COVER FAN MOTOR (A) (S/P)
27	4017Z86415	SCREW TAPPING (S/P)
28	7122402011	INSU F LOUVER (S/P)
29	3013320000	LOUVER F (S/P)
30	3018902800	DUCT RETURN (S/P)
31	3016903600	BOX ICE (S/P)
32	3011105510	CASE ICING (S/P)
33	4010G56014	BOX CONTROL (S/P)
34	3010509900	THERMOSTAT (S/P)
35	3018300700	KNOB C/SW (S/P)
36	4017G31041A	HARNESS C/S (S/P)
38	7112401211	INSULATOR DAMP B (S/P)
39	*****	DAMPER AS (S/P)
40	3016700703	INSULATOR DAMP A (S/P)
41	*****	COVER DAMP (S/P)
42	*****	KNOB DAMP (S/P)
43	4017G31152	LAMP R SOCKET (S/P)
44	3013600200	LAMP 127 V (S/P)
45	3013600210	WINDOW R (S/P)
46	*****	DUCT M/F DUCT ASSY (S/P)
47	3016904203	INSULATOR DAMP B (S/P)
48	3013317300	INSULATOR M/F DUCT (S/P)
49	3013317200	COVER MULTIFLOW DUCT (S/P)
50	3011413500	WINDOW R (S/P)
51	3015502000	SHELF F (S/P)

52	*****	SHELF R (S/P)
53	*****	DECORATOR SHELF (S/P)
54	3011601303	SHELF GLASS (S/P)
55	*****	CASE VEGETAL (S/P)
57	3017805910	GLASS SHELF R (S/P)
57	3017806520	MARCO PARRILLA CRISTAL (S/P)
58	3011413600	COVER VEGETABLE CASE (S/P)
59	3011108610	CASE VEGET B (S/P)
60	3014552020	DOOR FREEZER EMB (S/P)
60	3017816200	DOOR FREEZER LISA (S/P)
61	4010G38218	STOPPER M HINGE (S/P)
62	7112401600	SCREW TAPPING (S/P)
63	*****	LINER F (S/P)
64	7112401611	SCREW TAPPING (S/P)
65	3017406300	LINER F DR (S/P)
66	3012304100	GASKET FREEZ. DOOR (S/P)
67	*****	POCKET BAR B (S/P)
68	3019005200	POCKET F T (S/P)
69	30145520219	POCKET F U (S/P)
70	3019005300	DOOR REFRIG. EMB (S/P)
70	3014552021	DOOR REFRIG. LISA (S/P)
71	4010G38023	BUSHING R DR (S/P)
72	4010G38034	STOPPER R DR (S/P)
73	7650602014	BOLT HEX (S/P)
74	*****	LINER R (S/P)
76	3017406400	LINER R DR (S/P)
77	3012303800	GASKET REF. DOOR (S/P)
78	*****	POCKET BAR C (S/P)
79	*****	POCKET BAR A (S/P)
80	*****	POCKET BAR D (S/P)
81	4017Z97174	CASE EGG (S/P)
82	3019005400	POCKET BOTTLE
83	3016800103	DRYER ASS (S/P)
84	3013525410	NAME PLATE (S/P)
85	3016904200	AIR DIFFUSER (S/P)

5WRT11EGLJB0





5WRT11EGLJB0

64	3012510800	POCKET F T (S/P)
65	***	POCKET F T (S/P)
66	3011164000	POCKET F U (S/P)
72	3011161400	COVER DAIRY (S/P)
73	3019005400	CASE EGG
74	***	CASE DAIRY (S/P)
75	3019005200	POCKET JUMBO (S/P)
76	3019005300	POCKET F U (S/P)
77	3011448500	GUIDE POCKET (S/P)