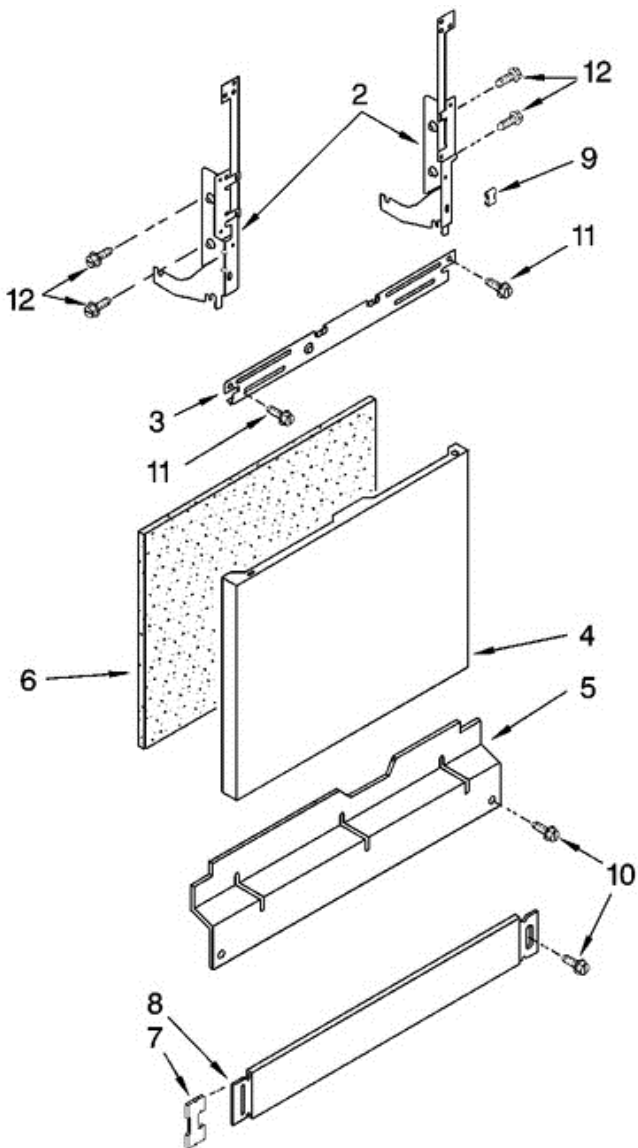


7DU1100XTSS0 DOOR AND PANEL

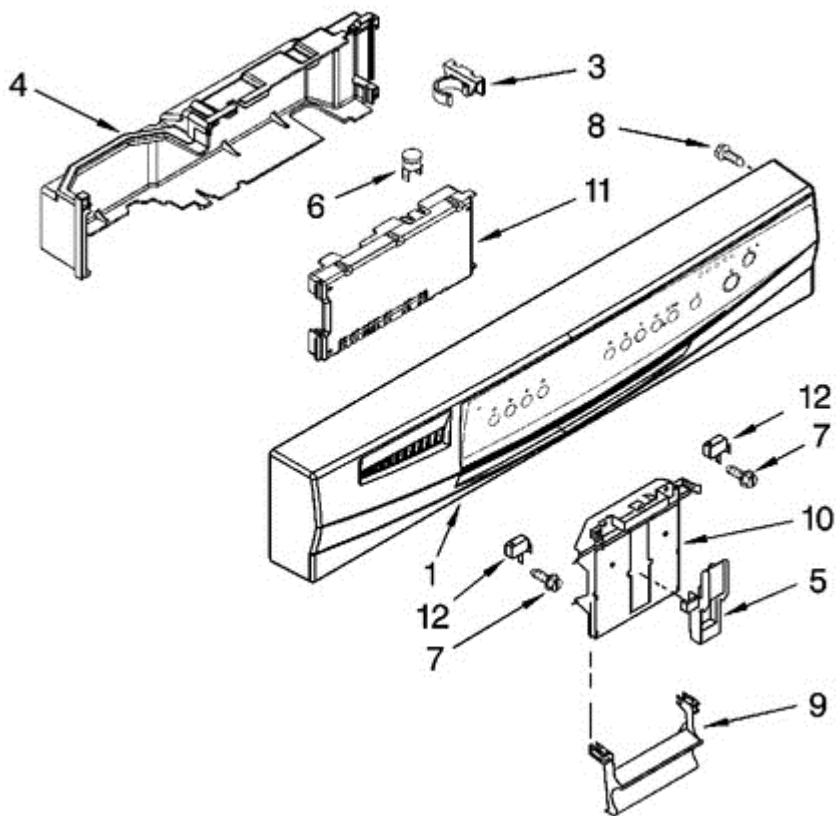




7DU1100XTSS0 DOOR AND PANEL

2	8534857	ARM, HINGE (RIGHT)
2	8534858	ARM, HINGE (LEFT)
3	8268983	STIFFENER, DOOR
4	8269845	PANEL FRONT (INCLUDES 7) (STAINLESS)
4	W10073210	PANEL FRONT (INCLUDES 7) (WHITE)
5	8573255	ACCESS PANEL BLACK
5	8573256	ACCESS PANEL (WHITE)
6	8268580	INSULATION, DOOR
7	8269016	CLIP, GROUND
8	8573286	TOE PANEL (INCLUDES 7) (BLACK)
8	8573287	TOE PANEL (INCLUDES 7) (WHITE)
9	8269740	CLIP, GROUNDING
10	302868	SCREW (BLACK)
10	3400836	SCREW (WHITE)
11	343641	SCREW
12	489470	SCREW

7DU1100XTSS0 CONTROL PANEL

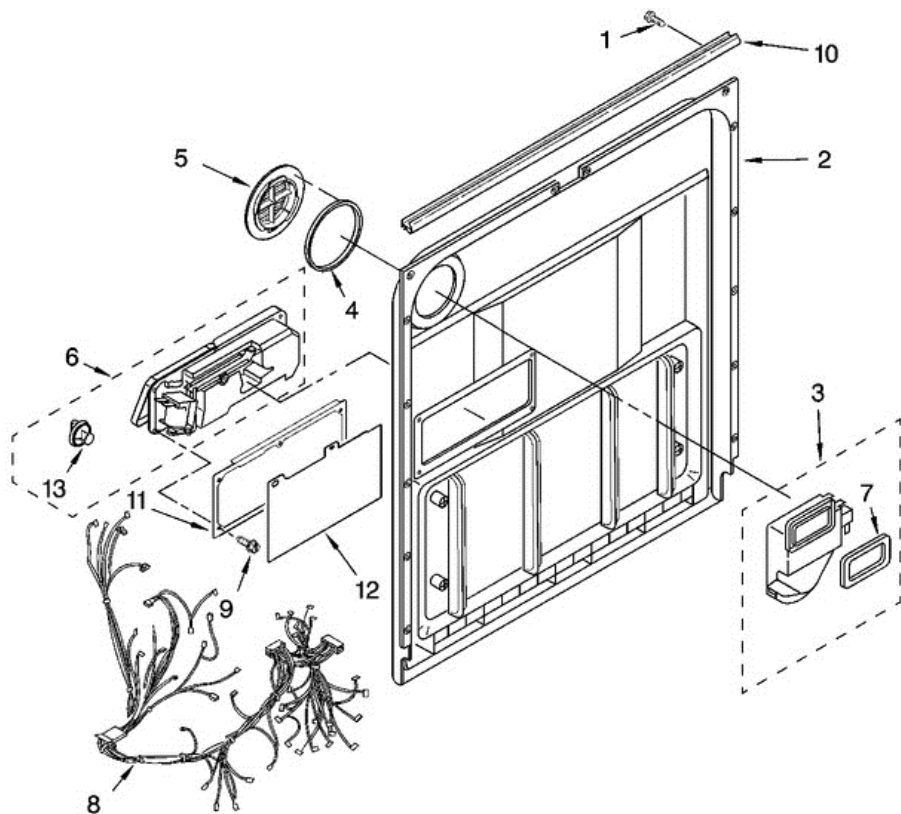




7DU1100XTSS0 CONTROL PANEL

1	W10102850	CONSOLE ASM. (INCL. OVERLAY & INSERT) (STAINLESS)
1	W10102851	CONSOLE ASM. (INCL. OVERLAY & INSERT) (WHITE)
3	8546546	CLIP, BI-METAL
4	W10056090	COVER CONTROL SHIELD ASSEMBLY
5	8524471	ACTUATOR, LATCH
6	661663	BI-METAL
7	3400412	SCREW
8	3369051	SCREW (6)
9	8534984	HANDLE, LATCH (BLACK)
9	8534985	HANDLE, LATCH (WHITE)
10	8524476	BOLT, LATCH
11	8575277	CONTROL, ELECTRONIC
12	8269209	SWITCH, DOOR

7DU1100XTSS0 DOOR AND LATCH

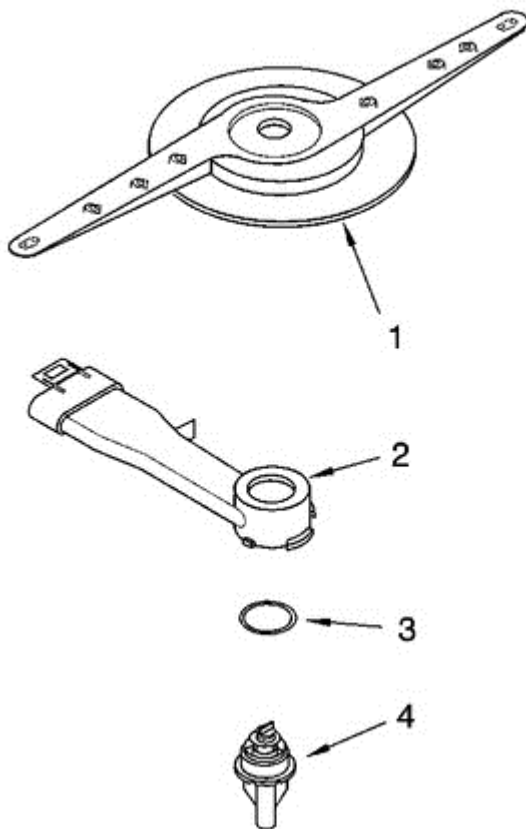




7DU1100XTSS0 DOOR AND LATCH

1	3369051	SCREW, DOOR
2	8269311	INNER DOOR (ALSO ORDER ITEM 4)
3	8542603	VENT ASSEMBLY (ALSO ORDER ITEM 4)
4	8269259	GASKET, VENT
5	8542566	DEFLECTOR, VENT (ALSO ORDER ITEM 4)
6	8565814	DISPENSER, ASSEMBLY
7	8269258	SEAL. FRONT
8	8573175	WIRING HARNESS MAIN
9	8281154	SCREW
10	8269296	SEAL, CONSOLE/DOOR
11	8535637	BRACKET DISPENSER
12	8531865	SHIELD, DISPENSER
13	8558307	CAP, RINSE AID

7DU1100XTSS0 LOWER WASHARM

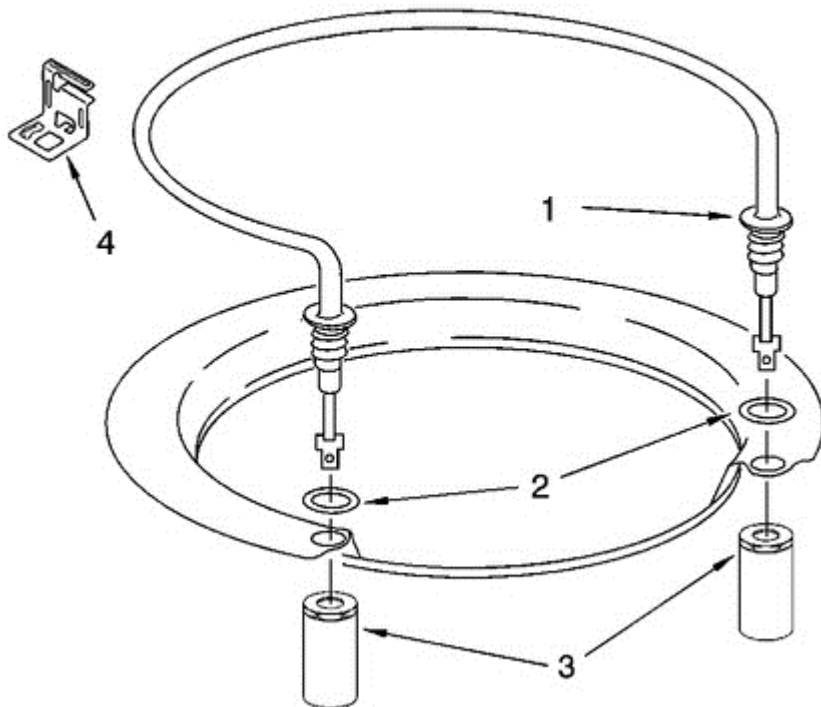




7DU1100XTSS0 LOWER WASHARM

1	8268333	WASH ARM ASSEMBLY
2	8268317	CAP, INTERNAL REAR FEED (ALSO ORDER ITEM 3)
3	8268340	SEAL, SPRAYARM
4	8268342	HUB, LOWER SPRAYARM (ALSO ORDER ITEM 3)

7DU1100XTSS0 HEATER

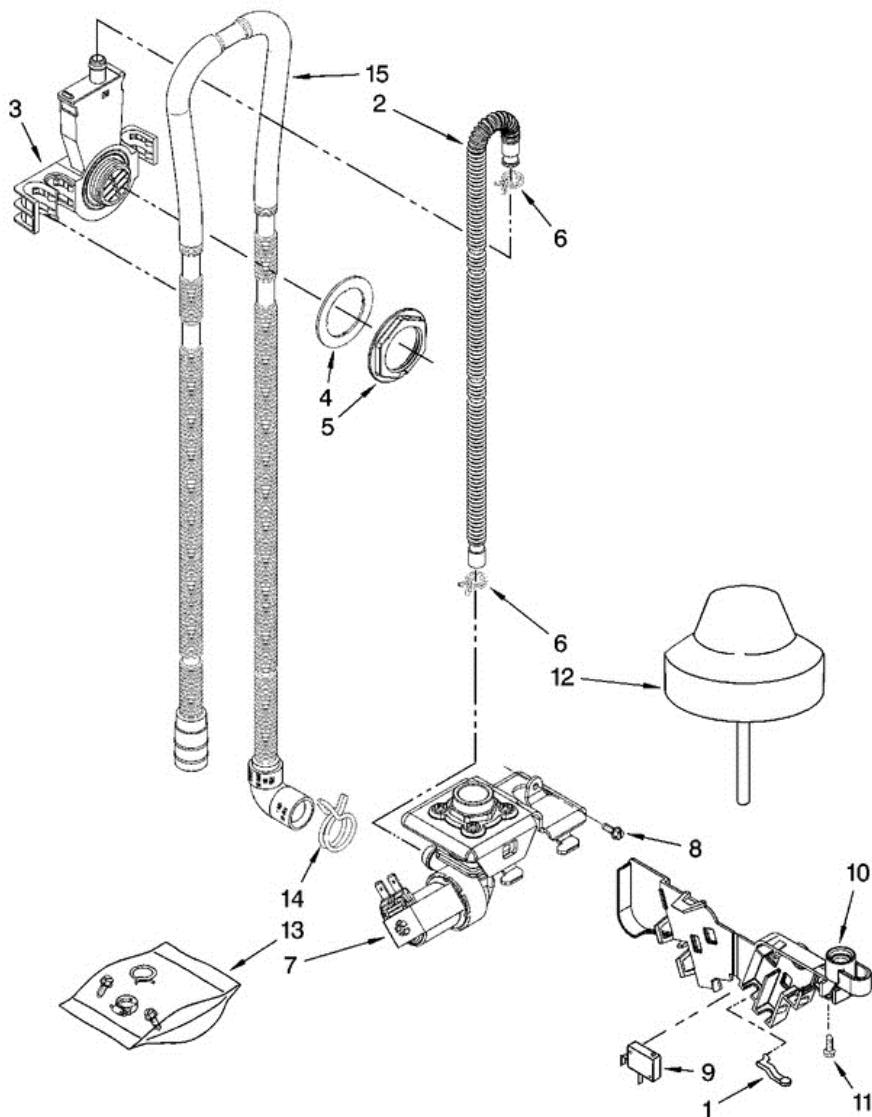




7DU1100XTSS0 HEATER

1	8563007	HEATER ELEMENT ASSEMBLY (ALSO INCL. ITEM 2)
2	717273	WASHER, HEATER ELEMENT
3	8268548	NUT, HEATER ELEMENT
4	8269262	BRACKET, HEATER SUPPORT

**7DU1100XTSS0 FILL, DRAIN AND
 OVERFILL**

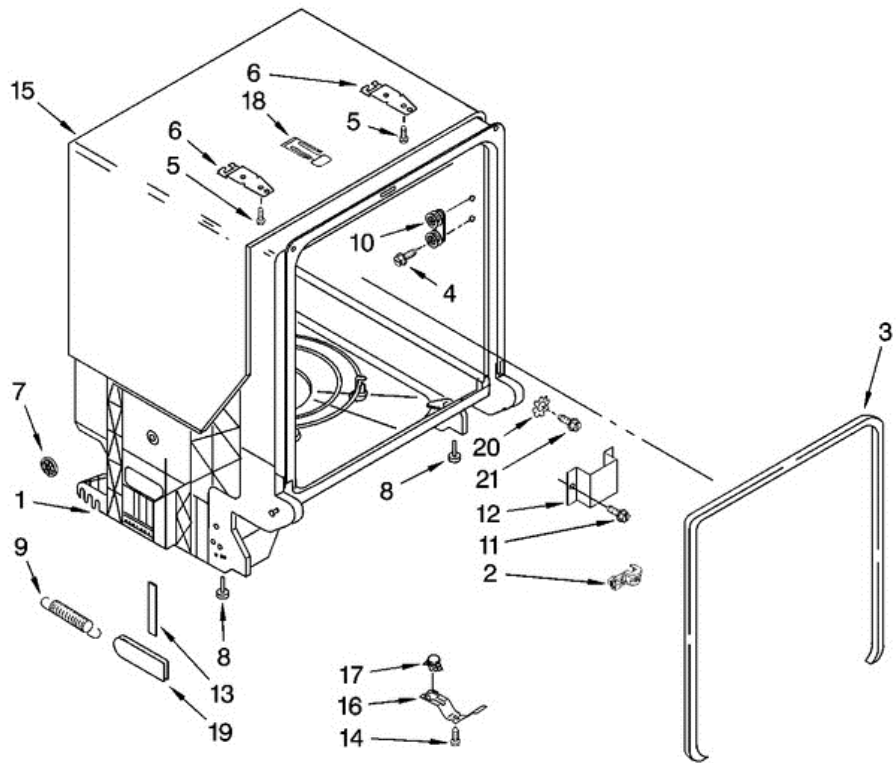




7DU1100XTSS0 FILL, DRAIN AND OVERFILL

1	8268892	LEVER, OVERFILL SWITCH
2	8531412	HOSE, INLET
3	8531325	WATER INLET (ALSO ORDER ITEM 4)
4	8531323	GASKET
5	8531326	NUT, INLET (ALSO ORDER ITEM 4)
6	371505	CLAMP, HOSE
7	8563405	FILL VALVE ASSEMBLY
8	304392	SCREW
9	8268909	SWITCH, OVERFILL CONTROL
10	8545881	STANDPIPE, OVERFILL
11	304231	SCREW
12	8268913	FLOAT & RETAINER ASSEMBLY
13	8269296	MISCELLANEOUS (INCL. 2 SCREW, 2 HOSE CLAMPS)
14	356138	CLAMP, HOSE
15	8531022	DRAIN LOOP WITH CHECK VALVE

7DU1100XTSS0 TUB AND FRAME





7DU1100XTSS0 TUB AND FRAME

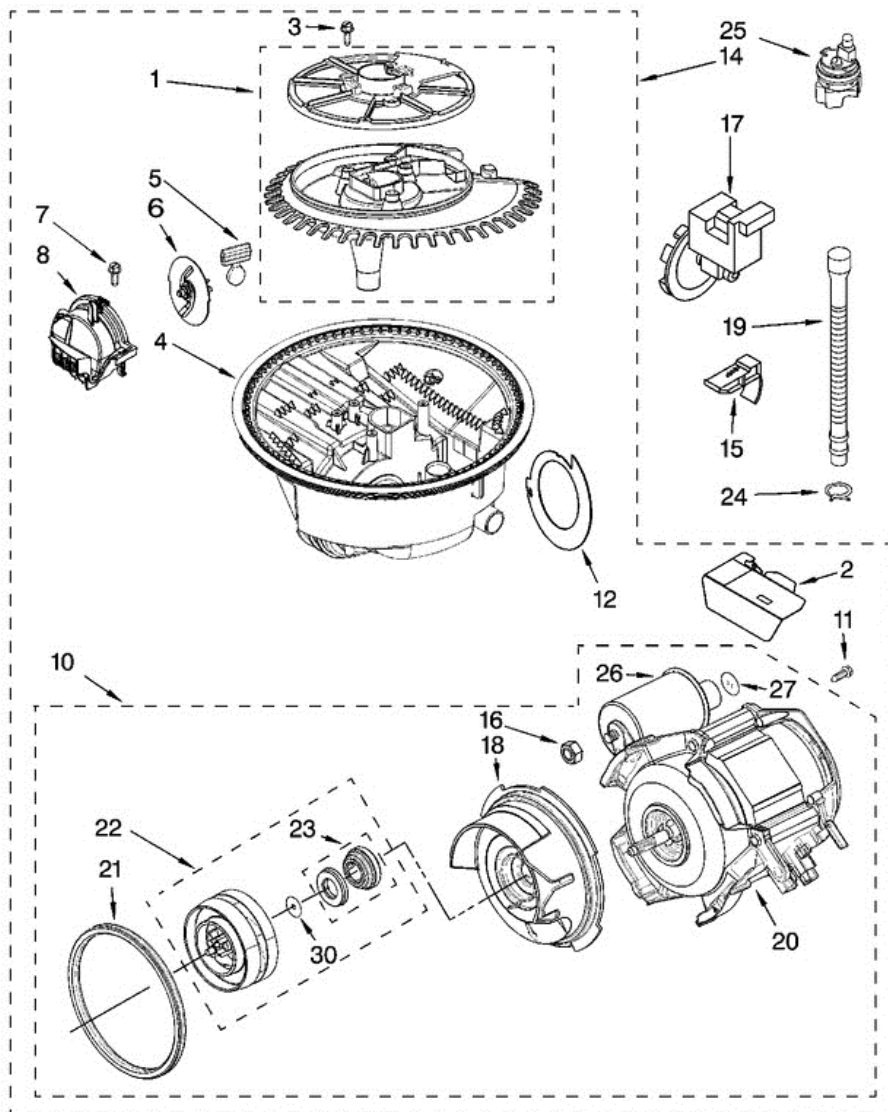
1	W10008370	TUB ASSEMBLY
2	8573061	STRAIN RELIEF
3	8268888	DOOR SEAL
4	8533836	SCREW (8)
5	3367670	SCREW
6	8269145	BRACKET, UNDERCOUNTER
7	8269831	WHEEL, LEG
8	8524584	LEVELER, LEG
9	8524473	SPRING, DOOR BALANCE
10	8270016	WHEEL & MOUNT ASSEMBLY
11	3400892	SCREW
12	8268991	COVER, TERMINAL BOX
13	8268961	PAD, FRICTION
14	304231	SCREW
15	8573240	SHIELD, SOUND TUB
16	3378595	BRACKET, THERMOSTAT
17	661566	THERMOSTAT
18	8580309	STRIKE, PLATE
19	8268990	BUSHING, DOOR SPRING
20	3378128	WASHER
21	3400014	SCREW

Distribuidor Autorizado

SurteRápido.com

Venta de Refacciones
Electrodomesticas

7DU1100XTSS0 PUMP AND MOTOR



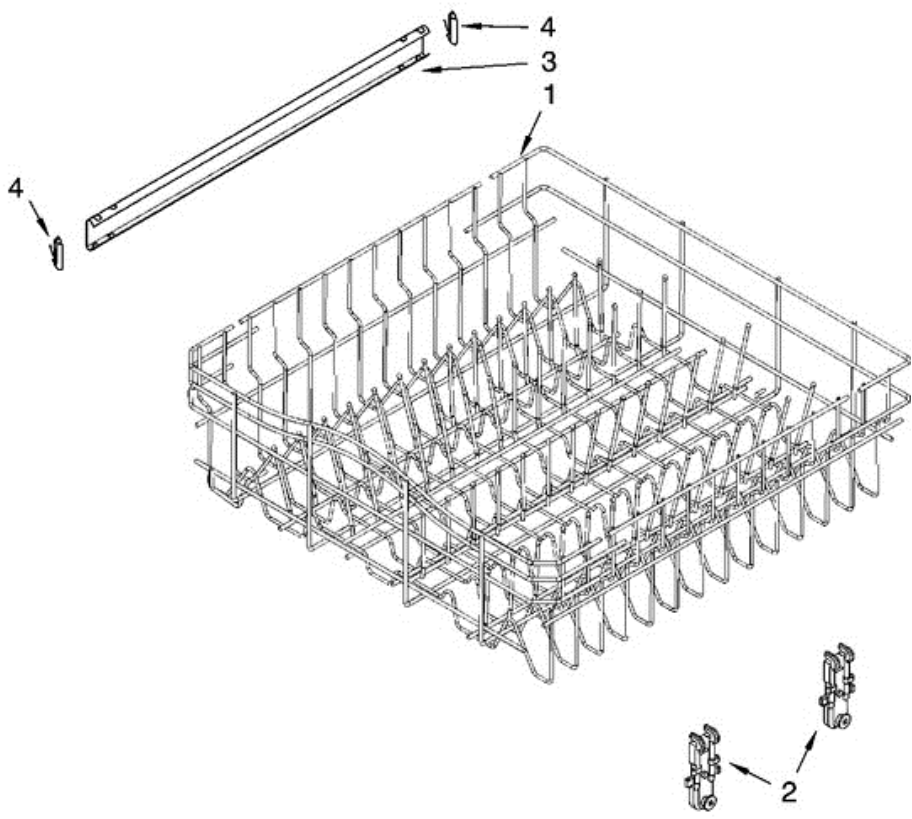


7DU1100XTSS0 PUMP AND MOTOR

1	8534952	ACCUMULATOR ASSY
2	8283527	SHIELD, MOTOR
3	3400069	SCREW
4	8572618	SUMP WITH SEAL
5	8268375	CHECK VALVE, SUMP
6	8268383	CHOPPER ASSEMBLY
7	9741232	SCREW
8	8531857	PROTECTOR, INLET
10	8534942	MOTOR ASSEMBLY
11	3400217	SCREW
12	8268391	SCREEN, SEPARATION
14	8572615	SUMP & MOTOR ASSEMBLY
15	8269524	TAB, SUMP
16	8533949	NUT
17	661662	PUMP, DRAIN
18	8531019	VOLUTE, BACK (ALSO ORDER ITEMS 23 & 30)
19	8269144	HOSE, DRAIN
20	8534941	MOTOR
21	8268397	SEAL, VOLUTE
22	8531017	IMPELLER KIT (ALSO ORDER ITEM 30)
23	8268403	FACE SEAL ASSEMBLY (ALSO ORDER ITEM 30)
24	356138	CLAMP, HOSE
25	W10082647	OPTICAL WATER INDICATOR
26	8269507	CAPACITOR
27	8534946	SHIELD, CAPACITOR
30	8531018	WASHER



7DU1100XTSS0 UPPER RACK AND TRACK

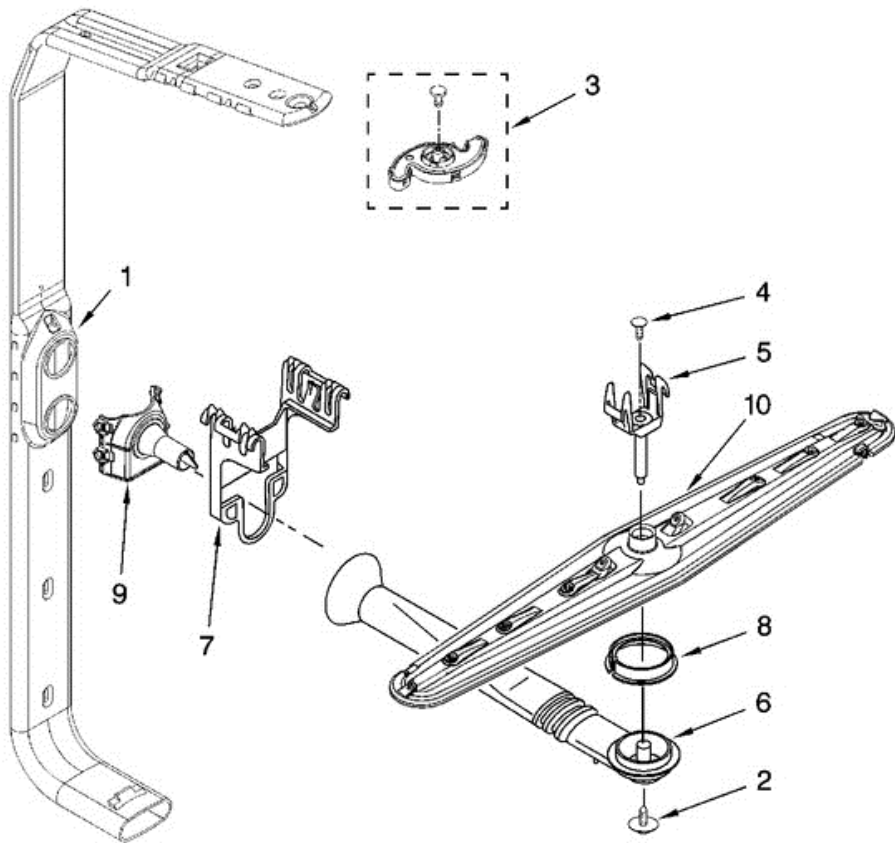




7DU1100XTSS0 UPPER RACK AND TRACK

1	8539214	DISHRACK, UPPER
2	8268655	MOUNT, WHEEL
3	3385089	TRACK, RACK
4	8565920	STOP TRACK

**7DU1100XTSS0 UPPER WASH AND
RINSE**

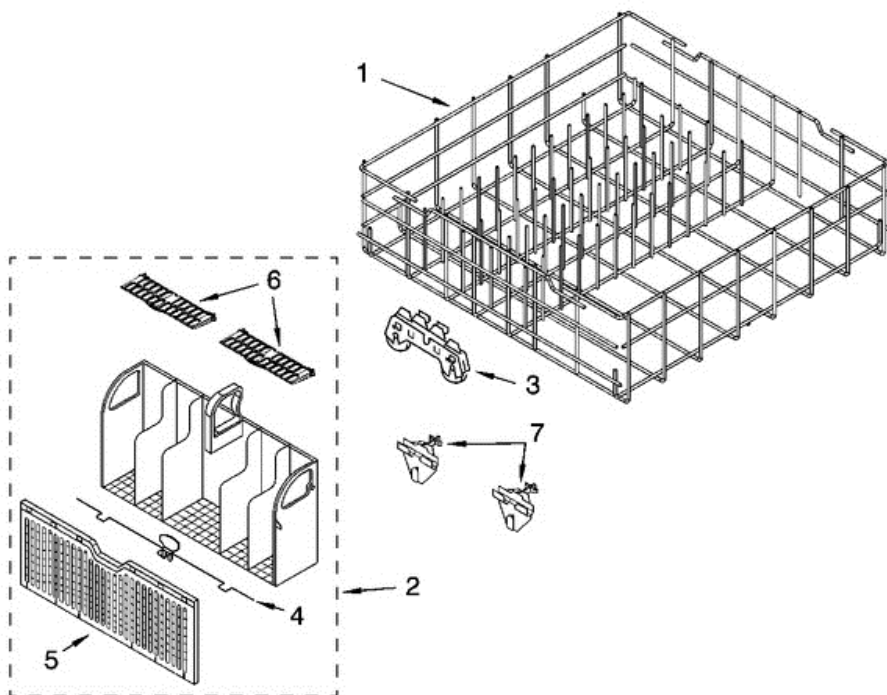




7DU1100XTSS0 UPPER WASH AND RINSE

1	8558968	FEED TUBE ASSEMBLY (ALSO INCLUDES ITEMS 3 & 9)
2	8533889	SCREW
3	8557720	SPINNER, 3RD LEVEL WASH
4	3400919	COVER, SCREW
5	8268321	MOUNT
6	8268326	MANIFOLD
7	8268325	HOLDER, FEED TUBE
8	8268433	SEAL, SPRAYARM
9	8268293	NOZZLE
10	8269024	SPRAYARM

7DU1100XTSS0 LOWER RACK





7DU1100XTSS0 LOWER RACK

1	8539259	LOWER RACK ASSEMBLY (INCLUDES ITEM 3)
2	8535075	SILVERWARE BASKET
3	8268645	WHEEL & TRANSPORT ASSEMBLY
4	8539118	LATCH ASSEMBLY
5	8535077	DOOR, SILVERWARE BASKET
6	8535078	LID, SILVERWARE BASKET
7	8269308	CLIP, SILVERWARE BASKET