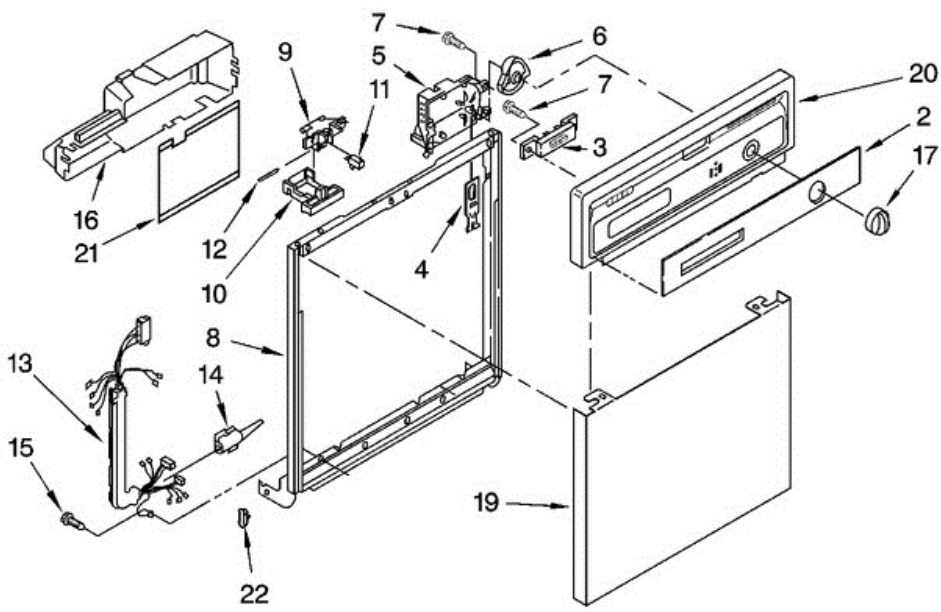


7DU850SWSQ0 FRAME AND CONSOLE PARTS

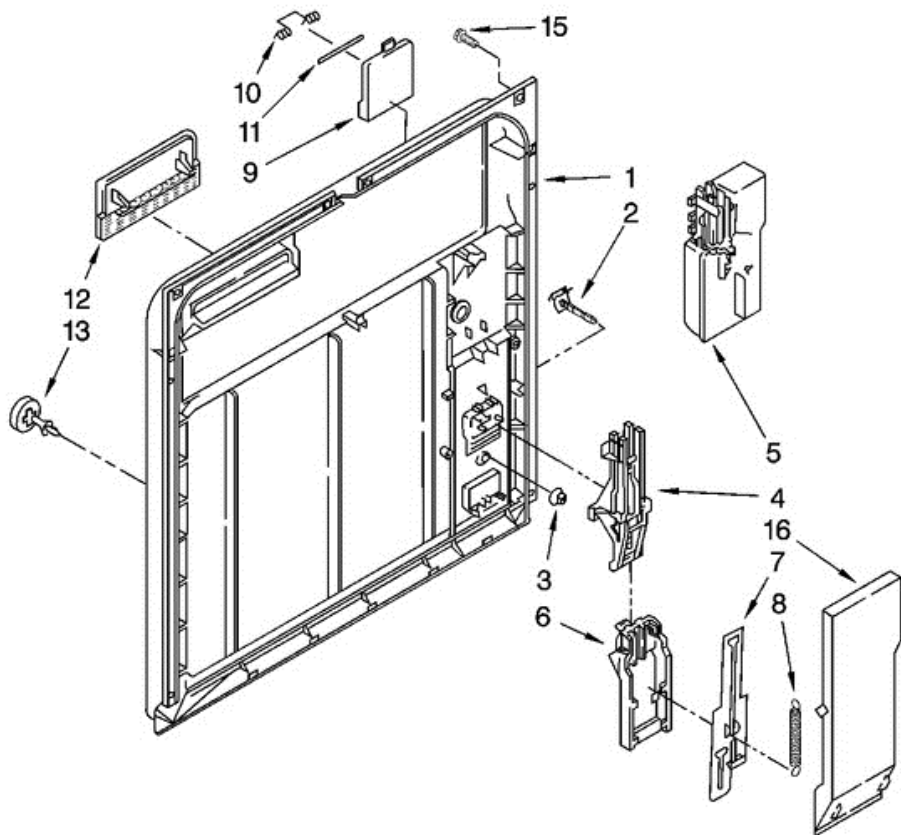




7DU850SWSQ0 FRAME AND CONSOLE PARTS

1	W10102746	GUIDE, USE & CARE
2	W10039610	INSERT, CONSOLE (WHITE)
3	8269366	SWITCH, 5 BUTTON
4	3369529	FOLLOWER, CAM
5	W10039480	TIMER
6	8271510	CAM
7	304231	SCREW, 8-18 X 1/2 (5)
8	9743028	DOOR FRAME (BLACK)
9	3380854	BOLT, LATCH
10	3372231	LEVER, LATCH WHITE
11	3369325	SWITCH, (2)
12	3368955	PIN, SWITCH (2)
13	8573183	HARNESS AND PROTECTOR
14	3376405	ELBOW, HARNESS
15	3400892	SCREW
16	8269526	COVER, CONTROL
17	8275309	KNOB, TIMER (WHITE)
19	3379376	PANEL FRONT (WHITE)
20	W10072700	CONSOLE (INCLUDES ITEM 2) (WHITE)
21	3379671	SHIELD, CONTROL COVER
22	3373234	BEARING SPRING (2)

7DU850SWSQ0 INNER DOOR

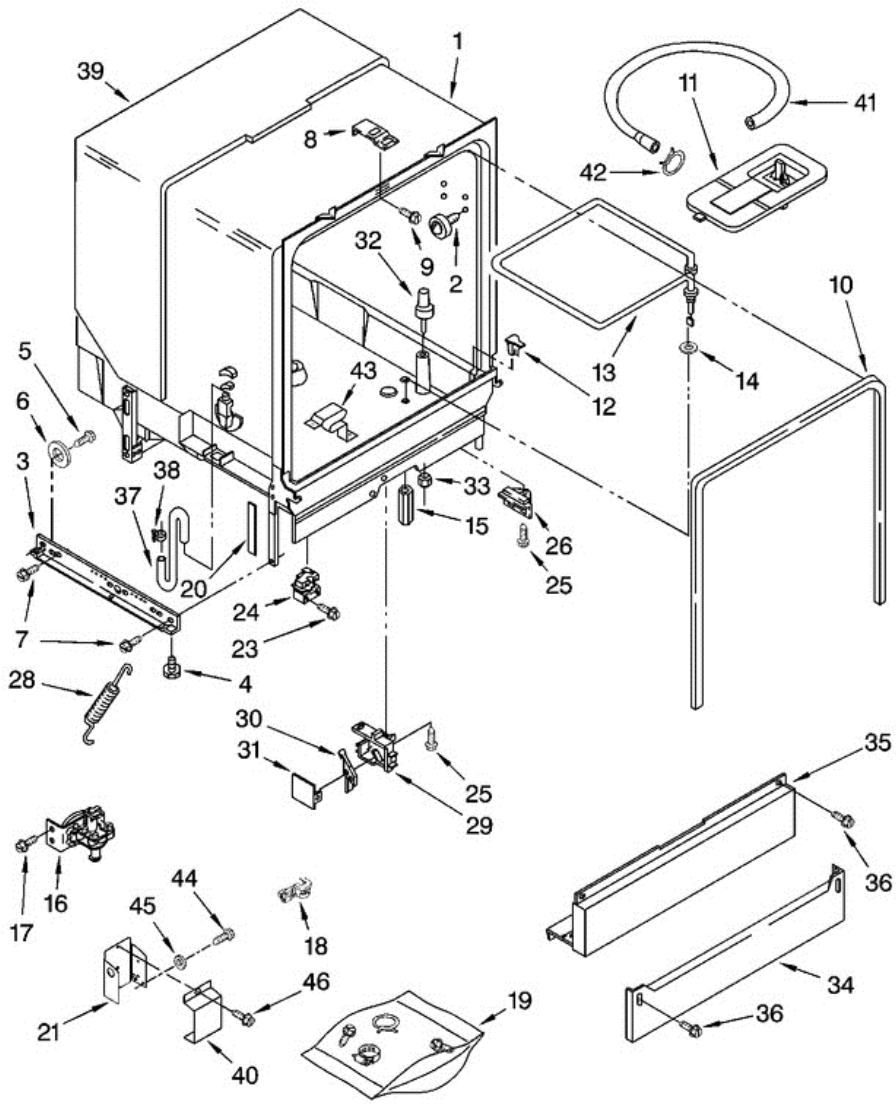




7DU850SWSQ0 INNER DOOR

1	8528310	INNER DOOR (INCLUDES ITEMS 2 & 3)
2	3376066	LATCH, DETERGENT DISPENSER (INCLUDES ITEM 3)
3	3369061	SNAP, DETERGENT DISPENSER (INCLUDES ITEM 2)
4	8519606	ACTUATOR ASSEMBLY
5	8052027	WET AGENT, DISPENSER
6	3369000	DRAW BAR, (UPPER DISPENSER)
7	8066017	DRAW BAR (LOWER DISPENSER)
8	3368999	SPRING (DRAW BAR)
9	3378138	LID ASSEMBLY
10	8066018	SPRING, LID
11	3372028	PIN (LID HINGE)
12	3371710	SCREEN, VENT
13	3378134	CAP, WET AGENT
15	3400815	SCREW (8)
16	3371569	COVER, DRIP

7DU850SWSQ0 TUB



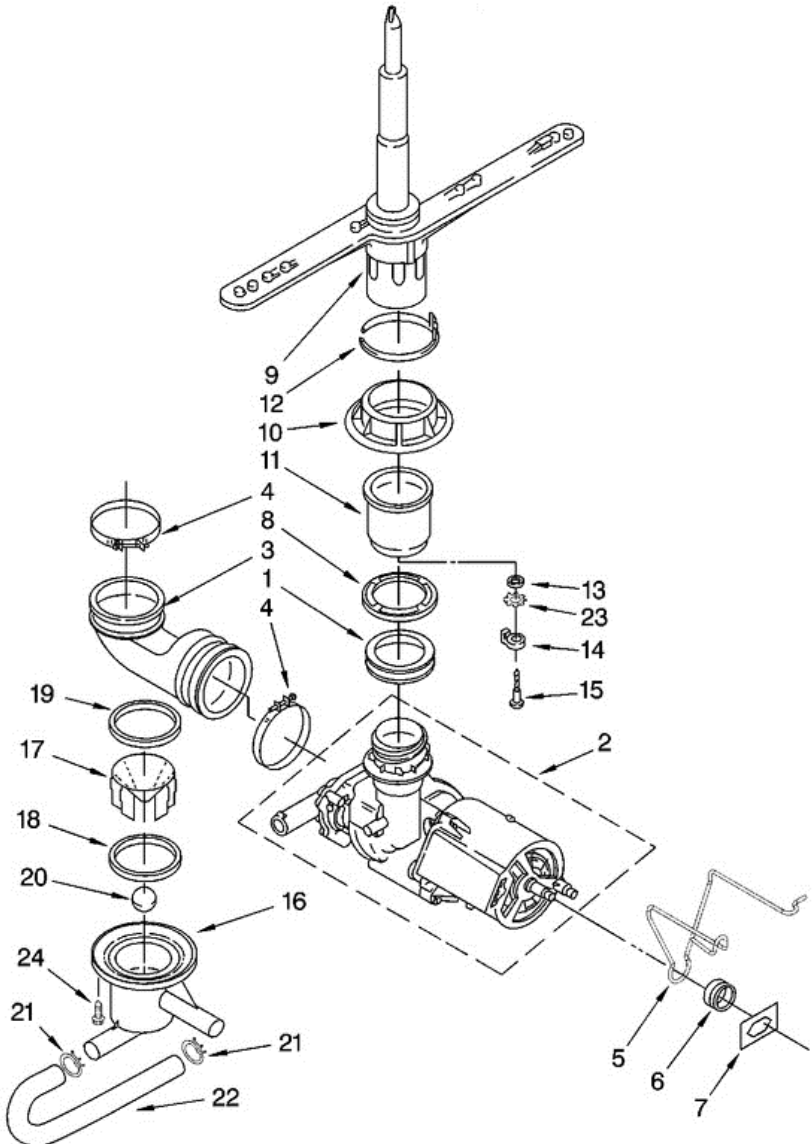


7DU850SWSQ0 TUB

1	W10082657	TUB AND SUPPORT ASSEMBLY
2	8528831	TUB, WHEEL ASSEMBLY (8)
3	3368933	RUNNER (2)
4	3374849	LEVELER (2)
5	3370389	SCREW, SHOULDER (2)
6	302819	WHEEL (2)
7	343641	SCREW, 10-16 X 1/2 (4)
8	3378149	PLATE, LATCH
9	3374720	SCREW
10	3376927	GASKET
11	3369322	GRATE
12	8528862	DEFLECTOR (2)
13	8519827	HEATER
14	717273	WASHER, RUBBER (2)
15	8268548	NUT (2) (HEATER TERMINAL)
16	8283345	WATER VALVE
17	304392	SCREW 8-18 X 1/2
18	8573061	STRAIN RELIEF
19	3369816	MISCELLANEOUS PARTS BAG
20	8052018	PAD, FRICTION
21	8573951	TERMINAL BOX
23	3370225	SCREW
24	3369063	RELAY
25	304231	SCREW
26	3368928	FUSE, THERMAL
28	3379383	SPRING, DOOR (2)
29	8318218	HOUSING, FLOAT SWITCH
30	3369067	SWITCH, FLOAT
31	8318219	COVER, SWITCH HOUSING
32	8519552	FLOAT
33	717488	NUT
34	9742861	PANEL, TOE (WHITE)
35	3379388	PANEL, ACCESS (WHITE)

36	302868	SCREW, 8-18 X 1/2 (4)
37	3369414	HOSE, INLET
38	301958	CLAMP
39	8573243	SOUND SHIELD
40	300068	COVER ASSEMBLY TERMINAL BOX
41	3374077	DRAIN HOSE
42	356138	CLAMP, HOSE
43	3379740	SUPPORT, HEATER (3)
44	3400014	SCREW
45	3378128	WASHER
46	3369138	SCREW, 8-18

7DU850SWSQ0 PUMP AND SPRAY

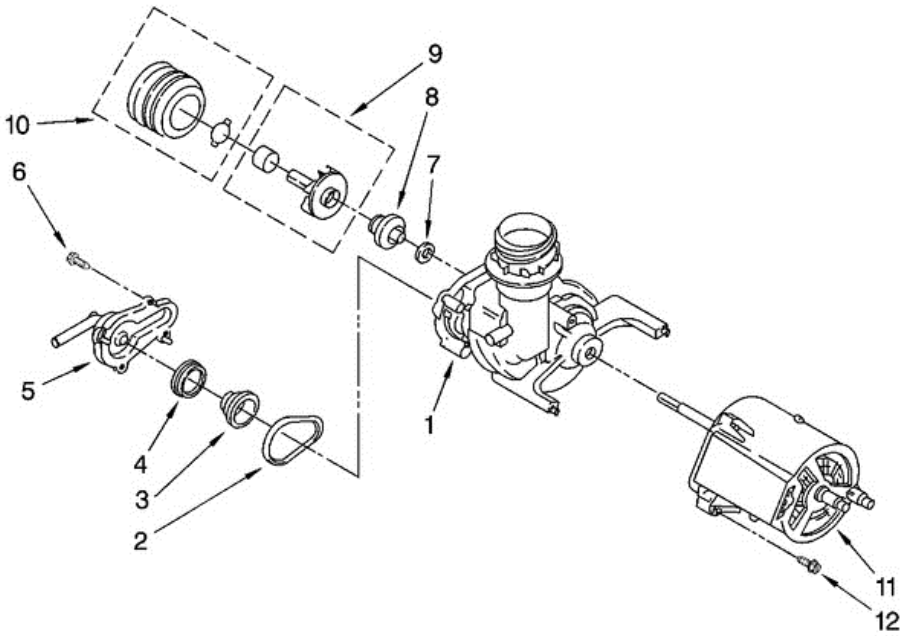




7DU850SWSQ0 PUMP AND SPRAY

1	3369037	GROMMET, PUMP SEAL
2	3369015	PUMP & MOTOR ASSEMBLY
3	3369035	HOSE, PUMP INLET
4	3400959	CLAMP (2)
5	W10113908	SUPPORT, MOTOR
6	8535657	GROMMET, MOTOR SUPPORT
7	3370856	PUSH-NUT, MOTOR SUPPORT
8	3369038	WASHER, GROMMET
9	8268870	SPRAY ARM, ASSEMBLY LOWER
10	8268883	NUT, PUMP OUTLET
11	3371745	SUPPORT & BEARING ASSEMBLY
12	3369045	SEAL, SPLIT RING
13	3369044	WASHER
14	3371746	BEARING
15	3371744	SHOULDER SCREW
16	8520839	COLLECTOR ASSEMBLY W/CHECK VALVE
17	8520841	FUNNEL
18	8520843	SEAL
19	3369177	SEAL
20	3369178	BALL, CHECK-VALVE
21	371499	CLAMP, HOSE
22	8520842	HOSE, COLLECTOR
23	3371634	WASHER, CURVED
24	8534039	SCREW 10-16, HI-LO (4)

7DU850SWSQ0 PUMP AND MOTOR

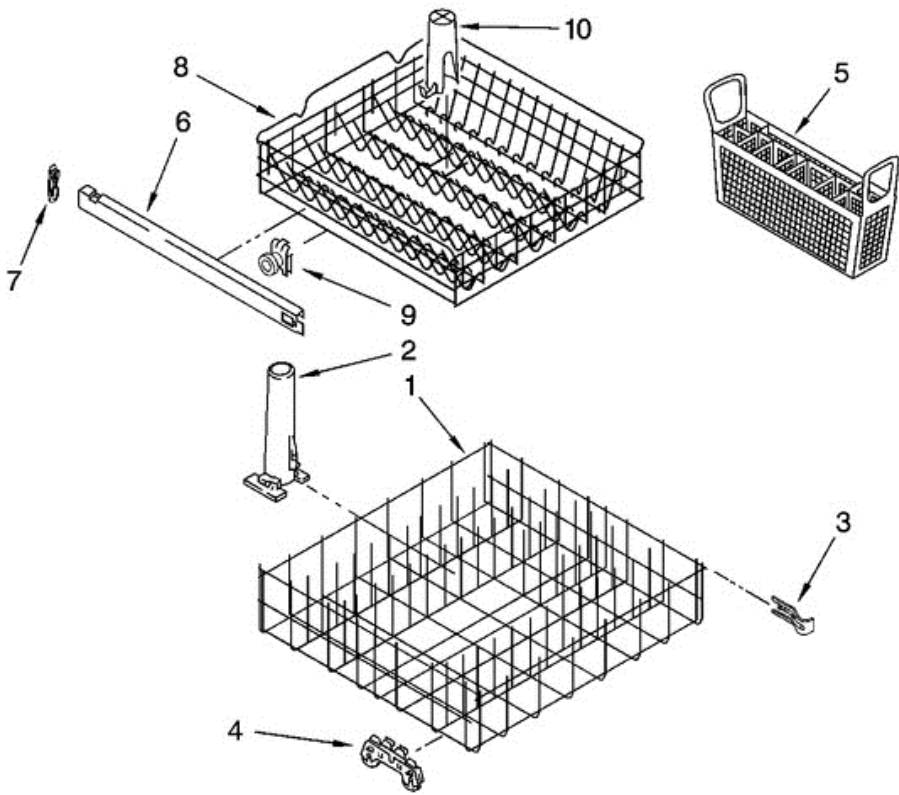




7DU850SWSQ0 PUMP AND MOTOR

1	3369011	HOUSING ASSEMBLY
2	3369031	SEAL, DRAIN COVER
3	8563504	DIAPHRAGM
4	3369029	RING, DIAPHRAGM
5	3369030	COVER, DRAIN VALVE
6	3368921	SCREW (4)
7	3369020	SEAL SEAT
8	3385557	SEAL HEAD
9	3369013	IMPELLER & BEARING ASSEMBLY
10	3369012	DISK & MOUNT ASSEMBLY
11	8283457	MOTOR
12	3368922	SCREW (3)

7DU850SWSQ0 DISHRACK





7DU850SWSQ0 DISHRACK

1	8539225	DISHRACK, LOWER
2	8268825	TOWER, PROTECTOR
3	3385142	BUMPER, DISHRACK (2)
4	8268645	WHEEL & TRANSPORT ASSEMBLY (4)
5	8268866	BASKET, SILVERWARE
6	3385089	TRACK, DISHRACK (2)
7	8565920	STOP, TRACK (4)
8	8539222	DISHRACK, UPPER
9	8268852	WHEEL & AXLE ASSEMBLY (4)
10	8519550	DIFFUSER, WATER