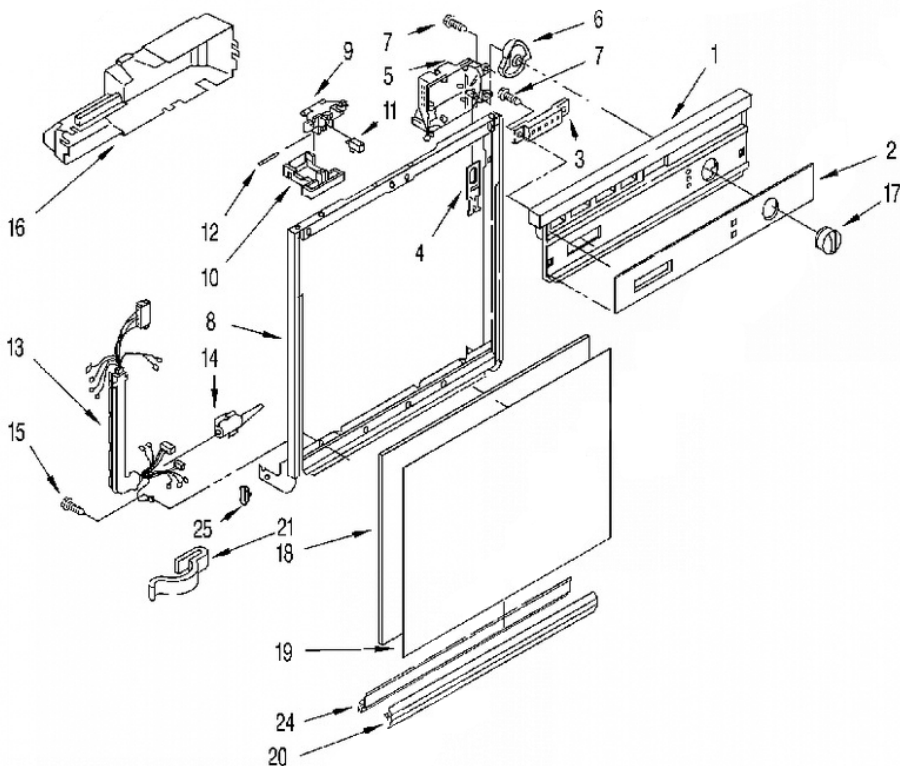


Distribuidor Autorizado

SurteRápido.com

Venta de Refacciones  
Electrodomesticas

## 7DU900PCDQ0 TABLERO

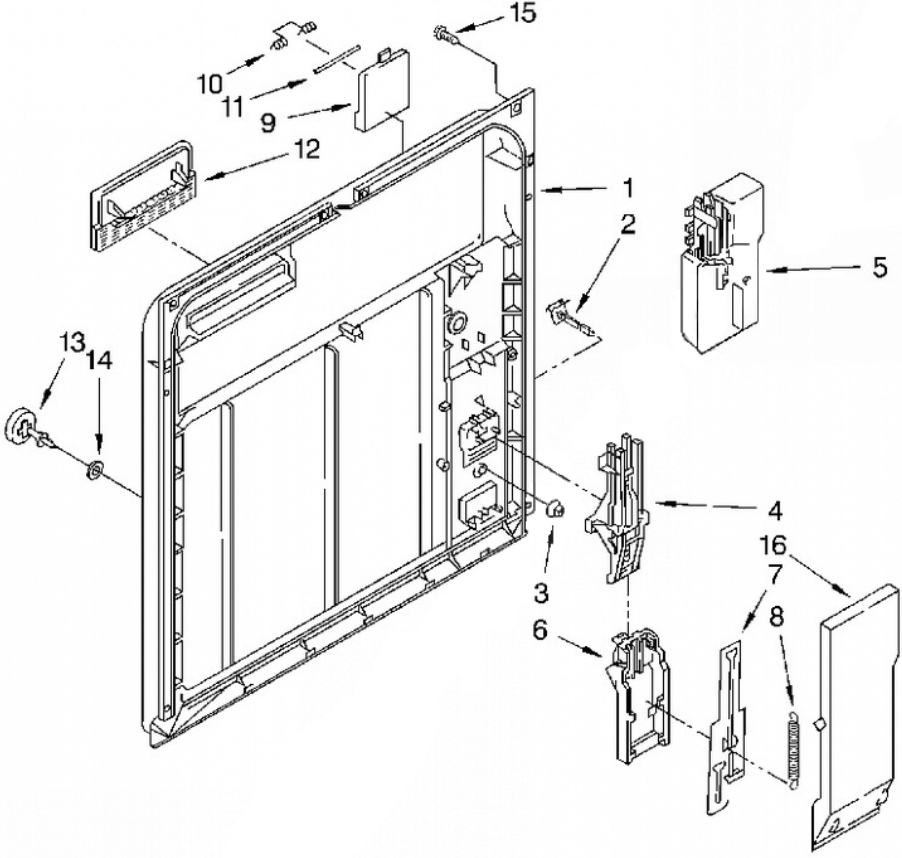




**7DU900PCDQ0 TABLERO**

1	3375273	CONSOLE (BLACK) (S/P)
1	3375274	CONSOLE (WHITE) <b>DESCONTINUADO</b>
2	3376025	INSERT, CONSOLE (WHITE) <b>DESCONTINUADO</b>
2	3376024	INSERT, CONSOLE (BLACK)
3	3376027	SWITCH (BLACK) <b>DESCONTINUADO</b>
3	3376027	SWITCH (WHITE) <b>DESCONTINUADO</b>
4	3369529	FOLLOWER, CAM (S/P)
5	3373626	TIMER (S/P)
6	3378124	CAM (S/P)
7	304231	SCREW, (S/P)
8	3374712	DOOR FRAME (INCLUDES ITEM 24) (WHITE) (S/P)
8	3374711	DOOR FRAME (INCLUDES ITEM 24) (BLACK) (S/P)
9	3380854	BOLT, LATCH (S/P)
10	3372232	LEVER, LATCH (WHITE) <b>DESCONTINUADO</b>
10	3369457	LEVER, LATCH (BLACK) (S/P)
11	4318273	SWITCH, (2) (S/P)
12	3368955	PIN, SWITCH (2) (S/P)
13	3378948	HARNESS AND PROTECTOR (S/P)
14	3376405	ELBOW, HARNESS (S/P)
15	3400803	SCREW (S/P)
16	3373367	COVER TIMER (WHITE MODEL) (S/P)
16	3375473	COVER TIMER (BLACK MODEL) <b>DESCONTINUADO</b>
17	3375349	KNOB, TIMER (WHITE) (S/P)
17	3375348	KNOB, TIMER (BLACK) (S/P)
18	3368979	SPACER, CORRUGATED (S/P)
19	3369516	PANEL, FRONT ((ALMOND/BLACK) (S/P)
19	3369769	PANEL, FRONT ((BLACK/WHITE) (S/P)
20	3374011	RETAINER, PANEL (WHITE) (S/P)
20	3374010	RETAINER, PANEL (BLACK) (S/P)
21	98997	CLIP, HARNESS (S/P)
24	3374716	CHANNEL, RETAINER (S/P)
25	3373234	BEARING, SPRING (2) (S/P)

**7DU900PCDQ0 PUERTA**





## 7DU900PCDQ0 PUERTA

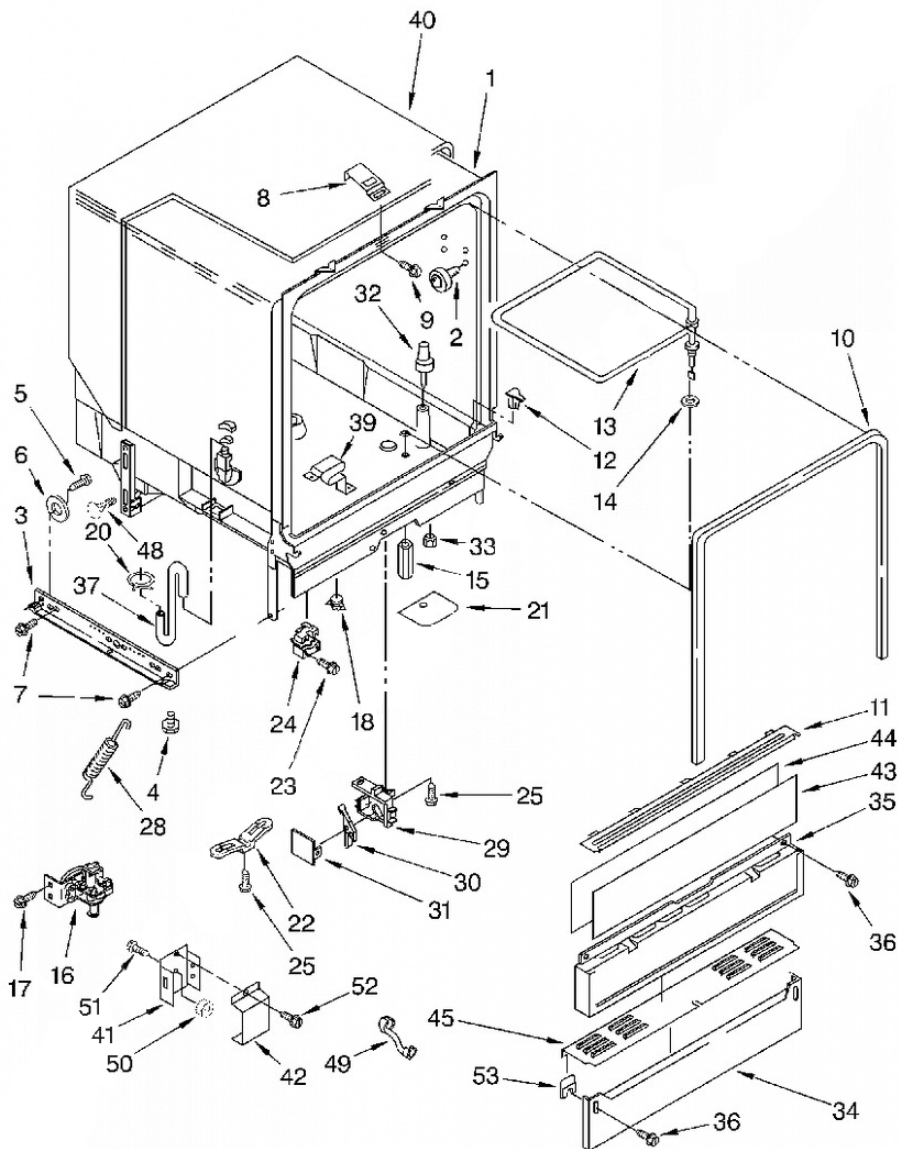
1	8051463	INNER DOOR (ALSO ORDER) (S/P)
1	676413	LATCH DOOR KIT (S/P)
2	676413	LATCH, DETERGENT DISPENSER (S/P)
3	676413	SNAP, DETERGENT DISPENSER (S/P)
4	8193646	ACTUATOR ASSEMBLY (S/P)
5	8052027	WET AGENT, DISPENSER (S/P)
6	3369000	DRAW BAR, (UPPER DISPENSER) (S/P)
7	8193646	DRAW BAR (LOWER DISPENSER) (S/P)
8	3368999	SPRING (DRAW BAR) (S/P)
9	3378138	LID ASSEMBLY (S/P)
10	300106	SPRING, LID (S/P)
11	3372028	PIN (LID HINGE) (ALSO ORDER ITEM NO.10) (S/P)
12	3371710	SCREEN, VENT (S/P)
13	3378134	WET-AGENT CAP ASSEMBLY (S/P)
14	3378134	SEAL (WET-CAP) (S/P)
15	3369051	SCREW (S/P)
16	3371569	COVER, DRIP (S/P)

Distribuidor Autorizado

SurteRápido.com

Venta de Refacciones  
Electrodomesticas

## 7DU900PCDQ0 GABINETE



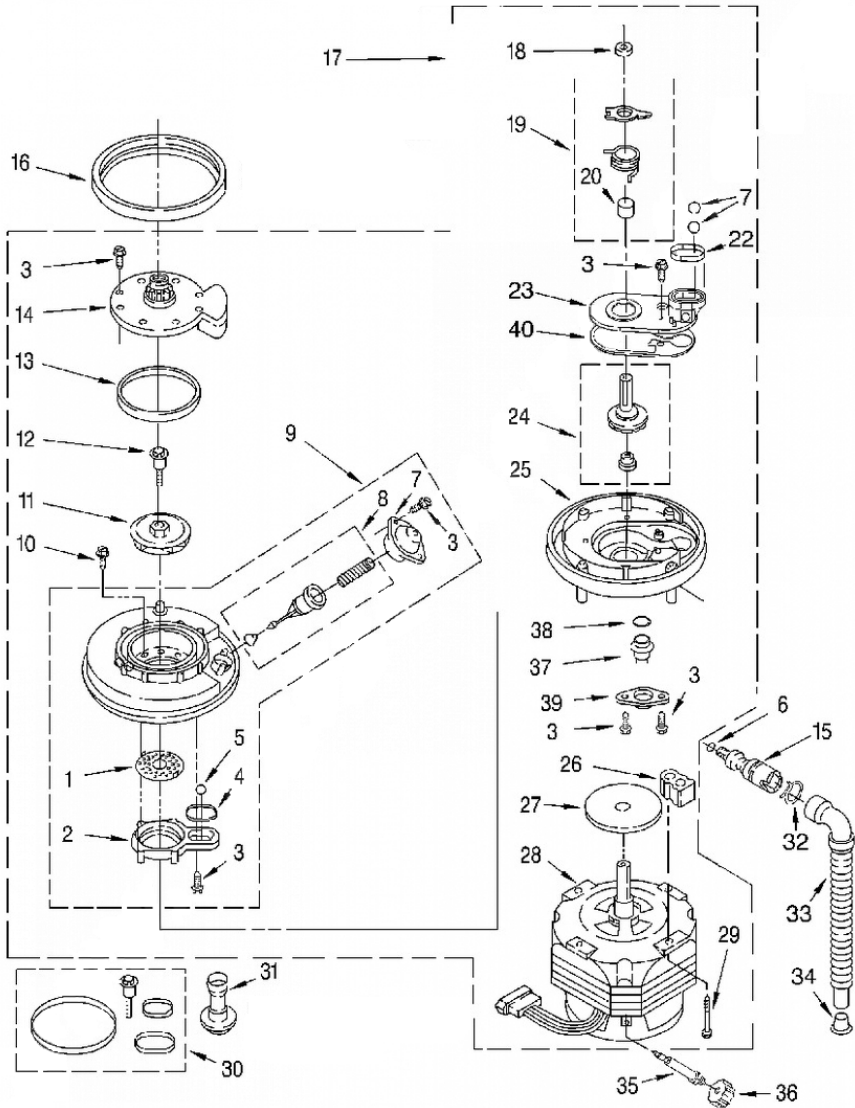


## 7DU900PCDQ0 GABINETE

1	3378156	TUB ASSEMBLY (S/P)
2	3369078	TUB, WHEEL ASSEMBLY (8) (S/P)
3	3368933	RUNNER (2) (S/P)
4	8193716	LEVELER (2) (S/P)
5	3370389	SCREW, SHOULDER (S/P)
6	302819	WHEEL (2) (S/P)
7	343641	SCREW, (S/P)
8	3378149	PLATE, LATCH (S/P)
9	3374720	SCREW (S/P)
10	W10082795	GASKET (S/P)
11	3372413	RETAINER, ACCESS PANEL (S/P)
12	3369052	DEFLECTOR (2) (S/P)
13	3379738	HEATER (S/P)
14	717273	WASHER, RUBBER (2) (S/P)
15	3369073	NUT (2) (HEATER TERMINAL) (S/P)
16	8283346	WATER VALVE (S/P)
17	304392	SCREW (S/P)
18	661566	THERMOSTAT, HI-LIMIT (S/P)
20	596669	CLAMP (S/P)
21	3376149	SHIELD, THERMOSTAT (S/P)
22	3378595	BRACKET, THERMOSTAT (S/P)
23	3370225	SCREW (S/P)
24	3369447	RELAY (S/P)
25	304231	SCREW (S/P)
28	3374343	SPRING, DOOR (2) (S/P)
29	3369048	HOUSING, FLOAT SWITCH (S/P)
30	3369067	SWITCH, FLOAT (S/P)
31	3369049	COVER, SWITCH HOUSING (S/P)
32	3376397	FLOAT & WASHER ASSEMBLY (S/P)
33	717488	NUT (S/P)
34	3379921	TOE PANEL (S/P)
35	3369614	PANEL, ACCESS (S/P)
36	302868	SCREW (S/P)

37	304669	HOSE, INLET
39	3368987	SUPPORT, HEATER (3) <b>(S/P)</b>
40	8573242	SOUND SHIELD <b>(S/P)</b>
41	8529303	BOX, TERMINAL <b>(S/P)</b>
42	300068	COVER ASSEMBLY, TERMINAL BOX <b>(S/P)</b>
43	3370868	ACCESS PANEL ((WHITE/BLACK)) <b>(S/P)</b>
44	3369526	SPACER, CORRUGATED <b>(S/P)</b>
45	3374728	EXTENSION & CLIP ASSEMBLY <b>(S/P)</b>
48	304666	RETAINER, PUSH (2) <b>(S/P)</b>
49	3370307	RELIEF, STRAIN <b>(S/P)</b>
50	488130	NUT <b>(S/P)</b>
51	3371578	SCREW <b>(S/P)</b>
52	3369138	SCREW <b>(S/P)</b>
53	3378123	CLIP, GROUNDING <b>(S/P)</b>

**7DU900PCDQ0 MOTOR, BOMBA**





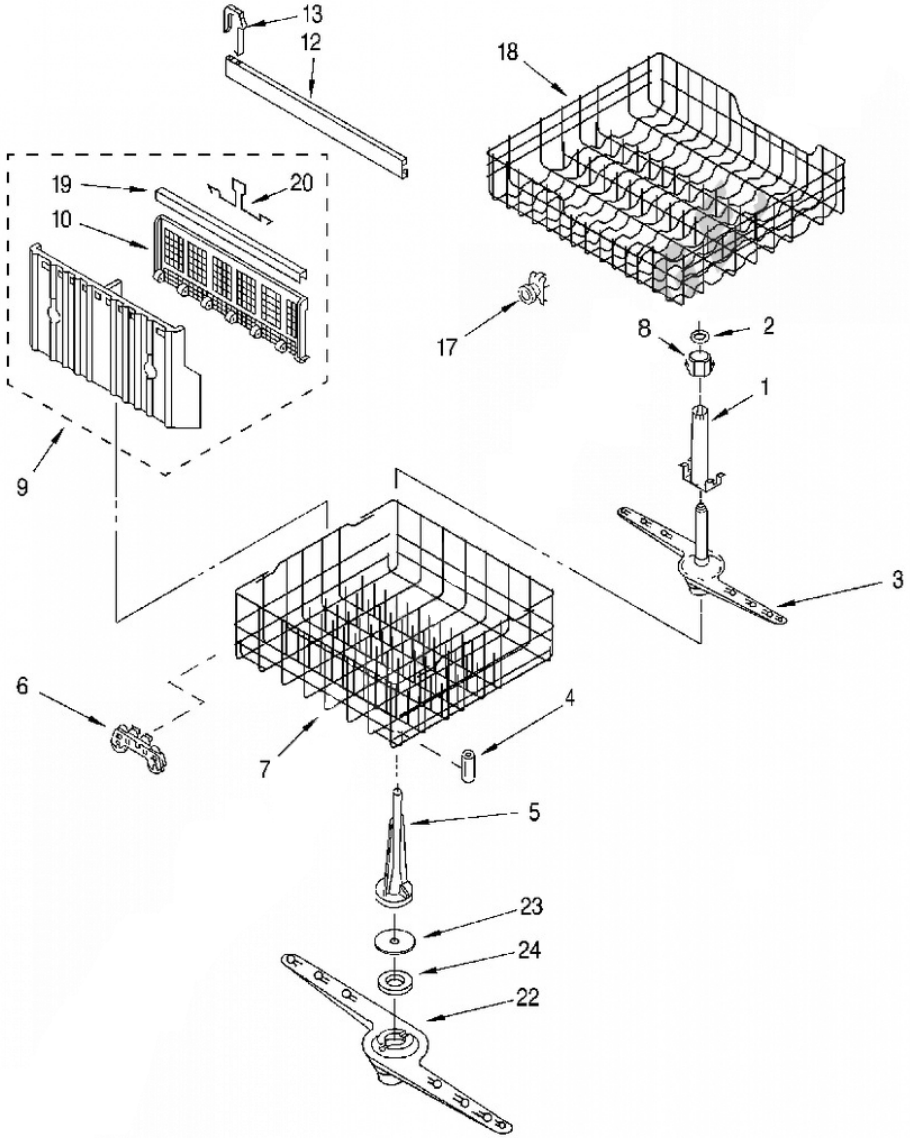


## 7DU900PCDQ0 MOTOR, BOMBA

1	675497	PLATE, PERFORATED (INCLUDES ITEM 5) (S/P)
2	675498	BASE, INLET (INCLUDES ITEMS 1 & 5) (S/P)
3	9741232	SCREW (S/P)
4	302710	SEAL, INLET BASE (S/P)
5	302709	BALL, CHECK (S/P)
6	357574	``O`` RING
7	302721	COVER, VALVE (S/P)
8	675496	VALVE STEM KIT (S/P)
9	675509	SEPARATOR ASSEMBLY (S/P)
10	3400001	SCREW (S/P)
11	675806	IMPELLER, WASH (S/P)
12	3371152	SCREW & SEAL (S/P)
13	302711	SEAL, PUMP OUTLET (S/P)
14	3369478	OUTLET, PUMP (INCLUDES ITEM 13) (S/P)
15	675238	CHECK VALVE (INCLUDES ITEM 6) (S/P)
16	717000	GASKET, PUMP (S/P)
17	675748A	PUMP & MOTOR ASSEMBLY (S/P)
18	302707	BUSHING, GRIND (S/P)
19	675806	CHOPPER KIT (ALSO ORDER ITEM 30) (S/P)
20	3378139	SLEEVE, DRAIN IMPELLER (S/P)
21	9741321	SCREW (S/P)
22	302704	SEAL, DRAIN COVER (S/P)
23	675749	COVER, DRAIN (ALSO ORDER ITEM 30) (S/P)
24	675806	IMPELLER, DRAIN KIT (S/P)
25	8193525	BASE, PUMP (ALSO ORDER ITEM 30) (S/P)
26	3367197	SUPPORT, PUMP MOUNTING (4) (S/P)
27	303252	SLINGER (SEE NOTE A.) (S/P)
28	3378053	MOTOR & FAN ASSEMBLY (S/P)
29	3369331	SCREW (S/P)
30	675703	PUMP SEAL KIT (S/P)
31	303918	TOOL, PUMP CENTERING (S/P)
32	356138	CLAMP, HOSE (S/P)
33	3374077	HOSE, DRAIN (S/P)

34	3371748	CAP, DRAIN (S/P)
35	675772	SHAFT, ABSORBER (S/P)
36	675772	WEIGHT, ABSORBER (S/P)
37	675740	THERMOSTAT (S/P)
38	3376723	SEAL, O-RING (S/P)
39	3376358	RETAINER, THERMOSTAT (S/P)
40	9740674	GASKET, DRAIN COVER (S/P)

**7DU900PCDQ0 CANASTA**





**7DU900PCDQ0 CANASTA**

1	3368290	SUPPORT, ARM (ALSO ORDER ITEMS 2 & 8) (S/P)
2	303722	CLIP (S/P)
3	8268829	SPRAY ARM, UPPER (S/P)
4	3385142	BUMPER (2) (S/P)
5	300848	TOWER, PRESSURE (S/P)
6	3376961	WHEEL & TRANSPORT ASSEMBLY (4) (S/P)
7	W10311986	DISHRACK, LOWER (INCLUDES ITEMS 4 & 6) (S/P)
8	3374702	SUPPORT LOCK, SPRAY ARM (S/P)
9	3369488	SILVERWARE BASKET ASSEMBLY (S/P)
10	3369488	COVER, BASKET (S/P)
12	3379489	TRACK (S/P)
13	3379941	STOP, TRACK (4) (S/P)
17	8268846	WHEEL & AXLE ASSEMBLY (4) (S/P)
18	3369903	DISHRACK, UPPER (S/P)
19	717528	TRIM, BASKET (S/P)
20	300086	HANDLE, BASKET (S/P)
22	3376848	SPRAYARM, LOWER (S/P)
23	3367910	CAP, NOZZLE
24	719576	BEARING, NOZZLE (S/P)