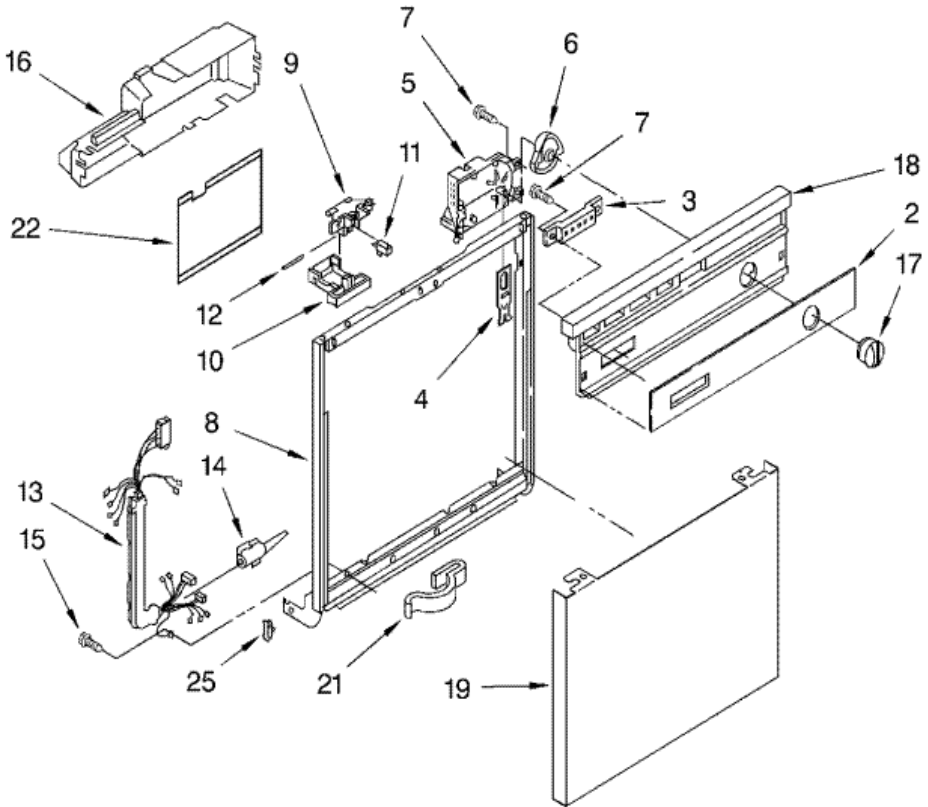


**7DU912PFGQ0 FRAME AND CONSOLE, LITERATURE**

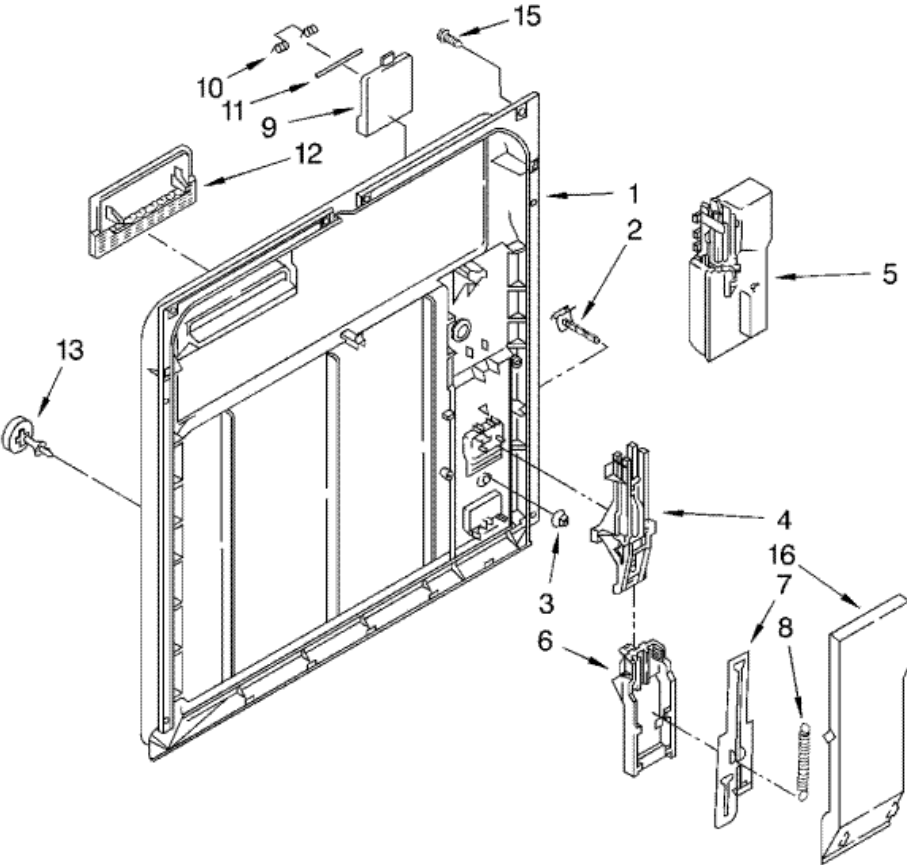




## 7DU912PFGQ0 FRAME AND CONSOLE, LITERATURE

2	8274635	INSERT, CONSOLE (S/P)
3	8274652	SWITCH, 5 BUTTON (S/P)
4	3369529	FOLLOWER, CAM (S/P)
5	8535369	TIMER (S/P)
6	3378124	CAM (S/P)
7	304231	SCREW, (S/P)
8	9743028	DOOR FRAME (BLACK) (S/P)
9	3380854	BOLT, LATCH (S/P)
10	3372231	LEVER, LATCH (S/P)
11	4318273	SWITCH, (2) (S/P)
12	3368955	PIN, SWITCH (2) (S/P)
13	8271432	HARNESS AND PROTECTOR (S/P)
14	3376405	ELBOW, HARNESS (S/P)
15	3400803	SCREW (S/P)
16	3379954	COVER, TIMER (S/P)
17	3375349	KNOB, TIMER (S/P)
18	8051488	CONSOLE (INCLUDES ITEM 2) (S/P)
19	3379376	PANEL, FRONT (S/P)
21	98997	CLIP, HARNESS (S/P)
22	3379671	SHIELD, CONTROL COVER (S/P)
25	3373234	BEARING, SPRING (2) (S/P)

**7DU912PFGQ0 INNER DOOR**





## 7DU912PFGQ0 INNER DOOR

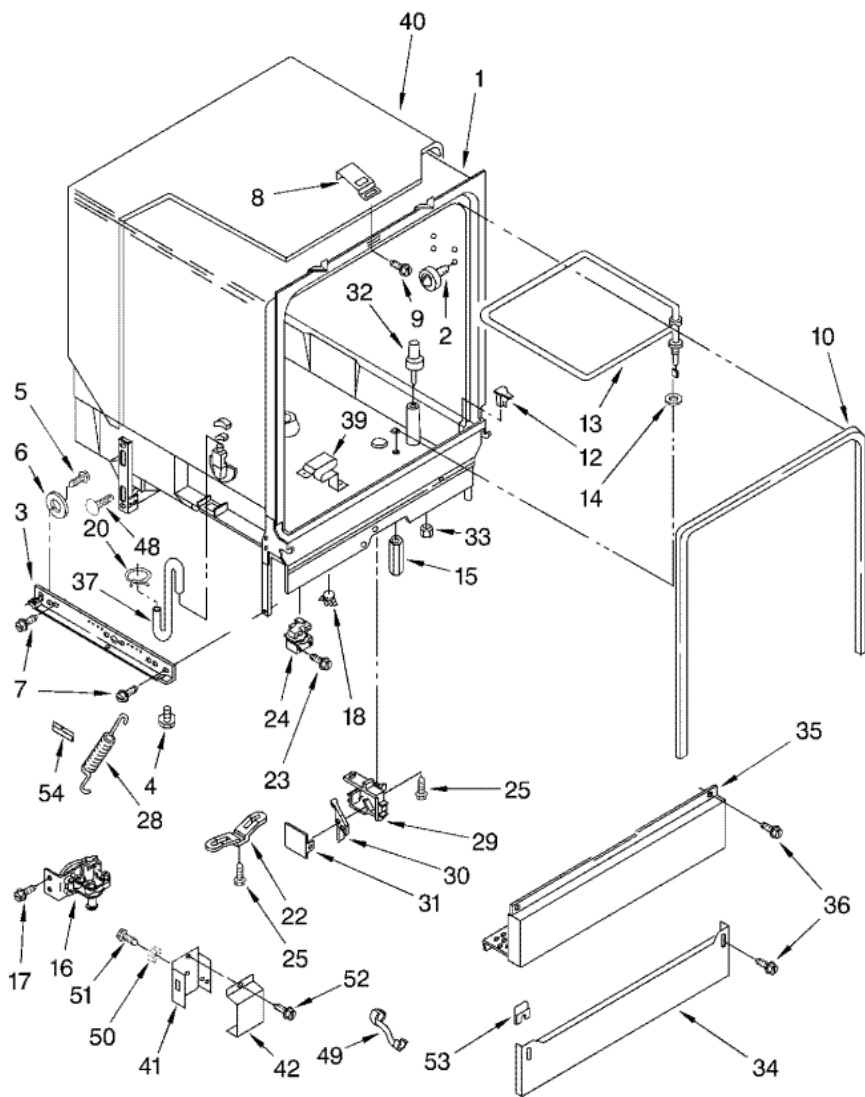
1	3371435	DOOR, INNER (S/P)
2	676413	LATCH, DETERGENT DISPENSER (S/P)
3	676413	SNAP, DETERGENT DISPENSER (S/P)
4	8193646	ACTUATOR ASSEMBLY (S/P)
5	8052027	WET AGENT, DISPENSER (S/P)
6	3369000	DRAW BAR, (UPPER DISPENSER) (S/P)
7	8193646	DRAW BAR (LOWER DISPENSER) (S/P)
8	3368999	SPRING (DRAW BAR) (S/P)
9	3378138	LID ASSEMBLY (S/P)
10	8066018	SPRING, LID (S/P)
11	3372028	PIN (LID HINGE) (S/P)
12	3371710	SCREEN, VENT (S/P)
13	3378134	CAP, WET-AGENT (S/P)
15	3400815	SCREW (S/P)
16	3371569	COVER, DRIP (S/P)

Distribuidor Autorizado

SurteRápido.com

Venta de Refacciones  
Electrodomesticas

## 7DU912PFGQ0 TUB ASSEMBLY





## 7DU912PFGQ0 TUB ASSEMBLY

1	3378160	TUB ASSEMBLY (S/P)
2	3380371	TUB, WHEEL ASSEMBLY (8) (S/P)
3	3368933	RUNNER (2) (S/P)
4	8193716	LEVELER (2) (S/P)
5	3370389	SCREW, SHOULDER (S/P)
6	302819	WHEEL (2) (S/P)
7	343641	SCREW, (S/P)
8	3378149	PLATE, LATCH (S/P)
9	3374720	SCREW (S/P)
10	3376927	GASKET (S/P)
12	8528862	DEFLECTOR (2) (S/P)
13	8519830	HEATER (INCLUDES ITEM 14) (S/P)
14	717273	WASHER, RUBBER (2) (S/P)
15	3378706	NUT (2) (HEATER TERMINAL) (S/P)
16	8283345	WATER VALVE (S/P)
17	304392	SCREW (S/P)
18	661566	THERMOSTAT, HI-LIMIT (S/P)
20	301958	CLAMP (S/P)
22	3378595	BRACKET, THERMOSTAT (S/P)
23	3370225	SCREW (S/P)
24	3369447	RELAY (S/P)
25	304231	SCREW (S/P)
28	3379383	SPRING, DOOR (2) (S/P)
29	3369048	HOUSING, FLOAT SWITCH (S/P)
30	3369067	SWITCH, FLOAT (S/P)
31	3369049	COVER, SWITCH HOUSING (S/P)
32	3376397	FLOAT & WASHER ASSEMBLY (S/P)
33	717488	NUT (S/P)
34	9242861	PANEL, TOE (S/P)
35	9744143	PANEL, ACCESS (S/P)
36	302868	SCREW (S/P)
37	304669	HOSE, INLET
39	3379740	SUPPORT, HEATER (S/P)

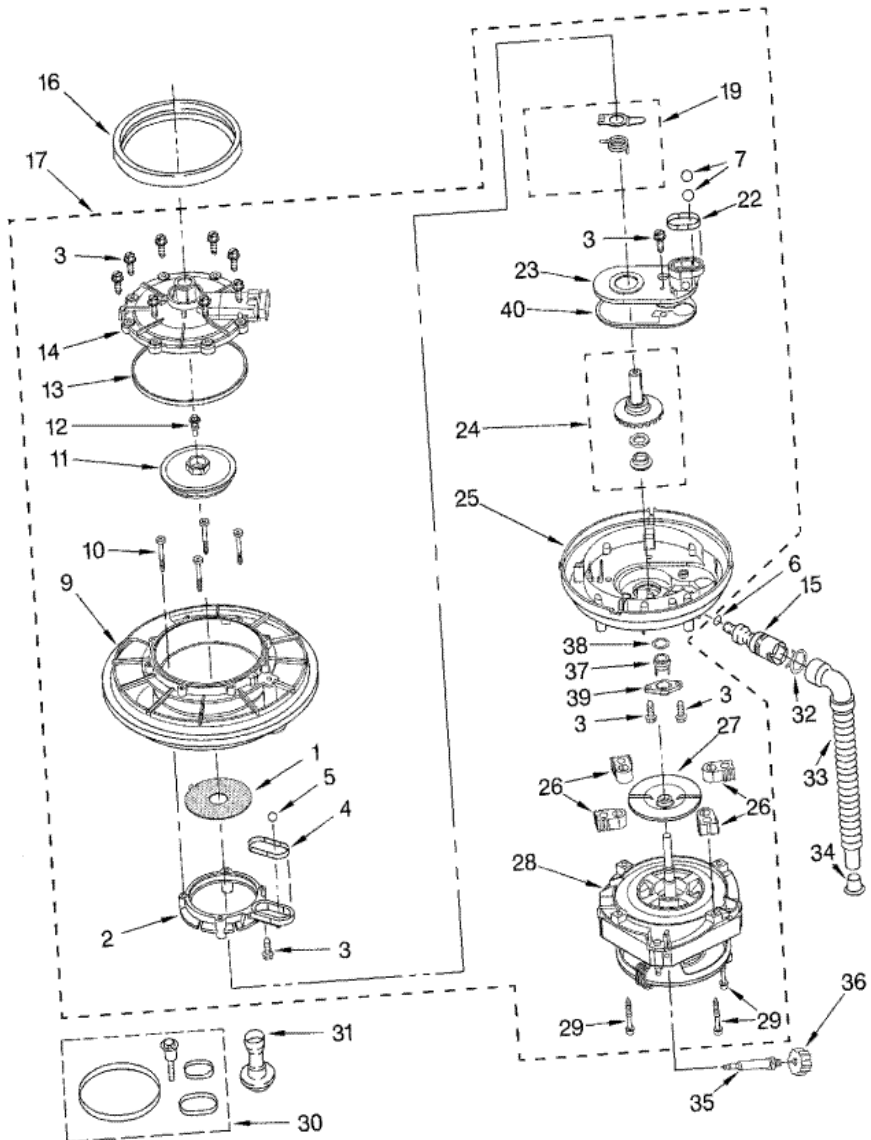
40	8573242	SHIELD, SOUND (S/P)
41	3378131	TERMINAL BOX (S/P)
42	300068	COVER ASSEMBLY, TERMINAL BOX (S/P)
48	304666	RETAINER, PUSH (2) (S/P)
49	3370307	RELIEF, STRAIN (S/P)
50	3378128	WASHER (S/P)
51	3400014	SCREW (S/P)
52	3369138	SCREW (S/P)
53	3378123	CLIP, GROUNDING (S/P)
54	8052018	FRICTION PAD (VELCRO) (S/P)

Distribuidor Autorizado

SurteRápido.com

Venta de Refacciones  
Electrodomesticas

# 7DU912PFGQ0 PUMP AND MOTOR







## 7DU912PFGQ0 PUMP AND MOTOR

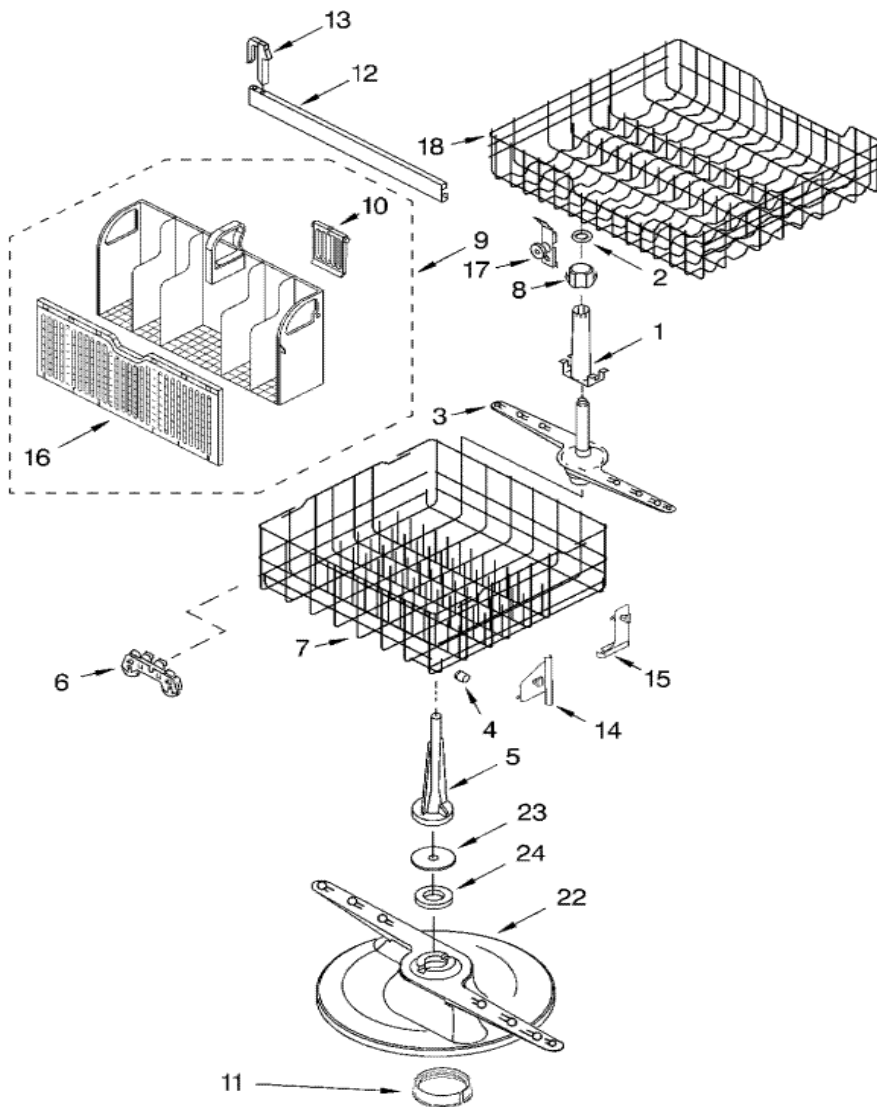
1	675497	PLATE, PERFORATED (INCLUDES ITEM 5)
2	675498	BASE, INLET (INCLUDES ITEMS 1 & 5) <b>(S/P)</b>
4	302710	SEAL, INLET BASE <b>(S/P)</b>
5	302709	BALL, CHECK <b>(S/P)</b>
6	357574	``O`` RING
7	719929	BALL, CHECK <b>(S/P)</b>
9	9742968	FILTER <b>(S/P)</b>
11	675806	IMPELLER, WASH (INCLUDES ITEMS 12 & 13)
12	3371152	SCREW & SEAL <b>(S/P)</b>
13	302711	SEAL, PUMP OUTLET <b>(S/P)</b>
14	3376844	OUTLET, PUMP (INCLUDES ITEM 13) <b>(S/P)</b>
15	675238	CHECK VALVE (INCLUDES ITEM 6) <b>(S/P)</b>
16	717000	GASKET, PUMP <b>(S/P)</b>
17	675793	PUMP & MOTOR ASSEMBLY <b>(S/P)</b>
19	675806	CHOPPER KIT (ALSO ORDER ITEM 30)
22	302704	SEAL, DRAIN COVER <b>(S/P)</b>
23	3376845	COVER, DRAIN (ALSO ORDER ITEM 30) <b>(S/P)</b>
24	675806	IMPELLER, DRAIN KIT
25	8193525	BASE, PUMP (INCLUDES ITEM 24) <b>(S/P)</b>
26	3367197	SUPPORT, PUMP MOUNTING (4) <b>(S/P)</b>
27	303252	SLINGER (SEE NOTE A.) <b>(S/P)</b>
28	3377333	MOTOR (INCLUDES ITEM 27) <b>(S/P)</b>
30	675703	PUMP SEAL KIT (INCLUDES ITEMS 4, 12, 13 & 22)
31	303918	TOOL, PUMP CENTERING <b>(S/P)</b>
32	356138	CLAMP, HOSE <b>(S/P)</b>
33	3374077	HOSE, DRAIN <b>(S/P)</b>
34	3371748	CAP, DRAIN <b>(S/P)</b>
35	675772	SHAFT, ABSORBER <b>(S/P)</b>
36	675772	WEIGHT, ABSORBER <b>(S/P)</b>
37	675740	THERMOSTAT <b>(S/P)</b>
38	3376723	SEAL, O-RING <b>(S/P)</b>
39	3376358	RETAINER, THERMOSTAT <b>(S/P)</b>
40	9740674	GASKET, DRAIN COVER <b>(S/P)</b>

Distribuidor Autorizado

SurteRápido.com

Venta de Refacciones  
Electrodomesticas

## 7DU912PFGQ0 DISHRACK





## 7DU912PFGQ0 DISHRACK

1	3368290	SUPPORT, ARM (ALSO ORDER ITEMS 2 & 8) <b>(S/P)</b>
2	303722	CLIP <b>(S/P)</b>
3	8268829	SPRAY ARM, UPPER (ALSO ORDER ITEM 8) <b>(S/P)</b>
4	3385142	BUMPER (2) <b>(S/P)</b>
5	300848	TOWER, PRESSURE <b>(S/P)</b>
6	3376961	WHEEL & TRANSPORT ASSEMBLY (4) <b>(S/P)</b>
7	8193771	DISHRACK, LOWER (INCLUDES ITEMS 4 & 6) <b>(S/P)</b>
8	3374702	SUPPORT LOCK, SPRAY ARM <b>(S/P)</b>
9	3380872	BASKET, SILVERWARE ASSEMBLY <b>(S/P)</b>
10	8268886	LID, SILVERWARE BASKET <b>(S/P)</b>
11	3376846	SEAL, LOWER SPRAYARM <b>(S/P)</b>
12	3385089	TRACK <b>(S/P)</b>
13	3379941	STOP, TRACK (4) <b>(S/P)</b>
14	8051187	CLIP, SILVERWARE BASKET (LEFT) <b>(S/P)</b>
15	8051188	CLIP, SILVERWARE BASKET (RIGHT) <b>(S/P)</b>
16	8519540	DOOR, SILVERWARE BASKET <b>(S/P)</b>
17	8051116	WHEEL ASSEMBLY <b>(S/P)</b>
18	3369903	DISHRACK, UPPER <b>(S/P)</b>
22	3379363	SPRAYARM, LOWER <b>(S/P)</b>
23	3367910	CAP, NOZZLE <b>(S/P)</b>
24	719576	BEARING, NOZZLE <b>(S/P)</b>