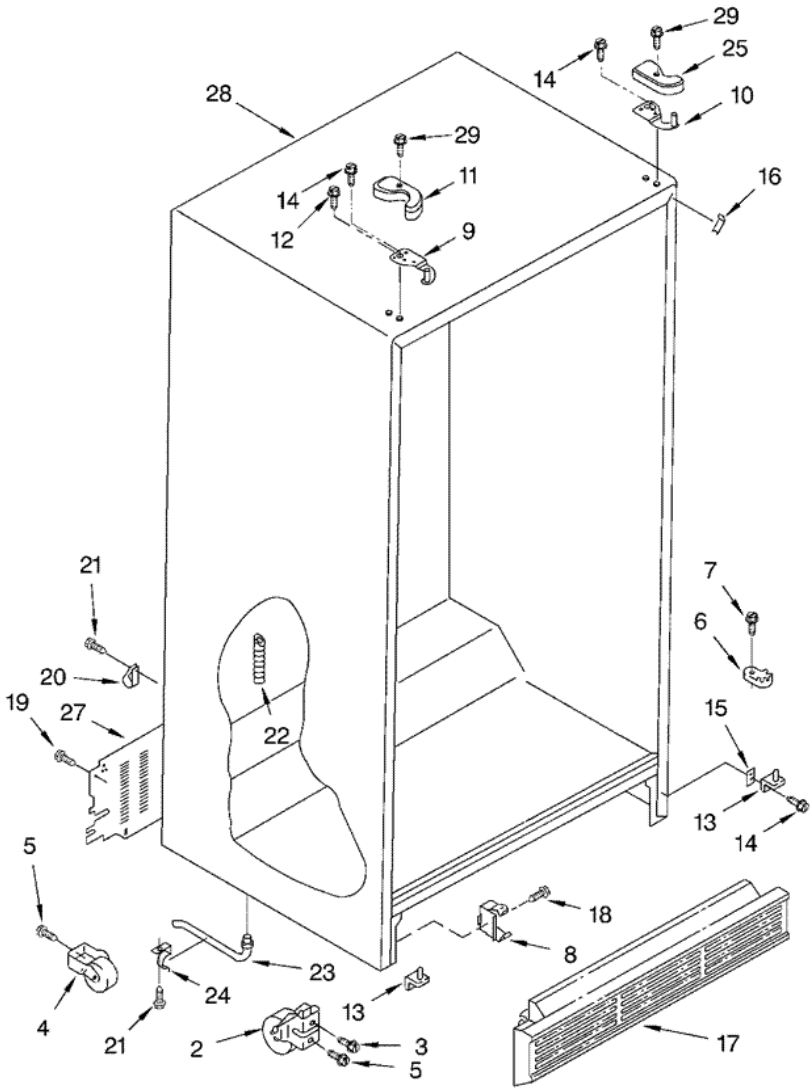


**7ED0GTQXKQ01 CABINET**





## 7ED0GTQXKQ01 CABINET

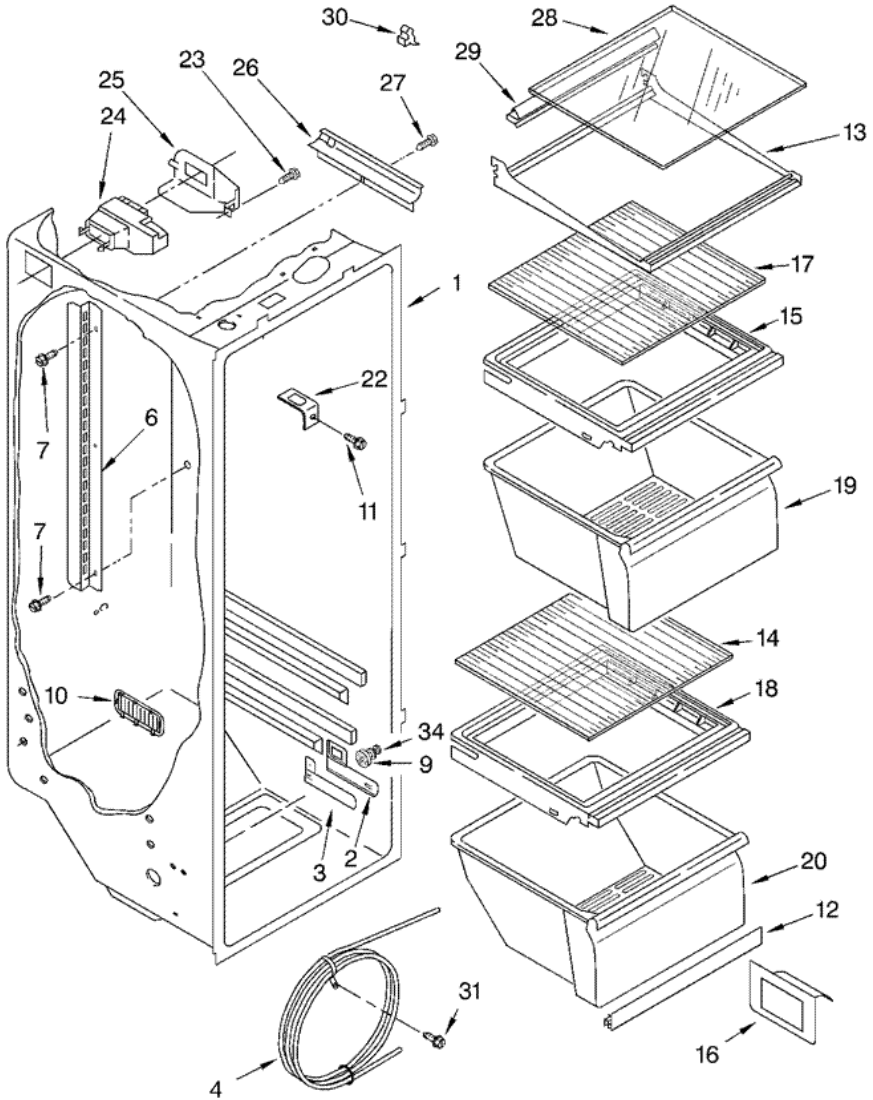
2	4386774	FRONT ROLLER (2)
3	3400517	SCREW (S/P)
4	2196236	ROLLER (REAR) (2) (S/P)
5	489427	SCREW (S/P)
6	2155311	DOOR CLOSER, LOWER CAM (2)
7	489483	SCREW (S/P)
8	2155013	CLIP, GRILLE (S/P)
9	2203770	HINGE, TOP FC (S/P)
10	2203771	HINGE, TOP RC (S/P)
11	2203407W	HINGE COVER-FC (WHITE) (S/P)
12	8281149	SCREW (S/P)
13	8201707	HINGE BOTTOM (2) (S/P)
14	489497	SCREW (S/P)
15	2209697	SPACER, HINGE (S/P)
16	2196094	FILLER, WRAPPER (WHITE) (S/P)
17	2198469W	GRILLE (WHITE) (S/P)
18	489478	SCREW (S/P)
19	489084	SCREW (S/P)
20	488366	CLAMP (S/P)
21	489464	SCREW (S/P)
22	2304888	DRAIN FERRULE (S/P)
23	1108438	EXTENSION TUBE (S/P)
24	1108439	CLIP, DRAIN TUBE (S/P)
25	2203408W	HINGE COVER-RC (WHITE) (S/P)
27	2188753	COVER, UNIT (S/P)
28	*****	CABINET (NOT A SERVICEABLE PART)
29	8281227	SCREW (S/P)

Distribuidor Autorizado

SurteRápido.com

Venta de Refacciones  
Electrodomesticas

## 7ED0GTQXKQ01 REFRIGERATOR LINER

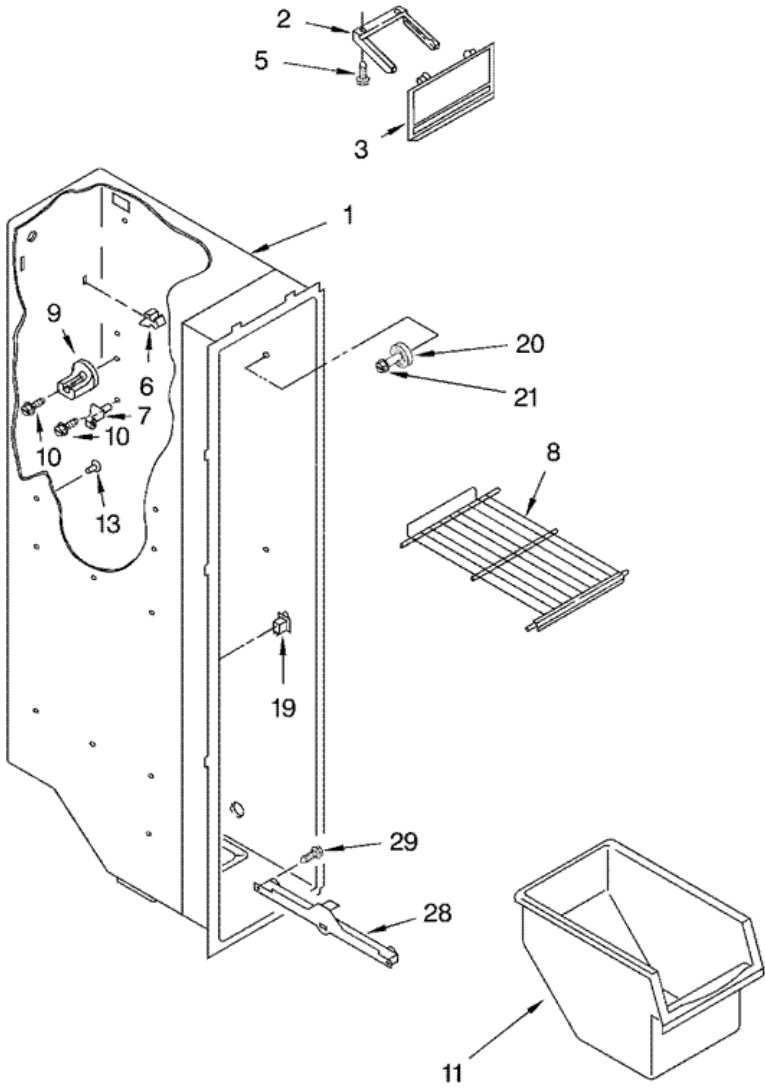




## 7ED0GTQXKQ01 REFRIGERATOR LINER

1	*****	LINER <b>(NOT A SERVICEABLE PART)</b>
2	2194744	ESCUTCHEON, MEAT PAN CONTROL <b>(S/P)</b>
3	2182757	SLIDE, MEAT PAN CONTROL <b>(S/P)</b>
4	2256126	RESERVOIR <b>(S/P)</b>
6	2206270	SHELF LADDER (2) <b>(S/P)</b>
7	487539	SCREW (6) <b>(S/P)</b>
9	2196485	STUD <b>(S/P)</b>
10	8201651	LOUVER <b>(S/P)</b>
11	489290	SCREW (2) <b>(S/P)</b>
12	2209704	EXTENSION <b>(S/P)</b>
13	2173178	SHELF, CANTILEVER <b>(S/P)</b>
14	2179259	GLASS, COVER <b>(S/P)</b>
15	2209698	CRISPER COVER <b>(S/P)</b>
16	2179350	DEFLECTOR <b>(S/P)</b>
17	2174150	GLASS, COVER <b>(S/P)</b>
18	2311726	MEAT PAN COVER <b>(S/P)</b>
19	2188661	CRISPER PAN <b>(S/P)</b>
20	2188664	MEAT PAN <b>(S/P)</b>
22	2256085	BRACKET RETAINER <b>(S/P)</b>
23	489478	SCREW <b>(S/P)</b>
24	2209753	AIR DIFFUSER ASSEMBLY
25	2152019	AIR DIFFUSER COVER <b>(S/P)</b>
26	2150330	COVER, CONDUIT <b>(S/P)</b>
27	486298	SCREW <b>(S/P)</b>
28	2177978	GLASS, SHELF <b>DESCONTINUADO</b>
29	1125525	RETAINER <b>(S/P)</b>
30	842534	CLIP, AIR DUCT <b>(S/P)</b>
31	488280	SCREW <b>(S/P)</b>
34	3400894	SCREW <b>(S/P)</b>

**7ED0GTQXKQ01 FREEZER LINER**





## 7ED0GTQXKQ01 FREEZER LINER

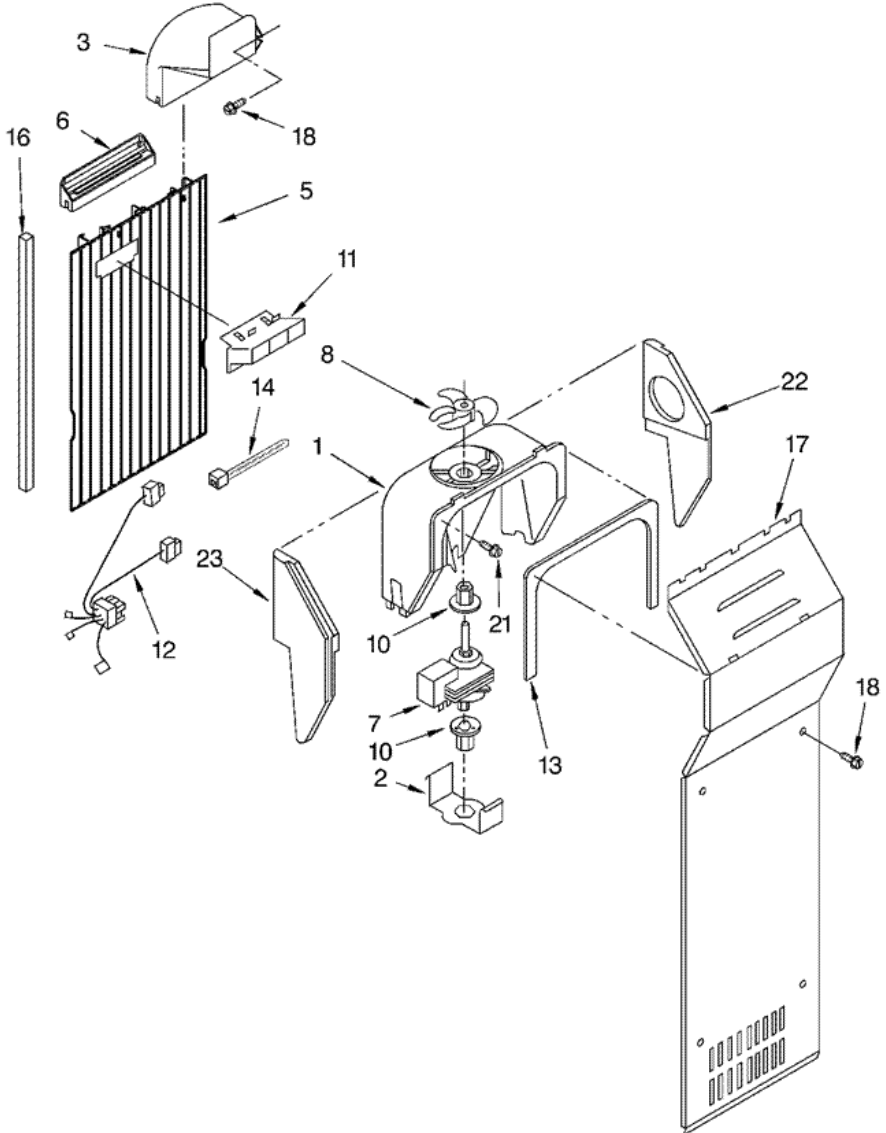
1	*****	LINER (NOT A SEVICEABLE PART)
2	1115380	SLIDE, ICE DOOR (S/P)
3	2171712	DOOR, ICE COMPARTMENT (S/P)
5	489478	SCREW (S/P)
6	842534	CLIP, AIR DUCT (2) (S/P)
7	939203	SUPPORT, STUD (4)
8	2174269	SHELF (1) <b>DESCONTINUADO</b>
8	2174270	SHELF (2) (S/P)
9	2196207	STUD, REAR (S/P)
10	3400893	SCREW (S/P)
11	2171707	FREEZER BIN (S/P)
13	2176134	GROMMET (4) (S/P)
19	4387911	SWITCH, ROCKER ARM (S/P)
20	2196483	STUD (S/P)
21	8281158	SCREW (S/P)
28	1119293	SLIDE, ICE CONTAINER ((RIGHT SIDE))
28	1115383	SLIDE, ICE CONTAINER ((LEFT SIDE)) (S/P)
29	489100	SCREW (S/P)

Distribuidor Autorizado

**SurteRápido.com**

Venta de Refacciones  
Electrodomesticas

## 7ED0GTQXKQ01 AIR FLOW





## 7ED0GTQXKQ01 AIR FLOW

1	2182119	FAN SCROLL (INCLUDES NO.13) <b>(S/P)</b>
2	2155590	RETAINER, FAN MOTOR <b>(S/P)</b>
3	2161231	AIR SCOOP <b>(S/P)</b>
5	4388357	AIR DUCT FREEZER <b>(S/P)</b>
6	2149544	DIFFUSER AIR DUCT <b>(S/P)</b>
7	4389144	FAN MOTOR
8	2169142	FAN BLADE <b>(S/P)</b>
10	2176759	GROMMET, FAN (2) <b>(S/P)</b>
11	2182146	DUCT, ICEMAKER <b>(S/P)</b>
12	2206504	HARNESS, FAN, EVAPORATOR, AND HEATER <b>(S/P)</b>
13	2155789	GASKET, FAN SCROLL <b>(S/P)</b>
14	3347868	STRAP <b>(S/P)</b>
16	4388500	GASKET <b>(S/P)</b>
17	4388357	COVER, EVAPORATOR <b>(S/P)</b>
18	489355	SCREW <b>(S/P)</b>
21	489478	SCREW <b>(S/P)</b>
22	4388358	SUPPORT, R.S. <b>(S/P)</b>
23	4388358	SUPPORT, L.S. <b>(S/P)</b>

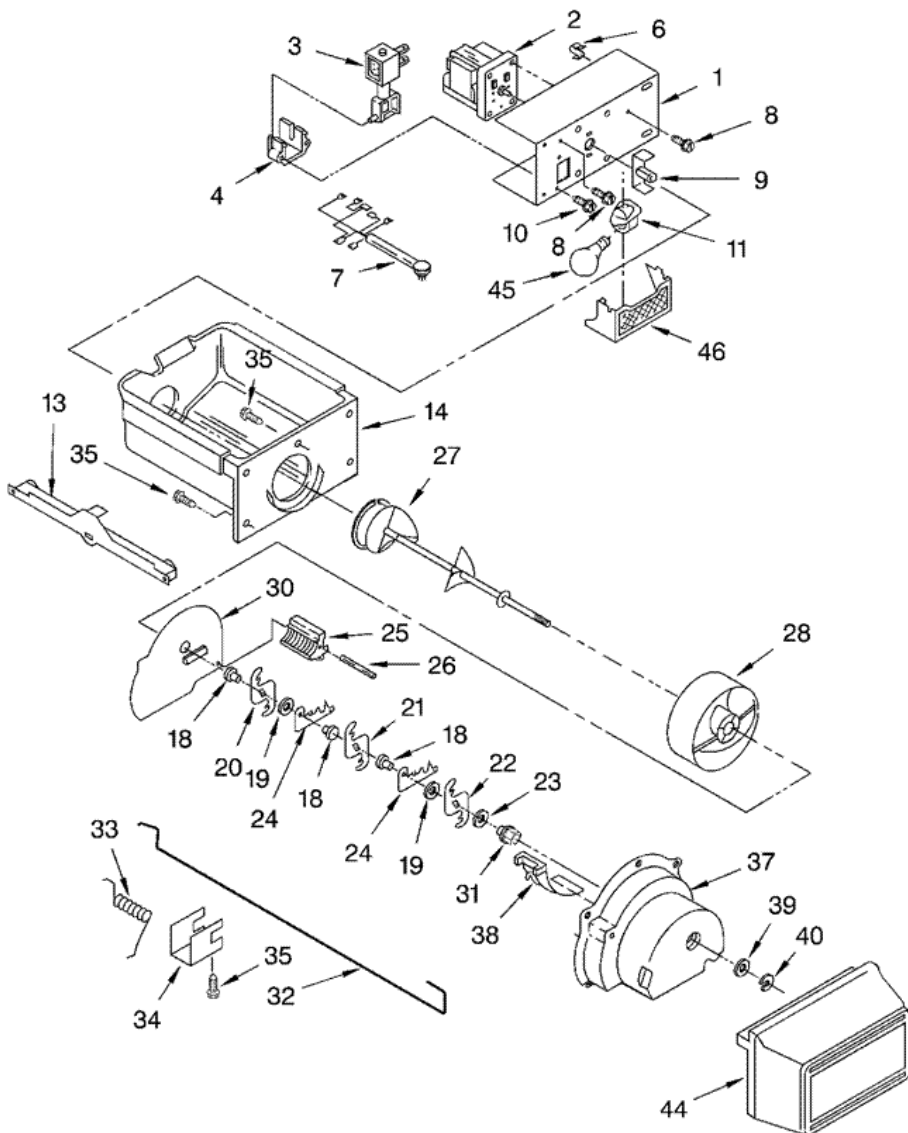


Distribuidor Autorizado

SurteRápido.com

Venta de Refacciones  
Electrodomesticas

## 7ED0GTQXKQ01 ICE CONTAINER



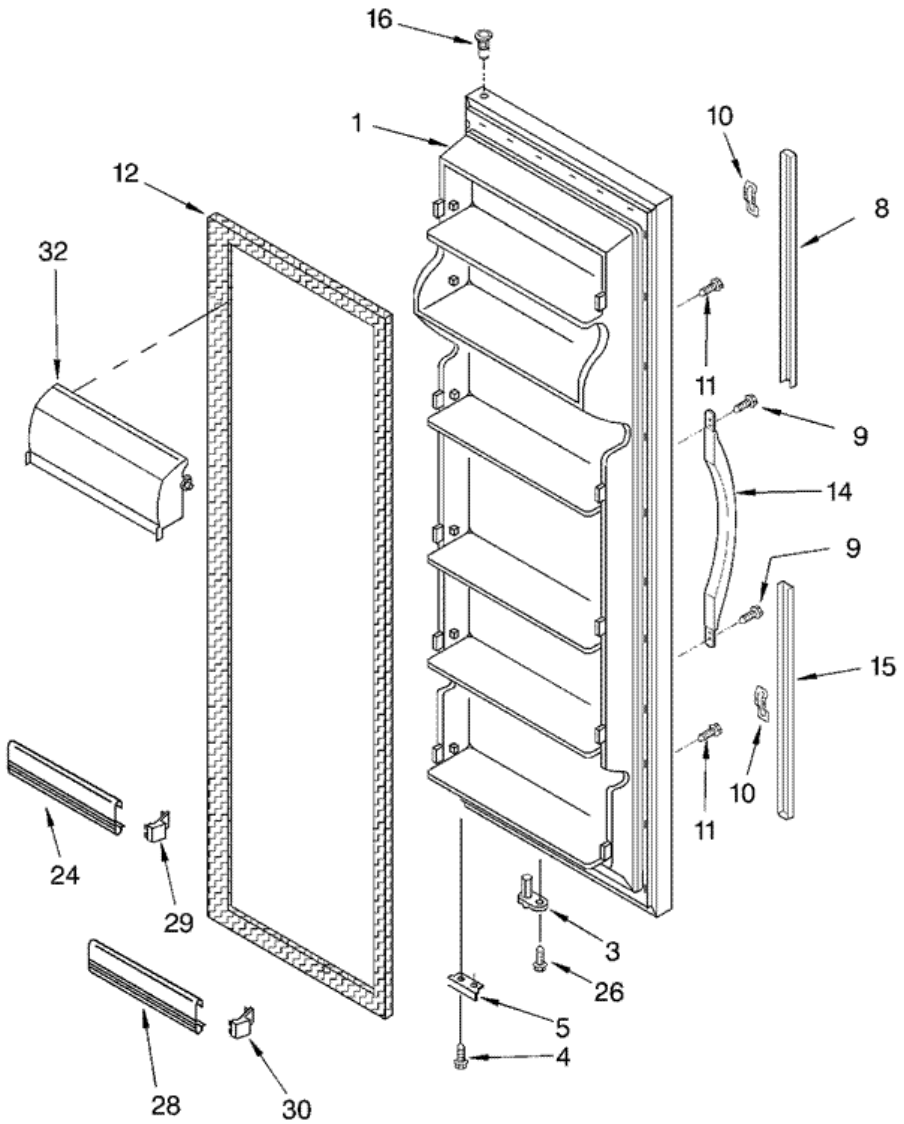


## 7ED0GTQXKQ01 ICE CONTAINER

1	2254588	BRACKET, MOTOR (S/P)
2	2188242	MOTOR, DISPENSER (S/P)
3	2152713	SOLENIOD ASSEMBLY (S/P)
4	2149100	GUIDE, SOLENOID (S/P)
6	1115374	CLIP, WIRING (S/P)
7	2206501	WIRING ASSEMBLY, ICE DISPENSER (S/P)
8	489399	SCREW (S/P)
9	2205716	COUPLING, MOTOR (S/P)
10	489478	SCREW (S/P)
11	4387478	SOCKET, LIGHT (S/P)
13	1119237	SLIDE, CONTAINER (LEFT SIDE) (S/P)
13	1119293	SLIDE, CONTAINER (RIGHT SIDE) (S/P)
14	2196090	ICE CONTAINER
18	1119005	SPACER, STEP (3)
19	1119007	SPACER, FLAT (2)
20	2257022	BLADE, ROTARY
21	2257023	BLADE, ROTARY
22	2257024	BLADE, ROTARY
23	489235	WASHER, PLAIN
24	1119009	BLADE, FIXED (2) (S/P)
25	2157405	BLOCK, BLADE (S/P)
26	489229	ROLL PIN
27	2196296	AUGER
28	4388496	DRUM
30	2171682	FLOATING BAFFLE (S/P)
31	1119018	NUT, BEARING (S/P)
32	2169938	CONTROL ARM (S/P)
33	1119020	SPRING, RETURN (S/P)
34	1119021	RETAINER CLIP, ROD (S/P)
35	488886	SCREW (S/P)
37	2180348	HOUSING, CRUSHER (S/P)
38	1119017	DEFLECTOR, ICE (S/P)
39	489234	WASHER, PLAIN (S/P)

40	489236	RETAINER RING (S/P)
44	2171709	FRONT COVER, ICE CONTAINER (S/P)
45	527949	LIGHT BULB (S/P)
46	2171706	LIGHT LENS, DISPENSER (S/P)

**7ED0GTQXKQ01 REFRIGERATOR  
 DOOR**

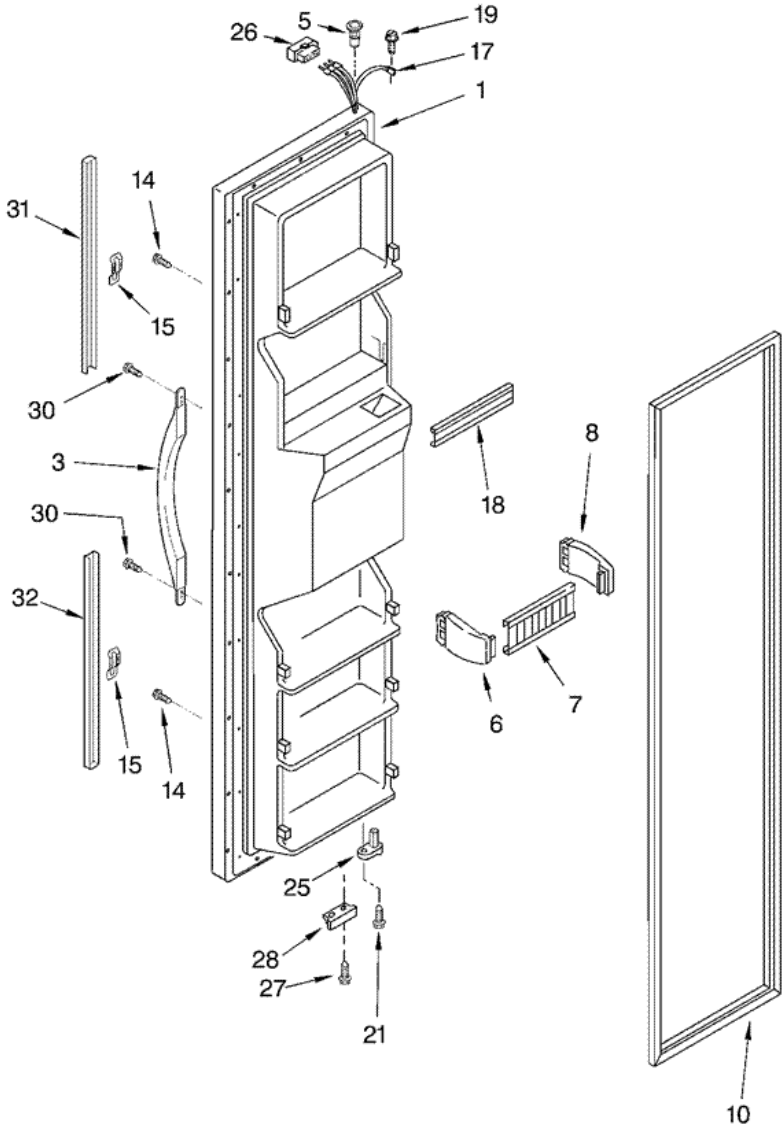




**7ED0GTQXKQ01 REFRIGERATOR  
DOOR**

1	2206727W	REFRIGERATOR DOOR (WHITE) (S/P)
3	2182179	DOOR CLOSER, UPPER CAM (S/P)
4	489420	SCREW (S/P)
5	2206629	BRACKET, DOOR STOP (CHROME) (S/P)
8	2194971W	EXTENSION, HANDLE TOP (WHITE) (S/P)
9	489491	SCREW (S/P)
10	2195327	CLIP (S/P)
11	3400852	SCREW (S/P)
12	2159073	DOOR GASKET, MAGNETIC (MIST BEIGE) (S/P)
14	2186649W	HANDLE, CENTER (WHITE) (S/P)
15	2194969W	EXTENSION, HANDLE BOTTOM (WHITE) (S/P)
16	2182181	THIMBLE-TOP (S/P)
24	2195934	TRIM, DOOR SHELF (S/P)
26	3400012	SCREW (S/P)
28	2256010	TRIM, DOOR SHELF (4) (S/P)
29	2195915	END CAP (2) (S/P)
30	2195916	END CAP (8) (S/P)
32	2256101	COMPARTMENT DOOR (S/P)

**7ED0GTQXKQ01 FREEZER DOOR**





## 7ED0GTQXKQ01 FREEZER DOOR

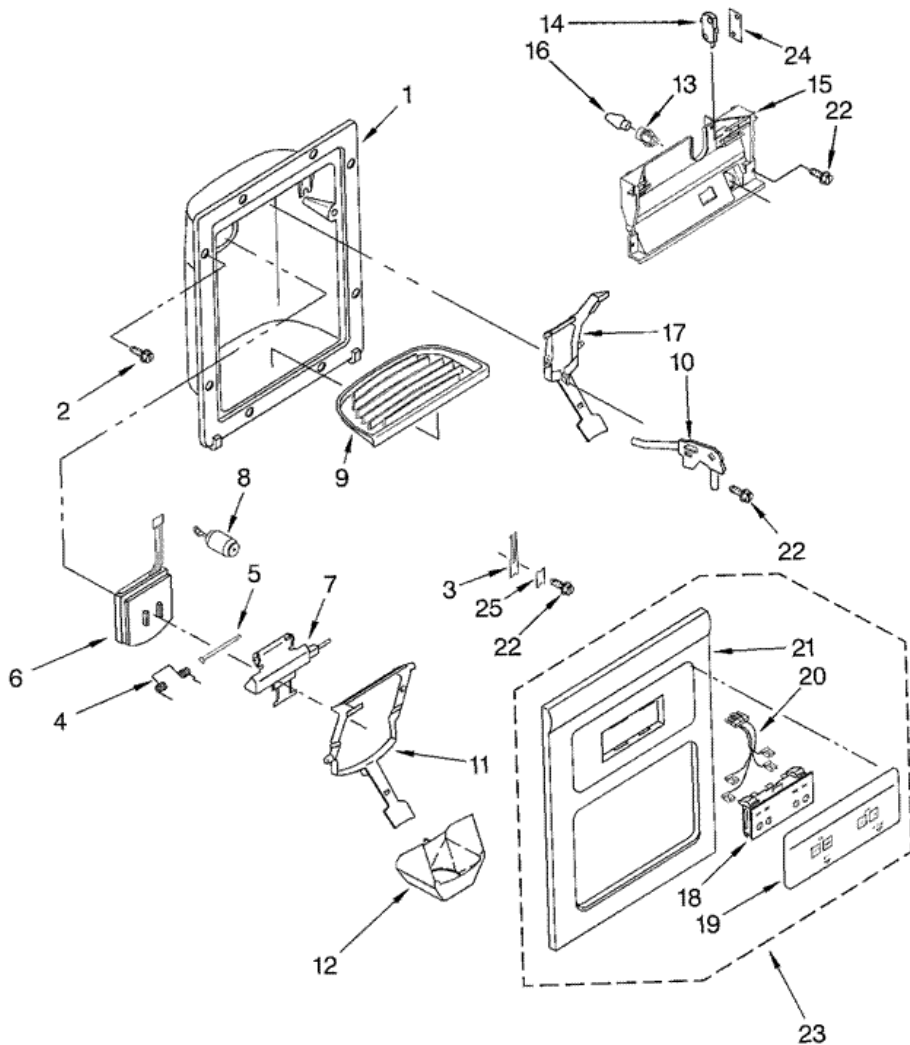
1	2216369W	FREEZER, DOOR (WHITE) (S/P)
3	2186649W	HANDLE (WHITE) (S/P)
5	2182181	THIMBLE-TOP (S/P)
6	2195916	ENDCAP (S/P)
7	2195919	TRIM, DOOR SHELF (S/P)
8	2195917	ENDCAP (S/P)
10	2159072	DOOR, GASKET MAGNETIC (MIST BEIGE) (S/P)
14	3400852	SCREW (S/P)
15	2195327	CLIP (S/P)
17	2311642	HARNESS, DOOR (S/P)
18	2209680	TRIM, DOOR SHELF (S/P)
19	8281149	SCREW (S/P)
21	3400012	SCREW (S/P)
25	2182179	DOOR CLOSER, UPPER CAM (S/P)
26	2154473	CONNECTOR (S/P)
27	489420	SCREW (S/P)
28	2206629	BRACKET, DOOR STOP (CHROME) (S/P)
30	489491	SCREW (S/P)
31	2194971W	EXTENSION, HANDLE TOP (WHITE) (S/P)
32	2194969W	EXTENSION, HANDLE BOTTOM (WHITE) (S/P)

Distribuidor Autorizado

SurteRápido.com

Venta de Refacciones  
Electrodomesticas

## 7ED0GTQXKQ01 DISPENSER FRONT







## 7ED0GTQXKQ01 DISPENSER FRONT

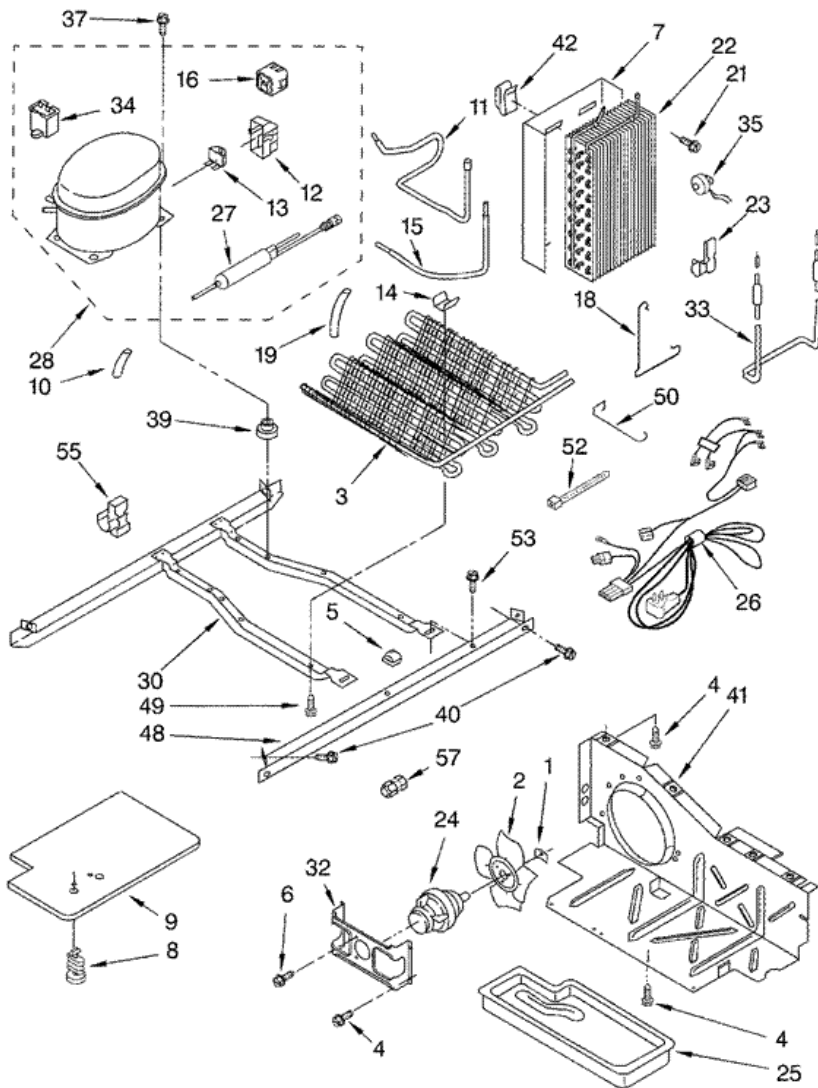
1	*****	HOUSING, DISPENSER (NOT SERVICED)
2	3196165	SCREW (S/P)
3	2194719	RETAINER, LEVERS (S/P)
4	2180209	SPRING, TORSION (S/P)
5	2196195	PIN (S/P)
6	2180353	DOOR, ICE
7	8201649	DOOR MECHANISM ASSEMBLY
8	8201649	MECHANISM DELAY
9	2206671W	GRILLE, OVERFLOW (WHITE) (S/P)
10	8201537	WATER FITTING ASSEMBLY (S/P)
11	2180261	LEVER, ICE DISPENSER (WHITE) (S/P)
12	2180224	GUIDE, ICE
13	2180200	LAMP HOLDER (S/P)
14	2162361	SWITCH (2) (S/P)
15	2180226	BRACKET, CONTROL
16	3406124	BULB, LIGHT (S/P)
17	2180268	LEVER, WATER DISPENSER (WHITE) (S/P)
18	*****	SWITCH ASSEMBLY (NOT AVAILABLE ORDER NO.23)
19	*****	PLAQUE, FRONT C (NOT AVAILABLE ORDER NO.23)
20	2187408	WIRE ASSEMBLY (S/P)
21	*****	FRONT C, HOUSING (NOT AVAILABLE, ORDER NO.23)
22	489000	SCREW (S/P)
23	2219893W	FRONT COVER ASSEMBLY (WHITE) (S/P)
24	625834	SPACER, SWITCH (2) (S/P)
25	2195051	STRAIN RELIEF (S/P)

Distribuidor Autorizado

**SurteRápido.com**

Venta de Refacciones  
Electrodomesticas

**7ED0GTQXKQ01 UNIT**





## 7ED0GTQXKQ01 UNIT

1	486692	SPEED NUT (S/P)
2	2190685	FAN, BLADE (S/P)
3	8201683	CONDENSER ASSEMBLY (S/P)
4	489464	SCREW (S/P)
5	2200079	CLIP, TUBE (2) (S/P)
6	489099	SCREW (S/P)
7	2256149	HEAT SHIELD AND DRAIN PAN (S/P)
8	489396	CLIP (S/P)
9	2182057	COVER, UNIT COMPARTMENT (S/P)
10	2158826	DAMPENER (S/P)
11	2205764	TUBE SUCTION (S/P)
12	2162358	COVER (SERVICE COMPRESSOR ONLY) (S/P)
13	4387535	OVERLOAD (S/P)
14	2216914	CLIP, CONDENSER (S/P)
15	2211760	TUBE, CONDENSER TO HEAT LOOP (S/P)
16	8201786	START-DEVICE, COMBINATION (S/P)
17	2223313	CLIP, RETAINING (S/P)
18	2161324	CLIP, DEFROST HEATER (S/P)
19	2162499	SLEEVE (S/P)
21	487869	SCREW (S/P)
22	2188822	EVAPORATOR (S/P)
23	2161330	CLIP, HEATER (2) <b>DESCONTINUADO</b>
24	4387244	FAN, MOTOR (S/P)
25	842041	TRAY, EVAPORATOR (S/P)
26	8201633	HARNESS, UNIT (S/P)
27	4387019	DRIER (S/P)
28	8201557	COMPRESSOR (S/P)
30	1127943	UNIT MOUNTING FRAME (S/P)
32	2181929	FAN, MOTOR BRACKET (S/P)
33	2188174	HEATER, DEFROST (S/P)
34	4387764	CAPACITOR (SERVICE COMPRESSOR ONLY) (S/P)
35	2319914	BI-METAL, DEFROST
37	876811	SCREW (S/P)

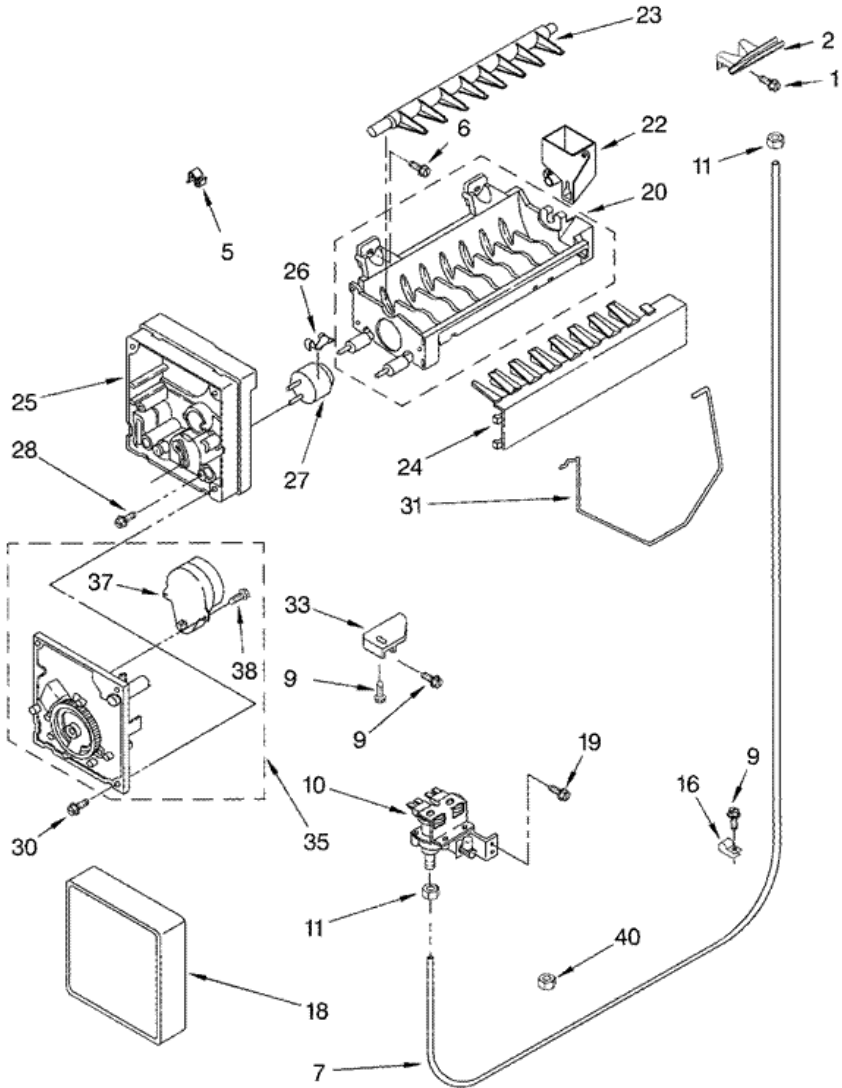
39	4388295	GROMMET (4) (S/P)
40	489340	SCREW (S/P)
41	2196201	AIR BAFFLE (S/P)
42	2155547	CLIP, HEAT SHIELD (S/P)
48	2149718	UNIT MOUNTING RAIL (S/P)
49	8281232	SCREW (S/P)
50	1105612	GUARD, FAN (S/P)
52	3347868	STRAP (S/P)
53	489427	SCREW (S/P)
55	2208280	CLIP, WIRE (S/P)
57	978028	VALVE, ACCESS (1/2") (S/P)
57	4373559	CONNECTOR AND WATER TUBE (S/P)
57	978025	VALVE, ACCESS (1/4") (S/P)
57	978027	VALVE, ACCESS (3/8") (S/P)
57	876764	VALVE, ACCESS (3/16") (S/P)
57	978026	VALVE, ACCESS (5/16") (S/P)
57	978029	VALVE, ACCESS (5/8") (S/P)
57	978030	VALVE, ACCESS (3/4") (S/P)

Distribuidor Autorizado

SurteRápido.com

Venta de Refacciones  
Electrodomesticas

## 7ED0GTQXKQ01 ICE MAKER





## 7ED0GTQXKQ01 ICE MAKER

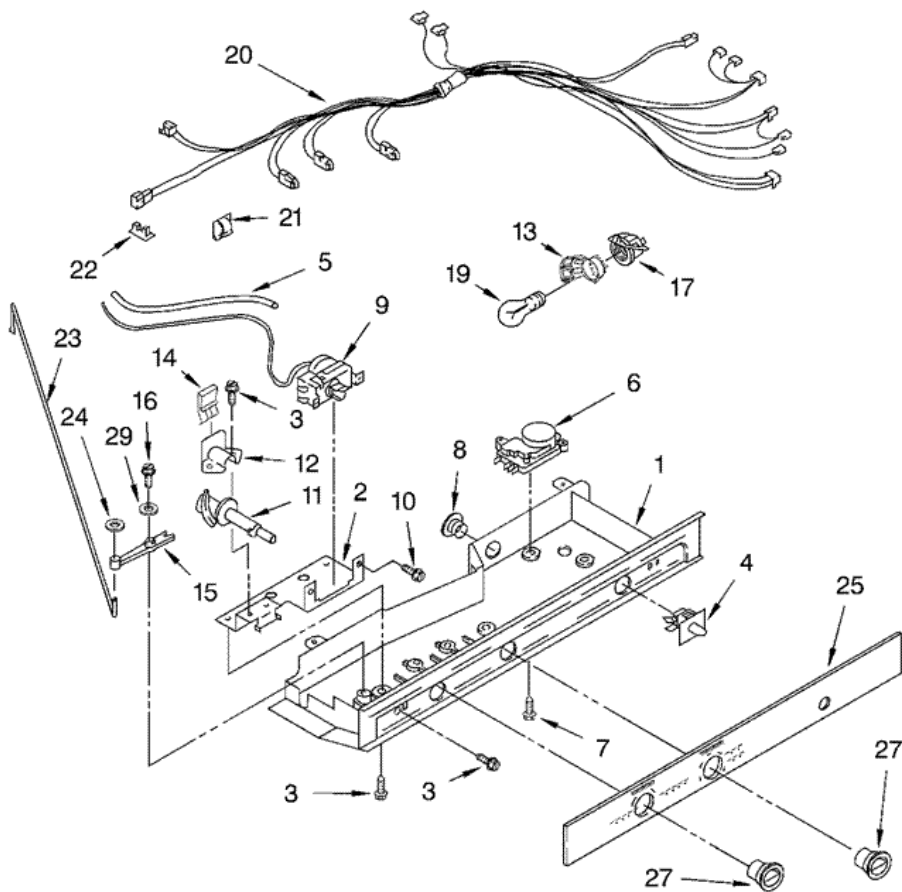
1	489084	SCREW (S/P)
2	2209774	CHUTE, WATER (S/P)
5	628379	CLIP, FUSE (S/P)
6	488208	SCREW (S/P)
7	487492	TUBE, WATER (S/P)
9	489478	SCREW (S/P)
10	2188542	VALVE, SOLENOID (S/P)
11	627018	NUT, COMPRESSION (S/P)
16	488366	CLAMP, TUBE (S/P)
18	2174155	COVER (S/P)
19	488649	SCREW (S/P)
20	628228	MOLD & HEATER ASSEMBLY (S/P)
20	542638	SILICONE GREASE) (S/P)
22	628356	CUP-WATER FILL (S/P)
23	627843	EJECTOR (S/P)
24	2182124	ICE STRIPER (S/P)
25	2195914	SUPPORT (S/P)
26	2315522	RETAINER, THERMOSTAT (S/P)
27	627985	THERMOSTAT (ALSO ORDER
27	4317852	CEMENT ALUMILASTIC) (S/P)
28	489322	SCREW (S/P)
30	489276	SCREW (S/P)
31	2304354	SHUT OFF ARM (S/P)
33	628320	BRACKET (S/P)
35	628399	MODULE ASSEMBLY (INCLUDES ITEMS 37 & 38) (S/P)
37	628398	MOTOR (S/P)
38	489136	SCREW (S/P)
40	4318011	NUT, COMPRESSION (S/P)
100	4317943	COMPLETE ICEMAKER ASSEMBLY

Distribuidor Autorizado

**SurteRápido.com**

Venta de Refacciones  
Electrodomesticas

**7ED0GTQXKQ01 CONTROL**





## 7ED0GTQXKQ01 CONTROL

1	2200137	CONTROL BOX (S/P)
2	1110629	MOUNTING BRACKET (S/P)
3	3196537	SCREW (4) (S/P)
4	1116849	LIGHT SWITCH
5	2196003	TUBE BARRIER, THERMOSTAT (S/P)
6	482493	DEFROST TIMER
7	489398	SCREW (2) (S/P)
8	940014	HOLE PLUG (S/P)
9	2198202	THERMOSTAT ASSEMBLY
10	487869	SCREW (S/P)
11	2182195	CAM ASSEMBLY (S/P)
12	1110560	BEARING BODY (S/P)
13	2175210	SHROUD, LIGHT (S/P)
14	2196062	CLIP, DAMPER CONTROL (S/P)
15	1110559	PIVOT ARM (S/P)
16	627068	SCREW (S/P)
17	4387478	LIGHT SOCKET
19	527949	LIGHT BULB (S/P)
20	2206513	CONTROL BOX HARNESS (S/P)
21	1115374	CLIP, WIRING (S/P)
22	1115375	CLIP, WIRING (S/P)
23	1123959	CONNECTING ROD (S/P)
24	489285	FASTENER, PUSH-ON (S/P)
25	2212074	ESCUTCHEON, CONTROL BOX <b>DESCONTINUADO</b>
27	2197871	KNOB, AIR CONTROL (S/P)
29	212643	SEALER, GUM (4 FEET) (S/P)
29	2209778	ICE CRUSHER MECHANISM ASSEMBLY (S/P)
29	1117510	TORX KEY (S/P)
29	2209778	ICE CONTAINER ASSEMBLY (S/P)
29	261890	XENAMEL, GOLDEN HARVEST (S/P)
29	261891	ENAMEL, GOLDEN HARVEST <b>DESCONTINUADO</b>
29	350930	XENAMEL, WHITE (12 OZ. SPRAY CAN) (S/P)
29	830864	XENAMEL, BLACK (12 OZ. SPRAY CAN) (S/P)



29	350942	XPRIMER, WHITE (12 OZ. SPRAY CAN) <b>(S/P)</b>
29	350956	XENAMEL, ALMOND (12 OZ. SPRAY CAN) <b>(S/P)</b>
29	479502	TAPE, VINYL (3/4 X 108``) <b>(S/P)</b>
29	72032	BRUSH TOUCH-UP KIT (BLACK) <b>(S/P)</b>
29	72107	BRUSH TOUCH-UP KIT (ALMOND) <b>(S/P)</b>
29	72110	BRUSH TOUCH-UP KIT (GOLDEN HARVEST) <b>(S/P)</b>
29	799833	KIT, EVAPORATOR REPAIR <b>DESCONTINUADO</b>
29	876370	KIT, INSULATION (14 PCS. X 3`` X 24`` X 48``) <b>(S/P)</b>
29	978883	ENAMEL, ALMOND (1 QT. UNCUT) <b>(S/P)</b>
29	876370	INSULATION, FIBERGLASS <b>(S/P)</b>
29	511873	TOUCH-UP, WHITE PORCELAIN (2 OZ.) <b>(S/P)</b>
29	4317852	CEMENT, ALUMILASTIC (1-1/4 OZ.) <b>(S/P)</b>
29	606755	BAG, INSULATION (36-5/8`` X 46``) <b>(S/P)</b>
29	489203	SPRING WASHER <b>(S/P)</b>
29	503695	CORK, SEALER (1/4 POUND) <b>(S/P)</b>
29	505587	SEALER, MASTIC (1 QT.) <b>(S/P)</b>
29	542638	GREASE, SILICONE (1/2 OZ.) <b>(S/P)</b>
29	72017	BRUSH TOUCH-UP KIT (WHITE) <b>(S/P)</b>
29	786032	ENAMEL, BLACK (1 QT. UNCUT) <b>(S/P)</b>
29	799344	ENAMEL, WHITE (1 QT. UNCUT) <b>(S/P)</b>
29	833938	KIT, TERMINAL CONNECTOR <b>(S/P)</b>
29	876029	KIT, FOAM SLAB (30`` X 32-1/2`` X 1-1/2``) <b>(S/P)</b>
29	876370	KIT, INSULATION (2 PCS. X 3`` X 24`` X 48``) <b>(S/P)</b>