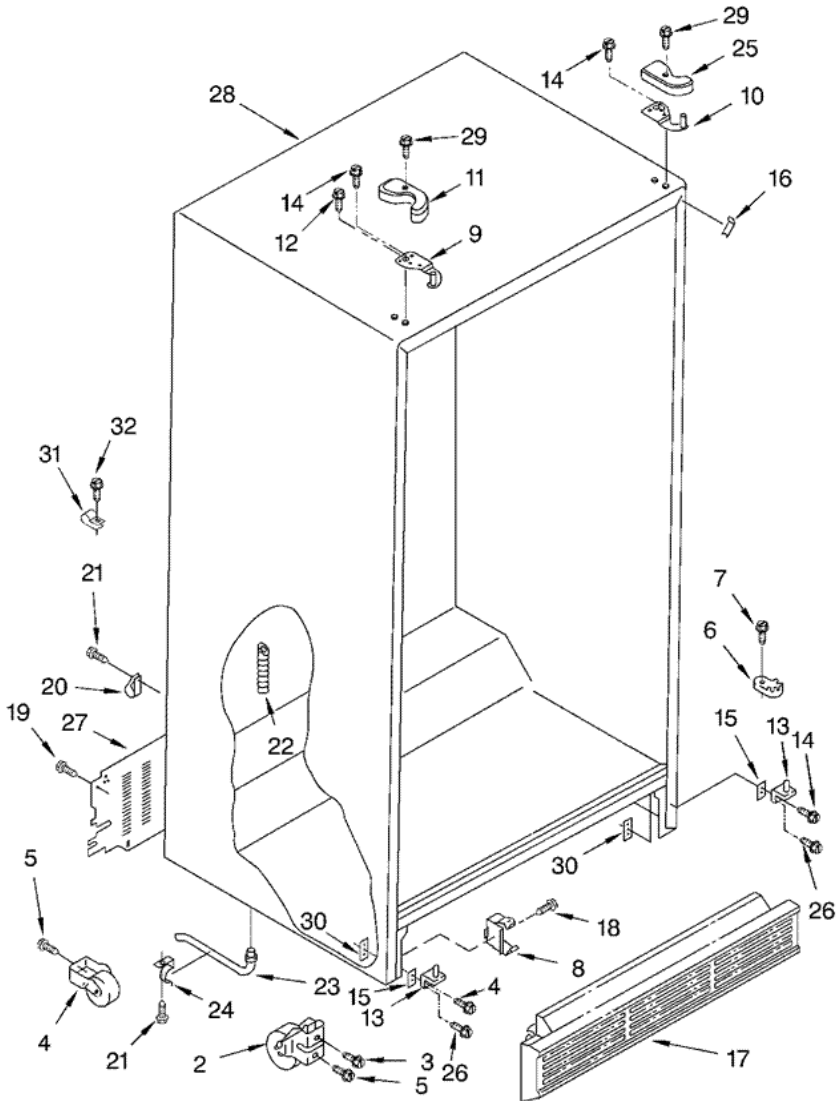


Distribuidor Autorizado

SurteRápido.com

Venta de Refacciones
Electrodomesticas

7ED0GTQXKQ02 CABINET





7ED0GTQXKQ02 CABINET

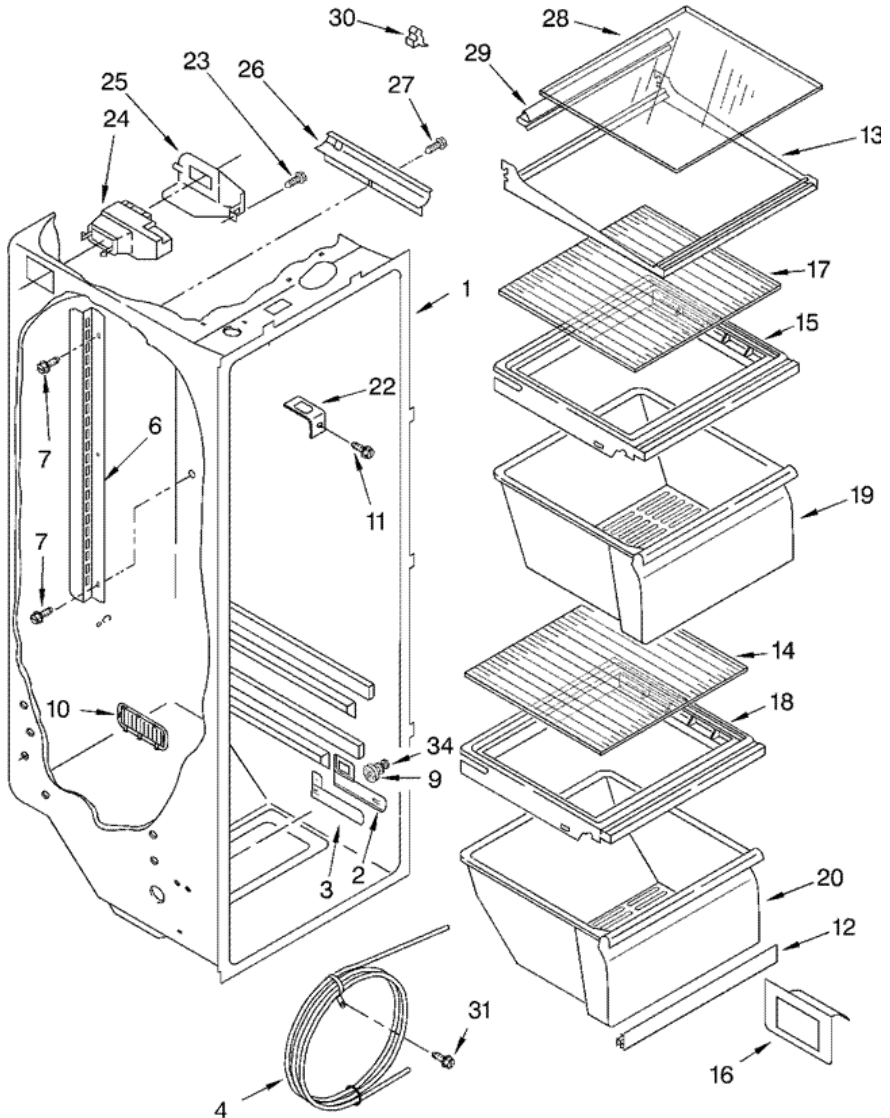
2	4386774	FRONT ROLLER (2)
3	3400517	SCREW (S/P)
4	2196236	ROLLER (REAR) (2) (S/P)
5	489427	SCREW (S/P)
6	2155311	DOOR CLOSER, LOWER CAM (2)
7	489483	SCREW (S/P)
8	2155013	CLIP, GRILLE (S/P)
9	2203770	HINGE, TOP FC (S/P)
10	2203771	HINGE, TOP RC (S/P)
11	2203407W	HINGE COVER-FC (WHITE) (S/P)
12	8281149	SCREW (S/P)
13	8201707	HINGE BOTTOM (2) (S/P)
14	489497	SCREW (S/P)
15	2209697	SPACER, HINGE (S/P)
16	2196094	FILLER, WRAPPER (WHITE) (S/P)
17	W10283945	GRILLE (WHITE) (S/P)
18	488500	SCREW (S/P)
19	489084	SCREW (S/P)
20	488366	CLAMP (S/P)
21	489464	SCREW (S/P)
22	2304888	DRAIN FERRULE (S/P)
23	1108438	EXTENSION TUBE (S/P)
24	1108439	CLIP, DRAIN TUBE (S/P)
25	2203408W	HINGE COVER-RC (WHITE) (S/P)
26	3400103	SCREW (S/P)
27	2188753	COVER, UNIT (S/P)
28	*****	CABINET (NOT A SERVICEABLE PART)
29	8281227	SCREW (S/P)
30	596171	PLATE, SCREW (S/P)
31	489348	CLAMP DESCONTINUADO
32	488687	SCREW (S/P)

Distribuidor Autorizado

SurteRápido.com

Venta de Refacciones
Electrodomesticas

7ED0GTQXKQ02 REFRIGERATOR LINER

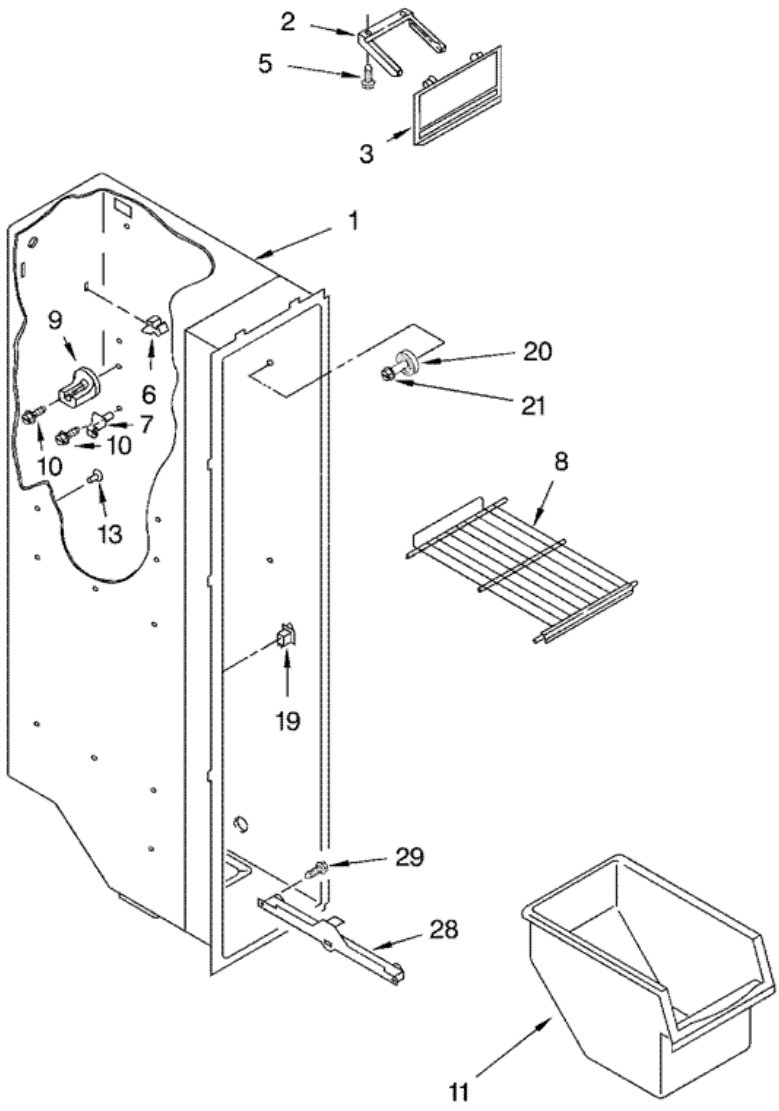




7ED0GTQXKQ02 REFRIGERATOR LINER

1	*****	LINER (NOT A SERVICEABLE PART)
2	2194744	ESCUTCHEON, MEAT PAN CONTROL (S/P)
3	2182757	SLIDE, MEAT PAN CONTROL (S/P)
4	2256126	RESERVOIR (S/P)
6	2206270	SHELF LADDER (2) (S/P)
7	487539	SCREW (6) (S/P)
9	2196485	STUD (S/P)
10	8201651	LOUVER (S/P)
11	489290	SCREW (2) (S/P)
12	2209704	EXTENSION DESCONTINUADO
13	2173178	SHELF, CANTILEVER DESCONTINUADO
14	2179259	GLASS, COVER (S/P)
15	W10275293	CRISPER COVER (S/P)
16	2179350	DEFLECTOR (S/P)
17	2174150	GLASS, COVER (S/P)
18	2311726	MEAT PAN COVER (S/P)
19	2188661	CRISPER PAN (S/P)
20	2188664	MEAT PAN (S/P)
22	2256085	BRACKET RETAINER (S/P)
23	489478	SCREW (S/P)
24	2209753	AIR DIFFUSER ASSEMBLY
25	2152019	AIR DIFFUSER COVER (S/P)
26	2150330	COVER, CONDUIT DESCONTINUADO
27	486298	SCREW (S/P)
28	2177978	GLASS, SHELF DESCONTINUADO
29	1125525	RETAINER (S/P)
30	842534	CLIP, AIR DUCT (S/P)
31	488280	SCREW (S/P)
34	3400894	SCREW (S/P)

7ED0GTQXKQ02 FREEZER LINER

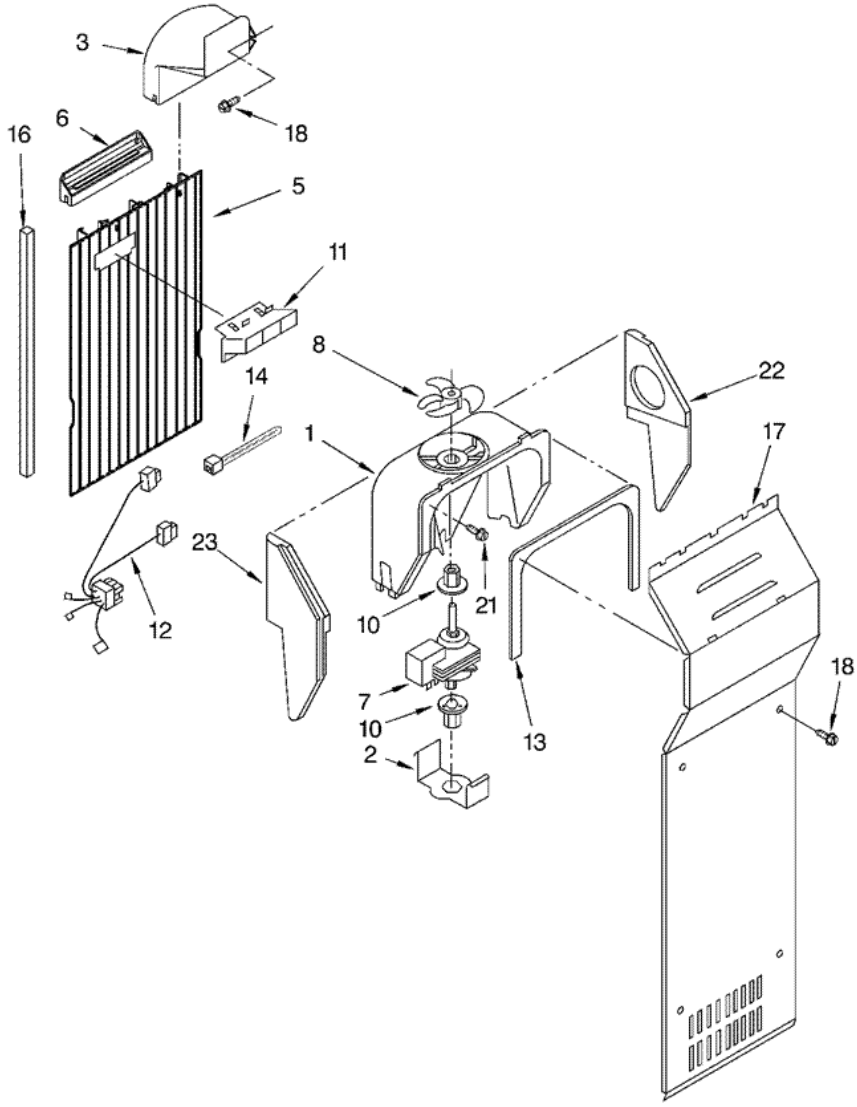




7ED0GTQXKQ02 FREEZER LINER

1	*****	LINER (NOT A SEVICEABLE PART)
2	1115380	SLIDE, ICE DOOR (S/P)
3	2171712	DOOR, ICE COMPARTMENT (S/P)
5	489478	SCREW (S/P)
6	842534	CLIP, AIR DUCT (2) (S/P)
7	939203	SUPPORT, STUD (4)
8	2174270	SHELF (2) DESCONTINUADO
8	2174269	SHELF (1) DESCONTINUADO
9	2196207	STUD, REAR (S/P)
10	3400893	SCREW (S/P)
11	2171707	FREEZER BIN (S/P)
13	2176134	GROMMET (4) (S/P)
19	4387911	SWITCH, ROCKER ARM (S/P)
20	2196483	STUD (S/P)
21	8281158	SCREW (S/P)
28	1115383	SLIDE, ICE CONTAINER (LEFT SIDE) (S/P)
28	1119293	SLIDE, ICE CONTAINER (RIGHT SIDE)
29	489100	SCREW (S/P)

ZED0GTQXKQ02 AIR FLOW





7ED0GTQXKQ02 AIR FLOW

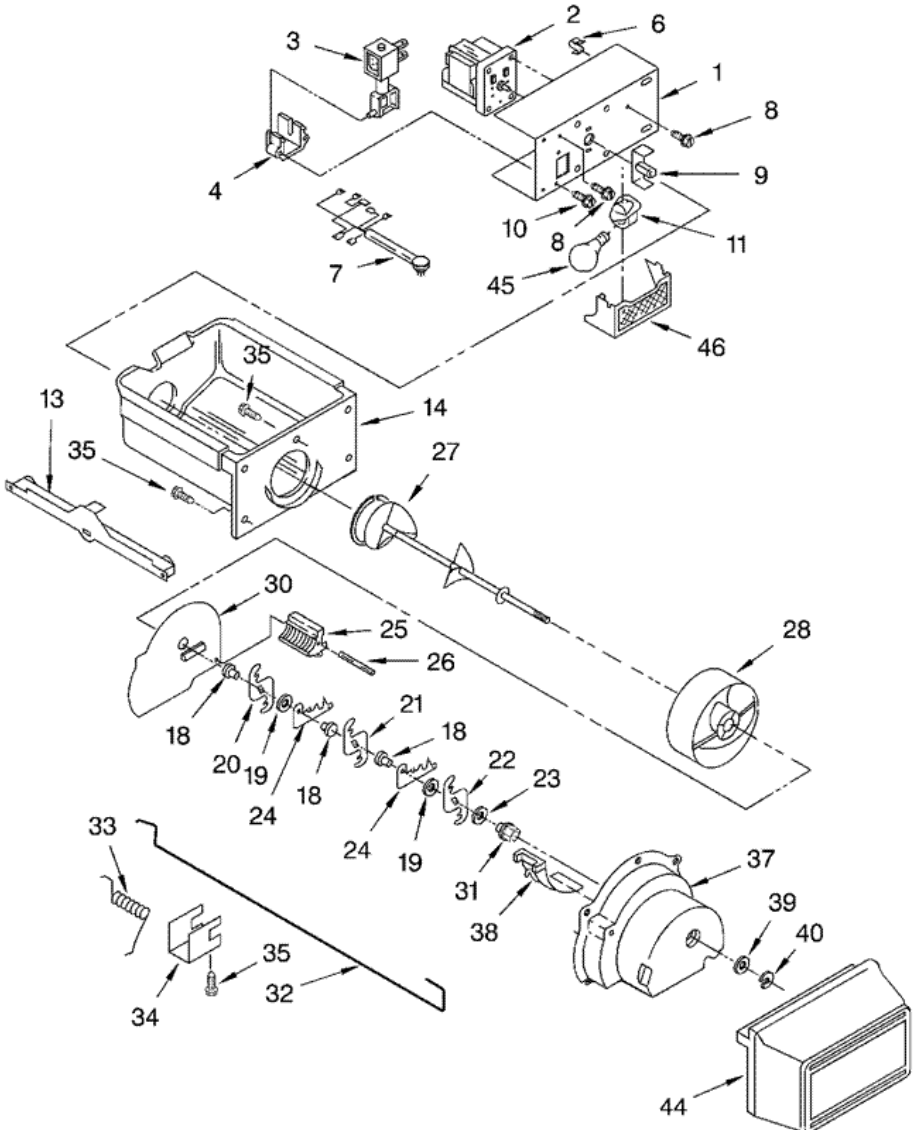
1	2182119	FAN SCROLL (INCLUDES 13) (S/P)
2	2155590	RETAINER, FAN MOTOR (S/P)
3	2161231	AIR SCOOP (S/P)
5	4388357	AIR DUCT FREEZER (S/P)
6	2149544	DIFFUSER AIR DUCT (S/P)
7	4389144	FAN MOTOR
8	2169142	FAN BLADE (S/P)
10	2176759	GROMMET, FAN (2) (S/P)
11	2182146	DUCT, ICEMAKER (S/P)
12	W10129821	HARNESS, FAN, EVAPORATOR, AND HEATER (S/P)
13	2155789	GASKET, FAN SCROLL (S/P)
14	W10339879	STRAP (S/P)
16	4388500	GASKET (S/P)
17	4388357	COVER, EVAPORATOR (S/P)
18	489355	SCREW (S/P)
21	489478	SCREW (S/P)
22	4388358	SUPPORT, R.S. (S/P)
23	4388358	SUPPORT, L.S. (S/P)

Distribuidor Autorizado

SurteRápido.com

Venta de Refacciones
Electrodomesticas

7ED0GTQXKQ02 MOTOR AND ICE CONTAINER



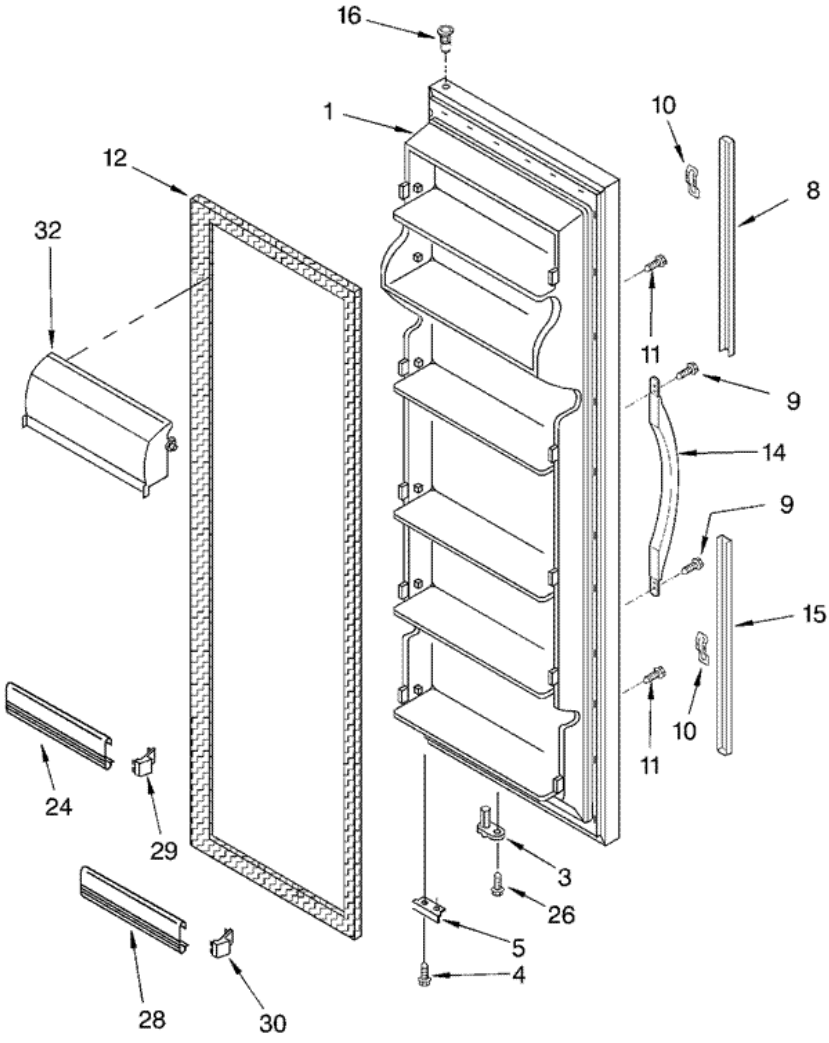


7ED0GTQXKQ02 MOTOR AND ICE CONTAINER

1	2254588	BRACKET, MOTOR (S/P)
2	2188242	MOTOR, DISPENSER (S/P)
3	2152713	SOLENIOD ASSEMBLY (S/P)
4	2149100	GUIDE, SOLENOID (S/P)
6	1115374	CLIP, WIRING (S/P)
7	2206501	WIRING ASSEMBLY, ICE DISPENSER (S/P)
8	489399	SCREW (S/P)
9	W10169511	COUPLING, MOTOR (S/P)
10	489478	SCREW (S/P)
11	4387478	SOCKET, LIGHT
13	1119237	SLIDE, CONTAINER (LEFT SIDE) (S/P)
13	1119293	SLIDE, CONTAINER (RIGHT SIDE)
14	2196090	ICE CONTAINER
18	1119005	SPACER, STEP (3)
19	1119007	SPACER, FLAT (2)
20	2257022	BLADE, ROTARY
21	2257023	BLADE, ROTARY
22	2257024	BLADE, ROTARY
23	489235	WASHER, PLAIN
24	1119009	BLADE, FIXED (2) (S/P)
25	2157405	BLOCK, BLADE (S/P)
26	489229	ROLL PIN
27	2196296	AUGER
28	4388496	DRUM
30	2171682	FLOATING BAFFLE (S/P)
31	1119018	NUT, BEARING (S/P)
32	2169938	CONTROL ARM DESCONTINUADO
33	1119020	SPRING, RETURN (S/P)
34	1119021	RETAINER CLIP, ROD (S/P)
35	488886	SCREW (S/P)
37	W10185018	HOUSING, CRUSHER (S/P)
38	1119017	DEFLECTOR, ICE (S/P)
39	489234	WASHER, PLAIN (S/P)

40	489236	RETAINER RING (S/P)
44	2171709	FRONT COVER, ICE CONTAINER (S/P)
45	527949	LIGHT BULB (S/P)
46	2171706	LIGHT LENS, DISPENSER (S/P)

**7ED0GTQXKQ02 REFRIGERATOR
DOOR**





7ED0GTQXKQ02 REFRIGERATOR DOOR

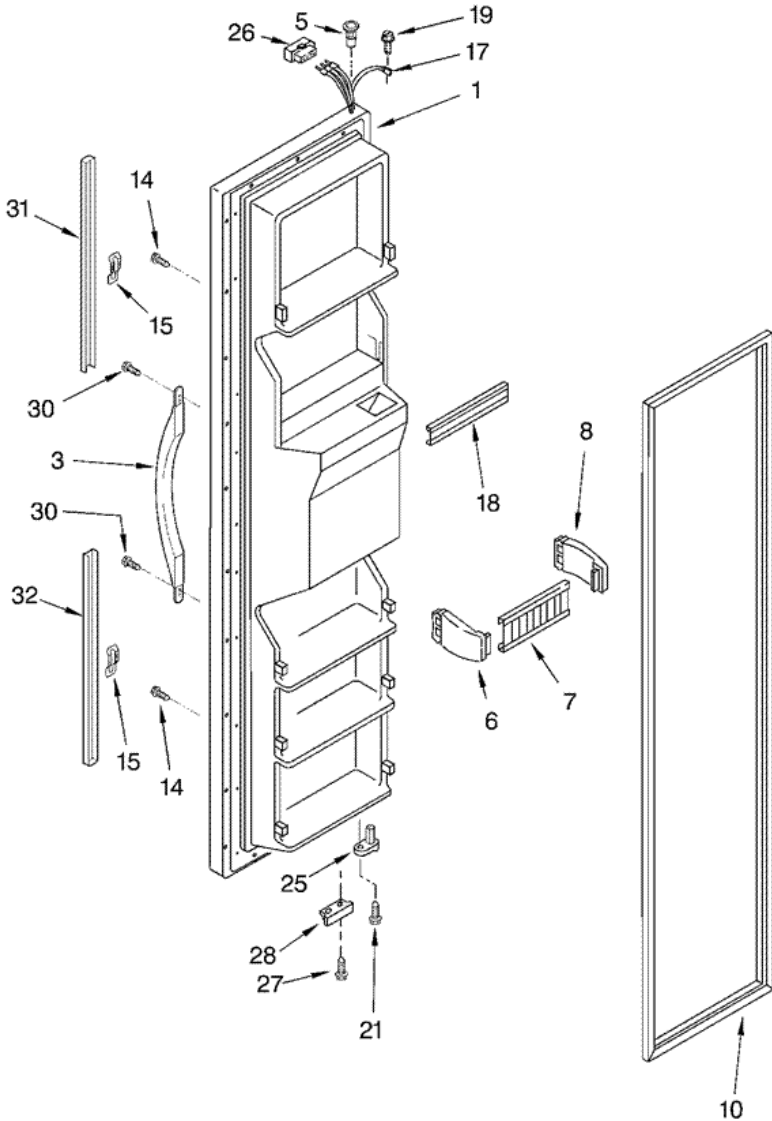
1	L2206727W	REFRIGERATOR DOOR (WHITE) (S/P)
3	2182179	DOOR CLOSER, UPPER CAM (S/P)
4	489420	SCREW (S/P)
5	2206629	BRACKET, DOOR STOP (S/P)
8	2194971W	EXTENSION, HANDLE TOP (WHITE) (S/P)
9	489491	SCREW (S/P)
10	2195327	CLIP (S/P)
11	3400852	SCREW (S/P)
12	2159073	DOOR GASKET, MAGNETIC (MIST BEIGE) (S/P)
14	2186649W	HANDLE, CENTER (WHITE) (S/P)
15	2194969W	EXTENSION, HANDLE BOTTOM (WHITE) (S/P)
16	2182181	THIMBLE-TOP (S/P)
24	2195934	TRIM, DOOR SHELF (S/P)
26	3400012	SCREW (S/P)
28	2256010	TRIM, DOOR SHELF (4) (S/P)
29	2195915	END CAP (2) (S/P)
30	2195916K	END CAP (8) (S/P)
32	2256101	COMPARTMENT DOOR (S/P)

Distribuidor Autorizado

SurteRápido.com

Venta de Refacciones
Electrodomesticas

7ED0GTQXKQ02 FREEZER DOOR





7ED0GTQXKQ02 FREEZER DOOR

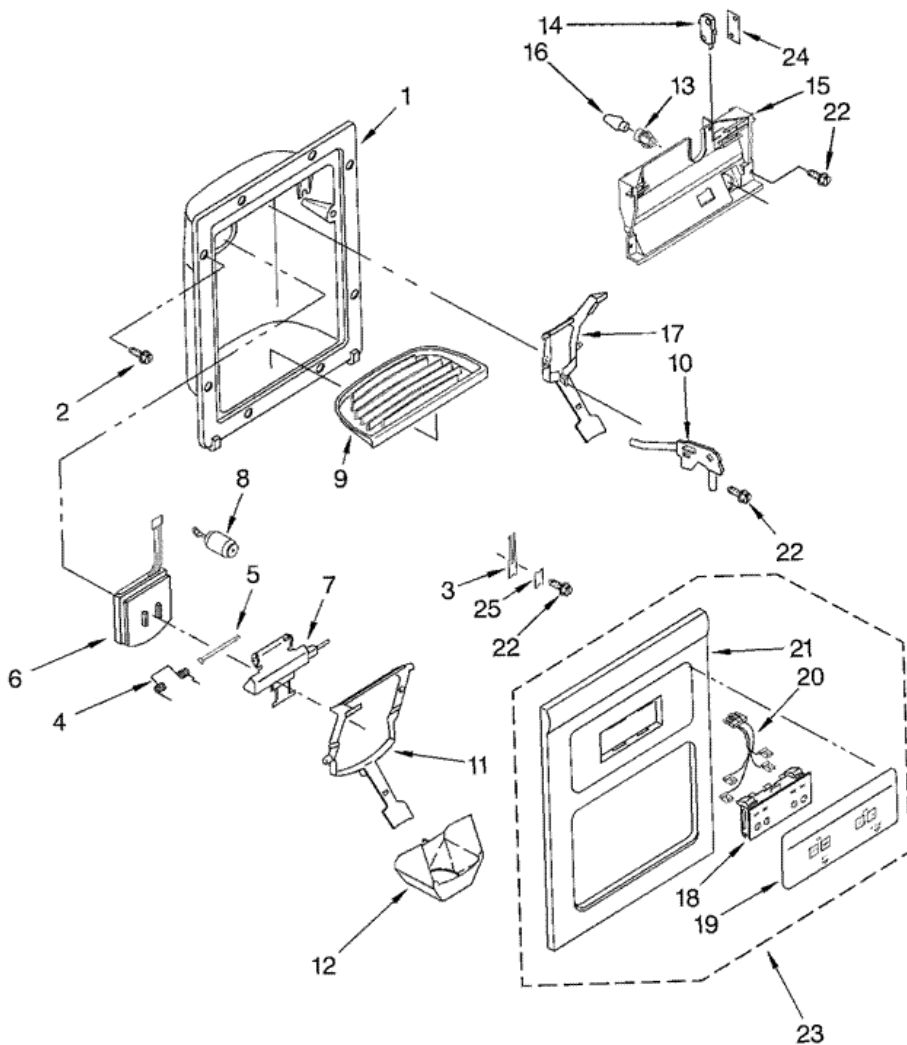
1	2216369W	FREEZER, DOOR (WHITE) DESCONTINUADO
3	2186649W	HANDLE (WHITE) (S/P)
5	2182181	THIMBLE-TOP (S/P)
6	2195916K	ENDCAP (S/P)
7	2195919K	TRIM, DOOR SHELF (S/P)
8	2195917K	ENDCAP (S/P)
10	2159072	DOOR, GASKET MAGNETIC (MIST BEIGE) (S/P)
14	3400852	SCREW (S/P)
15	2195327	CLIP (S/P)
17	2311642	HARNESS, DOOR (S/P)
18	W10307490	TRIM, DOOR SHELF (S/P)
19	8281149	SCREW (S/P)
21	3400012	SCREW (S/P)
25	2182179	DOOR CLOSER, UPPER CAM (S/P)
26	2154473	CONNECTOR (S/P)
27	489420	SCREW (S/P)
28	2206629	BRACKET, DOOR STOP (S/P)
30	489491	SCREW (S/P)
31	2194971W	EXTENSION, HANDLE TOP (WHITE) (S/P)
32	2194969W	EXTENSION, HANDLE BOTTOM (WHITE) (S/P)

Distribuidor Autorizado

SurteRápido.com

Venta de Refacciones
Electrodomesticas

7ED0GTQXKQ02 DISPENSER





7ED0GTQXKQ02 DISPENSER

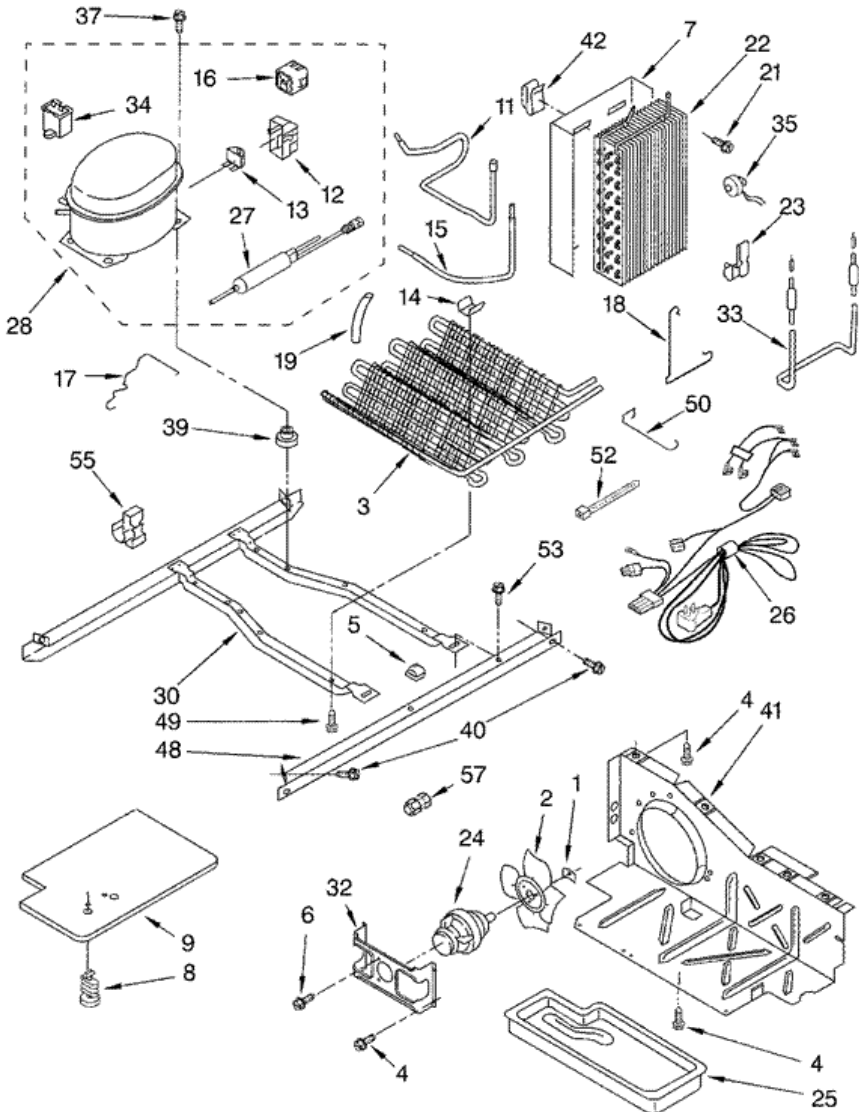
1	*****	HOUSING, DISPENSER (NOT SERVICED)
2	3196537	SCREW (S/P)
3	2194719	RETAINER, LEVERS
4	W10224328	SPRING, TORSION (S/P)
5	2196195	PIN (S/P)
6	2180353	DOOR, ICE
7	8201649	DOOR MECHANISM ASSEMBLY
8	8201649	MECHANISM DELAY
9	2206671W	GRILLE, OVERFLOW (WHITE) (S/P)
10	8201537	WATER FITTING ASSEMBLY (S/P)
11	2180261	LEVER, ICE DISPENSER (WHITE)
12	2180224	GUIDE, ICE
13	2180200	LAMP HOLDER (S/P)
14	2162361	SWITCH (2) (S/P)
15	2180226	BRACKET, CONTROL
16	22002263	BULB, LIGHT (S/P)
17	2180268	LEVER, WATER DISPENSER (WHITE) (S/P)
18	*****	SWITCH ASSEMBLY (NOT AVAILABLE ORDER 23)
19	*****	PLAQUE, FRONT COVER (NOT AVAILABLE ORDER 23)
20	2187408	WIRE ASSEMBLY (S/P)
21	*****	FRONT COVER, HOUSING (ORDER 23)
22	489000	SCREW (S/P)
23	2219893W	FRONT COVER ASS.(INCLUDES 18,19,20 & 21) (S/P)
24	625834	SPACER, SWITCH (2) (S/P)
25	2195051	STRAIN RELIEF (S/P)

Distribuidor Autorizado

SurteRápido.com

Venta de Refacciones
Electrodomesticas

7ED0GTQXKQ02 UNIT





7ED0GTQXKQ02 UNIT

1	486692	SPEED NUT (S/P)
2	2190685	FAN, BLADE (S/P)
3	8201683	CONDENSER ASSEMBLY (S/P)
4	489464	SCREW (S/P)
5	2200079	CLIP, TUBE (2) (S/P)
6	489099	SCREW (S/P)
7	2256149	HEAT SHIELD AND DRAIN PAN (S/P)
8	489396	CLIP (S/P)
9	2182057	COVER, UNIT COMPARTMENT (S/P)
11	2205764	TUBE SUCTION (S/P)
12	2162358	COVER (SERVICE COMPRESSOR ONLY) (S/P)
13	4387535	OVERLOAD (S/P)
14	2216914	CLIP, CONDENSER (S/P)
15	2255798	TUBE, CONDENSER TO HEAT LOOP (S/P)
16	8201786	START-DEVICE, COMBINATION (S/P)
17	2223313	CLIP, RETAINING (S/P)
18	2161324	CLIP, DEFROST HEATER (S/P)
19	2162499	SLEEVE (S/P)
21	487869	SCREW (S/P)
22	2188822	EVAPORATOR (S/P)
23	2161330	CLIP, HEATER (2) DESCONTINUADO
24	4387244	FAN, MOTOR (S/P)
25	842041	TRAY, EVAPORATOR (S/P)
26	8201633	HARNESS, UNIT (S/P)
27	4387019	DRIER (S/P)
28	W10309990	COMPRESSOR (S/P)
30	1127943	UNIT MOUNTING FRAME (S/P)
32	2181929	FAN, MOTOR BRACKET (S/P)
33	2188174	HEATER, DEFROST (S/P)
34	4387764	CAPACITOR (SERVICE COMPRESSOR ONLY) (S/P)
35	2319914	BI-METAL, DEFROST
37	876811	SCREW (S/P)
39	4387558	GROMMET (4) (SCREW) (S/P)

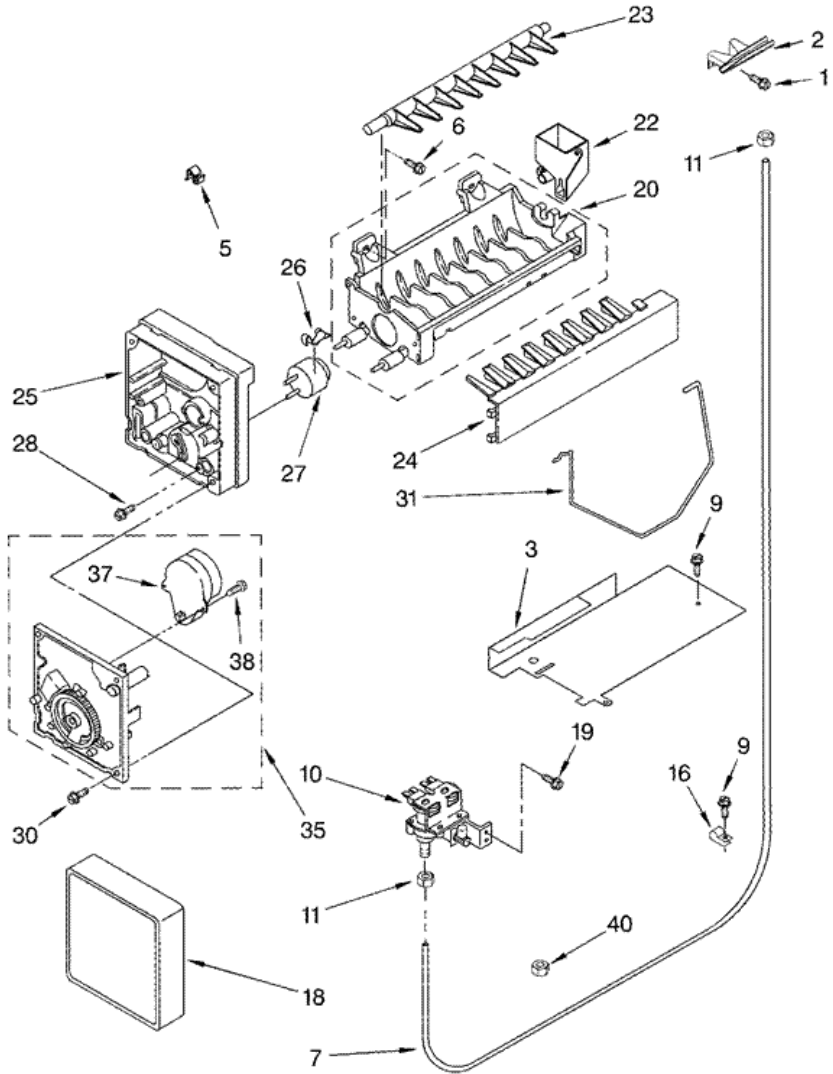
39	4388295	GROMMET (4) (PRODUCTION) (S/P)
40	489340	SCREW (S/P)
41	2196201	AIR BAFFLE (S/P)
42	2155547	CLIP, HEAT SHIELD DESCONTINUADO
48	2149718	UNIT MOUNTING RAIL (S/P)
49	8281232	SCREW (S/P)
50	1105612	GUARD, FAN (S/P)
52	W10339879	STRAP (S/P)
53	489427	SCREW (S/P)
55	2208280	CLIP, WIRE (S/P)
57	4373559	CONNECTOR AND WATER TUBE (S/P)

Distribuidor Autorizado

SurteRápido.com

Venta de Refacciones
Electrodomesticas

7ED0GTQXKQ02 ICE MAKER





7ED0GTQXKQ02 ICE MAKER

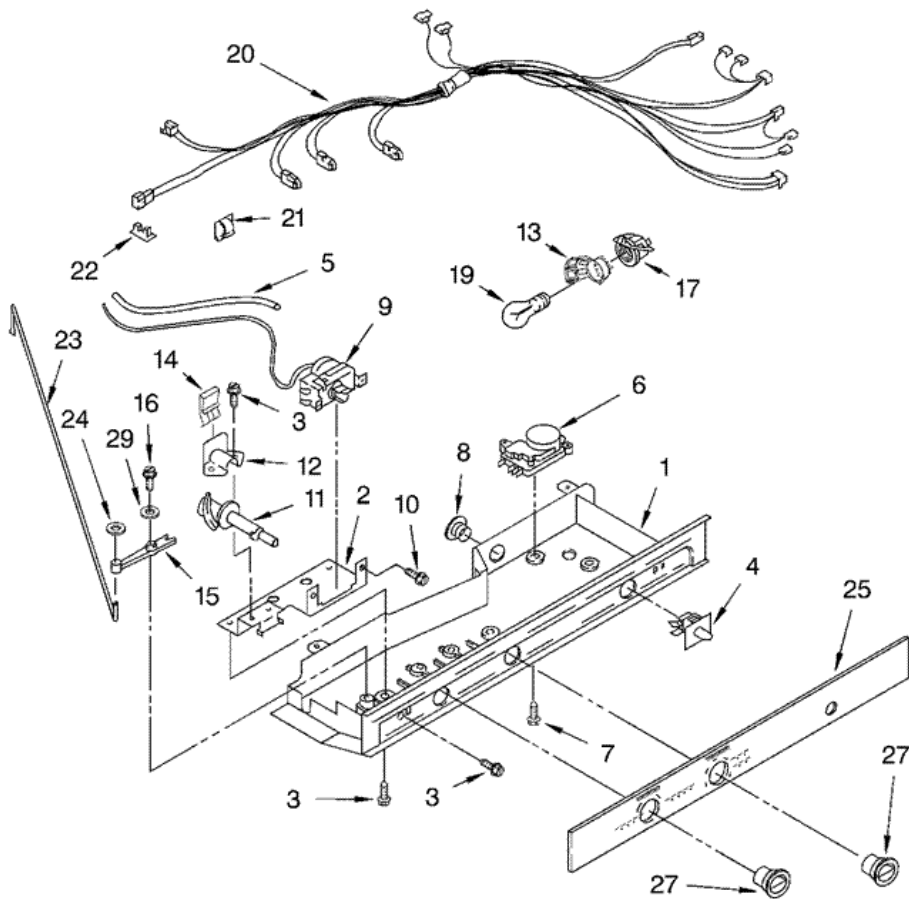
1	489084	SCREW (S/P)
2	2209774	CHUTE, WATER (S/P)
3	2256178	SHIELD, HEAT (S/P)
5	628379	CLIP, FUSE (S/P)
6	488208	SCREW (S/P)
7	4387492	TUBE, WATER (S/P)
9	489478	SCREW (S/P)
10	2188542	VALVE, SOLENOID (S/P)
11	627018	NUT, COMPRESSION (S/P)
16	488366	CLAMP, TUBE (S/P)
18	W10289690	COVER (S/P)
19	488649	SCREW (S/P)
20	W10190929	MOLD & HEATER ASSEMBLY (S/P)
22	628356	CUP-WATER FILL
23	627843	EJECTOR (S/P)
24	2182124	ICE STRIPER (S/P)
25	2195914	SUPPORT (S/P)
26	2315522	RETAINER, THERMOSTAT (S/P)
27	627985	THERMOSTAT
28	489322	SCREW (S/P)
30	489276	SCREW (S/P)
31	2304354	SHUT OFF ARM (S/P)
35	8201515	MODULE ASSEMBLY (S/P)
37	W10190935	MOTOR (S/P)
38	489136	SCREW (S/P)
40	4318011	NUT, COMPRESSION (S/P)
100	4317943	COMPLETE ICEMAKER ASSEMBLY

Distribuidor Autorizado

SurteRápido.com

Venta de Refacciones
Electrodomesticas

7ED0GTQXKQ02 CONTROL





7ED0GTQXKQ02 CONTROL

1	2200137	CONTROL BOX (S/P)
2	1110629	MOUNTING BRACKET (S/P)
3	3196537	SCREW (4) (S/P)
4	1116849	LIGHT SWITCH (S/P)
5	2196003	TUBE BARRIER, THERMOSTAT (S/P)
6	482493	DEFROST TIMER
7	489398	SCREW (2) (S/P)
8	940014	HOLE PLUG (S/P)
9	2198202	THERMOSTAT ASSEMBLY
10	487869	SCREW (S/P)
11	2182195	CAM ASSEMBLY (S/P)
12	1110560	BEARING BODY (S/P)
13	2175210	SHROUD, LIGHT (S/P)
14	2196062	CLIP, DAMPER CONTROL (S/P)
15	1110559	PIVOT ARM (S/P)
16	627068	SCREW (S/P)
17	4387478	LIGHT SOCKET
19	527949	LIGHT BULB (S/P)
20	2206513	CONTROL BOX HARNESS (S/P)
21	1115374	CLIP, WIRING (S/P)
22	1115375	CLIP, WIRING (S/P)
23	1123959	CONNECTING ROD DESCONTINUADO
24	489285	FASTENER, PUSH-ON (S/P)
25	2212074	ESCUTCHEON, CONTROL BOX DESCONTINUADO
27	2197871	KNOB, AIR CONTROL (S/P)
29	489203	SPRING WASHER (S/P)