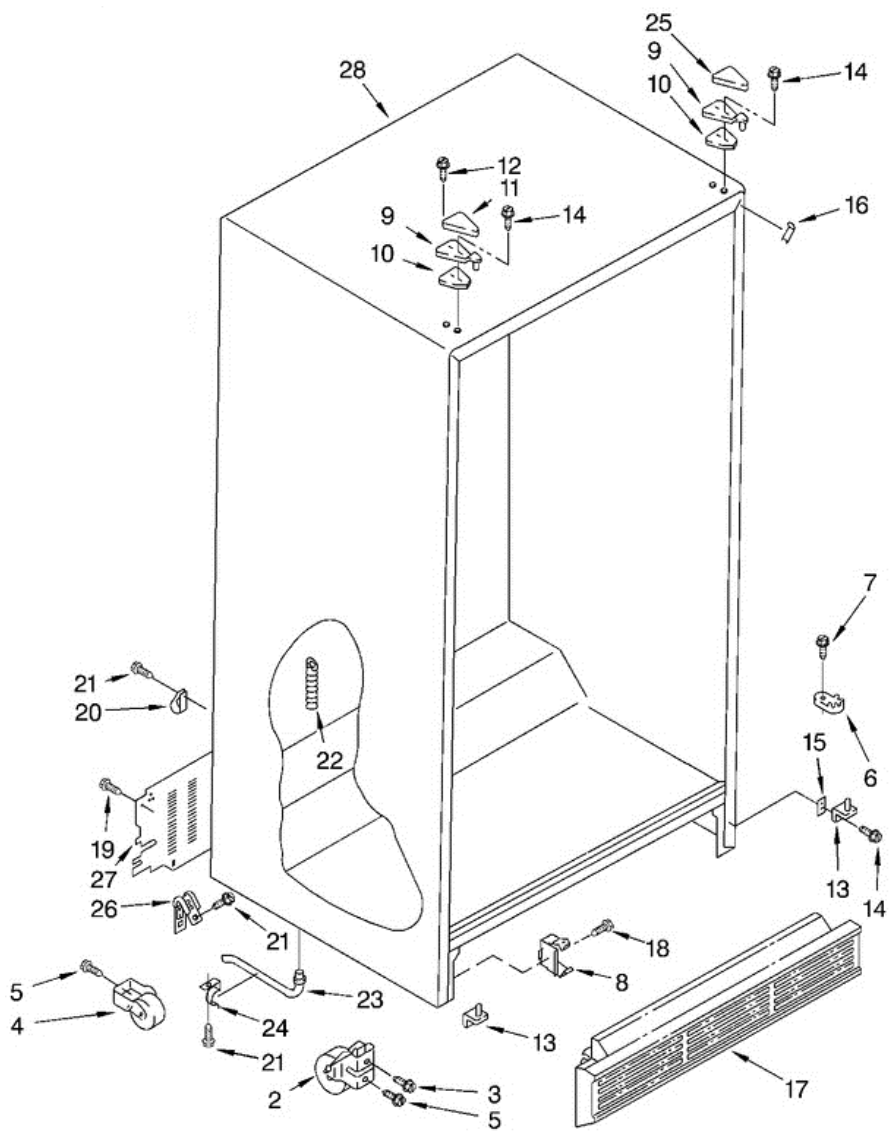


**7ED20TQXFW04 CABINET**

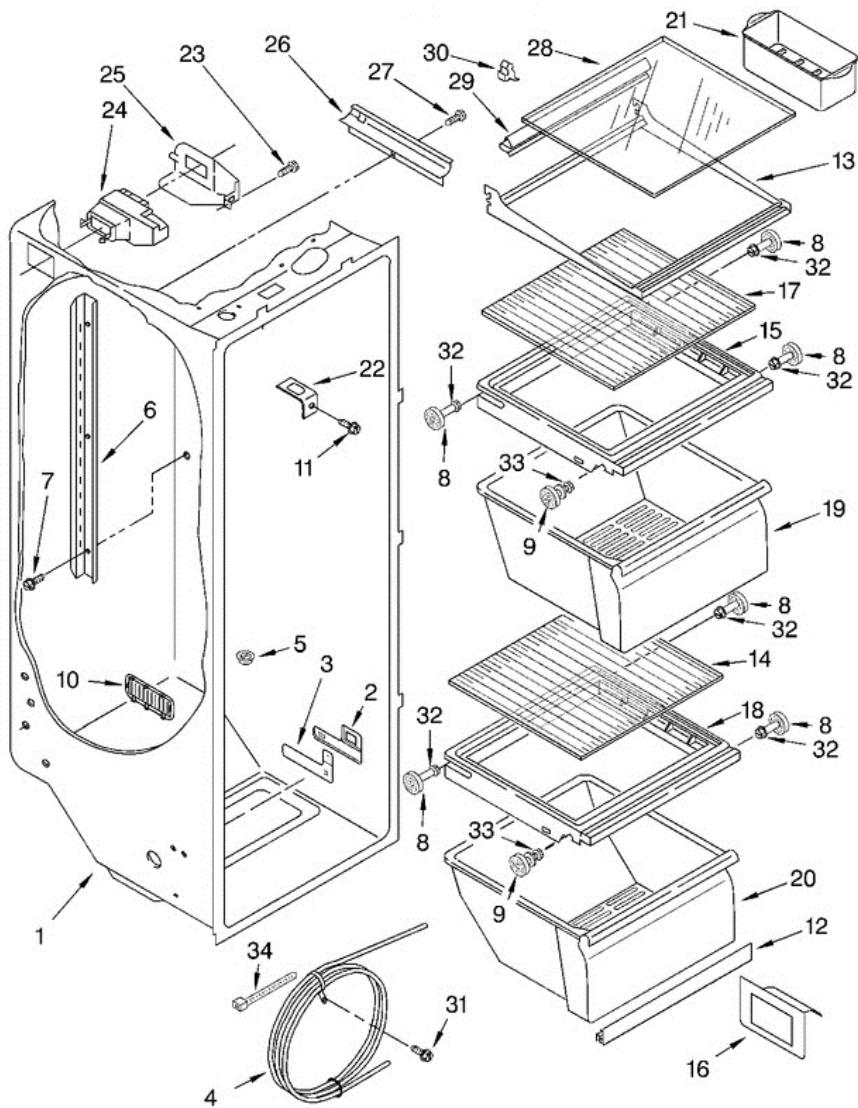




## 7ED20TQXFW04 CABINET

2	2174748	FRONT ROLLER (2)
3	3400517	SCREW
4	2196236	ROLLER (REAR) (2)
5	489427	SCREW
6	2155311	DOOR CLOSER, LOWER CAM (2)
7	489483	SCREW
8	2155013	CLIP, GRILLE
9	2196046	HINGE, TOP (2)
10	2196048	SHIM, HINGE (2)
11	1129262	HINGE COVER (WHITE)
12	489284	SCREW
13	2171851	HINGE BOTTOM (2)
14	489497	SCREW
15	2156056	SPACER, HINGE
16	2196094	FILLER, WRAPPER (WHITE)
17	2198469W	GRILLE (WHITE)
18	489478	SCREW
19	489084	SCREW
20	489385	CLAMP
21	489464	SCREW
22	940139	FITTING, DRAIN
23	1108438	TUBE, EXTENSION
24	1108439	CLIP, DRAIN TUBE
25	1119787	HINGE COVER (2) (WHITE)
26	549193	CLAMP, SERVICE CORD
27	2171938	COVER, UNIT

**7ED20TQXFW04 REFRIGERATOR  
 LINER**

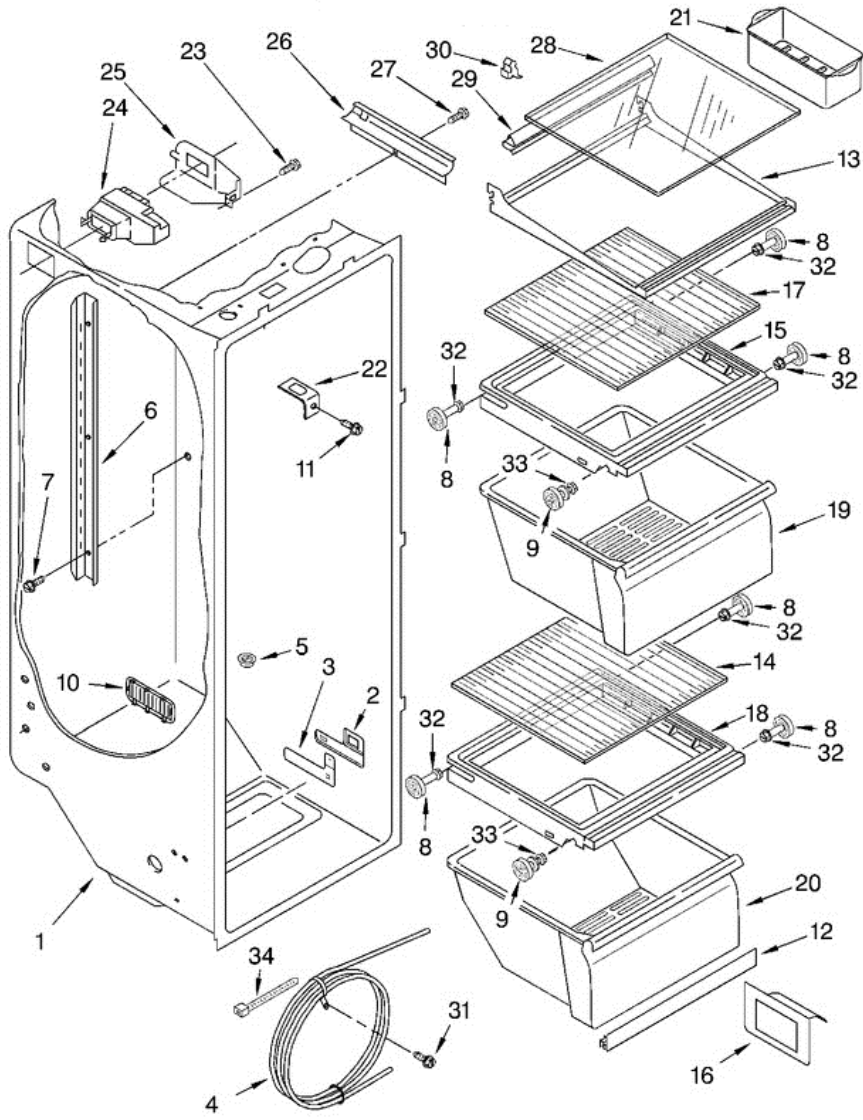




## 7ED20TQXFW04 REFRIGERATOR LINER

1	N/A	LINER (NOT A SERVICEABLE PART)
2	2194744	ESCUTCHEON, MEAT PAN CONTROL
3	2182757	SLIDE MEAT PAN CONTROL
4	2209687	RESERVOIR
5	2171846	RELEASE VALVE
6	2181796	SHELF LADDER (2)
7	487539	SCREW (6)
8	2196483	STUD
9	2196485	STUD
10	2182147	LOUVER
11	489290	SCREW (2)
12	2179561	EXTENSION
13	2173178	SHELF, CANTILEVER
14	2179259	GLASS, COVER
15	2194578	COVER, CRISPER
16	2179350	DEFLECTOR
17	2174150	GLASS, COVER
18	2189601	COVER, MEAT PAN
19	2196481	PAN, CRISPER
20	2196162	MEAT PAN
21	2164333	EGG BIN
22	1123919	BRACKET, RETAINER
23	489478	SCREW
24	2209753	AIR DIFFUSER ASSEMBLY
25	2152019	COVER, AIR DIFFUSER
26	2150330	COVER, CONDUIT
27	486298	SCREW
28	2177978	GLASS, SHELF
29	1125594	RETAINER
30	842534	CLIP, AIR DUCT
31	488280	SCREW
32	8281158	SCREW
34	2205813	STRAP

**7ED20TQXFW04 FREEZER LINER**

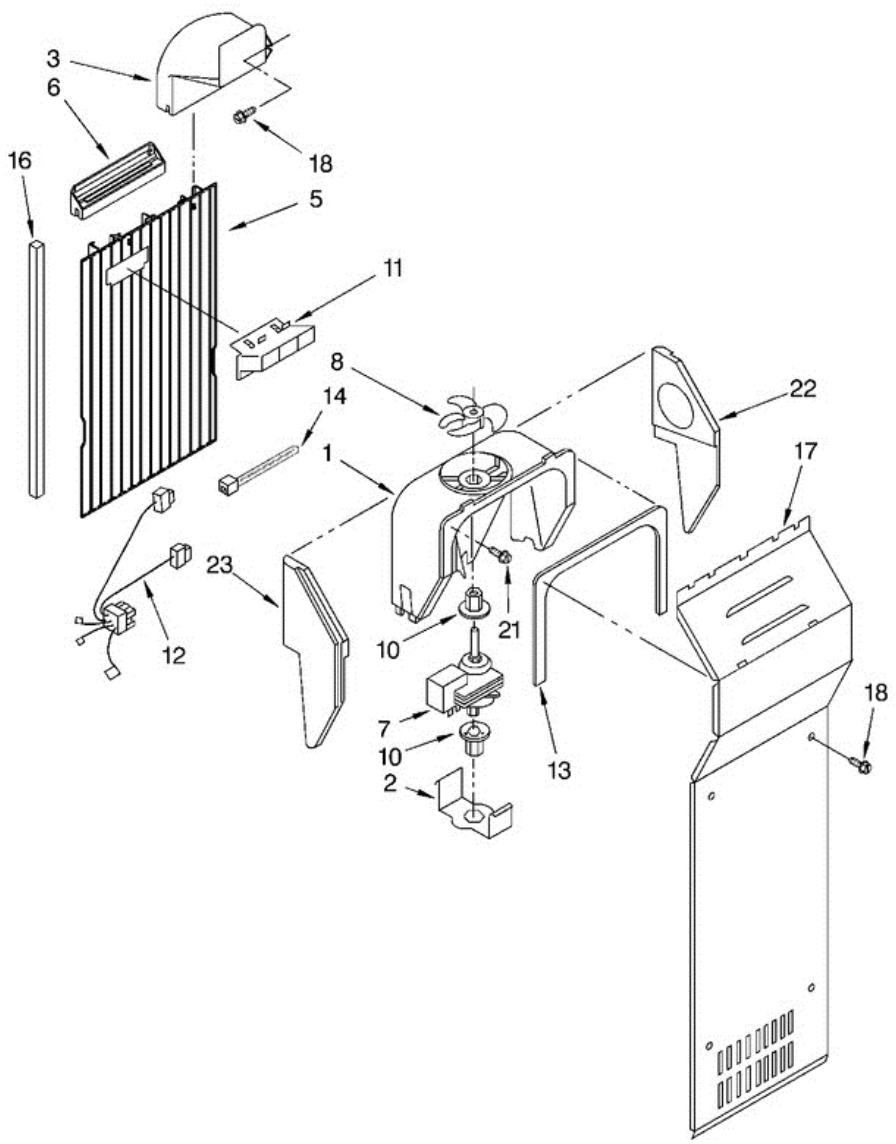




**7ED20TQXFW04 FREEZER LINER**

1	N/A	LINER (NOT A SERVICEABLE PART)
2	1115380	SLIDE, ICE DOOR
3	2171712	DOOR, ICE COMPARTMENT
4	2209674	BRACKET, FILL TUBE
5	489478	SCREW
6	842534	CLIP, AIR DUCT (2)
7	2196206	SUPPORT, STUD (4)
8	2174269	SHELF (1)
8	2174270	SHELF (2)
9	2196207	STUD, REAR
10	3400893	SCREW
11	2171707	BIN, FREEZER
13	2176134	GROMMET (4)
14	2155572	COVER, WIRING
15	489355	SCREW
19	1115373	SWITCH, ROCKER ARM
20	2196483	STUD
21	8281158	SCREW
28	1115383	SLIDE, ICE CONTAINER (LEFT SIDE)
28	1119293	SLIDE, ICE CONTAINER (RIGHT SIDE)
29	489100	SCREW

**7ED20TQXFW04 AIR FLOW**



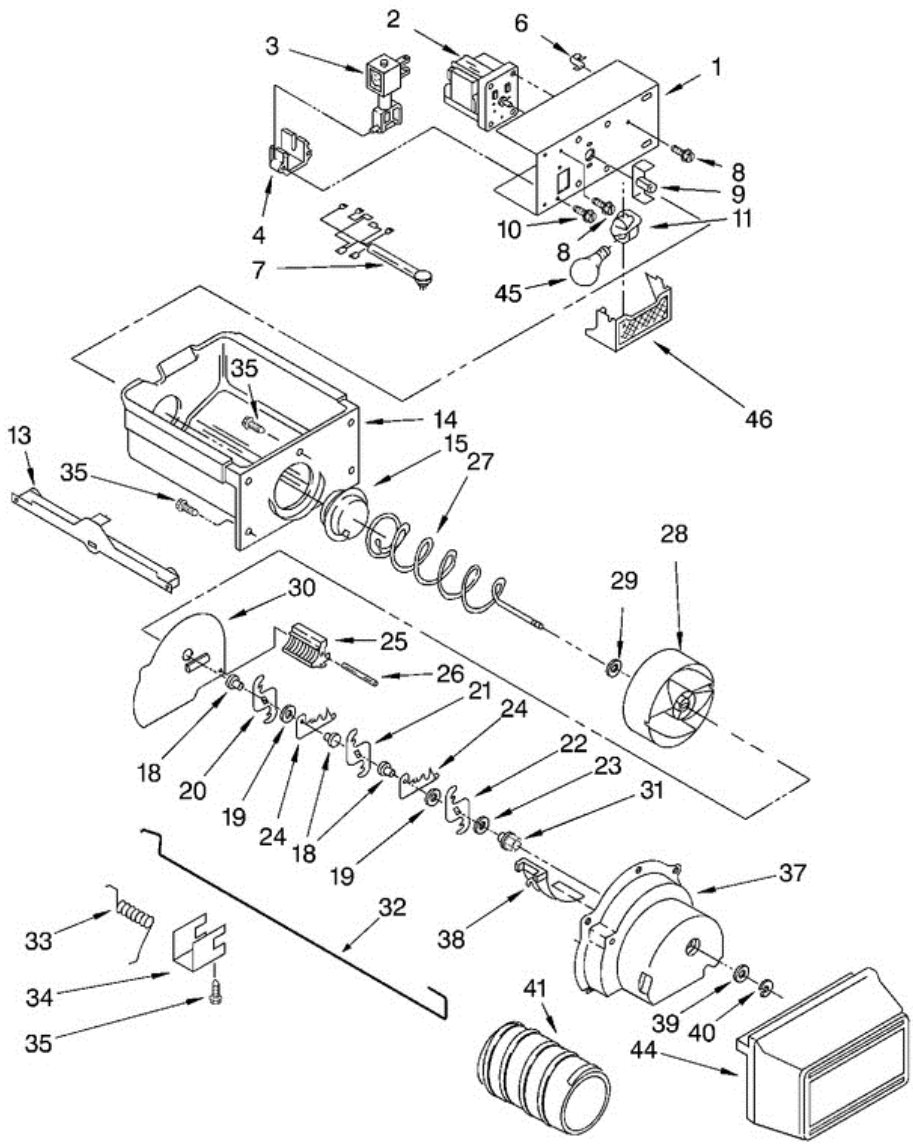


## 7ED20TQXFW04 AIR FLOW

1	2182119	FAN SCROLL (INCLUDES NO.13)
2	2155590	RETAINER, FAN MOTOR
3	2161231	AIR SCOOP
5	2203591	AIR DUCT FREEZER
6	2149544	DIFFUSER, AIR DUCT
7	2188303	FAN MOTOR
8	2169142	BLADE, FAN
10	2176759	GROMMET, FAN (2)
11	2182146	DUCT, ICEMAKER
12	2206504	HARNESS, FAN, EVAPORATOR, AND HEATER
13	2155788	GASKET, FAN SCROLL
14	2172840	STRAP
16	2203875	GASKET
17	2203840	COVER, EVAPORATOR
18	489355	SCREW
21	489478	SCREW
22	2203595	SUPPORT, R.S
23	2203596	SUPPORT, L.S



**7ED20TQXFW04 MOTOR AND ICE CONTAINER**



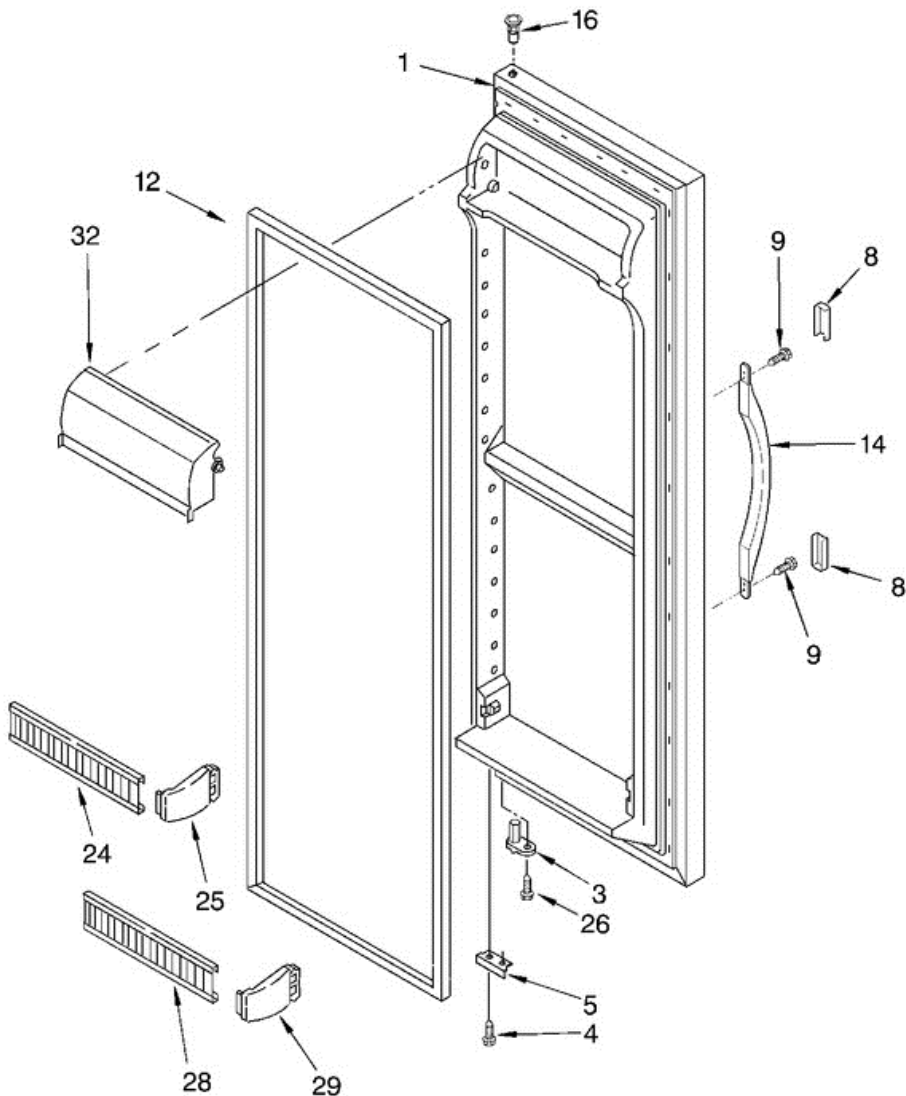


## 7ED20TQXFW04 MOTOR AND ICE CONTAINER

1	2183728	BRACKET, MOTOR
2	2188385	MOTOR, DISPENSER
3	2152713	SOLENOID ASSEMBLY
4	2149100	GUIDE, SOLENOID
6	1115374	CLIP, WIRING
7	2206501	WIRING ASSEMBLY, ICE DISPENSER
8	489399	SCREW
9	2205716	COUPLING, MOTOR
10	489478	SCREW
11	2162085	SOCKET, LIGHT
13	1119237	SLIDE, CONTAINER (LEFT SIDE)
13	1119293	SLIDE, CONTAINER (RIGHT SIDE)
14	2196090	ICE CONTAINER
15	983668	COUPLING, CONVEYOR
18	1119005	SPACER, STEP (3)
19	1119007	SPACER, FLAT (2)
20	1119006	BLADE, ROTARY
21	1119012	BLADE, ROTARY
22	1119013	BLADE, ROTARY
23	489235	WASHER, PLAIN
24	1119009	BLADE, FIXED (2)
25	2157405	BLOCK BLADE
26	489229	ROLL PIN
27	2181957	CONVEYOR
28	2196194	DRUM
29	3400912	WASHER
30	2171682	FLOATING BAFFLE
31	1119018	NUT, BEARING
32	2169938	CONTROL ARM
33	1119020	SPRING, RETURN
34	1119021	RETAINER CLIP, ROD
35	488886	SCREW
37	2180348	HOUSING, CRUSHER

38	1119017	DEFLECTOR, ICE
39	489234	WASHER, PLAIN
40	489236	RETAINER RING
41	2152021	SLEEVE
44	2171709	FRONT COVER, ICE CONTAINER
45	527949	LIGHT BULB
46	2171706	LIGHT LENS, DISPENSER

**7ED20TQXFW04 REFRIGERATOR  
 DOOR**

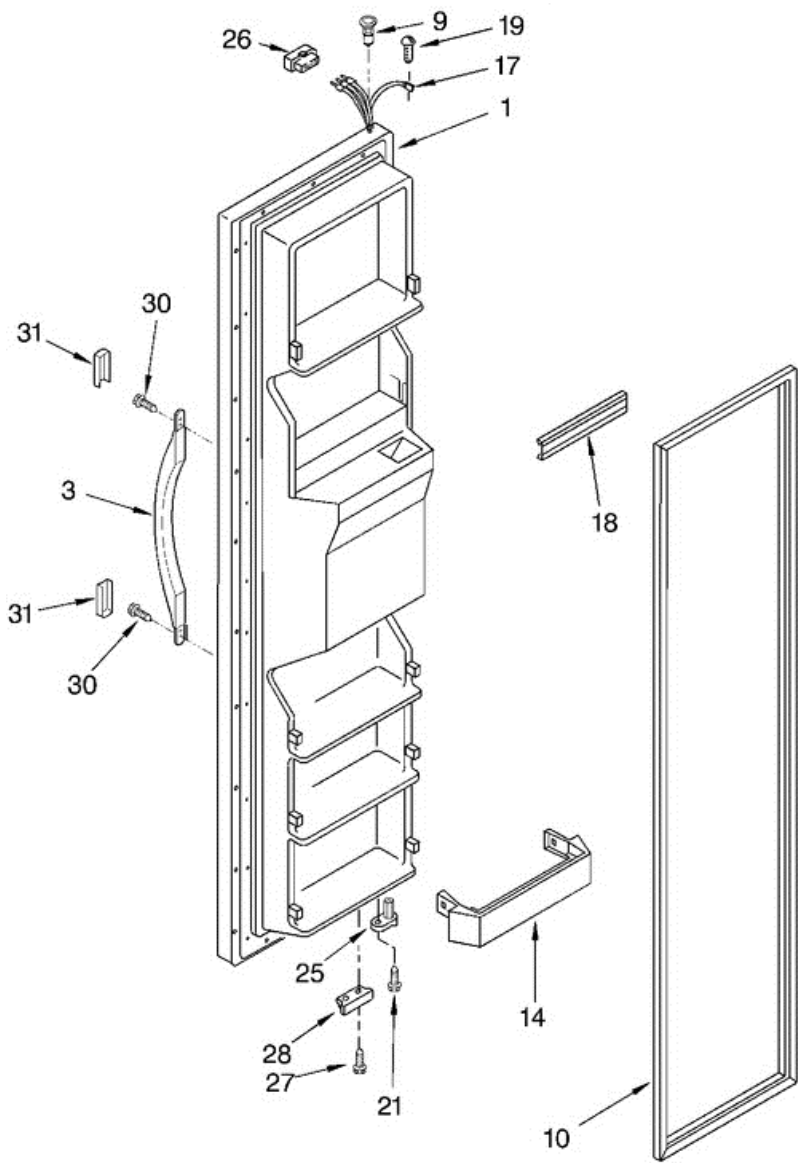




## 7ED20TQXFW04 REFRIGERATOR DOOR

1	2198498W	REFRIGERATOR DOOR (WHITE)
3	2182178	DOOR CLOSER, UPPER CAM
4	489420	SCREW
5	2195950	BRACKET, DOOR STOP
8	2193353W	ENDCAP, HANDLE (2) (WHITE)
9	489491	SCREW
12	2159073	DOOR GASKET, MAGNETIC (SERVICE)
14	2186649W	HANDLE, CENTER (WHITE)
16	2182180	THIMBLE, TOP
24	2198486	TRIM, DOOR SHELF
25	2195915	ENDCAP-TRIM (2)
26	3400012	SCREW
28	2198488	TRIM, DOOR SHELF (4)
29	2195916	ENDCAP (8)
32	2177105	COMPARTMENT DOOR

**7ED20TQXFW04 FREEZER DOOR**

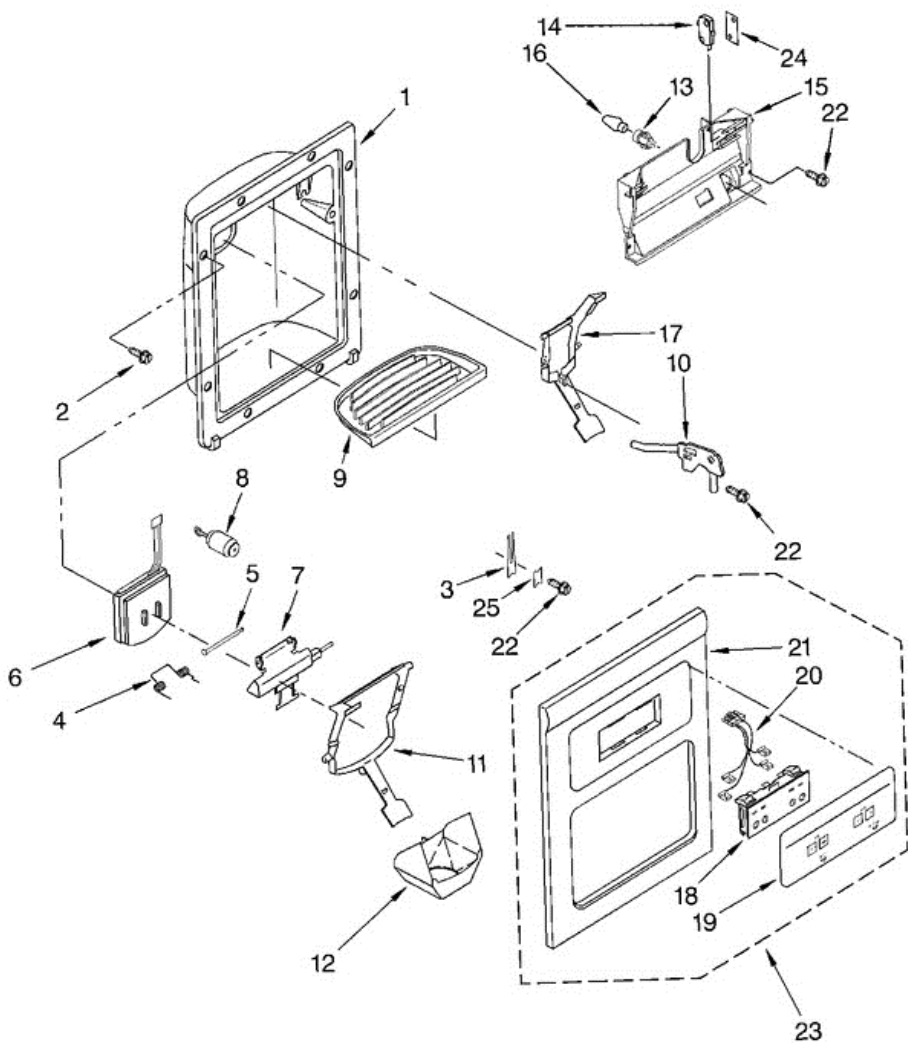




## 7ED20TQXFW04 FREEZER DOOR

1	2186409W	FREEZER, DOOR (WHITE)
3	2186649W	HANDLE (WHITE)
9	2182181	THIMBLE-TOP
10	2159072	DOOR GASKET, MAGNETIC (SERVICE)
14	2156021	TRIM, DOOR SHELF (4)
17	2198271	HARNESS, DOOR
18	2209680	TRIM, DOOR SHELF
19	488500	SCREW
21	3400012	SCREW
25	2182179	DOOR CLOSER, UPPER CAM
26	2154473	CONNECTOR
27	489420	SCREW
28	2195950	BRACKET, DOOR STOP
30	489491	SCREW
31	2193353W	ENDCAP, HANDLE (2) (WHITE)

7ED20TQXFW04 DISPENSER







## 7ED20TQXFW04 DISPENSER

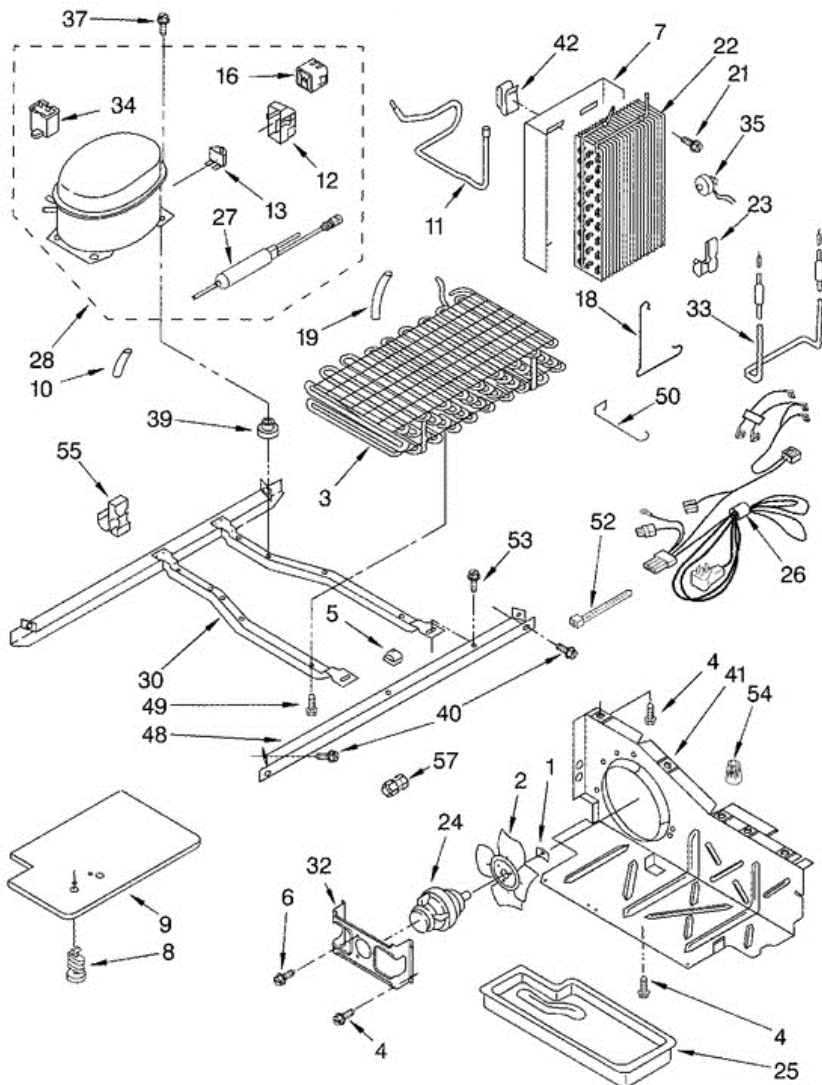
1	2180220	HOUSING, DISPENSER (WHITE)
2	489101	SCREW
3	2194719	RETAINER, LEVERS
4	2180209	SPRING, TORSION
5	2196195	PIN
6	2180205	DOOR, ICE
7	2206423	DOOR MECHANISM ASSEMBLY
8	2205686	DELAY MECHANISM
9	2183787W	GRILLE, OVERFLOW (WHITE)
10	2209718	WATER FITTING ASSEMBLY (INCLUDES WATER TUBE)
11	2195089W	LEVER, ICE DISPENSER (WHITE)
12	2180224	GUIDE, ICE
13	2180200	LAMP HOLDER
14	2162361	SWITCH (2)
15	2183771	BRACKET, CONTROL
16	3406124	LIGHT BULB
17	2195090W	LEVER, WATER DISPENSER (WHITE)
18	2180279	SWITCH ASSEMBLY (ALSO ORDER NO.19)
19	2180355	OVERLAY, FRONT COVER (WHITE)
20	2196198	WIRE ASSEMBLY
21	N/A	FRONT COVER, HOUSING
22	489000	SCREW
23	2194569W	FRONT COVER ASS. (INCL. 18, 19, 20 & 21) (WHITE)
24	625834	SPACER, SWITCH (2)
25	2195051	STRAIN RELIEF

Distribuidor Autorizado

SurteRápido.com

Venta de Refacciones  
Electrodomesticas

7ED20TQXFW04 UNIT



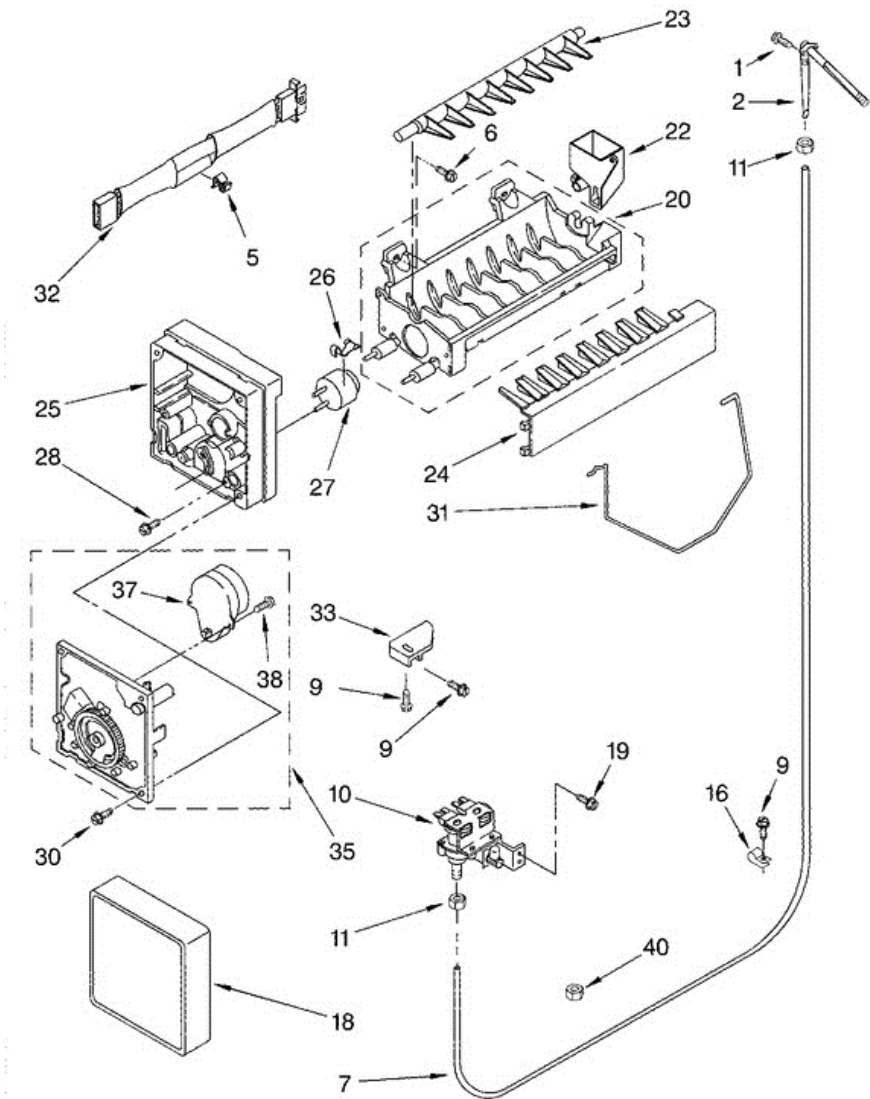


## 7ED20TQXFW04 UNIT

1	486692	SPEED NUT
2	2190685	BLADE, FAN
3	2204242B	CONDENSER ASSEMBLY
4	489464	SCREW
5	934011	CLIP, TUBE (2)
6	489099	SCREW
7	2149293	HEAT SHIELD AND DRAIN PAN
8	489396	CLIP
9	2182057	COVER, UNIT COMPARTMENT
10	2158826	DAMPENER
11	2204238	TUBE SUCTION
12	4387731	COVER (SERVICE COMPRESSOR ONLY)
13	4387767	OVERLOAD (SERVICE COMPRESSOR
16	2204412	START-DEVICE, COMBINATION
18	2161324	CLIP, DEFROST HEATER
19	2161302	SLEEVE
21	487869	SCREW
22	2164518	EVAPORATOR
23	2161330	CLIP, HEATER (2)
24	2176336	FAN, MOTOR
25	1105523	TRAY, EVAPORATOR
26	2211329	HARNESS, UNIT
27	2199167	DRIER
28	2183453	COMPRESSOR (INCLUDES ITEMS 12, 13, 27 & 34)
30	2160498	UNIT MOUNTING FRAME
32	2181929	FAN, MOTOR BRACKET
33	2188174	HEATER, DEFROST
34	4387764	CAPACITOR (SERVICE COMPRESSOR ONLY)
35	2196155	BI-METAL, DEFROST
37	489387	SCREW
39	2183042	GROMMET (4)
40	489340	SCREW
41	2196201	AIR BAFFLE

42	2155547	CLIP, HEAT SHIELD
48	2149717	UNIT MOUNTING RAIL
49	488624	SCREW
50	1105612	GUARD, FAN
52	2172840	STRAP
53	489427	SCREW
54	850145	WIRE CONNECTOR
55	2208280	CLIP, WIRE & TUBE
57	2196152	CONNECTOR AND WATER TUBE
57	876764	VALVE, ACCESS (3/16``)
57	978025	VALVE, ACCESS (1/4``)
57	978026	VALVE, ACCESS (5/16``)
57	978027	VALVE, ACCESS (3/8``)
57	978028	VALVE, ACCESS (1/2``)
57	978029	VALVE, ACCESS (5/8``)
57	978030	VALVE, ACCESS (3/4``)

**7ED20TQXFW04 ICE MAKER**

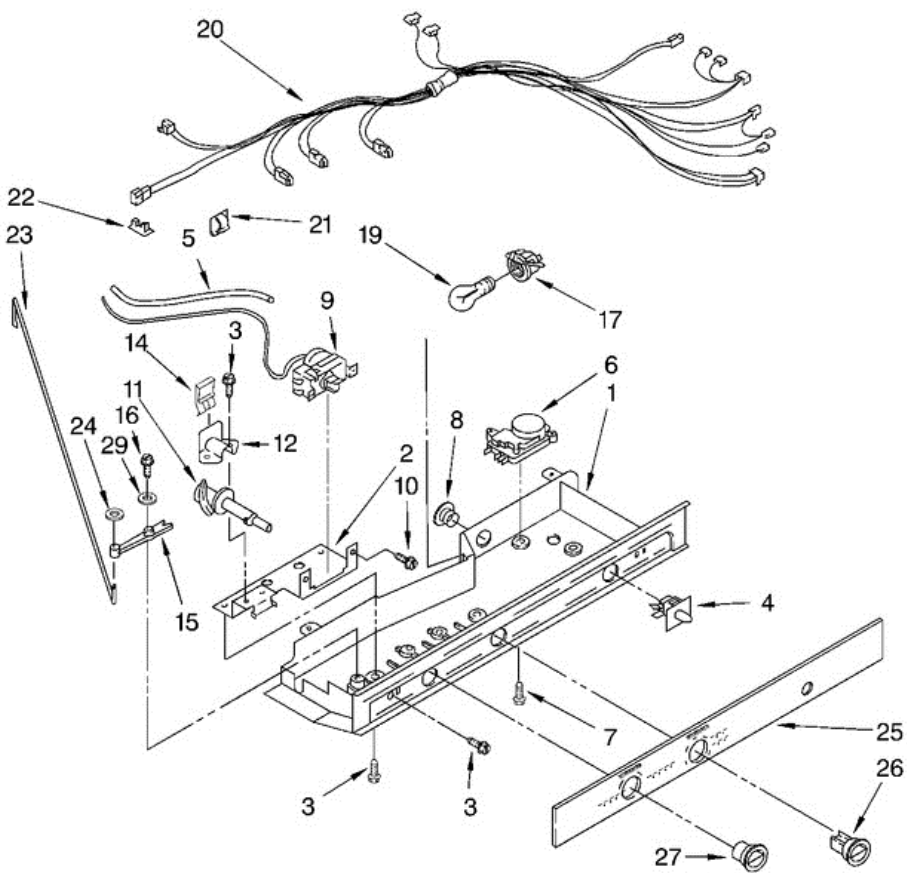




## 7ED20TQXFW04 ICE MAKER

1	489084	SCREW
2	2196157	FITTING, WATER TUBE
5	628379	CLIP, FUSE
6	488208	SCREW
7	2181943	TUBE WATER
9	489478	SCREW
10	2182106	VALVE, SOLENOID
11	627018	NUT, COMPRESSION
16	489385	CLAMP, TUBE
18	2174155	COVER
19	488649	SCREW
20	542638	SILICONE GREASE
20	628228	MOLD & HEATER ASSEMBLY (ALSO ORDER
22	628356	CUP-WATER FILL
23	2194711	EJECTOR
24	2182124	ICE STRIPPER
25	2194712	SUPPORT
26	627796	RETAINER, THERMOSTAT
27	542369	CEMENT ALUMILASTIC)
27	628397	THERMOSTAT (ALSO ORDER)
28	489322	SCREW
30	489276	SCREW
31	2171593	SHUT OFF ARM
32	628256	HARNESS, WIRING
33	628320	BRACKET
35	628399	MODULE ASSEMBLY (INCLUDES ITEMS 37 & 38)
37	628398	MOTOR
38	489136	SCREW
40	1129179	NUT, COMPRESSION
100	4317943	COMPLETE ICEMAKER ASSEMBLY

**7ED20TQXFW04 CONTROL**





## 7ED20TQXFW04 CONTROL

1	2200137	CONTROL BOX
2	1110629	MOUNTING BRACKET
3	3196537	SCREW (4)
4	2149705	LIGHT SWITCH
5	2196002	TUBE BARRIER, THERMOSTAT
6	2188375	DEFROST TIMER
7	489398	SCREW (2)
8	940014	HOLE PLUG
9	2198201	THERMOSTAT ASSEMBLY
10	487869	SCREW
11	2182195	CAM ASSEMBLY
12	1110560	BEARING BODY
14	2196062	CLIP, DAMPER CONTROL
15	1110559	PIVOT ARM
16	627068	SCREW
17	2162085	LIGHT SOCKET
19	527949	LIGHT BULB
20	2206513	CONTROL BOX HARNESS
21	1115374	CLIP, WIRING
22	1115375	CLIP-WIRING
23	1123959	CONNECTING ROD
24	489285	FASTENER, PUSH-ON
25	2194977	ESCUTCHEON, CONTROL BOX
26	2182111	KNOB, THERMOSTAT
27	2197871	KNOB, AIR CONTROL
29	1117510	TORX KEY
29	212643	SEALER, GUM (4 FEET)
29	2169939	ICE CRUSHER MECHANISM ASSEMBLY
29	2209764	ICE CONTAINER ASSEMBLY
29	261890	ENAMEL, GOLDEN HARVEST (13 OZ. SPRAY CAN)
29	261891	ENAMEL, GOLDEN HARVEST (1 QT. UN CUT)
29	350930	PAINT, PRESSURIZED SPRAY 12 OZ.) (WHITE)
29	350939	ENAMEL, BLACK (13 OZ. SPRAY CAN)



29	350942	PRIMER WHITE (13 OZ. SPRAY CAN)
29	350956	ENAMEL, ALMOND (13 OZ. SPRAY CAN)
29	479502	TAPE, VINYL (3/4 X 108``)
29	489203	SPRING WASHER
29	503695	CORK, SEALER (1/4 POUND)
29	505587	SEALER, MASTIC (1 QT.)
29	511873	PAINT, TOUCH-UP 1/2 OZ. (WHITE PORCELAIN)
29	542638	GREASE, SILICONE (1/2 OZ.)
29	542639	CEMENT, ALUMILASTIC (1-1/4 OZ.)
29	606755	BAG, INSULATION (36-5/8`` X 46``)
29	72017	PAINT, TOUCH-UP (1/2OZ.) (WHITE)
29	72032	PAINT, TOUCH-UP (1/2OZ.) (BLACK)
29	72107	PAINT, TOUCH-UP (1/2OZ.) (ALMOND)
29	72110	PAINT, TOUCH-UP 1/2 OZ. (HARVEST GOLD)
29	799340	ENAMEL, BLACK (1 QT. UNCUT)
29	799344	PAINT, BULK (1 QT.) (WHITE (UNCUT))
29	799833	KIT, EVAPORATOR REPAIR (ALUMINUM EPOXY)
29	833938	KIT, TERMINAL CONNECTOR
29	876029	KIT, FOAM SLAB (30`` X 32-1/2`` X 1-1/2``)
29	876305	KIT, INSULATION (14 PCS. X 3`` X 24`` X 48``)
29	876370	KIT, INSULATION (2 PCS. X 3`` X 24`` X 48``)
29	978883	ENAMEL, ALMOND (1 QT. UNCUT)
29	978941	INSULATION, FIBERGLASS (63-1/2`` X 35-1/2`` X 2-5/8``)