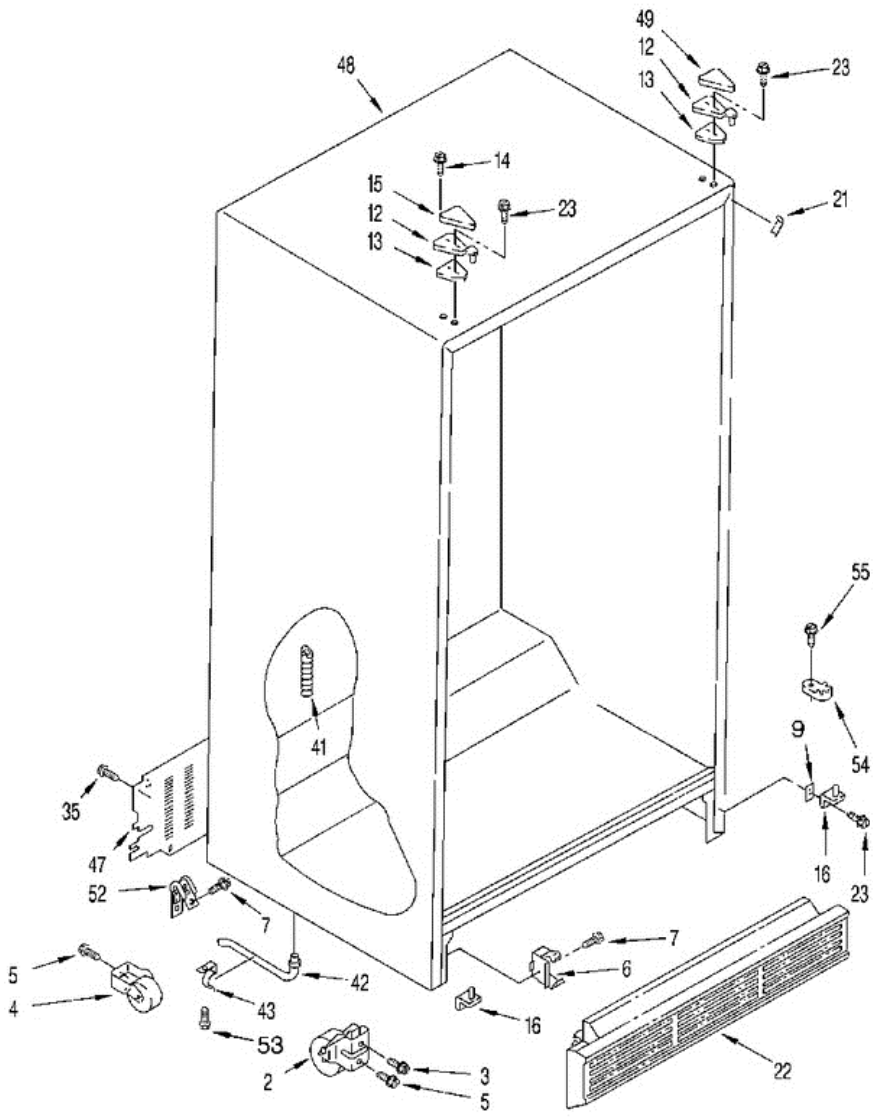


7ED25DQXFW02 CABINET

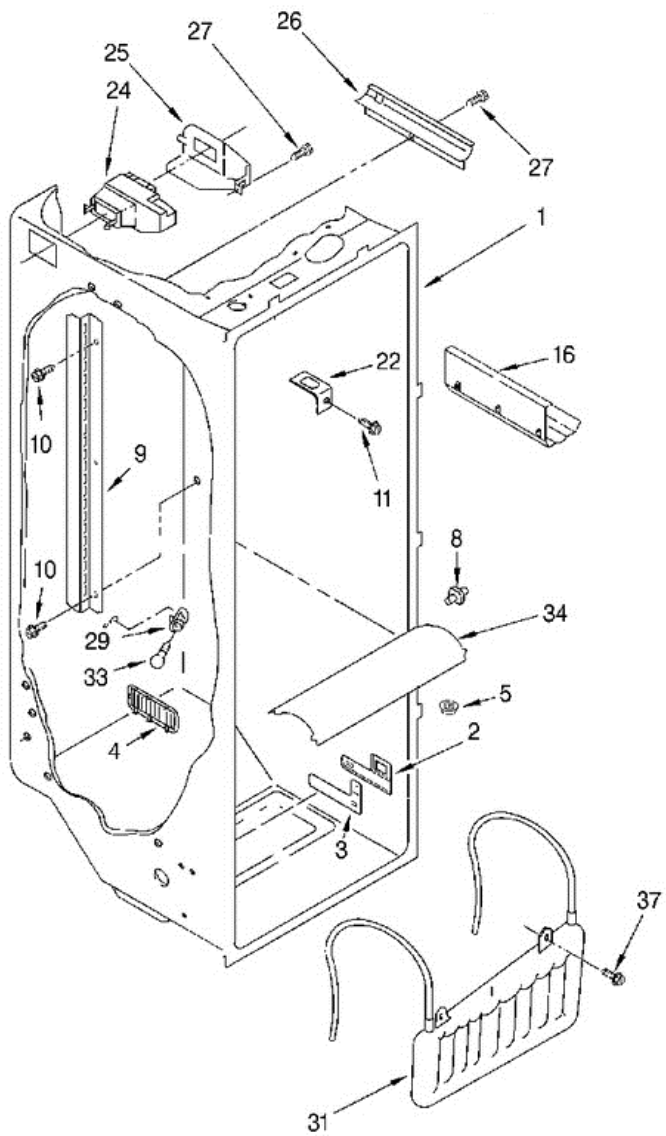




7ED25DQXFW02 CABINET

2	2174748	FRONT ROLLER (2)
3	489456	SCREW
4	2196236	ROLLER (REAR) (2)
5	489427	SCREW
6	2155013	CLIP, GRILLE
7	489478	SCREW
9	2156056	SHIM
12	2196046	HINGE, TOP (2)
13	2196048	SHIM, HINGE TOP
14	489284	SCREW
15	1129262	HINGE COVER (WHITE)
16	2171851	HINGE BOTTOM (2)
21	2196094	FILLER, WRAPPER (WHITE)
22	2198470W	GRILLE (WHITE)
23	489497	SCREW
35	489464	SCREW
41	940139	FITTING, DRAIN
42	1108438	TUBE, EXTENSION
43	1108439	CLIP, DRAIN TUBE
47	2176140	COVER, UNIT
48	N/A	CABINET (NOT A SERVICEABLE PART)
49	1119787	HINGE COVER (WHITE)
52	549193	CLAMP, SERVICE CORD
53	489084	SCREW
54	2155311	DOOR CLOSER, LOWER CAM (2)
55	489483	SCREW

**7ED25DQXFW02 REFRIGERATOR
 LINER**

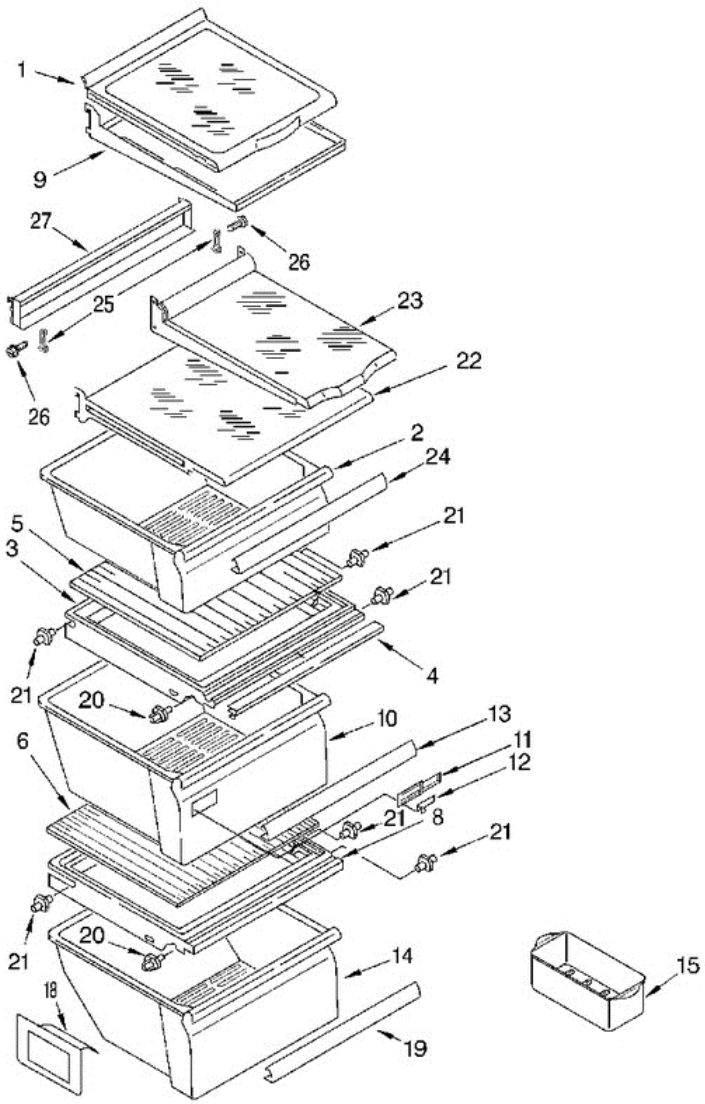




**7ED25DQXFW02 REFRIGERATOR
LINER**

1	N/A	LINER (NOT A SERVICEABLE PART)
2	2194744	ESCUTCHEON, MEAT PAN CONTROL
3	2182757	SLIDE MEAT PAN CONTROL
4	2182147	LOUVER
5	2171846	RELEASE VALVE
8	1110718	STUD
9	2181796	LADDER, SHELF
10	487539	SCREW
11	489290	SCREW (2)
16	2179404	RACK, WINE & EGG
22	1123919	BRACKET, RETAINER
24	2176173	AIR DIFFUSER ASSEMBLY
25	2152019	COVER, AIR DIFFUSER
26	2150331	COVER, CONDUIT
27	486298	SCREW
29	2162085	SOCKET
31	2155290	RESERVOIR
33	527949	LIGHT BULB
34	2203266	LIGHT LENS
37	488280	SCREW (2)

**7ED25DQXFW02 REFRIGERATOR
 SHELF**

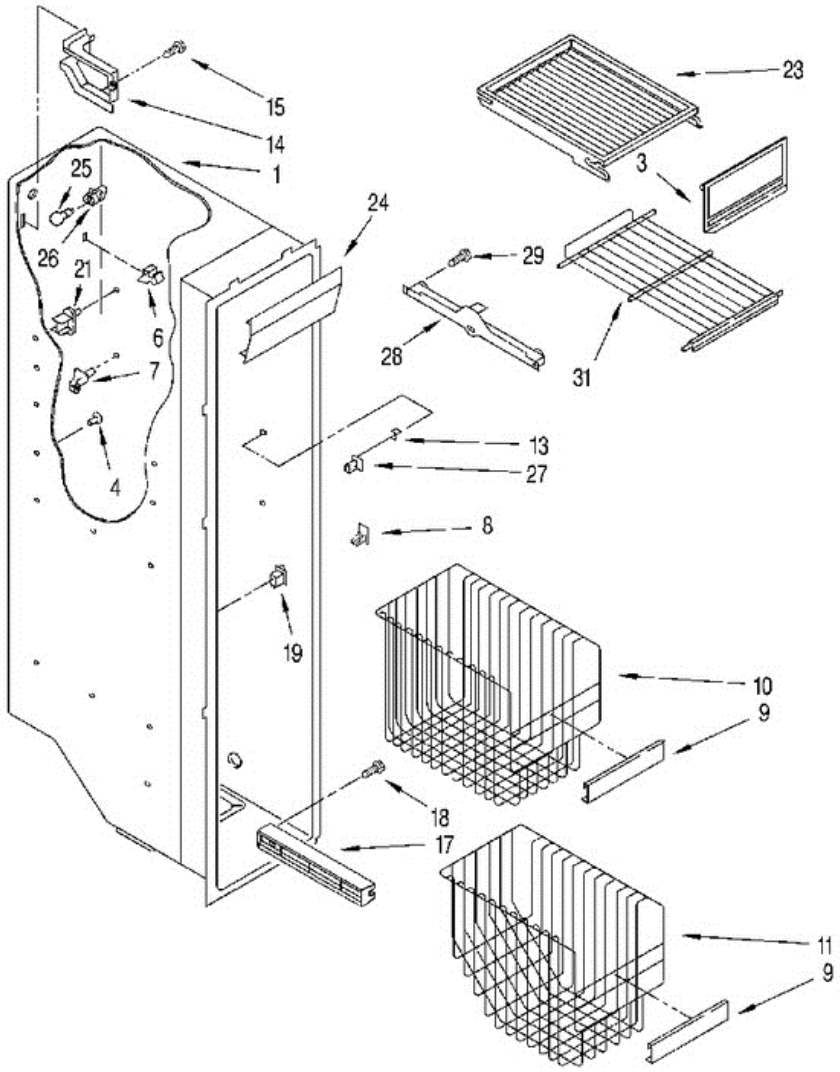




7ED25DQXFW02 REFRIGERATOR SHELF

1	2194736	SHELF ASSEMBLY, GLASS SLIDING (2)
2	2196233	SNACK BIN
3	2194578	COVER, CRISPER
4	2174442	GASKET, COVER (FRONT)
5	2174150	GLASS, COVER
6	2179259	GLASS, COVER
8	2189601	COVER, MEAT PAN
9	2195975	FRAME, SHELF (2)
10	2196160	PAN, CRISPER
11	2179343	FRONT, CRISPER PAN
12	2179342	SLIDE, HUMIDITY CONTROL
13	2194913	TRIM, HANDLE
14	2196162	MEAT PAN
15	2182730	EGG BIN
18	2179350	DEFLECTOR
19	2194906	TRIM, HANDLE
20	2172943	SHELF STUD
21	1110718	SHELF STUD
22	2194734	SHELF, SNACK BIN
23	2194741	SHELF, SLIDE (SIDE TO SIDE)
24	2179243	TRIM, HANDLE
25	2169608	HOOK, SHELF
26	489419	SCREW
27	2174422	TRACK, SHELF

7ED25DQXFW02 FREEZER LINER





7ED25DQXFW02 FREEZER LINER

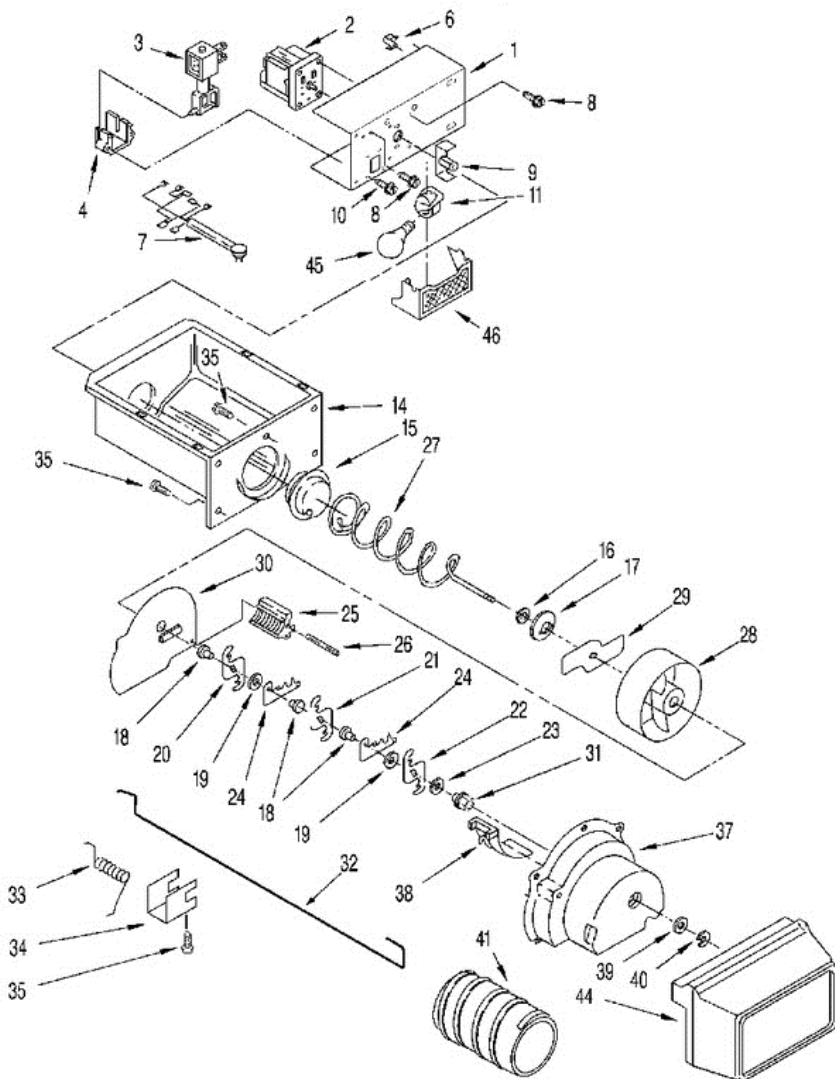
1	N/A	LINER (NOT A SERVICEABLE PART)
3	2171713	DOOR, ICE COMPARTMENT
4	2176134	GROMMET
6	842534	CLIP, AIR DUCT (2)
7	1115317	SUPPORT, STUD (4)
8	1106982	STUD, REAR
9	2195905	TRIM, BASKET
10	2181765	BASKET, TALL
11	2181764	BASKET, SLOPE
13	946355	STUD, SUPPORT
14	2155572	COVER, WIRING
15	489355	SCREW
17	2181759	SLIDE, BASKET (LEFT SIDE (2))
17	2181760	SLIDE, BASKET (RIGHT SIDE (2))
18	486298	SCREW
19	1115373	SWITCH, ROCKER ARM
21	1115386	STUD, SHELF (4)
23	2194297	SHELF, TOP COMPARTMENT
24	2171705	LENS, LIGHT
25	527949	LIGHT BULB
26	2162085	LIGHT SOCKET
27	1106982	STUD, REAR R.S.
27	946356	STUD, FRONT R.S.
28	1119237	SLIDE, CONTAINER (LEFT SIDE)
28	1119293	SLIDE, CONTAINER (RIGHT SIDE)
29	489100	SCREW
31	2174267	SHELF

Distribuidor Autorizado

SurteRápido.com

Venta de Refacciones
Electrodomesticas

7ED25DQXFW02 MOTOR & ICE CONTAINER



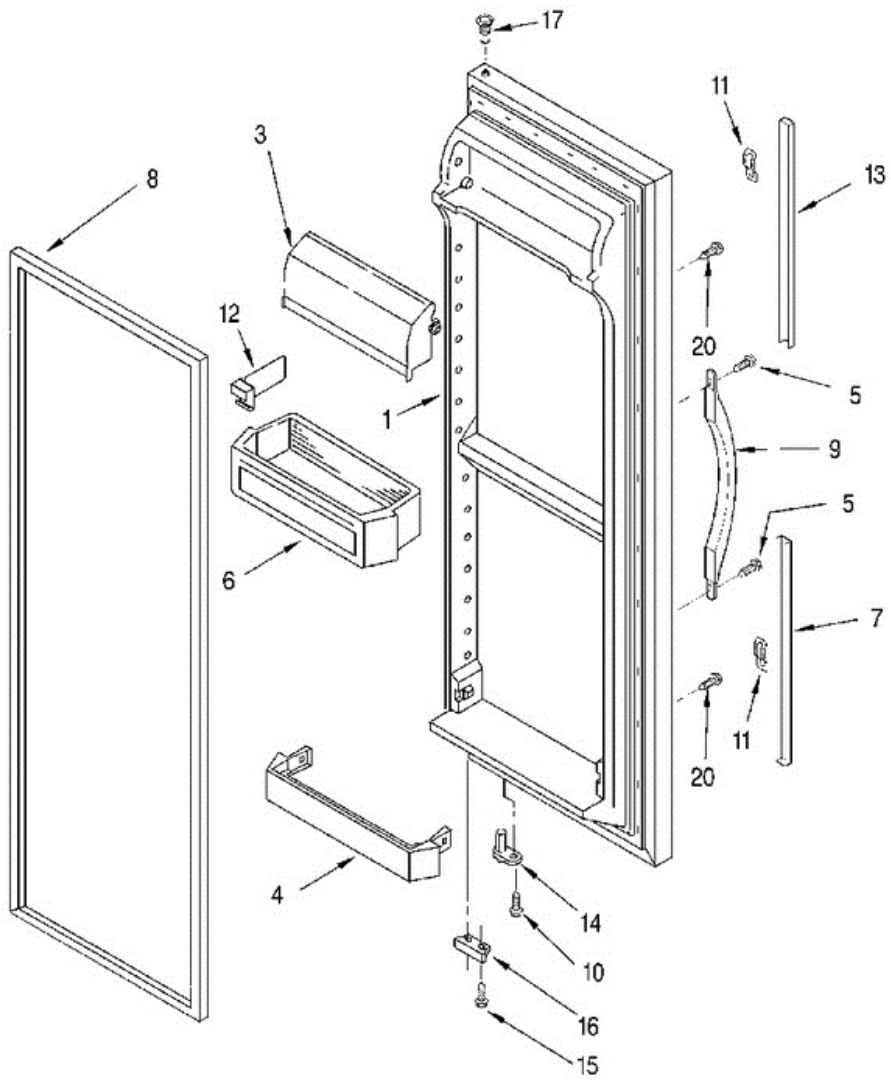


7ED25DQXFW02 MOTOR & ICE CONTAINER

1	2183726	BRACKET, MOTOR
2	2188242	MOTOR, DISPENSER
3	2152713	SOLENOID ASSEMBLY
4	2149100	GUIDE, SOLENOID
6	1115374	CLIP, WIRING
7	2186815	WIRING ASSEMBLY, ICE DISPENSER
8	489399	SCREW
9	983663	COUPLING, MOTOR
10	489478	SCREW
11	2162085	SOCKET, LIGHT
14	2196091	ICE CONTAINER
15	983668	COUPLING, CONVEYOR
16	1118480	STOP, CONE
17	1119074	FEEDER CONE
18	1119005	SPACER, STEP (3)
19	1119007	SPACER, FLAT (2)
20	1119006	BLADE, ROTARY
21	1119012	BLADE, ROTARY
22	1119013	BLADE, ROTARY
23	489235	WASHER, PLAIN
24	1119009	BLADE, FIXED (2)
25	2157405	BLOCK BLADE
26	489229	ROLL PIN
27	2181955	CONVEYOR
28	2171681	DRUM
29	1118470	DRIVE BAR
30	2171682	FLOATING BAFFLE
31	1119018	NUT, BEARING
32	2155231	CONTROL ARM
33	1119020	SPRING, RETURN
34	1119021	RETAINER CLIP, ROD
35	488886	SCREW
37	2180348	HOUSING, CRUSHER

38	1119017	DEFLECTOR, ICE
39	489234	WASHER, PLAIN
40	489236	RETAINER RING
41	2152021	SLEEVE-AUGER
44	2171708	FRONT COVER, ICE CONTAINER
45	527949	LIGHT BULB
46	2171706	LIGHT LENS, DISPENSER

7ED25DQXFW02 REFRIGERATOR DOOR

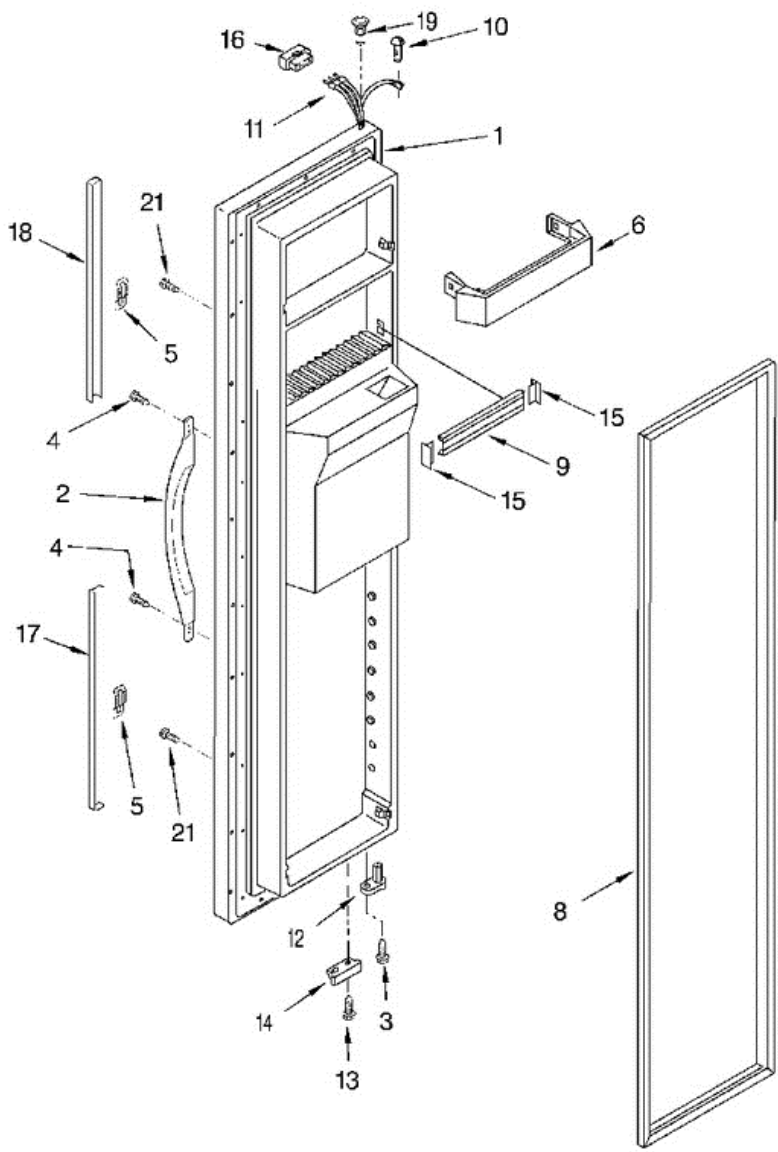




7ED25DQXFW02 REFRIGERATOR DOOR

1	2194509W	REFRIGERATOR DOOR (INCLUDES NO.8) (WHITE)
3	2177105	DOOR, COMPARTMENT
4	2156022	TRIVET, SHELF
5	489491	SCREW
6	2179607	SHELF BIN (3)
7	2194969W	EXTENSION, BOTTOM (WHITE)
8	2159075	DOOR GASKET, MAGNETIC (SERVICE) (MIST BEIGE)
9	2186649W	HANDLE, CENTER (WHITE)
10	3400012	SCREW
11	2195327	CLIP (4)
12	2195496	DIVIDER, BIN
13	2194973W	EXTENSION, TOP (WHITE)
14	2182178	DOOR CLOSER, UPPER CAM
15	489420	SCREW
16	2195950	BRACKET, DOOR STOP (CHROME)
17	2182180	THIMBLE, TOP
20	3400852	SCREW

7ED25DQXFW02 FREEZER DOOR

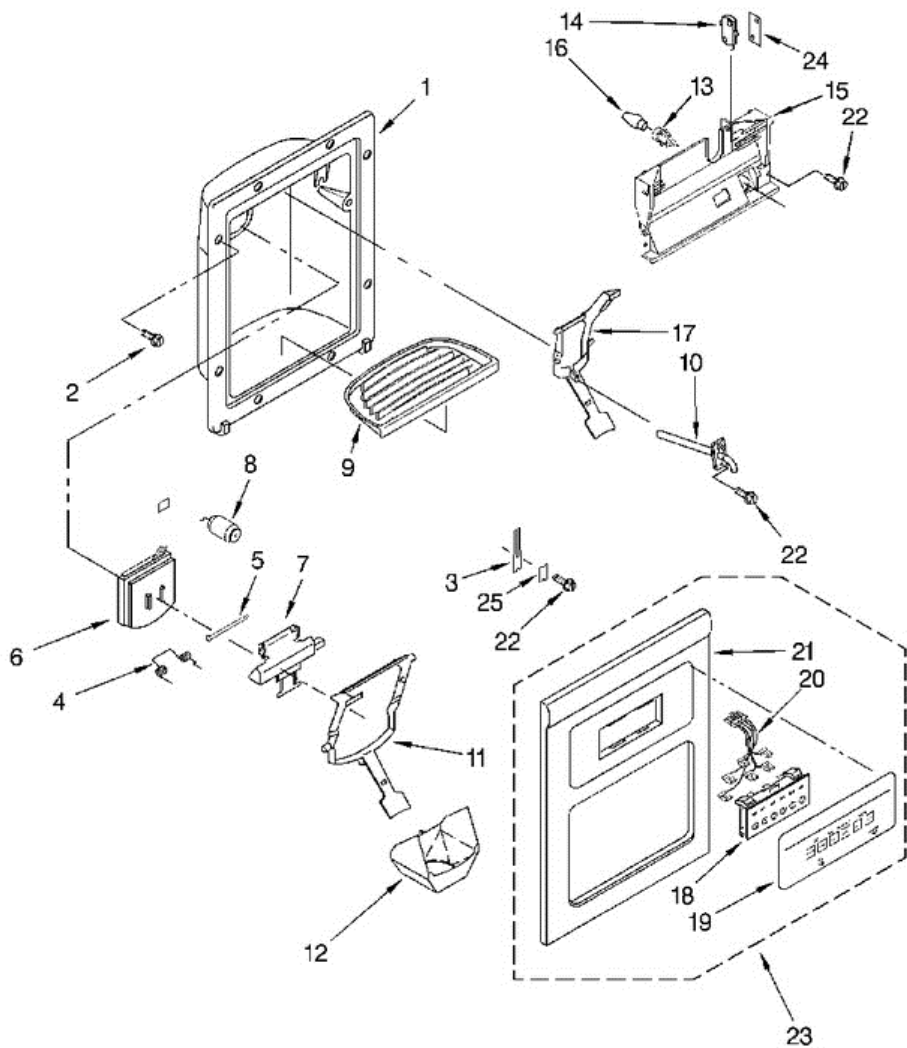




7ED25DQXFW02 FREEZER DOOR

1	2194506W	FREEZER DOOR (INCL. NO.8) (WHITE)
2	2186649W	HANDLE, CENTER (WHITE)
3	3400012	SCREW
4	489491	SCREW
5	2195327	CLIP (4)
6	2171157	TRIVET, SHELF (4)
8	2159074	DOOR GASKET, MAGNETIC (SERVICE) (MIST BEIGE)
9	2195931	TRIM, DOOR SHELF
10	488500	SCREW
11	2183713	WIRING HARNESS
12	2182179	DOOR CLOSER, UPPER CAM
13	489420	SCREW
14	2195950	BRACKET, DOOR STOP (CHROME)
15	2156006	PLUG, TRIM
16	2154473	CONNECTOR
17	2194969W	EXTENSION, BOTTOM (WHITE)
18	2194973W	EXTENSION, TOP (WHITE)
19	2182181	THIMBLE-TOP
21	3400852	SCREW

7ED25DQXFW02 DISPENSER





7ED25DQXFW02 DISPENSER

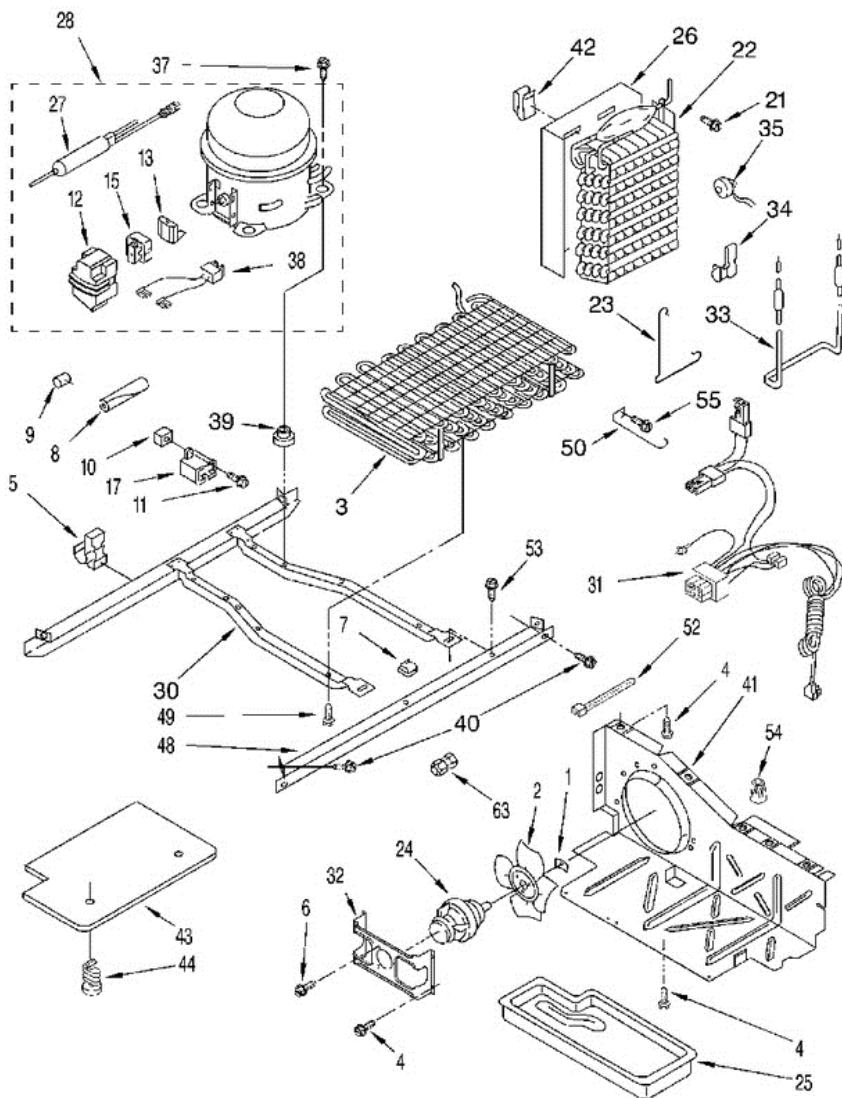
1	N/A	HOUSING, DISPENSER (NOT A SERVICEABLE PART)
2	489101	SCREW
3	2194719	RETAINER, LEVERS
4	2180209	SPRING, TORSION
5	2196195	PIN
6	2180205	DOOR, ICE
7	2180208	DOOR MECHANISM ASSEMBLY
8	2180223	DELAY MECHANISM
9	2180241	GRILLE, OVERFLOW (WHITE)
10	2180225	WATER FITTING ASSEMBLY (INCL. WATER TUBE)
11	2180256	LEVER, ICE DISPENSER (WHITE)
12	2180224	GUIDE, ICE
13	2180200	LAMP HOLDER
14	2162361	SWITCH (4)
15	2183771	BRACKET, CONTROL
16	3406124	LIGHT BULB
17	2180265	LEVER, WATER DISPENSER (WHITE)
18	2180236	SWITCH ASSEMBLY (ALSO ORDER NO. 19)
19	2180237	OVERLAY, FRONT COVER (WHITE)
20	2196199	WIRE ASSEMBLY
21	N/A	FRONT COVER, HOUSING (ORDER NO.23)
22	489000	SCREW
23	2180381	FRONT COVER ASSY. (INCL 18, 19, 20 & 21) (WHITE)
24	625834	SPACER, SWITCH (2)
25	2195051	STRAIN RELIEF

Distribuidor Autorizado

SurteRápido.com

Venta de Refacciones
Electrodomesticas

7ED25DQXF02 UNIT



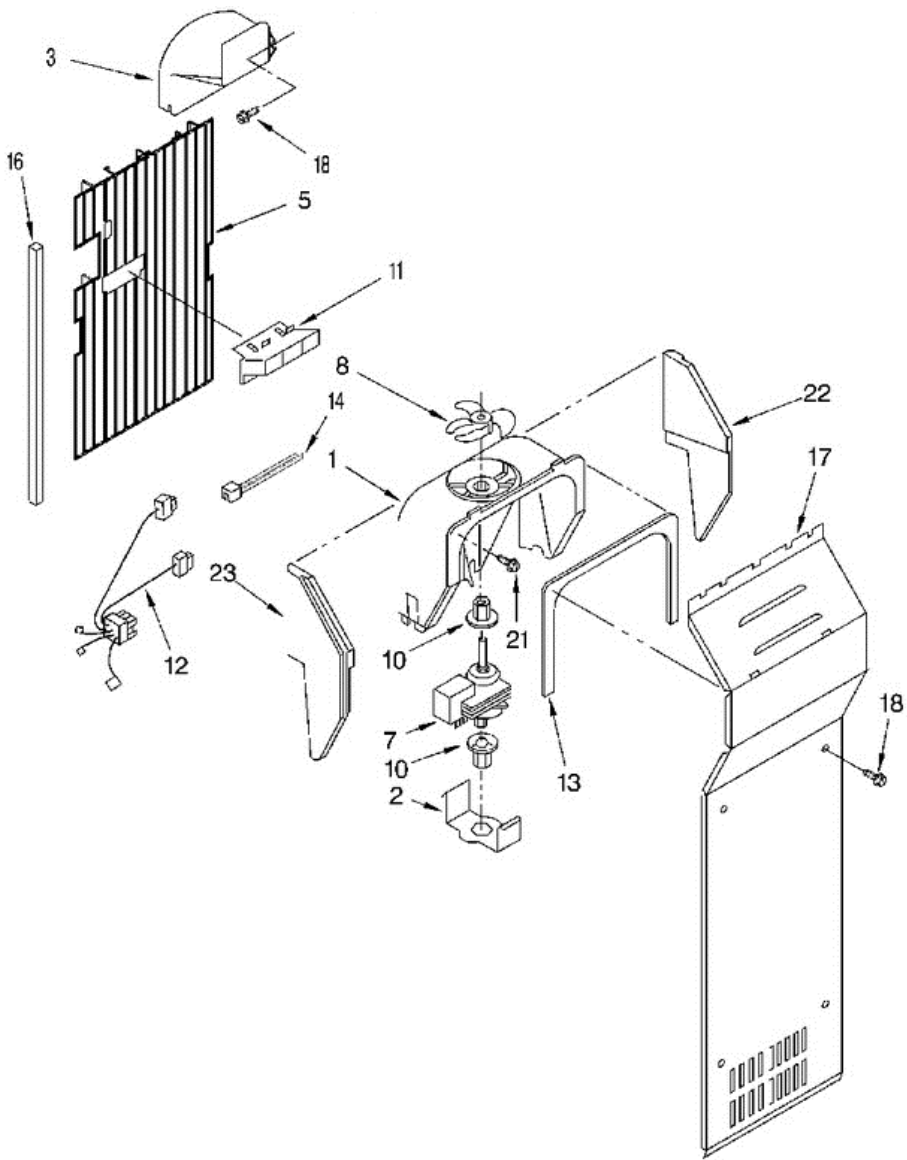


7ED25DQXFW02 UNIT

1	486692	SPEED NUT
2	1108179	FAN, BLADE
3	2198175	CONDENSER ASSEMBLY
4	489464	SCREW
5	2155658	CLIP, WIRE
6	489099	SCREW
7	934011	CLIP, TUBE (3)
8	2161302	SLEEVE
9	2158826	DAMPENER
10	509812	SCREW GROMMET
11	488687	SCREW
12	2162358	COVER
13	2183456	OVERLOAD (PRODUCTION)
13	4387835	OVERLOAD ((SERVICE, INCLUDES RELAY))
15	2183454	RELAY (PRODUCTION) (SERVICE, SEE OVERLOAD)
17	2169137	CAPACITOR (PRODUCTION)
17	4387764	CAPACITOR (SERVICE)
21	489478	SCREW
22	2164519	EVAPORATOR
23	2161324	CLAMP
24	2176336	FAN, MOTOR
25	1110674	TRAY, EVAPORATOR
26	2149294	HEAT SHIELD
27	2164409	DRIER
28	2183455	COMPRESSOR (INCL 12, 13, 15, 17, 27 & 38)
28	876765	TUBE KIT
30	2157396	UNIT MOUNTING FRAME
31	2186831	UNIT, HARNESS
32	2181929	FAN, MOTOR BRACKET
33	2188175	HEATER, DEFROST
34	2161330	CLIP
35	2196155	BI-METAL, DEFROST
37	489387	SCREW

38	2172890	WIRE CONNECTOR
39	2183042	GROMMET (4)
40	489340	SCREW
41	2196202	AIR BAFFLE
42	2155547	CLIP, HEAT SHIELD
43	2182058	UNIT COVER, BOTTOM
44	489396	CLIP
48	1127906	UNIT MOUNTING RAIL
49	488624	SCREW
50	1110663	GUARD, FAN
52	2172840	STRAP
53	489427	SCREW
54	227991	WIRE CONNECTOR
55	488649	SCREW
63	2150347	UNION
63	876764	VALVE, ACCESS (3/16``)
63	978025	VALVE, ACCESS (1/4``)
63	978026	VALVE, ACCESS (5/16``)
63	978027	VALVE, ACCESS (3/8``)
63	978028	VALVE, ACCESS (1/2``)
63	978029	VALVE, ACCESS (5/8``)
63	978030	VALVE, ACCESS (3/4``)

7ED25DQXFW02 AIR FLOW

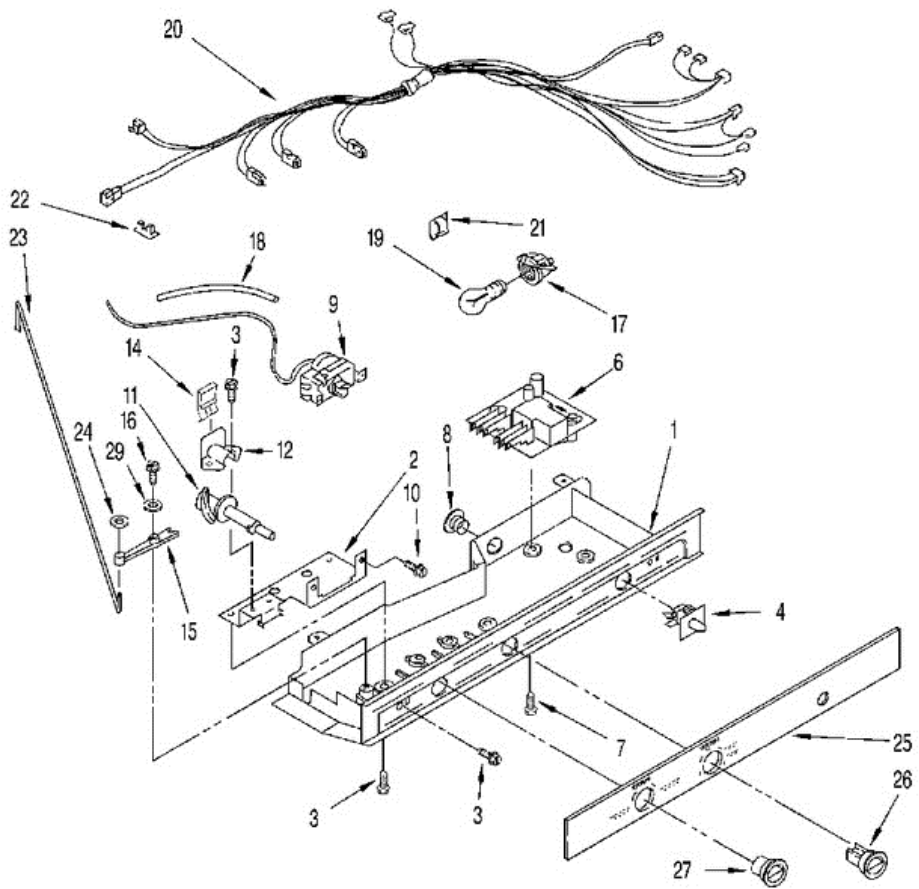




7ED25DQXFW02 AIR FLOW

1	2182120	SCROLL, FAN
2	2155590	RETAINER, FAN MOTOR
3	2161231	AIR SCOOP
5	2196122	AIR DUCT FREEZER
7	2149299	FAN MOTOR
8	2169142	BLADE, FAN
10	2176759	GROMMET, FAN (2)
11	2182146	DUCT, ICEMAKER
12	2186800	HARNESS,FAN EVAPORATOR & HEATER, BI-METAL
13	2155789	GASKET COVER
14	2172840	WIRE TIE
16	2155782	GASKET
17	2196144	COVER, EVAPORATOR
18	489355	SCREW
21	489478	SCREW
22	2161484	SUPPORT, R.S.
23	2155766	SUPPORT, L.S.

7ED25DQXFW02 CONTROL

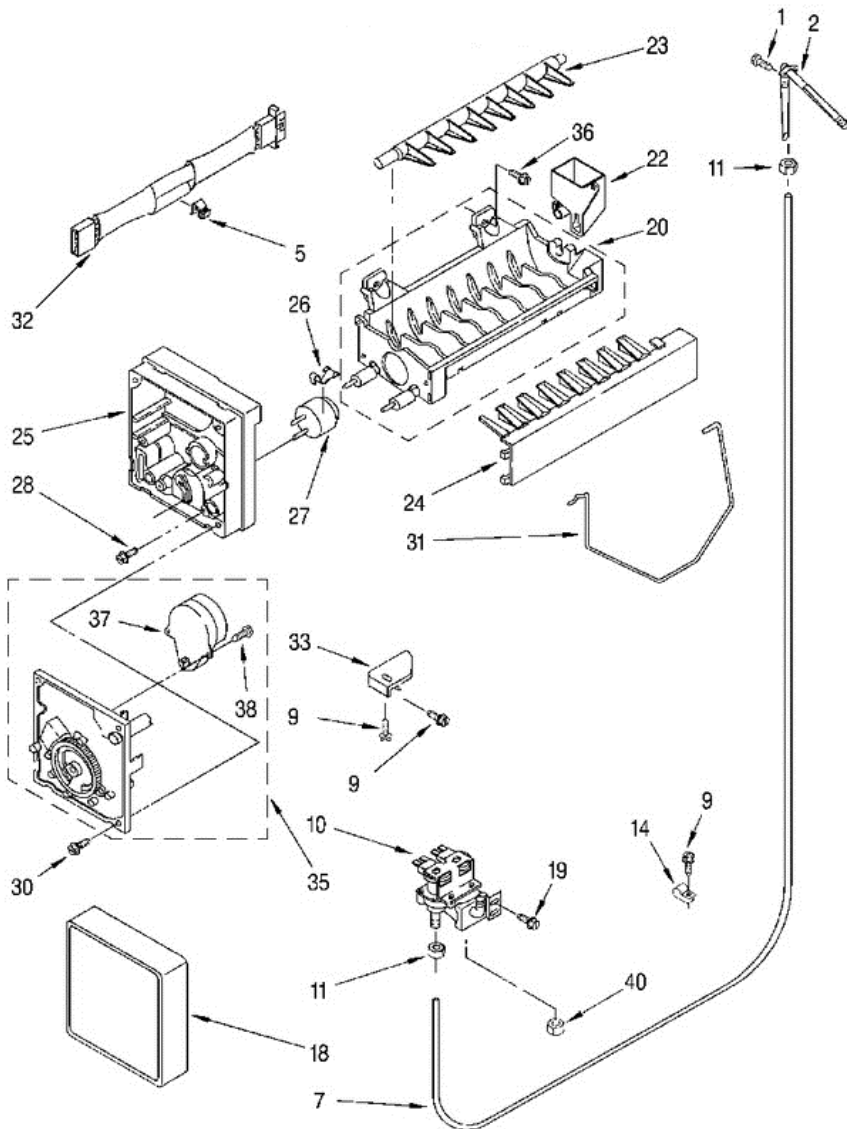




7ED25DQXFW02 CONTROL

1	2200136	CONTROL BOX
2	1110629	MOUNTING BRACKET
3	3196537	SCREW (4)
4	2149705	LIGHT SWITCH
6	2188159	ADAPTIVE DEFROST CONTROL
7	489398	SCREW (2)
8	940014	HOLE PLUG
9	2198202	THERMOSTAT ASSEMBLY
10	487869	SCREW
11	2182195	CAM ASSEMBLY
12	1110560	BEARING BODY
14	2196062	CLIP, DAMPER CONTROL
15	1110559	PIVOT ARM
16	627068	SCREW
17	2162085	LIGHT SOCKET
18	2196001	THERMOSTAT, BARRIER
19	527949	LIGHT BULB
20	2186822	CONTROL BOX HARNESS
21	1115374	CLIP, WIRING
22	1115375	CLIP, WIRING
23	1123960	CONNECTING ROD
24	489285	FASTENER, PUSH-ON
25	2194977	ESCUTCHEON, CONTROL BOX
26	2182111	KNOB, THERMOSTAT
27	2197871	KNOB, AIR CONTROL
29	489203	SPRING, WASHER

7ED25DQXFW02 ICE MAKER





7ED25DQXFW02 ICE MAKER

1	489084	SCREW
2	2196157	FITTING, WATER TUBE
5	628379	CLIP, FUSE
7	2181940	TUBE, WATER
9	489478	SCREW
10	2182106	VALVE, SOLENOID
11	627018	NUT, COMPRESSION
14	489385	TUBE CLAMP
18	2174155	COVER
19	488649	SCREW
20	542638	SILCONE GREASE
20	628228	MOLD & HEATER ASSEMBLY (ALSO ORDER
22	628356	CUP, WATER FILL
23	627843	EJECTOR
24	2182124	ICE STRIPPER
25	2194712	SUPPORT
26	627796	RETAINER, THERMOSTAT
27	542369	CEMENT ALUMILASTIC)
27	628397	THERMOSTAT (ALSO ORDER)
28	489322	SCREW
30	489276	SCREW
31	2171593	SHUT OFF ARM
32	628256	HARNESS, WIRING
33	628320	BRACKET
35	628399	MODULE ASSEMBLY (INCLUDES ITEMS 37 AND 38)
36	488208	SCREW
37	628398	MOTOR
38	489136	SCREW
40	1129179	NUT, COMPRESSION
100	1117510	TORX KEY
100	212643	SEALER, GUM (4 FEET)
100	2149072	ICE CRUSHER MECHANISM ASSEMBLY
100	2182102	ICE CONTIANER ASSEMBLY

100	350930	PAINT, PRESSURIZED SPRAY (12 OZ. WHITE)
100	350939	ENAMEL, BLACK (13 OZ. SPRAY CAN)
100	350942	PRIMER WHITE (13 OZ. SPRAY CAN)
100	350956	XENAMEL, ALMOND (13 OZ. SPRAY CAN)
100	4317943	COMPLETE ICEMAKER ASSEMBLY
100	479502	TAPE, VINYL (3/4 X 108``)
100	503695	CORK, SEALER (1/4 POUND)
100	505587	SEALER, MASTIC (1 QT)
100	511873	PAINT, TOUCH-UP 1/2 OZ. (WHITE PORCELAIN)
100	542638	GREASE, SILICONE (1/2 OZ.)
100	542639	CEMENT, ALUMILASTIC (1 1/4 OZ.)
100	606755	BAG, INSULATION (36-5/8`` X 46``)
100	72017	PAINT, TOUCH-UP (1/2OZ. WHITE)
100	72032	PAINT, TOUCH-UP (1/2OZ. BLACK)
100	72107	PAINT, TOUCH-UP (1/2OZ.) (ALMOND)
100	799340	ENAMEL, BLACK (1 QT. UNCUT)
100	799344	PAINT, BULK (1 QT.) (WHITE (UNCUT))
100	799833	KIT, EVAPORATOR REPAIR (ALUMINUM EPOXY)
100	833938	KIT, TERMINAL CONNECTOR
100	876029	KIT, FOAM SLAB (30`` X 32 1/2`` X 1 1/2``)
100	876305	KIT, INSULATION (14 PCS. X 3`` X 24`` X 48``)
100	876370	KIT, INSULATION (2 PCS. X 3`` X 24`` X 48``)
100	978883	ENAMEL, ALMOND (1 QT. UNCUT)
100	978941	INSULATION, FIBERGLASS(63 1/2``X 35 1/2``X 2 5/8``)