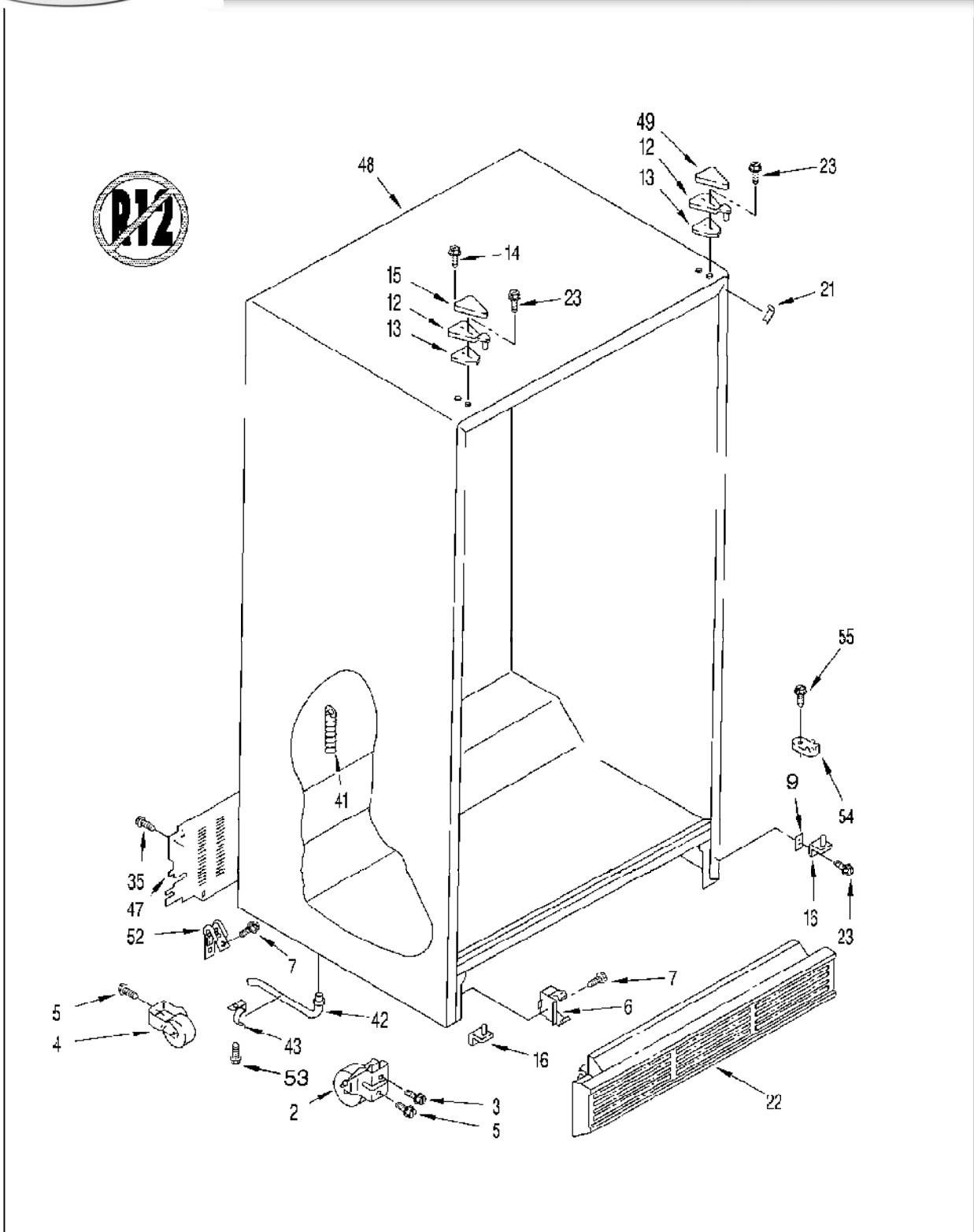
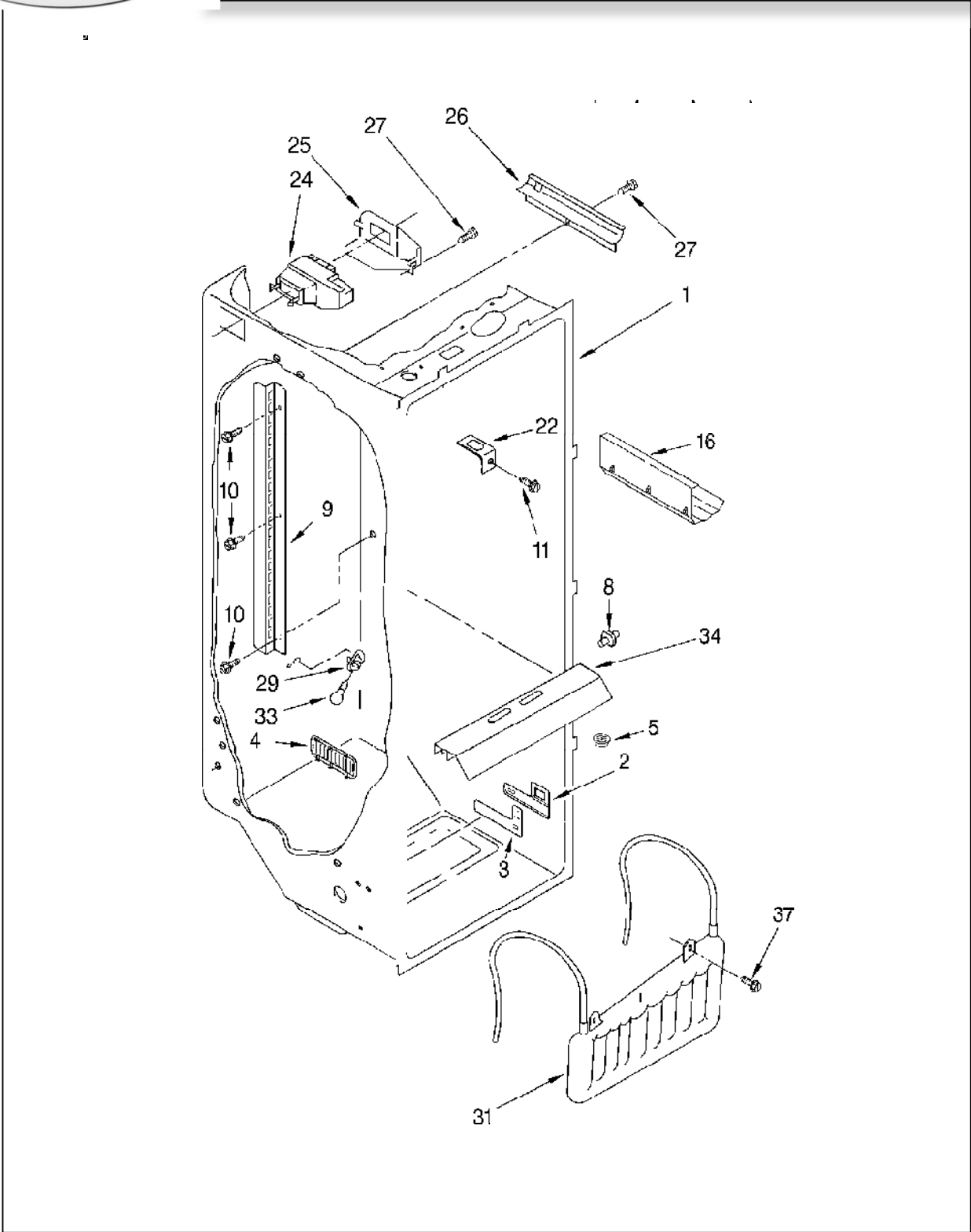


REFRIGERADOR 7ED27DQXFN01



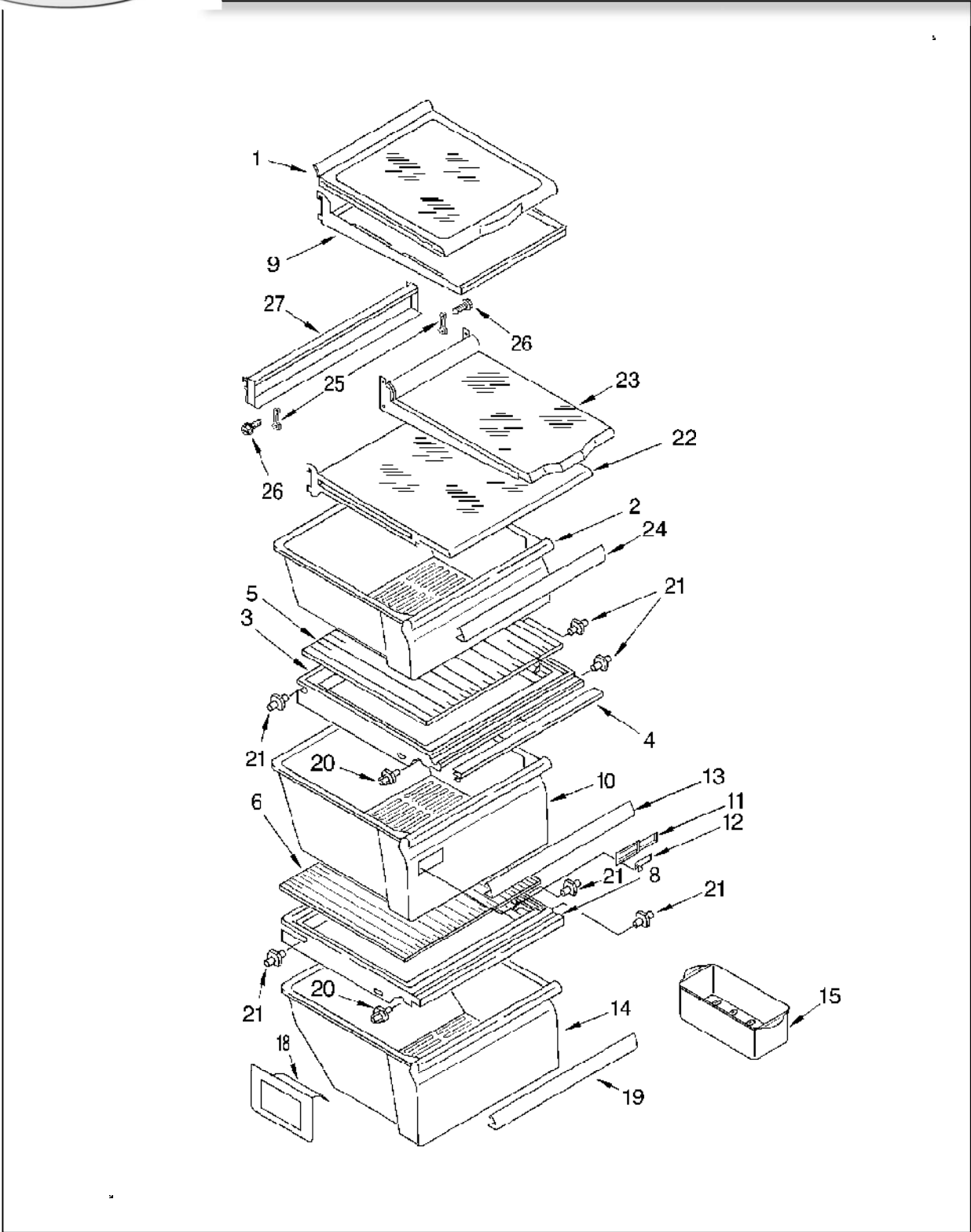
Acros Whirlpool Centro Industrial
 Carr. Miguel Alemán Km. 16.695-6
 C. P. 66600, Apodaca N. L.

REFRIGERADOR 7ED27DQXFN01



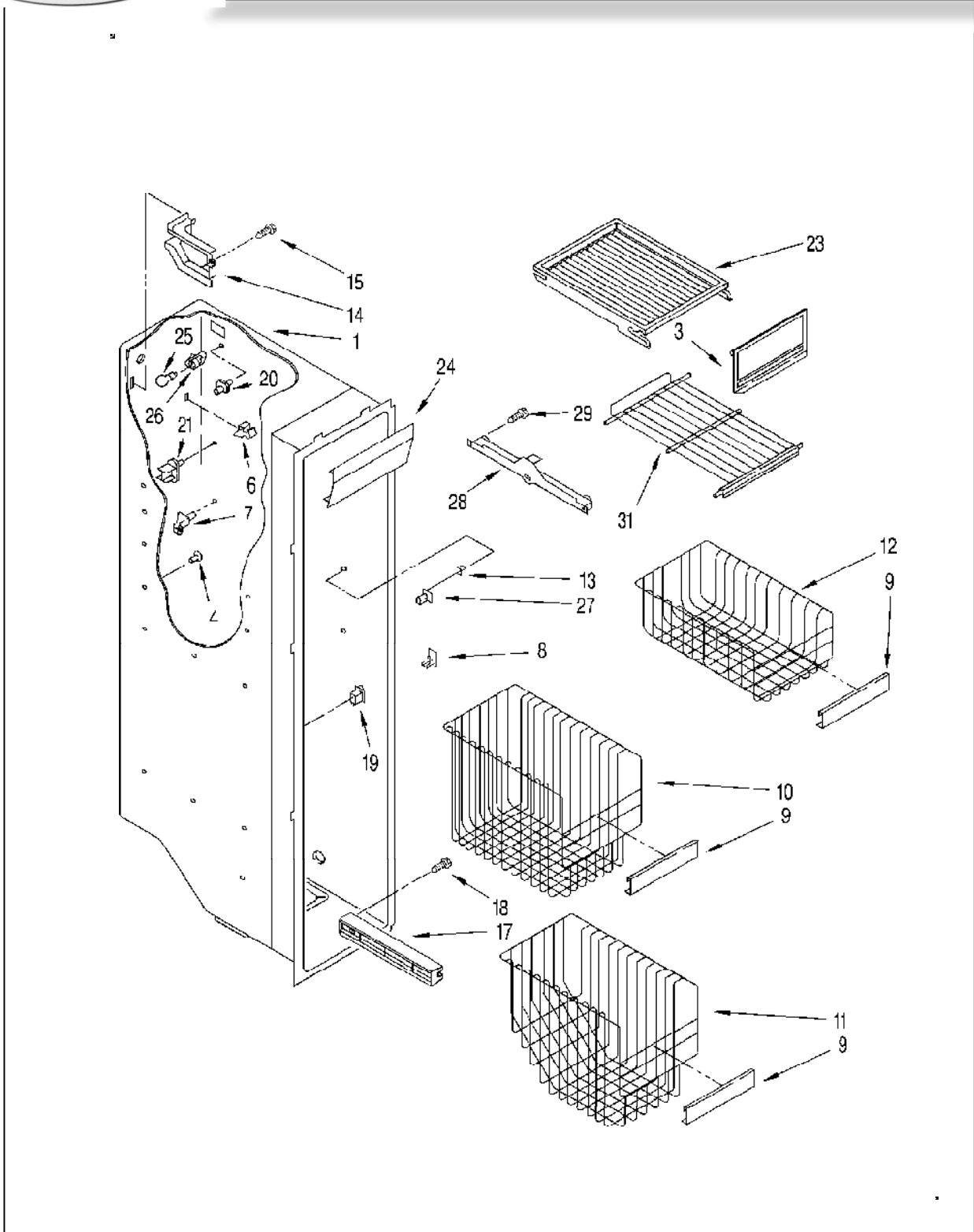
Acros Whirlpool Centro Industrial
Carr. Miguel Alemán Km. 16.695-6
C. P. 66600, Apodaca N. L.

REFRIGERADOR 7ED27DQXFN01



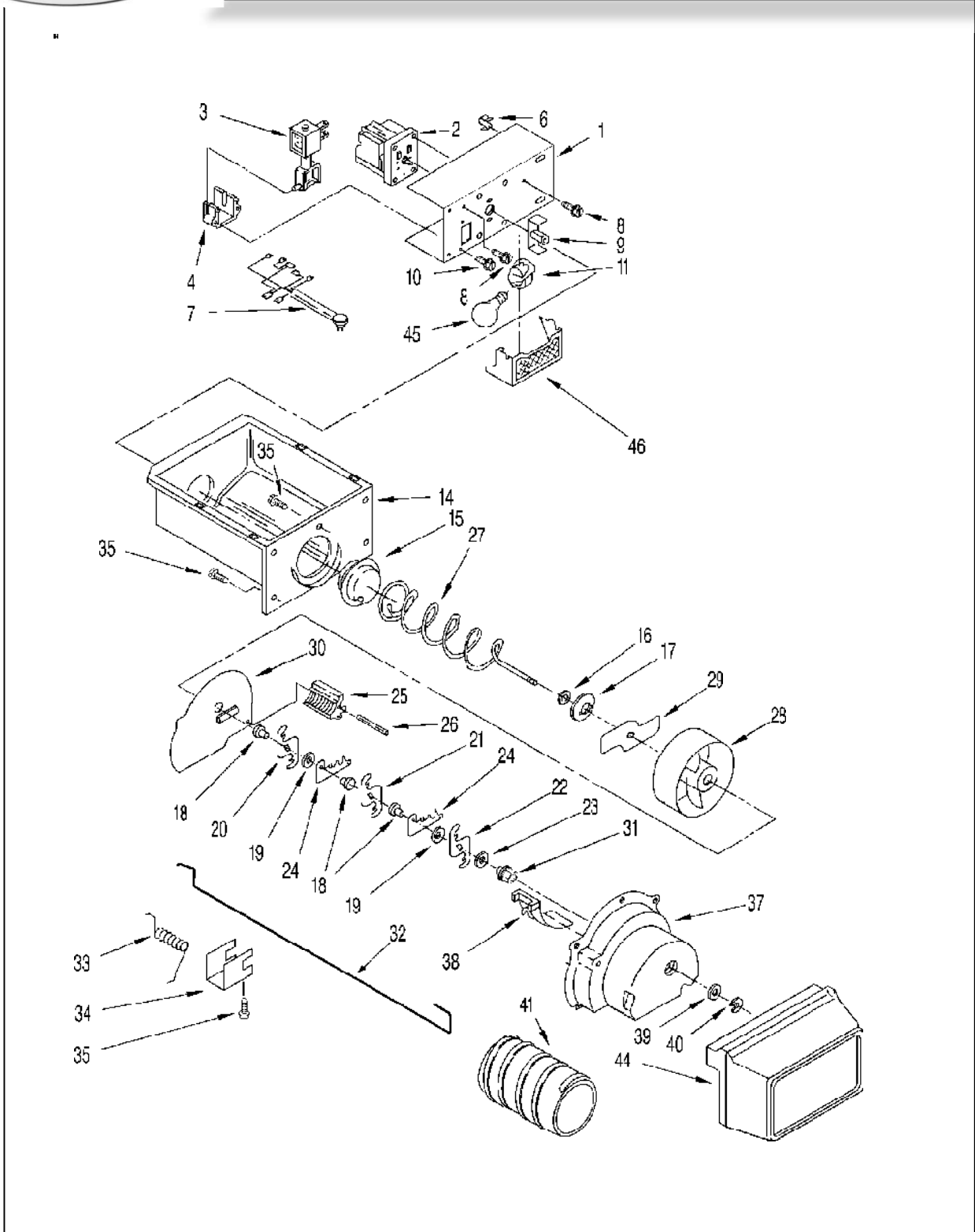
Acros Whirlpool Centro Industrial
 Carr. Miguel Alemán Km. 16.695-6
 C. P. 66600, Apodaca N. L.

REFRIGERADOR 7ED27DQXFN01



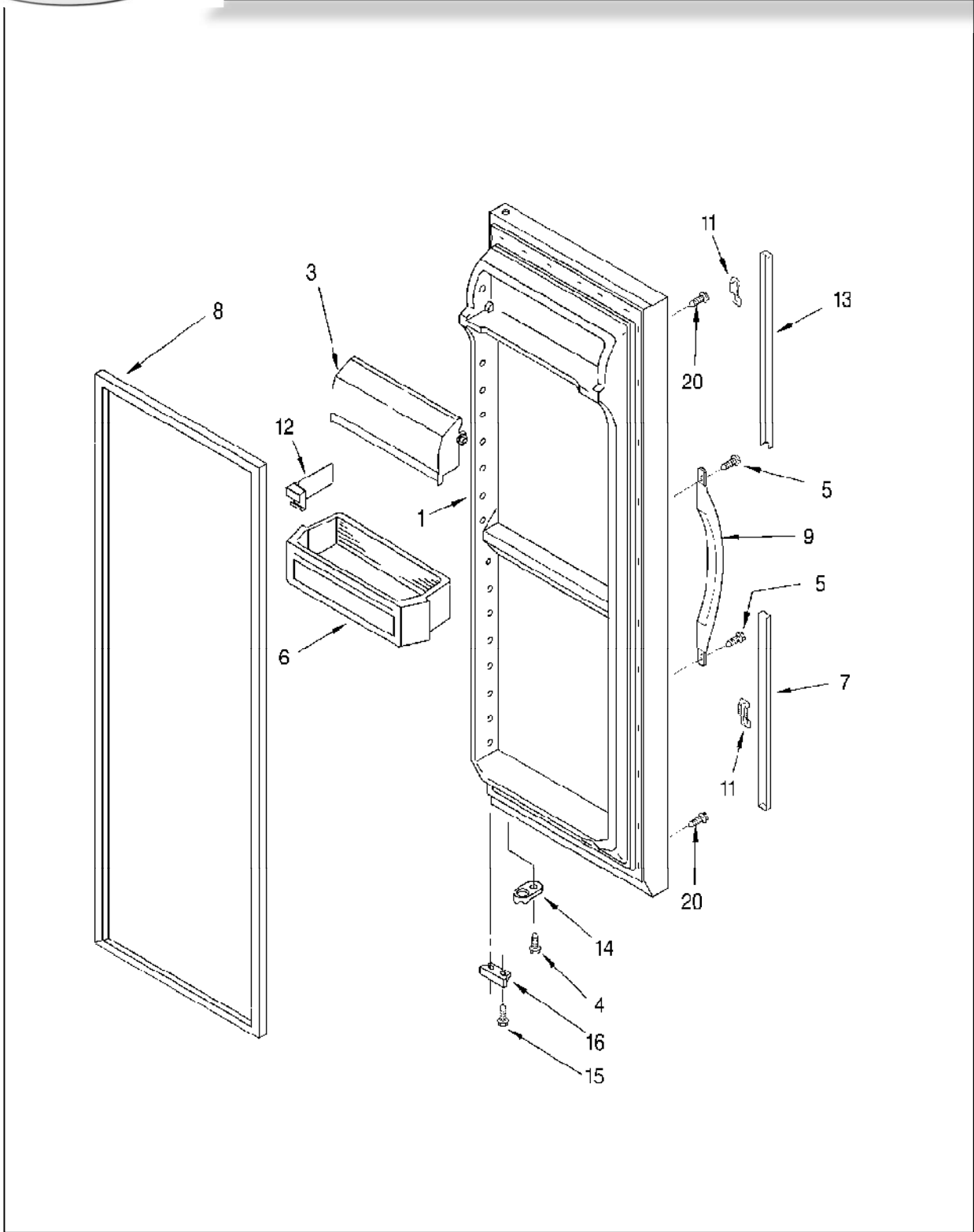
Acros Whirlpool Centro Industrial
Carr. Miguel Alemán Km. 16.695-6
C. P. 66600, Apodaca N. L.

REFRIGERADOR 7ED27DQXFN01

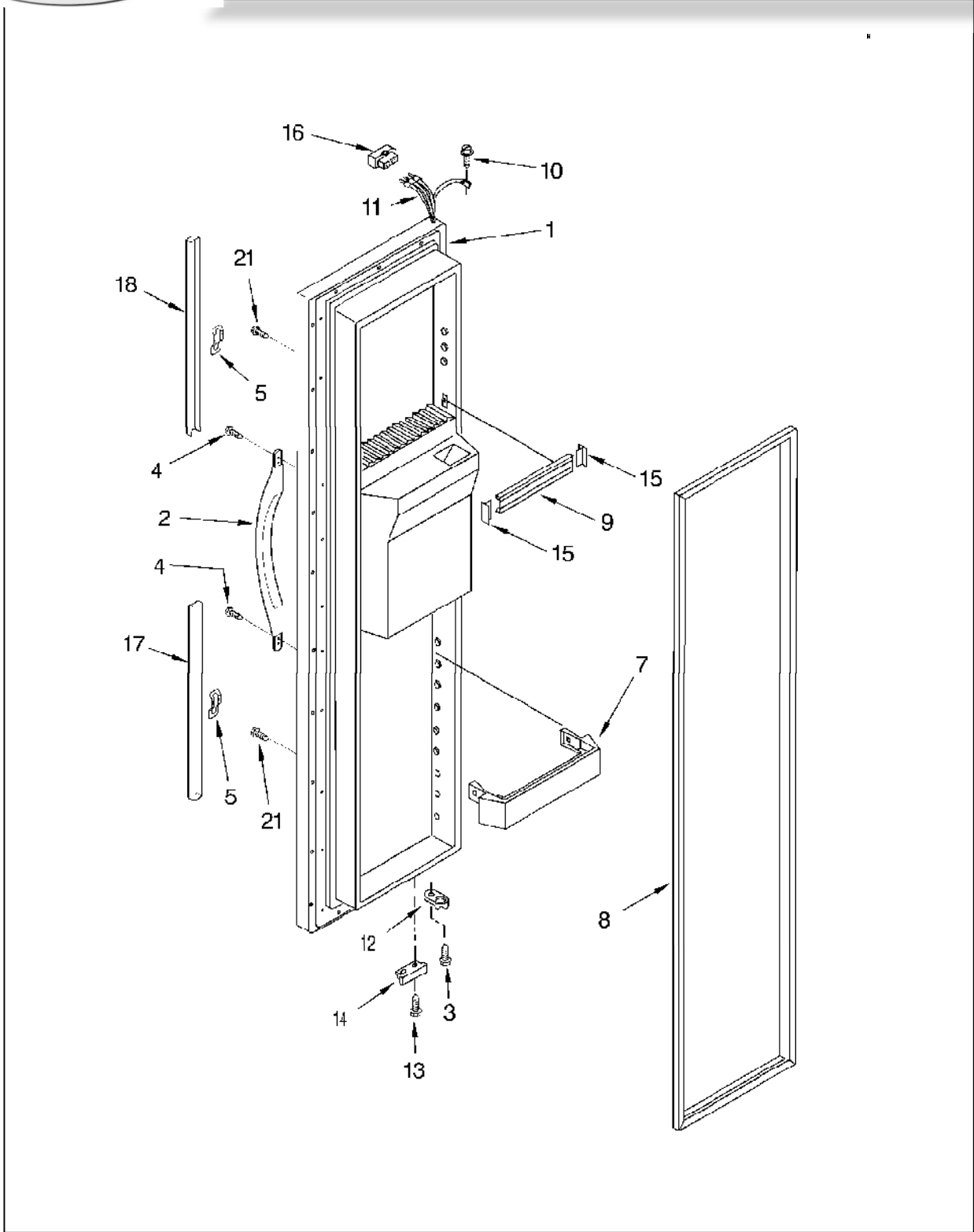


Acros Whirlpool Centro Industrial
 Carr. Miguel Alemán Km. 16.695-6
 C. P. 66600, Apodaca N. L.

REFRIGERADOR 7ED27DQXFN01

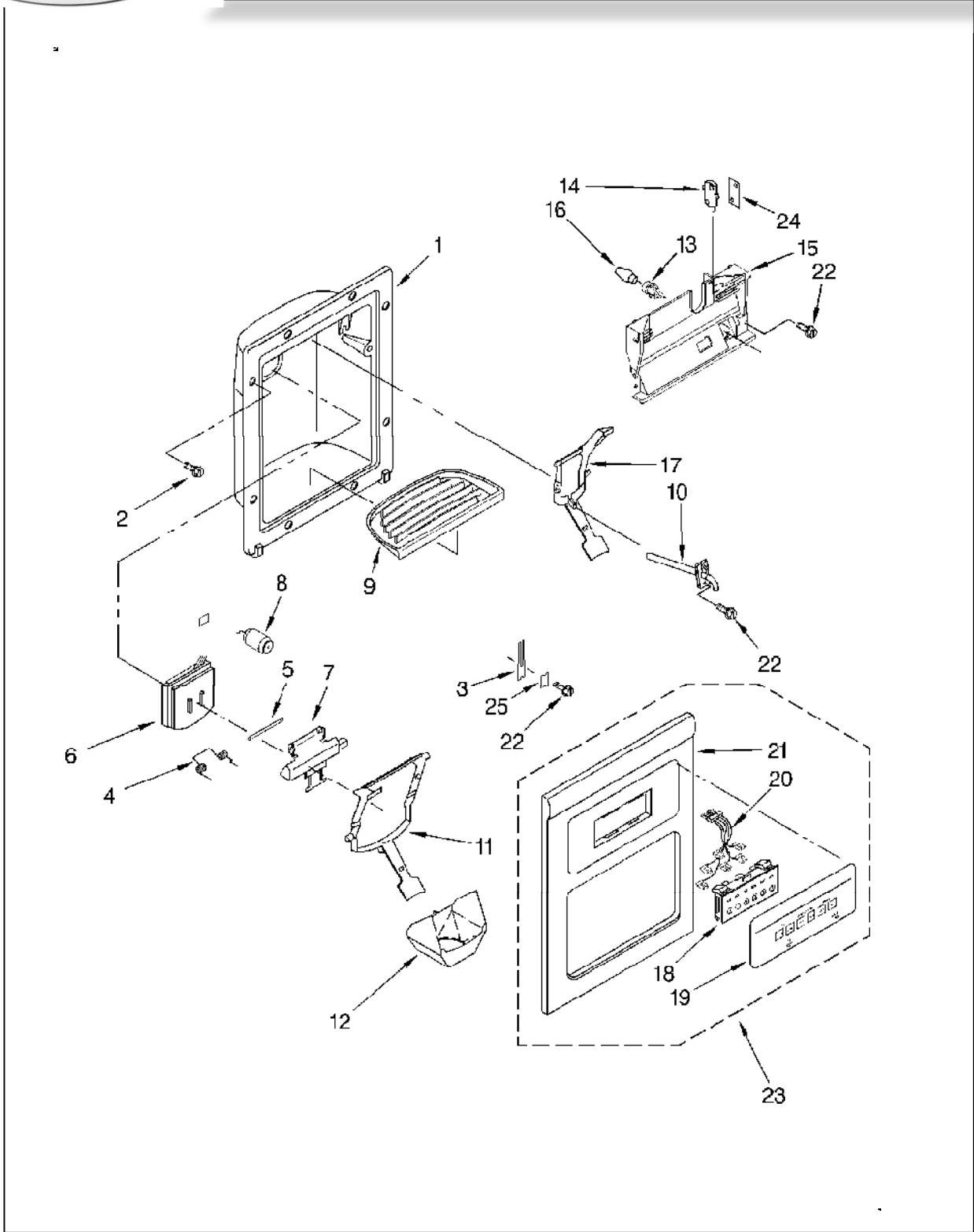


REFRIGERADOR 7ED27DQXFN01



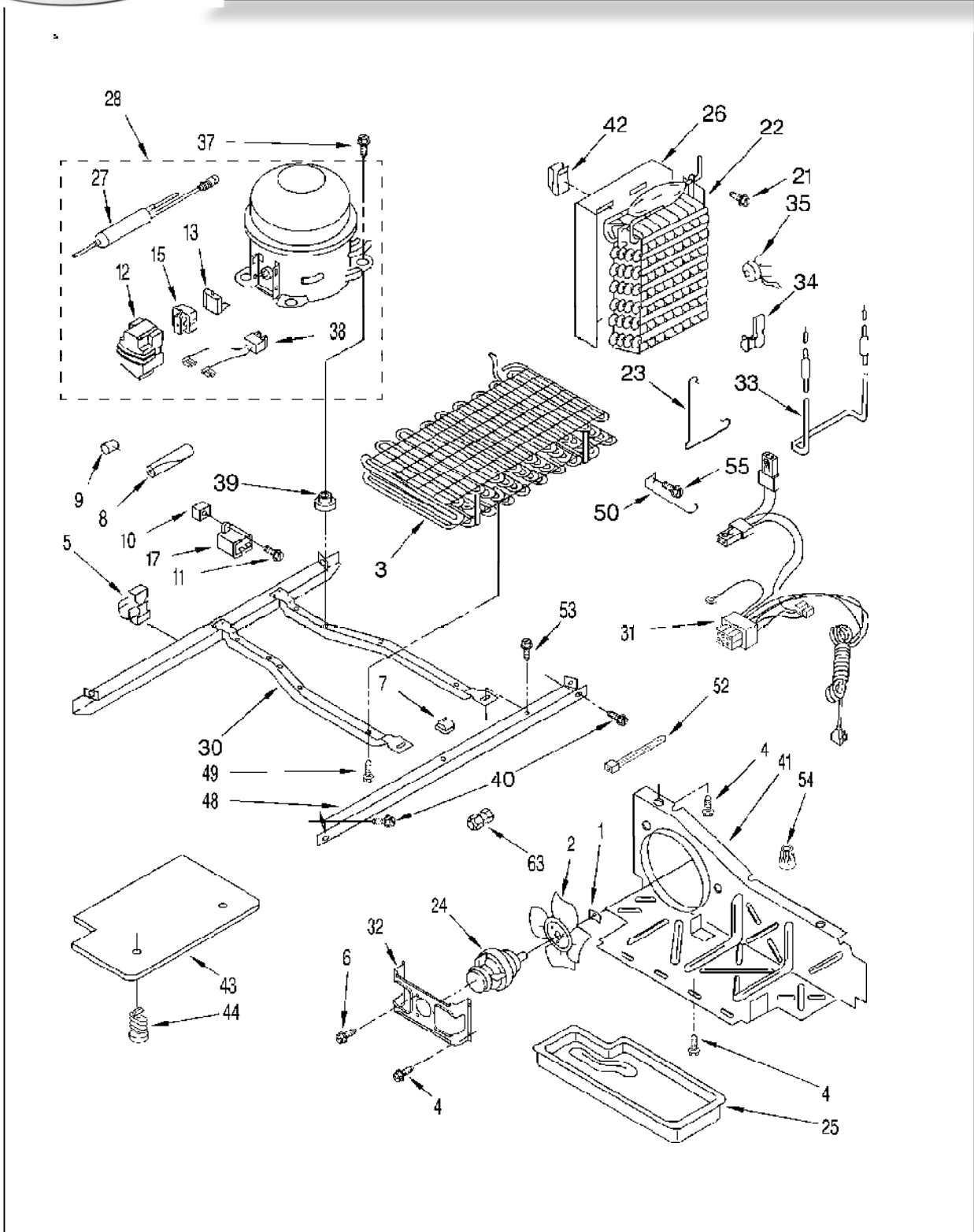
Acros Whirlpool Centro Industrial
 Carr. Miguel Alemán Km. 16.695-6
 C. P. 66600, Apodaca N. L.

REFRIGERADOR 7ED27DQXFN01



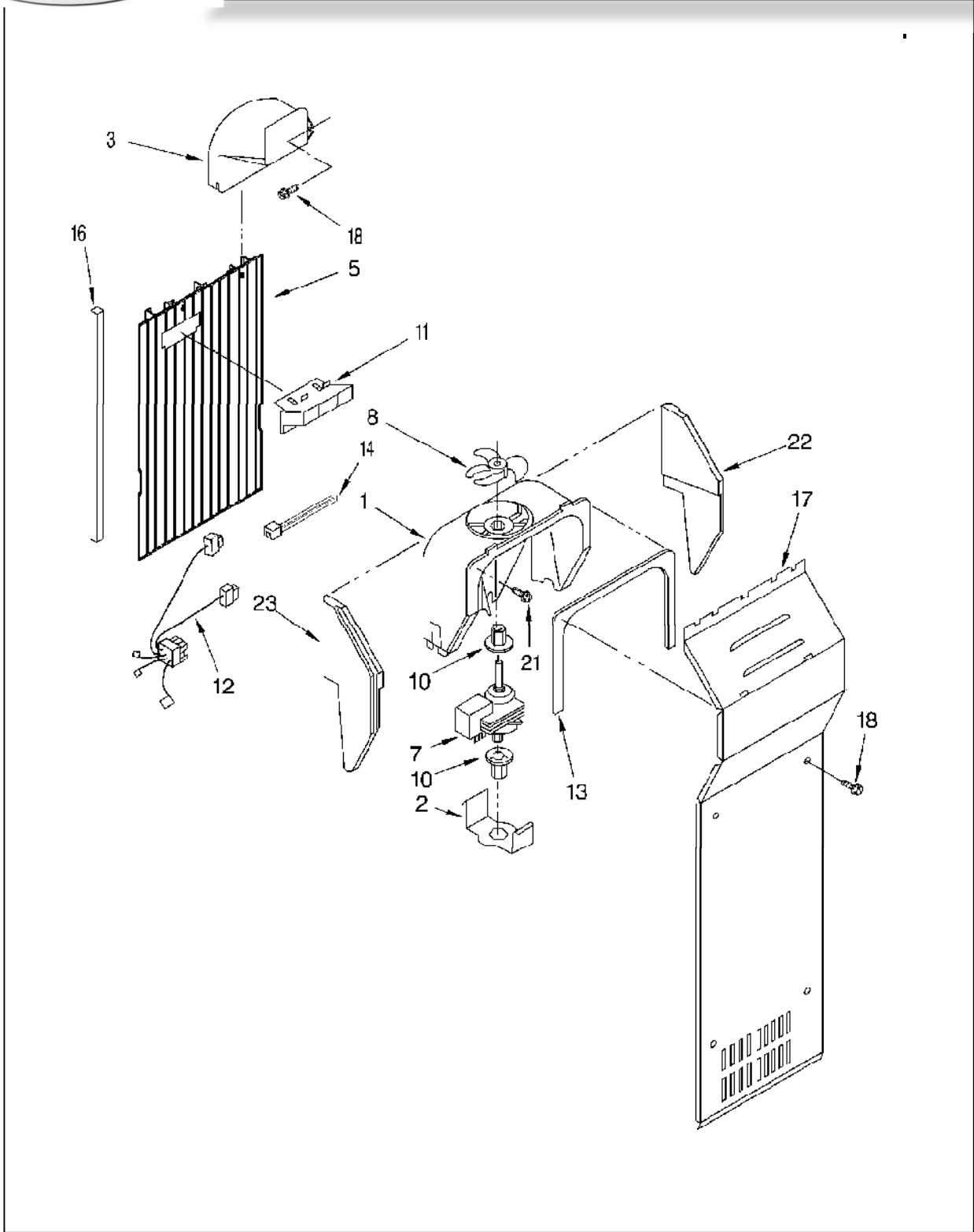
Acros Whirlpool Centro Industrial
 Carr. Miguel Alemán Km. 16.695-6
 C. P. 66600, Apodaca N. L.

REFRIGERADOR 7ED27DQXFN01



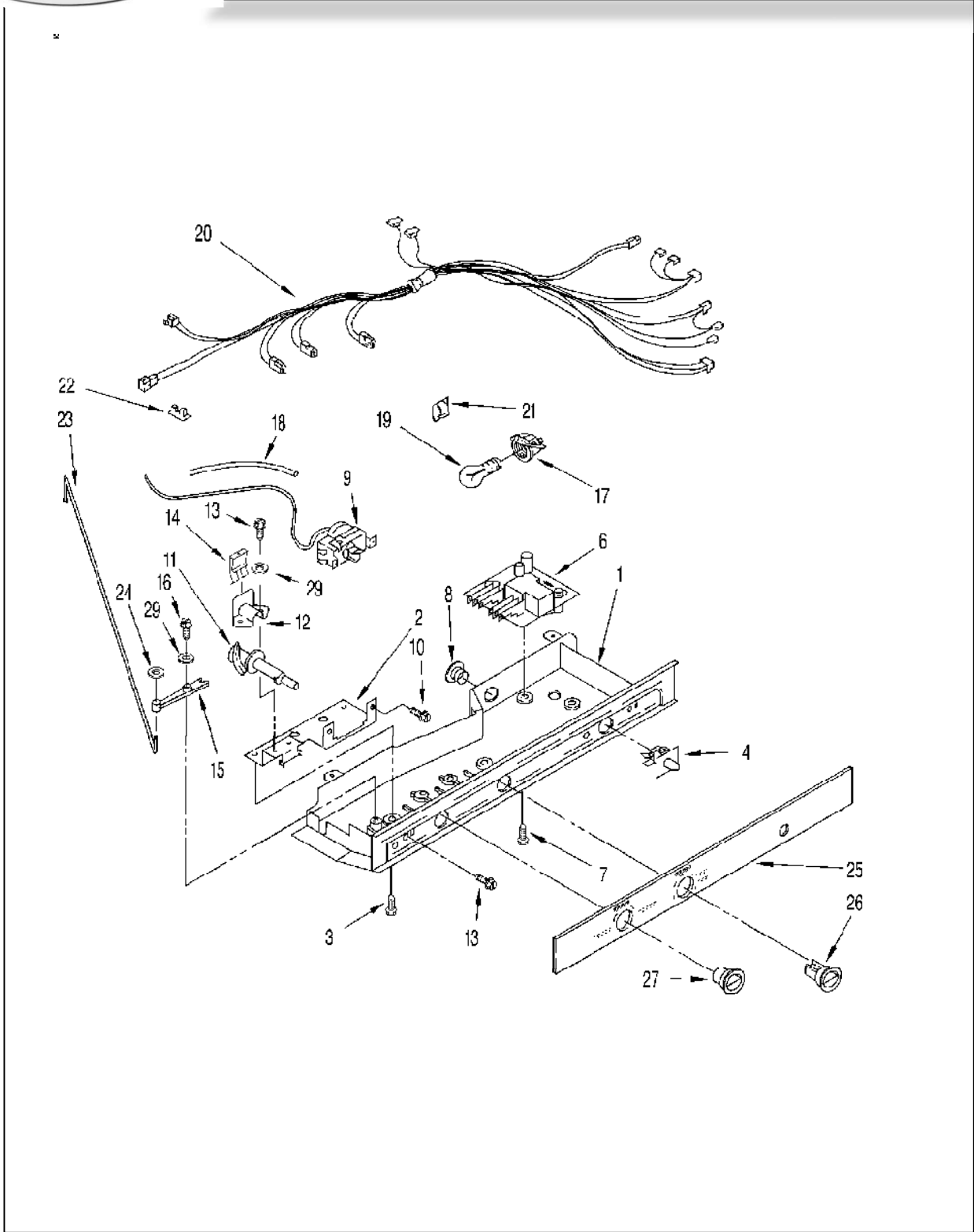
Acros Whirlpool Centro Industrial
 Carr. Miguel Alemán Km. 16.695-6
 C. P. 66600, Apodaca N. L.

REFRIGERADOR 7ED27DQXFN01



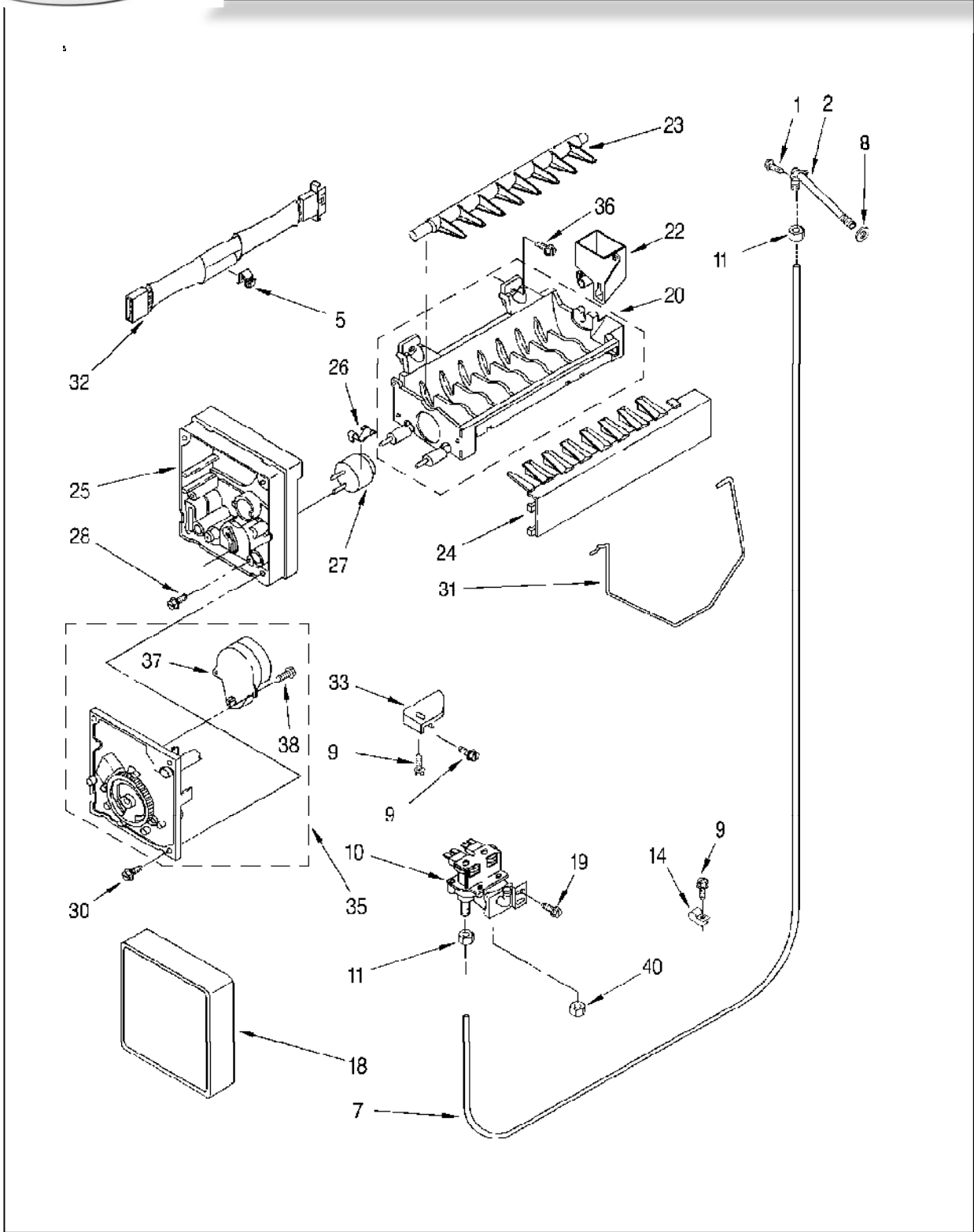
Acros Whirlpool Centro Industrial
Carr. Miguel Alemán Km. 16.695-6
C. P. 66600, Apodaca N. L.

REFRIGERADOR 7ED27DQXFN01



Acros Whirlpool Centro Industrial
Carr. Miguel Alemán Km. 16.695-6
C. P. 66600, Apodaca N. L.

REFRIGERADOR 7ED27DQXFN01



Acros Whirlpool Centro Industrial
 Carr. Miguel Alemán Km. 16.695-6
 C. P. 66600, Apodaca N. L.

Distribuidor Autorizado

SurteRápido.com

Venta de Refacciones
Electrodomesticas

REFRIGERADOR 7ED27DQXFN01

| Marca | | Whirlpool | |
|---------------------------|------------------------------|--------------------|--------------|
| Capacidad | | 27 Ft ³ | |
| Color | | Almendra | |
| R e f | Descripción | C a n t | 7ED27DQXFN01 |
| CABINET | | | |
| 2 | Front Roller (2) | 2 | 2174748 |
| 3 | Screw | 1 | 489456 |
| 4 | Roller (Rear) (2) | 2 | 981122 |
| 5 | Screw | 1 | 489427 |
| 6 | Clip, Grille | 1 | 2155013 |
| 7 | Screw | 1 | 489478 |
| 9 | Shim | 1 | 2156056 |
| 12 | Hinge Top (2) | 2 | 2196046 |
| 13 | Shim, Hinge Top | 1 | 2196048 |
| 14 | Screw | 1 | 489284 |
| 15 | Hinge Cover (White) | 1 | 1129262 |
| | Hinge Cover (Almond) | 1 | 2150343 |
| 16 | Hinge Bottom (2) | 2 | 2171851 |
| 21 | Filler, Wrapper (White) | 1 | 1110708 |
| | Filler, Wrapper (Almond) | 1 | 1110709 |
| 22 | Grille (White) | 1 | 2155486 |
| | Grille (Almond) | 1 | 2155487 |
| 23 | Screw | 1 | 489497 |
| 35 | Screw | 1 | 489464 |
| 41 | Drain Fitting | 1 | 940139 |
| 42 | Extension Tube | 1 | 1108438 |
| 43 | Clip, Drain Tube | 1 | 1108439 |
| 47 | Cover, Unit | 1 | 2176140 |
| 49 | Hinge Cover (White) | 1 | 1119787 |
| | Hinge Cover (Almond) | 1 | 1119789 |
| 52 | Clamp, Service Cord | 1 | 549193 |
| 53 | Screw | 1 | 489084 |
| 54 | Door Closer, Lower Cam (2) | 2 | 2155311 |
| 55 | Screw | 1 | 489483 |
| REFRIGERATOR LINER | | | |
| 2 | Escutcheon, Meat Pan Control | 1 | 2194744 |
| 3 | Slide, Meat Pan Control | 1 | 2182757 |
| 4 | Louver | 1 | 2182147 |
| 5 | Release Valve | 1 | 2171846 |
| 8 | Stud | 1 | 1110718 |
| 9 | Ladder, Shelf | 1 | 2181796 |
| 10 | screw | 1 | 487539 |

Acros Whirlpool Centro Industrial
Carr. Miguel Alemán Km. 16.695-6
C. P. 66600, Apodaca, N. L.

Distribuidor Autorizado

SurteRápido.com

Venta de Refacciones
Electrodomesticas

REFRIGERADOR 7ED27DQXFN01

| Marca | | Whirlpool | |
|--------------------|-----------------------------------|--------------------|--------------|
| Capacidad | | 27 Ft ³ | |
| Color | | Almendra | |
| R e f | Descripción | C a n t | 7ED27DQXFN01 |
| 11 | Screw (2) | 2 | 489290 |
| 16 | Rack, Wine & Egg | 1 | 2179404 |
| 22 | Bracket Retainer | 1 | 1123919 |
| 24 | Air Diffuser Assembly | 1 | 2176173 |
| 25 | Air Diffuser Cover | 1 | 2152019 |
| 26 | Cover, Conduit | 1 | 2150331 |
| 27 | Screw | 1 | 486298 |
| 29 | Socket | 1 | 2162085 |
| 31 | Reservoir | 1 | 2155290 |
| 33 | Light Bulb | 1 | 527949 |
| 34 | Light Lens | 1 | 2174436 |
| 37 | Screw (2) | 1 | 488280 |
| REFRIGERATOR SHELF | | | |
| 1 | Shelf Assembly, Glass Sliding (2) | 2 | 2194736 |
| 2 | Snack Bin | 1 | 2194916 |
| 3 | Cover, Crisper | 1 | 2194578 |
| 4 | Gasket, Cover (Front) | 1 | 2196114 |
| 5 | Glass, Cover | 1 | 2174150 |
| 6 | Glass, Cover | 1 | 2179259 |
| 8 | Cover, Meat Pan | 1 | 2189601 |
| 9 | Frame, Shelf (2) | 2 | 2195975 |
| 10 | Crisper Pan | 1 | 2194914 |
| 11 | Front, Crisper Pan | 1 | 2179343 |
| 12 | Slide, Humidity Control | 1 | 2179342 |
| 13 | Trim, Handle | 1 | 2194913 |
| 14 | Meat Pan | 1 | 2194907 |
| 15 | Egg Bin | 1 | 2182730 |
| 18 | Deflector | 1 | 2179350 |
| 19 | Trim, Handle | 1 | 2194906 |
| 20 | Shelf Stud | 1 | 2172943 |
| 21 | Shelf Stud | 1 | 1110718 |
| 22 | Shelf, Snack Bin | 1 | 2194734 |
| 23 | Shelf, Slide (Side To Side) | 1 | 2194741 |
| 24 | Trim, Handle | 1 | 2179243 |
| 25 | Hook, Shelf | 1 | 2169608 |
| 26 | Screw | 1 | 489419 |
| 27 | Track, Shelf | 1 | 2174422 |
| FREEZER LINER | | | |

Acros Whirlpool Centro Industrial
Carr. Miguel Alemán Km. 16.695-6
C. P. 66600, Apodaca, N. L.

Distribuidor Autorizado

SurteRápido.com

Venta de Refacciones
Electrodomesticas

REFRIGERADOR 7ED27DQXFN01

| Marca | | Whirlpool | |
|-------------------------|--------------------------------|--------------------|--------------|
| Capacidad | | 27 Ft ³ | |
| Color | | Almendra | |
| R e f | Descripción | C a n t | 7ED27DQXFN01 |
| 3 | Door, Ice Compartment | 1 | 2171713 |
| 4 | Grommet | 1 | 2176134 |
| 6 | Clip, Air Duct (2) | 2 | 842534 |
| 7 | Support, Stud (4) | 4 | 1115317 |
| 8 | Stud Rear | 1 | 1106982 |
| 9 | Trim, Basket | 1 | 2195905 |
| 10 | Basket, Tall | 1 | 2181765 |
| 11 | Basket, Slope | 1 | 2181764 |
| 12 | Basket | 1 | 2181763 |
| 13 | Stud, Support | 1 | 946355 |
| 14 | Wiring Cover | 1 | 2155572 |
| 15 | Screw | 1 | 489355 |
| 17 | Slide, Basket (Right Side (3)) | 3 | 2181760 |
| | Slide, Basket (Left Side (3)) | 3 | 2181759 |
| 18 | Screw | 1 | 487042 |
| 19 | Switch, Rocker Arm | 1 | 1115373 |
| 20 | Stud (4) | 4 | 1110718 |
| 21 | Stud, Shelf (4) | 4 | 1115386 |
| 23 | Shelf, Top Compartment | 1 | 2194297 |
| 24 | Light Lens | 1 | 2171705 |
| 25 | Light Bulb | 1 | 527949 |
| 26 | Light Socket | 1 | 2162085 |
| 27 | Stud, Front R.S. | 1 | 946356 |
| | Stud, Rear R.S. | 1 | 1106982 |
| 28 | Slide, Container (Left Side) | 1 | 1119237 |
| | Slide, Container (Right Side) | 1 | 1119293 |
| 29 | Screw | 1 | 489100 |
| 31 | Shelf | 1 | 2174267 |
| MOTOR AND ICE CONTAINER | | | |
| 1 | Bracket, Motor | 1 | 2183726 |
| 2 | Motor, Dispenser | 1 | 2155263 |
| 3 | Soleniod Assembly | 1 | 2152713 |
| 4 | Guide, Solenoid | 1 | 2149100 |
| 6 | Clip, Wiring | 1 | 1115374 |
| 7 | Wiring Assembly, Ice Dispenser | 1 | 2169490 |
| 8 | Screw | 1 | 489399 |
| 9 | Coupling, Motor | 1 | 983663 |
| 10 | Screw | 1 | 489478 |

Acros Whirlpool Centro Industrial
Carr. Miguel Alemán Km. 16.695-6
C. P. 66600, Apodaca, N. L.

Distribuidor Autorizado

SurteRápido.com

Venta de Refacciones
Electrodomesticas

REFRIGERADOR 7ED27DQXFN01

| | | Marca | Whirlpool |
|-------------------|---|------------------|--------------------|
| | | Capacidad | 27 Ft ³ |
| | | Color | Almendra |
| R e f | Descripción | C a n t | 7ED27DQXFN01 |
| 11 | Socket, Light | 1 | 2162085 |
| 14 | Ice Container | 1 | 2196091 |
| 15 | Coupling, Conveyor | 1 | 983668 |
| 16 | Stop, Cone | 1 | 1118480 |
| 17 | Feeder Cone | 1 | 1119074 |
| 18 | Spacer, Step (3) | 3 | 1119005 |
| 19 | Spacer, Flat (2) | 2 | 1119007 |
| 20 | Blade, Rotary | 1 | 1119006 |
| 21 | Blade, Rotary | 1 | 1119012 |
| 22 | Blade, Rotary | 1 | 1119013 |
| 23 | Washer, Plain | 1 | 489235 |
| 24 | Blade, Fixed (2) | 2 | 1119009 |
| 25 | Block, Blade | 1 | 2157405 |
| 26 | Roll Pin | 1 | 489229 |
| 27 | Conveyor | 1 | 2181955 |
| 28 | Drum | 1 | 2171681 |
| 29 | Drive Bar | 1 | 1118470 |
| 30 | Floating Baffle | 1 | 2171682 |
| 31 | Nut, Bearing | 1 | 1119018 |
| 32 | Control Arm | 1 | 2155231 |
| 33 | Spring, Return | 1 | 1119020 |
| 34 | Retainer Clip, Rod | 1 | 1119021 |
| 35 | Screw | 1 | 488886 |
| 37 | Housing, Crusher | 1 | 2180348 |
| 38 | Deflector, Ice | 1 | 1119017 |
| 39 | Washer, Plain | 1 | 489234 |
| 40 | Retainer Ring | 1 | 489236 |
| 41 | Sleeve, Auger | 1 | 2152021 |
| 44 | Front Cover, Ice Container | 1 | 2171708 |
| 45 | Light Bulb | 1 | 527949 |
| 46 | Light Lens, Dispenser | 1 | 2171706 |
| REFRIGERATOR DOOR | | | |
| 1 | Refrigerator Door (Includes Item No.8) (White) | 1 | 2194514W |
| | Refrigerator Door (Includes Item No.8) (Almond) | 1 | 2194514N |
| 3 | Door, Compartment | 1 | 2177105 |
| 4 | Screw | 1 | 3400012 |
| 5 | Screw | 1 | 489491 |
| 6 | Shelf Bin (4) | 4 | 2179608 |

Acros Whirlpool Centro Industrial
Carr. Miguel Alemán Km. 16.695-6
C. P. 66600, Apodaca, N. L.

Distribuidor Autorizado

SurteRápido.com

Venta de Refacciones
Electrodomesticas

REFRIGERADOR 7ED27DQXFN01

| Marca | | Whirlpool | |
|------------------------|--|--------------------|--------------|
| Capacidad | | 27 Ft ³ | |
| Color | | Almendra | |
| R e f | Descripción | C a n t | 7ED27DQXFN01 |
| 7 | Extension, Bottom (White) | 1 | 2194969W |
| | Extension, Bottom (Almond) | 1 | 2194969N |
| 8 | Door Gasket, Magnetic (Service) (Mist Beige) | 1 | 2159075 |
| 9 | Handle, Center (White) | 1 | 2186649W |
| | Handle, Center (Almond) | 1 | 2186649N |
| 11 | Clip (4) | 4 | 2195327 |
| 12 | Divider, Bin | 1 | 2195496 |
| 13 | Extension, Top (White) | 1 | 2194973W |
| | Extension, Top (Almond) | 1 | 2194973N |
| 14 | Door Closer, Upper Cam | 1 | 2182132 |
| 15 | Screw | 1 | 489420 |
| 16 | Bracket, Door Stop (Chrome) | 1 | 2155331 |
| 20 | Screw | 1 | 3400852 |
| FREEZER DOOR | | | |
| 1 | Freezer Door (White) | 1 | 2194512W |
| | Freezer Door (Almond) | 1 | 2194512N |
| 2 | Handle, Center (White) | 1 | 2186649W |
| | Handle, Center (Almond) | 1 | 2186649N |
| 3 | Screw | 1 | 3400012 |
| 4 | Screw | 1 | 489491 |
| 5 | Clip (4) | 4 | 2195327 |
| 7 | Trivet, Shelf (4) | 4 | 2171157 |
| 8 | Door Gasket, Magnetic (Service) (Mist Beige) | 1 | 2159074 |
| 9 | Trim, Door Shelf | 1 | 2195931 |
| 10 | Screw | 1 | 488500 |
| 11 | Wire Harness | 1 | 2183713 |
| 12 | Door Closer, Upper Cam | 1 | 2182132 |
| 13 | Screw | 1 | 489420 |
| 14 | Bracket, Door Stop (Chrome) | 1 | 2155331 |
| 15 | Plug, Trim | 1 | 2156006 |
| 16 | Connector | 1 | 2154473 |
| 17 | Extension, Bottom (White) | 1 | 2194969W |
| | Extension, Bottom (Almond) | 1 | 2194969N |
| 18 | Extension, Top (White) | 1 | 2194973W |
| | Extension, Top (Almond) | 1 | 2194973N |
| 21 | Screw | 1 | 3400852 |
| DISPENSER FRONT | | | |
| 2 | Screw | 1 | 489101 |

Acros Whirlpool Centro Industrial
Carr. Miguel Alemán Km. 16.695-6
C. P. 66600, Apodaca, N. L.

Distribuidor Autorizado

SurteRápido.com

Venta de Refacciones
Electrodomesticas

REFRIGERADOR 7ED27DQXFN01

| Marca | | Whirlpool | |
|-----------|---|--------------------|--------------|
| Capacidad | | 27 Ft ³ | |
| Color | | Almendra | |
| R e f | Descripción | C a n t | 7ED27DQXFN01 |
| 3 | Retainer, Levers | 1 | 2194719 |
| 4 | Spring, Torsion | 1 | 2180209 |
| 5 | Pin | 1 | 2180210 |
| 6 | Door, Ice | 1 | 2180205 |
| 7 | Door Mechanism Assembly | 1 | 2180208 |
| 8 | Mechanism Delay | 1 | 2180223 |
| 9 | Grille, Overflow (White) | 1 | 2180241 |
| | Grille, Overflow (Almond) | 1 | 2180242 |
| 10 | Water Fitting Assembly (Includes Water Tube) | 1 | 2180225 |
| 11 | Lever, Ice Dispenser (White (White Shadow Pad)) | 1 | 2180256 |
| | Lever, Ice Dispenser (Almond (Almond Shadow Pad)) | 1 | 2180257 |
| 12 | Guide, Ice | 1 | 2180224 |
| 13 | Lamp Holder | 1 | 2180200 |
| 14 | Switch (4) | 4 | 2162361 |
| 15 | Bracket, Control | 1 | 2183771 |
| 16 | Bulb, Light | 1 | 3406124 |
| 17 | Lever, Water Dispenser (White Shadow Pad) | 11 | 2180265 |
| | Lever, Water Dispenser (Almond Shadow Pad) | 1 | 2180266 |
| 18 | Switch Assembly (Also Order No.19) | 1 | 2180236 |
| 19 | Overlay, Front Cover (White) | 1 | 2180237 |
| | Overlay, Front Cover (Almond) | 1 | 2180238 |
| 20 | Wire Assembly | 1 | 2180240 |
| 22 | Screw | 1 | 489000 |
| 23 | Front Cover Assembly (White) | 1 | 2180381 |
| | Front Cover Assembly (Almond) | 1 | 2180382 |
| 24 | Spacer, Switch (2) | 2 | 625834 |
| 25 | Strain Relief | 1 | 2195051 |
| UNIT | | | |
| 1 | Speed Nut | 1 | 486692 |
| 2 | Fan, Blade | 1 | 1108179 |
| 3 | Condenser Assembly | 1 | 2198175 |
| 4 | Screw | 1 | 489464 |
| 5 | Clip, Wire | 1 | 2155658 |
| 6 | Screw | 1 | 489099 |
| 7 | Clip, Tube (3) | 3 | 934011 |
| 8 | Sleeve | 1 | 2161302 |
| 9 | Dampener | 1 | 2158826 |
| 10 | Screw Grommet | 1 | 509812 |

Acros Whirlpool Centro Industrial
Carr. Miguel Alemán Km. 16.695-6
C. P. 66600, Apodaca, N. L.

Distribuidor Autorizado

SurteRápido.com

Venta de Refacciones
Electrodomesticas

REFRIGERADOR 7ED27DQXFN01

| | | Marca | Whirlpool |
|-----------------|-------------------------------------|------------------|--------------------|
| | | Capacidad | 27 Ft ³ |
| | | Color | Almendra |
| R e f | Descripción | C a n t | 7ED27DQXFN01 |
| 11 | Screw | 1 | 488687 |
| 12 | Cover | 1 | 2162358 |
| 13 | Overload | 1 | 2183456 |
| 15 | Relay | 1 | 2183454 |
| 17 | Capacitor (Service Compressor Only) | 1 | 4387764 |
| 21 | Screw | 1 | 489478 |
| 22 | Evaporator | 1 | 2164519 |
| 23 | Clamp | 1 | 2161324 |
| 24 | Fan, Motor | 1 | 2176336 |
| 25 | Tray, Evaporator | 1 | 1110674 |
| 26 | Heat Shield | 1 | 2149294 |
| 27 | Drier | 1 | 2164409 |
| 28 | Compressor | 1 | 2183455 |
| | Tube Kit | 1 | 876765 |
| 30 | Unit Mounting Frame | 1 | 2157396 |
| 31 | Unit, Harness | 1 | 2194749 |
| 32 | Fan, Motor Bracket | 1 | 2181929 |
| 33 | Heater, Defrost | 1 | 2188175 |
| 34 | Clip | 1 | 2161330 |
| 35 | Bi-Metal, Defrost | 1 | 2176066 |
| 37 | Screw | 1 | 489373 |
| 38 | Wire, Connector | 1 | 2172890 |
| 39 | Grommet (4) | 4 | 1100826 |
| 40 | Screw | 1 | 489340 |
| 41 | Air Baffle | 1 | 2149128 |
| 42 | Clip, Heat Shield | 1 | 2155547 |
| 43 | Unit Cover, Bottom | 1 | 2182058 |
| 44 | Clip | 1 | 489396 |
| 48 | Unit Mounting Rail | 1 | 1127906 |
| 49 | Screw | 1 | 488624 |
| 50 | Guard, Fan | 1 | 1110663 |
| 52 | Strap | 1 | 2172840 |
| 53 | Screw | 1 | 489427 |
| 54 | Wire Connector | 1 | 227991 |
| 55 | Screw | 1 | 488649 |
| 63 | Union | 1 | 2150347 |
| AIR FLOW | | | |
| 1 | Fan Scroll | 1 | 2182120 |

Acros Whirlpool Centro Industrial
Carr. Miguel Alemán Km. 16.695-6
C. P. 66600, Apodaca, N. L.

Distribuidor Autorizado

SurteRápido.com

Venta de Refacciones
Electrodomesticas

REFRIGERADOR 7ED27DQXFN01

| Marca | | Whirlpool | |
|----------------|---|--------------------|--------------|
| Capacidad | | 27 Ft ³ | |
| Color | | Almendra | |
| R e f | Descripción | C a n t | 7ED27DQXFN01 |
| 2 | Retainer, Fan Motor | 1 | 2155590 |
| 3 | Air Scoop | 1 | 2161231 |
| 5 | Air Duct Freezer | 1 | 2196122 |
| 7 | Fan Motor | 1 | 2149299 |
| 8 | Fan Blade | 1 | 2169142 |
| 10 | Fan Grommet (2) | 4 | 2176759 |
| 11 | Duct, Icemaker | 1 | 2182146 |
| 12 | Harness, Fan Evaporator, And Heater, Bi-Metal | 1 | 2161478 |
| 13 | Gasket Cover | 1 | 2155789 |
| 14 | Wire Tie | 1 | 2172840 |
| 16 | Gasket | 1 | 2155782 |
| 17 | Cover, Evaporator | 1 | 2196144 |
| 18 | Screw | 1 | 489355 |
| 21 | Screw | 1 | 489478 |
| 22 | Support, R.S | 1 | 2161484 |
| 23 | Support, L.S | 1 | 2155766 |
| CONTROL | | | |
| 1 | Control Box | 1 | 2200136 |
| 2 | Mounting Bracket | 1 | 1110629 |
| 3 | Screw (2) | 2 | 489397 |
| 4 | Light Switch | 1 | 2149705 |
| 6 | Adaptive Defrost Control | 1 | 2188159 |
| 7 | Screw (2) | 2 | 489398 |
| 8 | Hole Plug | 1 | 940014 |
| 9 | Thermostat Assembly | 1 | 2198202 |
| 10 | Screw | 1 | 487869 |
| 11 | Cam Assembly | 1 | 2182195 |
| 12 | Bearing Body | 1 | 1110560 |
| 13 | Screw | 1 | 489478 |
| 14 | Clip, Damper Control | 1 | 2196062 |
| 15 | Pivot Arm | 1 | 1110559 |
| 16 | Screw | 1 | 627068 |
| 17 | Light Socket | 1 | 2162085 |
| 18 | Thermostat, Barrier | 1 | 2196001 |
| 19 | Light Bulb | 1 | 527949 |
| 20 | Control Box Harness | 1 | 2195015 |
| 21 | Clip, Wiring | 1 | 1115374 |
| 22 | Clip, Wiring | 1 | 1115375 |

Acros Whirlpool Centro Industrial
Carr. Miguel Alemán Km. 16.695-6
C. P. 66600, Apodaca, N. L.

Distribuidor Autorizado

SurteRápido.com

Venta de Refacciones
Electrodomesticas

REFRIGERADOR 7ED27DQXFN01

| Marca | | Whirlpool | |
|-----------|--|--------------------|--------------|
| Capacidad | | 27 Ft ³ | |
| Color | | Almendra | |
| R e f | Descripción | C a n t | 7ED27DQXFN01 |
| 23 | Connecting Rod | 1 | 1123960 |
| 24 | Fastener, Push-On | 1 | 489285 |
| 25 | Escutcheon, Control Box | 1 | 2194977 |
| 26 | Thermostat knob | 1 | 2197888 |
| 27 | Knob, Air Control | 1 | 2197871 |
| 29 | Spring Washer | 1 | 489203 |
| ICE MAKER | | | |
| 1 | Screw | 1 | 489084 |
| 2 | Fitting, Water Tube | 1 | 2196035 |
| 5 | Clip, Fuse | 1 | 628379 |
| 7 | Tube, Water | 1 | 2181940 |
| 8 | Seal, Gasket | 1 | 1106508 |
| 9 | Screw | 1 | 489478 |
| 10 | Valve, Solenoid | 1 | 2182106 |
| 11 | Nut, Compression | 1 | 627018 |
| 14 | Tube Clamp | 1 | 489385 |
| 18 | Cover | 1 | 2174155 |
| 19 | Screw | 1 | 488649 |
| 20 | Mold & Heater Assembly (Also Order) | 1 | 628228 |
| | Silicone Grease | 1 | 542638 |
| 22 | Cup, Water Fill | 1 | 628356 |
| 23 | Ejector | 1 | 627843 |
| 24 | Ice Striper | 1 | 2182124 |
| 25 | Support | 1 | 2194712 |
| 26 | Retainer, Thermostat | 1 | 627796 |
| 27 | Thermostat (Also Order) | 1 | 628397 |
| | Cement Alumilastic | 1 | 542369 |
| 28 | Screw | 1 | 489322 |
| 30 | Screw | 1 | 489276 |
| 31 | Shut Off Arm | 1 | 2171593 |
| 32 | Harness, Wiring | 1 | 628256 |
| 33 | Bracket | 1 | 628320 |
| 35 | Module Assembly (Includes Items 37 and 38) | 1 | 628399 |
| 36 | Screw | 1 | 488208 |
| 37 | Motor | 1 | 628398 |
| 38 | Screw | 1 | 489136 |
| 40 | Nut, Compression | 1 | 1129179 |
| 100 | Complete Icemaker Assembly | 1 | 4317943 |

Acros Whirlpool Centro Industrial
Carr. Miguel Alemán Km. 16.695-6
C. P. 66600, Apodaca, N. L.