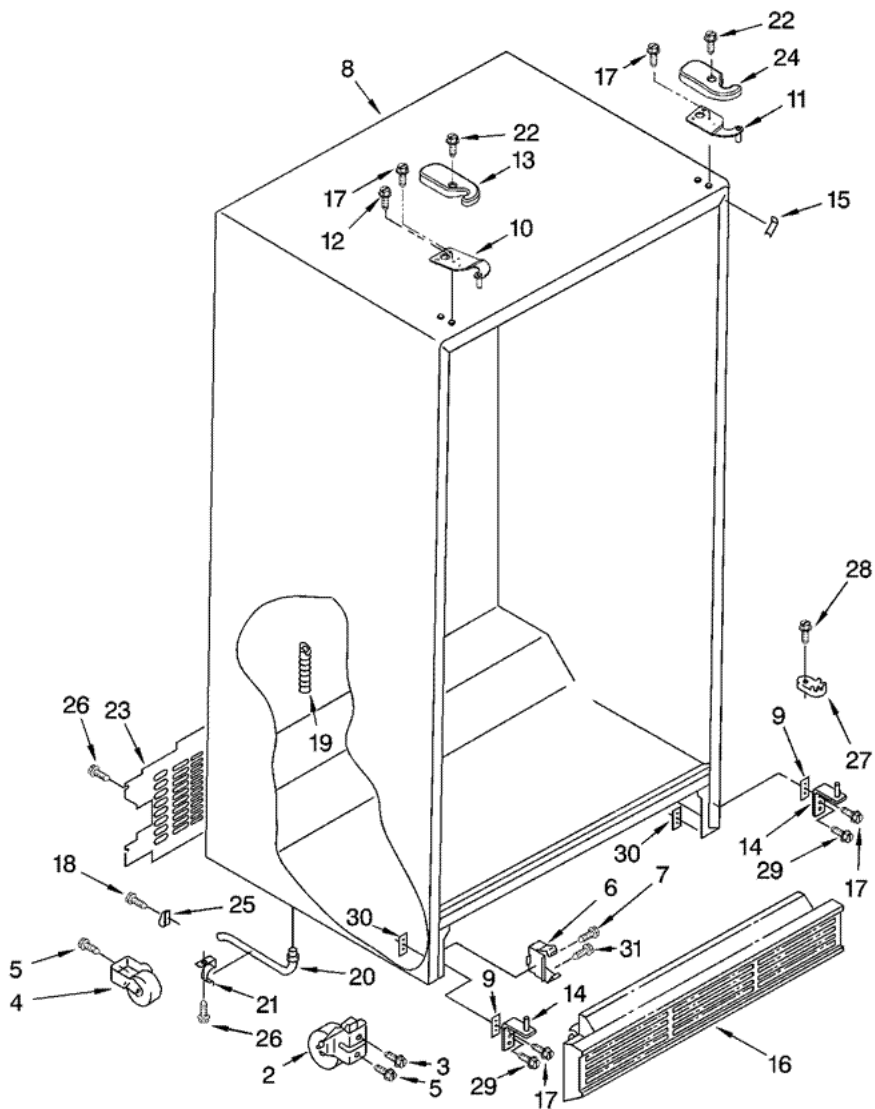


Distribuidor Autorizado

SurteRápido.com

Venta de Refacciones
Electrodomesticas

7ED2GTQXPL00 CABINET





7ED2GTQXPL00 CABINET

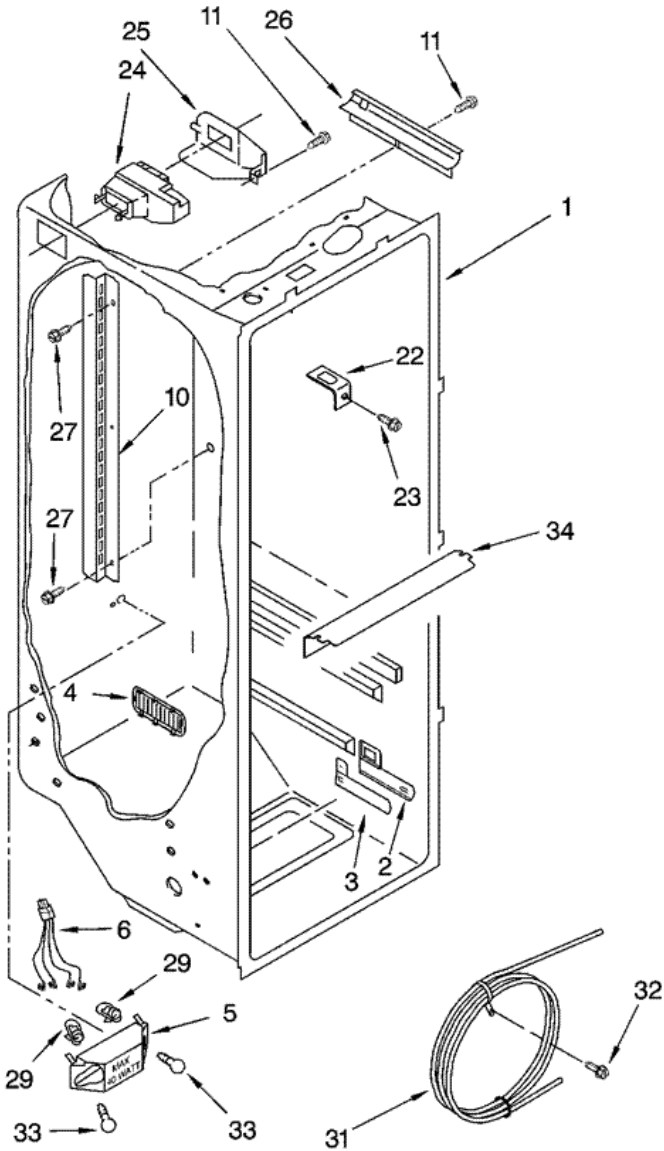
2	4386774	FRONT ROLLER (2)
3	3400517	SCREW (S/P)
4	2196236	ROLLER (REAR) (2) (S/P)
5	489427	SCREW (S/P)
6	2155013	CLIP, GRILLE (S/P)
7	489478	SCREW (S/P)
8	*****	CABINET (NOT A SERVICEABLE PART)
9	2209697	SHIM (S/P)
10	2203770	HINGE TOP, FC (S/P)
11	2203771	HINGE TOP, RC (S/P)
12	8281149	SCREW (S/P)
13	2203407B	HINGE COVER, FC (BLACK) (S/P)
13	2203407W	HINGE COVER, FC (WHITE) (S/P)
14	8201707	HINGE BOTTOM (2) (S/P)
15	2196094	FILLER, WRAPPER (WHITE) (S/P)
15	2196097	FILLER, WRAPPER (BLACK) (S/P)
16	W10283945	GRILLE (WHITE) (S/P)
16	W10283943	GRILLE (BLACK) (S/P)
17	489497	SCREW (S/P)
18	488687	SCREW (S/P)
19	2304888	DRAIN FITTING (S/P)
20	1108438	EXTENSION TUBE (S/P)
21	1108439	CLIP, DRAIN TUBE (S/P)
22	8281227	SCREW (S/P)
23	2188753	COVER, UNIT DESCONTINUADO
24	2203408B	HINGE COVER, RC (BLACK) (S/P)
24	2203408W	HINGE COVER, RC (WHITE) (S/P)
25	596171	CLAMP, SERVICE CORD DESCONTINUADO
26	489084	SCREW (S/P)
27	2155311	DOOR CLOSER, LOWER CAM (2)
28	489483	SCREW (S/P)
29	3400103	SCREW (S/P)
30	2304249	PLATE, SCREW (S/P)

Distribuidor Autorizado

SurteRápido.com

Venta de Refacciones
Electrodomesticas

7ED2GTQXPL00 REFRIGERATOR LINER

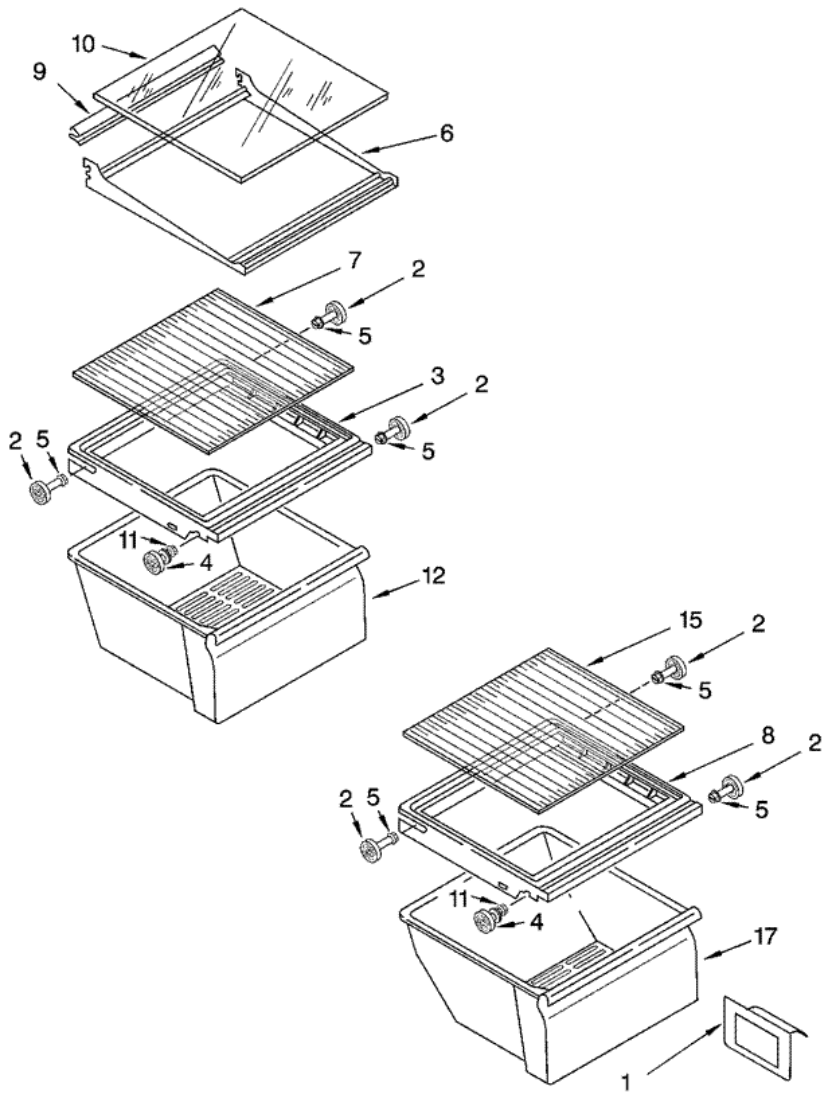




**7ED2GTQXPL00 REFRIGERATOR
LINER**

1	*****	LINER (NOT A SERVICEABLE PART)
2	2194744	ESCUTCHEON, MEAT PAN CONTROL (S/P)
3	2182757	SLIDE MEAT PAN CONTROL (S/P)
4	8201651	LOUVER (S/P)
5	2256035	BRACKET, DUAL CRISPER LIGHTS (S/P)
6	2311637	WIRE HARNESS, DUAL CRISPER LIGHTS (S/P)
10	2206270	LADDER, SHELF (S/P)
11	486298	SCREW (2) (S/P)
22	2256085	BRACKET RETAINER (S/P)
23	489290	SCREW, (2) (S/P)
24	2209753	AIR DIFFUSER ASSEMBLY
25	2152019	AIR DIFFUSER COVER (S/P)
26	2150331	COVER, CONDUIT (S/P)
27	489478	SCREW (S/P)
29	4387478	SOCKET
31	2256126	RESERVOIR (S/P)
32	488280	SCREW (S/P)
33	527949	LIGHT BULB (S/P)
34	2317782	LIGHT LENS (S/P)

**7ED2GTQXPL00 REFRIGERATOR
 SHELF**

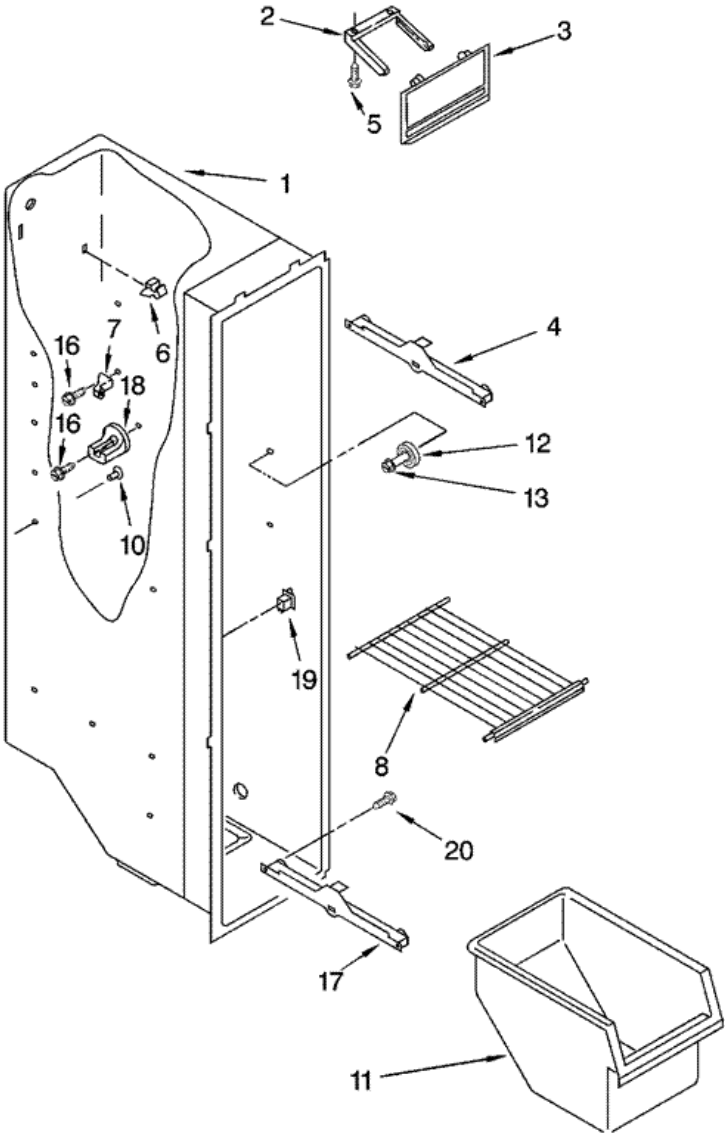




7ED2GTQXPL00 REFRIGERATOR SHELF

1	2179350	DEFLECTOR (S/P)
2	2196483	STUD ASSEMBLY (S/P)
3	W10275293	COVER, CRISPER (S/P)
4	2196485	STUD ASSEMBLY (S/P)
5	8281158	SCREW (S/P)
6	2304542	SHELF ASSEMBLY, CANTILEVER (3) (S/P)
7	2174150	GLASS, CRISPER COVER (S/P)
8	2311726	COVER, MEAT PAN (S/P)
9	1125525	RETAINER, GLASS (S/P)
10	2177986	GLASS (3) (S/P)
11	3400894	SCREW (S/P)
12	2188661	CRISPER PAN (S/P)
15	2179259	GLASS, MEAT COVER (S/P)
17	2188664	MEAT PAN (S/P)

7ED2GTQXPL00 FREEZER LINER





7ED2GTQXPL00 FREEZER LINER

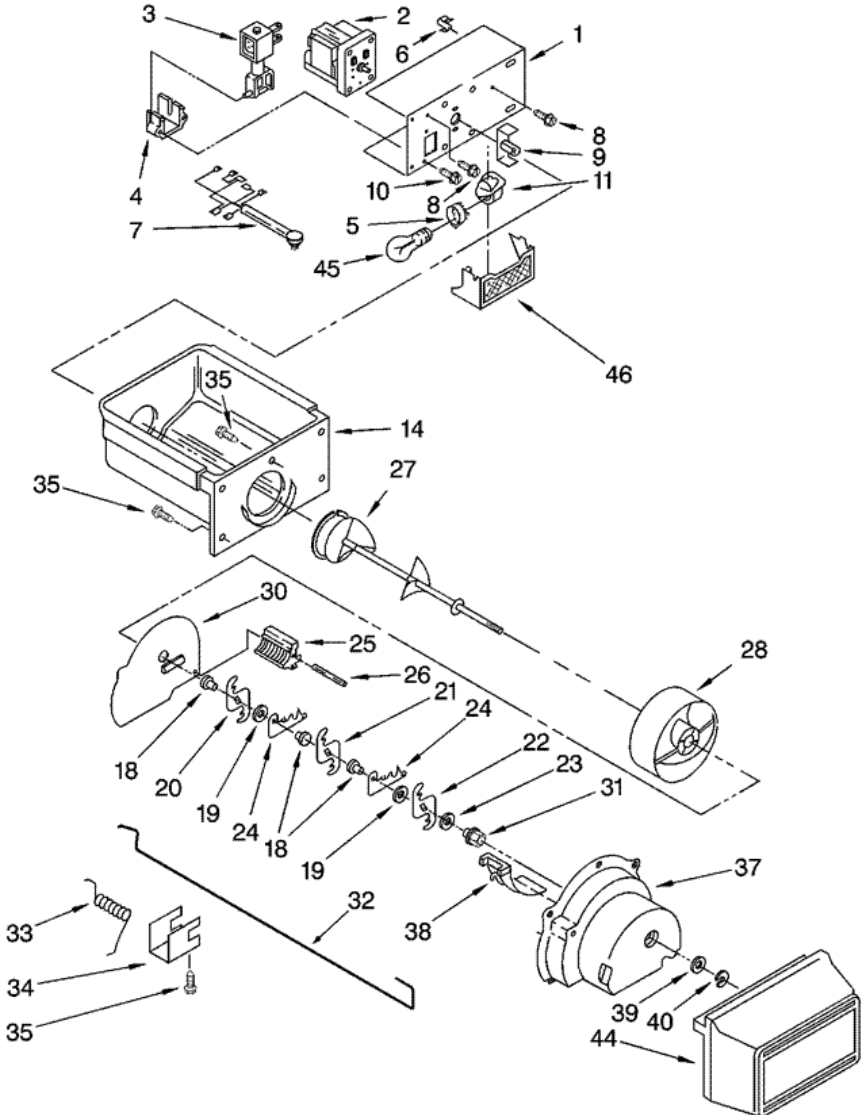
1	*****	LINER (NOT A SEVICEABLE PART)
2	1115380	SLIDE, ICE DOOR (S/P)
3	2171712	DOOR, ICE COMPARTMENT (S/P)
4	1119237	SLIDE, CONTAINER (LEFT SIDE) (S/P)
4	1119293	SLIDE, CONTAINER (RIGHT SIDE)
5	489478	SCREW (S/P)
6	842534	CLIP, AIR DUCT (2) (S/P)
7	939203	SUPPORT, STUD
8	2174249K	SHELF, SMALL (1) (S/P)
8	2174265K	SHELF, LARGE (2) (S/P)
10	2176134	GROMMET (S/P)
11	2216111	BIN, FREEZER (S/P)
12	2196483	STUD ASSEMBLY (S/P)
13	8281158	SCREW (S/P)
16	3400893	SCREW (S/P)
17	2261448	SLIDE, FREEZER BIN (LEFT SIDE) (S/P)
17	2261449	SLIDE, FREEZER BIN (RIGHT SIDE) (S/P)
18	2196207	STUD, REAR (S/P)
19	4387911	SWITCH, ROCKER ARM (S/P)
20	489100	SCREW (S/P)

Distribuidor Autorizado

SurteRápido.com

Venta de Refacciones
Electrodomesticas

7ED2GTQXPL00 MOTOR AND ICE CONTAINER



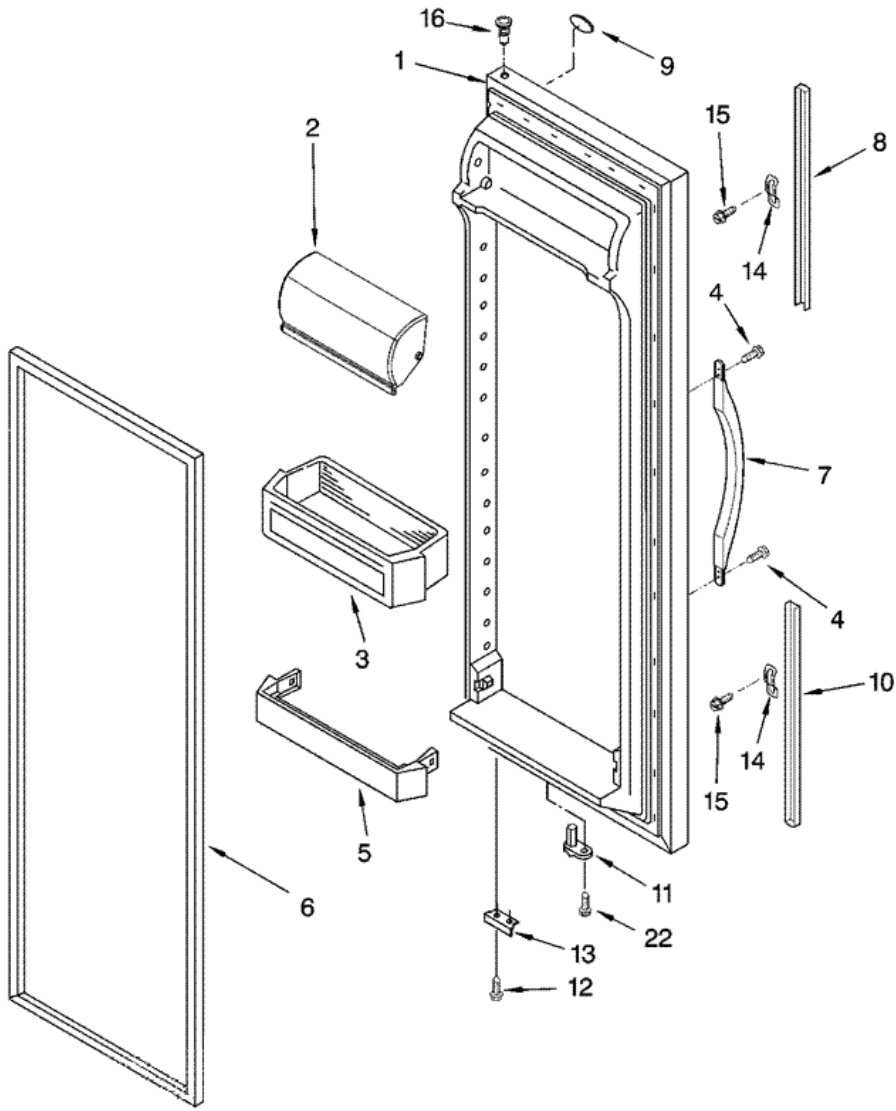


7ED2GTQXPL00 MOTOR AND ICE CONTAINER

1	2254588	BRACKET, MOTOR (S/P)
2	2188242	MOTOR, DISPENSER (S/P)
3	2152713	SOLENIOD ASSEMBLY
4	2149100	GUIDE, SOLENOID (S/P)
5	2175210	SHROUD (S/P)
6	1115374	CLIP, WIRING (S/P)
7	2206501	WIRING ASSEMBLY, ICE DISPENSER (S/P)
8	489399	SCREW (S/P)
9	W10169511	COUPLING, MOTOR (S/P)
10	489478	SCREW (S/P)
11	4387478	SOCKET, LIGHT
14	2196089	ICE CONTAINER
18	1119005	SPACER, STEP (3)
19	1119007	SPACER, FLAT (2)
20	2257022	BLADE, ROTARY
21	2257023	BLADE, ROTARY
22	2257024	BLADE, ROTARY
23	489235	WASHER, PLAIN
24	1119009	BLADE, FIXED (2) (S/P)
25	2157405	BLOCK, BLADE (S/P)
26	489229	ROLL PIN
27	W10422851	AUGER (S/P)
28	4388496	DRUM
30	2171682	FLOATING BAFFLE (S/P)
31	1119018	NUT, BEARING (S/P)
32	2155231	CONTROL ARM (S/P)
33	1119020	SPRING, RETURN (S/P)
34	1119021	RETAINER CLIP, ROD (S/P)
35	488886	SCREW (S/P)
37	W10185018	HOUSING, CRUSHER (S/P)
38	1119017	DEFLECTOR, ICE (S/P)
39	489234	WASHER, PLAIN (S/P)
40	489236	RETAINER RING (S/P)

44	2171709	FRONT COVER, ICE CONTAINER (S/P)
45	527949	LIGHT BULB (S/P)
46	2171706	LIGHT LENS, DISPENSER (S/P)

**7ED2GTQXPL00 REFRIGERATOR
DOOR**





7ED2GTQXPL00 REFRIGERATOR DOOR

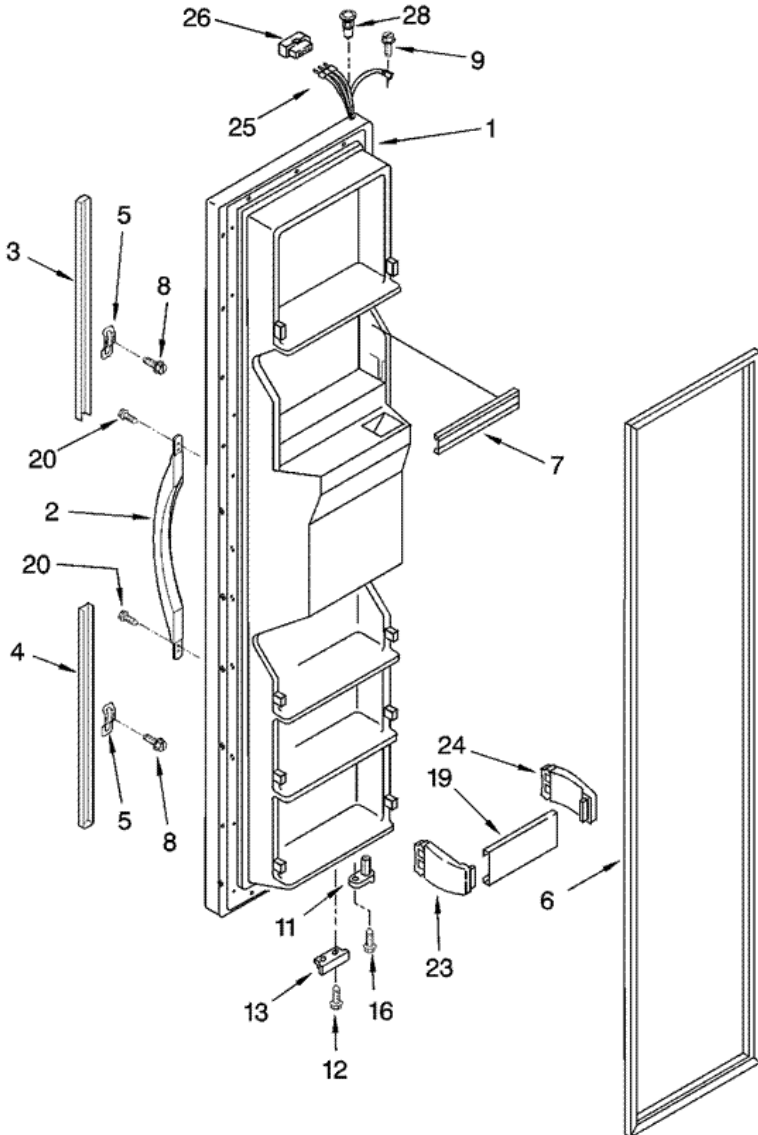
1	L2206716W	REFRIGERATOR DOOR (WHITE) (S/P)
1	L2206716L	REFRIGERATOR DOOR (S/P)
2	2256101	DOOR, COMPARTMENT (S/P)
3	2187172	DOOR BIN (3)
4	489491	SCREW (S/P)
5	2177962K	TRIVET (S/P)
6	2159081	DOOR, GASKET MAGNETIC (BLACK) (S/P)
6	2159073	DOOR, GASKET MAGNETIC (MIST BEIGE) (S/P)
7	2186649W	HANDLE, CENTER (WHITE) (S/P)
7	2186649B	HANDLE, CENTER (BLACK) (S/P)
8	2194971W	TRIM, TOP HANDLE (WHITE) (S/P)
8	2194971B	TRIM, TOP HANDLE (BLACK) (S/P)
9	2255121	NAMEPLATE (S/P)
10	2194969W	TRIM, BOTTOM HANDLE (WHITE) (S/P)
10	2194969B	TRIM, BOTTOM HANDLE (BLACK) (S/P)
11	2182179	DOOR CLOSER, UPPER CAM (S/P)
12	489420	SCREW (S/P)
13	2206629	BRACKET, DOOR STOP (CHROME) (S/P)
13	2206629B	BRACKET, DOOR STOP (BLACK) (S/P)
14	2195327	CLIP (S/P)
15	3400852	SCREW (S/P)
16	2182181	THIMBLE-TOP (S/P)
22	3400012	SCREW (S/P)

Distribuidor Autorizado

SurteRápido.com

Venta de Refacciones
Electrodomesticas

7ED2GTQXPL00 FREEZER DOOR





7ED2GTQXPL00 FREEZER DOOR

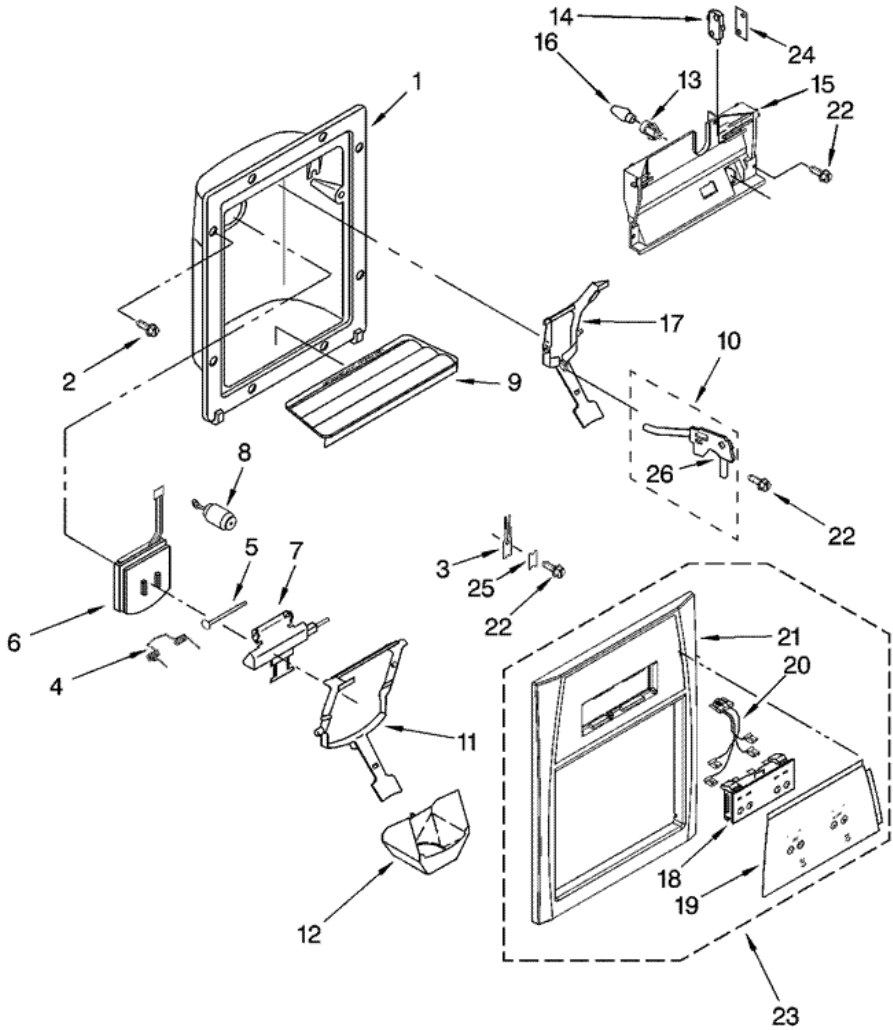
1	L2255742L	FREEZER DOOR (STAINLESS-VCM) (S/P)
1	L2255742W	FREEZER DOOR (WHITE) (S/P)
2	2186649B	HANDLE, CENTER (BLACK) (S/P)
2	2186649W	HANDLE, CENTER (WHITE) (S/P)
3	2194971W	TRIM, TOP HANDLE (WHITE) (S/P)
3	2194971B	TRIM, TOP HANDLE (BLACK) (S/P)
4	2194969B	TRIM, BOTTOM HANDLE (BLACK) (S/P)
4	2194969W	TRIM, BOTTOM HANDLE (WHITE) (S/P)
5	2195327	CLIP (S/P)
6	2159080	DOOR, GASKET MAGNETIC (BLACK) (S/P)
6	2159072	DOOR, GASKET MAGNETIC (MIST BEIGE) (S/P)
7	W10307490	TRIM, DOOR SHELF (S/P)
8	3400852	SCREW (S/P)
9	8281149	SCREW (S/P)
11	2182179	DOOR CLOSER, UPPER CAM (S/P)
12	489420	SCREW (S/P)
13	2206629	BRACKET, DOOR STOP (CHROME) (S/P)
13	2206629B	BRACKET, DOOR STOP (BLACK) (S/P)
16	3400012	SCREW (S/P)
19	2195919K	DOOR, SHELF (4) (S/P)
20	489491	SCREW (S/P)
23	2195917K	END CAP (LEFT) (S/P)
24	2195916K	END CAP (RIGHT) (S/P)
25	2311642	WIRE ASSEMBLY (S/P)
26	2154473	CONNECTOR (S/P)
28	2182181	THIMBLE-TOP (S/P)

Distribuidor Autorizado

SurteRápido.com

Venta de Refacciones
Electrodomesticas

7ED2GTQXPL00 DISPENSER FRONT





7ED2GTQXPL00 DISPENSER FRONT

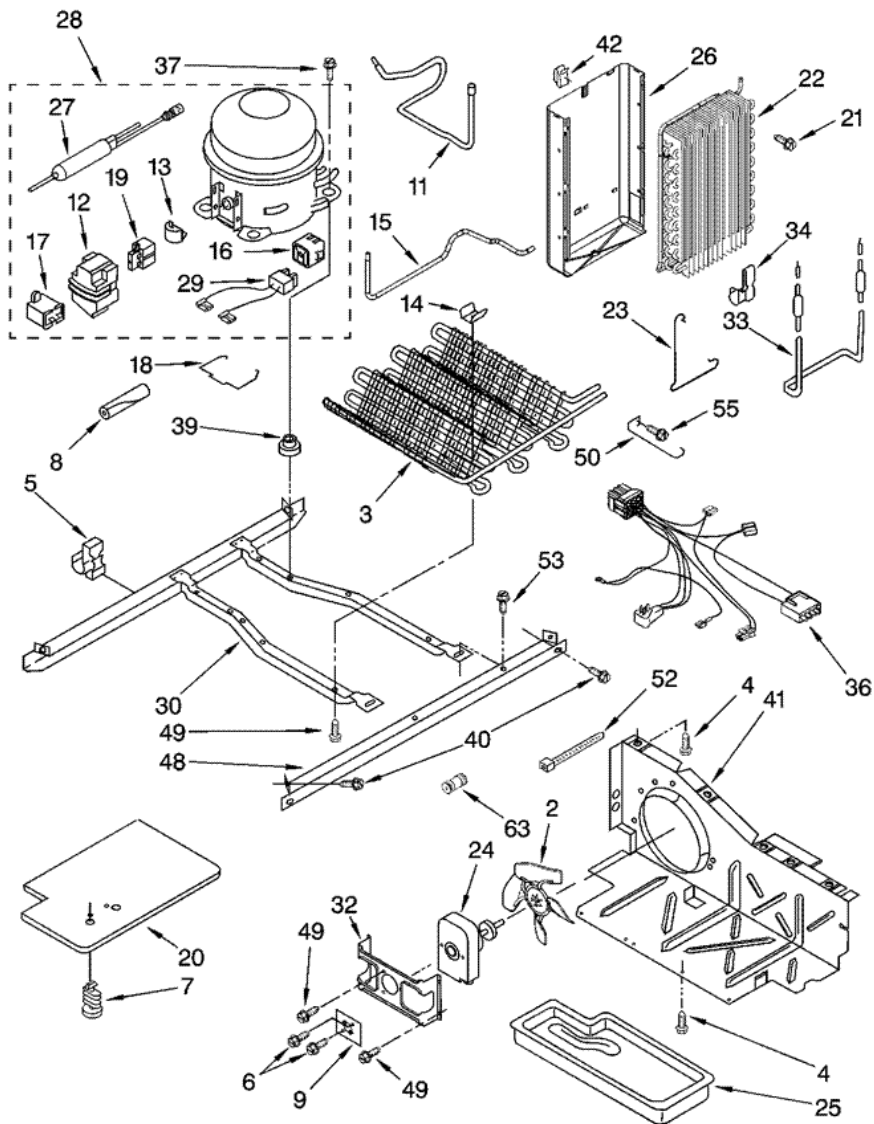
1	*****	HOUSING, DISPENSER (NOT SERVICED)
2	3196537	SCREW (S/P)
3	2194719	RETAINER, LEVERS
4	W10224328	SPRING, TORSION (S/P)
5	2196195	PIN (S/P)
6	2180353	DOOR, ICE
7	8201649	DOOR MECHANISM ASSEMBLY
8	8201649	MECHANISM DELAY
9	2206671B	GRILLE, OVERFLOW (BLACK) (S/P)
9	2206671W	GRILLE, OVERFLOW (WHITE) (S/P)
10	8201537	WATER FITTING ASSEMBLY (INCLUDES WATER TUBE)
11	2255431B	LEVER, ICE DISPENSER (BLACK) (S/P)
11	2255431W	LEVER, ICE DISPENSER (WHITE) (S/P)
12	2180224	GUIDE, ICE
13	2180200	LAMP HOLDER (S/P)
14	2162361	SWITCH (4) (S/P)
15	2180226	BRACKET, CONTROL
16	22002263	BULB, LIGHT (S/P)
17	2255432B	LEVER, WATER DISPENSER (BLACK) (S/P)
17	2255432W	LEVER, WATER DISPENSER (WHITE) (S/P)
18	*****	SWITCH ASSEMBLY (NOT AVAILBLE, ORDER 23)
19	*****	OVERLAY, FRONT COVER (ORDER 23)
20	2187408	WIRE ASSEMBLY (S/P)
21	*****	FRONT COVER, HOUSING (ORDER 23)
22	489000	SCREW (S/P)
23	2255741W	FRONT COVER ASS. (WHITE) (S/P)
23	2255741B	FRONT COVER ASSE. (BLACK) (S/P)
24	625834	SPACER, SWITCH (2) (S/P)
25	2195051	STRAIN RELIEF (S/P)
26	2304673	BRACKET, DISPENSER (S/P)

Distribuidor Autorizado

SurteRápido.com

Venta de Refacciones
Electrodomesticas

7ED2GTQXPL00 UNIT





7ED2GTQXPL00 UNIT

2	8201630	FAN, BLADE (S/P)
3	W10121484	CONDENSER ASSEMBLY (S/P)
4	489464	SCREW (S/P)
5	2208280	CLIP, WIRE (S/P)
6	8281160	SCREW (S/P)
7	489396	CLIP (S/P)
8	2162499	SLEEVE (S/P)
9	2216997	INSERT, BRACKET (S/P)
11	2220642	TUBE SUCTION (S/P)
12	2162358	COVER (SERVICE ONLY) (S/P)
13	2187145	OVERLOAD (SERVICE ONLY) (S/P)
14	2216914	CLIP, CONDENSER (S/P)
15	2261599	TUBE, CONDENSER TO HEAT LOOP (S/P)
16	2188831	START-DEVICE, COMBINATION (S/P)
17	2255130	CAPACITOR (PRODUCTION)
17	2169373	CAPACITOR (SERVICE)
18	2255009	STRAP, BALE (S/P)
19	2262185	RELAY (SERVICE ONLY)
20	2182057	UNIT COVER, BOTTOM (S/P)
21	489478	SCREW (S/P)
22	2188822	EVAPORATOR (S/P)
23	2161324	CLAMP (S/P)
24	W10124096	FAN, MOTOR (S/P)
25	842041	TRAY, EVAPORATOR (S/P)
26	2256149	HEAT SHIELD (S/P)
27	4387019	DRIER (SERVICE) (S/P)
27	4387019	DRIER (PRODUCTION) (S/P)
28	W10309990	COMPRESSOR (S/P)
29	2172890	WIRE, CAPACITOR (SERVICE ONLY) (S/P)
30	2304903	UNIT MOUNTING FRAME (S/P)
32	2181929	FAN, MOTOR BRACKET (S/P)
33	2188174	HEATER, DEFROST (S/P)
34	2161330	CLIP DESCONTINUADO

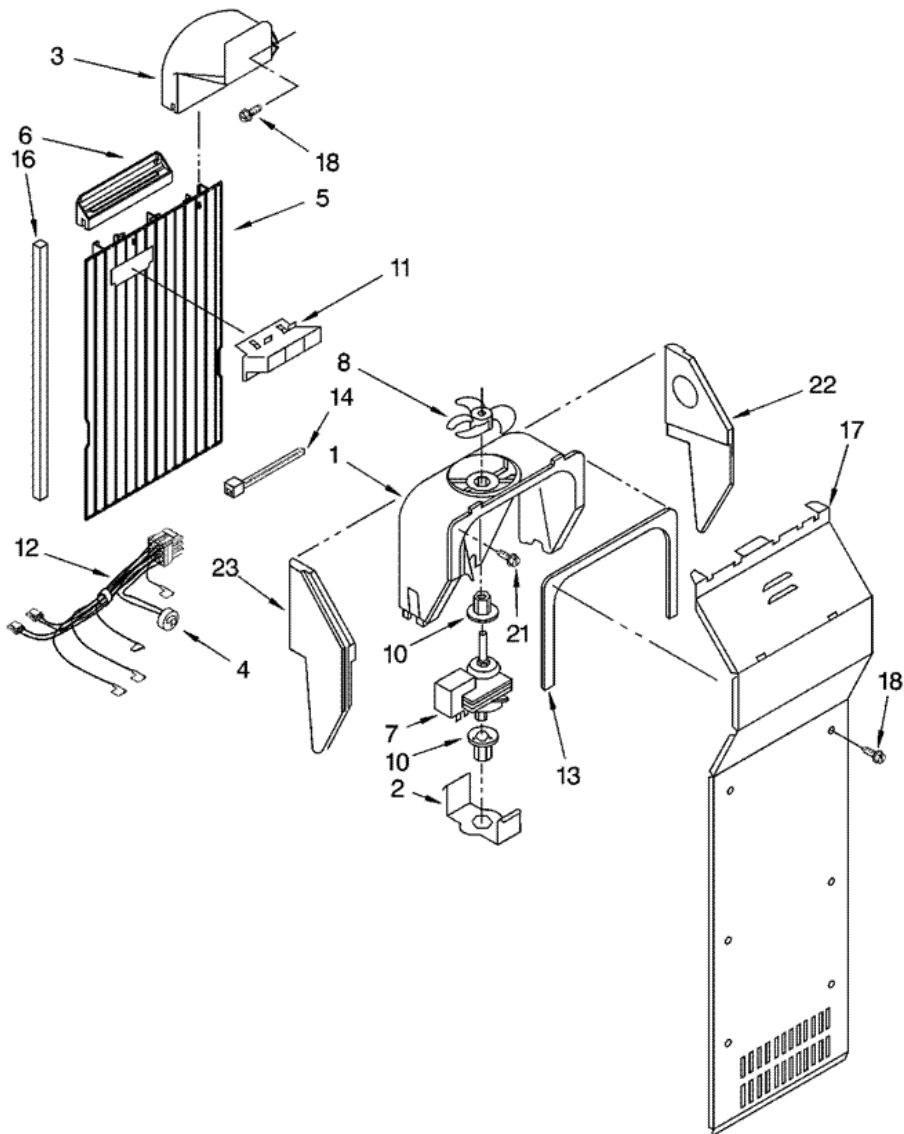
36	2187605	UNIT, HARNESS (S/P)
37	4388295	SCREW (S/P)
39	5388295	GROMMET (4) (PRODUCTION) (S/P)
39	4387558	GROMMET (4) (SERVICE) (S/P)
40	489340	SCREW (S/P)
41	2196202	AIR BAFFLE (S/P)
42	2155547	CLIP, HEAT SHIELD DESCONTINUADO
48	2149718	UNIT MOUNTING RAIL (S/P)
49	8281232	SCREW (S/P)
50	1105612	GUARD, FAN (S/P)
52	W10339879	STRAP (S/P)
53	489427	SCREW (S/P)
55	488649	SCREW (S/P)
63	978025	VALVE, ACCESS (1/4``) (S/P)
63	978027	VALVE, ACCESS (3/8``) (S/P)
63	978028	VALVE, ACCESS (1/2``) (S/P)
63	876764	VALVE, ACCESS (3/16``) (S/P)
63	978026	VALVE, ACCESS (5/16``) (S/P)
63	978029	VALVE, ACCESS (5/8``) (S/P)
63	978030	VALVE, ACCESS (3/4``) (S/P)
63	4373559	UNION (S/P)

Distribuidor Autorizado

SurteRápido.com

Venta de Refacciones
Electrodomesticas

7ED2GTQXPL00 AIR FLOW





7ED2GTQXPL00 AIR FLOW

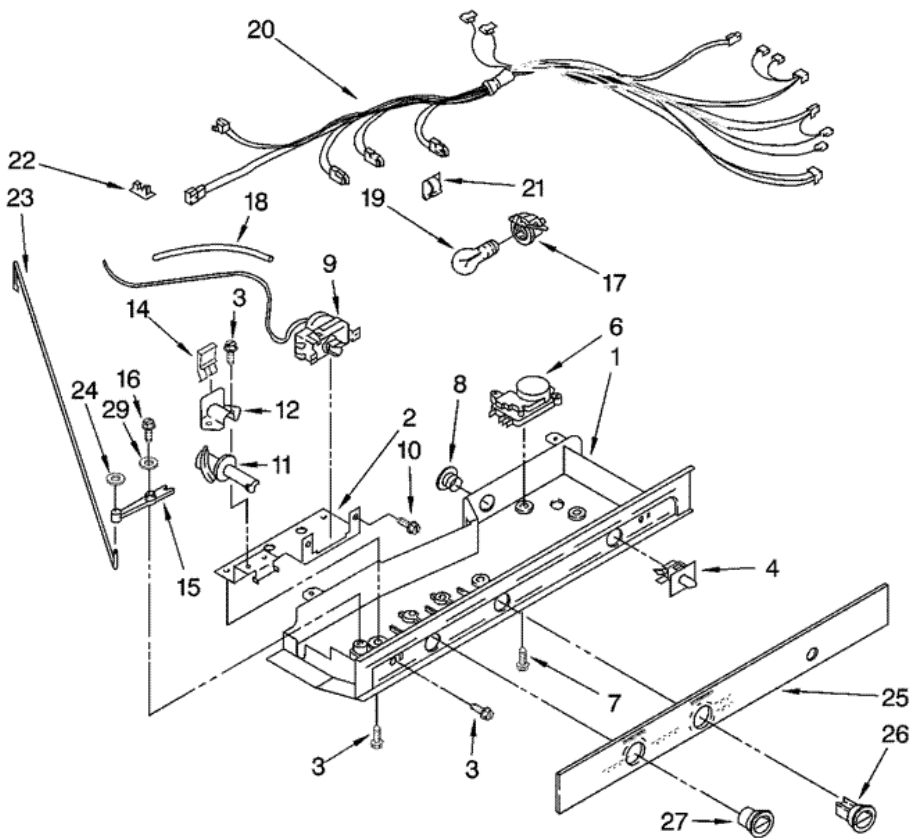
1	2182119	FAN SCROLL (S/P)
2	2155590	RETAINER, FAN MOTOR (S/P)
3	2161231	AIR SCOOP (S/P)
4	2319914	BI-METAL, DEFROST
5	4388357	AIR DUCT FREEZER (S/P)
6	2149544	DIFFUSER AIR DUCT (S/P)
7	4389144	FAN MOTOR
8	2169142	FAN BLADE (S/P)
10	2176759	FAN GROMMET (2) (S/P)
11	2182146	DUCT, ICEMAKER (S/P)
12	W10129821	HARNESS, FAN EVAPORATOR (S/P)
13	2155789	GASKET COVER (S/P)
14	W10339879	WIRE TIE (S/P)
16	4388500	GASKET (S/P)
17	4388357	COVER, EVAPORATOR (S/P)
18	489355	SCREW (S/P)
21	489478	SCREW (S/P)
22	4388358	SUPPORT, R.S (S/P)
23	4388358	SUPPORT, L.S (S/P)

Distribuidor Autorizado

SurteRápido.com

Venta de Refacciones
Electrodomesticas

7ED2GTQXPL00 CONTROL





7ED2GTQXPL00 CONTROL

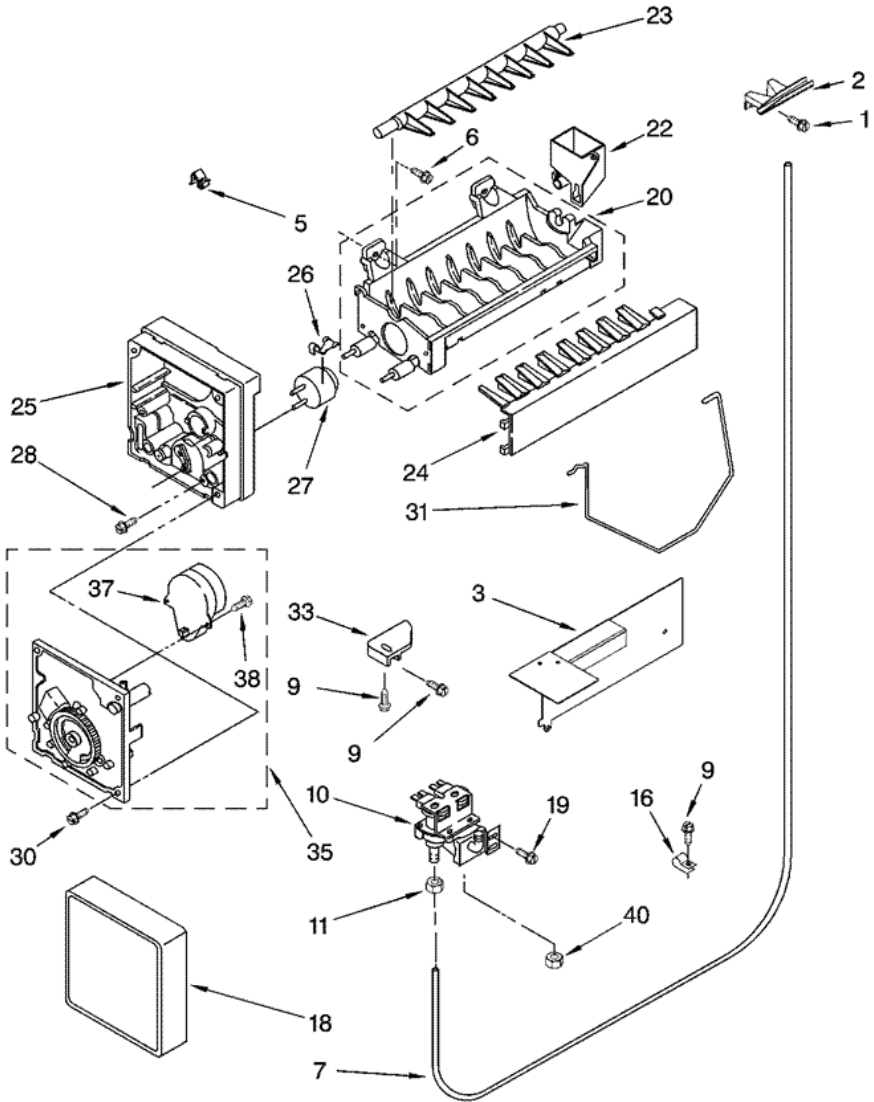
1	2200137	CONTROL BOX (S/P)
2	1110629	MOUNTING BRACKET (S/P)
3	3196537	SCREW (4) (S/P)
4	1116849	LIGHT SWITCH
6	482493	DEFROST TIMER (10 HR.)
7	489398	SCREW (2) (S/P)
8	940014	HOLE PLUG (S/P)
9	2198202	THERMOSTAT
10	487869	SCREW (S/P)
11	2182195	CAM ASSEMBLY (S/P)
12	1110560	BEARING BODY (S/P)
14	2196062	CLIP, DAMPER CONTROL (S/P)
15	1110559	PIVOT ARM (S/P)
16	627068	SCREW (S/P)
17	4387478	LIGHT SOCKET
18	2196003	THERMOSTAT, BARRIER (S/P)
19	527949	LIGHT BULB (S/P)
20	2311636	CONTROL BOX HARNESS (S/P)
21	1115374	CLIP, WIRING (S/P)
22	1115375	CLIP, WIRING (S/P)
23	1123960	CONNECTING ROD (S/P)
24	489285	FASTENER, PUSH-ON (S/P)
25	2255597	ESCUTCHEON, CONTROL BOX (S/P)
26	2182111	THERMOSTAT KNOB (S/P)
27	2197871	KNOB, AIR CONTROL (S/P)
29	489203	SPRING WASHER (S/P)

Distribuidor Autorizado

SurteRápido.com

Venta de Refacciones
Electrodomesticas

7ED2GTQXPL00 ICE MAKER





7ED2GTQXPL00 ICE MAKER

1	489084	SCREW (S/P)
2	2209774	CHUTE, WATER (S/P)
3	2256178	HEAT SHIELD (S/P)
5	628379	CLIP, FUSE (S/P)
6	488208	SCREW (S/P)
7	4387492	TUBE, WATER (S/P)
9	489478	SCREW (S/P)
10	2188924	VALVE, SOLENOID (S/P)
11	627018	NUT, COMPRESSION (S/P)
16	488366	CLAMP, TUBE (S/P)
18	W10289690	COVER (S/P)
19	488649	SCREW (S/P)
20	W10190929	MOLD & HEATER ASSEMBLY (S/P)
22	628356	FILL CUP
23	627843	EJECTOR (S/P)
24	2182124	ICE STRIPER (S/P)
25	2195914	SUPPORT (S/P)
26	2315522	RETAINER, THERMOSTAT (S/P)
27	627985	THERMOSTAT
28	8533917	SCREW (S/P)
30	489276	SCREW (S/P)
31	2304354	SHUT OFF ARM (S/P)
33	628320	BRACKET (S/P)
35	8201515	MODULE ASSEMBLY (S/P)
37	W10190935	MOTOR (S/P)
38	489136	SCREW (S/P)
40	4318011	NUT, COMPRESSION (S/P)
100	4317943	COMPLETE ICEMAKER ASSEMBLY