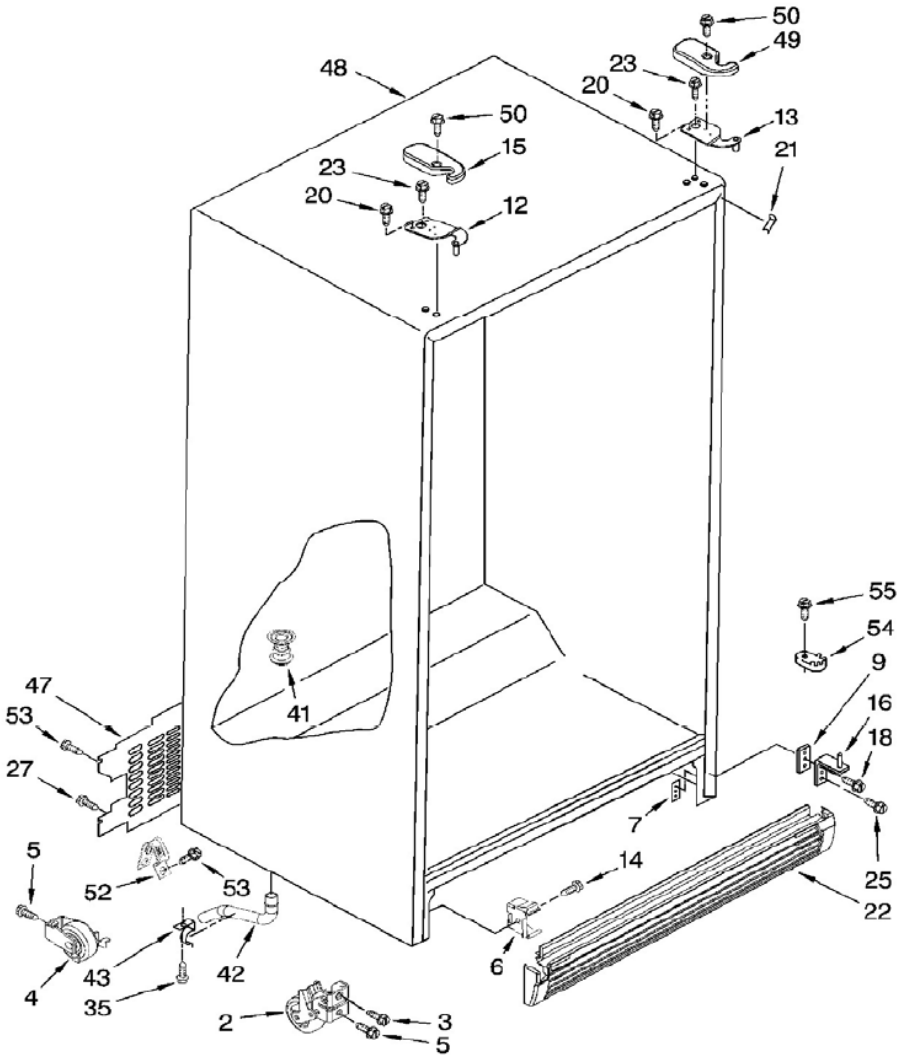


7ED2HCQXSL00 CABINET

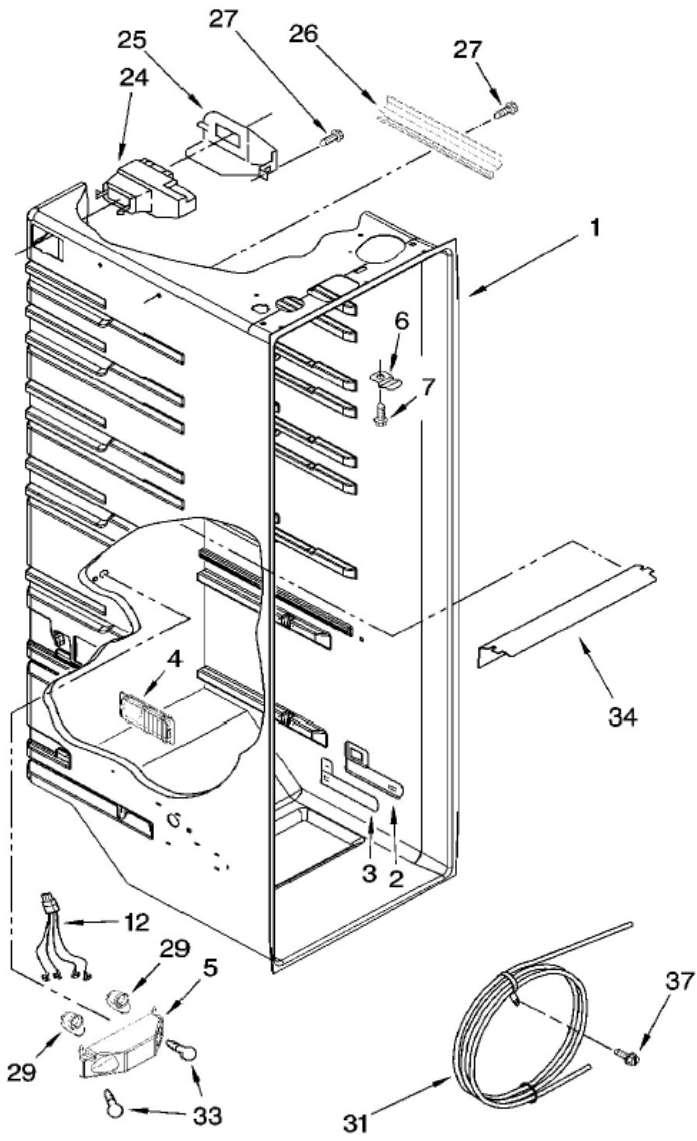




7ED2HCQXSL00 CABINET

2	2174748	FRONT ROLLER
3	3400517	SCREW
4	2196236	ROLLER (REAR)
5	489427	SCREW (2)
6	2155013	CLIP, GRILLE
7	2304249	PLATE, SCREW
9	2209697	SHIM
12	2203770	HINGE TOP (FC)
13	2203771	HINGE, TOP (RC)
14	488500	SCREW
15	2203407B	HINGE COVER (BLACK)
16	2217075	HINGE BOTTOM
18	3400113	SCREW
20	3400858	SCREW
21	2201017	FILLER, WRAPPER BLACK
22	2198469B	GRILLE (BLACK)
23	489497	SCREW
25	3400103	SCREW
27	489290	SCREW
35	489464A	SCREW
41	2304888	DRAIN FITTING
42	1108438	EXTENSION TUBE
43	1108439	CLIP, DRAIN TUBE
47	2220757	COVER, UNIT
48	***	CABINET (NOT A SERVICEABLE PART)
49	2203408B	HINGE COVER (BLACK)
50	8281227	SCREW
52	489348	CLAMP, SERVICE CORD
53	489084	SCREW
54	2155311	DOOR CLOSER, LOWER CAM
55	489483	SCREW

7ED2HCQXSL00 REFRIGERADOR LINER

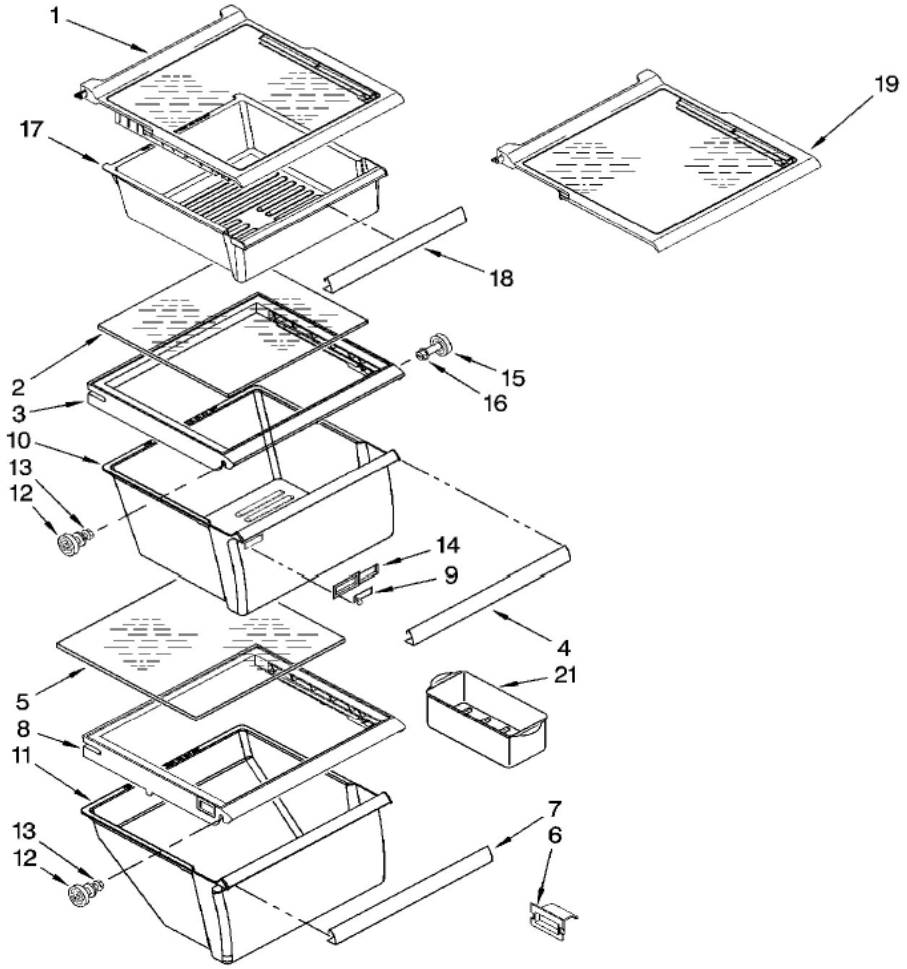




7ED2HCQXSL00 REFRIGERADOR LINER

2	W10175968	ESCUTCHEON, MEAT PAN CONTROL
3	2182757	SLIDE, MEAT PAN CONTROL
4	2257741	LOUVER
5	2256035	BRACKET, DUAL CRISPER LIGHT
6	2311612	CLIP
7	489290	SCREW
12	2311637	WIRE HARNESS, CRISPER LIGHT
24	2209753	AIR DIFFUSER ASSEMBLY
25	2152019	AIR DIFFUSER COVER
26	2150331	COVER, CONDUIT
27	486298	SCREW
29	2162085	SOCKET
31	W10204356	RESERVOIR
33	527949	LIGHT BULB
34	2209769	LIGHT LENS
37	488280	SCREW

7ED2HCQXSL00 REFRIGERADOR SHELF

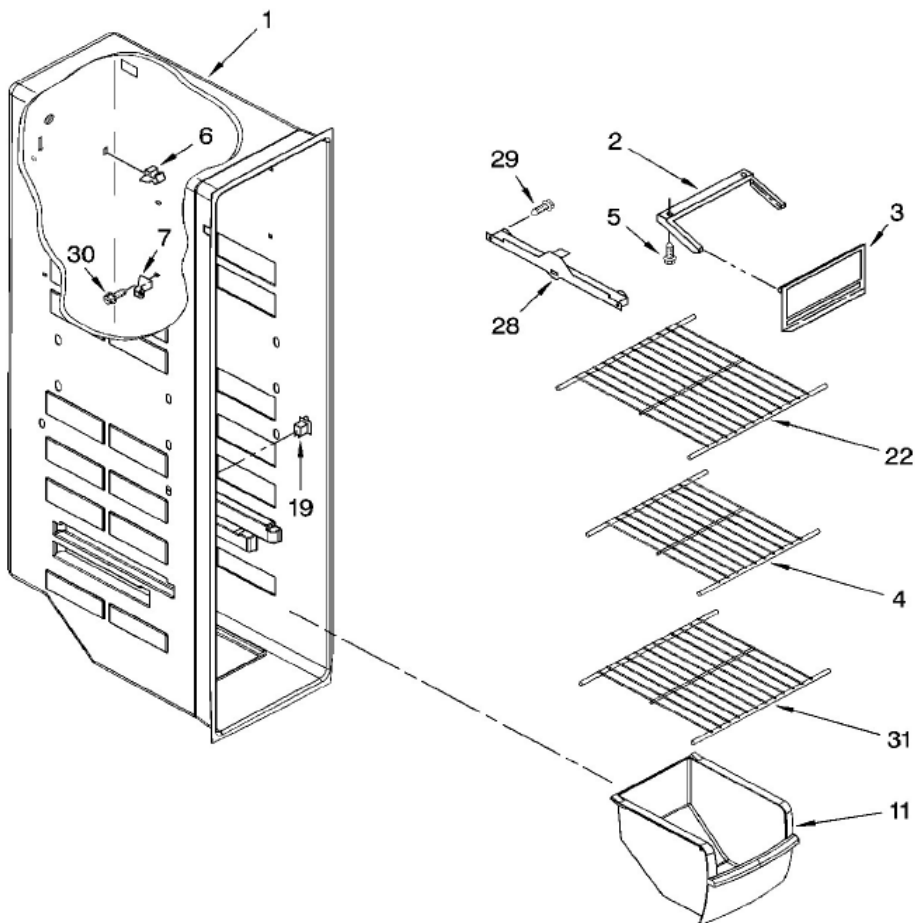




**7ED2HCQXSL00 REFRIGRADOR
SHELF**

*	***	SHELF, SNACK PAN
2	2179259	GLASS, COVER
3	2209698	COVER, CRISPER
4	2179234	TRIM, CRISPER PAN
5	2179259	GLASS, COVER
6	2179350	DEFLECTOR
7	2255592	TRIM, MEAT PAN
8	2311726	COVER, MEAT PAN
9	***	SLIDE, HUMIDITY CONTROL
10	2188653	CRISPER PAN
11	2188654	MEAT PAN
12	2196485	STUD ASSEMBLY
13	3400894	SCREW
14	***	HOUSING, HUMIDITY CONTROL
15	2196483	STUD ASSEMBLY
16	8281158	SCREW
17	***	SNACK PAN
18	***	TRIM, HANDLE
19	2309524	SHELF ASSEMBLY, SPILLGUARD
21	***	EGG BIN

7ED2HCQXSL00 FREEZER LINER

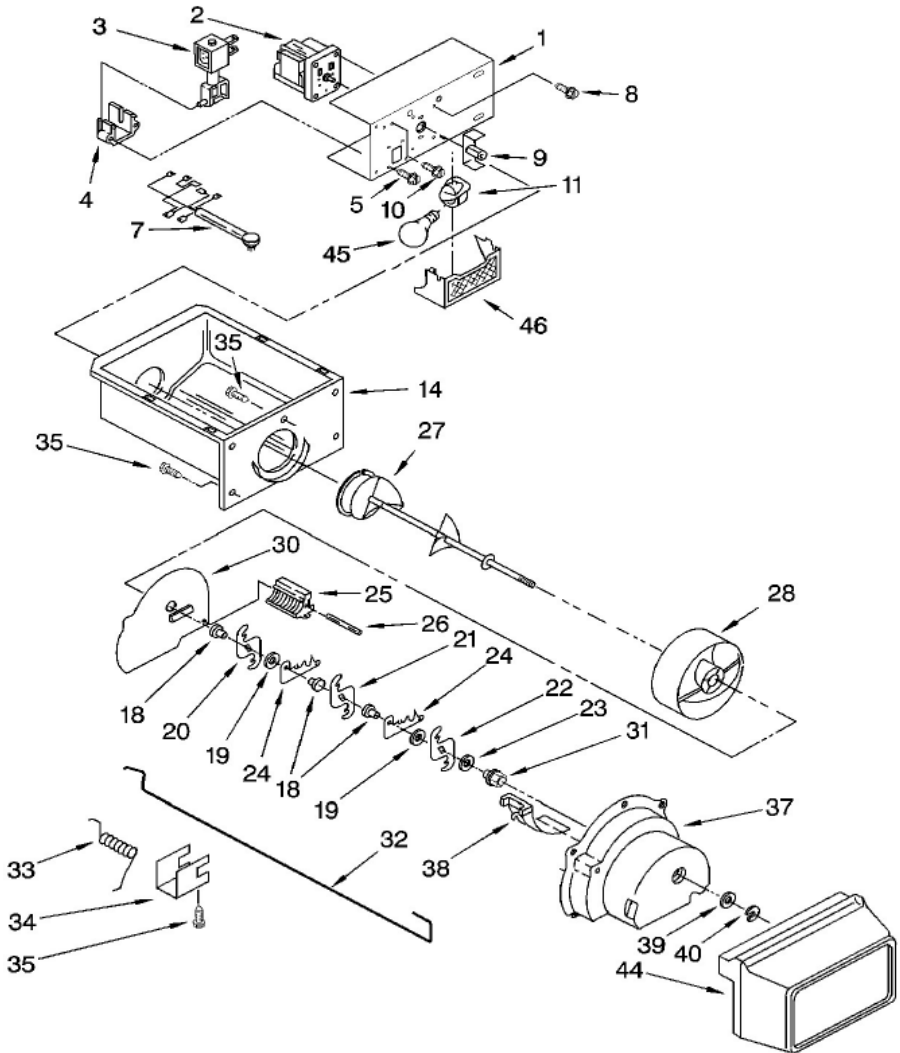




7ED2HCQXSL00 FREEZER LINER

2	1115380	SLIDE, ICE DOOR
3	2171712	DOOR, ICE COMPARTMENT
4	2309634	SHELF, WIRE
5	489478	SCREW
6	842534	CLIP, AIR DUCT
7	2196206	SUPPORT, STUD
11	2309758	FREEZER BIN
19	1115373	SWITCH, ROCKER ARM
22	2309633	SHELF, WIRE
28	1119237	SLIDE, CONTAINER (LEFT SIDE)
	119293	SLIDE, CONTAINER (RIGHT SIDE)
29	489100	SCREW
30	3400893	SCREW
31	2309632	SHELF, WIRE 1

**7ED2HCQXSL00 MOTOR AND ICE
 CONTAINER**



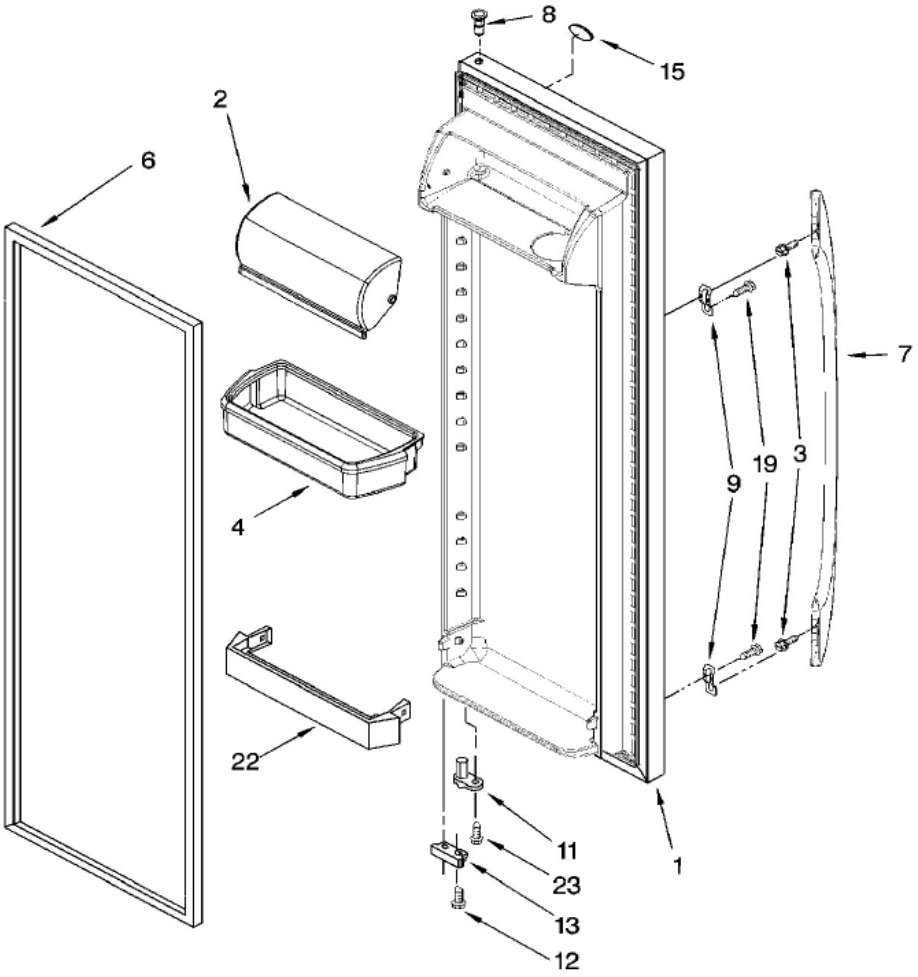


7ED2HCQXSL00 MOTOR AND ICE CONTAINER

1	2254588	BRACKET, MOTOR
2	W10181208	MOTOR, DISPENSER 1
3	2152713	SOLENIOD ASSEMBLY
4	2149100	GUIDE, SOLENOID
5	489355	SCREW
7	2325303	WIRING ASSEMBLY, ICE DISPENSER
8	489399	SCREW
9	W10169511	COUPLING, MOTOR
10	489478	SCREW
11	2162085	SOCKET, LIGHT
14	2196089	ICE CONTAINER
18	1119005	SPACER, STEP
19	1119007	SPACER, FLAT
20	2257022	BLADE, ROTARY
21	2257023	BLADE, ROTARY
22	2257024	BLADE, ROTARY
23	489235	WASHER, PLAIN
24	1119009	BLADE, FIXED
25	2157405	BLOCK, BLADE
26	489229	ROLL PIN
27	2196295	AUGER
28	2305377	DRUM
30	2171682	FLOATING BAFFLE
31	1119018	NUT, BEARING
32	2155231	CONTROL ARM
33	1119020	SPRING, RETURN
34	1119021	RETAINER CLIP, ROD
35	488886	SCREW
37	2180348	HOUSING, CRUSHER
38	1119017	DEFLECTOR, ICE
39	489234	WASHER, PLAIN
40	489236	RETAINER RING
44	2171709	FRONT COVER, ICE CONTAINER

45	527949	LIGHT BULB
46	2171706	LIGHT LENS, DISPENSER
100	W10192854	ICE CONTAINER (COMPLETE)

7ED2HCQXSL00 REFRIGERADOR DOOR

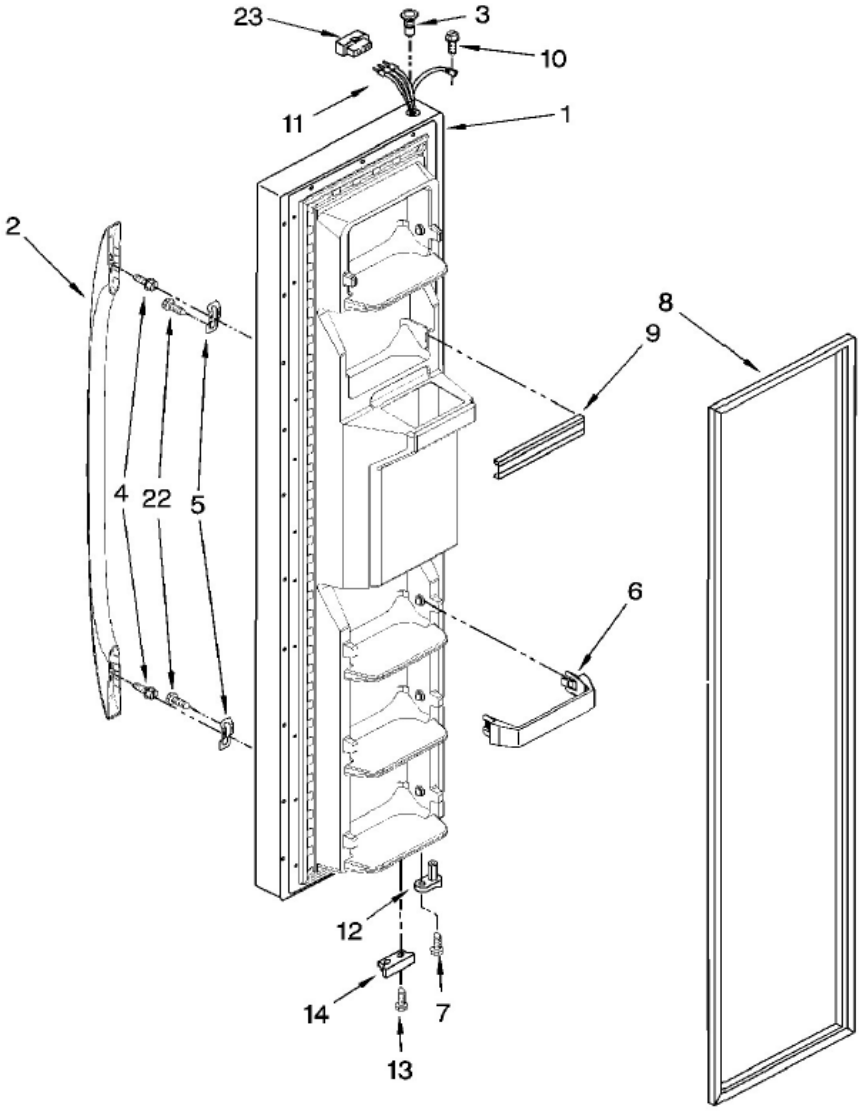




7ED2HCQXSL00 REFRIGERADOR DOOR

1	2309939L	REFRIGERATOR DOOR (INCLUDES ITEM 6) SATINA
2	2256101	DOOR, COMPARTMENT
3	***	SCREW
4	2304235	DOOR BIN
6	2309653	DOOR GASKET, MAGNETIC (BLACK)
7	W10128002	HANDLE (INCLUDES 4) ACERO
7A	W10010140	PERNO HANDLE
7B	2219698	STUD-HANDLE, MOUNTING
7C	488208	SCREW STUD-HANDLE 8-15 X .813 HW A
8	2308091	THIMBLE-TOP
9	***	CLIP
11	2182178	DOOR CLOSER, UPPER CAM
12	489420	SCREW
13	2206629B	BRACKET, DOOR STOP (BLACK)
15	2255121	NAMEPLATE
19	***	SCREW
22	2309941	TRIVET
23	3400012	SCREW

7ED2HCQXSL00 FREEZER DOOR

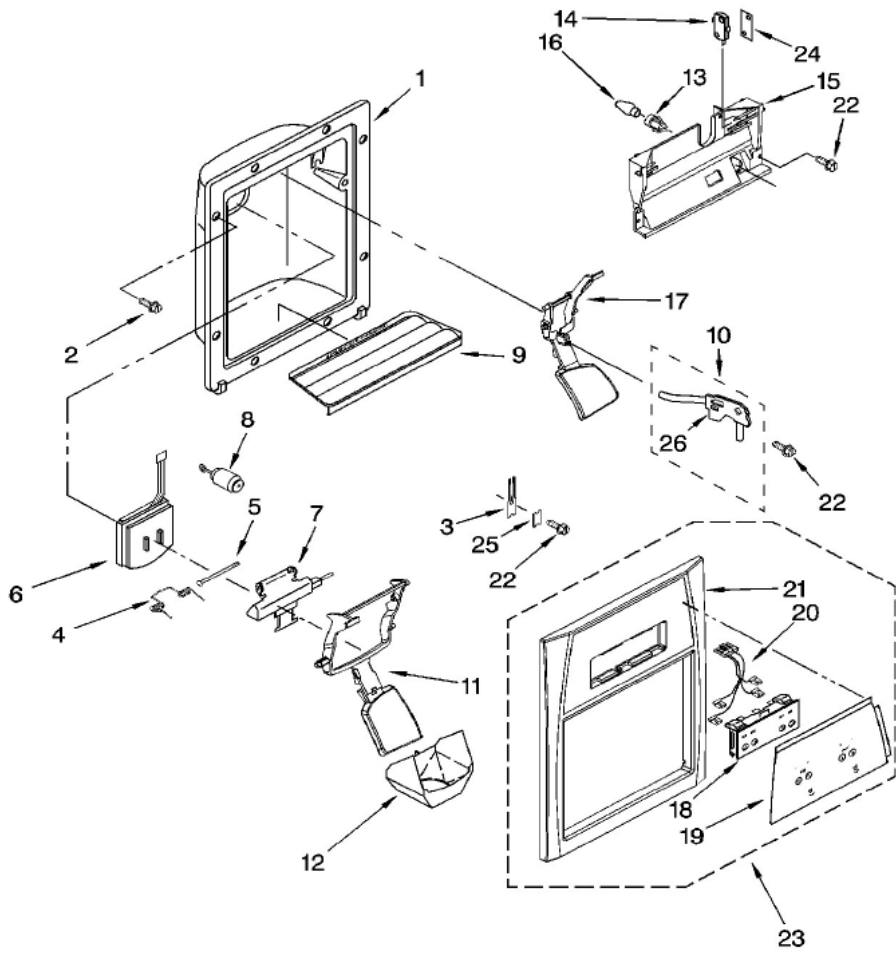




7ED2HCQXSL00 FREEZER DOOR

1	2311824L	FREEZER DOOR (DISPENSER FRONT PARTS) SATINA
2	W10128002	HANDLE (INCLUDES 4) ACERO
2A	W10010140	PERNO HANDLE
2B	2219698	STUD-HANDLE, MOUNTING
2C	488208	SCREW STUD-HANDLE 8-15 X .813 HW
3	2182181	THIMBLE-TOP
4	***	SCREW
5	***	CLIP
6	2309717	TRIVET
7	3400012	SCREW
8	2309654	DOOR GASKET, MAGNETIC (BLACK)
9	2209680	TRIM, DOOR SHELF
10	488500	SCREW
11	2311642	WIRE HARNESS
12	2182179	DOOR CLOSER, UPPER CAM
13	489420	SCREW
14	2206629B	BRACKET, DOOR STOP
22	***	SCREW
23	2154473	CONNECTOR

7ED2HCQXSL00 DISPENSER FRONT





7ED2HCQXSL00 DISPENSER FRONT

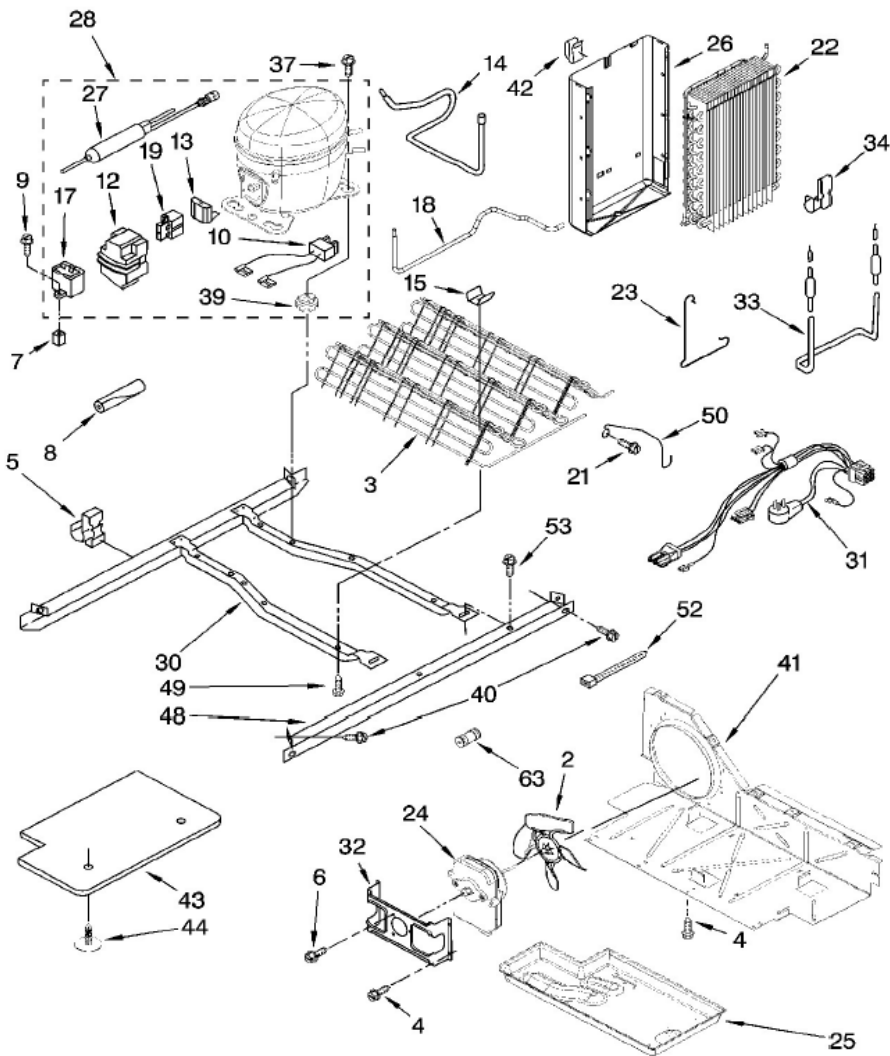
2	3196537	SCREW
3	2194719	RETAINER, LEVERS
4	W10224328	SPRING, TORSION
5	2196195	PIN
6	2180353	DOOR, ICE
7	2304355	DOOR MECHANISM ASSEMBLY
8	2205686	MECHANISM DELAY
9	2206671B	GRILLE, OVERFLOW
10	2304317	WATER FITTING ASSEMBLY (INCLUDES WATER TUBE)
11	2255431B	LEVER, ICE DISPENSER (BLACK)
12	2180224	GUIDE, ICE
13	2180200	LAMP HOLDER
14	2162361	SWITCH
15	2183771	BRACKET, CONTROL
16	3406124	BULB, LIGHT
17	2255432B	LEVER, WATER DISPENSER (WHITE)
18	***	SWITCH ASSEMBLY (NOT AVAILABLE ORDER 23)
19	***	OVERLAY, FRONT COVER (ORDER 23)
20	2325305	WIRE ASSEMBLY
21	***	FRONT COVER, HOUSING (ORDER 23)
22	489000	SCREW
23	2311693B	FRONT COVER ASSEMBLY (18, 19, 20 & 21) (BLACK)
241	625834	SPACER, SWITCH
251	2195051	STRAIN RELIEF
26	2304673	BRACKET, DISPENSER

Distribuidor Autorizado

SurteRápido.com

Venta de Refacciones
Electrodomesticas

7ED2HCQXSL00 UNIT



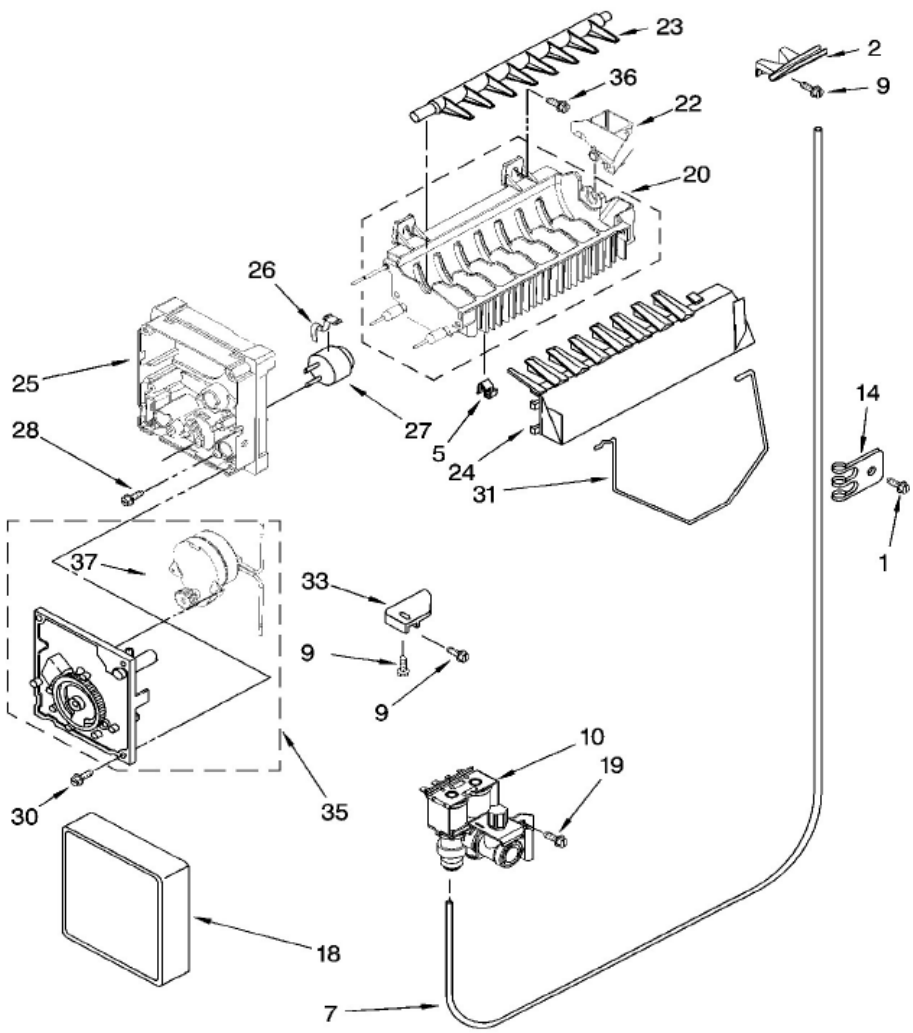


7ED2HCQXSL00 UNIT

2	2225834	FAN, BLADE
3	W10222349	CONDENSER ASSEMBLY
4	489464	SCREW
5	2208280	CLIP, WIRE
6	8533993	SCREW
7	509812	GROMMET
8	2161302	SLEEVE
9	488687	SCREW
10	2311637	WIRE, CAPACITOR (PRODUCTION)
12	***	COVER, TERMINAL (PRODUCTION)
	***	COVER, TERMINAL (SERVICE)
13	***	OVERLOAD (PRODUCTION)
14	2220642	TUBE SUCTION
15	2311725	CLIP, CONDENSER
17	2255130	CAPACITOR (PRODUCTION)
18	2261599	TUBE, CONDENSER TO HEAT LOOP
19	2188831	RELAY (PRODUCTION)
21	489478	SCREW
22	2188822	EVAPORATOR
23	2161324	CLAMP
24	2188874	FAN, MOTOR
25	1105523	TRAY, EVAPORATOR
26	W10194474	HEAT SHIELD
27	W10177049	DRIER (PRODUCTION)
28	W10121058	COMPRESSOR (INC10, 12, 13, 17, 19 & 27)
30	2304903	UNIT MOUNTING FRAME
31	2187605	UNIT, HARNESS (INCLUDES POWER CORD)
32	2181929	FAN, MOTOR BRACKET
33	2188174	HEATER, DEFROST
34	2161324	CLIP
37	489373	SCREW
39	1100826	GROMMET (4) (PRODUCTION)
	4387558	GROMMET (4) (SERVICE)

40	489340	SCREW
41	W10196306	AIR BAFFLE
42	2155547	CLIP, HEAT SHIELD
43	2304898	UNIT COVER, BOTTOM
44	489396	CLIP
48	W10207512	UNIT MOUNTING RAIL
49	8281232	SCREW
50	1105612	GUARD, FAN
52	2263990	STRAP
53	489427	SCREW
63	2320322	UNION

7ED2HCQXSL00 ICE MAKER

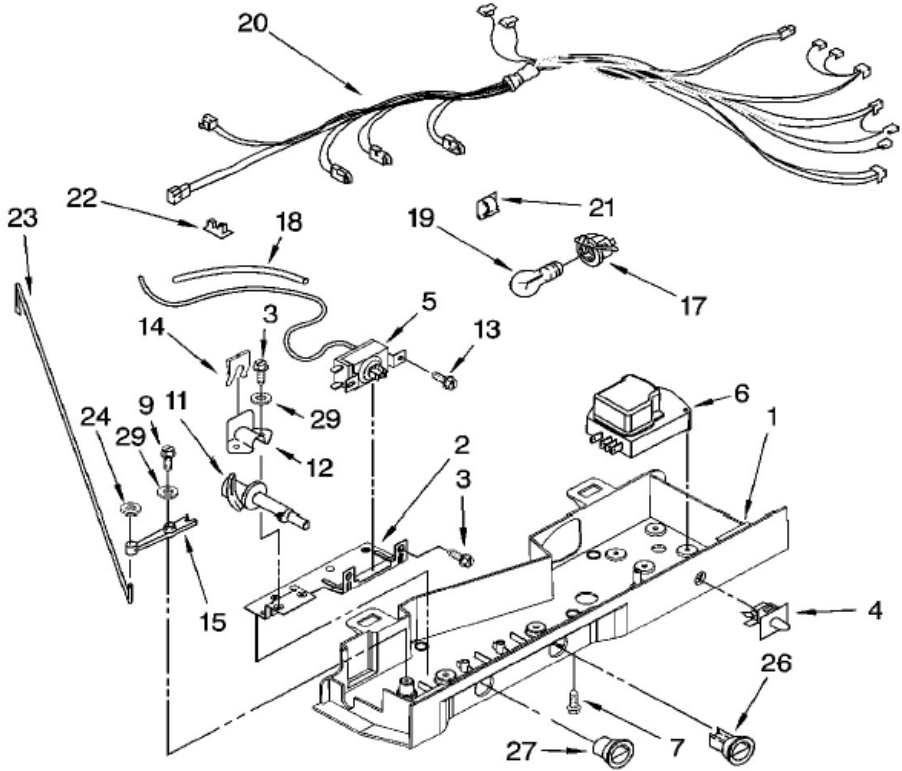




7ED2HCQXSL00 ICE MAKER

1	489084	SCREW
2	2209774	CHUTE, WATER
5	628379	CLIP, FUSE
7	2304859	TUBE, WATER
9	489478	SCREW
10	2188778	FILTER VALVE ASM
14	489385	TUBE CLIP
18	2174155	COVER
19	488649	SCREW
20	W10122527	MOLD & HEATER ASSEMBLY (ALSO ORDER 542638
22	W10122561	CUP, WATER FILL
23	627843	EJECTOR
24	W10122563	ICE STRIPER
25	2195914	SUPPORT
26	2315522	RETAINER, THERMOSTAT
27	628397	THERMOSTAT (542369 CEMENT ALUMILASTIC)
28	8533917	SCREW
30	489276	SCREW
31	2304354	SHUT OFF ARM
33	628320	BRACKET
35	626691	MODULE ASSEMBLY
36	488208	SCREW
37	***	MOTOR (NOT SERVICED, ORDER 35)
100	W10190969	COMPLETE ICEMAKER ASSEMBLY

7ED2HCQXSL00 CONTROL

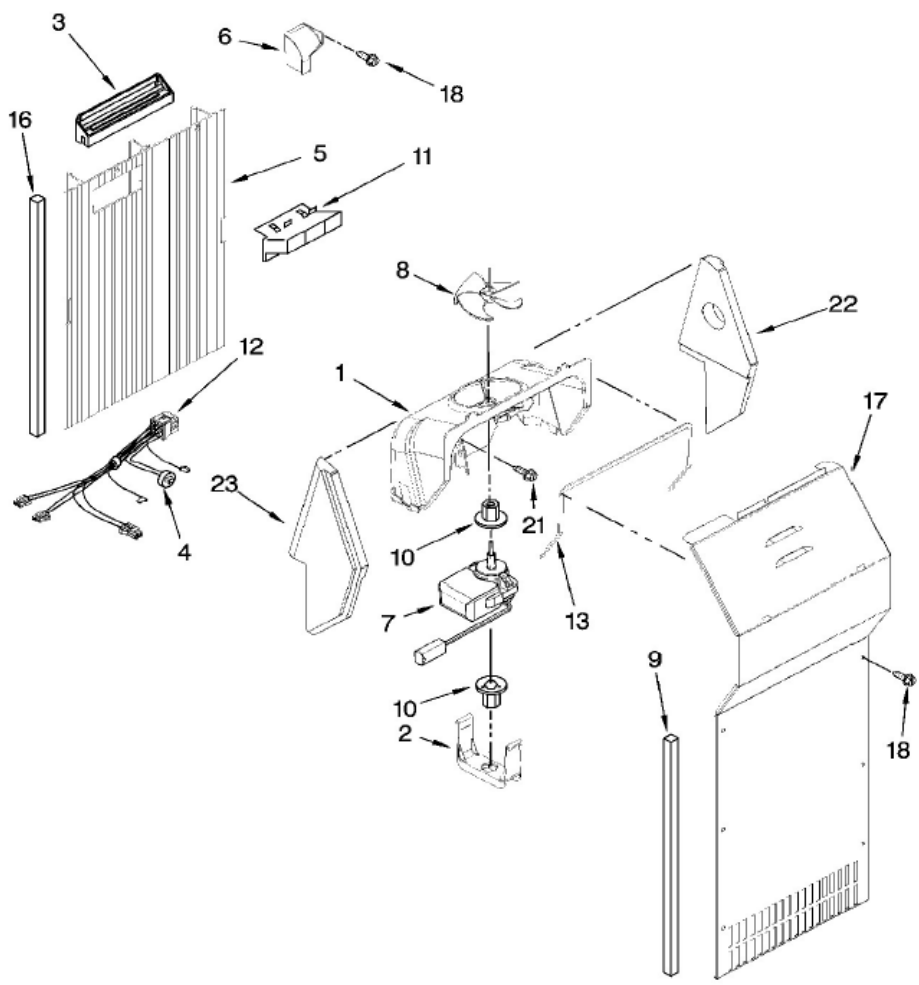




7ED2HCQXSL00 CONTROL

1	2311619	CONTROL BOX
2	2311611	MOUNTING BRACKET
3	3196537	SCREW
4	2219875	LIGHT SWITCH
5	2198202	THERMOSTAT
6	2188375	DEFROST TIMER
7	489398	SCREW
9	627068	SCREW
11	2182195	CAM ASSEMBLY
12	1110560	BEARING BODY
13	488208	SCREW
14	2196062	DAMPER CONTROL
15	1110559	PIVOT ARM
17	2162085	LIGHT SOCKET
18	2196001	BARRIER TUBE, THERMOSTAT
19	527949	LIGHT BULB
20	2311636	CONTROL BOX HARNESS
21	1115374	CLIP, WIRING
21	1115375	CLIP, WIRING
23	2311631	CONNECTING ROD
24	489285	FASTENER, PUSH-ON
26	2311614	THERMOSTAT KNOB
27	2311615	CONTROL KNOB
29	489203	SPRING WASHER

7ED2HCQXSL00 AIR FLOW





7ED2HCQXSL00 AIR FLOW

1	2182119	FAN SCROLL
2	2155590	RETAINER, FAN MOTOR
3	2209753	DIFFUSER, AIR DUCT
4	2321799	BI-METAL, DEFROST
5	2203591	AIR DUCT FREEZER
6	2161229	AIR SCOOP
7	W10131845	FAN MOTOR
8	2169142	FAN BLADE
9	2304241	GASKET, EVAPORATOR COVER
10	2176759	FAN GROMMET
11	2182146	DUCT, ICEMAKER
12	W10129821	HARNES, FAN EVAPORATOR (INCLUDES 4)
13	2155788	GASKET, FAN SCROLL
16	2203875	GASKET
17	2203840	COVER, EVAPORATOR (INCLUDES 9)
18	8281159	SCREW
21	489478	SCREW
22	2203595	SUPPORT, R.S 1
23	2203596	SUPPORT, L.S 1