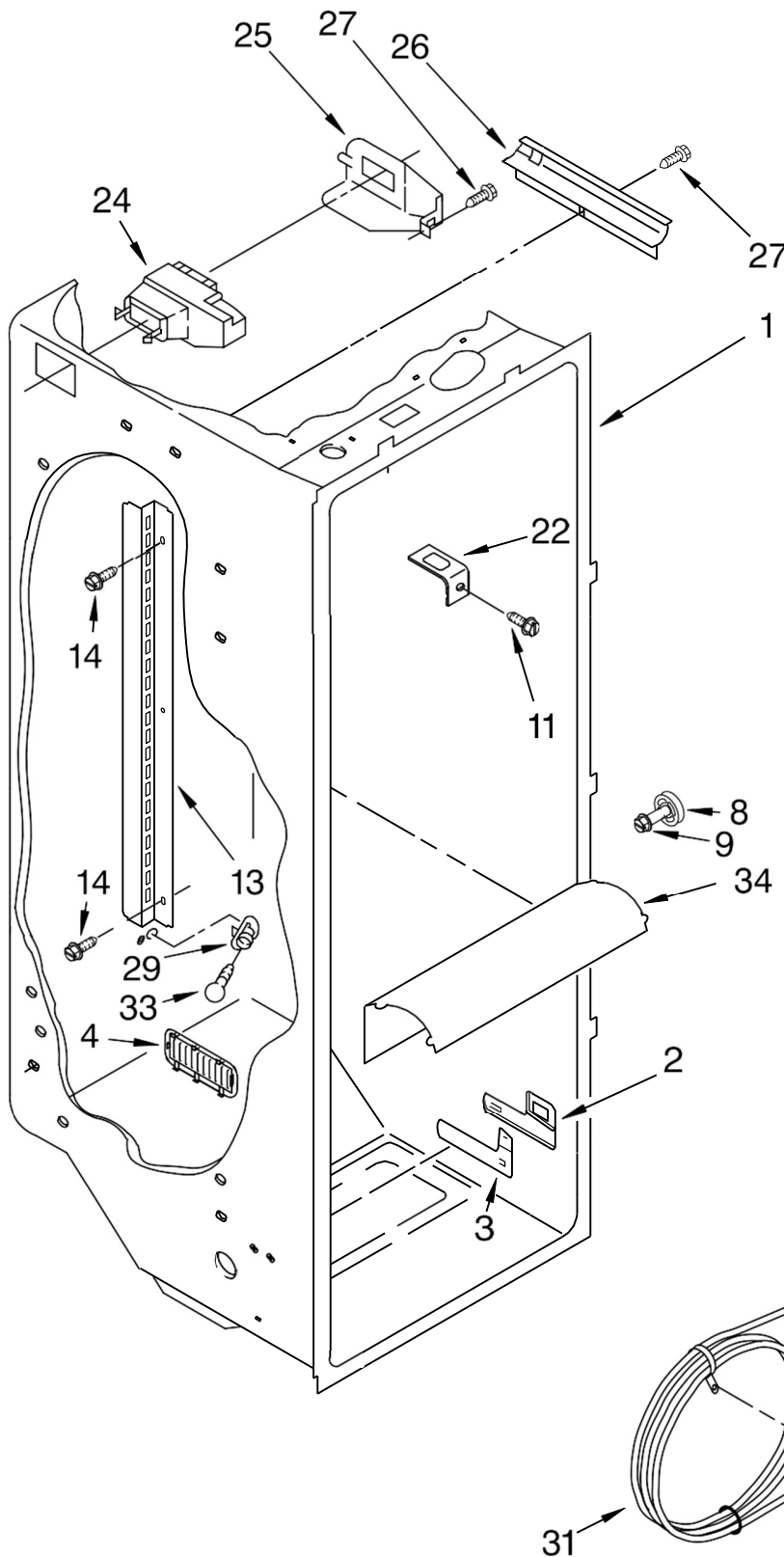
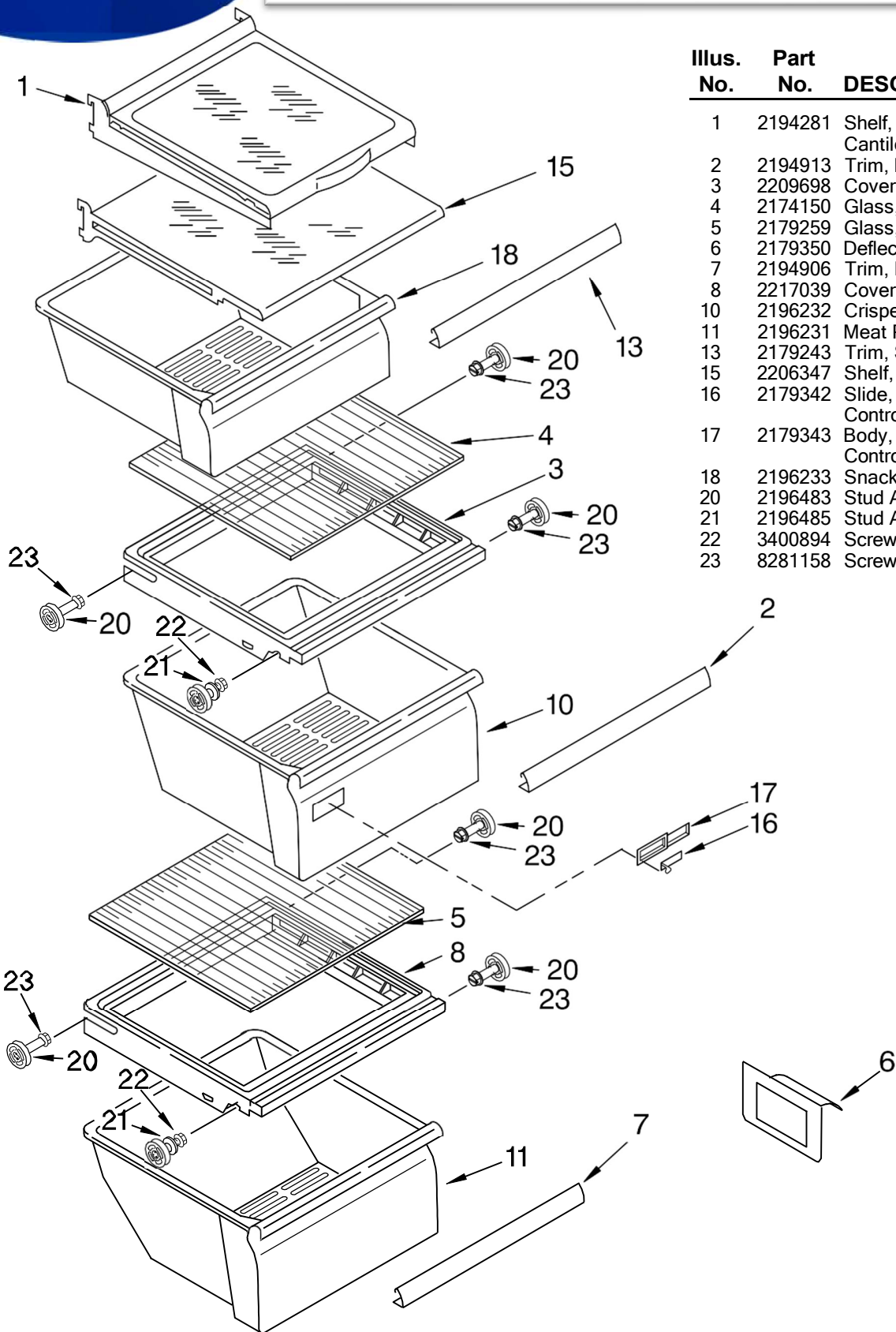


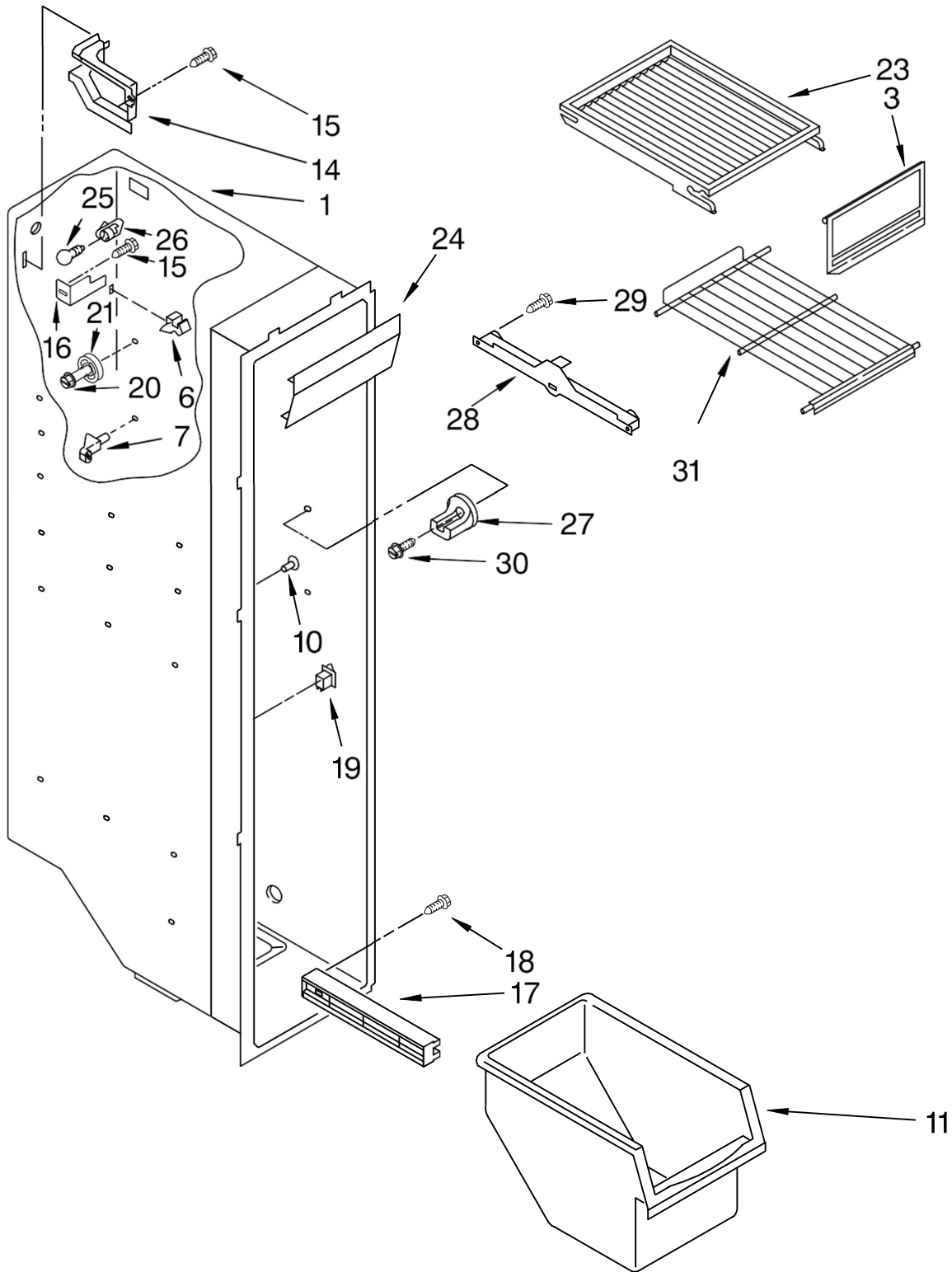
Illus. No.	Part No.	DESCRIPTION
1	LIT2254916	Use & Care Guide
	LIT2216342	Service & Wiring Sheet
	LIT2220003	Energy Label
	LIT628730	Modular Icemaker Service Sheet
2	2174748	Front Roller (2)
3	3400517	Screw
4	2196236	Roller (Rear) (2)
5	489427	Screw
6	2155013	Clip, Grille
7	488500	Screw
8	2156056	Shim
9	2203770	Hinge Top (FC)
10	2203771	Hinge Top (RC)
11	8281227	Screw
12		Hinge Cover
	2203407W	White
13	2217075	Hinge Bottom (2)
14		Filler, Wrapper
	2196094	White
15		Grille
	2198468W	White
16	489497	Screw
17	489464	Screw
18	940139	Drain Fitting
19	1108438	Extension Tube
20	1108439	Clip, Drain Tube
21	2252036	Cover, Unit
22		Hinge Cover
	2203408W	White
23	549193	Clamp, Service Cord
24	489084	Screw
25	2155311	Door Closer, Lower Cam (2)
26	489483	Screw
27		Cabinet (Not A Serviceable Part)
28	2186443	Housing, Water Filter
29	2203220	Water, Filter
30	489500	Screw
31		Cap, Water Filter
	2186494W	White



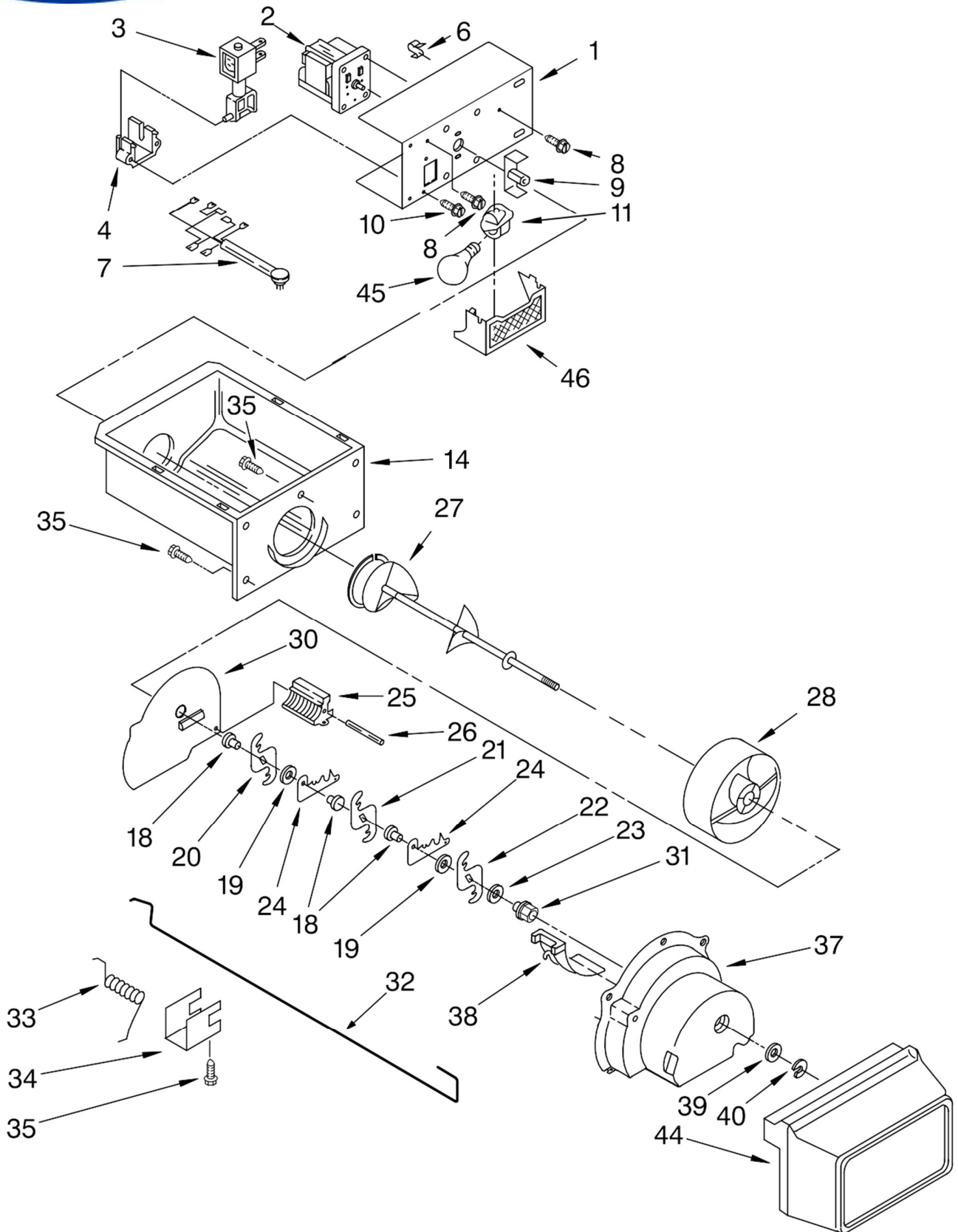
Illus. No.	Part No.	DESCRIPTION
1		Liner (Not A Serviceable Part)
2	2194744	Escutcheon, Meat Pan Control
3	2182757	Slide, Meat Pan Control
4	2182147	Louver
8	2196483	Stud Assembly (4)
9	8281158	Screw
11	489290	Screw (2)
13	2206273	Shelf Ladder
14	487539	Screw
22	1123919	Bracket Retainer
24	2209753	Air Diffuser Assembly
25	2152019	Air Diffuser Cover
26	2150331	Cover, Conduit
27	486298	Screw
29	2162085	Socket
31	2217199	Reservoir
33	527949	Light Bulb
34	2254920	Light Lens
37	488280	Screw (2)



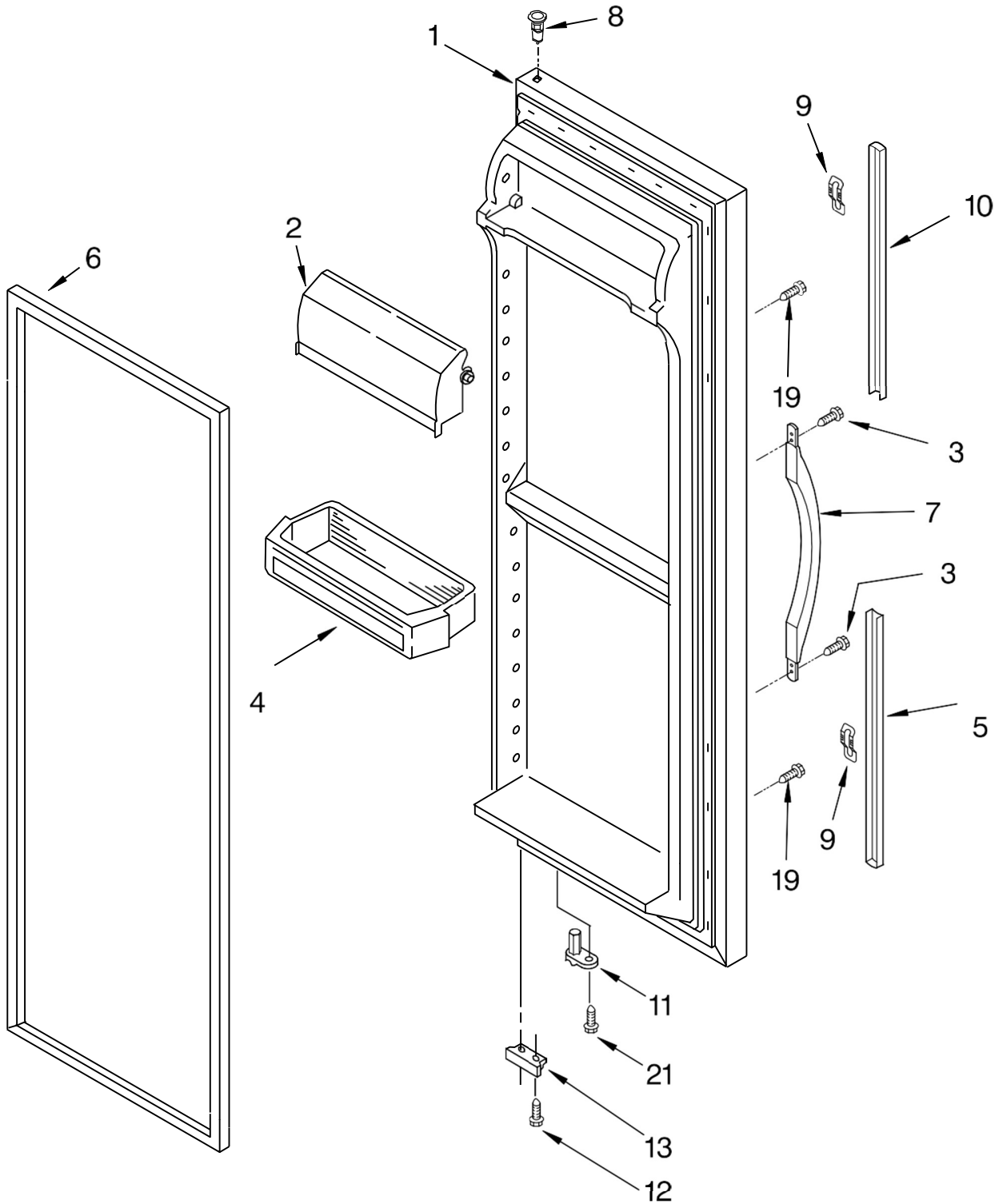
Illus. No.	Part No.	DESCRIPTION
1	2194281	Shelf, Cantilever (2)
2	2194913	Trim, Pan
3	2209698	Cover, Crisper
4	2174150	Glass, Cover
5	2179259	Glass, Meat Cover
6	2179350	Deflector
7	2194906	Trim, Meat Pan
8	2217039	Cover, Meat Pan
10	2196232	Crisper Pan
11	2196231	Meat Pan
13	2179243	Trim, Snack Pan
15	2206347	Shelf, Snack Bin
16	2179342	Slide, Humidity Control
17	2179343	Body, Humidity Control
18	2196233	Snack Bin
20	2196483	Stud Assembly
21	2196485	Stud Assembly
22	3400894	Screw
23	8281158	Screw



Illus. No.	Part No.	DESCRIPTION
1		Liner (Not A Serviceable Part)
3	2171713	Door, Ice Compartment
6	842534	Clip, Air Duct (2)
7	2196206	Support, Stud (4)
10	2176134	Grommet
11	2182971	Freezer Bin
14	2155572	Wiring Cover
15	489355	Screw
16	2209674	Bracket, Fill Tube
17		Slide, Basket
	2181760	Right Side
	2181759	Left Side
18	486298	Screw
19	1115373	Switch, Rocker Arm
20	8281158	Screw
21	2196483	Stud Assembly
23	2171714	Shelf, Top Compartment
24	2171705	Light Lens
25	527949	Light Bulb
26	2162085	Light Socket
27	2196207	Stud
28		Slide, Container
	1119237	Left Side
	1119293	Right Side
29	489100	Screw
30	3400893	Screw
31	2174268	Shelf (2)
	2174267	Shelf (1)



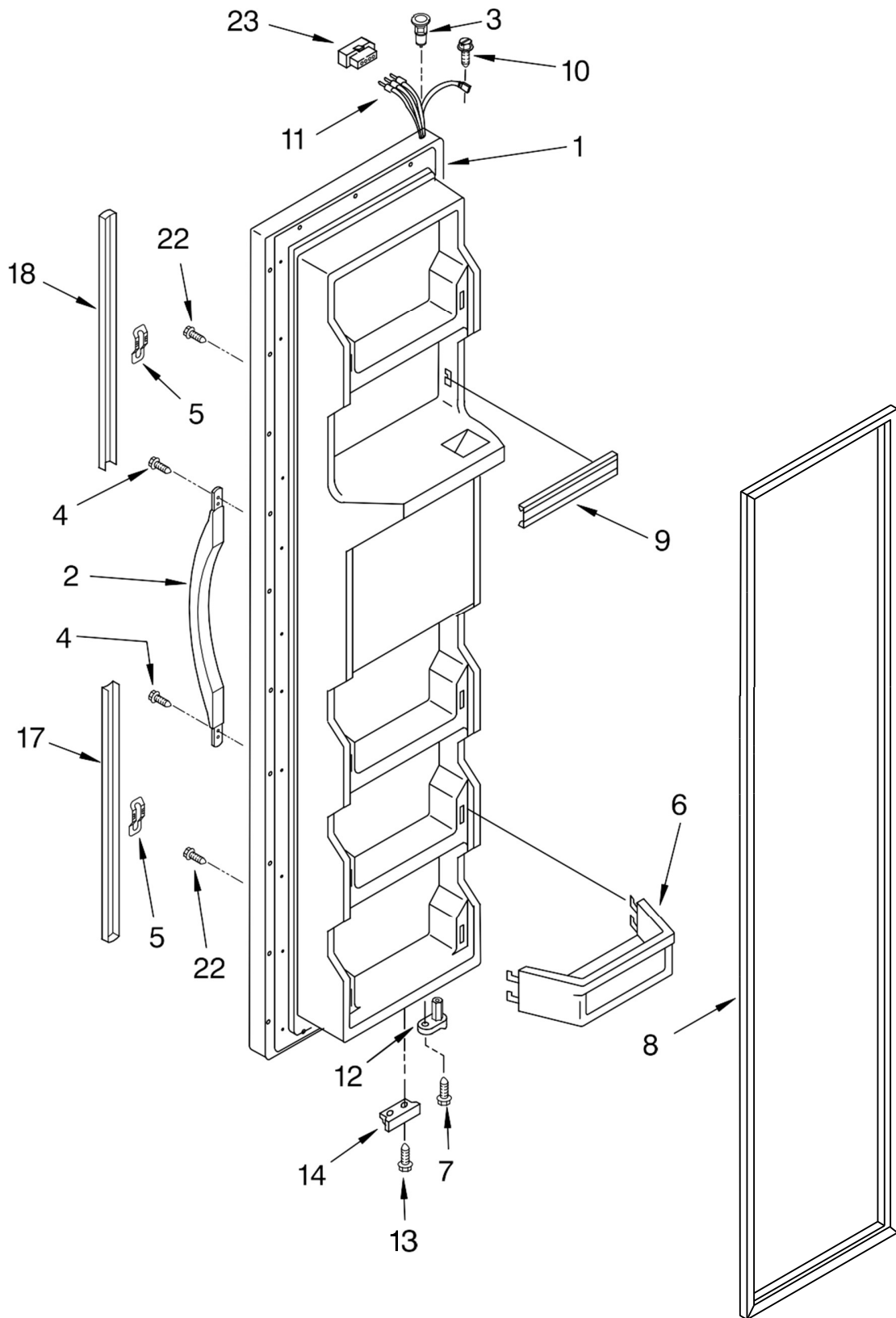
Illus. No.	Part No.	DESCRIPTION
1	2183726	Bracket, Motor
2	2188385	Motor, Dispenser
3	2152713	Solenoid Assembly
4	2149100	Guide, Solenoid
6	1115374	Clip, Wiring
7	2206501	Wiring Assembly, Ice Dispenser
8	489399	Screw
9	2205716	Coupling, Motor
10	489478	Screw
11	2162085	Socket, Light
14	2196091	Ice Container
18	1119005	Spacer, Step (3)
19	1119007	Spacer, Flat (2)
20	1119006	Blade, Rotary
21	1119012	Blade, Rotary
22	1119013	Blade, Rotary
23	489235	Washer, Plain
24	1119009	Blade, Fixed (2)
25	2157405	Block, Blade
26	489229	Roll Pin
27	2196295	Auger
28	2209781	Drum
30	2171682	Floating Baffle
31	1119018	Nut, Bearing
32	2155231	Control Arm
33	1119020	Spring, Return
34	1119021	Retainer Clip, Rod
35	488886	Screw
37	2180348	Housing, Crusher
38	1119017	Deflector, Ice
39	489234	Washer, Plain
40	489236	Retainer Ring
44	2204321	Front Cover, Ice Container
45	527949	Light Bulb
46	2171706	Light Lens, Dispenser





REFRIGERADOR 7ED7FHGXKQ00

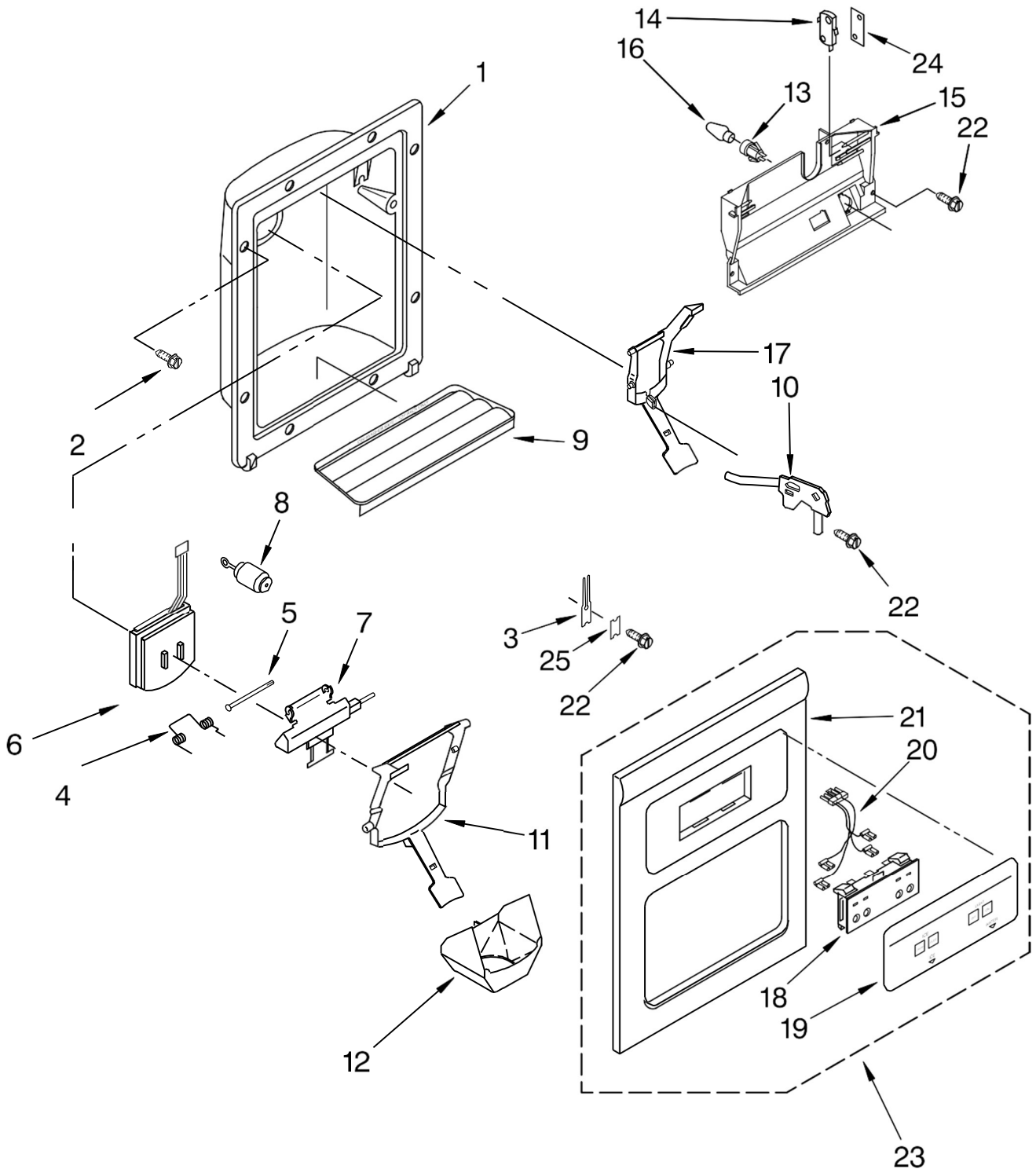
Illus. No.	Part No.	DESCRIPTION
1		Refrigerator Door (Includes Item 6)
	2206691W	White
2	2177105	Door, Compartment
3	489491	Screw
4	2203872	Shelf Bin (4)
5		Extension, Bottom
	2194969W	White
6		Door Gasket, Magnetic
	2221302	Mist Beige
7		Handle, Center
	2186649W	White
8	2182180	Thimble-Top
9	2195327	Clip (4)
10		Extension, Top
	2194973W	White
11	2182178	Door Closer, Upper Cam
12	489420	Screw
13	2206630	Bracket, Door Stop
19	3400852	Screw,
21	3400012	Screw





REFRIGERADOR 7ED7FHGXKQ00

Illus. No.	Part No.	DESCRIPTION
1		Freezer Door (Includes Item 8 And Dispenser Front Parts)
	2216319W	White
2		Handle, Center
	2186649W	White
3	2182181	Thimble-Top
4	489491	Screw
5	2195327	Clip (4)
6	2171157	Trivet, Shelf (4)
7	3400012	Screw
8		Door Gasket, Magnetic
	2221303	Mist Beige
9	2209681	Trim, Door Shelf
10	489000	Screw
11	2206601	Wire Harness
12	2182179	Door Closer, Upper Cam
13	489420	Screw
14	2206630	Bracket, Door Stop
17		Extension, Bottom
	2194969W	White
18		Extension, Top
	2194973W	White
22	3400852	Screw
23	2154473	Connector



FOR ORDERING INFORMATION REFER TO PARTS PRICE LIST

BENITO JUÁREZ #1500 GPE ZITON, CD. GUADALUPE NUEVO LEÓN TEL: 8183377999 Y 49
 HORARIOS: LUNES A VIERNES 8:30 A 6:00 PM Y SÁBADOS DE 8:30 A 2:00 PM
www.denek.com

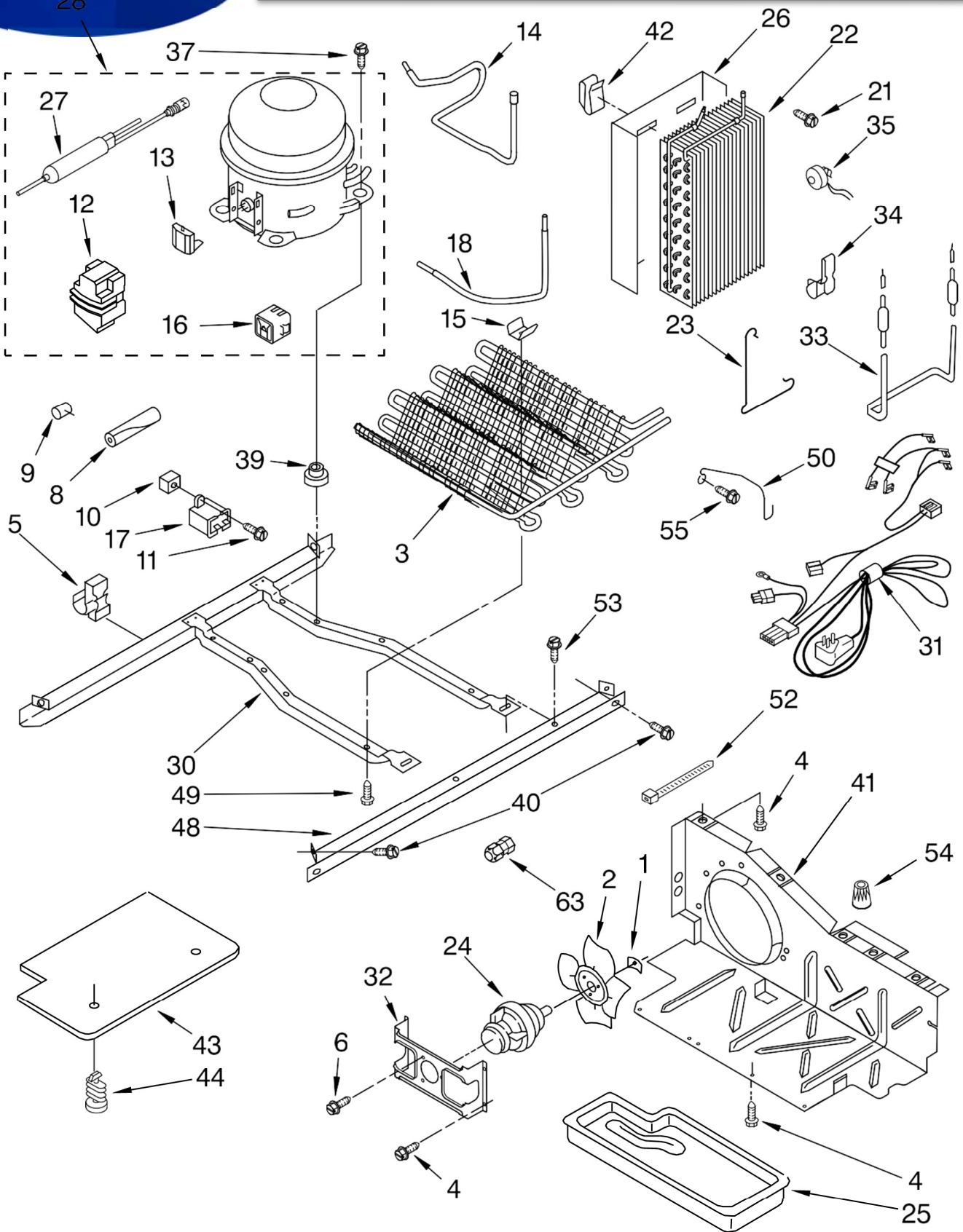
Illus. No.	Part No.	DESCRIPTION
1		Housing, Dispenser (Not Serviced)
2	3196165	Screw
3	2194719	Retainer, Levers
4	2180209	Spring, Torsion
5	2196195	Pin
6	2180352	Door, Ice
7	2206423	Door Mechanism Assembly
8	2205686	Mechanism Delay
9		Grille, Overflow
	2206670W	White
10	2209718	Water Fitting Assembly (Includes Water Tube)
11		Lever, Ice Dispenser
	2195089W	White
12	2180224	Guide, Ice
13	2180200	Lamp Holder
14	2162361	Switch (2)
15	2183771	Bracket, Control
16	3406124	Bulb, Light
17		Lever, Water Dispenser
	2195090W	White
18		Switch Assembly (Not Available Order #23)
19		Overlay, Front Cover (Not Available Order #23)
20	2187408	Wire Assembly
21		Front Cover, Housing (Not Available, Order #23)
22	489000	Screw
23		Front Cover Assembly (Includes Items 18, 19, 20 & 21)
	2207265W	White
24	625834	Spacer, Switch (2)
25	2195051	Strain Relief

FOR ORDERING INFORMATION REFER TO PARTS PRICE LIST

BENITO JUÁREZ #1500 GPE ZITON, CD. GUADALUPE NUEVO LEÓN TEL: 8183377999 Y 49

HORARIOS: LUNES A VIERNES 8:30 A 6:00 PM Y SÁBADOS DE 8:30 A 2:00 PM

www.denek.com



FOR ORDERING INFORMATION REFER TO PARTS PRICE LIST

FOR ORDERING INFORMATION REFER TO PARTS PRICE LIST

BENITO JUÁREZ #1500 GPE ZITON, CD. GUADALUPE NUEVO LEÓN TEL: 8183377999 Y 49

HORARIOS: LUNES A VIERNES 8:30 A 6:00 PM Y SÁBADOS DE 8:30 A 2:00 PM

www.denek.com

Illus. No.	Part No.	DESCRIPTION	Illus. No.	Part No.	DESCRIPTION	Illus. No.	Part No.	DESCRIPTION
1	486692	Speed Nut	25	1105523	Tray, Evaporator	52	2172840	Strap
2	2190685	Fan, Blade	26	2149294	Heat Shield	53	489427	Screw
3	2204484	Condenser Assembly	27	2199167	Drier	54	227991	Wire Connector
4	489464	Screw	28	2212192	Compressor (Includes Items 12, 13, 15, 17, 27 & 38)	55	489478	Screw
5	2208280	Clip, Wire			(Also Order 876765 Tube Kit)	63	2209709	Union
6	489099	Screw	30	2157397	Unit Mounting Frame	Following Parts Not Illustrated and Optional Parts Not Included		
8	2161302	Sleeve	31	2187398	Unit, Harness (Includes Power Cord)			
9	2158826	Dampener	32	2181929	Fan, Motor Bracket			
10	509812	Grommet	33	2188175	Heater, Defrost			
11	488687	Screw	34	2161330	Clip			
12	4387731	Cover (Service Overload (Service, Includes Relay))	35	2196155	Bi-Metal, Defrost			
13	4387835	(Service, Includes Relay)	37	489473	Screw			
14	2205765	Tube Suction	39	489340	Grommet (4)			
15	2216914	Clip, Condenser	40	2189942	Screw (Production)			
16	2212194	Start Device, Combination (Start Relay and Overload) For Production	41	2189898	Seal Ring			
17	999532	Capacitor (Production)	42	2155547	Clip, Heat Shield	978025	Valve, Access (1/4")	
	4387764	(Service)	43	2206281	Unit Cover, Bottom	978026	Valve, Access (5/16")	
18	2211760	Tube, Condenser to Heat Loop	44	489396	Clip	978027	Valve, Access (3/8")	
21	489478	Screw	48	1127911	Unit Mounting Rail	978028	Valve, Access (1/2")	
22	2209611	Evaporator	49	8281232	Screw	978029	Valve, Access (5/8")	
23	2161324	Clamp	50	2186495	Guard, Fan	978030	Valve, Access (3/4")	
24	2188537	Fan, Motor				876764	Valve, Access (3/16")	
						REFRIGERANT CHARGE		
						5.0 oz. (R-134A)		

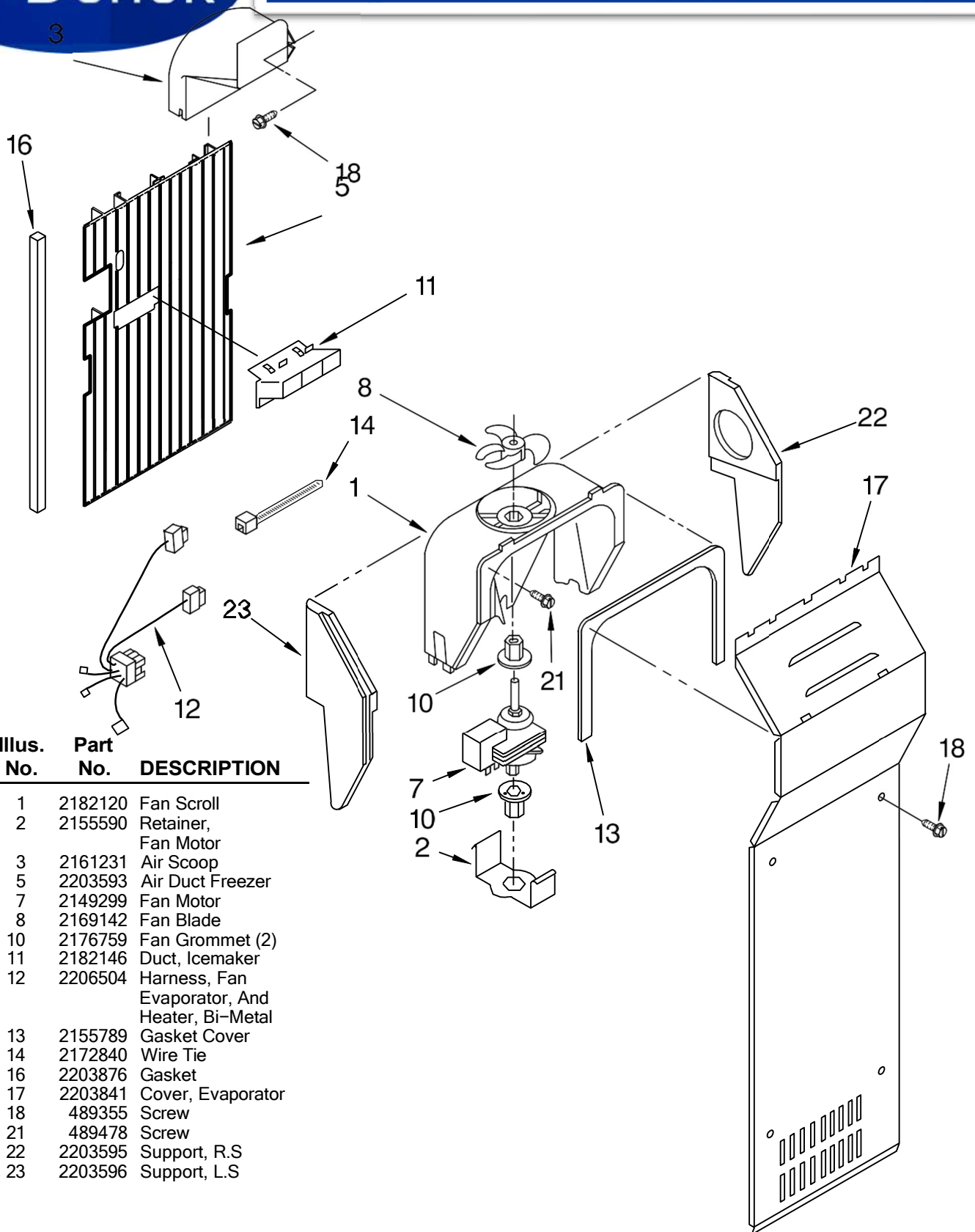


FOR ORDERING INFORMATION REFER TO PARTS PRICE LIST

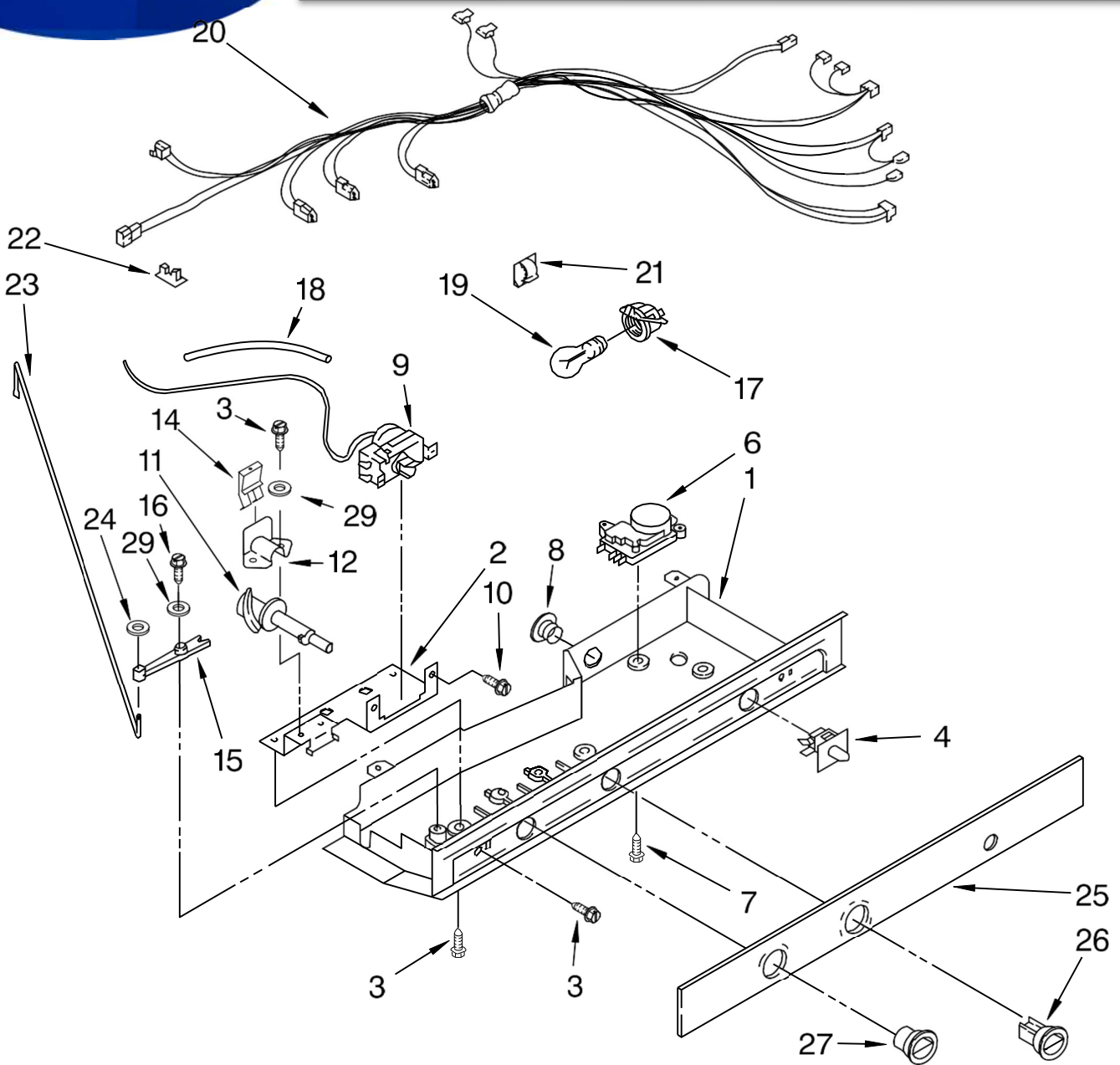
BENITO JUÁREZ #1500 GPE ZITON, CD. GUADALUPE NUEVO LEÓN TEL: 8183377999 Y 49

HORARIOS: LUNES A VIERNES 8:30 A 6:00 PM Y SÁBADOS DE 8:30 A 2:00 PM

www.denek.com



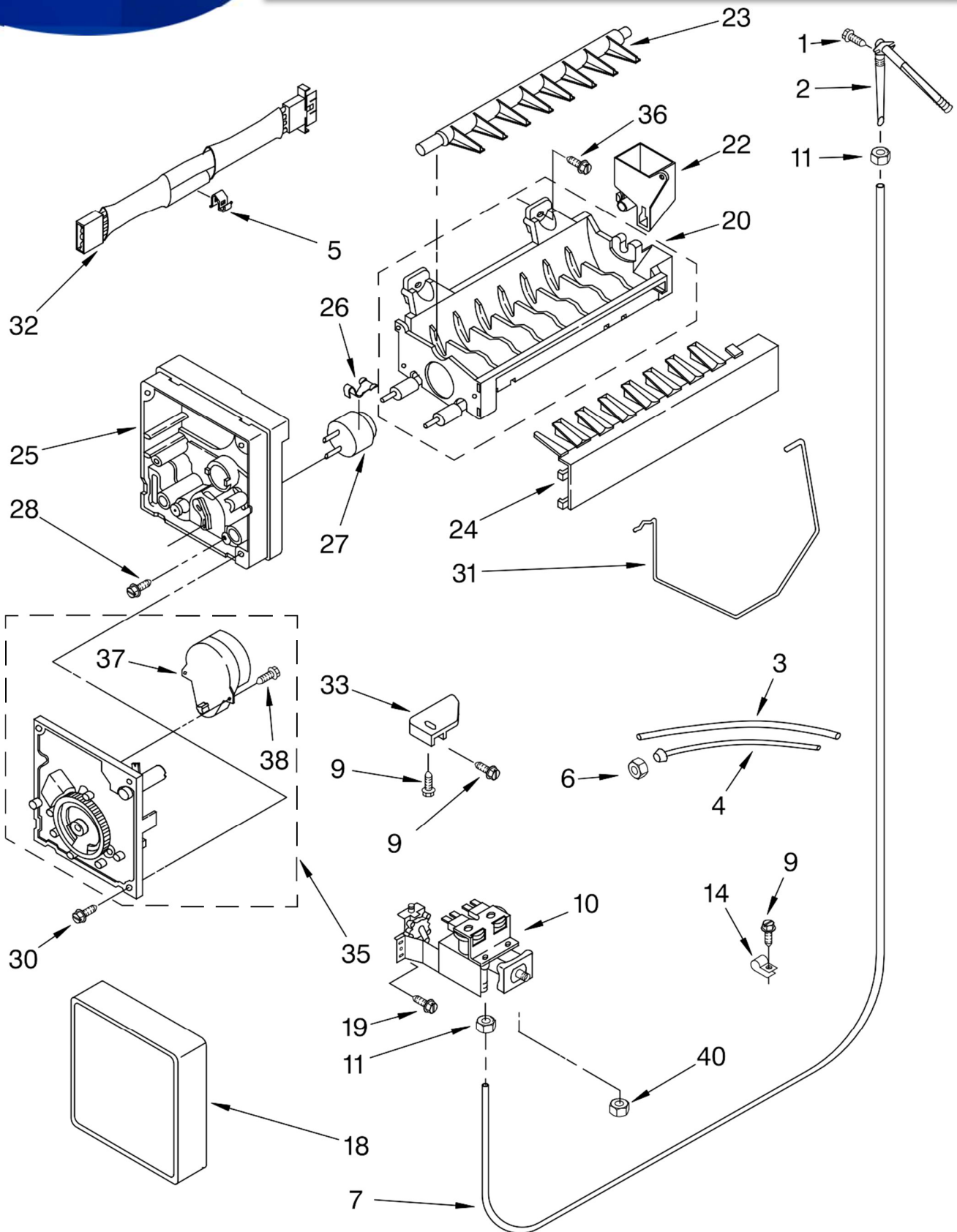
Illus. No.	Part No.	DESCRIPTION
1	2182120	Fan Scroll
2	2155590	Retainer, Fan Motor
3	2161231	Air Scoop
5	2203593	Air Duct Freezer
7	2149299	Fan Motor
8	2169142	Fan Blade
10	2176759	Fan Grommet (2)
11	2182146	Duct, Icemaker
12	2206504	Harness, Fan Evaporator, And Heater, Bi-Metal
13	2155789	Gasket Cover
14	2172840	Wire Tie
16	2203876	Gasket
17	2203841	Cover, Evaporator
18	489355	Screw
21	489478	Screw
22	2203595	Support, R.S
23	2203596	Support, L.S



Illus. No.	Part No.	DESCRIPTION	Illus. No.	Part No.	DESCRIPTION	Illus. No.	Part No.	DESCRIPTION
1	2200137	Control Box	12	1110560	Bearing Body	21	1115374	Clip, Wiring
2	1110629	Mounting Bracket	14	2196062	Clip, Damper Control	22	1115375	Clip, Wiring
3	3196537	Screw (4)	15	1110559	Pivot Arm	23	1123960	Connecting Rod
4	2149705	Light Switch	16	627068	Screw	24	489285	Fastener, Push-On
6	2188375	Defrost Timer (10 Hr.)	17	2162085	Light Socket	25	2212074	Escutcheon, Control Box
7	489398	Screw (2)	18	2196001	Thermostat, Barrier	26	2182111	Thermostat Knob
8	940014	Hole Plug	19	527949	Light Bulb	27	2197871	Knob, Air Control
9	2198202	Thermostat	20	2206512	Control Box Harness	29	489203	Spring Washer
10	487869	Screw						
11	2182195	Cam Assembly						

FOR ORDERING INFORMATION REFER TO PARTS PRICE LIST

BENITO JUÁREZ #1500 GPE ZITON, CD. GUADALUPE NUEVO LEÓN TEL: 8183377999 Y 49
 HORARIOS: LUNES A VIERNES 8:30 A 6:00 PM Y SÁBADOS DE 8:30 A 2:00 PM
www.denek.com



Illus. No.	Part No.	DESCRIPTION
1	489084	Screw
2	2196157	Fitting, Water Tube
3	2186492	Tube, Filter Inlet
4	2186493	Tube, Filter Outlet
5	628379	Clip, Fuse
6	2200083	Nut, Compression
7	2181940	Tube, Water
9	489478	Screw
10	2205762	Valve, Solenoid
11	627018	Nut, Compression
14	489385	Tube Clamp
18	2174155	Cover
19	488649	Screw
20	628228	Mold & Heater Assembly (Also Order 542638)
22	628356	Cup, Water Fill
23	2194711	Ejector
24	2182124	Ice Striper
25	2194712	Support
26	627796	Retainer, Thermostat
27	628397	Thermostat (Also Order 542369 Cement Alumilastic)
28	489322	Screw
30	489276	Screw
31	2171593	Shut Off Arm
32	2187464	Harness, Wiring
33	628320	Bracket
35	628399	Module Assembly (Includes Items 37 & 38)
36	488208	Screw
37	628398	Motor
38	489136	Screw
40	1129179	Nut, Compression
100	4317943	Complete Icemaker Assembly

FOR ORDERING INFORMATION REFER TO PARTS PRICE LIST

BENITO JUÁREZ #1500 GPE ZITON, CD. GUADALUPE NUEVO LEÓN TEL: 8183377999 Y 49

HORARIOS: LUNES A VIERNES 8:30 A 6:00 PM Y SÁBADOS DE 8:30 A 2:00 PM

www.denek.com

Illus. No.	Part No.	DESCRIPTION
------------	----------	-------------

Parts Not Illustrated and
Optional Parts (Not Included)

Customer Touch-Up Material

*350942	Primer, White (13 Oz. Spray Can)
*350939	Enamel, Black (13 Oz. Spray Can)
*350930	Enamel, White (13 Oz. Spray Can)
*350956	Enamel, Almond (13 Oz. Spray Can)
72017	Brush Touch-Up Kit (White)
72107	Brush Touch-Up Kit (Almond)
72032	Brush Touch-up Kit (Black)

***Caution:** The spray paint is not to be used where the paint may make contact with the door gaskets.

Refinishing Material

799340	Enamel, Black (1 Qt. Uncut)
799344	Enamel, White (1 Qt. Uncut)
978883	Enamel, Almond (1 Qt. Uncut)

Illus. No.	Part No.	DESCRIPTION
------------	----------	-------------

Miscellaneous

212643	Sealer, Gum (4 Feet)
479502	Tape, Vinyl (3/4 x 108")
876370	Kit, Insulation (2 Pcs. x 3" x 24" X 48")
876305	Kit, Insulation (14 Pcs. x 3" x 24" x 48")
978941	Insulation, Fiberglass (63-1/2" x 35-1/2" X 2-5/8)
876029	Kit, Foam Slab (30" x 32-1/2" x 1-1/2")
505587	Sealer, Mastic (1 Qt.)
503695	Cork, Sealer (1/4 Pound)
511873	Touch-Up, White Porcelain (2 Oz.)
542638	Grease, Silicone (1/2 Oz.)
542639	Cement, Aluminilastic (1-1/4 Oz.)
606755	Bag, Insulation (36-5/8" x 46")
799833	Kit, Evaporator Repair (Aluminum Epoxy)
833938	Kit, Terminal Connector
2209780	Ice Container Assembly

TORX SCREW WRENCH

1117510	Torx Key
---------	----------

FOR ORDERING INFORMATION REFER TO PARTS PRICE LIST

BENITO JUÁREZ #1500 GPE ZITON, CD. GUADALUPE NUEVO LEÓN TEL: 8183377999 Y 49

HORARIOS: LUNES A VIERNES 8:30 A 6:00 PM Y SÁBADOS DE 8:30 A 2:00 PM

www.denek.com