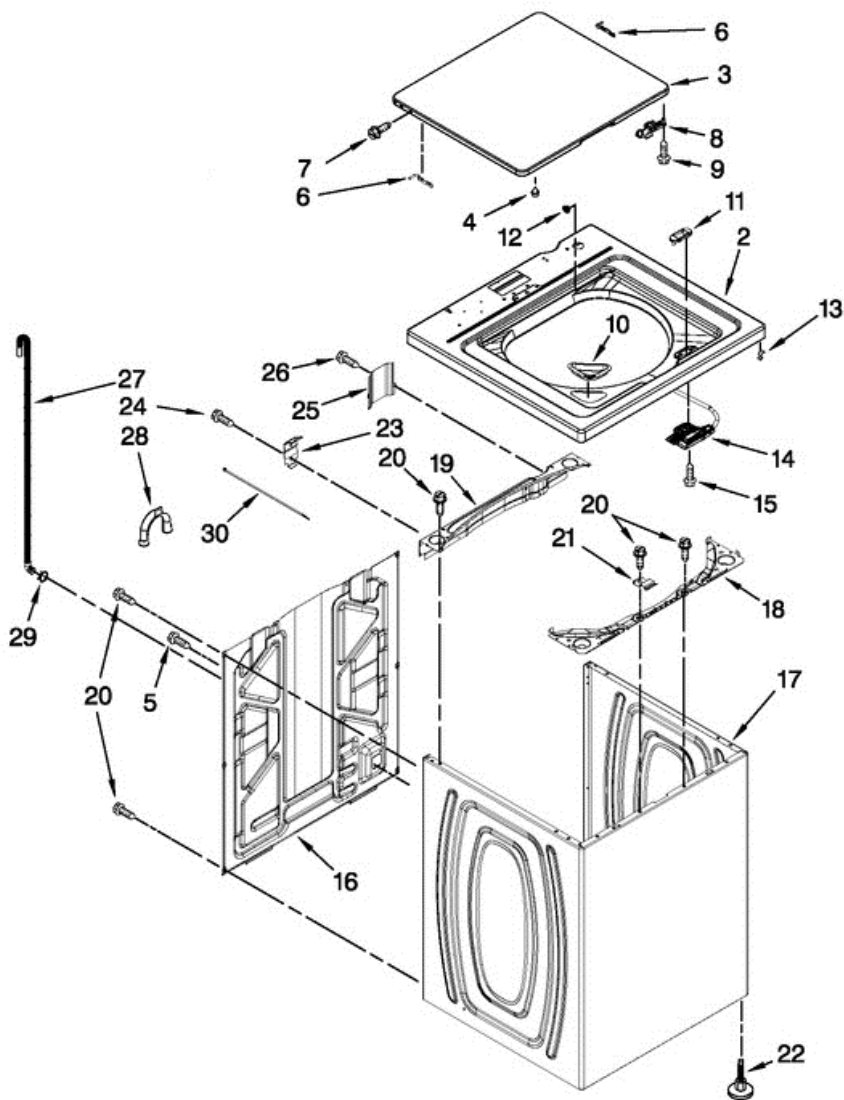


7EWTW1300YM0 GABINETE





7EWTW1300YMO GABINETE

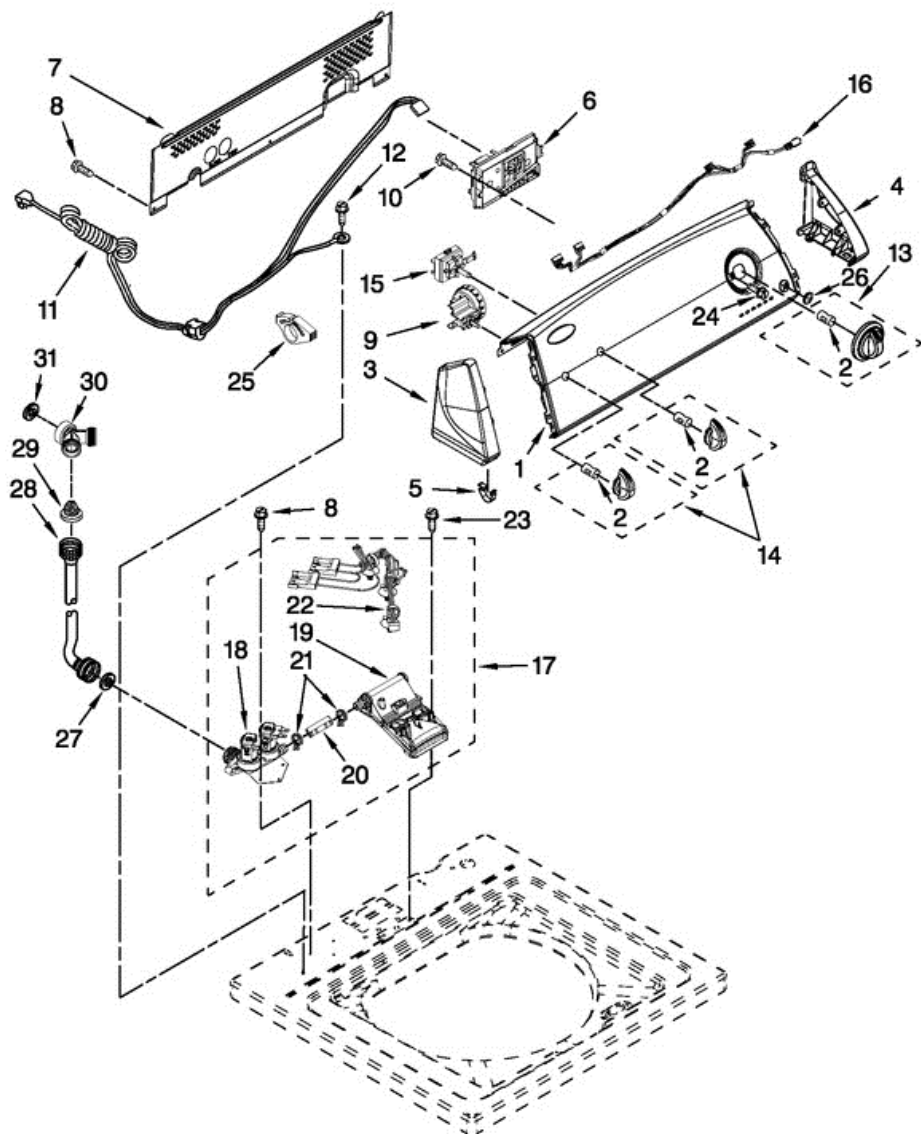
2	W10251299	TOP
3	W10251302	LID (INCLUDES ITEM 4)
4	9724509	BUMPER, LID
5	9740848	SCREW, 8-18 X 1/2
6	91770	HINGE, LID
7	W10119872	SCREW, LID HINGE
8	W10240513	STRIKE, LID LOCK
9	W10273971	SCREW, 6-19 X 1/2
10	W10192089	DISPENSER, BLEACH
11	W10392041	BEZEL, LID LOCK
12	21258	BEARING, LID HINGE
13	90016	CLIP, LID LOCK HARNESS
14	W10238287	LATCH, LID LOCK ASSEMBLY
15	8281163	SCREW 8-16 X 1/2
16	W10250884	PANEL REAR
17	W10251994	CABINET (INCLUDES ITEM 22)
18	W10215098	BRACE, CABINET TOP FRONT
19	W10215099	BRACE, CABINET TOP REAR
20	1157158	SCREW, 8-18 X 3/8
21	W10248088	LOCK, TOP
22	W10335586	FOOT ASSEMBLY, LEVELING
23	W10215102	HINGE, TOP
24	W10142728	SCREW, 8-32 X 3/8
25	W10215139	COVER, HARNESS
26	3400076	SCREW, 10-23 X 5/8
27	W10221546	HOSE, OUTER DRAIN ASSEMBLY
28	W10280024	U-BEND, DRAIN HOSE
29	356138	CLAMP, HOSE
30	W10339879	CABLE TIE

Distribuidor Autorizado

SurteRápido.com

Venta de Refacciones
Electrodomesticas

7EWTW1300YM0 TABLERO

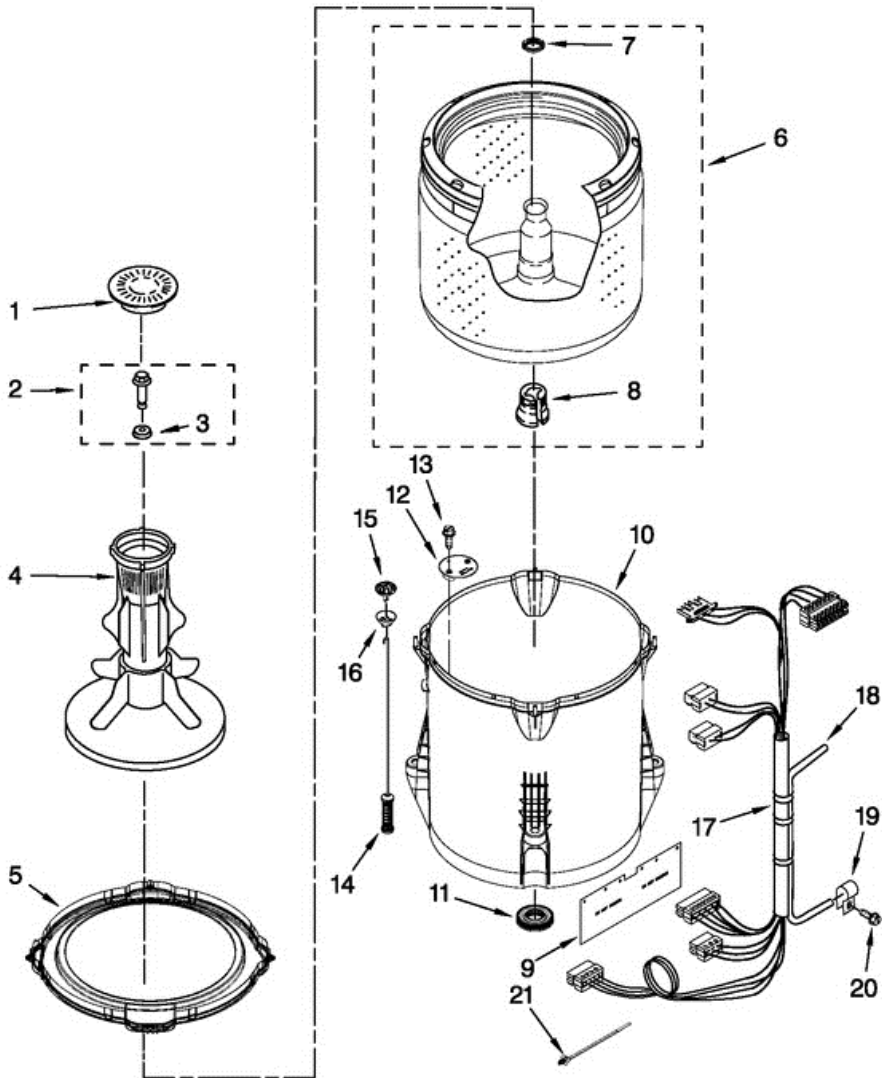




7EWTW1300YM0 TABLERO

1	W10410364	PANEL, CONSOLE
2	8536939	CLIP, KNOB
3	8566035	CAP, END (L.H.) (INCLUDES ITEM 5)
4	8566032	CAP, END (R.H.) (INCLUDES ITEM 5)
5	8312709	CLIP, CONSOLE
6	W10445272	CONTROL UNIT ASSEMBLY, MACHINE & MOTOR
7	W10251310	PANEL, CONSOLE REAR COVER
8	1157158	SCREW, 8-18 X 3/8
9	W10268910	SWITCH, WATER LEVEL
10	90767	SCREW, 8-18 X 3/8
11	W10276649	CORD, POWER
12	3400076	SCREW, POWER CORD GROUND
13	W10034750	KNOB, TIMER
14	W10034380	KNOB, CONTROL
15	W10285511	SWITCH, ROTARY ENCODER
16	W10291178	HARNESS, UPPER
17	W10357189	INLET ASSEMBLY, WATER
18	W10352256	VALVE, WATER MIXING
19	W10334611	VACUUM BREAK
20	W10238347	HOSE, VACUUM BREAK
21	W10117298	CLAMP, HOSE
22	W10344775	HARNESS, VALVE
23	8281163	SCREW 8-16 X 1/2
24	3400818	SCREW, 8-18 X .20
25	W10348582	CLAMP
26	W10251309	PUSHBUTTON, START
27	W10242307	WASHER, WATER INLET HOSE
28	W10194210	HOSE, WATER INLET (COLD WATER)
28	W10196191	HOSE, WATER INLET (HOT WATER)
29	353362	WASHER, FILTER
30	W10269488	CONNECTOR- HOSE, Y
31	3357450	WASHER, EXPORT HOSE ADAPTER

7EWTW1300YM0 TINAS





7EWTW1300YMO TINAS

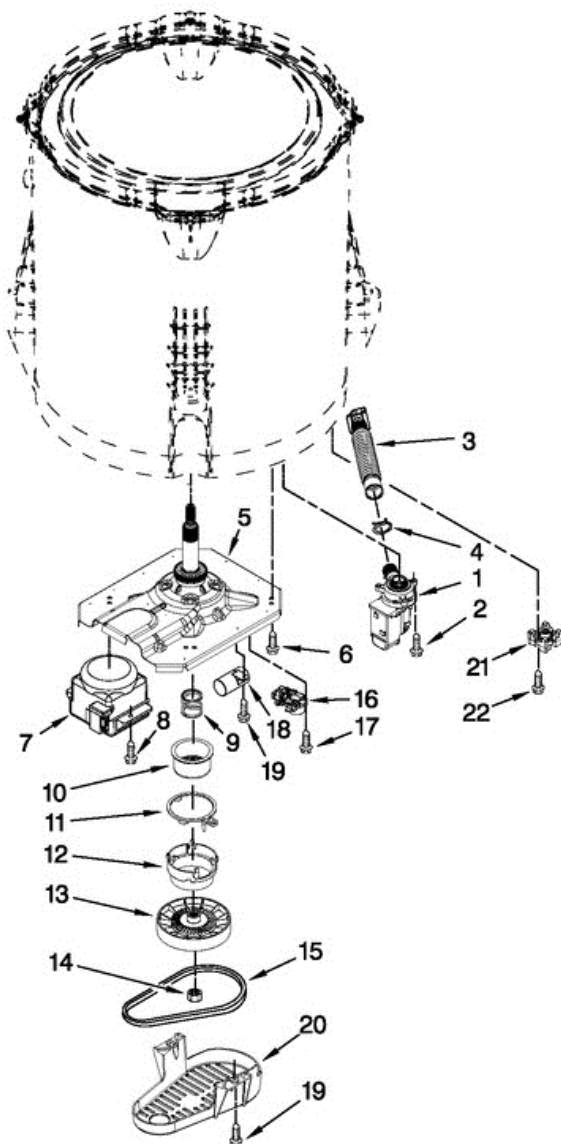
1	3352483	CAP, AGITATOR
2	W10003790	SCREW & WASHER ASSEMBLY
3	3949550	WASHER
4	63377	AGITATOR
5	W10215108	RING, TUB
6	W10389330	BASKET ASSEMBLY
7	21366	NUT, SPANNER
8	389140	BLOCK, BASKET DRIVE
9	W10339098	SHIELD, SPLASH
10	W10238320	TUB (INCLUDES ITEM 11)
11	W10006371	SEAL, TUB
12	W10215093	FILTER, DRAIN PUMP
13	8533928	SCREW, 8-18 X 3/4
14	W10257088	DAMPER ASSEMBLY, TUB SUSPENSION
15	W10215136	BALL, SUSPENSION (SET OF 4 - INCLUDES ITEM 16)
16	W10256551	BUSHING, SUSPENSION
17	W10297444	HARNESS, LOWER (INCLUDES ITEMS 18 & 21)
18	W10297436	HOSE, PRESSURE SWITCH
19	W10005430	CLAMP, PRESSURE HOSE RETAINER
20	8533943	SCREW, 10-16 X 3/4
21	W10298887	CABLE TIE

Distribuidor Autorizado

SurteRápido.com

Venta de Refacciones
Electrodomesticas

7EWTW1300YM0 TRANSMISION





7EWTW1300YM0 TRANSMISION

1	W10276397	PUMP ASSEMBLY, DRAIN
2	W10004910	SCREW, 12-16 X 1.25
3	W10215091	HOSE, INNER DRAIN ASSEMBLY
4	8317496	CLAMP, HOSE
5	W10006378	GEARCASE ASSEMBLY
6	W10249633	SCREW, 7.2-1.6 X 30
7	W10006415	MOTOR, DRIVE
8	W10094780	SCREW, M8-1.25 X 20
9	W10006382	SPRING, SPLUTCH (INCLUDES ITEMS 10, 11, 12 & 13)
10	W10006352	SLIDER, SPLUTCH (INCLUDES ITEMS 9, 11, 12 & 13)
11	W10006353	CAM RING, SPLUTCH (INCLUDES ITEMS 9, 10, 12 & 13)
12	W10006354	CAM, SPLUTCH (INCLUDES ITEMS 9, 10, 11 & 13)
13	W10006356	PULLEY
14	W10163336	NUT, PULLEY
15	W10006384	BELT, DRIVE
16	W10006355	ACTUATOR, SHIFT
17	9741052	SCREW, 6-32 X 1.00
18	W10278556	CAPACITOR, MOTOR RUN
19	357640	SCREW, 10-16 X 5/8
20	W10006383	SHIELD, PULLEY COVER
21	W10238318	COUNTERWEIGHT
22	W10238319	SCREW, 8-18 X 1.00