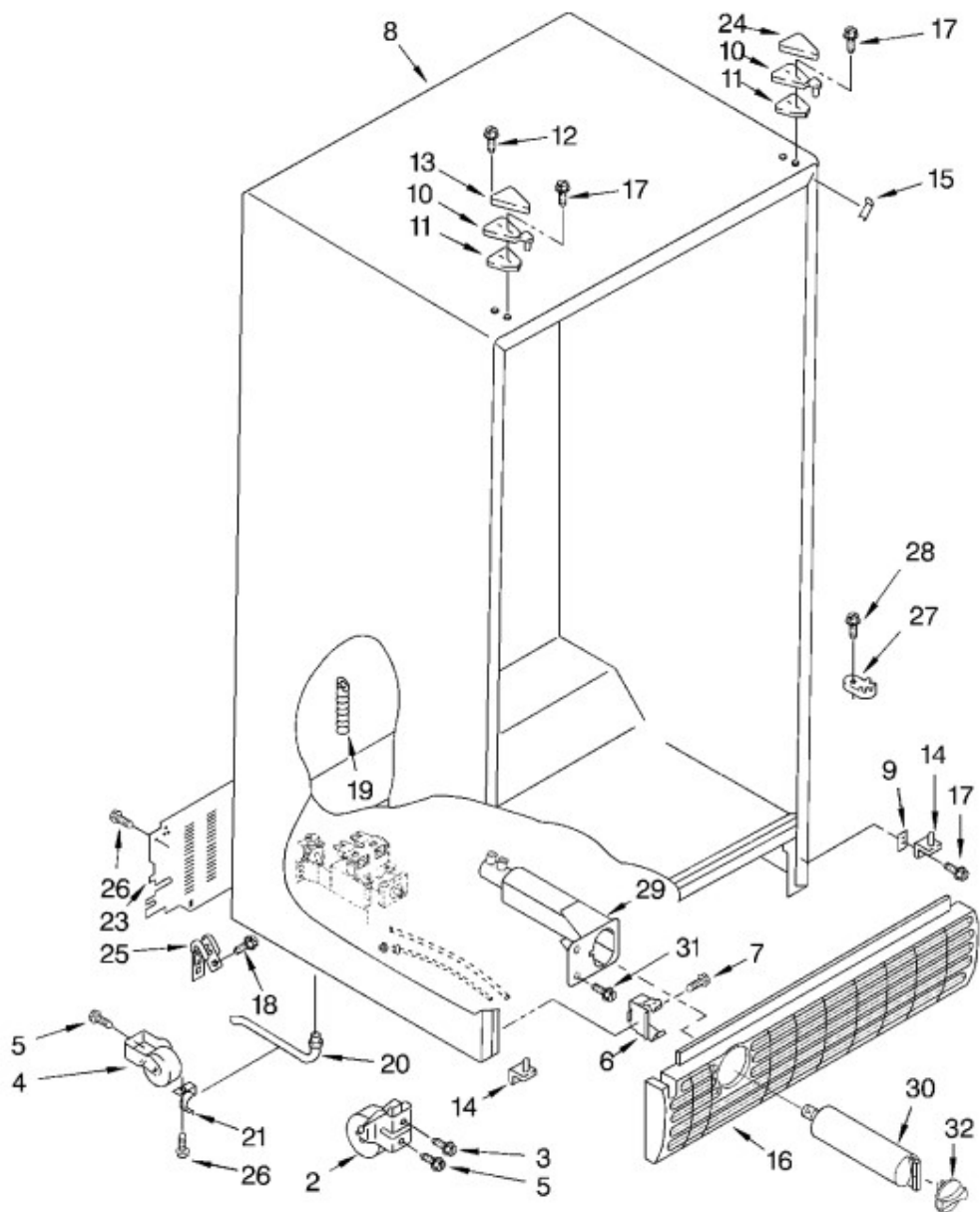
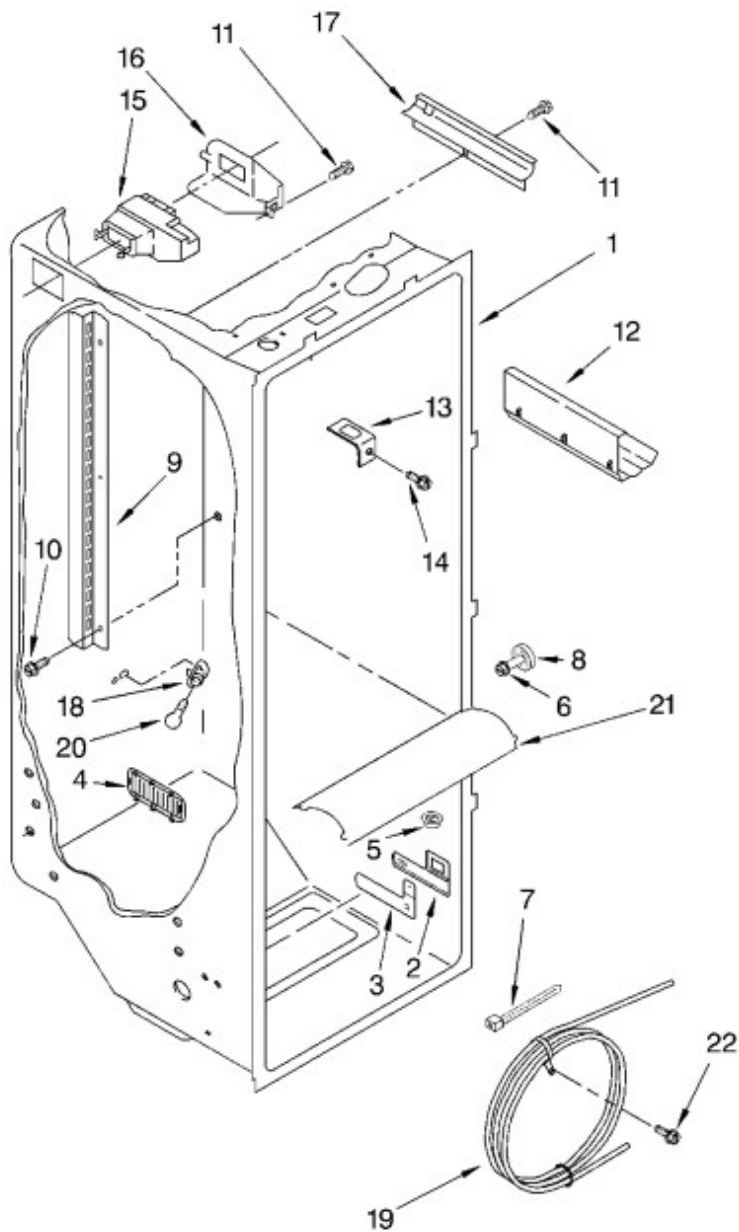


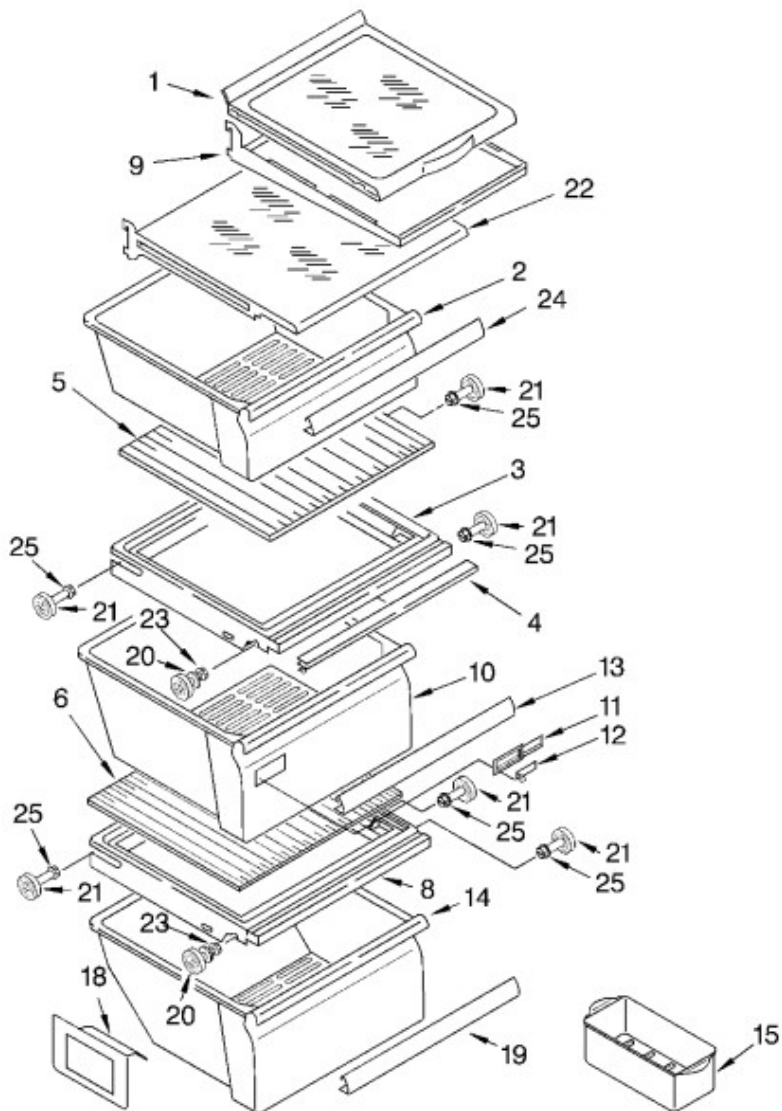
Refrigerador Whirlpool 7GD22DFXFW01



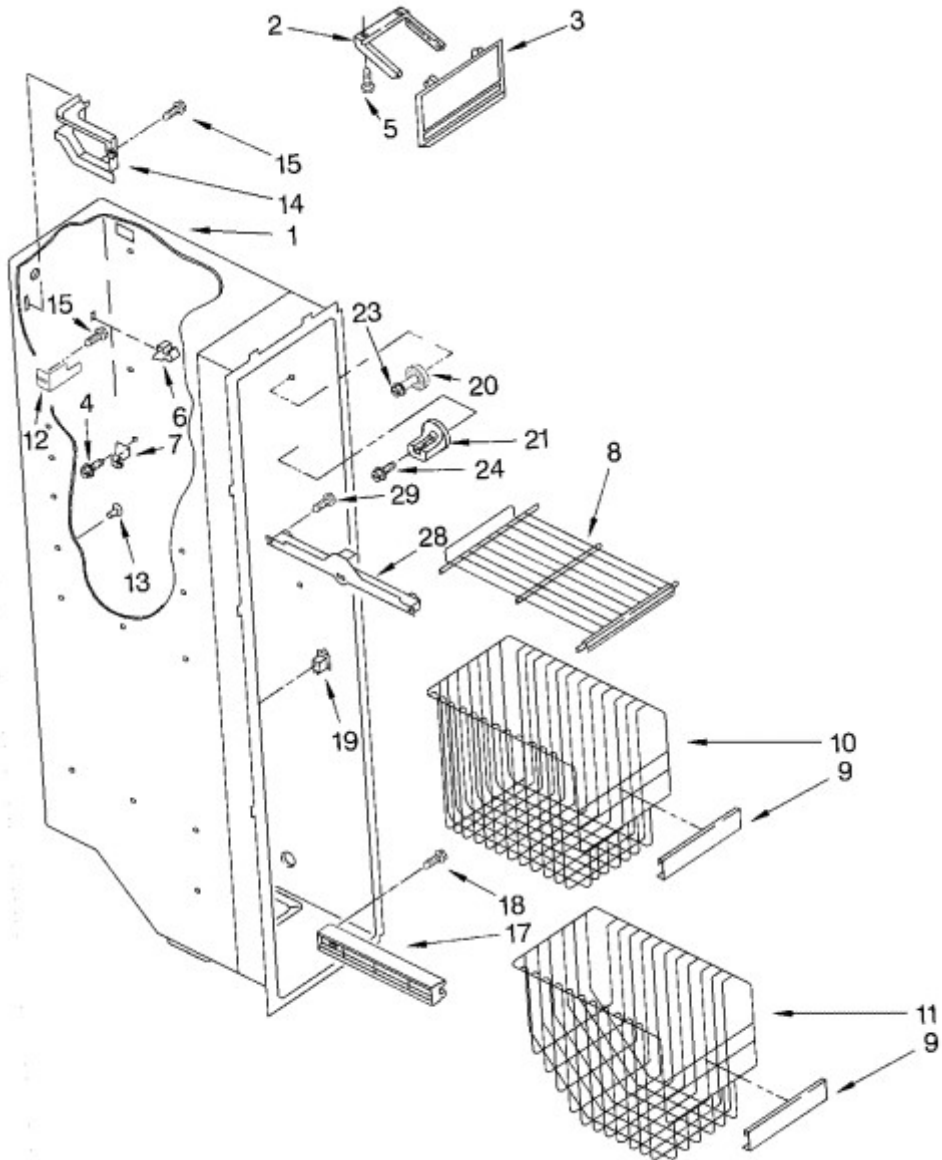
Refrigerador Whirlpool 7GD22DFXW01



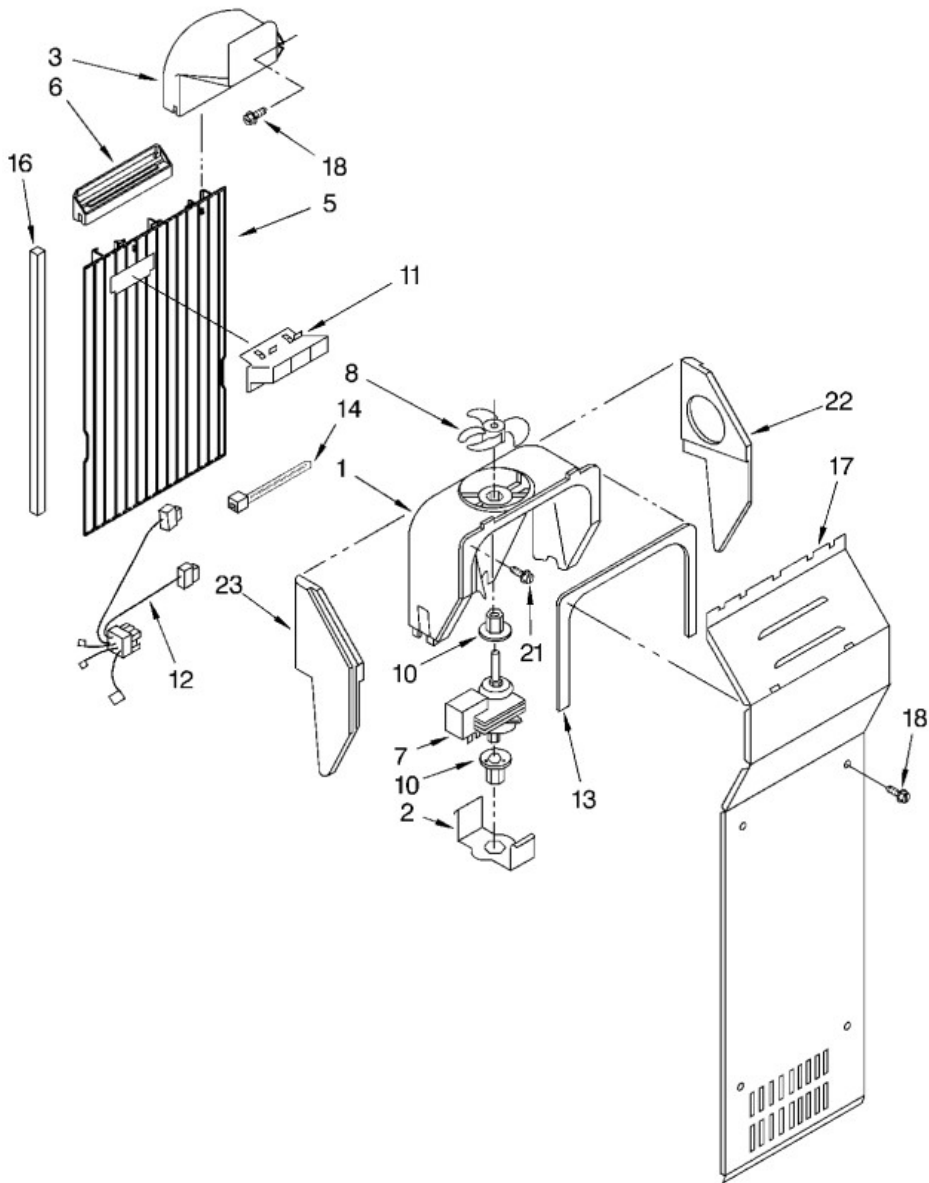
Refrigerador Whirlpool 7GD22DFXFW01



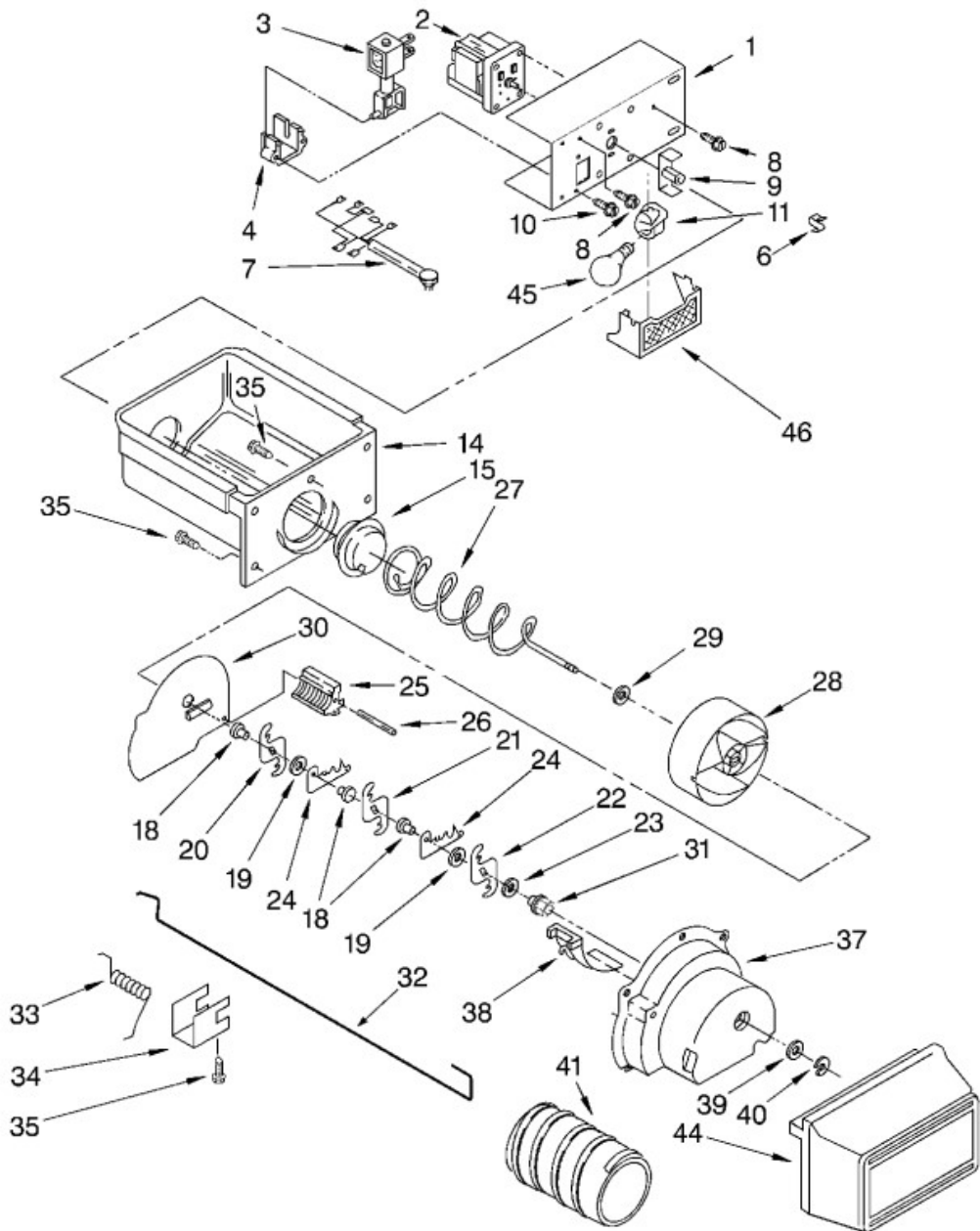
Refrigerador Whirlpool 7GD22DFXFW01



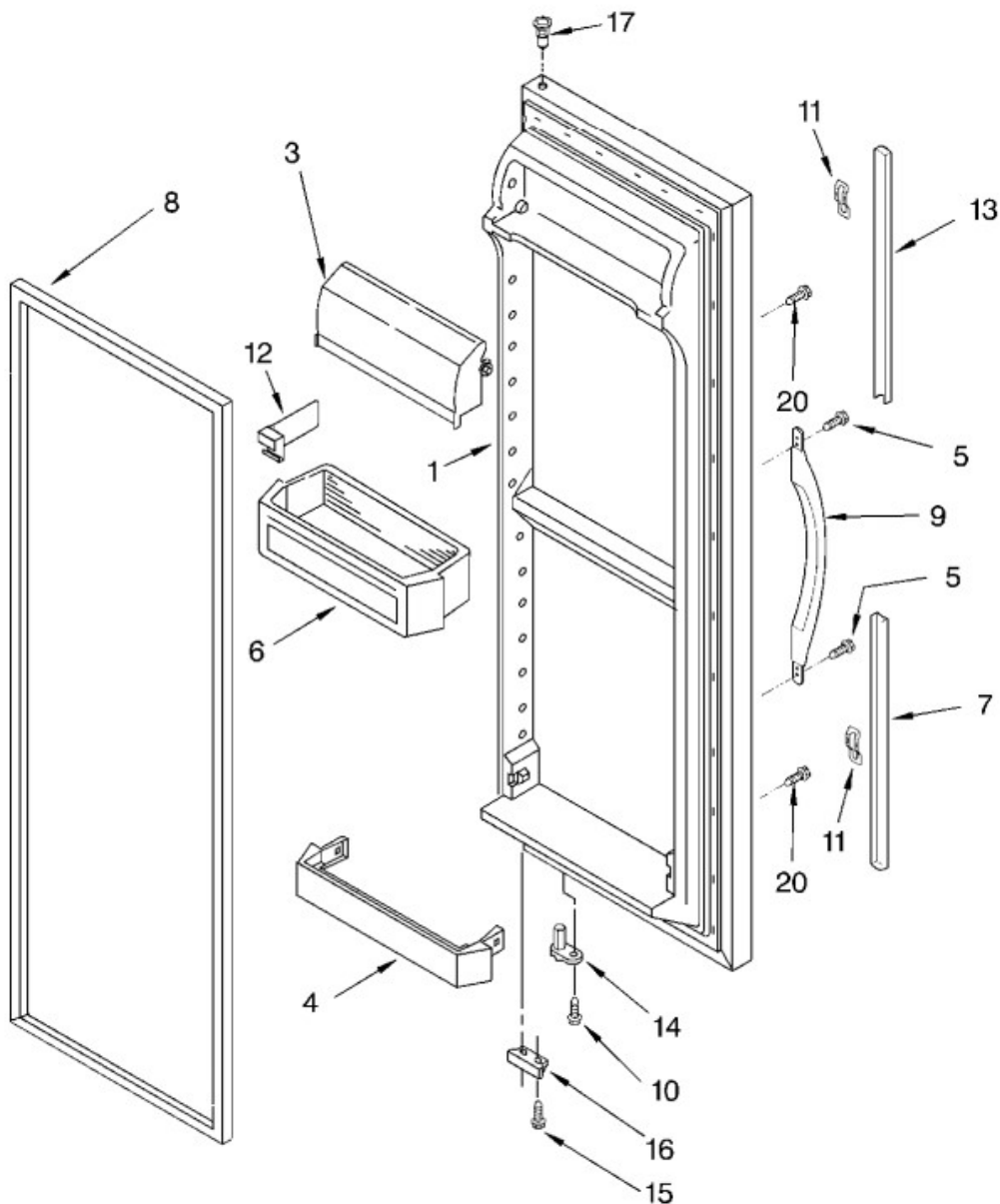
Refrigerador Whirlpool 7GD22DFXW01



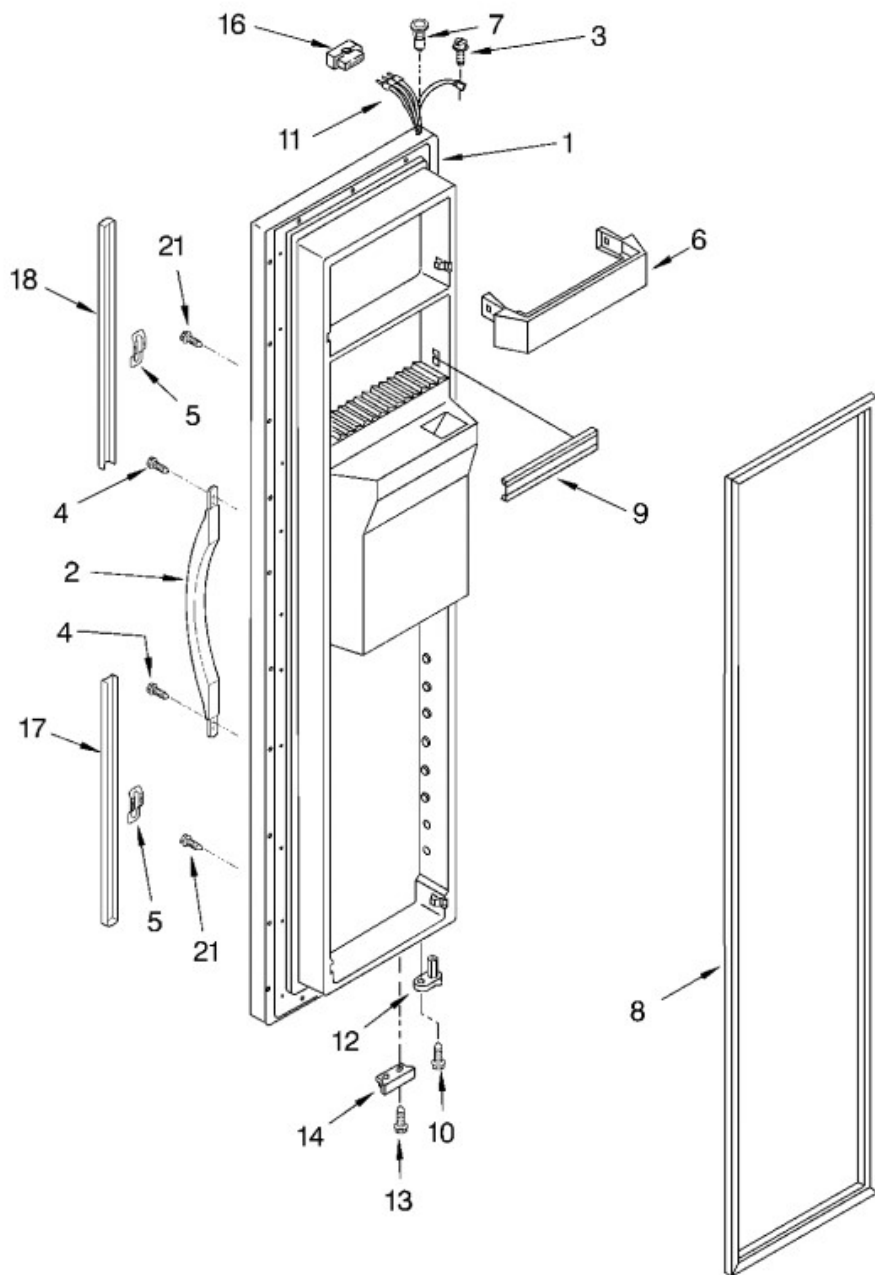
Refrigerador Whirlpool 7GD22DFXFW01



Refrigerador Whirlpool 7GD22DFXFW01

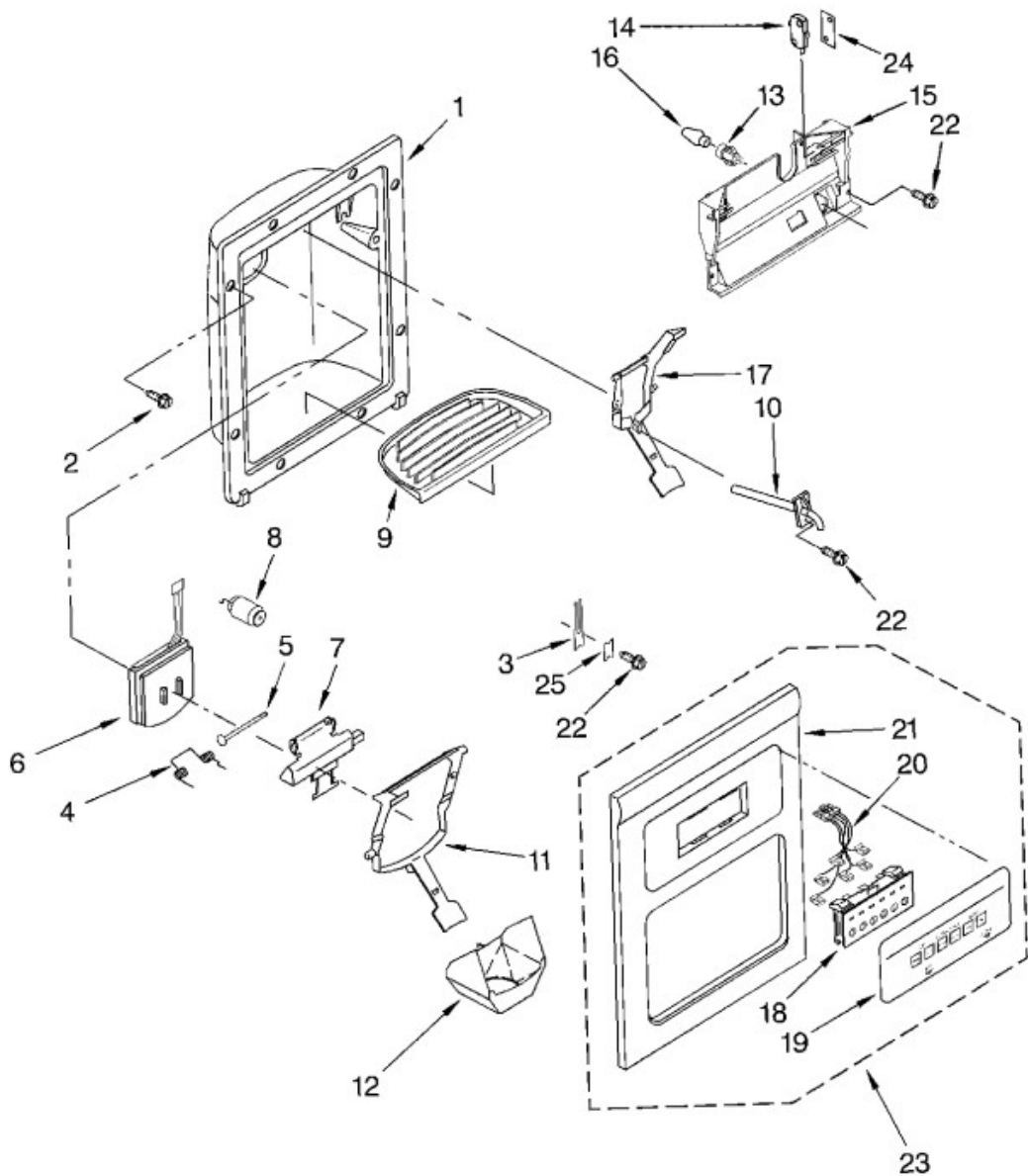


Refrigerador Whirlpool 7GD22DFXFW01





Refrigerador Whirlpool 7GD22DFXFW01

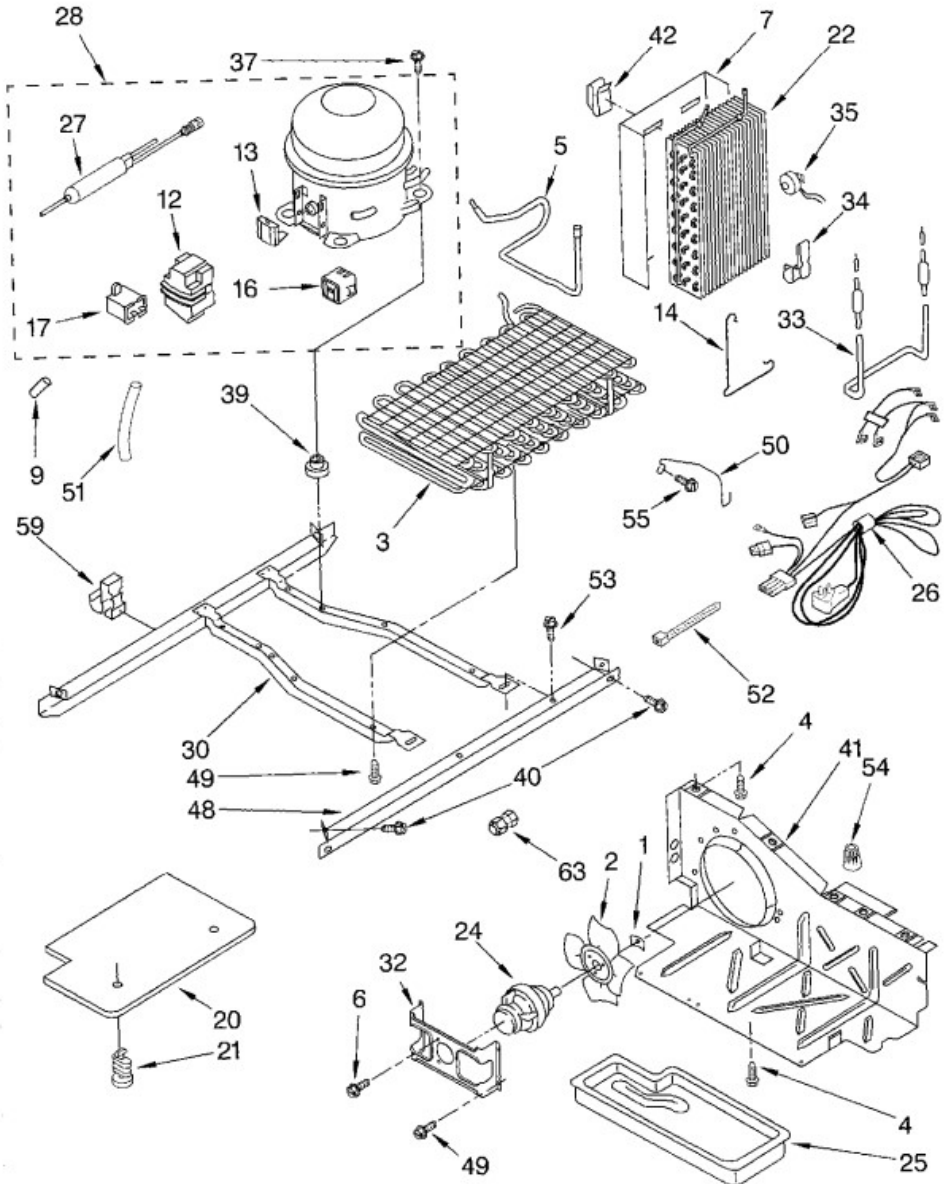


Distribuidor Autorizado

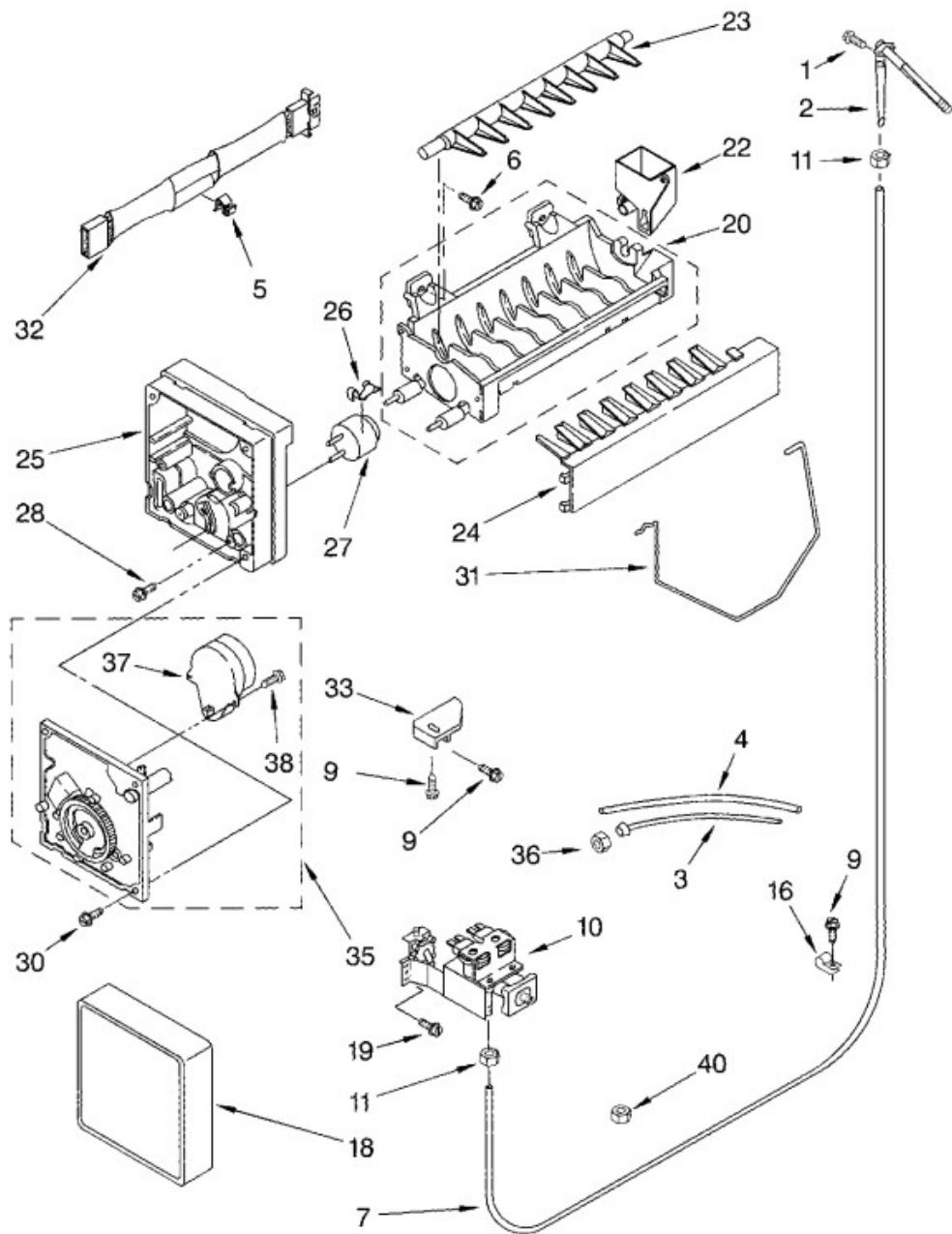
SurteRápido.com

Venta de Refacciones  
Electrodomesticas

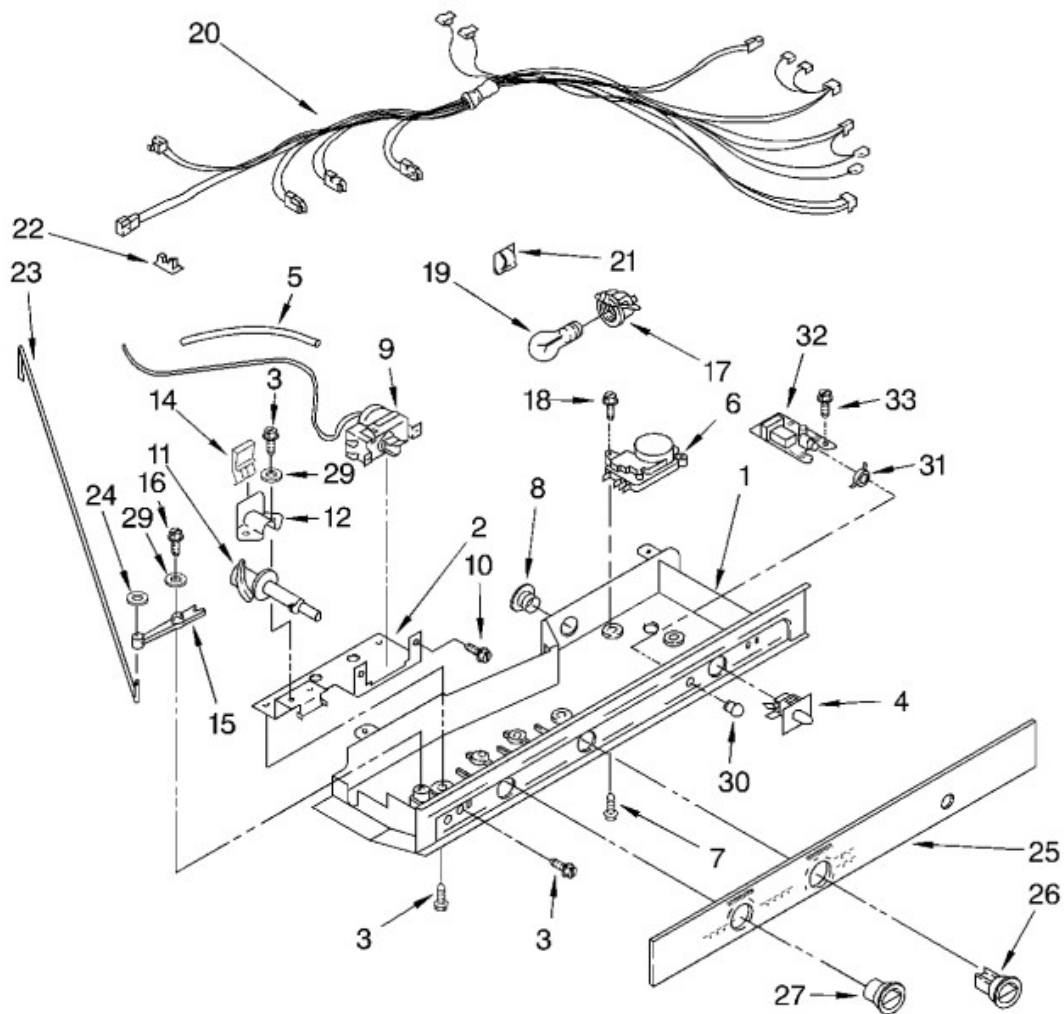
# Refrigerador Whirlpool 7GD22DFXFW01



Refrigerador Whirlpool 7GD22DFXW01



Refrigerador Whirlpool 7GD22DFXFW01





## Refrigerador Whirlpool 7GD22DFXFW01

| <b>CABINET</b> |                            |          |
|----------------|----------------------------|----------|
| <b>2</b>       | Front Roller (2)           | 2174748  |
| <b>3</b>       | Screw                      | 3400517  |
| <b>4</b>       | Roller (Rear) (2)          | 2196236  |
| <b>5</b>       | Screw                      | 489427   |
| <b>6</b>       | Clip, Grille               | 2155013  |
| <b>7</b>       | Screw                      | 489478   |
| <b>9</b>       | Shim                       | 2156056  |
| <b>10</b>      | Hinge Top (2)              | 2196046  |
| <b>11</b>      | Shim, Hinge Top            | 2196048  |
| <b>12</b>      | Screw                      | 489284   |
| <b>13</b>      | Hinge Cover (White)        | 1129262  |
| <b>14</b>      | Hinge Bottom (2)           | 2171851  |
| <b>15</b>      | Filler, Wrapper (White)    | 2196094  |
| <b>16</b>      | Grille (White)             | 2198467W |
| <b>17</b>      | Screw                      | 489497   |
| <b>18</b>      | Screw                      | 489464   |
| <b>19</b>      | Drain Fitting              | 940139   |
| <b>20</b>      | Extension Tube             | 1108438  |
| <b>21</b>      | Clip, Drain Tube           | 1108439  |
| <b>23</b>      | Cover, Unit                | 2171938  |
| <b>24</b>      | Hinge Cover (White)        | 1119787  |
| <b>25</b>      | Clamp, Service Cord        | 549193   |
| <b>26</b>      | Screw                      | 489084   |
| <b>27</b>      | Door Closer, Lower Cam (2) | 2155311  |
| <b>28</b>      | Screw                      | 489483   |
| <b>29</b>      | Housing, Water Filter      | 2186443  |
| <b>30</b>      | Water Filter               | 2203220  |
| <b>31</b>      | Screw                      | 489500   |



## Refrigerador Whirlpool 7GD22DFXFW01

|                           |                                   |          |
|---------------------------|-----------------------------------|----------|
| <b>32</b>                 | Cap Water Filter (White)          | 2186494W |
| <b>REFRIGERATOR LINER</b> |                                   |          |
| <b>2</b>                  | Escutcheon, Meat Pan Control      | 2194744  |
| <b>3</b>                  | Slide Meat Pan Control            | 2182757  |
| <b>4</b>                  | Louver                            | 2182147  |
| <b>5</b>                  | Release Valve                     | 2171846  |
| <b>6</b>                  | Screw                             | 8281158  |
| <b>7</b>                  | Strap                             | 2205813  |
| <b>8</b>                  | Stud Assembly                     | 2196483  |
| <b>9</b>                  | Shelf Ladder                      | 2181796  |
| <b>10</b>                 | screw                             | 487539   |
| <b>11</b>                 | Screw (2)                         | 486298   |
| <b>12</b>                 | Rack, Wine & Egg                  | 2179404  |
| <b>13</b>                 | Bracket Retainer                  | 1123919  |
| <b>14</b>                 | Screw                             | 489290   |
| <b>15</b>                 | Air Diffuser Assembly             | 2208271  |
| <b>16</b>                 | Air Diffuser Cover                | 2152019  |
| <b>17</b>                 | Cover, Conduit                    | 2150331  |
| <b>18</b>                 | Socket                            | 2162085  |
| <b>19</b>                 | Reservoir                         | 2209687  |
| <b>20</b>                 | Light Bulb                        | 527949   |
| <b>21</b>                 | Light Lens                        | 2203266  |
| <b>22</b>                 | Screw                             | 488280   |
| <b>RERIGERATOR SHELF</b>  |                                   |          |
| <b>1</b>                  | Shelf Assembly, Glass Sliding (2) | 2194736  |
| <b>2</b>                  | Snack Bin                         | 2196233  |
| <b>3</b>                  | Cover, Crisper                    | 2194578  |
| <b>4</b>                  | Gasket, Cover (Front)             | 2174442  |



## Refrigerador Whirlpool 7GD22DFXFW01

|                      |                         |         |
|----------------------|-------------------------|---------|
| 5                    | Glass, Cover            | 2174150 |
| 6                    | Glass, Cover            | 2179259 |
| 8                    | Cover, Meat Pan         | 2189601 |
| 9                    | Frame, Shelf (2)        | 2195975 |
| 10                   | Crisper Pan             | 2196232 |
| 11                   | Front, Crisper Pan      | 2179343 |
| 12                   | Slide, Humidity Control | 2179342 |
| 13                   | Trim, Handle            | 2194913 |
| 14                   | Meat Pan                | 2196231 |
| 15                   | Egg Bin                 | 2182730 |
| 18                   | Deflector               | 2179350 |
| 19                   | Trim, Handle            | 2194906 |
| 20                   | Stud Assembly           | 2196485 |
| 21                   | Stud Assembly           | 2196483 |
| 22                   | Shelf, Snack Bin        | 2209601 |
| 23                   | Screw                   | 3400894 |
| 24                   | Trim, Handle            | 2179243 |
| 25                   | Screw                   | 8281158 |
| <b>FREEZER LINER</b> |                         |         |
| 2                    | Slide, Ice Door         | 1115380 |
| 3                    | Door, Ice Compartment   | 2171712 |
| 4                    | Screw                   | 3400893 |
| 5                    | Screw                   | 489478  |
| 6                    | Clip, Air Duct (2)      | 842534  |
| 7                    | Support, Stud (4)       | 2196206 |
| 8                    | Shelf                   | 2174249 |
| 9                    | Trim, Basket            | 2195904 |
| 10                   | Basket, Tall            | 2181761 |



## Refrigerador Whirlpool 7GD22DFXFW01

|                 |                                      |         |
|-----------------|--------------------------------------|---------|
| <b>11</b>       | Basket, Slope                        | 2181762 |
| <b>12</b>       | Bracket, Fill Tube                   | 2209674 |
| <b>13</b>       | Grommet (4)                          | 2176134 |
| <b>14</b>       | Wiring Cover                         | 2155572 |
| <b>15</b>       | Screw                                | 489355  |
| <b>17</b>       | Shelf Track (Right Side (2))         | 2181760 |
|                 | Shelf Track (Left Side (2))          | 2181759 |
| <b>18</b>       | Screw                                | 486298  |
| <b>19</b>       | Switch, Rocker Arm                   | 1115373 |
| <b>20</b>       | Stud Assembly                        | 2196483 |
| <b>21</b>       | Stud, Rear                           | 2196207 |
| <b>23</b>       | Screw                                | 8281158 |
| <b>24</b>       | Screw                                | 3400893 |
| <b>28</b>       | Slide, Ice Container (Left Side)     | 1119237 |
|                 | Slide, Ice Container (Right Side)    | 1119293 |
| <b>29</b>       | Screw                                | 489100  |
| <b>AIR FLOW</b> |                                      |         |
| <b>1</b>        | Fan Scroll                           | 2182119 |
| <b>2</b>        | Retainer, Fan Motor                  | 2155590 |
| <b>3</b>        | Air Scoop                            | 2161231 |
| <b>5</b>        | Air Duct Freezer                     | 2203591 |
| <b>6</b>        | Diffuser Air Duct                    | 2149544 |
| <b>7</b>        | Fan Motor                            | 2149299 |
| <b>8</b>        | Fan Blade                            | 2169142 |
| <b>10</b>       | Fan Grommet (2)                      | 2176759 |
| <b>11</b>       | Duct, Ice Maker                      | 2182146 |
| <b>12</b>       | Harness, Fan Evapo, Heater, Bi-Metal | 2186800 |
| <b>13</b>       | Gasket Cover                         | 2155788 |
| <b>14</b>       | Wire Tie                             | 2172840 |





## Refrigerador Whirlpool 7GD22DFXFW01

|                                |                                |         |
|--------------------------------|--------------------------------|---------|
| <b>16</b>                      | Gasket                         | 2203875 |
| <b>17</b>                      | Cover, Evaporator              | 2203840 |
| <b>18</b>                      | Screw                          | 489355  |
| <b>21</b>                      | Screw                          | 489478  |
| <b>22</b>                      | Support, R.S                   | 2203595 |
| <b>23</b>                      | Support, L.S                   | 2203596 |
| <b>MOTOR AND ICE CONTAINER</b> |                                |         |
| <b>1</b>                       | Bracket, Motor                 | 2183728 |
| <b>2</b>                       | Motor, Dispenser               | 2188385 |
| <b>3</b>                       | Soleniod Assembly              | 2152713 |
| <b>4</b>                       | Guide, Solenoid                | 2149100 |
| <b>6</b>                       | Clip, Wiring                   | 1115374 |
| <b>7</b>                       | Wiring Assembly, Ice Dispenser | 2186815 |
| <b>8</b>                       | Screw                          | 489399  |
| <b>9</b>                       | Coupling, Motor                | 2205716 |
| <b>10</b>                      | Screw                          | 489478  |
| <b>11</b>                      | Socket, Light                  | 2162085 |
| <b>14</b>                      | Ice Container                  | 2196089 |
| <b>15</b>                      | Coupling, Conveyor             | 983668  |
| <b>18</b>                      | Spacer, Step (3)               | 1119005 |
| <b>19</b>                      | Spacer, Flat (2)               | 1119007 |
| <b>20</b>                      | Blade, Rotary                  | 1119006 |
| <b>21</b>                      | Blade, Rotary                  | 1119012 |
| <b>22</b>                      | Blade, Rotary                  | 1119013 |
| <b>23</b>                      | Washer, Plain                  | 489235  |
| <b>24</b>                      | Blade, Fixed (2)               | 1119009 |
| <b>25</b>                      | Block, Blade                   | 2157405 |
| <b>26</b>                      | Roll Pin                       | 489229  |
| <b>27</b>                      | Conveyor                       | 2181956 |



## Refrigerador Whirlpool 7GD22DFXW01

|                          |                            |          |
|--------------------------|----------------------------|----------|
| <b>28</b>                | Drum                       | 2196194  |
| <b>29</b>                | Washer                     | 3400912  |
| <b>30</b>                | Floating Baffle            | 2171682  |
| <b>31</b>                | Nut, Bearing               | 1119018  |
| <b>32</b>                | Control Arm                | 2155231  |
| <b>33</b>                | Spring, Return             | 1119020  |
| <b>34</b>                | Retainer Clip, Rod         | 1119021  |
| <b>35</b>                | Screw                      | 488886   |
| <b>37</b>                | Housing, Crusher           | 2180348  |
| <b>38</b>                | Deflector, Ice             | 1119017  |
| <b>39</b>                | Washer, Plain              | 489234   |
| <b>40</b>                | Retainer Ring              | 489236   |
| <b>41</b>                | Sleeve                     | 2152021  |
| <b>44</b>                | Front Cover, Ice Container | 2171709  |
| <b>45</b>                | Light Bulb                 | 527949   |
| <b>46</b>                | Light Lens, Dispenser      | 2171706  |
| <b>REFRIGERATOR DOOR</b> |                            |          |
| <b>1</b>                 | Refrigerator Door          | 2194275W |
| <b>3</b>                 | Door, Compartment          | 2177105  |
| <b>4</b>                 | Trivet, Shelf              | 2156022  |
| <b>5</b>                 | Screw                      | 489491   |
| <b>6</b>                 | Shelf Bin (3)              | 2179607  |
| <b>7</b>                 | Extension, Bottom (White)  | 2194969W |
| <b>8</b>                 | Door Gasket, Magnetic      | 2159073  |
| <b>9</b>                 | Handle, Center (White)     | 2186649W |
| <b>10</b>                | Screw                      | 3400012  |
| <b>11</b>                | Clip (4)                   | 2195327  |
| <b>12</b>                | Divider, Bin               | 2195496  |
| <b>13</b>                | Extension, Top (White)     | 2194971W |



## Refrigerador Whirlpool 7GD22DFXFW01

|                     |  |          |
|---------------------|--|----------|
| <b>14</b>           | Door Closer, Upper Cam                       | 2182178  |
| <b>15</b>           | Screw  | 489420   |
| <b>16</b>           | Bracket, Door Stop (Chrome)                  | 2195950  |
| <b>17</b>           | Thimble-Top                                  | 2182180  |
| <b>20</b>           | Screw  | 3400852  |
| <b>FREEZER DOOR</b> |  |          |
| <b>1</b>            | Freezer Door (White)                         | 2204410W |
| <b>2</b>            | Handle, Center (White)                       | 2186649W |
| <b>3</b>            | Screw  | 8281149  |
| <b>4</b>            | Screw  | 489491   |
| <b>5</b>            | Clip (4)                                     | 2195327  |
| <b>6</b>            | Trivet, Shelf (4)                            | 2156021  |
| <b>7</b>            | Thimble-Top                                  | 2182181  |
| <b>8</b>            | Door Gasket, Magnetic (Service) (Mist Beige) | 2159072  |
| <b>9</b>            | Trim, Door Shelf                             | 2209680  |
| <b>10</b>           | Screw  | 3400012  |
| <b>11</b>           | Wire Harness                                 | 2198271  |
| <b>12</b>           | Door Closer, Upper Cam                       | 2182179  |
| <b>13</b>           | Screw  | 489420   |
| <b>14</b>           | Bracket, Door Stop (Chrome)                  | 2195950  |
| <b>16</b>           | Connector                                    | 2154473  |
| <b>17</b>           | Extension, Bottom (White)                    | 2194969W |
| <b>18</b>           | Extension, Top (White)                       | 2194971W |
| <b>21</b>           | Screw  | 3400852  |
| <b>DISPENSER</b>    |  |          |
| <b>2</b>            | Screw  | 489101   |
| <b>3</b>            | Retainer, Levers                             | 2194719  |
| <b>4</b>            | Spring, Torsion                              | 2180209  |



Refrigerador Whirlpool 7GD22DFXFW01

|             |  |          |
|-------------|--|----------|
| <b>5</b>    | Pin  | 2196195  |
| <b>6</b>    | Door, Ice                                    | 2180352  |
| <b>7</b>    | Door Mechanism Assembly                      | 2180208  |
| <b>8</b>    | Mechanism Delay                              | 2180223  |
| <b>9</b>    | Grille, Overflow (White)                     | 2180241  |
| <b>10</b>   | Water Fitting Assembly (Includes Water Tube) | 2180225  |
| <b>11</b>   | Lever, Ice Dispenser White                   | 2180256  |
| <b>12</b>   | Guide, Ice                                   | 2180224  |
| <b>13</b>   | Lamp Holder                                  | 2180200  |
| <b>14</b>   | Switch (2)                                   | 2162361  |
| <b>15</b>   | Bracket, Control                             | 2183771  |
| <b>16</b>   | Bulb, Light                                  | 3406124  |
| <b>17</b>   | Lever, Water Dispenser White                 | 2180265  |
| <b>18</b>   | Switch Assembly (Also Order No.19)           | 2180236  |
| <b>19</b>   | Overlay, Front Cover (White)                 | 2186555W |
| <b>20</b>   | Wire Assembly                                | 2196199  |
| <b>22</b>   | Screw  | 489000   |
| <b>23</b>   | Front Cover Assembly (White)                 | 2186551W |
| <b>24</b>   | Spacer, Switch (2)                           | 625834   |
| <b>25</b>   | Strain Relief                                | 2195051  |
| <b>UNIT</b> |  |          |
| <b>1</b>    | Speed Nut                                    | 486692   |
| <b>2</b>    | Fan, Blade                                   | 2190685  |
| <b>3</b>    | Condenser Assembly                           | 2204242B |
| <b>4</b>    | Screw  | 489464   |
| <b>5</b>    | Tube Suction                                 | 2204238  |
| <b>6</b>    | Screw  | 489099   |
| <b>7</b>    | Heat Shield And Drain Pan                    | 2149293  |



## Refrigerador Whirlpool 7GD22DFXFW01

|           |                                     |         |
|-----------|-------------------------------------|---------|
| <b>9</b>  | Dampner                             | 2158826 |
| <b>12</b> | Cover (Service Compressor Only)     | 4387731 |
| <b>13</b> | Overload                            | 4387767 |
| <b>14</b> | Clip, Defrost Heater                | 2161324 |
| <b>16</b> | Start-Device, Combination           | 2204412 |
| <b>17</b> | Capacitor (Service Compressor Only) | 4387764 |
| <b>20</b> | Unit Cover, Bottom                  | 2182057 |
| <b>21</b> | Clip                                | 489396  |
| <b>22</b> | Evaporator                          | 2164518 |
| <b>24</b> | Motor, Fan                          | 2176336 |
| <b>25</b> | Tray, Evaporator                    | 2154114 |
| <b>26</b> | Harness, Intermediate               | 2188345 |
| <b>27</b> | Drier                               | 2199167 |
| <b>28</b> | Compressor                          | 2183453 |
| <b>30</b> | Unit Mounting Frame                 | 2160500 |
| <b>32</b> | Bracket, Fan Motor                  | 2181929 |
| <b>33</b> | Heater, Defrost                     | 2188174 |
| <b>34</b> | Clip                                | 2161330 |
| <b>35</b> | Bi-Metal, Defrost                   | 2196155 |
| <b>37</b> | Screw                               | 489387  |
| <b>39</b> | Grommet (4)                         | 2183042 |
| <b>40</b> | Screw                               | 489340  |
| <b>41</b> | Air Baffle                          | 2196202 |
| <b>42</b> | Clip, Heat                          | 2155547 |
| <b>48</b> | Unit Mounting Rail                  | 2149717 |
| <b>49</b> | Screw                               | 488624  |
| <b>50</b> | Guard, Fan                          | 2186496 |
| <b>51</b> | Sleeve                              | 2161302 |



**Refrigerador Whirlpool 7GD22DFXFW01**

|                  |                                    |         |
|------------------|------------------------------------|---------|
| <b>52</b>        | Wire Tie                           | 2172840 |
| <b>53</b>        | Screw                              | 489427  |
| <b>54</b>        | Wire Connector                     | 850145  |
| <b>55</b>        | Screw                              | 489478  |
| <b>59</b>        | Clip, Wire & Tube                  | 2208280 |
| <b>63</b>        | Union                              | 2196152 |
| <b>ICE MAKER</b> |                                    |         |
| <b>1</b>         | Screw                              | 489084  |
| <b>2</b>         | Fitting, Water Tube                | 2196157 |
| <b>3</b>         | Tube, Filter Outlet                | 2186493 |
| <b>4</b>         | Tube, Filter Inlet                 | 2200202 |
| <b>5</b>         | Clip, Fuse                         | 628379  |
| <b>6</b>         | Screw                              | 488208  |
| <b>7</b>         | Tube, Water                        | 2181943 |
| <b>9</b>         | Screw                              | 489478  |
| <b>10</b>        | Valve, Solenoid                    | 2205762 |
| <b>11</b>        | Nut, Compression                   | 627018  |
| <b>16</b>        | Clamp, Tube                        | 489385  |
| <b>18</b>        | Cover                              | 2174155 |
| <b>19</b>        | Screw                              | 488649  |
| <b>20</b>        | Mold & Heater Assembly (Also Order | 628228  |
|                  | Silicone Grease)                   | 542638  |
| <b>22</b>        | Cup-Water Fill                     | 628356  |
| <b>23</b>        | Ejector                            | 2194711 |
| <b>24</b>        | Ice Striper                        | 2182124 |
| <b>25</b>        | Support                            | 2194712 |
| <b>26</b>        | Retainer, Thermostat               | 627796  |



Refrigerador Whirlpool 7GD22DFXFW01

|                    |                            |         |
|--------------------|----------------------------|---------|
| <b>27</b>          | Thermostat (Also Order     | 628397  |
|                    | Cement Alumilastic)        | 542369  |
| <b>28</b>          | Screw                      | 489322  |
| <b>30</b>          | Screw                      | 489276  |
| <b>31</b>          | Shut Off Arm               | 2171593 |
| <b>32</b>          | Harness, Wiring            | 628256  |
| <b>33</b>          | Bracket                    | 628320  |
| <b>35</b>          | Module Assembly            | 628399  |
| <b>36</b>          | Nut, Compression           | 2200083 |
| <b>37</b>          | Motor                      | 628398  |
| <b>38</b>          | Screw                      | 489136  |
| <b>40</b>          | Nut, Compression           | 1129179 |
| <b>100</b>         | Complete Icemaker Assembly | 4317943 |
| <b>CONTROL BOX</b> |                            |         |
| <b>1</b>           | Control Box                | 2200137 |
| <b>2</b>           | Mounting Bracket           | 1110629 |
| <b>3</b>           | Screw (4)                  | 3196537 |
| <b>4</b>           | Light Switch               | 2149705 |
| <b>5</b>           | Tube Barrier               | 2196001 |
| <b>6</b>           | Adaptive Defrost Control   | 2176648 |
| <b>7</b>           | Screw (2)                  | 489398  |
| <b>8</b>           | Hole Plug                  | 940014  |
| <b>9</b>           | Thermostat                 | 2198202 |
| <b>10</b>          | Screw                      | 487869  |
| <b>11</b>          | Cam Assembly               | 2182195 |
| <b>12</b>          | Bearing Body               | 1110560 |
| <b>14</b>          | Clip, Damper Control       | 2196062 |



## Refrigerador Whirlpool 7GD22DFXFW01

|           |                             |         |
|-----------|-----------------------------|---------|
| <b>15</b> | Pivot Arm                   | 1110559 |
| <b>16</b> | Screw                       | 627068  |
| <b>17</b> | Light Socket                | 2162085 |
| <b>18</b> | Screw                       | 489398  |
| <b>19</b> | Light Bulb                  | 527949  |
| <b>20</b> | Control Box Harness         | 2200439 |
| <b>21</b> | Clip, Wiring                | 1115374 |
| <b>22</b> | Clip, Wiring                | 1115375 |
| <b>23</b> | Connecting Rod              | 1123960 |
| <b>25</b> | Escutcheon, Control Box     | 2200100 |
| <b>26</b> | Thermostat knob             | 2182111 |
| <b>27</b> | Knob, Air Control           | 2197871 |
| <b>29</b> | Spring Washer               | 489203  |
| <b>30</b> | Cover, Light Lens           | 2200096 |
| <b>31</b> | Retainer, Light Lens        | 2200097 |
| <b>32</b> | P.C. Board Filter Indicator | 2203384 |
| <b>33</b> | Screw                       | 487869  |