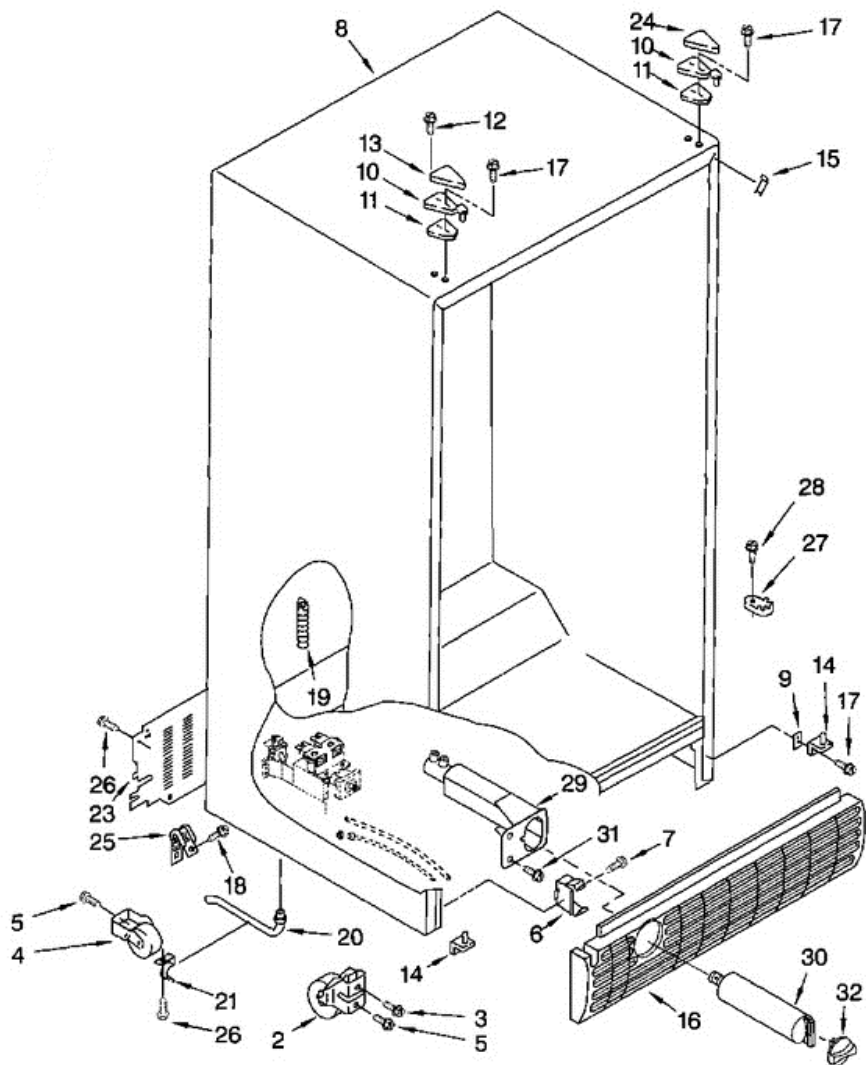


7GD22DFXFW02 CABINET

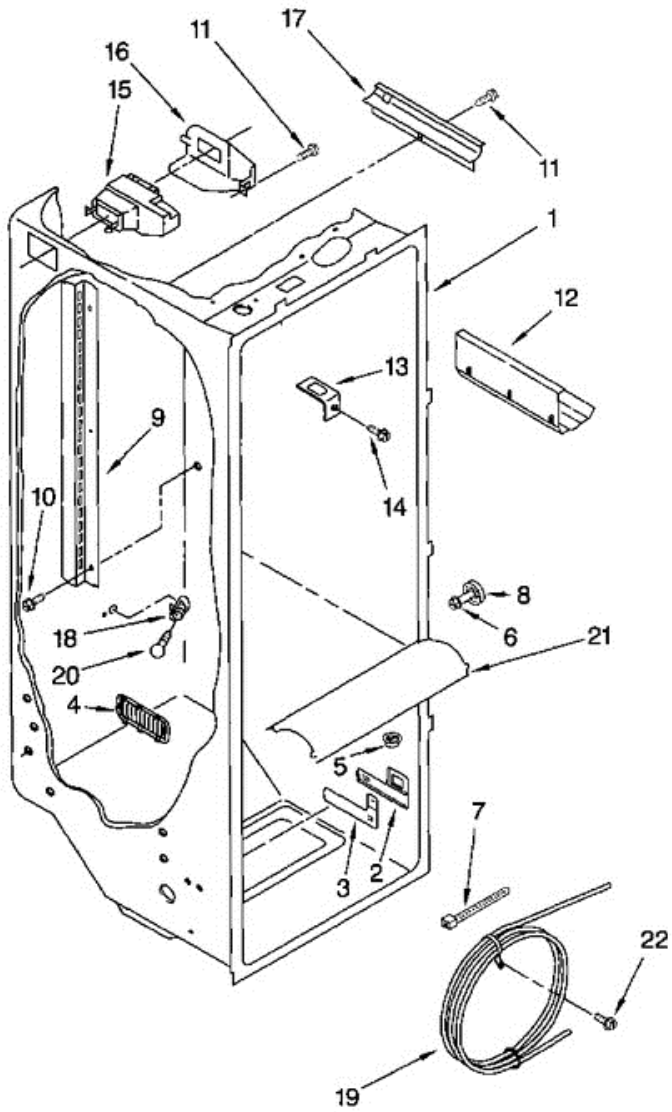




7GD22DFXFW02 CABINET

2	2174748	FRONT ROLLER (2)
3	3400517	SCREW
4	2196236	ROLLER (REAR) (2)
5	489427	SCREW
6	2155013	CLIP, GRILLE
7	489478	SCREW
8	N/A	CABINET (NOT A SERVICEABLE PART)
9	2156056	SHIM
10	2196046	HINGE, TOP (2)
11	2196048	SHIM, HINGE TOP
12	489284	SCREW
13	1129262	HINGE COVER (WHITE)
14	2171851	HINGE BOTTOM (2)
15	2196094	FILLER, WRAPPER (WHITE)
16	2198467W	GRILLE (WHITE)
17	489497	SCREW
18	489464	SCREW
19	940139	FITTING, DRAIN
20	1108438	TUBE, EXTENSION
21	1108439	CLIP, DRAIN TUBE
23	2171938	COVER, UNIT
24	1119787	HINGE COVER (WHITE)
25	549193	CLAMP, SERVICE CORD
26	489084	SCREW
27	2155311	DOOR CLOSER, LOWER CAM (2)
28	489483	SCREW
29	2186443	HOUSING, WATER FILTER
30	2203220	FILTER, WATER
31	489500	SCREW
32	2186494W	CAP, WATER FILTER (WHITE)

7GD22DFXFW02 REFRIGERATOR LINER

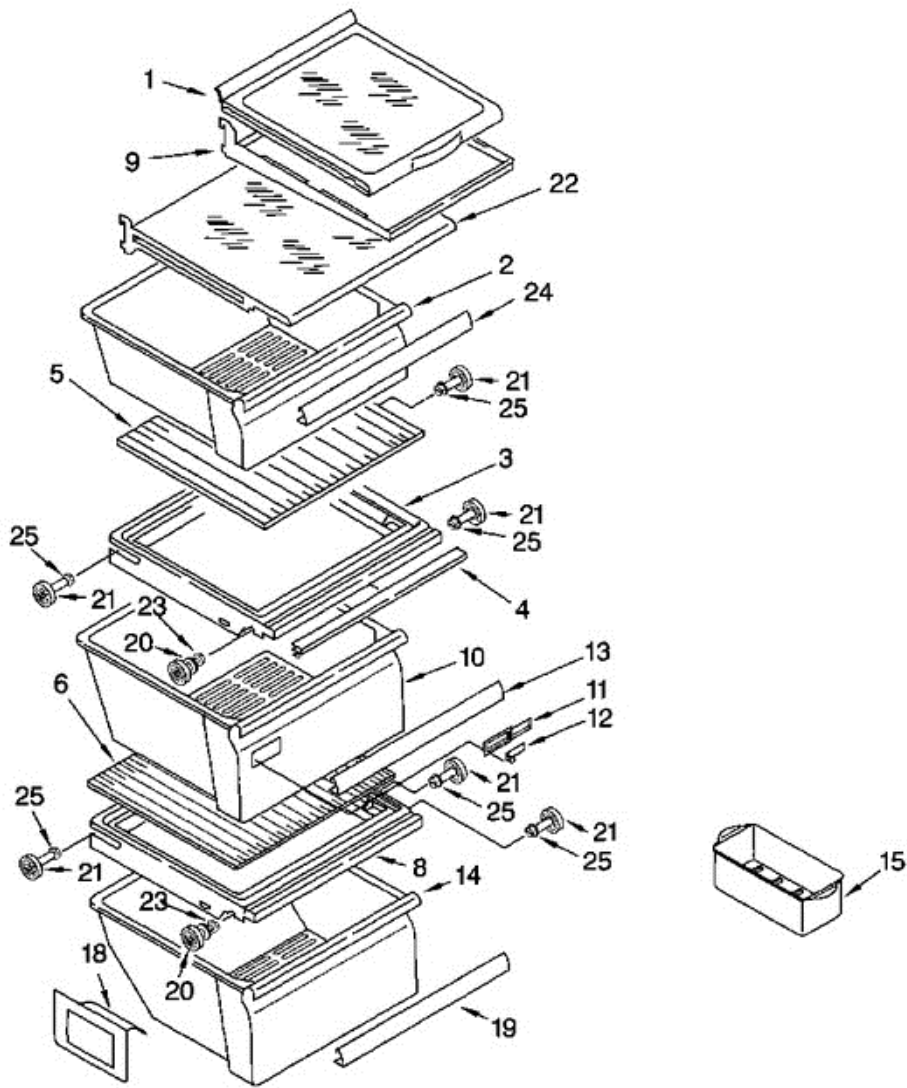




7GD22DFXFW02 REFRIGERATOR LINER

1	N/A	LINER (NOT A SERVICEABLE PART)
2	2194744	ESCUTCHEON, MEAT PAN CONTROL
3	2182757	SLIDE MEAT PAN CONTROL
4	2182147	LOUVER
5	2171846	RELEASE VALVE
6	8281158	SCREW
7	2205813	STRAP
8	2196483	STUD ASSEMBLY
9	2181796	SHELF LADDER
10	487539	SCREW
11	486298	SCREW (2)
12	2179404	RACK, WINE & EGG
13	1123919	BRACKET, RETAINER
14	489290	SCREW
15	2208271	AIR DIFFUSER ASSEMBLY
16	2152019	COVER, AIR DIFFUSER
17	2150331	COVER, CONDUIT
18	2162085	SOCKET
19	2209687	RESERVOIR
20	527949	LIGHT BULB
21	2203266	LIGHT LENS
22	488280	SCREW

**7GD22DFXFW02 REFRIGERATOR
 SHELF**

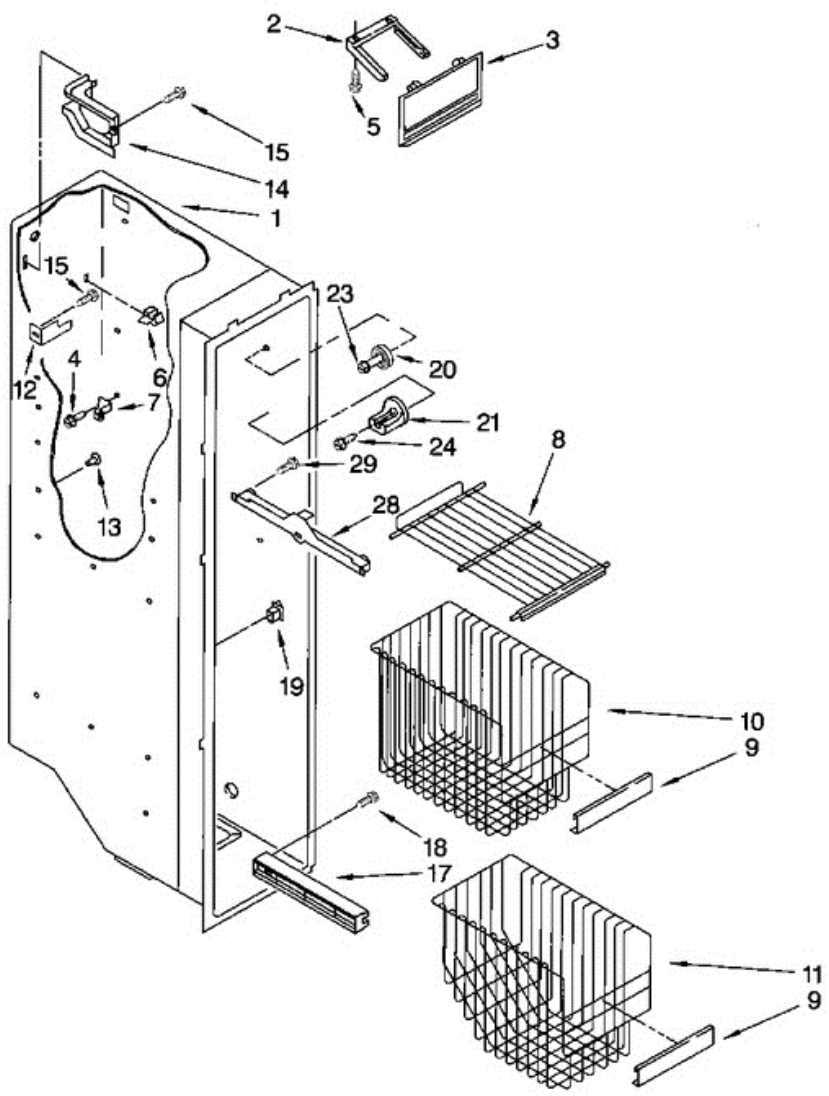




7GD22DFXFW02 REFRIGERATOR SHELF

1	2194736	SHELF ASSEMBLY, GLASS SLIDING (2)
2	2196233	SNACK BIN
3	2194578	COVER, CRISPER
4	2174442	GASKET, COVER (FRONT)
5	2174150	GLASS, COVER
6	2179259	GLASS, COVER
8	2189601	COVER, MEAT PAN
9	2195975	FRAME, SHELF (2)
10	2196232	PAN, CRISPER
11	2179343	FRONT, CRISPER PAN
12	2179342	SLIDE, HUMIDITY CONTROL
13	2194913	TRIM, HANDLE
14	2196231	MEAT PAN
15	2182730	EGG BIN
18	2179350	DEFLECTOR
19	2194906	TRIM, HANDLE
20	2196485	STUD ASSEMBLY
21	2196483	STUD ASSEMBLY
22	2209601	SHELF, SNACK BIN
23	3400894	SCREW
24	2179243	TRIM, HANDLE
25	8281158	SCREW

7GD22DFXFW02 FREEZER LINER

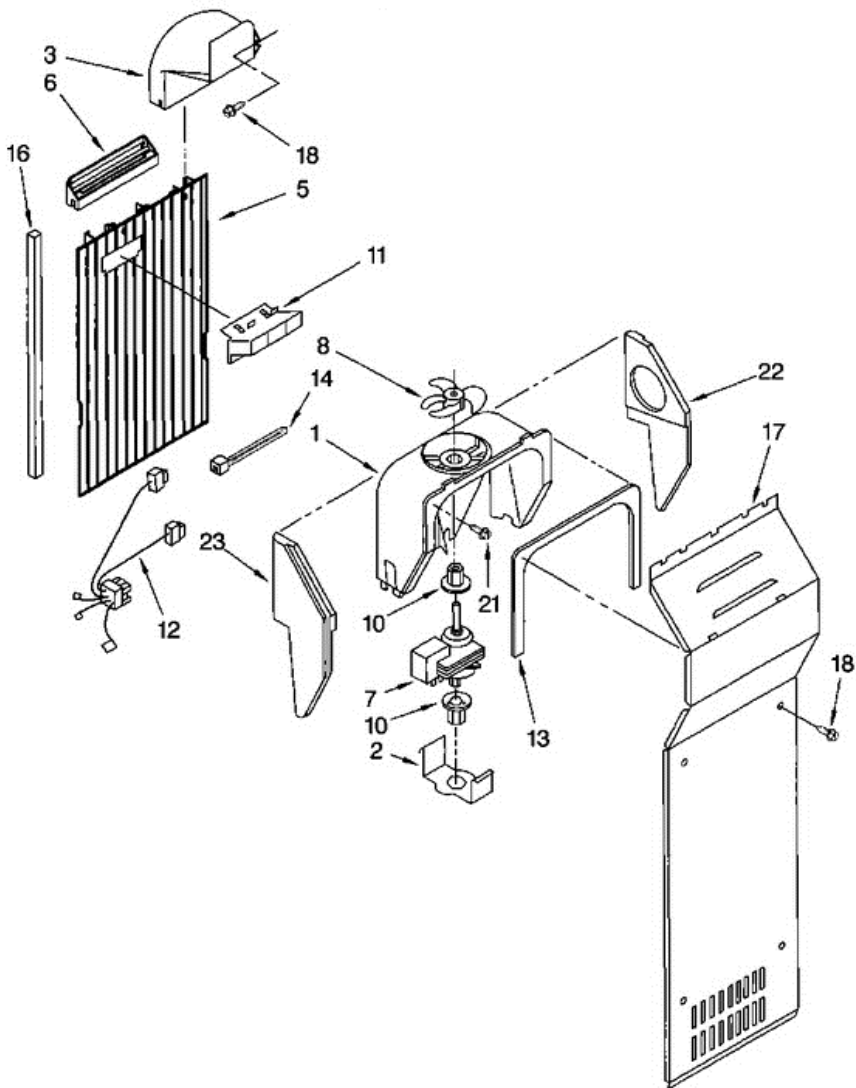




7GD22DFXFW02 FREEZER LINER

1	N/A	LINER (NOT A SERVICEABLE PART)
2	1115380	SLIDE, ICE DOOR
3	2171712	DOOR, ICE COMPARTMENT
4	3400893	SCREW
5	489478	SCREW
6	842534	CLIP, AIR DUCT (2)
7	2196206	SUPPORT, STUD (4)
8	2174249	SHELF
9	2195904	TRIM, BASKET
10	2181761	BASKET, TALL
11	2181762	BASKET, SLOPE
12	2209674	BRACKET, FILL TUBE
13	2176134	GROMMET (4)
14	2155572	COVER, WIRING
15	489355	SCREW
17	2181759	SHELF TRACK (LEFT SIDE (2))
17	2181760	SHELF TRACK (RIGHT SIDE (2))
18	486298	SCREW
19	1115373	SWITCH, ROCKER ARM
20	2196483	STUD ASSEMBLY
21	2196207	STUD, REAR
23	8281158	SCREW
24	3400893	SCREW
28	1119237	SLIDE, ICE CONTAINER (LEFT SIDE)
28	1119293	SLIDE, ICE CONTAINER (RIGHT SIDE)
29	489100	SCREW

7GD22DFXFW02 AIR FLOW

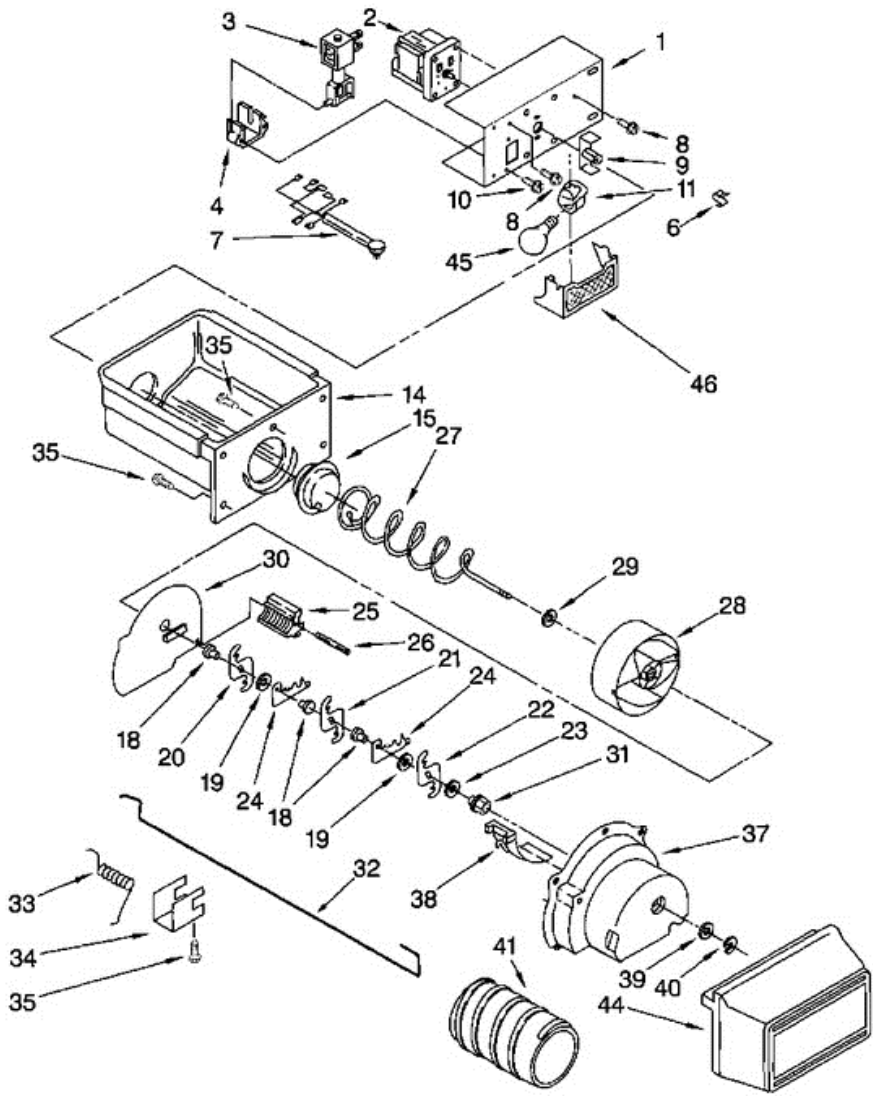




7GD22DFXFW02 AIR FLOW

1	2182119	FAN SCROLL
2	2155590	RETAINER, FAN MOTOR
3	2161231	AIR SCOOP
5	2203591	AIR DUCT FREEZER
6	2149544	DIFFUSER, AIR DUCT
7	2149299	FAN MOTOR
8	2169142	BLADE, FAN
10	2176759	GROMMET, FAN (2)
11	2182146	DUCT, ICEMAKER
12	2206504	HARNESS, FAN EVAPORATOR & HEATER, BI-METAL
13	2155788	GASKET COVER
14	2172840	WIRE TIE
16	2203875	GASKET
17	2203840	COVER, EVAPORATOR
18	489355	SCREW
21	489478	SCREW
22	2203595	SUPPORT, R.S
23	2203596	SUPPORT, L.S

**7GD22DFXFW02 MOTOR & ICE
 CONTAINER**



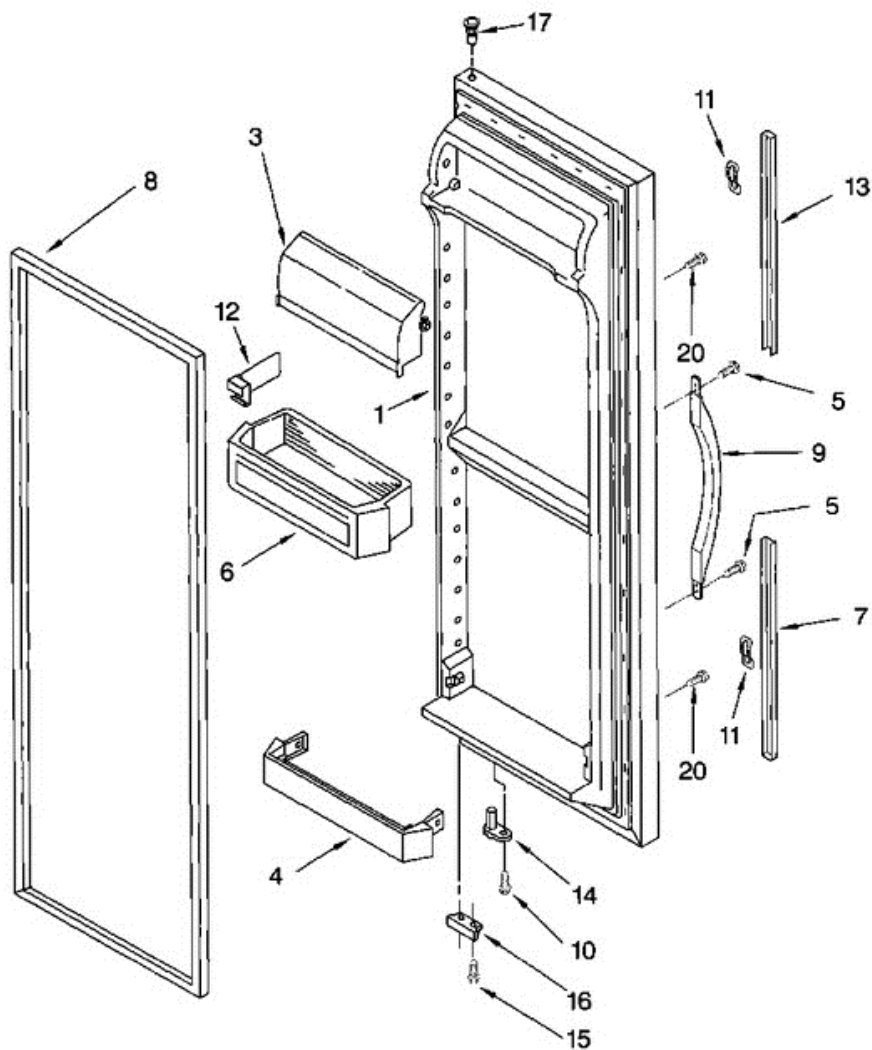


7GD22DFXFW02 MOTOR & ICE CONTAINER

1	2183728	BRACKET, MOTOR
2	2188385	MOTOR, DISPENSER
3	2152713	SOLENOID ASSEMBLY
4	2149100	GUIDE, SOLENOID
6	1115374	CLIP, WIRING
7	2206501	WIRING ASSEMBLY, ICE DISPENSER
8	489399	SCREW
9	2205716	COUPLING, MOTOR
10	489478	SCREW
11	2162085	SOCKET, LIGHT
14	2196089	ICE CONTAINER
15	983668	COUPLING, CONVEYOR
18	1119005	SPACER, STEP (3)
19	1119007	SPACER, FLAT (2)
20	1119006	BLADE, ROTARY
21	1119012	BLADE, ROTARY
22	1119013	BLADE, ROTARY
23	489235	WASHER, PLAIN
24	1119009	BLADE, FIXED (2)
25	2157405	BLOCK BLADE
26	489229	ROLL PIN
27	2181956	CONVEYOR
28	2196194	DRUM
29	3400912	WASHER
30	2171682	FLOATING BAFFLE
31	1119018	NUT, BEARING
32	2155231	CONTROL ARM
33	1119020	SPRING, RETURN
34	1119021	RETAINER CLIP, ROD
35	488886	SCREW
37	2180348	HOUSING, CRUSHER
38	1119017	DEFLECTOR, ICE
39	489234	WASHER, PLAIN

40	489236	RETAINER RING
41	2152021	SLEEVE
44	2171709	FRONT COVER, ICE CONTAINER
45	527949	LIGHT BULB
46	2171706	LIGHT LENS, DISPENSER

7GD22DFXFW02 REFRIGERATOR DOOR

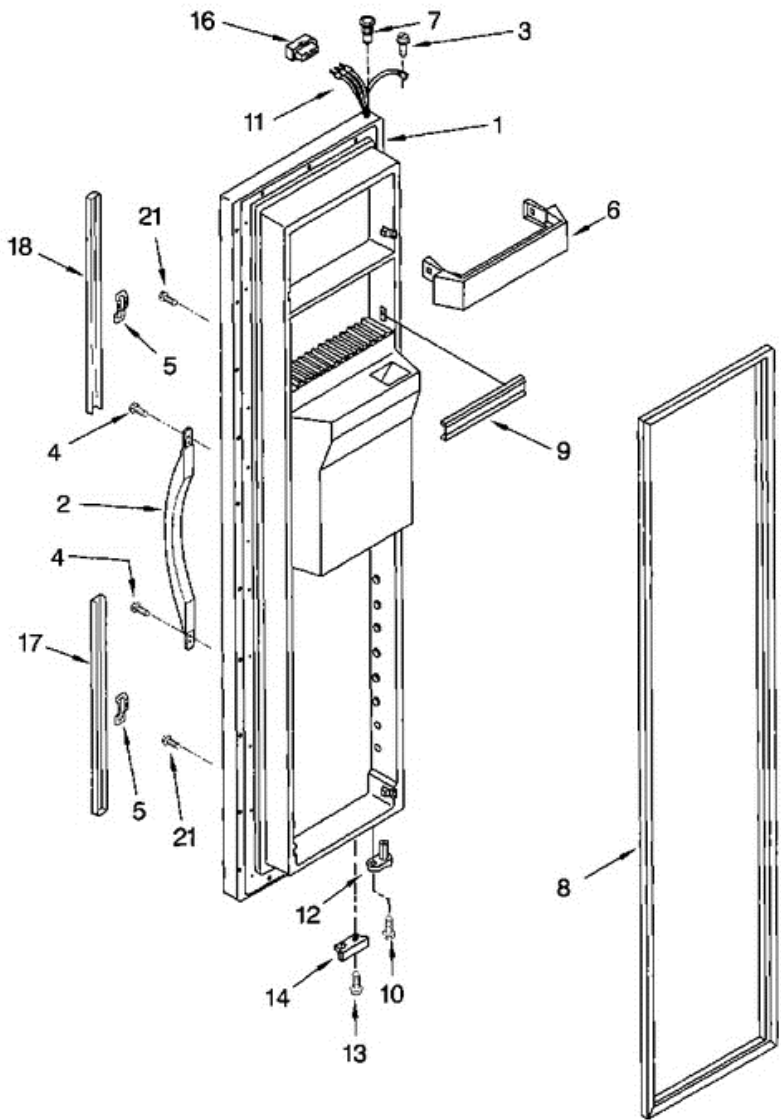




7GD22DFXFW02 REFRIGERATOR DOOR

1	2194275W	REFRIGERATOR DOOR (INCLUDES NO.8) (WHITE)
3	2177105	DOOR, COMPARTMENT
4	2156022	TRIVET, SHELF
5	489491	SCREW
6	2179607	SHELF BIN (3)
7	2194969W	EXTENSION, BOTTOM (WHITE)
8	2159073	DOOR GASKET, MAGNETIC (SERVICE) (MIST BEIGE)
9	2186649W	HANDLE, CENTER (WHITE)
10	3400012	SCREW
11	2195327	CLIP (4)
12	2195496	DIVIDER, BIN
13	2194971W	EXTENSION, TOP (WHITE)
14	2182178	DOOR CLOSER, UPPER CAM
15	489420	SCREW
16	2195950	BRACKET, DOOR STOP (CHROME)
17	2182180	THIMBLE, TOP
20	3400852	SCREW

7GD22DFXFW02 FREEZER DOOR

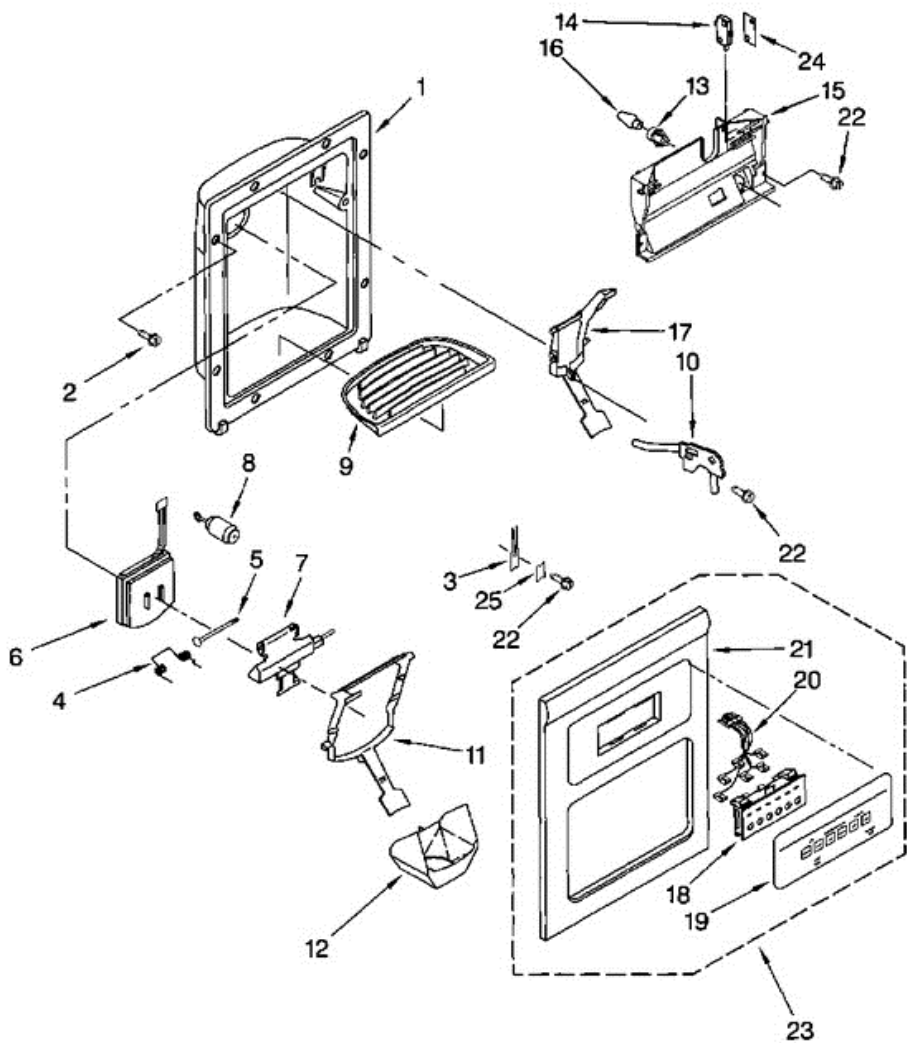




7GD22DFXFW02 FREEZER DOOR

1	2204410W	FREEZER DOOR (INCLUDES NO.8) (WHITE)
2	2186649W	HANDLE, CENTER (WHITE)
3	8281149	SCREW
4	489491	SCREW
5	2195327	CLIP (4)
6	2156021	TRIVET, SHELF (4)
7	2182181	THIMBLE-TOP
8	2159072	DOOR GASKET, MAGNETIC (SERVICE) (MIST BEIGE)
9	2209680	TRIM, DOOR SHELF
10	3400012	SCREW
11	2198271	WIRE HARNESS
12	2182179	DOOR CLOSER, UPPER CAM
13	489420	SCREW
14	2195950	BRACKET, DOOR STOP (CHROME)
16	2154473	CONNECTOR
17	2194969W	EXTENSION, BOTTOM (WHITE)
18	2194971W	EXTENSION, TOP (WHITE)
21	3400852	SCREW

7GD22DFXFW02 DISPENSER FRONT





7GD22DFXFW02 DISPENSER FRONT

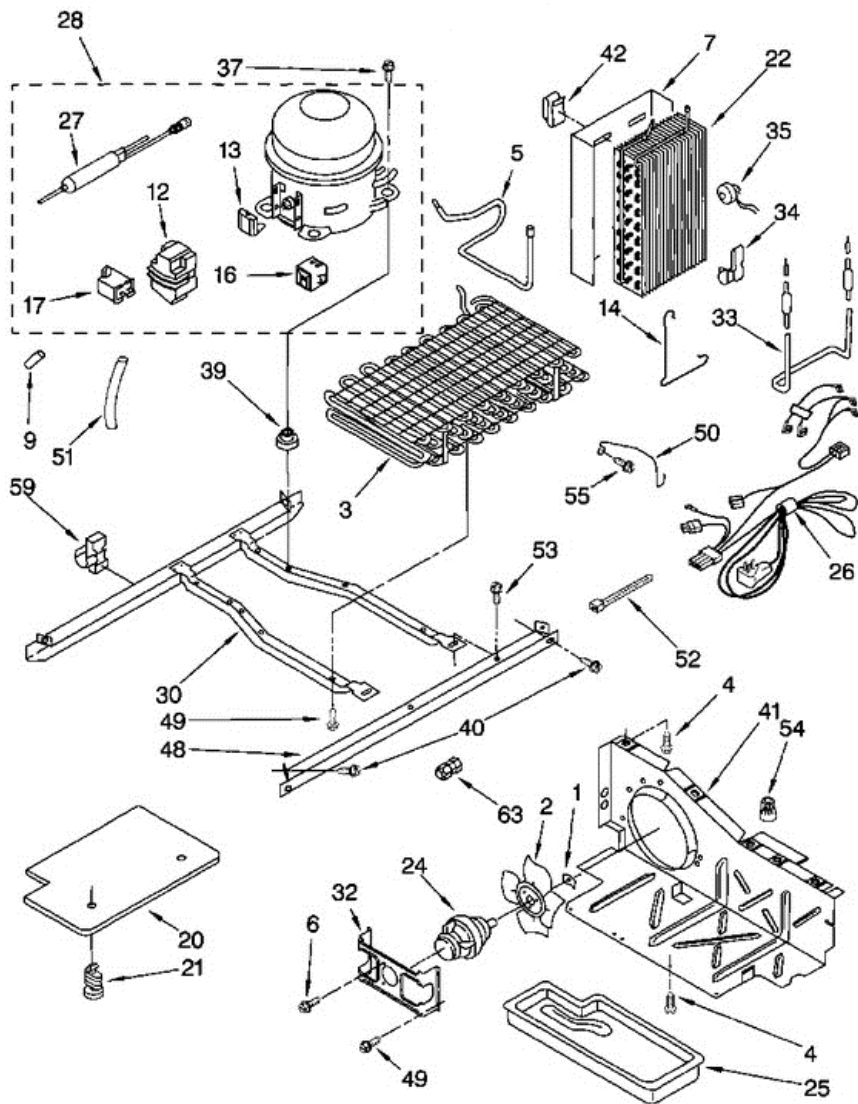
1	N/A	HOUSING, DISPENSER (NOT A SERVICEABLE PART)
2	489101	SCREW
3	2194719	RETAINER, LEVERS
4	2180209	SPRING, TORSION
5	2196195	PIN
6	2180352	DOOR, ICE
7	2206423	DOOR MECHANISM ASSEMBLY
8	2205686	DELAY MECHANISM
9	2180241	GRILLE, OVERFLOW (WHITE)
10	2209718	WATER FITTING ASSEMBLY (INCLUDES WATER TUBE)
11	2180256	LEVER, ICE DISPENSER (WHITE)
12	2180224	GUIDE, ICE
13	2180200	LAMP HOLDER
14	2162361	SWITCH (2)
15	2183771	BRACKET, CONTROL
16	3406124	LIGHT BULB
17	2180265	LEVER, WATER DISPENSER (WHITE)
18	2180236	SWITCH ASSEMBLY (ALSO ORDER NO. 19)
19	2186555W	OVERLAY, FRONT COVER (WHITE)
20	2196199	WIRE ASSEMBLY
21	N/A	FRONT COVER, HOUSING (ORDER NO.23)
22	489000	SCREW
23	2186551W	FRONT COVER ASS. (INCL. 18, 19, 20 & 21) (WHITE)
24	625834	SPACER, SWITCH (2)
25	2195051	STRAIN RELIEF

Distribuidor Autorizado

SurteRápido.com

Venta de Refacciones
Electrodomesticas

7GD22DFXFW02 UNIT



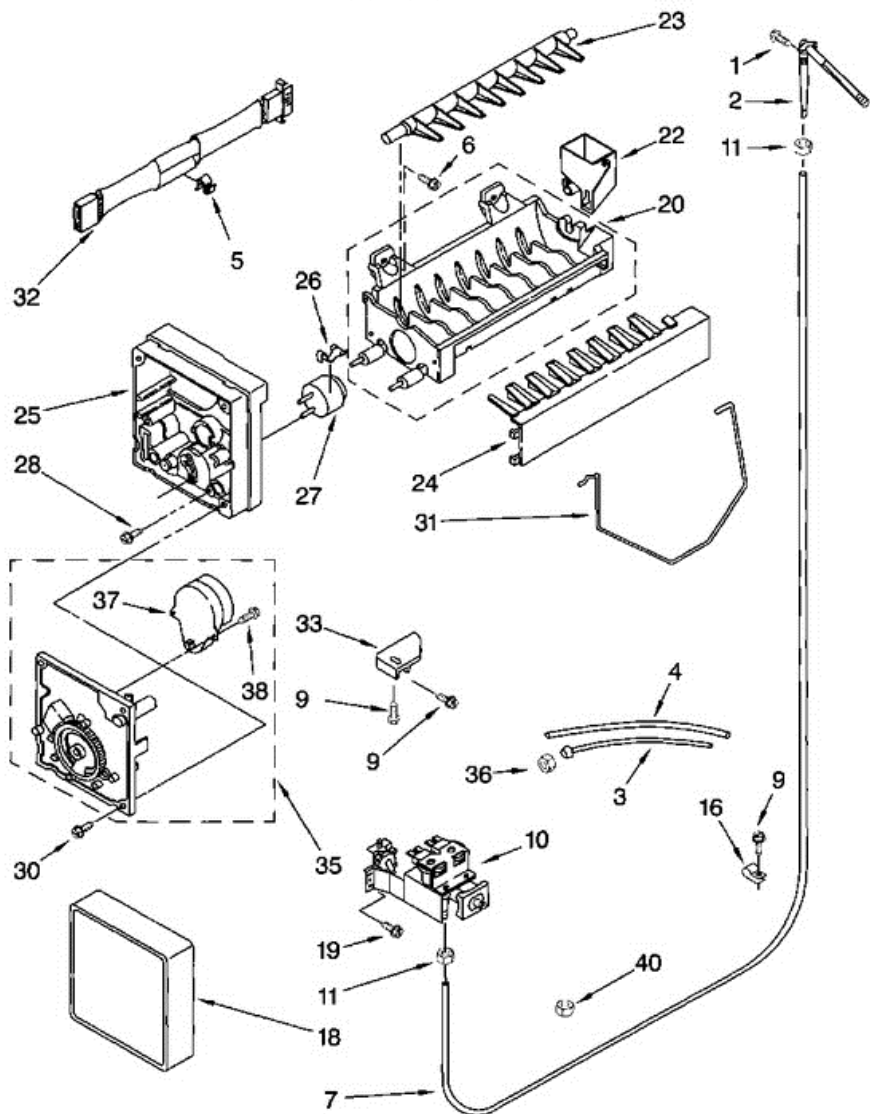


7GD22DFXFW02 UNIT

1	486692	SPEED NUT
2	2190685	BLADE, FAN
3	2204242B	CONDENSER ASSEMBLY
4	489464	SCREW
5	2204238	TUBE SUCTION
6	489099	SCREW
7	2149293	HEAT SHIELD AND DRAIN PAN
9	2158826	DAMPENER
12	4387731	COVER (SERVICE COMPRESSOR ONLY)
13	4387767	OVERLOAD
14	2161324	CLIP, DEFROST HEATER
16	2204412	START-DEVICE, COMBINATION
17	4387764	CAPACITOR (SERVICE COMPRESSOR ONLY)
20	2182057	UNIT COVER, BOTTOM
21	489396	CLIP
22	2164518	EVAPORATOR
24	2176336	MOTOR, FAN
25	1105523	TRAY, EVAPORATOR
26	2211329	HARNESS, UNIT
27	2199167	DRIER
28	2183453	COMPRESSOR (INCLUDES ITEMS 12, 13, 17, & 27
30	2160500	UNIT MOUNTING FRAME
32	2181929	BRACKET, FAN MOTOR
33	2188174	HEATER, DEFROST
34	2161330	CLIP
35	2196155	BI-METAL, DEFROST
37	489387	SCREW
39	2183042	GROMMET (4)
40	489340	SCREW
41	2196202	AIR BAFFLE
42	2155547	CLIP, HEAT
48	2149717	UNIT MOUNTING RAIL
49	488624	SCREW

50	2186496	GUARD, FAN
51	2161302	SLEEVE
52	2172840	WIRE TIE
53	489427	SCREW
54	850145	WIRE CONNECTOR
55	489478	SCREW
59	2208280	CLIP, WIRE & TUBE
63	2196152	UNION
63	876764	VALVE, ACCESS (3/16``)
63	978025	VALVE, ACCESS (1/4``)
63	978026	VALVE, ACCESS (5/16``)
63	978027	VALVE, ACCESS (3/8``)
63	978028	VALVE, ACCESS (1/2``)
63	978029	VALVE, ACCESS (5/8``)
63	978030	VALVE, ACCESS (3/4``)

7GD22DFXFW02 ICE MAKER





7GD22DFXFW02 ICE MAKER

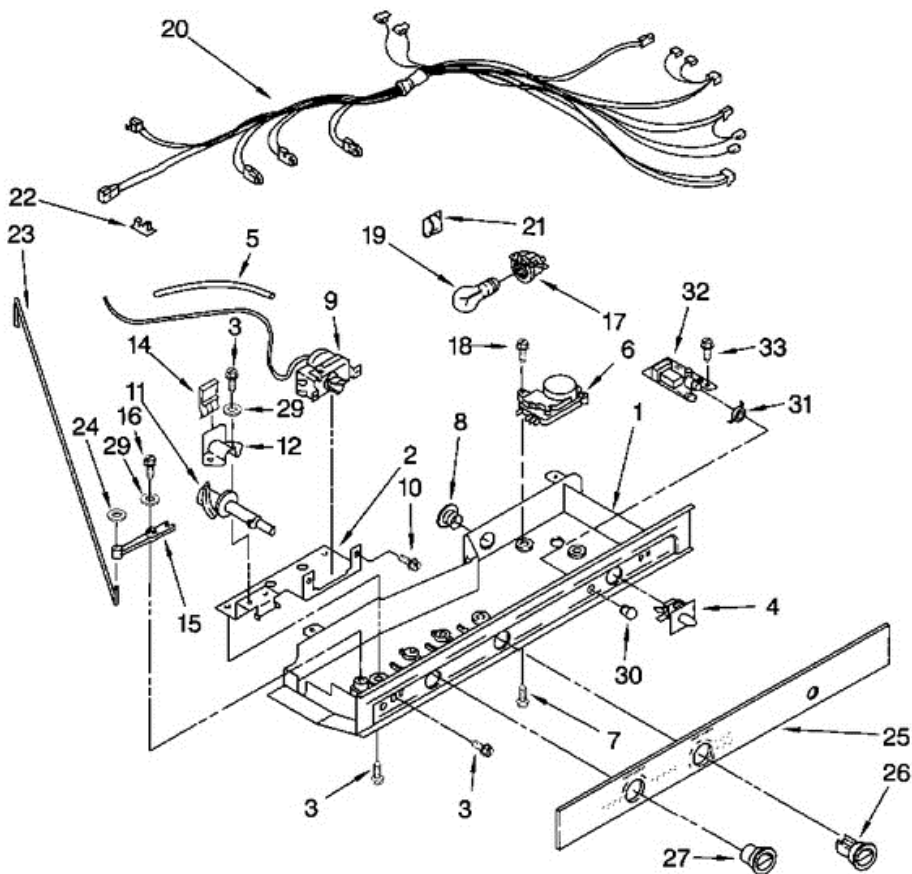
1	489084	SCREW
2	2196157	FITTING, WATER TUBE
3	2186493	TUBE, FILTER OUTLET
4	2200202	TUBE, FILTER INLET
5	628379	CLIP, FUSE
6	488208	SCREW
7	2181943	TUBE WATER
9	489478	SCREW
10	2205762	VALVE, SOLENOID
11	627018	NUT, COMPRESSION
16	489385	CLAMP, TUBE
18	2174155	COVER
19	488649	SCREW
20	542638	SILICONE GREASE
20	628228	MOLD & HEATER ASSEMBLY (ALSO ORDER
22	628356	CUP-WATER FILL
23	2194711	EJECTOR
24	2182124	ICE STRIPPER
25	2194712	SUPPORT
26	627796	RETAINER, THERMOSTAT
27	542369	CEMENT ALUMILASTIC)
27	628397	THERMOSTAT (ALSO ORDER)
28	489322	SCREW
30	489276	SCREW
31	2171593	SHUT OFF ARM
32	628256	HARNESS, WIRING
33	628320	BRACKET
35	628399	MODULE ASSEMBLY (INCLUDES ITEMS 37 & 38)
36	2200083	NUT, COMPRESSION
37	628398	MOTOR
38	489136	SCREW
40	1129179	NUT, COMPRESSION
100	4317943	COMPLETE ICEMAKER ASSEMBLY

Distribuidor Autorizado

SurteRápido.com

Venta de Refacciones
Electrodomesticas

7GD22DFXFW02 CONTROL





7GD22DFXFW02 CONTROL

1	2200137	CONTROL BOX
2	1110629	MOUNTING BRACKET
3	3196537	SCREW (4)
4	2149705	LIGHT SWITCH
5	2196001	TUBE BARRIER
6	2176648	ADAPTIVE DEFROST CONTROL
7	489398	SCREW (2)
8	940014	HOLE PLUG
9	2198202	THERMOSTAT
10	487869	SCREW
11	2182195	CAM ASSEMBLY
12	1110560	BEARING BODY
14	2196062	CLIP, DAMPER CONTROL
15	1110559	PIVOT ARM
16	627068	SCREW
17	2162085	LIGHT SOCKET
18	489398	SCREW
19	527949	LIGHT BULB
20	2206514	CONTROL BOX HARNESS
21	1115374	CLIP, WIRING
22	1115375	CLIP-WIRING
23	1123960	CONNECTING ROD
24	489285	FASTENER, PUSH-ON
25	2200100	ESCUTCHEON, CONTROL BOX
26	2182111	KNOB, THERMOSTAT
27	2197871	KNOB, AIR CONTROL
29	489203	SPRING WASHER
30	2200096	COVER, LIGHT LENS
31	2200097	RETAINER, LIGHT LENS
32	2203384	P.C. BOARD FILTER INDICATOR
33	1117510	TORX KEY
33	212643	SEALER, GUM (4 FEET)
33	2152735	ICE CRUSHER MECHANISM ASSEMBLY

33	2182097	ICE CONTAINER ASSEMBLY
33	350930	PAINT, PRESSURIZED SPRAY 12 OZ.) (WHITE)
33	350939	ENAMEL, BLACK (13 OZ. SPRAY CAN)
33	350942	PRIMER WHITE (13 OZ. SPRAY CAN)
33	350956	XENAMEL, ALMOND (13 OZ. SPRAY CAN)
33	4392899	BRUSH TOUCH-UP KIT (BISCUIT
33	4392900	PAINT, BULK (1 QT.) (BISCUIT (UNCUT))
33	4392901	PAINT, PRESSURIZED SPRAY (12 OZ.) (BISCUIT)
33	479502	TAPE, VINYL (3/4 X 108``)
33	487869	SCREW
33	503695	CORK, SEALER (1/4 POUND)
33	505587	SEALER, MASTIC (1 QT.)
33	511873	PAINT, TOUCH-UP 1/2 OZ. (WHITE PORCELAIN)
33	542638	GREASE, SILICONE (1/2 OZ.)
33	542639	CEMENT, ALUMILASTIC (1-1/4 OZ.)
33	606755	BAG, INSULATION (36-5/8`` X 46``)
33	72017	PAINT, TOUCH-UP (1/2OZ.) (WHITE)
33	72032	PAINT, TOUCH-UP (1/2OZ.) (BLACK)
33	72107	PAINT, TOUCH-UP (1/2OZ.) (ALMOND)
33	799340	ENAMEL, BLACK (1 QT. UNCUT)
33	799344	PAINT, BULK (1 QT.) (WHITE (UNCUT))
33	799833	KIT, EVAPORATOR REPAIR (ALUMINUM EPOXY)
33	833938	KIT, TERMINAL CONNECTOR
33	876029	KIT, FOAM SLAB (30`` X 32-1/2`` X 1-1/2``)
33	876305	KIT, INSULATION (14 PCS. X 3`` X 24`` X 48``)
33	876370	KIT, INSULATION (2 PCS. X 3`` X 24`` X 48``)
33	978883	ENAMEL, ALMOND (1 QT. UNCUT)
33	978941	INSULATION, FIBERGLASS (63-1/2`` X 35-1/2`` X 2-5/8``)