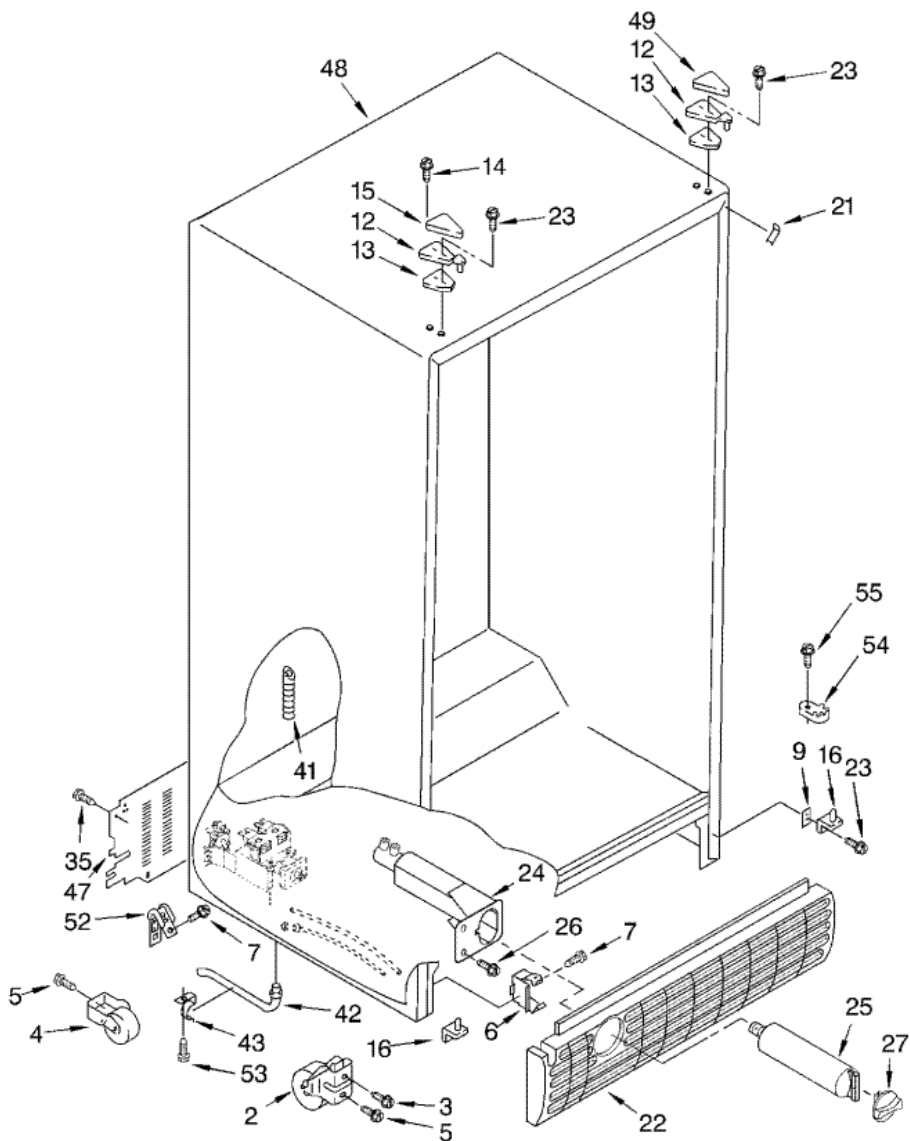


Distribuidor Autorizado

SurteRápido.com

Venta de Refacciones
Electrodomesticas

7GD25SFXHS01 GABINET

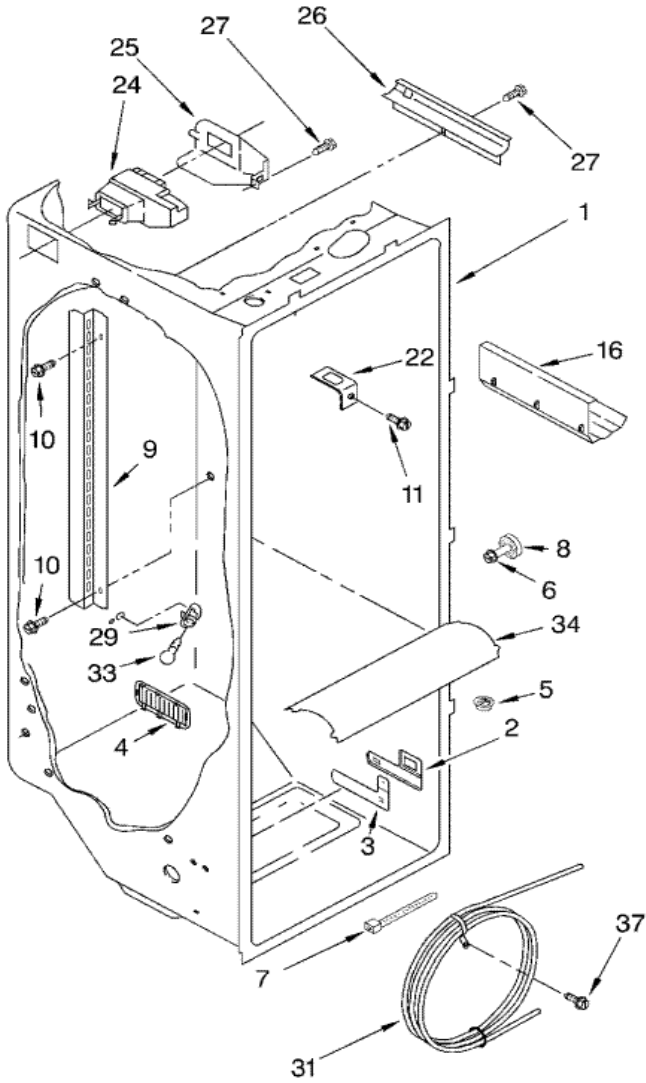




7GD25SFXHS01 GABINET

2	2174748	FRONT ROLLER (2) (S/P)
3	3400517	SCREW (S/P)
4	2196236	ROLLER (REAR) (2) (S/P)
5	489427	SCREW (S/P)
6	2155013	CLIP, GRILLE (S/P)
7	489478	SCREW (S/P)
9	2181911	SHIM (S/P)
12	2196046	HINGE TOP (2) (S/P)
13	2196049	SHIM, HINGE TOP (S/P)
14	489284	SCREW (S/P)
15	2171947	HINGE COVER (S/P)
16	8201707	HINGE BOTTOM (2) (S/P)
21	2196097	FILLER, WRAPPER (S/P)
22	2198468B	GRILLE (S/P)
23	489497	SCREW (S/P)
24	2186443	HOUSING, WATER FILTER (S/P)
25	4392857	FILTER, WATER
26	489500	SCREW (S/P)
27	2186494B	CAP, WATER (FILTER) (S/P)
35	489464	SCREW (S/P)
41	2304888	FITTING, DRAIN (S/P)
42	1108438	EXTENSION TUBE (S/P)
43	1108439	CLIP, DRAIN TUBE (S/P)
47	2188755	COVER, UNIT (S/P)
48	****	DESCONTINUADO
49	2155938	HINGE COVER (S/P)
52	3196256	CLAMP, SERVICE CORD (S/P)
53	489084	SCREW (S/P)
54	2155311	DOOR CLOSER, LOWER CAM (2)
55	489483	SCREW (S/P)

**7GD25SFXHS01 REFRIGERATOR
 LINNER**





**7GD25SFXHS01 REFRIGERATOR
LINNER**

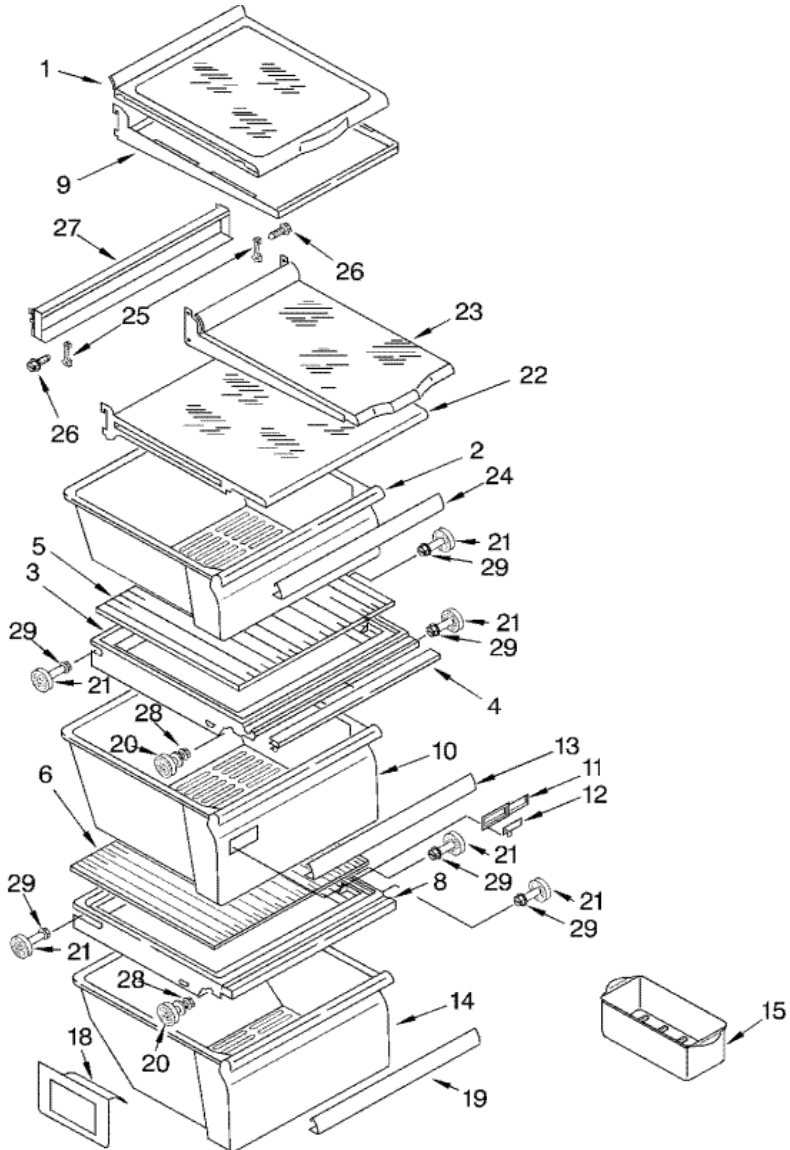
1	****	DESCONTINUADO
2	2194744	ESCUTCHEON, MEAT PAN CONTROL (S/P)
3	2182757	SLIDE, MEAT PAN CONTROL (S/P)
4	8201651	LOUVER (S/P)
5	2171846	RELEASE VALVE (S/P)
6	8281158	SCREW (S/P)
7	2205813	STRAP (S/P)
8	2196483	STUD ASSEMBLY (S/P)
9	2181796	LADDER, SHELF (S/P)
10	487539	SCREW (S/P)
11	489290	SCREW (2) (S/P)
16	2179404	RACK, WINE & EGG (S/P)
22	2256085	BRACKET, RETAINER (S/P)
24	2209753	AIR DIFFUSER ASSEMBLY
25	2152019	COVER, AIR DIFFUSER (S/P)
26	2150331	COVER, CONDUIT (S/P)
27	486298	SCREW (S/P)
29	4387478	SOCKET
31	2209687	RESERVOIR (S/P)
33	527949	LIGHT BULB (S/P)
34	2203266	LIGHT LENS (S/P)
37	488280	SCREW (2) (S/P)

Distribuidor Autorizado

SurteRápido.com

Venta de Refacciones
Electrodomesticas

7GD25SFXHS01 REFRIGERATOR SHELF





7GD25SFXHS01 REFRIGERATOR SHELF

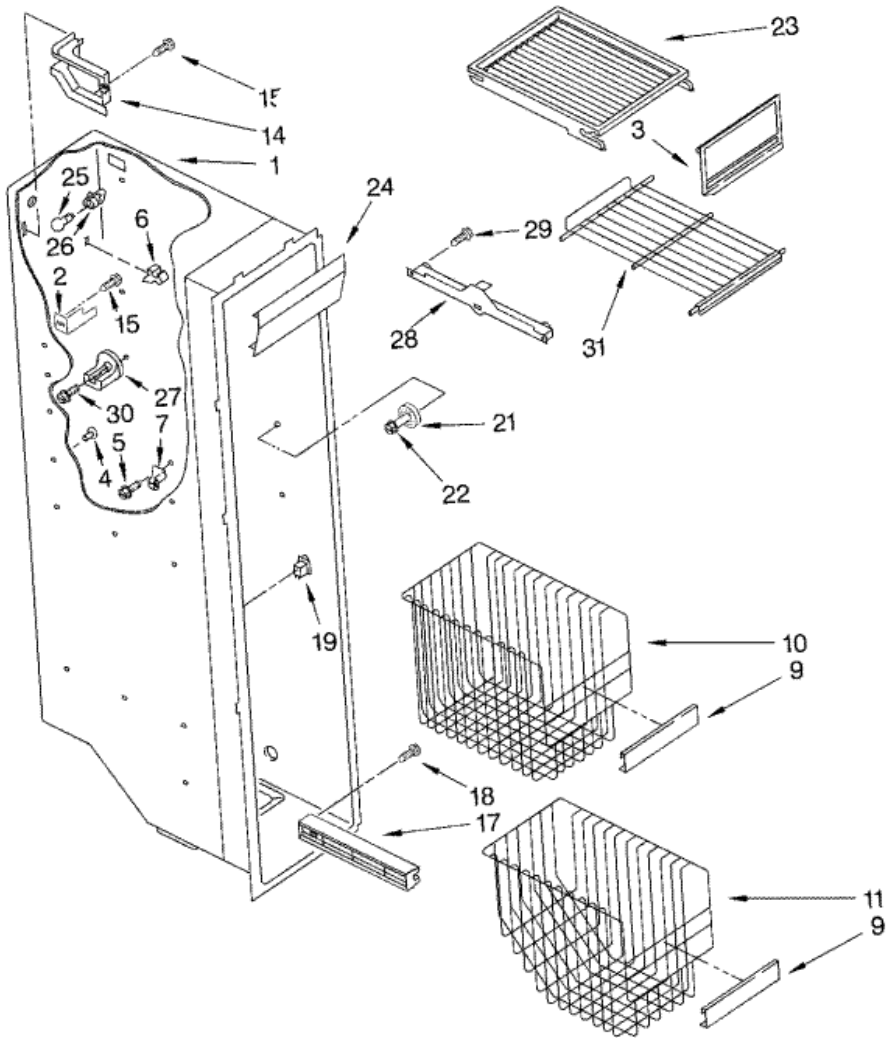
1	2194736	SHELF ASSEMBLY, GLASS SLIDING (2) (S/P)
2	2188655	SNACK BIN (S/P)
3	2217040	COVER, CRISPER (S/P)
4	2174442	GASKET, COVER (FRONT) (S/P)
5	2174150	GLASS, COVER (S/P)
6	2179259	GLASS, COVER (S/P)
8	2217040	COVER, MEAT PAN (S/P)
9	2195975	FRAME, SHELF (2) (S/P)
10	2188656	PAN, CRISPER (S/P)
11	2179343	FRONT, CRISPER PAN (S/P)
12	2179342	SLIDE, HUMIDITY CONTROL (S/P)
13	2179234	TRIM, HANDLE (S/P)
14	2188664	MEAT PAN (S/P)
15	2216624K	EGG BIN (S/P)
18	2179350	DEFLECTOR (S/P)
19	2194906	TRIM, HANDLE (S/P)
20	2196485	STUD ASSEMBLY (S/P)
21	2196483	STUD ASSEMBLY (S/P)
22	2211581	SHELF, SNACK BIN (S/P)
23	2194741	DESCONTINUADO
24	2179243	TRIM, HANDLE (S/P)
25	2169608	HOOK, SHELF (S/P)
26	489419	DESCONTINUADO
27	2174422	DESCONTINUADO
28	3400894	SCREW (S/P)
29	8281158	SCREW (S/P)

Distribuidor Autorizado

SurteRápido.com

Venta de Refacciones
Electrodomesticas

7GD25SFXHS01 FREEZER LINER





7GD25SFXHS01 FREEZER LINER

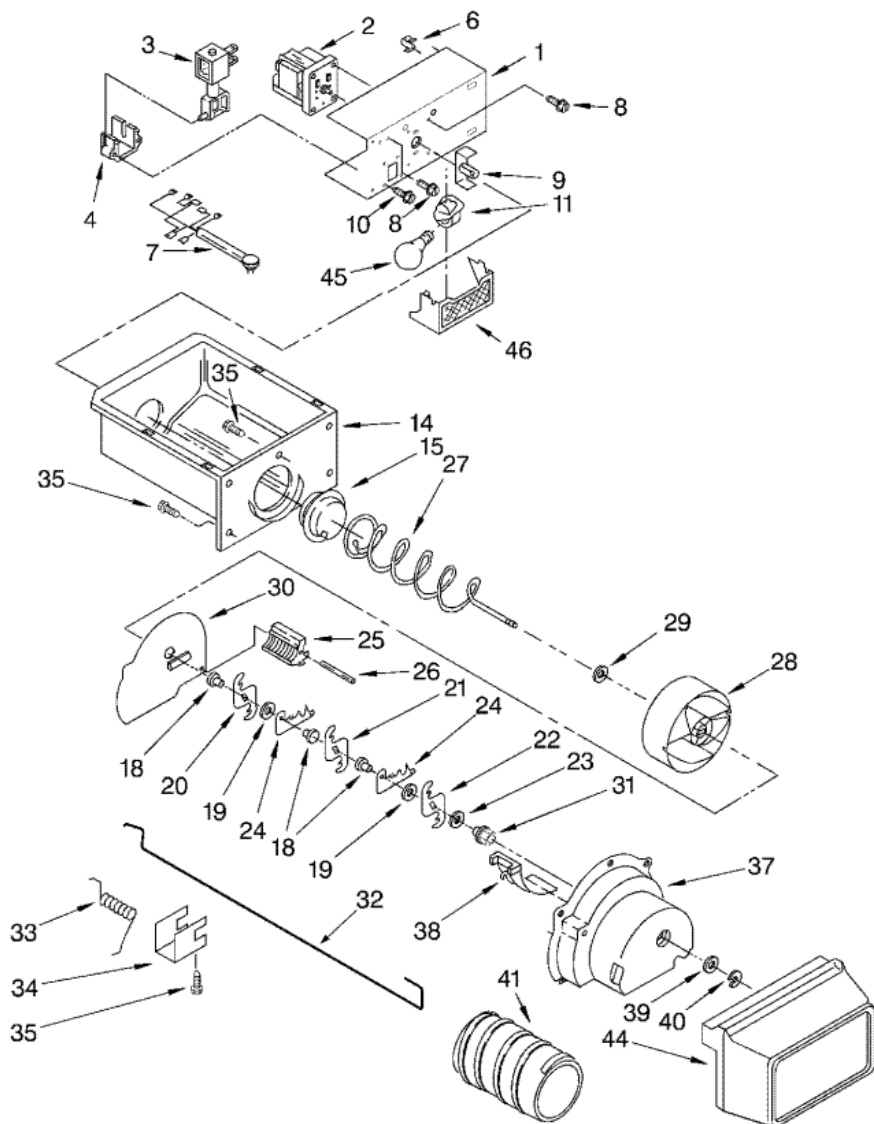
1	****	DESCONTINUADO
2	2209674	BRACKET, FILL TUBE (S/P)
3	2171713	DOOR, ICE COMPARTMENT (S/P)
4	2176134	GROMMET (S/P)
5	3400893	SCREW (S/P)
6	842534	CLIP, AIR DUCT (2) (S/P)
7	939203	SUPPORT, STUD
9	2195905	TRIM, BASKET (S/P)
10	2301190	BASKET, TALL (S/P)
11	2301190	BASKET, SLOPE (S/P)
14	2155572	COVER, WIRING (S/P)
15	489355	SCREW (S/P)
17	8201602	SLIDE, BASKET (LEFT SIDE (2)) (S/P)
18	486298	SCREW (S/P)
19	4387911	SWITCH, ROCKER ARM (S/P)
21	2196483	STUD, SHELF (4) (S/P)
22	8281158	SCREW (S/P)
23	2194297	SHELF, TOP COMPARTMENT (S/P)
24	2171705	LENS, LIGHT (S/P)
25	527949	LIGHT BULB (S/P)
26	4387478	LIGHT SOCKET
27	2196207	STUD, REAR (S/P)
28	1119237	SLIDE, CONTAINER (LEFT SIDE) (S/P)
28	1119293	SLIDE, CONTAINER (RIGHT SIDE)
29	489100	SCREW (S/P)
30	3400893	SCREW (S/P)
31	2174267	SHELF (S/P)

Distribuidor Autorizado

SurteRápido.com

Venta de Refacciones
Electrodomesticas

7GD25SFXHS01 MOTOR AND ICE CONTAINER



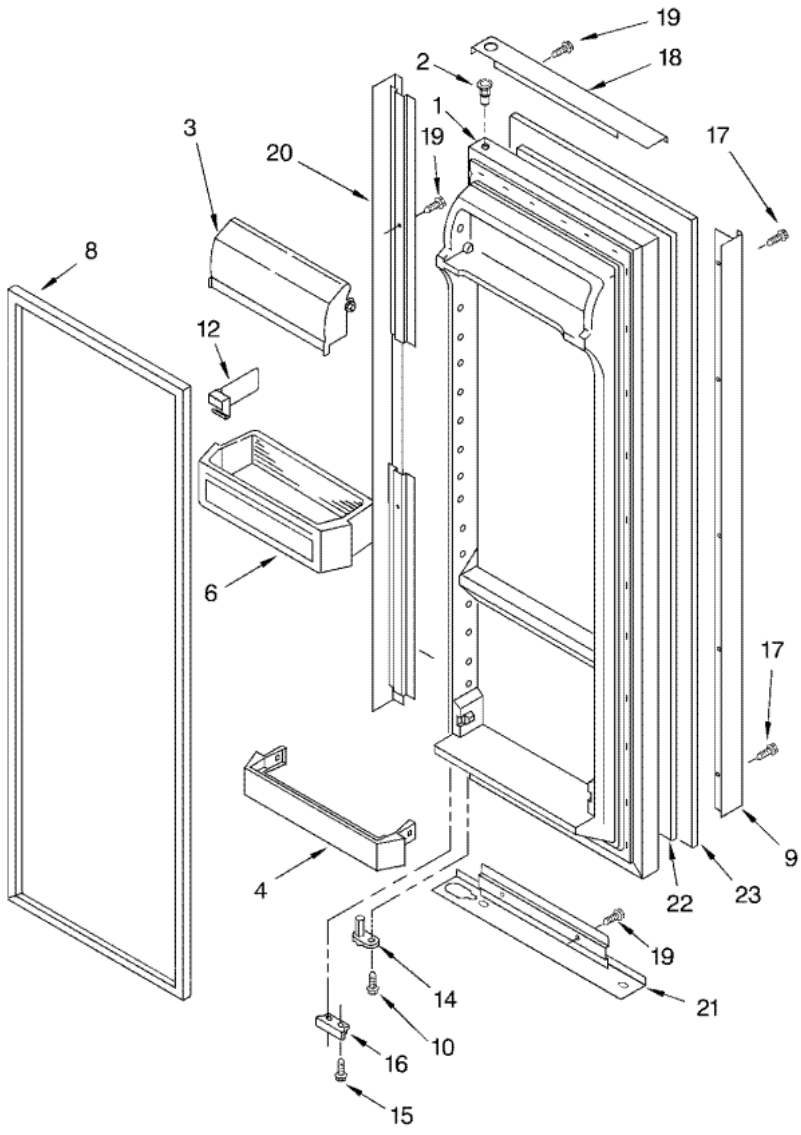


7GD25SFXHS01 MOTOR AND ICE CONTAINER

1	2254587	BRACKET, MOTOR (S/P)
2	2188242	MOTOR, DISPENSER (S/P)
3	2152713	SOLENOID ASSEMBLY
4	2149100	GUIDE, SOLENOID (S/P)
6	1115374	CLIP, WIRING (S/P)
7	2186815	WIRING ASSEMBLY, ICE DISPENSER (S/P)
8	489399	SCREW (S/P)
9	2205716	COUPLING, MOTOR (S/P)
10	489478	SCREW (S/P)
11	4387478	SOCKET, LIGHT
14	2196091	ICE CONTAINER
15	983668	COUPLING, CONVEYOR
18	1119005	SPACER, STEP (3)
19	1119007	SPACER, FLAT (2)
20	2257022	BLADE, ROTARY
21	2257023	BLADE, ROTARY
22	2257024	BLADE, ROTARY
23	489235	WASHER, PLAIN
24	1119009	BLADE, FIXED (2) (S/P)
25	2157405	BLOCK, BLADE (S/P)
26	489229	ROLL PIN
27	2196295	CONVEYOR (S/P)
28	4388496	DRUM
29	3400912	WASHER (S/P)
30	2171682	FLOATING BAFFLE (S/P)
31	1119018	NUT, BEARING (S/P)
32	2155231	CONTROL ARM (S/P)
33	1119020	SPRING, RETURN (S/P)
34	1119021	RETAINER CLIP, ROD (S/P)
35	488886	SCREW (S/P)
37	2180348	HOUSING, CRUSHER (S/P)
38	1119017	DEFLECTOR, ICE (S/P)
39	489234	WASHER, PLAIN (S/P)

40	489236	RETAINER RING (S/P)
41	4317870	SLEEVE, AUGER (S/P)
44	2204321	FRONT COVER, ICE CONTAINER (S/P)
45	311255	LIGHT BULB (S/P)
46	2171706	LIGHT LENS, DISPENSER (S/P)

7GD25SFXHS01 REFRIGERATOR DOOR

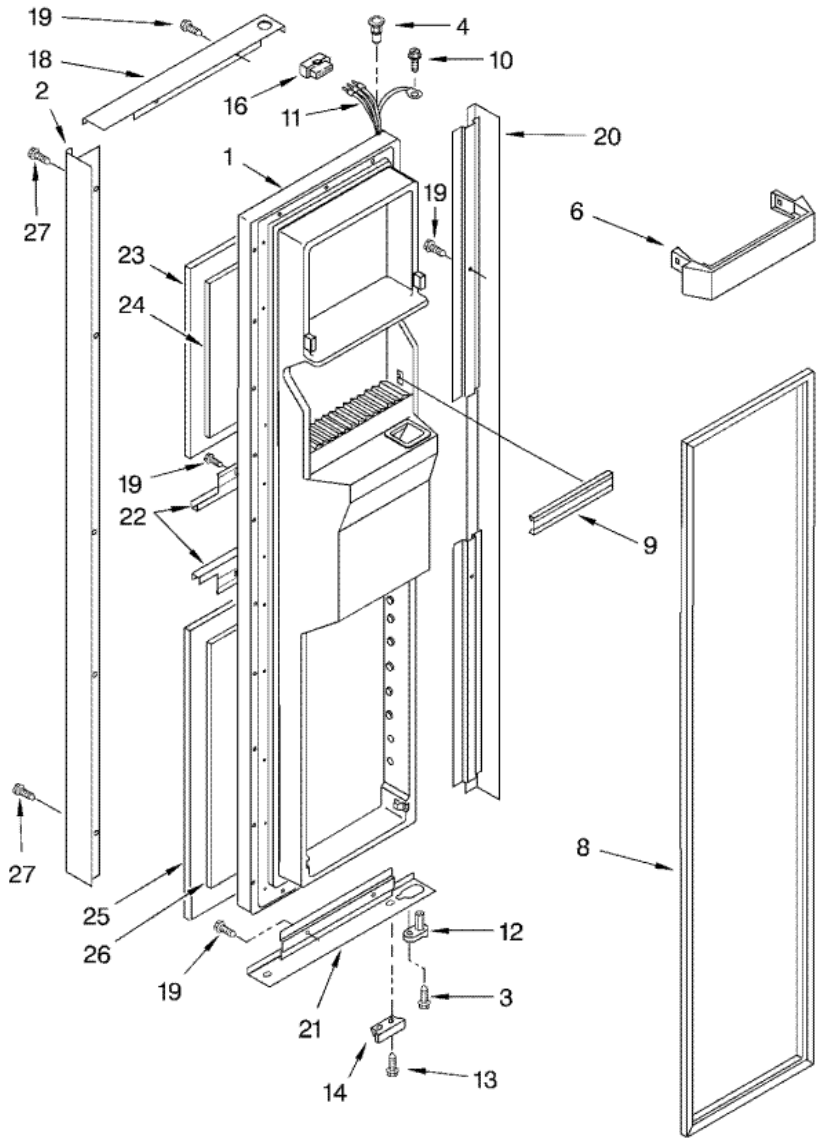




7GD25SFXHS01 REFRIGERATOR DOOR

1	4388252	REFRIGERATOR DOOR (INCLUDES ITEM NO.8) (S/P)
2	2182181	THIMBLE, TOP (S/P)
3	2256101	DOOR, COMPARTMENT (S/P)
4	2156022	TRIVET, SHELF (S/P)
6	2304235	SHELF BIN (3) (S/P)
8	2159083	DOOR GASKET, MAGNETIC (SERVICE) (S/P)
9	2203816S	DESCONTINUADO
10	3400012	SCREW (S/P)
12	2195496	DIVIDER, BIN (S/P)
14	2182179	DOOR CLOSER, UPPER CAM (S/P)
15	489420	SCREW (S/P)
16	2195950	BRACKET, DOOR STOP (CHROME) (S/P)
16	2195952	BRACKET, DOOR STOP (BLACK) (S/P)
17	3400897	SCREW (S/P)
18	2203381S	TRIM, DOOR (TOP) (S/P)
19	3196537	SCREW (S/P)
20	2186765S	DESCONTINUADO
21	2203377S	TRIM, DOOR (BOTTOM) (S/P)
22	2208279	FILLER, PANEL (S/P)
23	2203294S	DESCONTINUADO

7GD25SFXHS01 FREEZER DOOR





7GD25SFXHS01 FREEZER DOOR

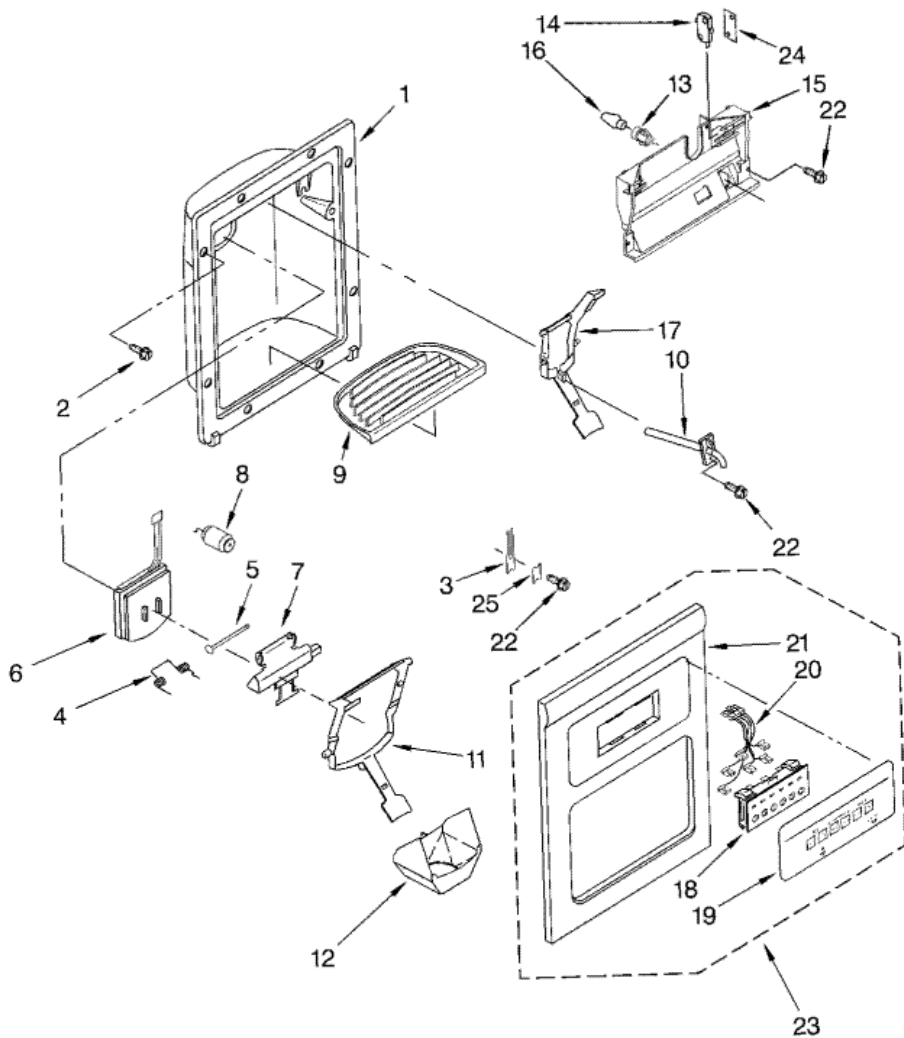
1	4388444	FREEZER DOOR (S/P)
2	2203819S	HANDLE, CENTER (S/P)
3	3400012	SCREW (S/P)
4	2182181	THIMBLE, TOP (S/P)
6	2171157	TRIVET, SHELF (4) (S/P)
8	2159082	DOOR GASKET, MAGNETIC (SERVICE) (S/P)
9	2209681	TRIM, DOOR SHELF (S/P)
10	8281149	SCREW (S/P)
11	2180229	WIRING HARNESS (S/P)
12	2182179	DOOR CLOSER, UPPER CAM (S/P)
13	489420	SCREW (S/P)
14	2195950	BRACKET, DOOR STOP (CHROME) (S/P)
14	2195952	BRACKET, DOOR STOP (BLACK) (S/P)
16	2154473	CONNECTOR (S/P)
18	2203373S	TRIM, DOOR (TOP) (S/P)
19	3196537	SCREW (S/P)
20	2186765S	DESCONTINUADO
21	2203367S	TRIM, DOOR (BOTTOM) (S/P)
22	2186778S	TRIM, DOOR (DISPENSER, TOP & BOTTOM) (S/P)
23	2203290S	DESCONTINUADO
24	2208277	DESCONTINUADO
25	2203292S	DESCONTINUADO
26	2208278	FILLER, PANEL (LOWER) (S/P)
27	3400897	SCREW (S/P)

Distribuidor Autorizado

SurteRápido.com

Venta de Refacciones
Electrodomesticas

7GD25SFXHS01 DISPENSER FRONT





7GD25SFXHS01 DISPENSER FRONT

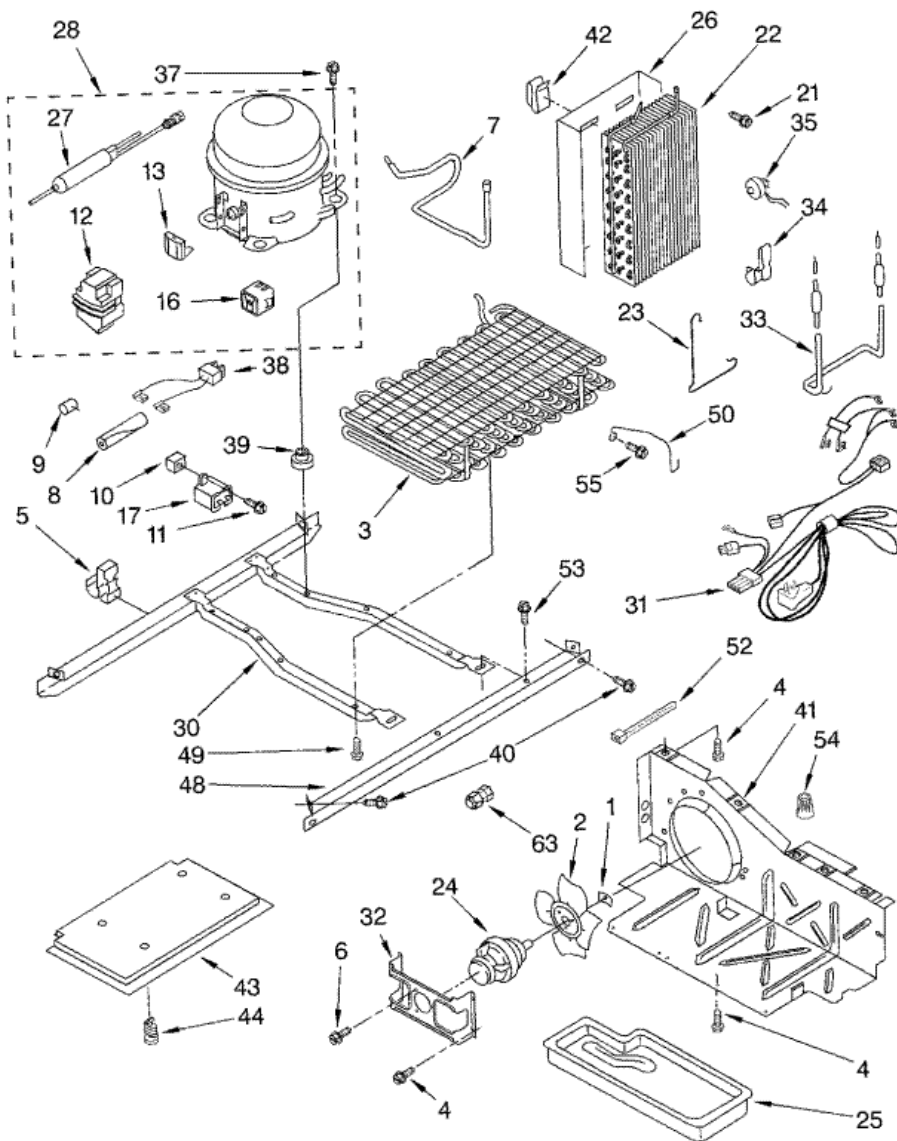
1	****	DESCONTINUADO
2	489101	SCREW (S/P)
3	2194719	RETAINER, LEVERS
4	2304772	SPRING, TORSION (S/P)
5	2196195	PIN (S/P)
6	2180353	DOOR, ICE
7	8201649	DOOR MECHANISM ASSEMBLY
8	8201649	DELAY MECHANISM
9	2180243	GRILLE, OVERFLOW (S/P)
10	4388152	WATER FITTING ASSEMBLY
11	2180258	LEVER, ICE DISPENSER (BLACK) (S/P)
12	2180224	GUIDE, ICE
13	2180200	LAMP HOLDER (S/P)
14	2162361	SWITCH (4) (S/P)
15	2180226	BRACKET, CONTROL
16	17512	BULB, LIGHT (S/P)
17	2180267	LEVER, WATER DISPENSER (BLACK) (S/P)
18	2180236	SWITCH ASSEMBLY (ALSO ORDER NO.19) (S/P)
19	2186555B	DESCONTINUADO
20	2187409	WIRE ASSEMBLY (S/P)
21	****	DESCONTINUADO
22	489000	SCREW (S/P)
23	2186552B	FRONT COVER ASSEMBLY (S/P)
24	625834	SPACER, SWITCH (2) (S/P)
25	2195051	STRAIN RELIEF (S/P)

Distribuidor Autorizado

SurteRápido.com

Venta de Refacciones
Electrodomesticas

7GD25SFXHS01 UNIT



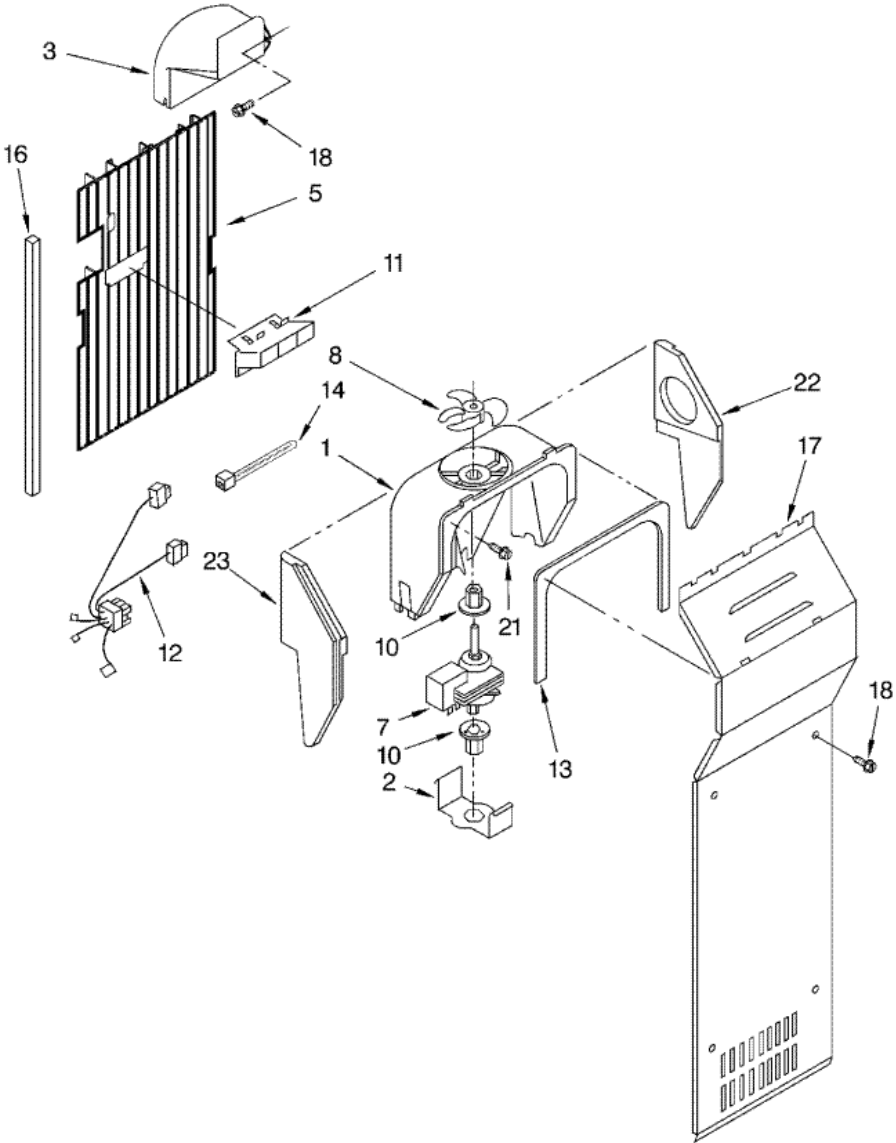


7GD25SFXHS01 UNIT

1	486692	SPEED NUT (S/P)
2	2190685	BLADE, FAN (S/P)
3	2204242B	CONDENSER ASSEMBLY (S/P)
4	489464	SCREW (S/P)
5	2208280	CLIP, WIRE (S/P)
6	489099	SCREW (S/P)
7	2205765	TUBE, SUCTION (S/P)
8	2162499	SLEEVE (S/P)
9	2158826	DAMPENER (S/P)
10	937252	SCREW GROMMET (S/P)
11	488687	SCREW (S/P)
12	2162358	COVER (SERVICE COMPRESSOR ONLY) (S/P)
13	4387835	OVERLOAD (S/P)
16	8201799	START-DEVICE, COMBINATION
17	2169137	CAPACITOR ((PRODUCTION))
17	4387764	CAPACITOR ((SERVICE COMPRESSOR ONLY)) (S/P)
21	489478	SCREW (S/P)
22	2188823	EVAPORATOR (S/P)
23	2161324	CLAMP (S/P)
24	4387244	FAN, MOTOR (S/P)
25	1110674	TRAY, EVAPORATOR (S/P)
26	2256150	HEAT SHIELD (S/P)
27	4387019	DRIER (S/P)
28	8201558	COMPRESSOR (S/P)
30	2304904	UNIT MOUNTING FRAME (S/P)
31	2188346	HARNESS, UNIT (S/P)
32	2181929	FAN, MOTOR BRACKET (S/P)
33	2188175	HEATER, DEFROST
34	2161330	DESCONTINUADO
35	2319914	BI-METAL, DEFROST
37	489387	SCREW (S/P)
38	2172890	WIRE ASSEMBLY (S/P)
39	4388295	GROMMET (4) (S/P)

40	489340	SCREW (S/P)
41	2196202	AIR BAFFLE (S/P)
42	2155547	CLIP, HEAT SHIELD (S/P)
43	2304899	COVER, UNIT BOTTOM (S/P)
44	489396	CLIP (S/P)
48	2305374	UNIT MOUNTING RAIL (S/P)
49	488624	SCREW (S/P)
50	2186495	GUARD, FAN (S/P)
52	3347868	STRAP (S/P)
53	489427	SCREW (S/P)
54	227991	WIRE CONNECTOR (S/P)
55	488649	SCREW (S/P)
63	978025	VALVE, ACCESS (1/4``) (S/P)
63	978027	VALVE, ACCESS (3/8``) (S/P)
63	978028	VALVE, ACCESS (1/2``) (S/P)
63	876764	VALVE, ACCESS (3/16``) (S/P)
63	978026	VALVE, ACCESS (5/16``) (S/P)
63	978029	VALVE, ACCESS (5/8``) (S/P)
63	978030	VALVE, ACCESS (3/4``) (S/P)
63	4318044	UNION (S/P)

7GD25SFXHS01 AIR FLOW





7GD25SFXHS01 AIR FLOW

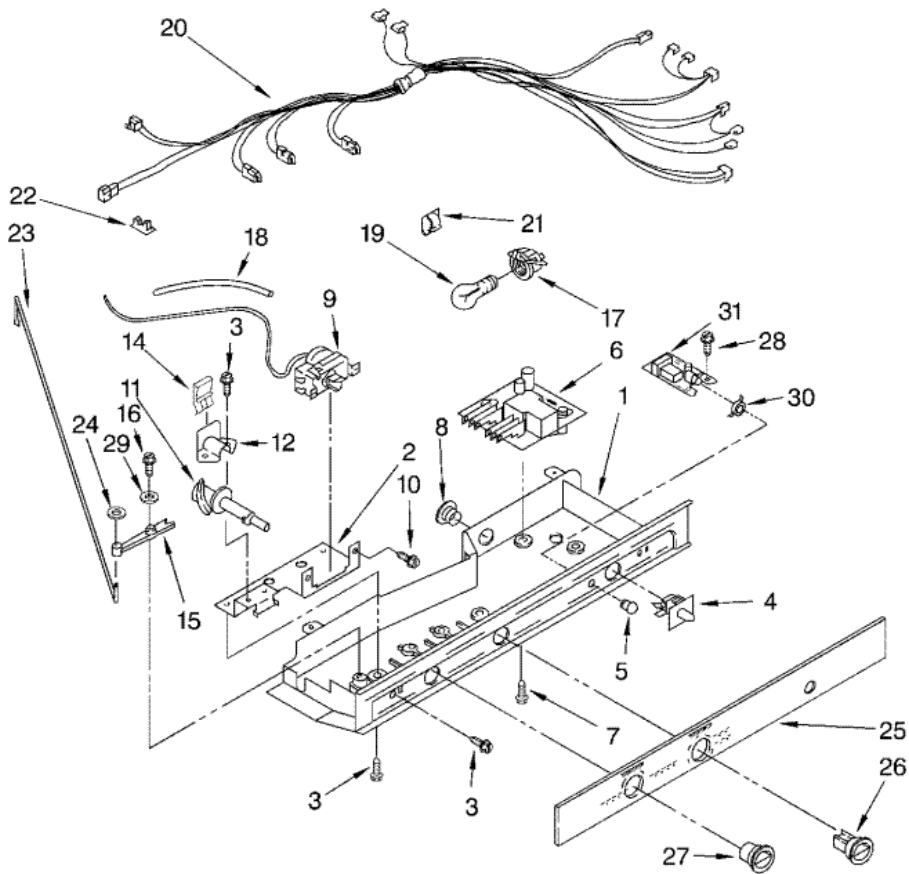
1	2182120	SCROLL, FAN (S/P)
2	2155590	RETAINER, FAN MOTOR (S/P)
3	2161231	AIR SCOOP (S/P)
5	4388356	AIR DUCT FREEZER (S/P)
7	4389144	FAN MOTOR
8	2169142	BLADE, FAN (S/P)
10	2176759	GROMMET, FAN (2) (S/P)
11	2182146	DUCT, ICEMAKER (S/P)
12	2186800	HARNESS, FAN EVAPORATOR (S/P)
13	2155789	GASKET COVER (S/P)
14	3347868	WIRE TIE (S/P)
16	4388500	GASKET (S/P)
17	4388356	COVER, EVAPORATOR (S/P)
18	489355	SCREW (S/P)
21	489478	SCREW (S/P)
22	4388358	SUPPORT, R.S (S/P)
23	4388358	SUPPORT, L.S (S/P)

Distribuidor Autorizado

SurteRápido.com

Venta de Refacciones
Electrodomesticas

7GD25SFXHS01 CONTROL





7GD25SFXHS01 CONTROL

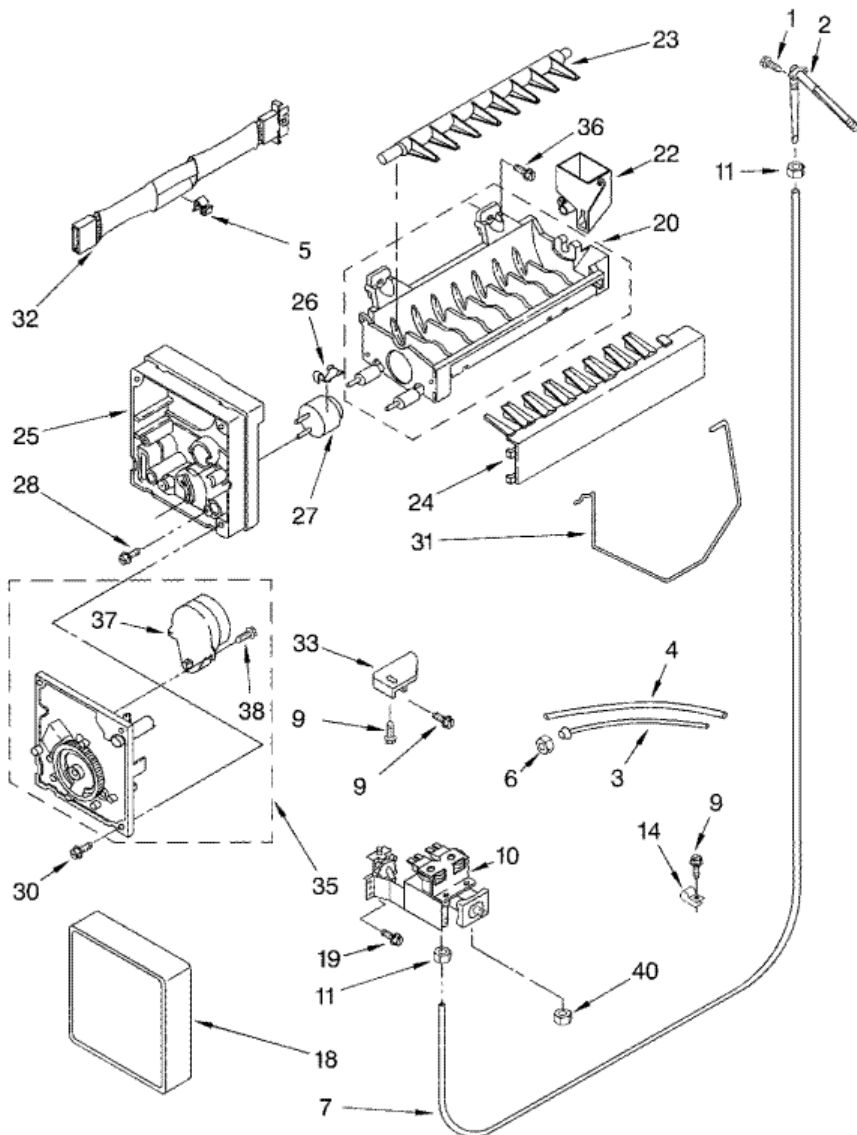
1	2200137	CONTROL BOX (S/P)
2	1110629	MOUNTING BRACKET (S/P)
3	3196537	SCREW (4) (S/P)
4	1116849	LIGHT SWITCH
5	2200096	COVER, LIGHT LENS (S/P)
6	4388932	ADAPTIVE DEFROST CONTROL
7	489398	SCREW (2) (S/P)
8	940014	HOLE PLUG (S/P)
9	2198202	THERMOSTAT ASSEMBLY
10	487869	SCREW (S/P)
11	2182195	CAM ASSEMBLY (S/P)
12	1110560	BEARING BODY (S/P)
14	2196062	CLIP, DAMPER CONTROL (S/P)
15	1110559	PIVOT ARM (S/P)
16	627068	SCREW (S/P)
17	4387478	LIGHT SOCKET
18	2196003	THERMOSTAT, BARRIER (S/P)
19	311255	LIGHT BULB (S/P)
20	2200440	CONTROL BOX HARNESS (S/P)
21	1115374	CLIP, WIRING (S/P)
22	1115375	CLIP, WIRING (S/P)
23	1123960	CONNECTING ROD (S/P)
24	489285	FASTENER, PUSH-ON (S/P)
25	2200100	ESCUTCHEON, CONTROL BOX (S/P)
26	2182111	KNOB, THERMOSTAT (S/P)
27	2197871	KNOB, AIR CONTROL (S/P)
28	489214	SCREW (S/P)
29	489203	SPRING WASHER (S/P)
30	2200097	RETAINER, LIGHT LENS (S/P)
31	2203384	P.C. BOARD FILTER INDICATOR (S/P)

Distribuidor Autorizado

SurteRápido.com

Venta de Refacciones
Electrodomesticas

7GD25SFXHS01 ICE MAKER





7GD25SFXHS01 ICE MAKER

1	489084	SCREW (S/P)
2	2196157	FITTING, WATER TUBE
3	2255153	TUBE, FILTER OUTLET (S/P)
4	8201597	TUBE, FILTER INLET (S/P)
5	628379	CLIP, FUSE (S/P)
6	8201513	NUT, COMPRESSION (S/P)
7	4387492	TUBE, WATER (S/P)
9	489478	SCREW (S/P)
10	4389177	VALVE, SOLENOID
11	627018	NUT, COMPRESSION (S/P)
14	488366	TUBE CLAMP (S/P)
18	2174155	COVER (S/P)
19	488649	SCREW (S/P)
20	628228	MOLD & HEATER ASSEMBLY (S/P)
20	542638	SILICONE GREASE (S/P)
22	628356	CUP, WATER FILL
23	627843	EJECTOR (S/P)
24	2182124	ICE STRIPPER (S/P)
25	2195914	SUPPORT (S/P)
26	2315522	RETAINER, THERMOSTAT (S/P)
27	4317852	CEMENT ALUMILASTIC) (S/P)
27	627985	THERMOSTAT (ALSO ORDER
28	489322	SCREW (S/P)
30	489276	SCREW (S/P)
31	2304354	SHUT OFF ARM (S/P)
32	2187464	HARNESS, WIRING (S/P)
33	628320	BRACKET (S/P)
35	628366	MODULE ASSEMBLY (S/P)
37	628398	MOTOR (S/P)
38	489136	SCREW (S/P)
40	4318011	NUT, COMPRESSION (S/P)
100	1117510	TORX KEY (S/P)