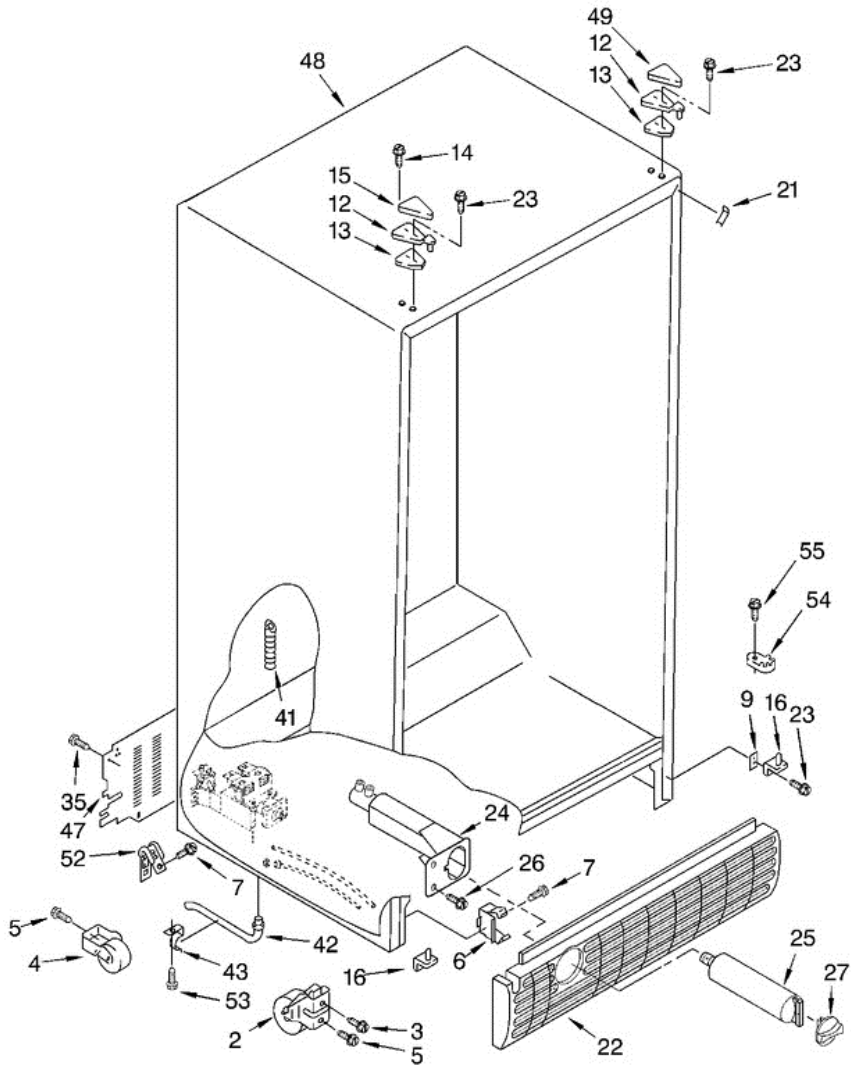


7GD25SFXHS02 CABINET

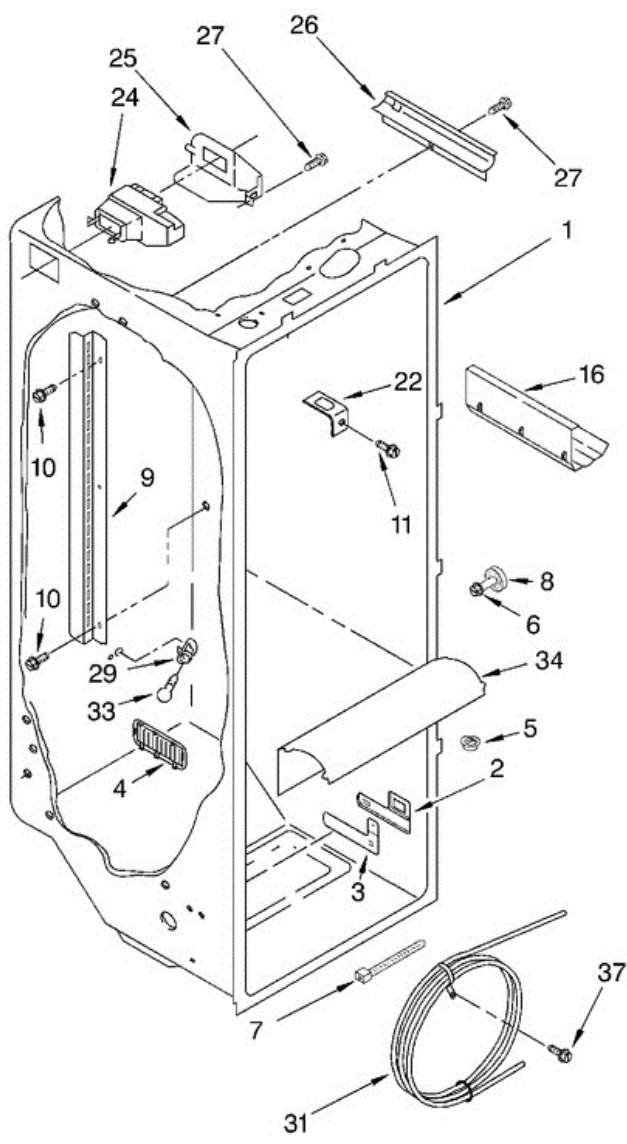




7GD25SFXHS02 CABINET

2	2174748	FRONT ROLLER (2)
3	3400517	SCREW
4	2196236	ROLLER (REAR) (2)
5	489427	SCREW
6	2155013	CLIP, GRILLE
7	489478	SCREW
9	2156056	SHIM
12	2196046	HINGE, TOP (2)
13	2196049	SHIM, HINGE TOP
14	489284	SCREW
15	2171947	HINGE COVER
16	2171851	HINGE BOTTOM (2)
21	2196097	FILLER, WRAPPER
22	2198468B	GRILLE
23	489497	SCREW
24	2186443	HOUSING, WATER FILTER
25	2203220	FILTER, WATER
26	489500	SCREW
27	2186494B	CAP, WATER FILTER
35	489464	SCREW
41	940139	FITTING, DRAIN
42	1108438	TUBE, EXTENSION
43	1108439	CLIP, DRAIN TUBE
47	2176140	COVER, UNIT
48	N/A	CABINET (NOT A SERVICEABLE PART)
49	2155938	HINGE COVER
52	549193	CLAMP, SERVICE CORD
53	489084	SCREW
54	2155311	DOOR CLOSER, LOWER CAM (2)
55	489483	SCREW

**7GD25SFXHS02 REFRIGERATOR
 LINER**

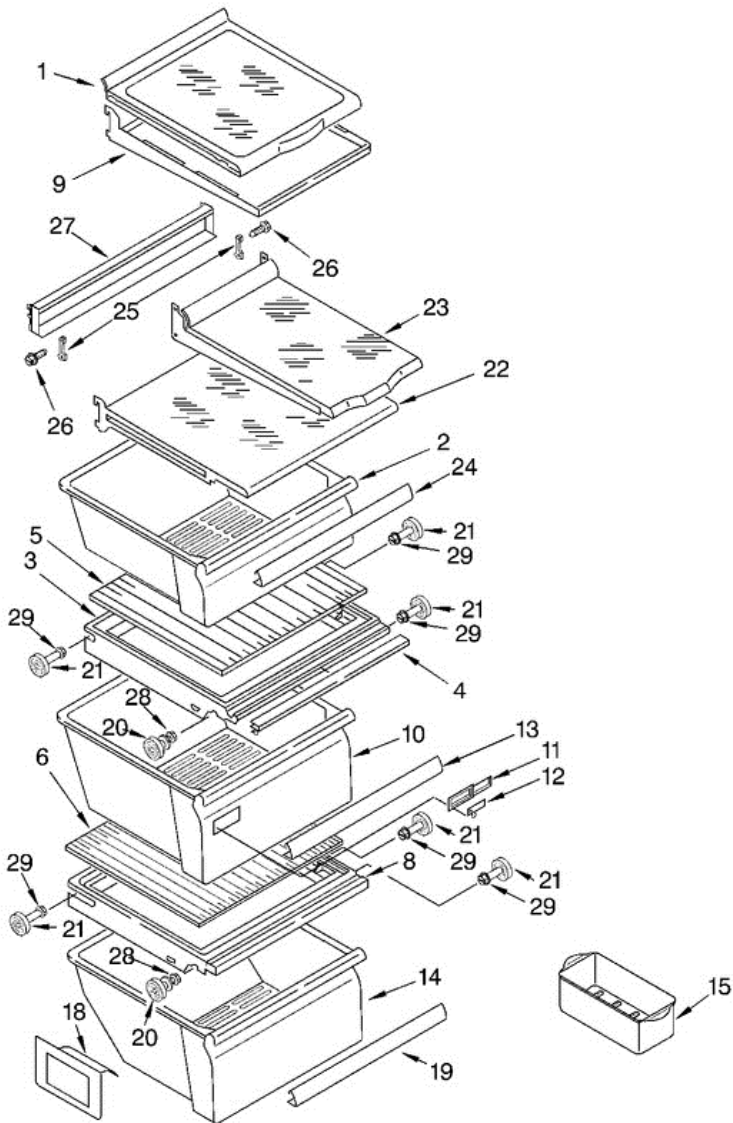




7GD25SFXHS02 REFRIGERATOR LINER

1	N/A	LINER (NOT A SERVICEABLE PART)
2	2194744	ESCUTCHEON, MEAT PAN CONTROL
3	2182757	SLIDE MEAT PAN CONTROL
4	2182147	LOUVER
5	2171846	RELEASE VALVE
6	8281158	SCREW
7	2205813	STRAP
8	2196483	STUD ASSEMBLY
9	2206273	LADDER, SHELF
10	487539	SCREW
11	489290	SCREW (2)
16	2179404	RACK, WINE & EGG
22	1123919	BRACKET, RETAINER
24	2209753	AIR DIFFUSER ASSEMBLY
25	2152019	COVER, AIR DIFFUSER
26	2150331	COVER, CONDUIT
27	486298	SCREW
29	2162085	SOCKET
31	2209687	RESERVOIR
33	527949	LIGHT BULB
34	2206269	LIGHT LENS
37	488280	SCREW (2)

**7GD25SFXHS02 REFRIGERATOR
 SHELF**

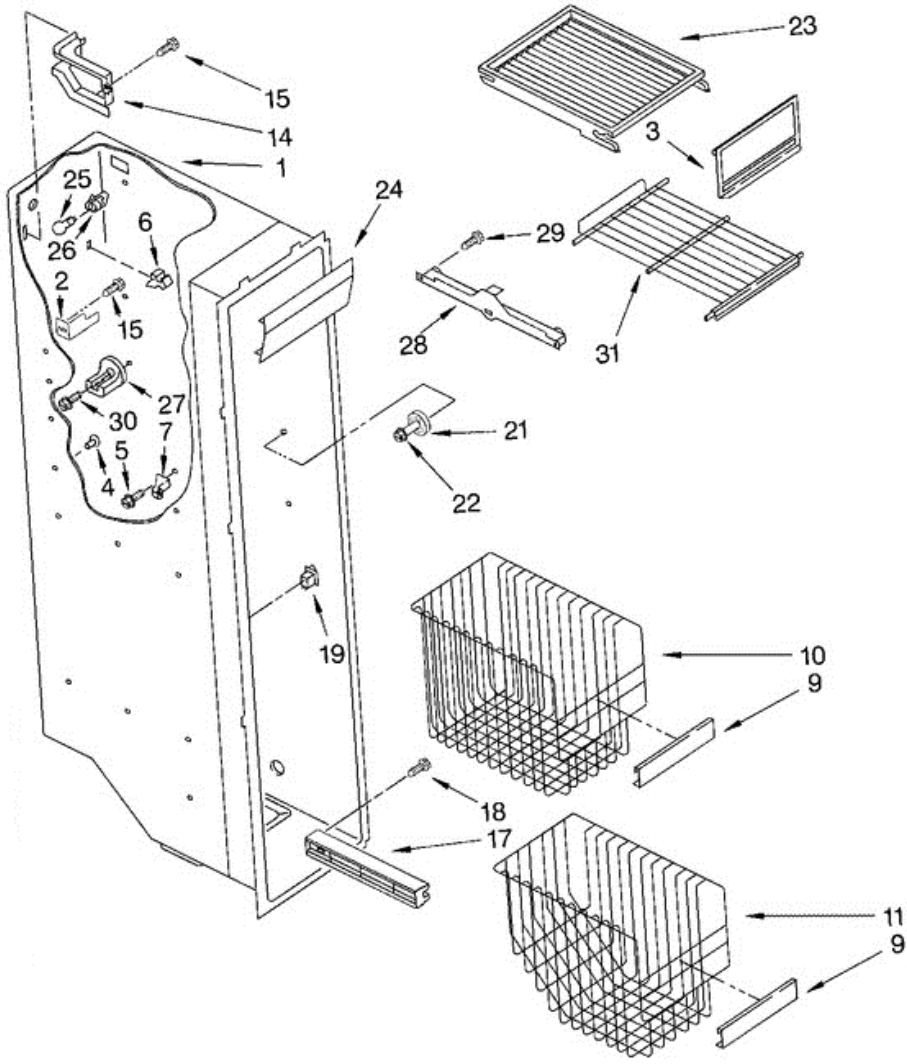




7GD25SFXHS02 REFRIGERATOR SHELF

1	2194736	SHELF ASSEMBLY, GLASS SLIDING (2)
2	2196233	SNACK BIN
3	2194578	COVER, CRISPER
4	2174442	GASKET, COVER (FRONT)
5	2174150	GLASS, COVER
6	2179259	GLASS, COVER
8	2189601	COVER, MEAT PAN
9	2195975	FRAME, SHELF (2)
10	2196232	PAN, CRISPER
11	2179343	FRONT, CRISPER PAN
12	2179342	SLIDE, HUMIDITY CONTROL
13	2194913	TRIM, HANDLE
14	2196231	MEAT PAN
15	2182730	EGG BIN
18	2179350	DEFLECTOR
19	2194906	TRIM, HANDLE
20	2196485	STUD ASSEMBLY
21	2196483	STUD ASSEMBLY
22	2206347	SHELF, SNACK BIN
23	2194741	SHELF, SLIDE (SIDE TO SIDE)
24	2179243	TRIM, HANDLE
25	2169608	HOOK, SHELF
26	489419	SCREW
27	2174422	TRACK, SHELF
28	3400894	SCREW
29	8281158	SCREW

7GD25SFXHS02 FREEZER LINER

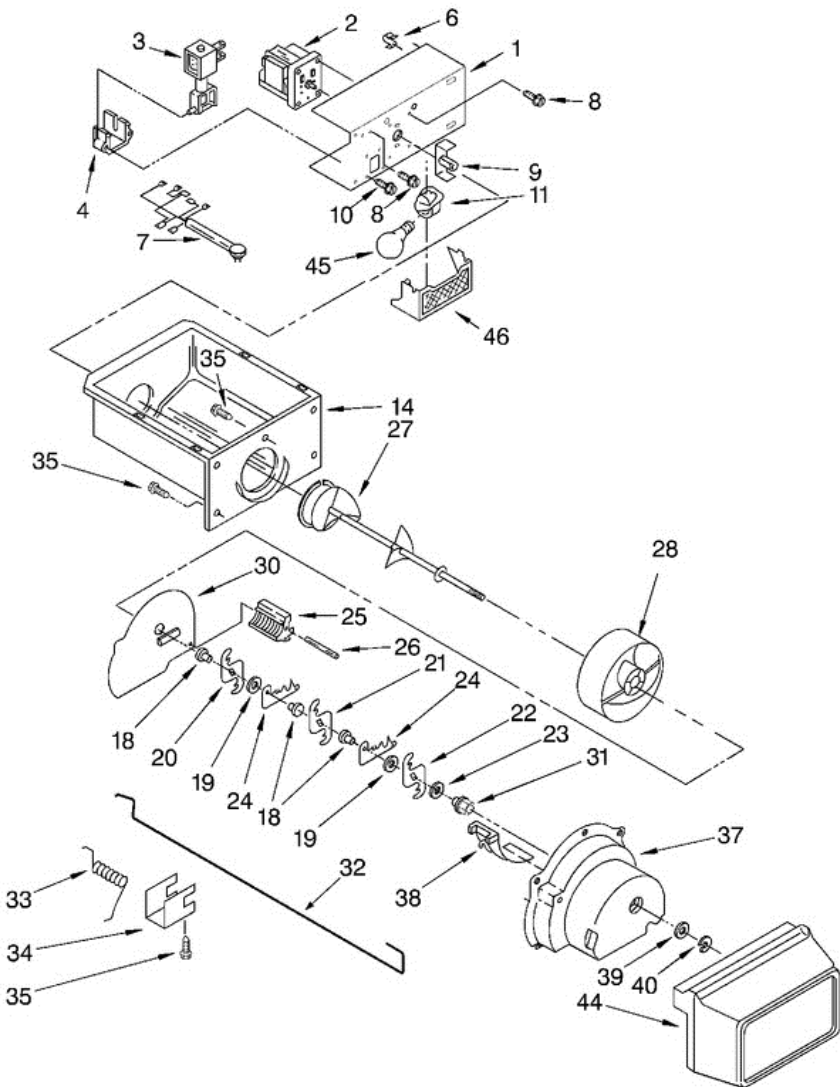




7GD25SFXHS02 FREEZER LINER

1	N/A	LINER (NOT A SERVICEABLE PART)
2	2209674	BRACKET, FILL TUBE
3	2171713	DOOR, ICE COMPARTMENT
4	2176134	GROMMET
5	3400893	SCREW
6	842534	CLIP, AIR DUCT (2)
7	2196206	SUPPORT, STUD
9	2195905	TRIM, BASKET
10	2181765	BASKET, TALL
11	2181764	BASKET, SLOPE
14	2155572	COVER, WIRING
15	489355	SCREW
17	2181759	SLIDE, BASKET (LEFT SIDE (2))
17	2181760	SLIDE, BASKET (RIGHT SIDE (2))
18	486298	SCREW
19	1115373	SWITCH, ROCKER ARM
21	2196483	STUD, SHELF (4)
22	8281158	SCREW
23	2194297	SHELF, TOP COMPARTMENT
24	2171705	LENS, LIGHT
25	527949	LIGHT BULB
26	2162085	LIGHT SOCKET
27	2196207	STUD, REAR
28	1119237	SLIDE, CONTAINER (LEFT SIDE)
28	1119293	SLIDE, CONTAINER (RIGHT SIDE)
29	489100	SCREW
30	3400893	SCREW
31	2174267	SHELF

**7GD25SFXHS02 MOTOR & ICE
 CONTAINER**



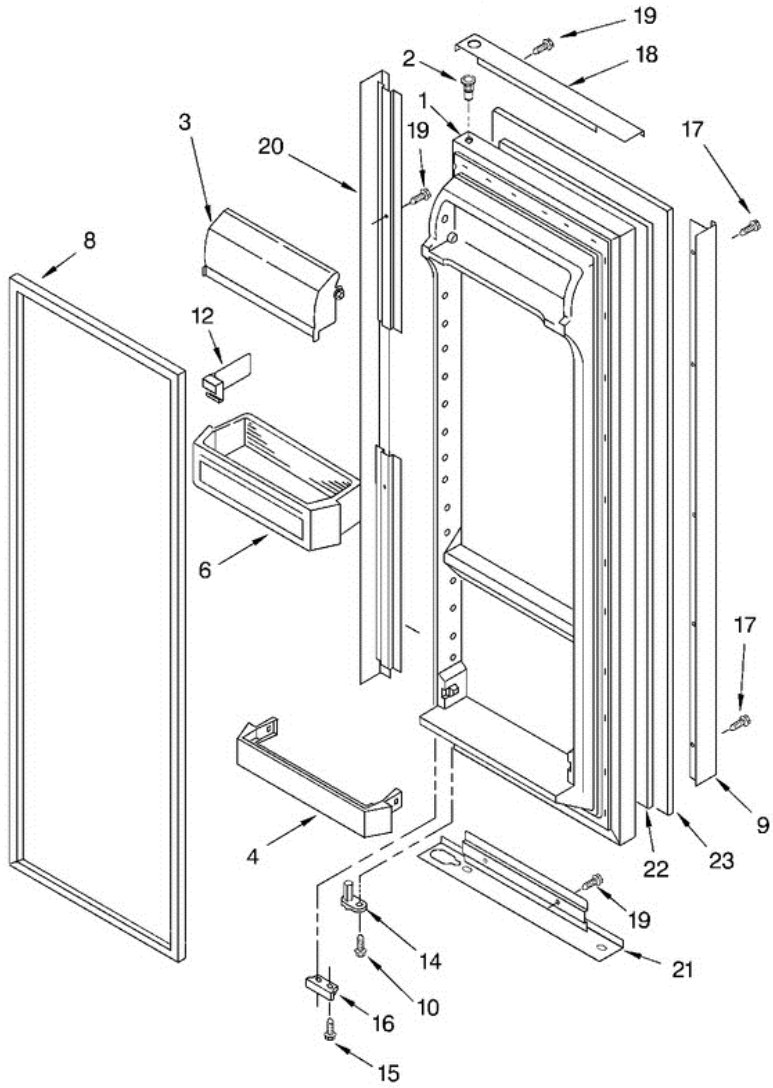


7GD25SFXHS02 MOTOR & ICE CONTAINER

1	2183726	BRACKET, MOTOR
2	2188385	MOTOR, DISPENSER
3	2152713	SOLENOID ASSEMBLY
4	2149100	GUIDE, SOLENOID
6	1115374	CLIP, WIRING
7	2206501	WIRING ASSEMBLY, ICE DISPENSER
8	489399	SCREW
9	2205716	COUPLING, MOTOR
10	489478	SCREW
11	2162085	SOCKET, LIGHT
14	2196091	ICE CONTAINER
18	1119005	SPACER, STEP (3)
19	1119007	SPACER, FLAT (2)
20	1119006	BLADE, ROTARY
21	1119012	BLADE, ROTARY
22	1119013	BLADE, ROTARY
23	489235	WASHER, PLAIN
24	1119009	BLADE, FIXED (2)
25	2157405	BLOCK BLADE
26	489229	ROLL PIN
27	2196295	AUGER
28	2209781	DRUM
30	2171682	FLOATING BAFFLE
31	1119018	NUT, BEARING
32	2155231	CONTROL ARM
33	1119020	SPRING, RETURN
34	1119021	RETAINER CLIP, ROD
35	488886	SCREW
37	2180348	HOUSING, CRUSHER
38	1119017	DEFLECTOR, ICE
39	489234	WASHER, PLAIN
40	489236	RETAINER RING
44	2204321	FRONT COVER, ICE CONTAINER

45	527949	LIGHT BULB
46	2171706	LIGHT LENS, DISPENSER

7GD25SFXHS02 REFRIGERATOR DOOR

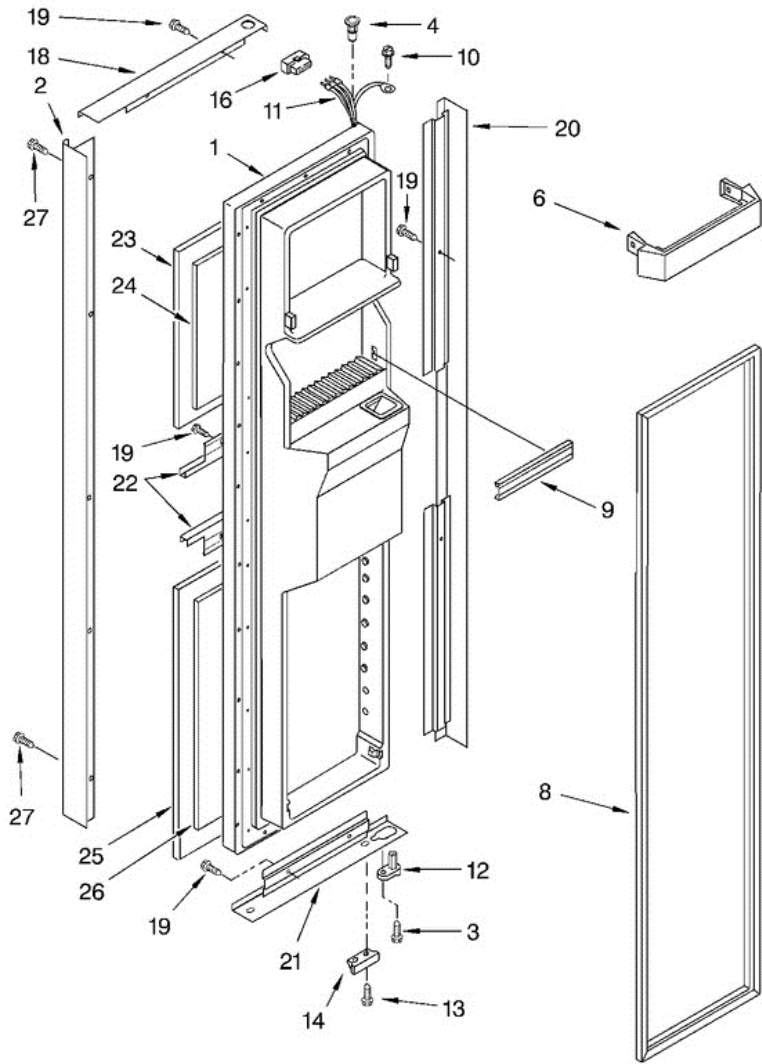




7GD25SFXHS02 REFRIGERATOR DOOR

1	2203397	REFRIGERATOR DOOR (INCLUDES ITEM NO.8)
2	2182180	THIMBLE, TOP
3	2177105	DOOR, COMPARTMENT
4	2156022	TRIVET, SHELF
6	2179607	SHELF BIN (3)
8	2159083	DOOR GASKET, MAGNETIC (SERVICE)
9	2203816S	HANDLE, CENTER
10	3400012	SCREW
12	2195496	DIVIDER, BIN
14	2182178	DOOR CLOSER, UPPER CAM
15	489420	SCREW
16	2195950	BRACKET, DOOR STOP (CHROME)
16	2195952	BRACKET, DOOR STOP (BLACK)
17	3400897	SCREW
18	2203381S	TRIM, DOOR (TOP)
19	3196537	SCREW
20	2186765S	TRIM, DOOR (SIDE)
21	2203377S	TRIM, DOOR (BOTTOM)
22	2208279	FILLER, PANEL
23	2203294S	

7GD25SFXHS02 FREEZER DOOR

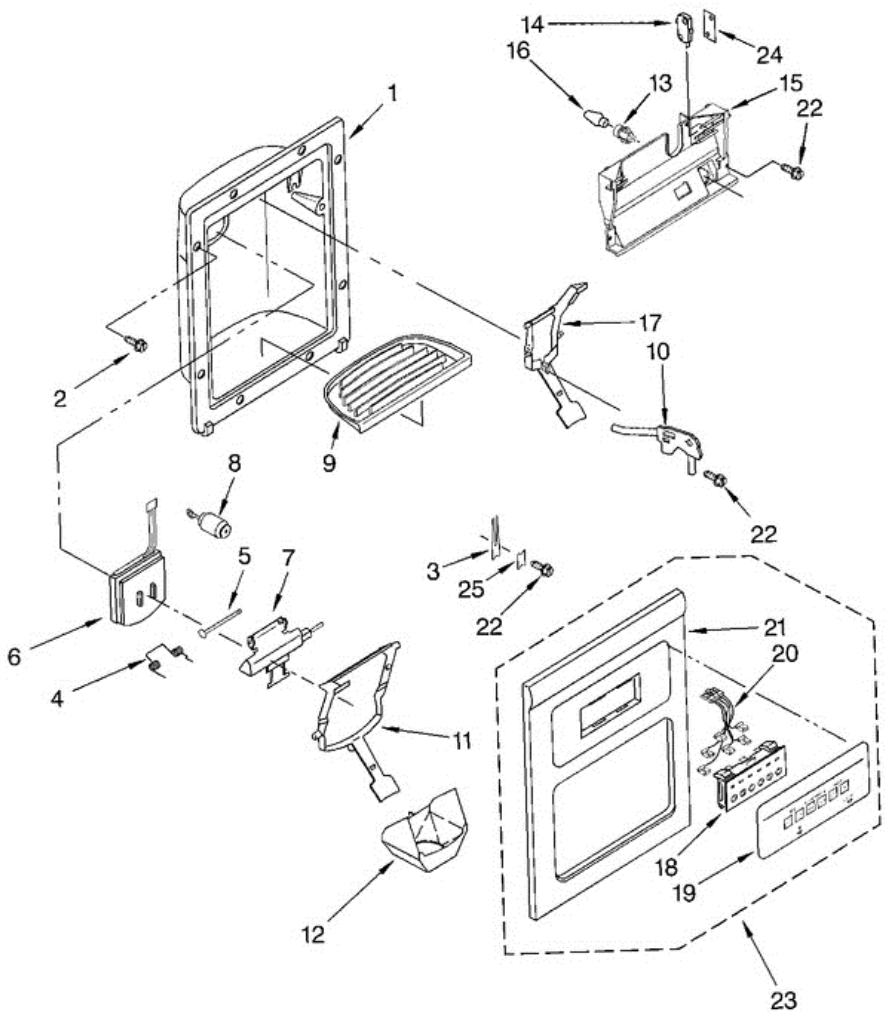




7GD25SFXHS02 FREEZER DOOR

1	2204346S	FREEZER DOOR (INCLUDES ITEM NO.8)
2	2203819S	HANDLE, CENTER
3	3400012	SCREW
4	2182181	THIMBLE-TOP
6	2171157	TRIVET, SHELF (4)
8	2159082	DOOR GASKET, MAGNETIC (SERVICE)
9	2209681	TRIM, DOOR SHELF
10	8281149	SCREW
11	2183713	WIRING HARNESS
12	2182179	DOOR CLOSER, UPPER CAM
13	489420	SCREW
14	2195950	BRACKET, DOOR STOP (CHROME)
14	2195952	BRACKET, DOOR STOP (BLACK)
16	2154473	CONNECTOR
18	2203373S	TRIM, DOOR (TOP)
19	3196537	SCREW
20	2186765S	TRIM, DOOR (SIDE)
21	2203367S	TRIM, DOOR (BOTTOM)
22	2186778S	TRIM, DOOR (DISPENSER, TOP & BOTTOM)
23	2203290S	PANEL, UPPER
24	2208277	FILLER, PANEL (UPPER)
25	2203292S	PANEL, LOWER
26	2208278	FILLER, PANEL (LOWER)
27	3400897	SCREW

7GD25SFXHS02 DISPENSER FRONT

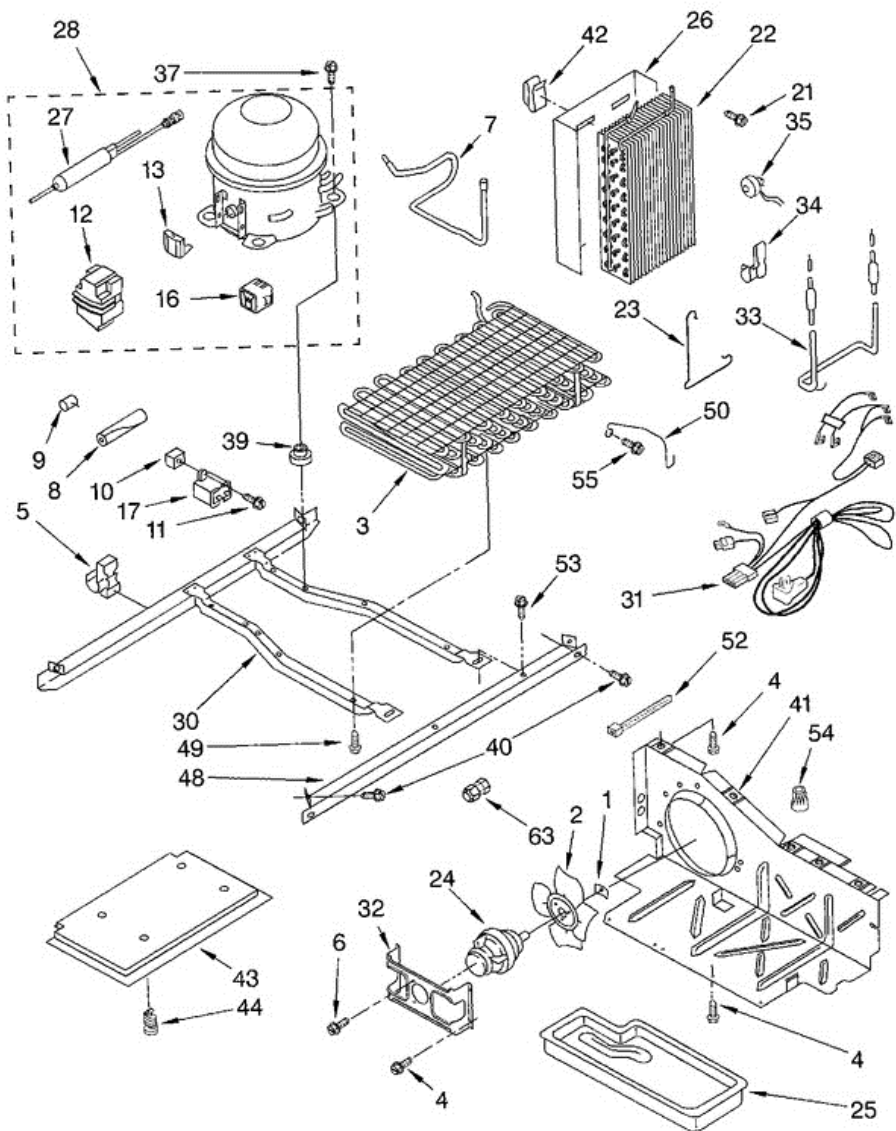




7GD25SFXHS02 DISPENSER FRONT

1	N/A	HOUSING, DISPENSER (NOT A SERVICEABLE PART)
2	489101	SCREW
3	2194719	RETAINER, LEVERS
4	2180209	SPRING, TORSION
5	2196195	PIN
6	2180352	DOOR, ICE
7	2206423	DOOR MECHANISM ASSEMBLY
8	2205686	DELAY MECHANISM
9	2180243	GRILLE, OVERFLOW
10	2209718	WATER FITTING ASSEMBLY (INCLUDES WATER TUBE)
11	2180258	LEVER, ICE DISPENSER (BLACK (STORM GREY PAD))
12	2180224	GUIDE, ICE
13	2180200	LAMP HOLDER
14	2162361	SWITCH (4)
15	2183771	BRACKET, CONTROL
16	3406124	LIGHT BULB
17	2180267	LEVER, WATER DISPENSER (BLACK
18	2180236	SWITCH ASSEMBLY (ALSO ORDER NO. 19)
19	2186555B	OVERLAY, FRONT COVER
20	2196199	WIRE ASSEMBLY
21	N/A	FRONT COVER, (NOT AVAILABLE, ORDER NO.23)
22	489000	SCREW
23	2186552B	FRONT COVER ASSEMBLY (INCLUDES 18, 19, 20 & 21)
24	625834	SPACER, SWITCH (2)
25	2195051	STRAIN RELIEF

7GD25SFXHS02 UNIT



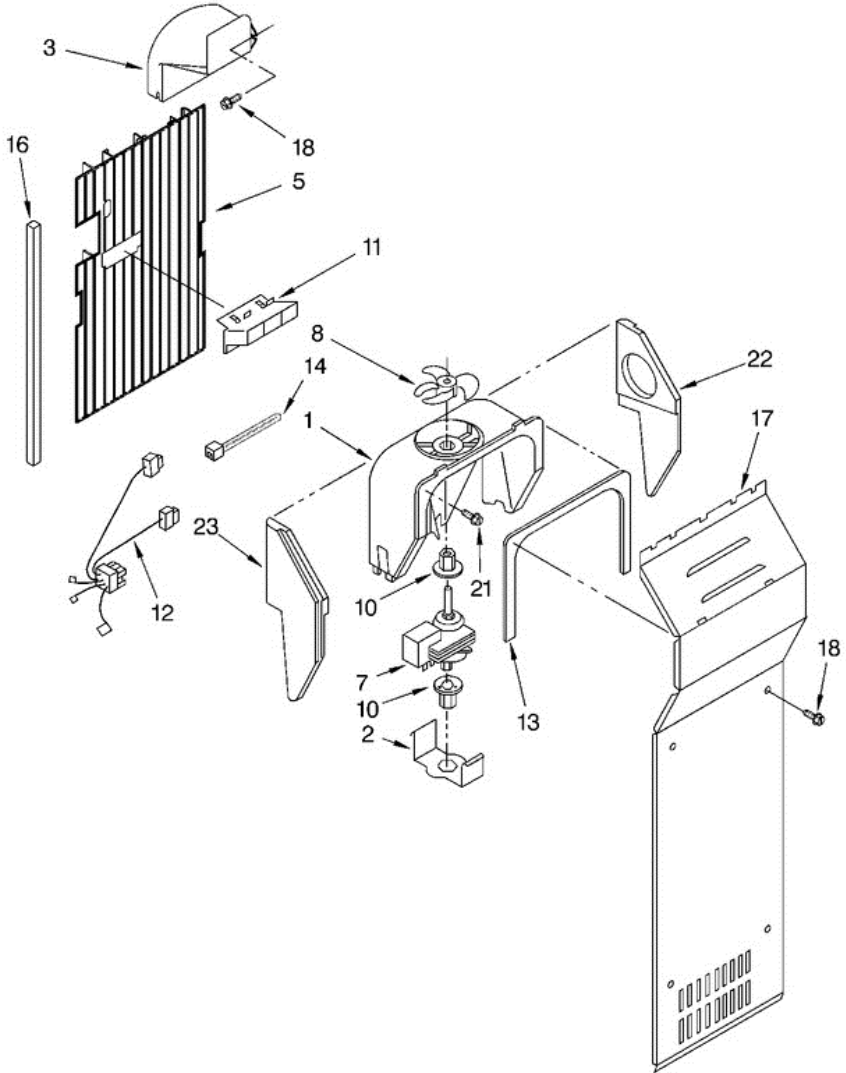


7GD25SFXHS02 UNIT

1	486692	SPEED NUT
2	2190685	BLADE, FAN
3	2204242B	CONDENSER ASSEMBLY
4	489464	SCREW
5	2208280	CLIP, WIRE & TUBE
6	489099	SCREW
7	2204239	TUBE, SUCTION
8	2161302	SLEEVE
9	2158826	DAMPENER
10	509812	SCREW GROMMET
11	488687	SCREW
12	4387731	COVER (SERVICE COMPRESSOR ONLY)
13	4387835	OVERLOAD
16	2188506	START DEVICE, COMBINATION
17	2169137	CAPACITOR (PRODUCTION)
17	4387764	CAPACITOR (SERVICE COMPRESSOR ONLY)
21	489478	SCREW
22	2209611	EVAPORATOR
23	2161324	CLAMP
24	2176336	FAN, MOTOR
25	1105523	TRAY, EVAPORATOR
26	2149294	HEAT SHIELD
27	2199167	DRIER
28	2183455	COMPRESSOR (INCLUDES ITEMS 12, 13, 17 & 27)
30	2157396	UNIT MOUNTING FRAME
31	2217051	HARNESS, UNIT
32	2181929	FAN, MOTOR BRACKET
33	2188175	HEATER, DEFROST
34	2161330	CLIP
35	2196155	BI-METAL, DEFROST
37	489473	SCREW
39	2183042	GROMMET (4)
40	489340	SCREW

41	2196202	AIR BAFFLE
42	2155547	CLIP, HEAT SHIELD
43	2206281	COVER, UNIT BOTTOM
44	489396	CLIP
48	1127906	UNIT MOUNTING RAIL
49	488624	SCREW
50	2186495	GUARD, FAN
52	2172840	STRAP
53	489427	SCREW
54	227991	WIRE CONNECTOR
55	488649	SCREW
63	2196152	UNION
63	876764	VALVE, ACCESS (3/16``)
63	978025	VALVE, ACCESS (1/4``)
63	978026	VALVE, ACCESS (5/16``)
63	978027	VALVE, ACCESS (3/8``)
63	978028	VALVE, ACCESS (1/2``)
63	978029	VALVE, ACCESS (5/8``)
63	978030	VALVE, ACCESS (3/4``)

7GD25SFXHS02 AIR FLOW

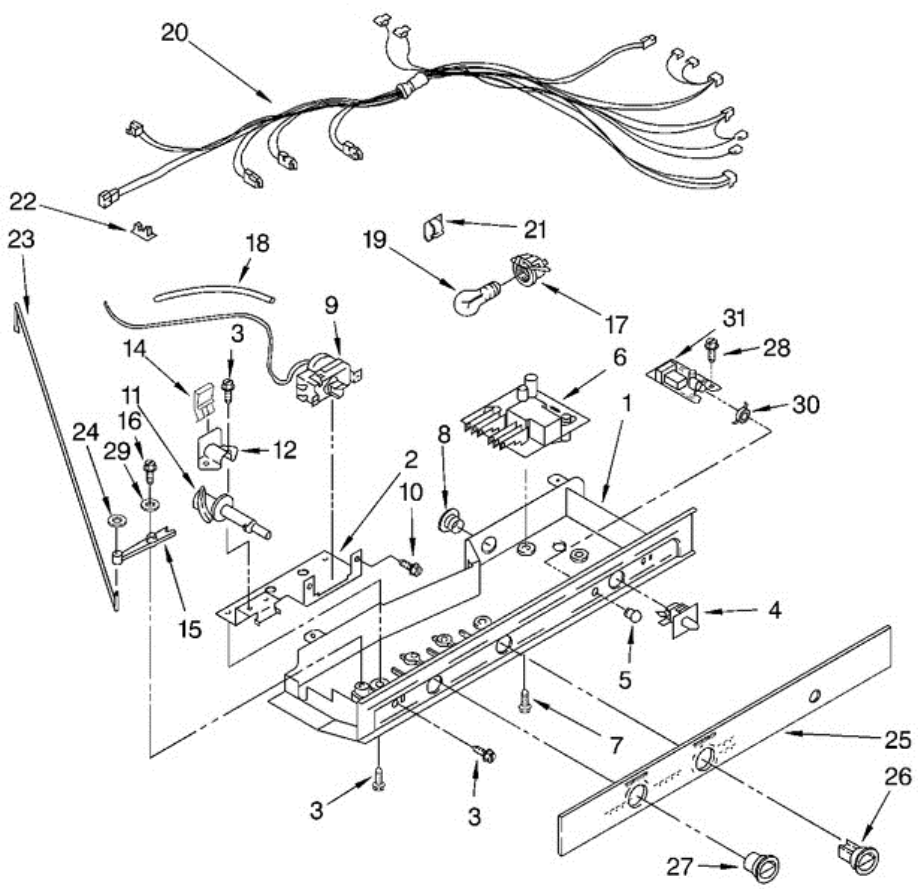




7GD25SFXHS02 AIR FLOW

1	2182120	SCROLL, FAN
2	2155590	RETAINER, FAN MOTOR
3	2161231	AIR SCOOP
5	2203593	AIR DUCT FREEZER
7	2162404	FAN MOTOR
8	2169142	BLADE, FAN
10	2176759	GROMMET, FAN (2)
11	2182146	DUCT, ICEMAKER
12	2206504	HARNES, FAN EVAPORATOR, AND HEATER,
13	2155789	GASKET COVER
14	2172840	WIRE TIE
16	2203876	GASKET
17	2203841	COVER, EVAPORATOR
18	489355	SCREW
21	489478	SCREW
22	2203595	SUPPORT, R.S
23	2203596	SUPPORT, L.S

7GD25SFXHS02 CONTROL

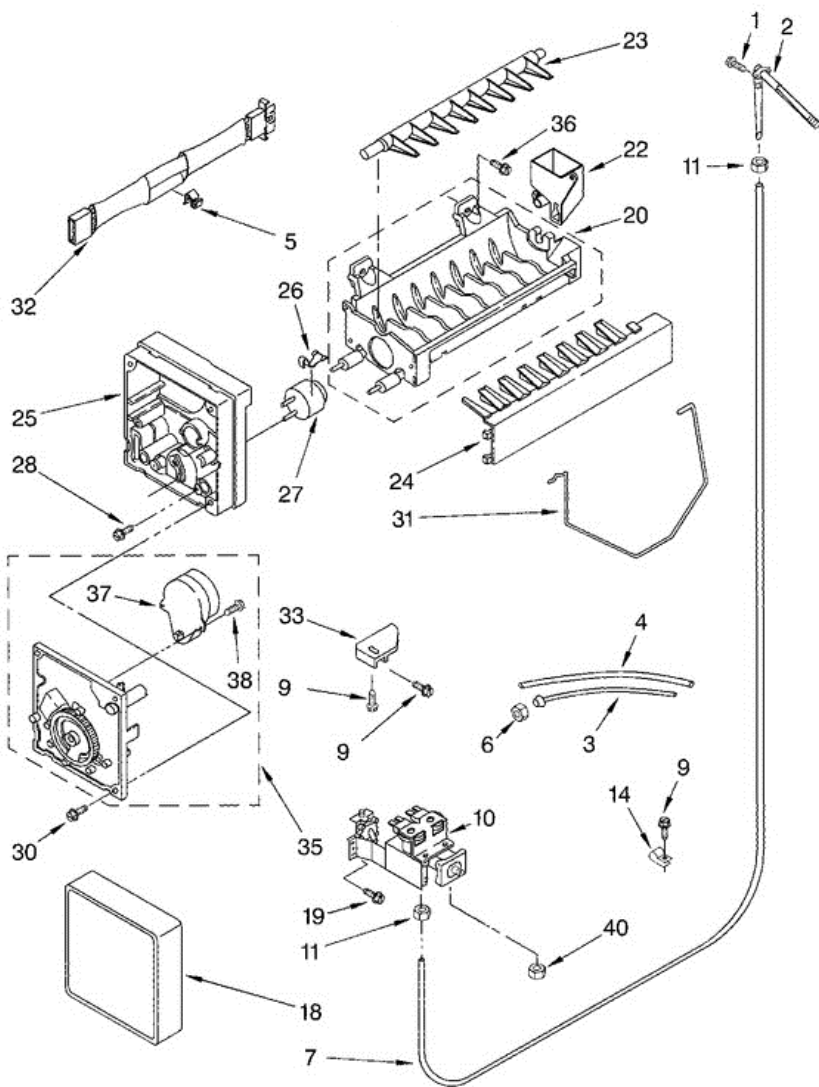




7GD25SFXHS02 CONTROL

1	2200136	CONTROL BOX
2	1110629	MOUNTING BRACKET
3	3196537	SCREW (4)
4	2149705	LIGHT SWITCH
5	2200096	COVER, LIGHT LENS
6	2188159	ADAPTIVE DEFROST CONTROL
7	489398	SCREW (2)
8	940014	HOLE PLUG
9	2198202	THERMOSTAT ASSEMBLY
10	487869	SCREW
11	2182195	CAM ASSEMBLY
12	1110560	BEARING BODY
14	2196062	CLIP, DAMPER CONTROL
15	1110559	PIVOT ARM
16	627068	SCREW
17	2162085	LIGHT SOCKET
18	2196001	THERMOSTAT, BARRIER
19	527949	LIGHT BULB
20	2206515	CONTROL BOX HARNESS
21	1115374	CLIP, WIRING
22	1115375	CLIP-WIRING
23	1123960	CONNECTING ROD
24	489285	FASTENER, PUSH-ON
25	2200100	ESCUTCHEON, CONTROL BOX
26	2182111	KNOB, THERMOSTAT
27	2197871	KNOB, AIR CONTROL
28	489214	SCREW
29	489203	SPRING WASHER
30	2200097	RETAINER, LIGHT LENS
31	2203384	P.C. BOARD FILTER INDICATOR

7GD25SFXHS02 ICE MAKER





7GD25SFXHS02 ICE MAKER

1	489084	SCREW
2	2196157	FITTING, WATER TUBE
3	2186493	TUBE, FILTER OUTLET
4	2186492	TUBE, FILTER INLET
5	628379	CLIP, FUSE
6	2200083	NUT, COMPRESSION
7	2181940	TUBE, WATER
9	489478	SCREW
10	2205762	VALVE, SOLENOID
11	627018	NUT, COMPRESSION
14	489385	TUBE CLAMP
18	2174155	COVER
19	488649	SCREW
20	542638	SILICONE GREASE
20	628228	MOLD & HEATER ASSEMBLY (ALSO ORDER
22	628356	CUP-WATER FILL
23	2194711	EJECTOR
24	2182124	ICE STRIPPER
25	2194712	SUPPORT
26	627796	RETAINER, THERMOSTAT
27	542369	CEMENT ALUMILASTIC)
27	628397	THERMOSTAT (ALSO ORDER)
28	489322	SCREW
30	489276	SCREW
31	2171593	SHUT OFF ARM
32	628256	HARNESS, WIRING
33	628320	BRACKET
35	628399	MODULE ASSEMBLY (INCLUDES ITEMS 37 AND 38)
36	488208	SCREW
37	628398	MOTOR
38	489136	SCREW
40	1129179	NUT, COMPRESSION
100	1117510	TORX KEY

100	212643	SEALER, GUM (4 FEET)
100	2149072	ICE CRUSHER MECHANISM ASSEMBLY
100	2209780	ICE CONTIANER ASSEMBLY