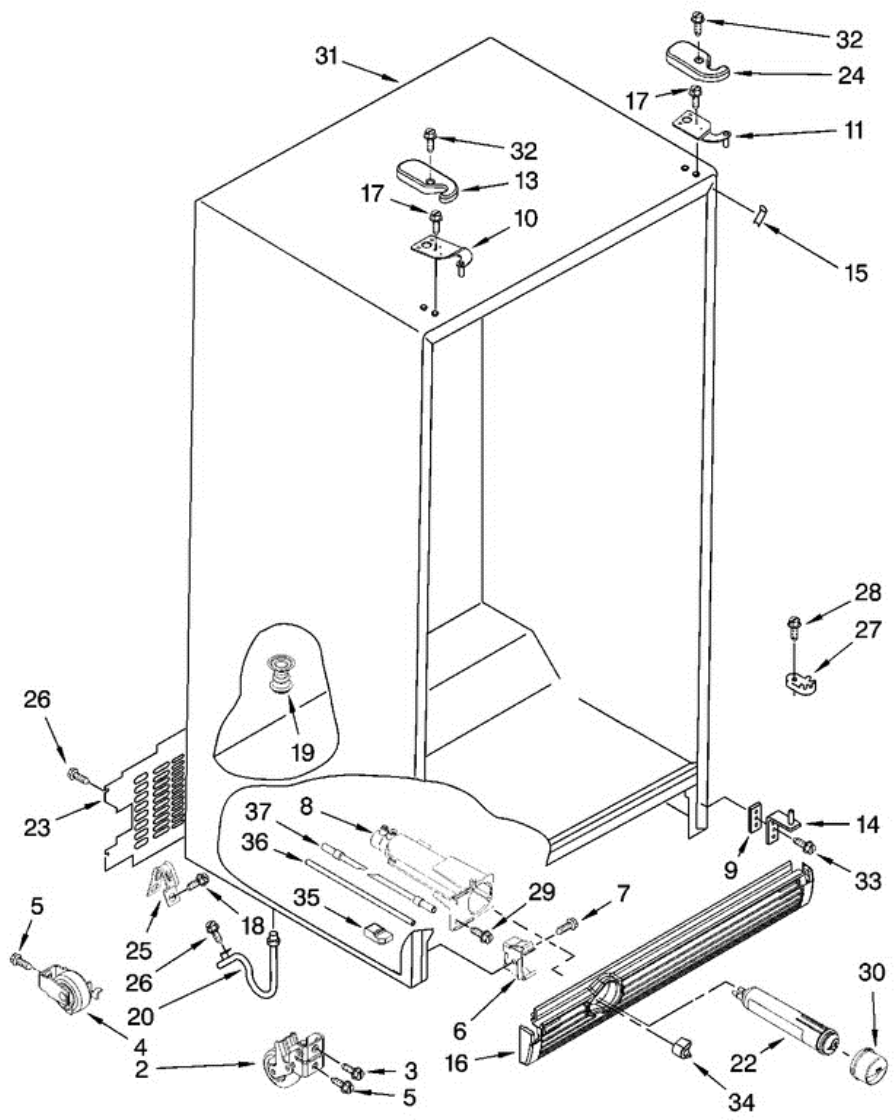


7GS2FHAXTA02 CABINET

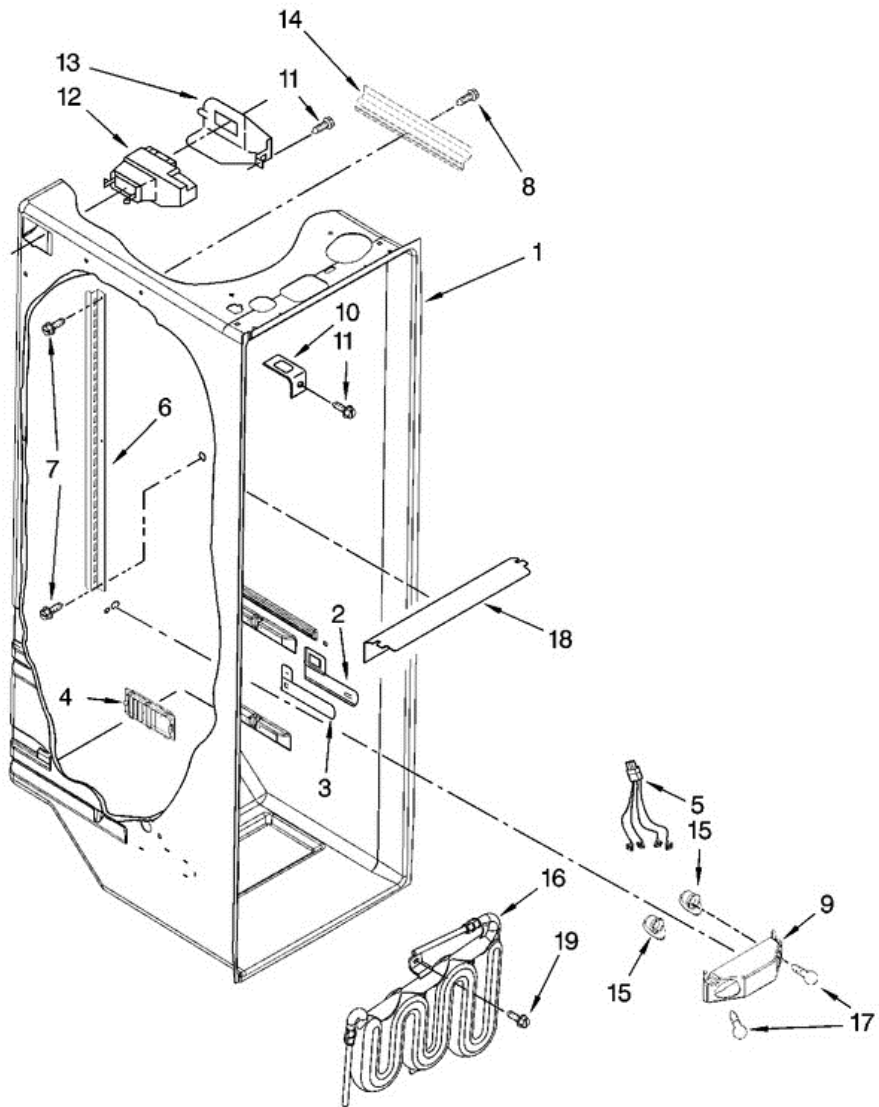




7GS2FHAXTA02 CABINET

2	2174748	FRONT ROLLER (2)
3	3400517	SCREW
4	2196236	REAR ROLLER (2)
5	489427	SCREW
6	2155013	CLIP, GRILLE
7	489478	SCREW
8	2260507	HOUSING, WATER FILTER
9	2209697	SHIM (2)
10	2203770	HINGE, TOP (FC)
11	2203771	HINGE, TOP (RC)
13	2203407AP	HINGE COVER (FC) (APOLLO GREY)
14	2304322	HINGE BOTTOM (2)
15	W10143043	FILLER, WRAPPER (APOLLO GREY)
16	2260501MG	GRILLE (MIDNIGHT GREY)
17	489497	SCREW
19	2304888	DRAIN FITTING
20	2304937	EXTENSION TUBE
22	4396841	WATER FILTER
23	2188737	COVER, UNIT
24	2203408AP	HINGE COVER, RC (APOLLO GREY)
25	489348	CLAMP, SERVICE CORD
26	489084	SCREW
27	2155311	DOOR CLOSER, LOWER CAM (2)
28	489483	SCREW
29	489500	SCREW
30	2260502MG	CAP, WATER FILTER (MIDNIGHT GREY)
31		CABINET, (NOT A SERVICEABLE PART)
32	8281227	SCREW
33	3400113	SCREW (4)
34	2260503MG	BUTTON, WATER FILTER (MIDNIGHT GREY)
35	2260519	BLOCK, HOUSING SUPPORT
36	2255153	TUBE, FILTER OUTLET
37	2319867	TUBE, FILTER INLET

**7GS2FHAXTA02 REFRIGERATOR
 LINER**

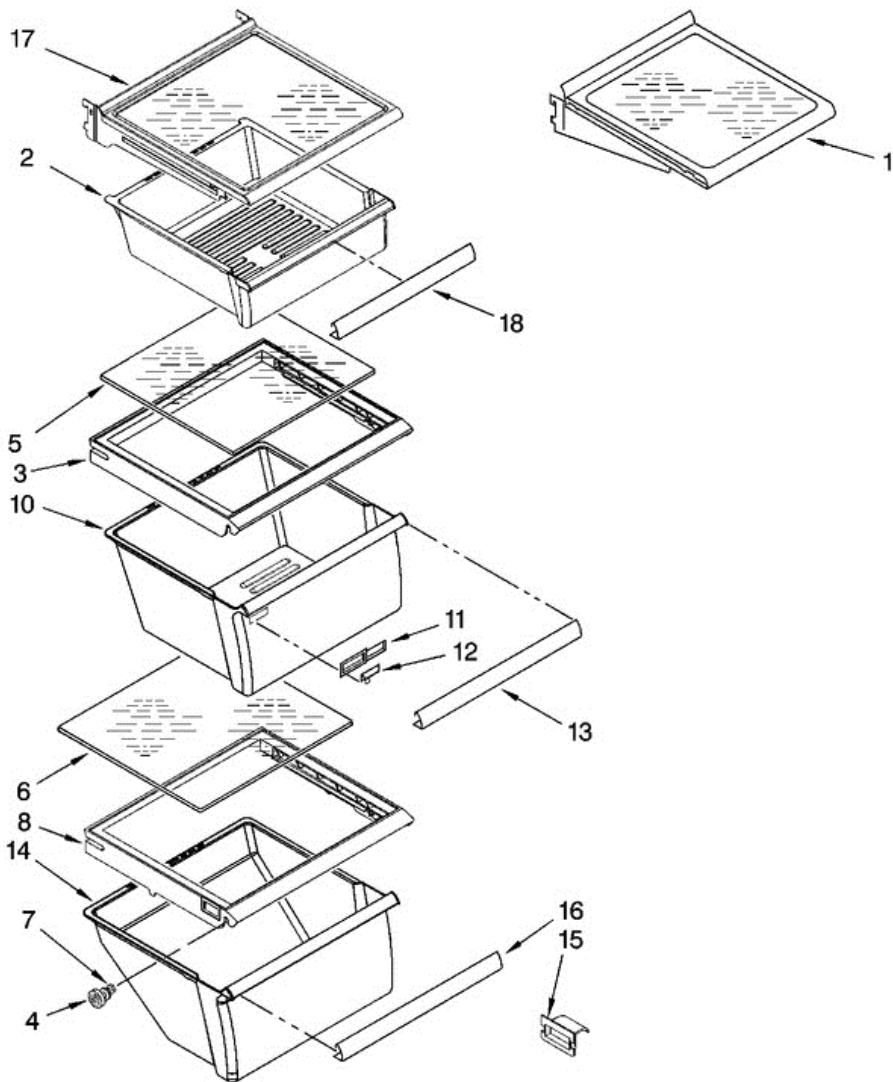




7GS2FHAXTA02 REFRIGERATOR LINER

1		LINER (NOT A SERVICEABLE PART)
2	W10175967	ESCUTCHEON, MEAT PAN CONTROL
3	2182757	SLIDE MEAT PAN CONTROL
4	2257741	LOUVER
5	2311637	WIRE HARNESS, DUAL CRISPER
6	2206270	SHELF LADDER
7	489478	SCREW
8	W10004810	SCREW (2)
9	2256035	BRACKET, DUAL CRISPER LIGHT
10	2256085	BRACKET RETAINER
11	489290	SCREW
12	W10151374	AIR DIFFUSER ASSEMBLY
13	2152019	AIR DIFFUSER COVER
14	2150331	COVER, CONDUIT
15	2162085	SOCKET
16	2307107	RESERVOIR
17	2255743	LIGHT BULB
18	2209769	LIGHT LENS
19	488280	SCREW

7GS2FHAXTA02 REFRIGERATOR SHELF

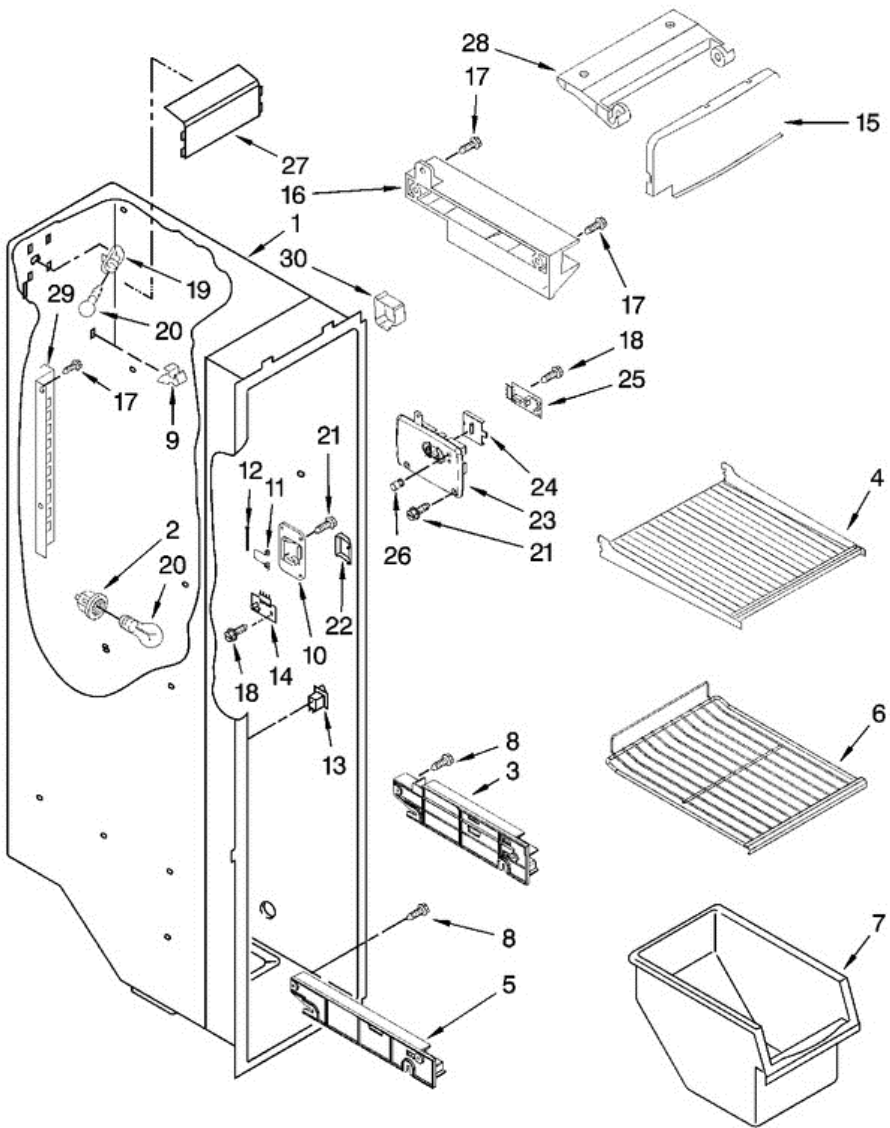




7GS2FHAXTA02 REFRIGERATOR SHELF

1	W10141749	SHELF ASSEMBLY, SPILLGUARD (2)
2	2188655	SNACK BIN
3	2209698	COVER, CRISPER
4	2196485	STUD ASSEMBLY
5	W10141752	GLASS, COVER
6	2179259	GLASS, COVER
7	3400894	SCREW
8	2311726	COVER, MEAT PAN
10	2188652	CRISPER PAN
11	2179343	FRONT, CRISPER PAN
12	2179342	SLIDE, HUMIDITY CONTROL
13	2255593	TRIM, HANDLE
14	2188654	MEAT PAN
15	2179350	DEFLECTOR
16	2255592	TRIM, HANDLE
17	W10141750	SHELF, SNACK BIN
18	2179243	TRIM, HANDLE

7GS2FHAXTA02 FREEZER LINER

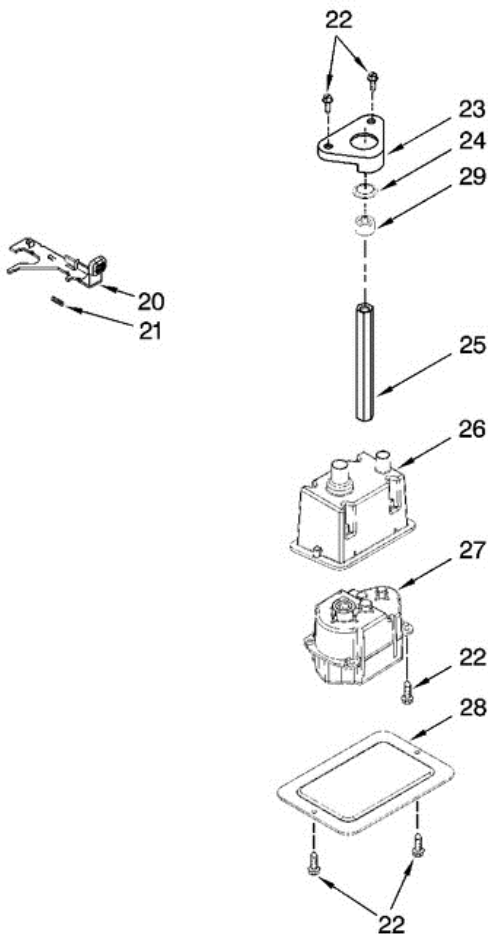
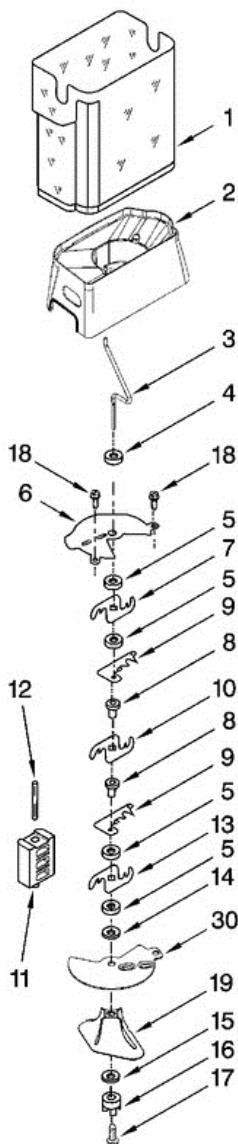




7GS2FHAXTA02 FREEZER LINER

1		LINER (NOT A SEVICEABLE PART)
2	2155597	SOCKET, LIGHT
3	2301291	TRACK, BASKET-DUAL (RIGHT)
3	2301292	TRACK, BASKET-DUAL (LEFT)
4	2211743K	SHELF, SLIDE OUT LOWER (2)
5	2301289	SHELF TRACK (RIGHT SIDE)
5	2301290	SHELF TRACK (LEFT SIDE)
6	2212343K	SHELF (2)
7	2216111	FREEZER BIN
8	W10004810	SCREW (8)
9	842534	CLIP, AIR DUCT (2)
10	2198587	COVER, EMITTER
11	2198635	SPRING
12	2198634	PIN
13	1115373	SWITCH, ROCKER ARM
14	2220398	P.C. BOARD EMITTER
15	W10180062	COVER, ICE MAKER
16	2212321	SLIDE, ICE MAKER
17	489478	SCREW
18	489214	SCREW
19	2162085	LIGHT SOCKET
20	2255743	LIGHT BULB
21	8281185	SCREW
22	2198633	FLIPPER
23	W10173569	COVER, RECEIVER
24	2315398	SLIDE, ICE MAKER SHUT OFF
25	2255114	P.C. BOARD, RECEIVER
26	2198643	LENS
27	2212376	LIGHT LENS
28	2198641	BRACKET, ICEMAKER COVER
29	2212315	LADDER (LEFT SIDE)
29	2212316	LADDER (RIGHT SIDE)
30	2303234	SHIELD, WIRING

7GS2FHAXTA02 MOTOR AND ICE CONTAINER

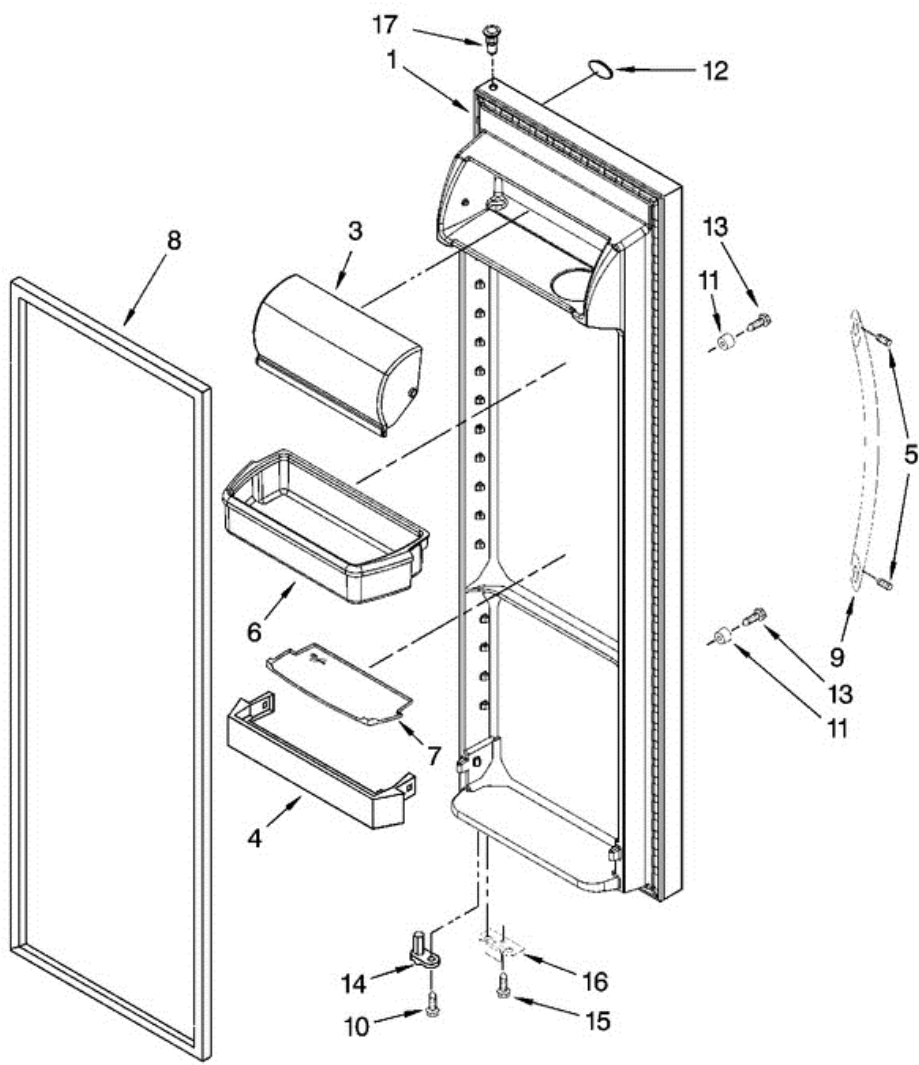




7GS2FHAXTA02 MOTOR AND ICE CONTAINER

1	2317255	ICE BIN
2	2317246	CRUSHER BIN
3	2317247	AUGER
4	2258220	WASHER
5	1119007	SPACER, FLAT (4)
6	2317248	COVER, CRUSHER
7	2257024	BLADE, ROTARY
8	1119005	SPACER, STEP
9	2257020	BLADE, FIXED
10	2257023	BLADE, ROTARY
11	2317239	BLOCK, BLADE
12	489229	ROLL PIN
13	2257022	BLADE, ROTARY
14	489235	WASHER, PLAIN
15	2198661	WASHER, COUPLING
16	2188918	COUPLING
17	8281164	SCREW
18	3400065	SCREW
19	2317250	DIVIDER-CHAMBER
20	2317260	LATCH, BIN
21	2198608	SPRING, LATCH
22	8281163	SCREW
23	2188919	HOLDER
24	2198628	SEAL
25	2188916	DRIVE SHAFT
26	2256154	ENCLOSURE, MOTOR
27	2315547	DISPENSER, MOTOR
28	2212305	COVER
29	2315559	SLEEVE. COUPLING
30	2317243	WIPER
100	2317261	ICE CONTAINER (COMPLETE)

7GS2FHAXTA02 REFRIGERATOR DOOR

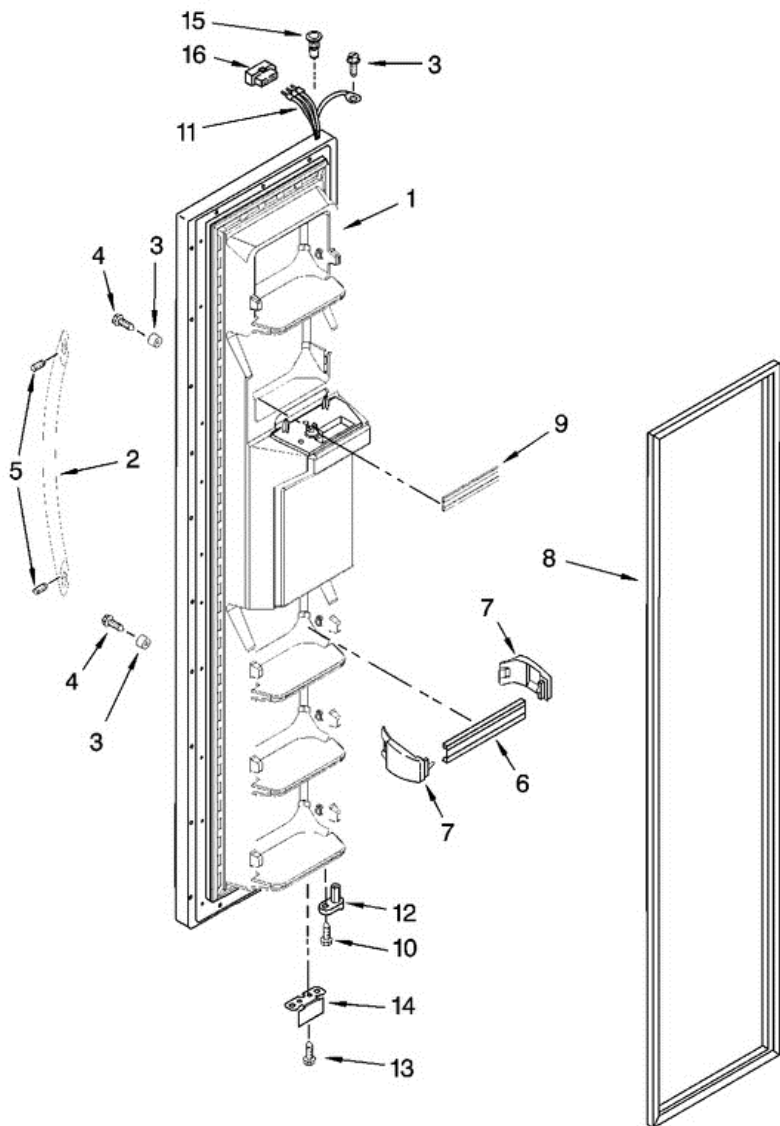




**7GS2FHAXTA02 REFRIGERATOR
DOOR**

1	W10119938	REFRIGERATOR DOOR (INCLUDES ITEM 8)
3	2256101	DOOR, COMPARTMENT
4	2156022	TRIVET, SHELF
5	8533918	SCREW, SET
6	2223239K	DOOR BIN (2)
7	2223464K	MAT, BIN
8	2326336	DOOR GASKET, MAGNETIC (APOLLO GREY)
9	2254604S	HANDLE (STAINLESS)
10	3400012	SCREW
11	2219698	STUD, HANDLE
12	2220214	NAMEPLATE
13	488208	SCREW
14	2182178	DOOR CLOSER, UPPER CAM
15	489420	SCREW
16	2200082	BRACKET, DOOR STOP (CHROME)
17	2200087	THIMBLE-TOP

7GS2FHAXTA02 FREEZER DOOR

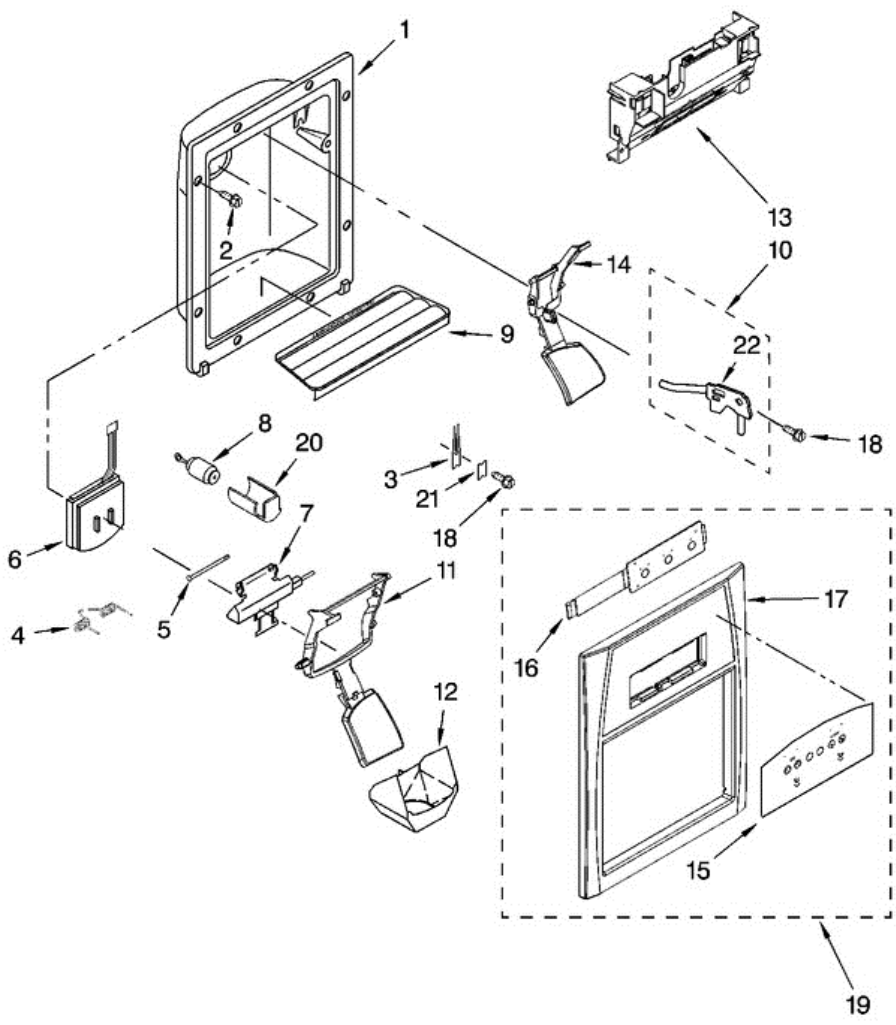




7GS2FHAXTA02 FREEZER DOOR

1	W10119943	FREEZER DOOR (INCLUDES ITEM 8 AND PARTS)
2	2254604S	HANDLE (STAINLESS)
3	2219698	STUD, HANDLE
4	488208	SCREW
5	8533918	SET SCREW
6	2313198K	TRIM, DOOR (3)
7	2195917	ENDCAP (6)
8	2326337	DOOR GASKET, MAGNETIC (APOLLO GREY)
9	2212375	TRIM, DOOR SHELF
10	3400012	SCREW
11	2187725	WIRE HARNESS
12	2182179	DOOR CLOSER, UPPER CAM
13	489420	SCREW
14	2200082	BRACKET, DOOR STOP (CHROME)
15	2200086	THIMBLE-TOP
16	2154473	CONNECTOR

7GS2FHAXTA02 DISPENSER





7GS2FHAXTA02 DISPENSER

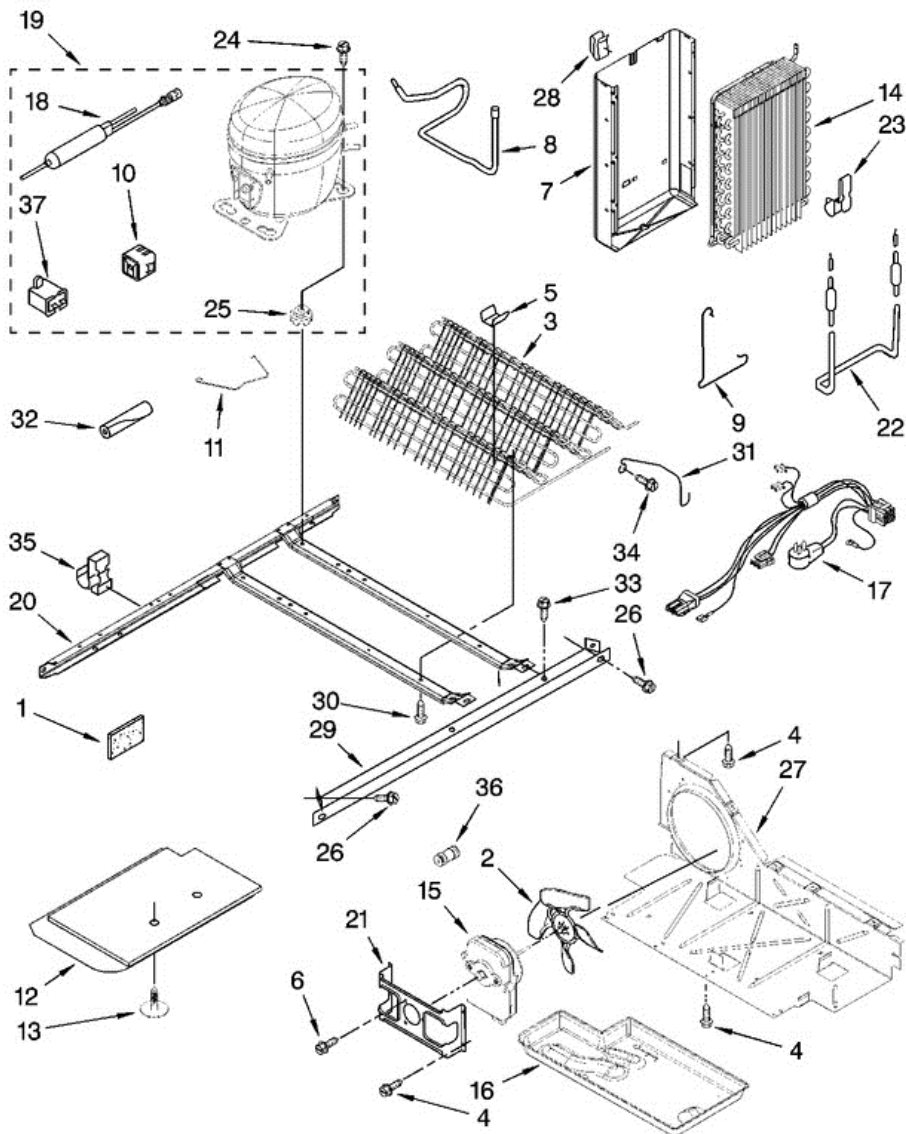
1		HOUSING DISPENSER (NOT SERVICED)
2	3196537	SCREW
3	2194719	RETAINER, LEVERS
4	2304772	SPRING, TORSION
5	2196195	PIN
6	2180353	DOOR, ICE
7	2304355	DOOR MECHANISM ASSEMBLY
8	2205686	MECHANISM DELAY
9	2207048AP	GRILLE, OVERFLOW (APOLLO GREY)
10	2304317	WATER FITTING ASSEMBLY (INCLUDES WATER TUBE)
11	2255431AP	LEVER, ICE DISPENSER (APOLLO GREY)
12	2180224	GUIDE, ICE
13	W10133716	BRACKET, CONTROL
14	2255432AP	LEVER, WATER DISPENSER (APOLLO GREY)
15		OVERLAY, FRONT (NOT AVAILABLE ORDER 19)
16		LED DISPLAY
17		FRONT COVER, (NOT AVAILABLE, ORDER 19)
18	489000	SCREW
19	W10129914	FRONT COVER ASSY (INCLUDES ITEMS 15, 16 & 17)
20	2252127	SLEEVE, DELAY MECHANISM
21	2195051	STRAIN RELIEF
22	2304673	BRACKET, DISPENSER

Distribuidor Autorizado

SurteRápido.com

Venta de Refacciones
Electrodomesticas

7GS2FHAXTA02 UNIT



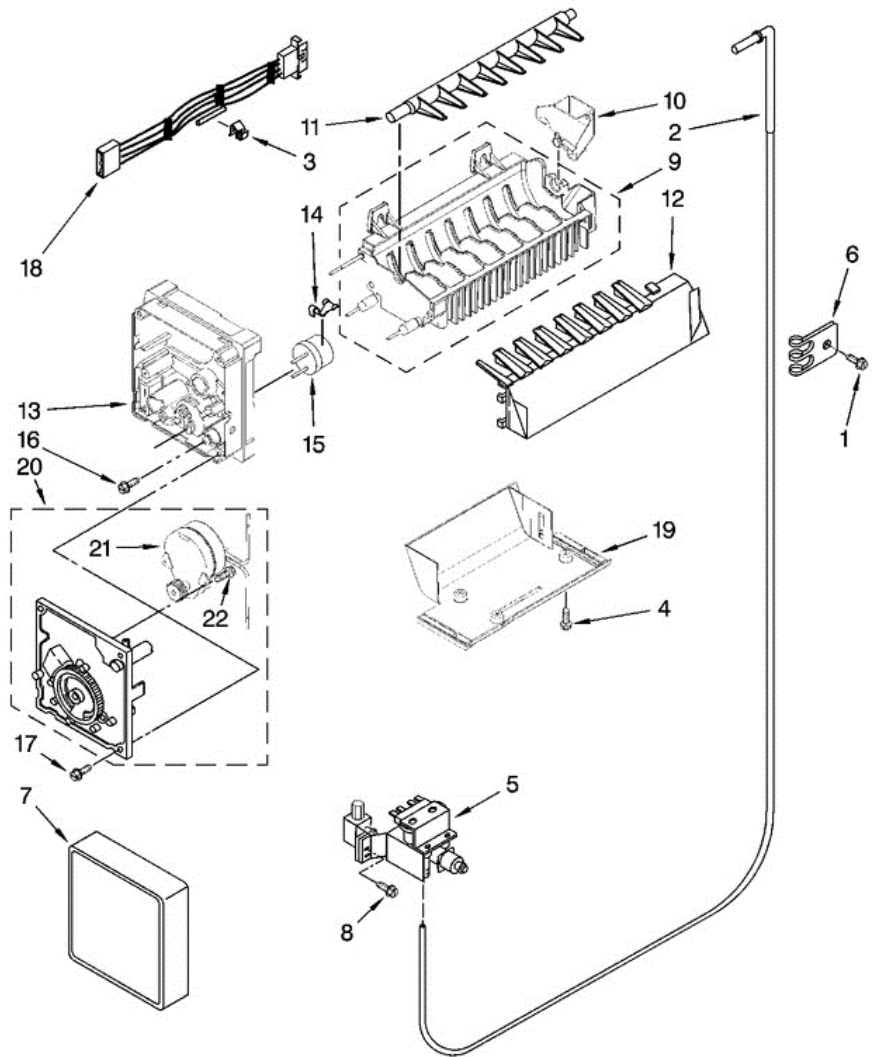


7GS2FHAXTA02 UNIT

1	2169104	INSULATION, SOUND DAMPENING
2	2225834	FAN, BLADE
3	W10121484	CONDENSER ASSEMBLY
4	489464	SCREW
5	2216914	CLIP, CONDENSER
6	8533993	SCREW
7	2217195	HEAT SHIELD AND DRAIN PAN (INCLUDES 23)
8	2205764	TUBE SUCTION
9	2161324	CLIP, DEFROST HEATER
10	2320152	START-DEVICE, COMBINATION
11	2223313	CLIP, RETAINING
12	2304898	UNIT COVER, BOTTOM
13	489396	CLIP
14	2188822	EVAPORATOR
15	2188874	MOTOR, FAN
16	1105523	TRAY, EVAPORATOR
17	2187605	HARNESS, UNIT
18	2317845	DRIER (SERVICE)
18	W10177049	DRIER (PRODUCTION)
19	W10120458	COMPRESSOR (INCLUDES ITEMS 10, 18, 25, & 37)
20	2304903	FRAME, UNIT MOUNTING
21	2181929	BRACKET, FAN MOTOR
22	2323197	HEATER, DEFROST
23	2304287	CLIP
24	489373	SCREW
25	1100826	GROMMET (4) (PRODUCTION)
25	4387558	GROMMET (4) (SERVICE)
26	489340	SCREW
27	2196202	AIR BAFFLE
28	2155547	CLIP, HEAT
29	2149718	UNIT MOUNTING RAIL
30	8281232	SCREW
31	2260516	GUARD, FAN

32	2161302	SLEEVE
33	489427	SCREW
34	489478	SCREW
35	2208280	CLIP, WIRE & TUBE
36	2320322	CONNECTOR, WATER TUBE
37	2264017	CAPACITOR (SERVICE)

7GS2FHAXTA02 ICE MAKER

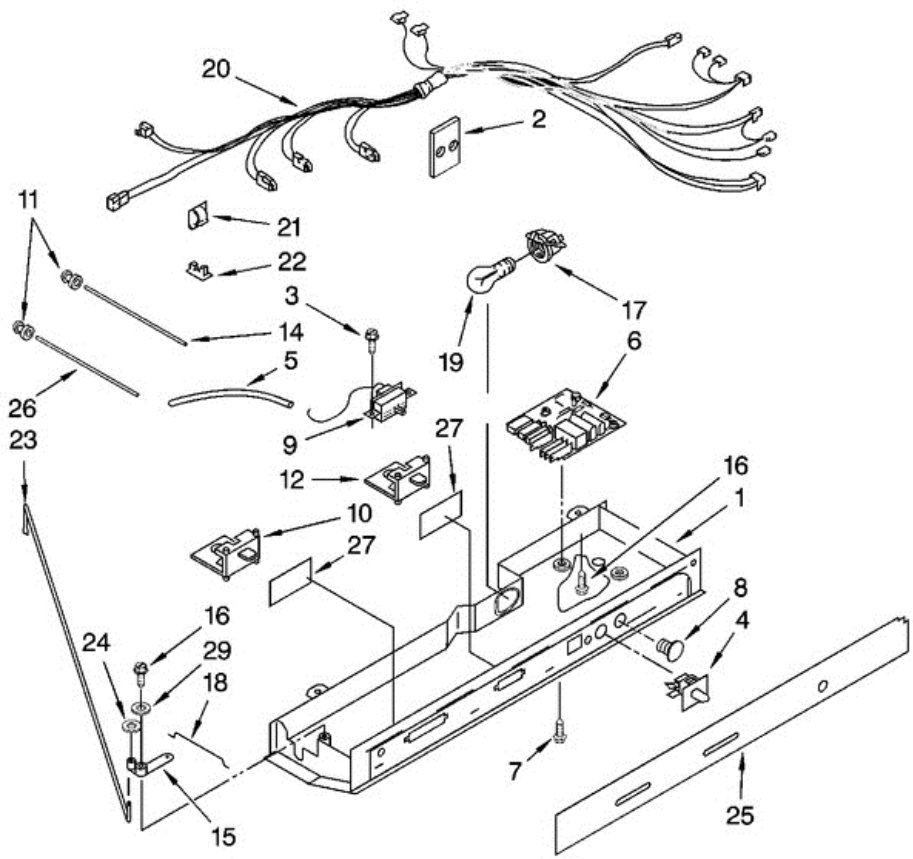




7GS2FHAXTA02 ICE MAKER

1	489084	SCREW
2	W10140630	FITTING/WATER TUBE
3	628379	CLIP, FUSE
4	489478	SCREW
5	2188709	FILTER VALVE ASM
6	2208136	CLIP, TUBE
7	2174358	COVER
8	488649	SCREW
9	W10122550	MOLD & HEATER ASSEMBLY
10	2304969	CUP, WATER FILL
11	626753	EJECTOR
12	2212318	ICE STRIPER
13	2194712	SUPPORT
14	2315522	RETAINER THERMOSTAT
15	628397	THERMOSTAT
16	8533917	SCREW
17	489276	SCREW
18	2187484	HARNESS, WIRING
19	W10131253	BRACKET, ICEMAKER MOUNTING
20	8201515	MODULE ASSEMBLY (INCLUDES ITEMS 21 & 22)
21		MOTOR (NOT SERVICED, ORDER 20)
22	489136	SCREW
100	W10122503	COMPLETE ICEMAKER ASSEMBLY

7GS2FHAXTA02 CONTROL

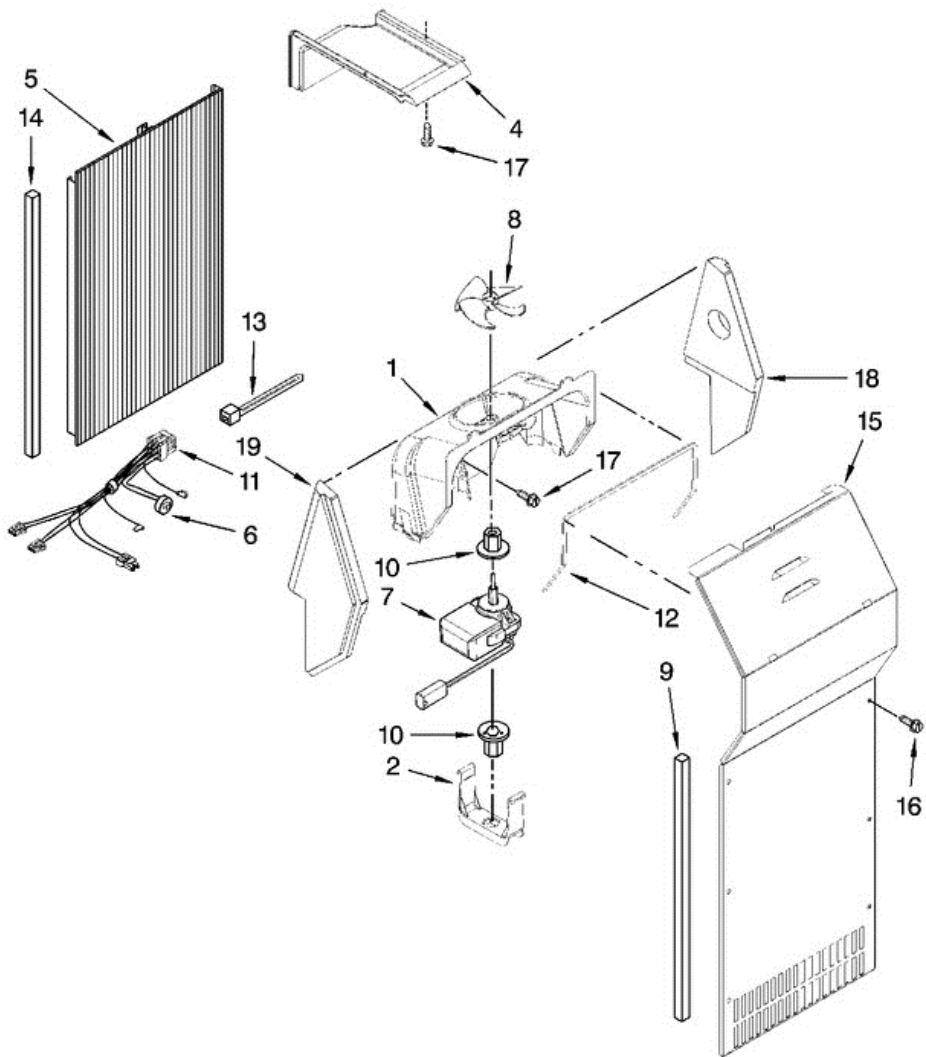




7GS2FHAXTA02 CONTROL

1	2181738	CONTROL BOX
2	2172931	HEAT SHIELD
3	3196537	SCREW (4)
4	2149705	LIGHT SWITCH
5	2196001	TUBE BARRIER
6	2303824	ELECTRONIC CONTROL
7	489398	SCREW (2)
8	940014	HOLE PLUG
9	2315562	THERMOSTAT ASSEMBLY
10	2181741	SLIDE, AIR CONTROL
11	2172906	GROMMET
12	2161466	SLIDE, THERMOSTAT
14	2179920	LIGHT BAR (RC)
15	2161306	PIVOT ARM
16	627068	SCREW
17	2162085	LIGHT SOCKET
18	2161307	CONNECTING ROD (SHORT)
19	2255743	LIGHT BULB
20	2310533	CONTROL BOX HARNESS
21	1115374	CLIP, WIRING
22	1115375	CLIP-WIRING
23	2161308	CONNECTING ROD
24	489391	FASTENER, PUSH-ON
25	W10124119	ESCUTCHEON, CONTROL BOX
26	2179921	LIGHT BAR (FC)
27	2175513	WINDOW
29	489203	SPRING WASHER

7GS2FHAXTA02 AIR FLOW





7GS2FHAXTA02 AIR FLOW

1	2182119	FAN SCROLL
2	2155590	RETAINER, FAN MOTOR
4	2313359	AIR DUCT, UPPER
5	2212313	AIR DUCT FREEZER
6	2321799	BI-METAL, DEFROST
7	2315549	FAN MOTOR
8	2169142	FAN BLADE
9	2304241	GASKET, EVAPORATOR COVER (2)
10	2176759	FAN GROMMET (2)
11	W10129815	HARNES, FAN EVAPORATOR (INCLUDES 6)
12	2155788	GASKET, FAN SCROLL
13	2172840	WIRE TIE
14	2203875	GASKET
15	2304908	COVER, EVAPORATOR (INCLUDES 9)
16	8281159	SCREW (6)
17	489478	SCREW
18	2203595	SUPPORT, R.S
19	2203596	SUPPORT, L.S