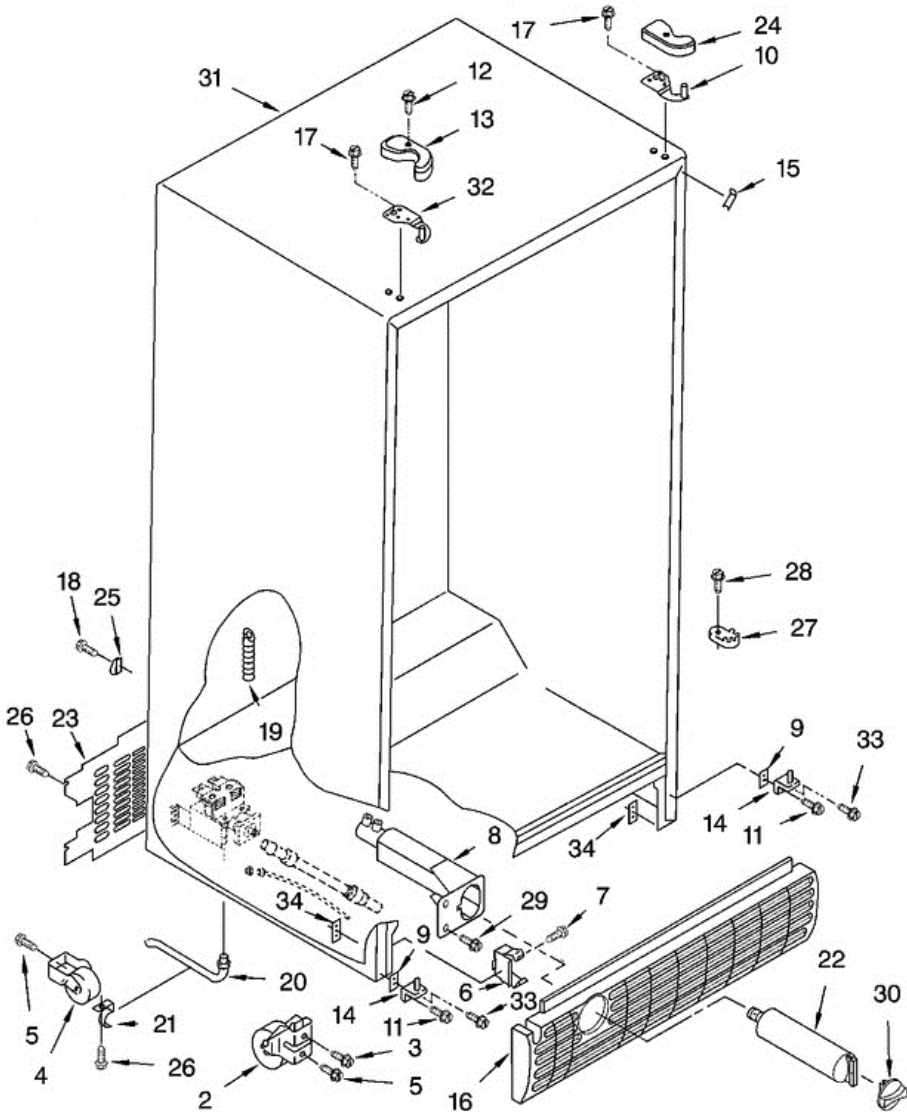


7GS2SHEXMQ00 CABINET



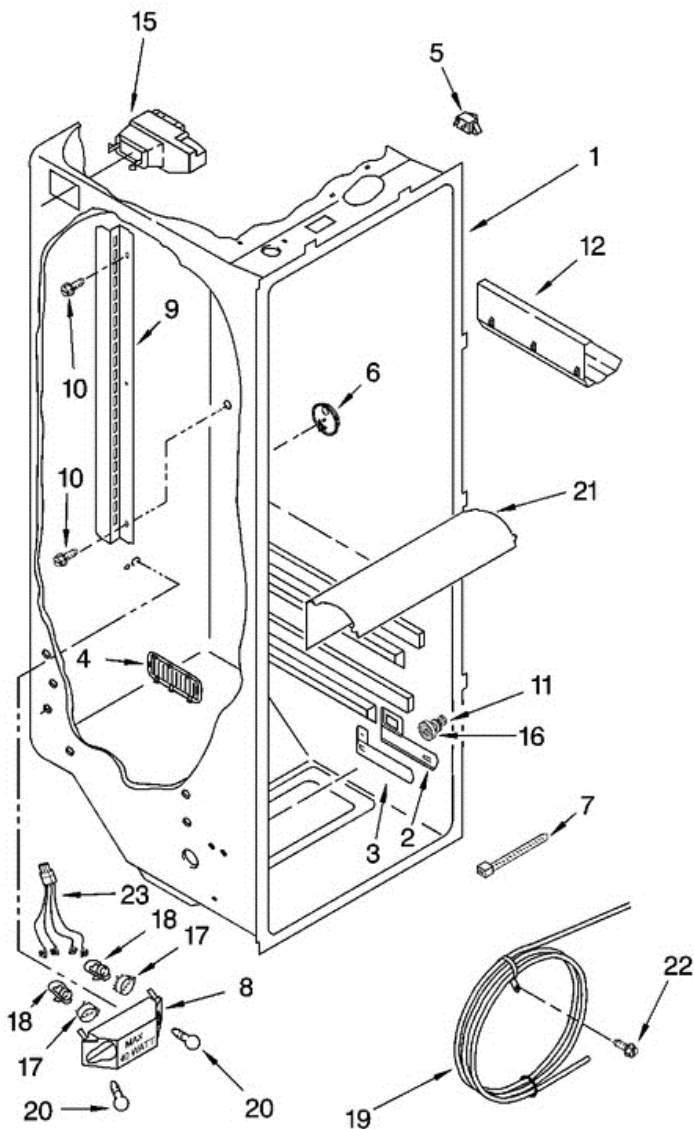


7GS2SHEXMQ00 CABINET

2	2174748	FRONT ROLLER (2)
3	3400517	SCREW
4	2196236	ROLLER (REAR) (2)
5	489427	SCREW
6	2155013	CLIP, GRILLE
7	488500	SCREW
8	2186443	HOUSING, WATER FILTER
9	2209697	SHIM
10	2203771	HINGE, TOP (RC)
11	3400113	SCREW
12	8281227	SCREW
13	2203407B	HINGE COVER (BLACK)
13	2203407W	HINGE COVER (WHITE)
14	2217075	HINGE BOTTOM (2)
15	2196094	FILLER, WRAPPER (WHITE)
15	2196097	FILLER, WRAPPER (BLACK)
16	2198467B	GRILLE (BLACK)
16	2198467W	GRILLE (WHITE)
17	489497	SCREW
18	488687	SCREW
19	940139	DRAIN FITTING
20	1108438	TUBE, EXTENSION
21	1108439	CLIP, DRAIN TUBE
22	2255519	WATER FILTER
23	2188737	COVER, UNIT
24	2203408B	HINGE COVER (BLACK)
24	2203408W	HINGE COVER (WHITE)
25	489348	CLAMP, SERVICE CORD
26	489084	SCREW
27	2155311	DOOR CLOSER, LOWER CAM (2)
28	489483	SCREW
29	489500	SCREW
30	2186494B	CAP, WATER FILTER (BLACK)

30	2186494W	CAP, WATER FILTER (WHITE)
31	N/A	CABINET (NOT A SERVICEABLE PART)
32	2203770	HINGE, TOP (FC)
33	3400103	SCREW
34	2203098	PLATE, SCREW

7GS2SHEXMQ00 REFRIGERATOR LINER

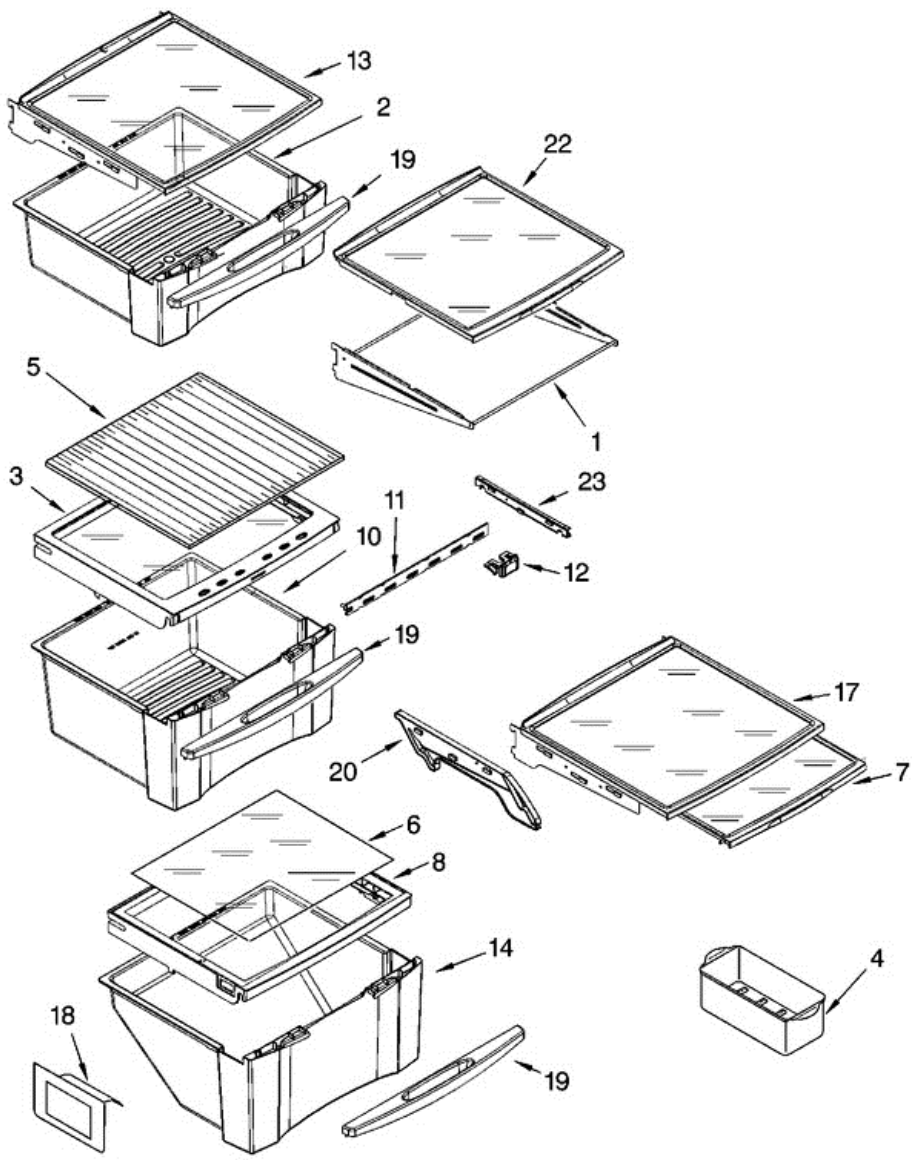




7GS2SHEXMQ00 REFRIGERATOR LINER

1	N/A	LINER (NOT A SERVICEABLE PART)
2	2194744	ESCUTCHEON, MEAT PAN CONTROL
3	2182757	SLIDE MEAT PAN CONTROL
4	2182147	LOUVER
5	1118894	SWITCH, ROCKER ARM
6	2255427	DOOR CONTROL ASM
7	2205813	STRAP
8	2256035	BRACKET, DUAL CRISPER
9	2206270	SHELF LADDER
10	487539	SCREW
11	3400894	SCREW
12	2179404	RACK, WINE & EGG
15	2209753	AIR DIFFUSER ASSEMBLY
16	2196485	STUD ASSEMBLY
17	2169193	SHROUD, LIGHT
18	2162085	SOCKET
19	2256126	RESERVOIR
20	2255743	LIGHT BULB
21	2209769	LIGHT LENS
22	488280	SCREW
23	2256037	WIRE HARNESS, DUAL CRISPER

**7GS2SHEXMQ00 REFRIGERATOR
 SHELF**

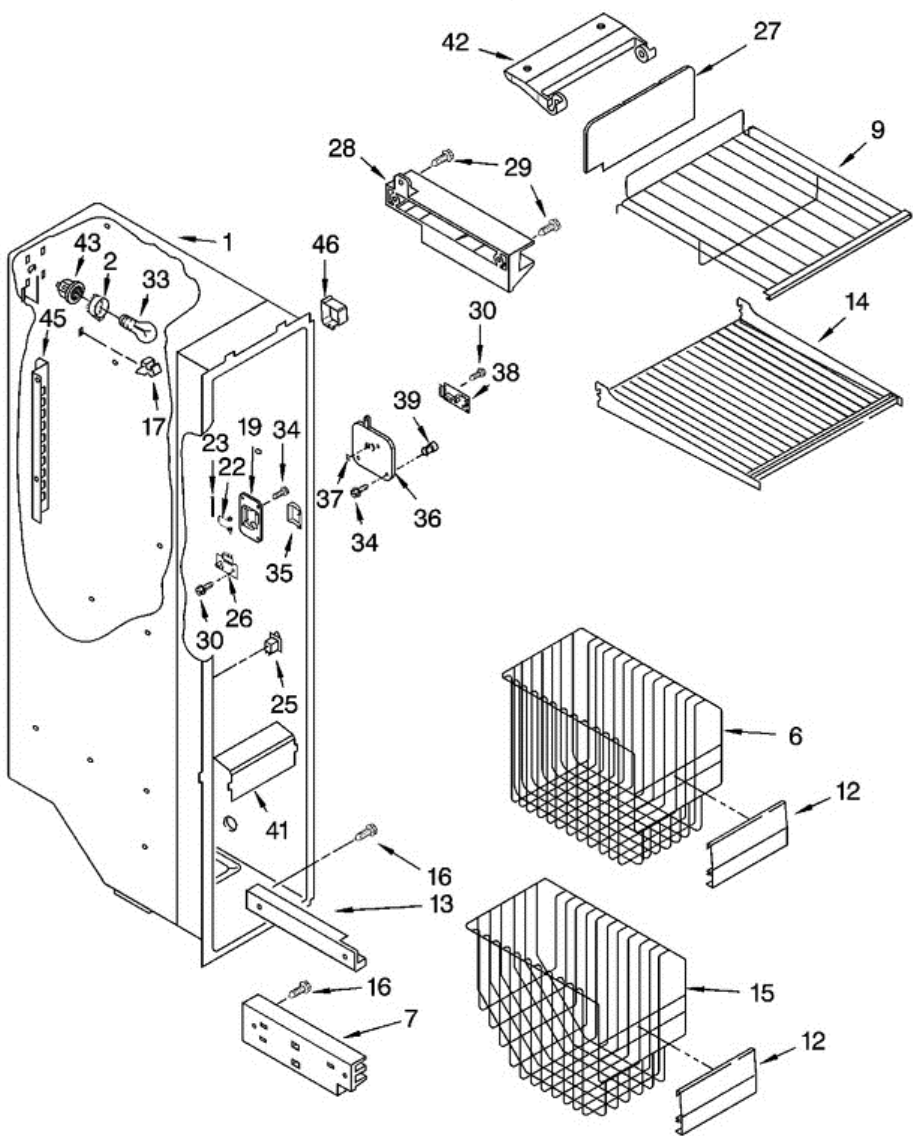




7GS2SHEXMQ00 REFRIGERATOR SHELF

1	2223517	FRAME ASSEMBLY, GLASS SLIDING (2)
2	2223261	SNACK BIN ASM
3	2223592	COVER, CRISPER
4	2216624	EGG BIN ASSEMBLY
5	2223591	GLASS, COVER
6	2223714	GLASS, COVER
7	2223426	SHELF, DROP DOWN
8	2223242	COVER, MEAT PAN
10	2223235	CRISPER PAN ASM
11	2223308	SLIDE, HUMIDITY CONTROL
12	2223309	KNOB, HUMIDITY CONTROL
13	2223288	SHELF PAN ASM.
14	2223243	MEAT PAN ASM
17	2223637	SHELF ASSEMBLY, DROP DOWN (INCLUDES 7 & 20)
18	2179350	DEFLECTOR
20	2223427	TRACK, SHELF (RIGHT SIDE)
20	2223428	TRACK, SHELF (LEFT SIDE)
22	2255160	SHELF, SLIDE OUT
23	2223320	SLIDE, PAN

7GS2SHEXMQ00 FREEZER LINER



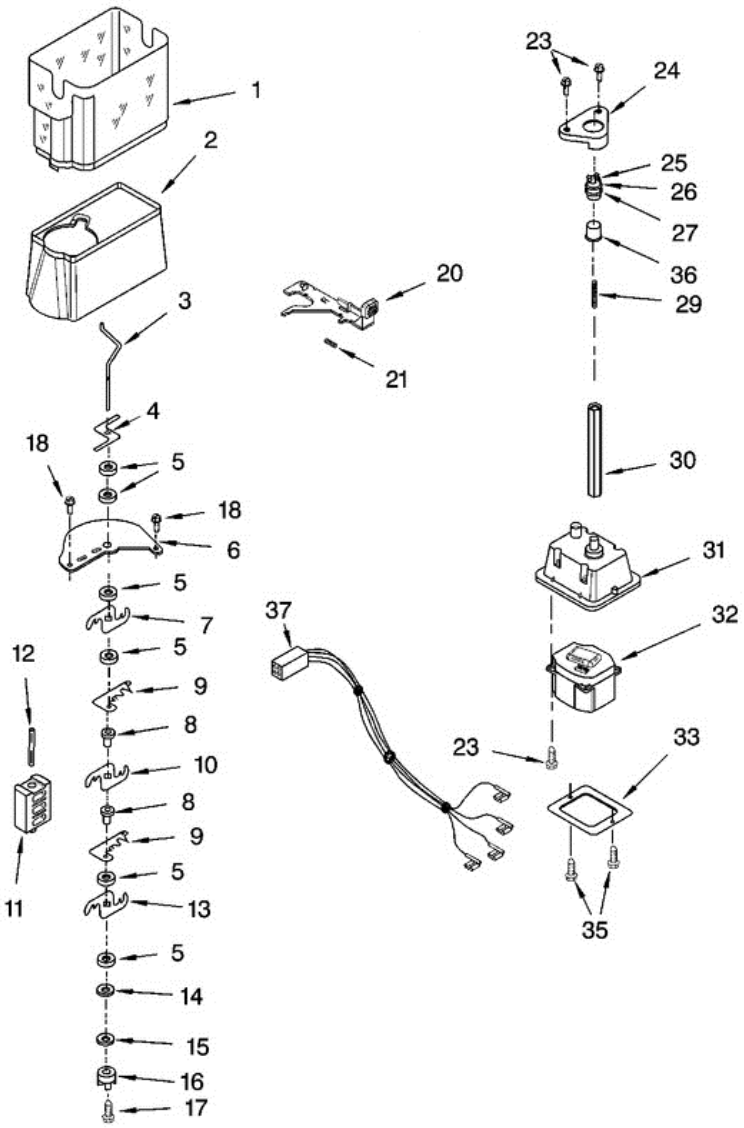


7GS2SHEXMQ00 FREEZER LINER

1	N/A	LINER (NOT A SEVICEABLE PART)
2	2167012	SHROUD, LIGHT
6	2223582	BASKET, TALL
7	2223706	TRACK, BASKET-DUAL (RIGHT SIDE)
7	2223707	TRACK, BASKET-DUAL (LEFT SIDE)
9	2211743	SHELF, SLIDE OUT UPPER
12	2195904	BASKET, FRONT
13	2261448	SHELF TRACK (LEFT SIDE)
13	2261449	SHELF TRACK (RIGHT SIDE)
14	2212343	SHELF
15	2223278	BASKET, SLOPED
16	486298	SCREW
17	842534	CLIP, AIR DUCT
19	2255572	COVER, EMITTER
22	2198635	SPRING
23	2198634	PIN
25	1115373	SWITCH, ROCKER ARM
26	2220398	P.C. BOARD EMITTER
27	2255589	COVER, ICEMAKER
28	2212321	SLIDE, ICE MAKER MOUNTING
29	489478	SCREW
30	489214	SCREW
33	2255743	LIGHT BULB
34	8281185	SCREW
35	2198633	FLIPPER
36	2255558	COVER, RECEIVER
37	2255562	SLIDE, ICE MAKER SHUT OFF
38	2255114	P.C. BOARD, RECEIVER
39	2198643	LENS
41	2212376	LIGHT LENS
42	2198641	BRACKET, ICEMAKER COVER
43	2155597	SOCKET, LIGHT
45	2212315	LADDER (LEFT SIDE)

45	2212316	LADDER (RIGHT SIDE)
46	2219878	SHIELD, WIRING

**7GS2SHEXMQ00 MOTOR AND ICE
 CONTAINER**

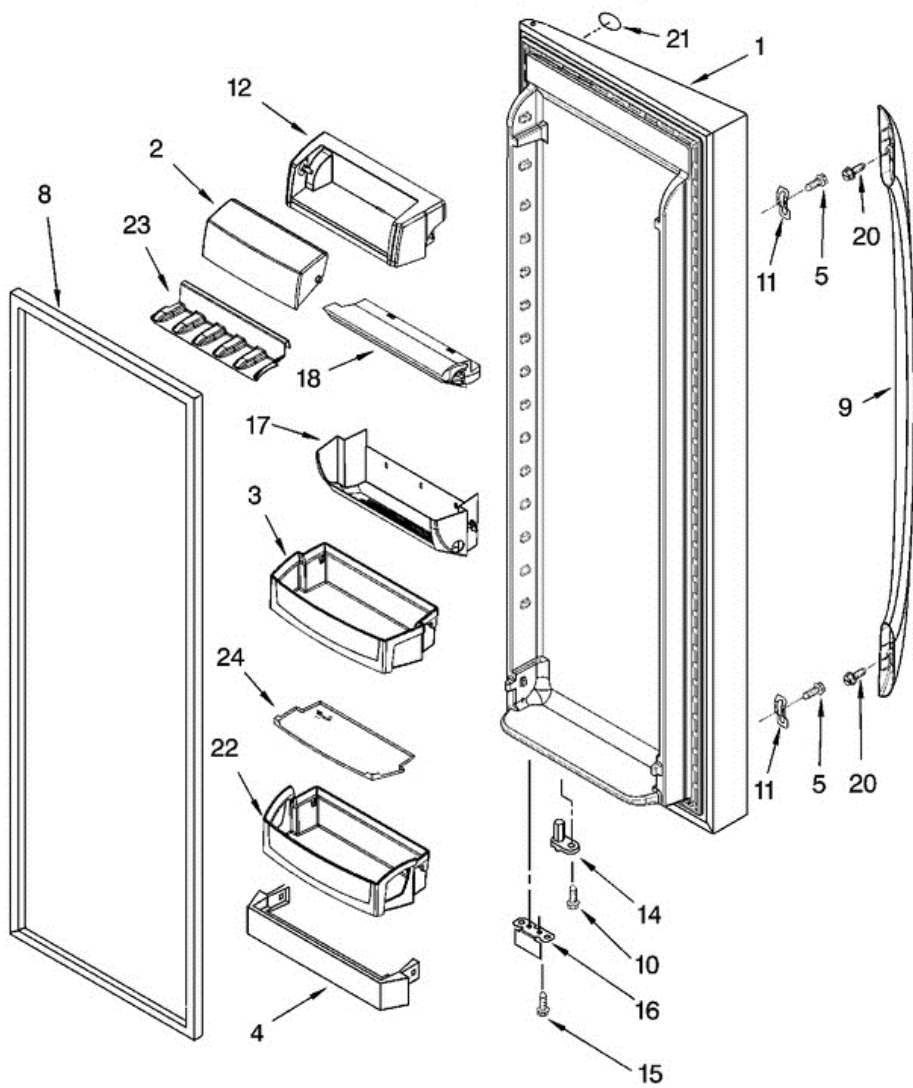




7GS2SHEXMQ00 MOTOR AND ICE CONTAINER

1	2212302	ICE BIN
2	2255577	CRUSHER BIN
3	2212342	AUGER
4	2212382	BLADE, STIRRING
5	1119007	SPACER, FLAT (6)
6	2255461	COVER, CRUSHER
7	1119013	BLADE, ROTARY
8	1119005	SPACER, STEP (2)
9	2198601	BLADE, FIXED
10	1119012	BLADE, ROTARY
11	2198602	BLOCK, BLADE
12	489229	ROLL PIN
13	1119006	BLADE, ROTARY
14	489235	WASHER, PLAIN
15	2198661	WASHER, COUPLING
16	2220457	COUPLING
17	8281164	SCREW
18	3400065	SCREW
20	2255578	LATCH, BIN
21	2198608	SPRING, LATCH
23	8281163	SCREW
24	2212369	HOLDER
25	2220458	COUPLING, BOTTOM
26	2198628	SEAL
27	2212370	WASHER
29	2198607	SPRING
30	999536	DRIVE SHAFT
31	2256154	BRACKET, MOTOR
32	2252130	DISPENSER, MOTOR
33	2212305	COVER
35	489478	SCREW
36	2212365	SLEEVE, COUPLING
37	2187725	WIRE HARNESS, IDI MOTOR

7GS2SHEXMQ00 REFRIGERATOR DOOR

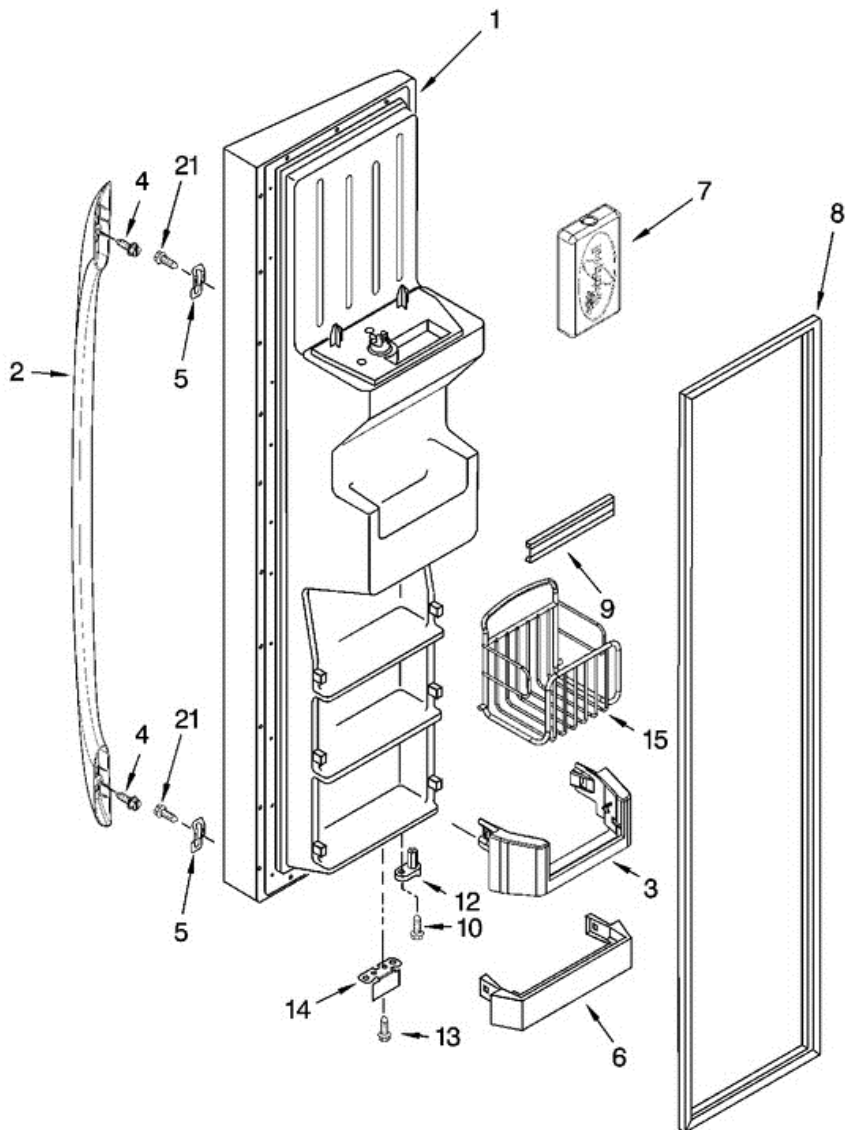




7GS2SHEXMQ00 REFRIGERATOR DOOR

1	2255533SB	REFRIGERATOR DOOR (STAINLESS)
1	2255533W	REFRIGERATOR DOOR (WHITE)
2	2255421	DAIRY DOOR
3	2223239	DOOR BIN (2)
4	2223727	TRIVET
5	489491	SCREW (4)
8	2221300	DOOR GASKET, MAGNETIC (MIST BEIGE)
8	2221311	DOOR GASKET, MAGNETIC (BLACK)
9	2255517B	HANDLE (BLACK)
9	2255517W	HANDLE (WHITE)
10	3400012	SCREW
11	2255411	CLIP (2)
12	2255420	DOOR COMPARTMENT
14	2182178	DOOR CLOSER, UPPER CAM
15	489420	SCREW
16	2200082	BRACKET, DOOR STOP (CHROME)
16	2200082B	BRACKET, DOOR STOP (BLACK)
17	2255422	FRAME, CAN RACK
18	2255424	AIR DIFFUSER ASM
20	8533920	SCREW
21	2220214	NAMEPLATE
22	2223463	DOOR BIN
23	2255423	FLOOR, CAN RACK
24	2223464	MAT, BIN

7GS2SHEXMQ00 FREEZER DOOR

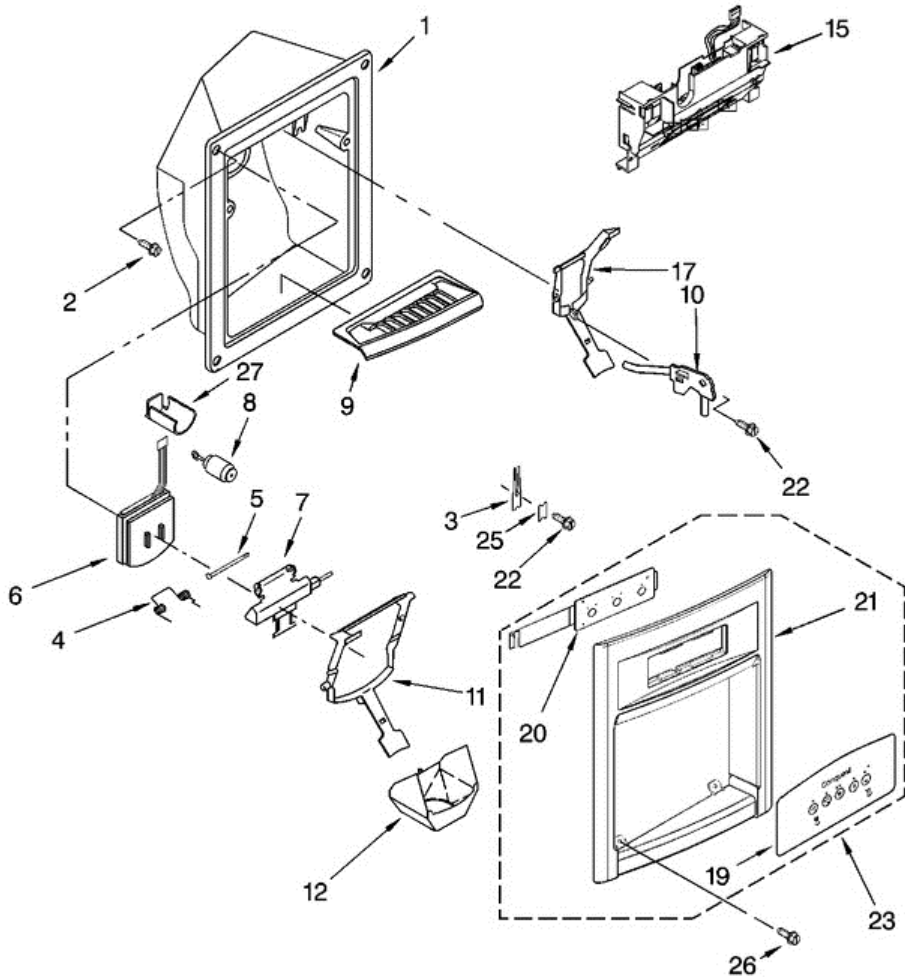




7GS2SHEXMQ00 FREEZER DOOR

1	2255933SB	FREEZER DOOR
1	2255933W	FREEZER DOOR
2	2255517B	HANDLE (BLACK)
2	2255517W	HANDLE (WHITE)
3	2223472	TRIVET, TILT OUT (2)
4	8533920	SCREW
5	2255411	CLIP (2)
6	2156021	TRIVET
7	2255493	BOTTLE, ICE PACK
8	2221301	DOOR GASKET, MAGNETIC (MIST BEIGE)
8	2221312	DOOR GASKET, MAGNETIC (BLACK)
9	2212375	TRIM, DOOR SHELF
10	3400012	SCREW
12	2182179	DOOR CLOSER, UPPER CAM
13	489420	SCREW
14	2200082	BRACKET, DOOR STOP (CHROME)
14	2200082B	BRACKET, DOOR STOP (BLACK)
15	2223473	BASKET, TILT OUT (2)
21	489491	SCREW (4)

7GS2SHEXMQ00 DISPENSER FRONT





7GS2SHEXMQ00 DISPENSER FRONT

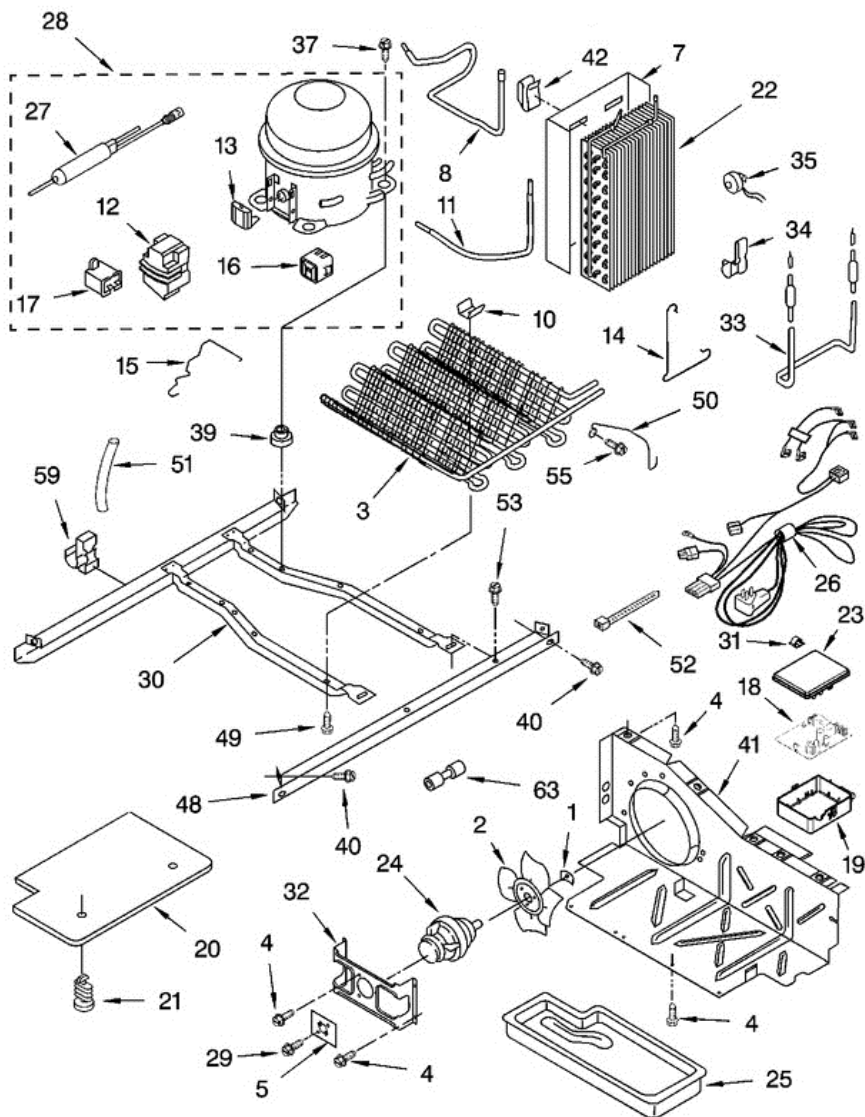
1	N/A	HOUSING, DISPENSER (NOT SERVICED)
2	3196537	SCREW
3	2194719	RETAINER, LEVERS
4	2180209	SPRING, TORSION
5	2196195	PIN
6	2252076	DOOR, ICE
7	2206423	DOOR MECHANISM ASSEMBLY
8	2205686	MECHANISM DELAY
9	2207048B	GRILLE, OVERFLOW (BLACK)
9	2207048W	GRILLE, OVERFLOW (WHITE)
10	2209718	WATER FITTING ASSEMBLY (INCLUDES WATER TUBE)
11	2255431B	LEVER, ICE DISPENSER (BLACK)
11	2255431W	LEVER, ICE DISPENSER (WHITE)
12	2180224	GUIDE, ICE
15	2252050	BRACKET, CONTROL
17	2255432B	LEVER, WATER DISPENSER (BLACK)
17	2255432W	LEVER, WATER DISPENSER (WHITE)
19		OVERLAY, FRONT COVER (ORDER 23)
20		LED DISPLAY WITH AUTO NIGHT LIGHT (ORDER 23)
21		FRONT COVER, HOUSING (ORDER 23)
22	489000	SCREW
23	2252079B	FRONT COVER ASSEMBLY (INCLUDES ITEMS 19,20 & 21) (BLACK)
23	2252079W	FRONT COVER ASSEMBLY (INCLUDES ITEMS 19,20 & 21) (WHITE)
25	2195051	STRAIN RELIEF
26	3400065	SCREW
27	2252127	SLEEVE, MECHANISM DISPLAY

Distribuidor Autorizado

SurteRápido.com

Venta de Refacciones
Electrodomesticas

7GS2SHEXMQ00 UNIT



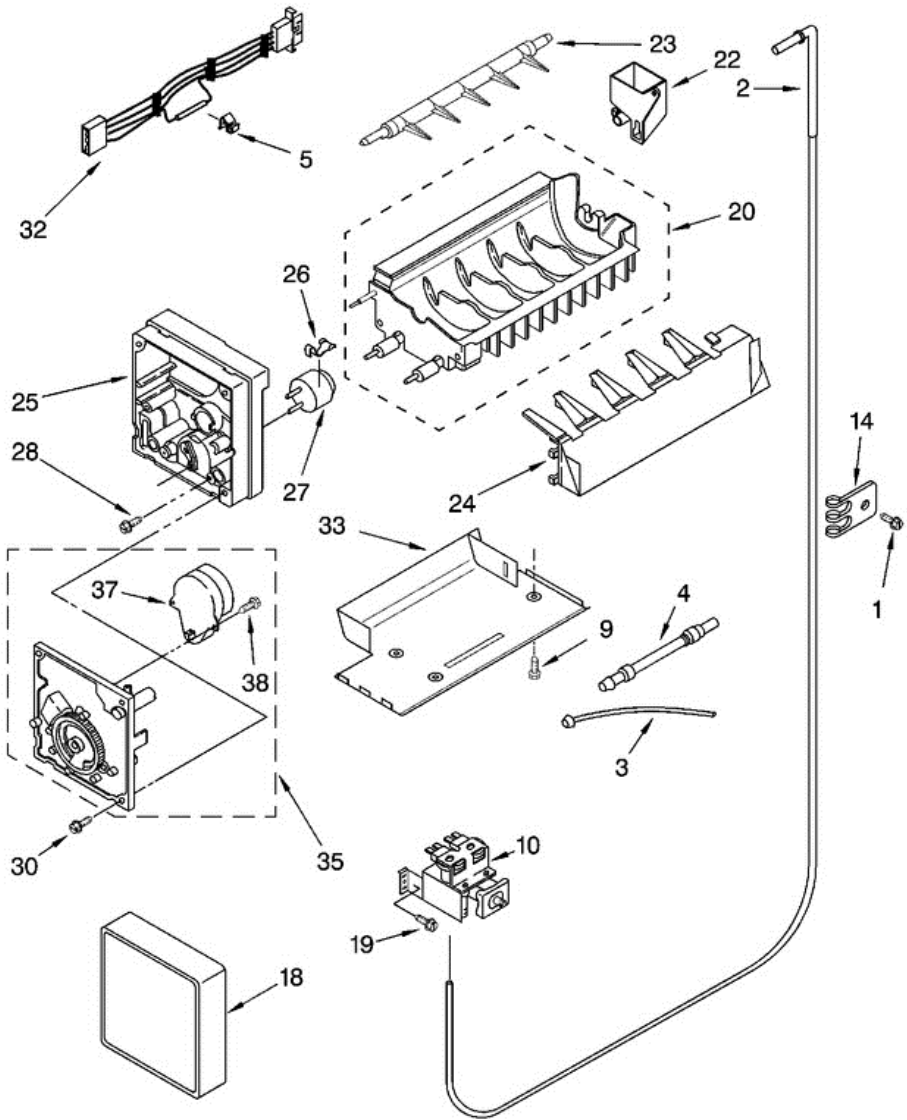


7GS2SHEXMQ00 UNIT

1	486692	SPEED NUT
2	2190685	FAN, BLADE
3	2204484	CONDENSER ASSEMBLY
4	489464	SCREW
5	2216997	INSERT, BRACKET
7	2256149	HEAT SHIELD AND DRAIN PAN
8	2205764	TUBE SUCTION
10	2216914	CLIP, CONDENSER
11	2255798	TUBE, CONDENSER TO HEAT LOOP
12	4387731	COVER (SERVICE COMPRESSOR ONLY)
13	4387767	OVERLOAD
14	2161324	CLIP, DEFROST HEATER
15	2255199	CLIP, RETAINING
16	2255554	START-DEVICE, COMBINATION
17	999532	CAPACITOR (PRODUCTION 4387764 (SERVICE))
18	2255239	ELECTRONIC CONTROL
19	2255623	CONTROL BOX
20	2182057	UNIT COVER, BOTTOM
21	489396	CLIP
22	2164518	EVAPORATOR
23	2255624	COVER
24	2206005	MOTOR, FAN
25	1105523	TRAY, EVAPORATOR
26	2187740	HARNESS, WIRE
27	2199167	DRIER
28	2255455	COMPRESSOR (INCLUDES ITEMS 12, 13, 17 & 27)
29	8281160	SCREW
30	2160501	FRAME, UNIT MOUNTING
31	1115374	CLIP, WIRING
32	2181929	BRACKET, FAN MOTOR
33	2188174	HEATER, DEFROST
34	2161330	CLIP
35	2196155	BI-METAL, DEFROST

37	489373	SCREW
39	1100826	GROMMET (4) (PRODUCTION)
39	4387558	GROMMET (4) (SERVICE)
40	489340	SCREW
41	2196202	AIR BAFFLE
42	2155547	CLIP, HEAT
48	2149718	UNIT MOUNTING RAIL
49	8281232	SCREW
50	2186496	GUARD, FAN
51	2161302	SLEEVE
52	2172840	WIRE TIE
53	489427	SCREW
55	489478	SCREW
59	2261316	CLIP, WIRE & TUBE
63	2209709	CONNECTOR, WATER TUBE
63	876764	VALVE, ACCESS (3/16``)
63	978025	VALVE, ACCESS (1/4``)
63	978026	VALVE, ACCESS (5/16``)
63	978027	VALVE, ACCESS (3/8``)
63	978028	VALVE, ACCESS (1/2``)
63	978029	VALVE, ACCESS (5/8``)
63	978030	VALVE, ACCESS (3/4``)
63	N/A	FOLLOWING PARTS NOT ILLUSTRATED
63	N/A	AND OPTIONAL PARTS NOT INCLUDED
63	N/A	REFRIGERANT CHARGE 5.0 OZ. (R-134)

7GS2SHEXMQ00 ICE MAKER

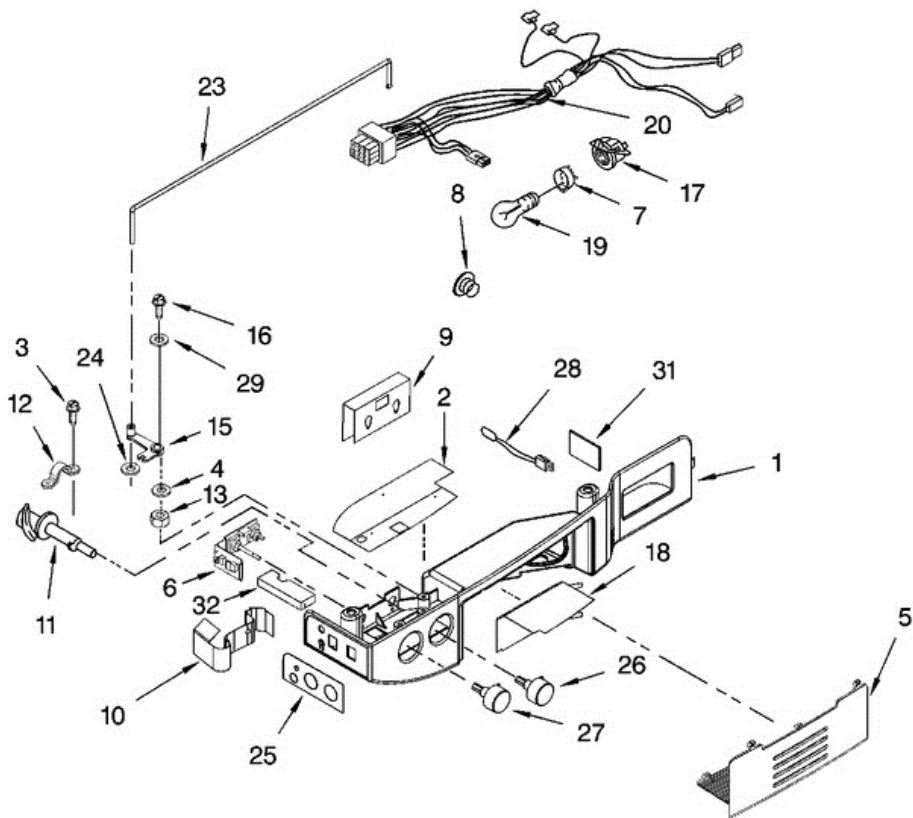




7GS2SHEXMQ00 ICE MAKER

1	489084	SCREW
2	2256095	FITTING, WATER TUBE
3	2255012	TUBE, FILTER OUTLET
4	2188744	TUBE, FILTER INLET
5	628379	CLIP, FUSE
9	489478	SCREW
10	2188709	FILTER VALVE
14	2208136	CLIP, TUBE
18	2174358	COVER
19	488649	SCREW
20	2212351	MOLD & HEATER ASSEMBLY
22	628356	CUP-WATER FILL
23	2212320	EJECTOR
24	2212318	ICE STRIPER
25	2194712	SUPPORT
26	627796	RETAINER, THERMOSTAT
27	627985	THERMOSTAT
28	8533917	SCREW
30	489276	SCREW
32	2187484	HARNESS, WIRING
33	2212317	BRACKET, ICEMAKER MOUNTING
35	628399	MODULE ASSEMBLY (INCLUDES ITEMS 37 & 38)
37	628398	MOTOR
38	489136	SCREW
100	2212352	COMPLETE ICEMAKER ASSEMBLY

7GS2SHEXMQ00 CONTROL

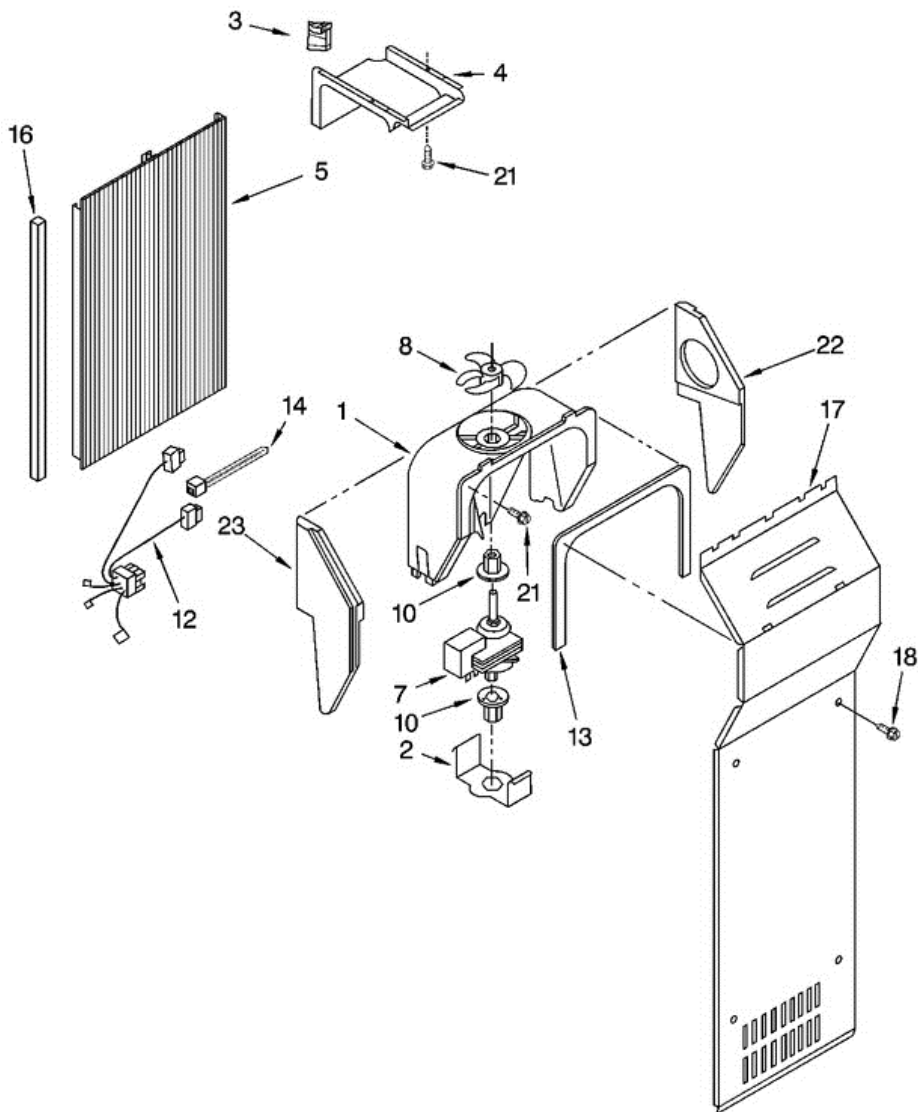




7GS2SHEXMQ00 CONTROL

1	2255222	CONTROL BOX
2	2255991	SHIELD, ELECTRICAL
3	3196537	SCREW (4)
4	3400972	WASHER
5	2255225	LENS, LIGHT
6	2255414	ELECTRONIC CONTROL
7	2169193	SHROUD, LIGHT
8	940014	HOLE PLUG
9	2261232	SHIELD, ELECTRICAL
10	2261231	SHIELD, ELECTRICAL (INTERNAL)
11	2255226	CAM ASSEMBLY
12	2255413	BEARING BODY
13	3400971	NUT, HEX
15	2255227	PIVOT ARM
16	627068	SCREW
17	2162085	LIGHT SOCKET
18	2255666	SHIELD, HEAT
19	2255743	LIGHT BULB
20	2255235	CONTROL BOX HARNESS
23	2255228	CONNECTING ROD
24	489285	FASTENER, PUSH-ON
25	2255611	ESCUTCHEON, CONTROL BOX
26	2255232	KNOB, RC
27	2255992	KNOB, FC
28	2216113	THERMISTOR
29	489203	SPRING WASHER
31	2261265	AIR SEAL, THERMISTOR
32	2261329	FOAM, SHIELD

7GS2SHEXMQ00 AIR FLOW





7GS2SHEXMQ00 AIR FLOW

1	2182119	FAN SCROLL
2	2155590	RETAINER, FAN MOTOR
3	2198595	AIR SCOOP
4	2212377	AIR DUCT, UPPER
5	2212313	AIR DUCT FREEZER
7	2162404	FAN MOTOR
8	2169142	FAN BLADE
10	2176759	FAN GROMMET (2)
12	2206504	HARNESS, FAN EVAPORATOR, AND HEATER,
13	2155788	GASKET COVER
14	2172840	WIRE TIE
16	2203875	GASKET
17	2212314	COVER, EVAPORATOR
18	489355	SCREW
21	489478	SCREW
22	2203595	SUPPORT, R.S
23	2203596	SUPPORT, L.S