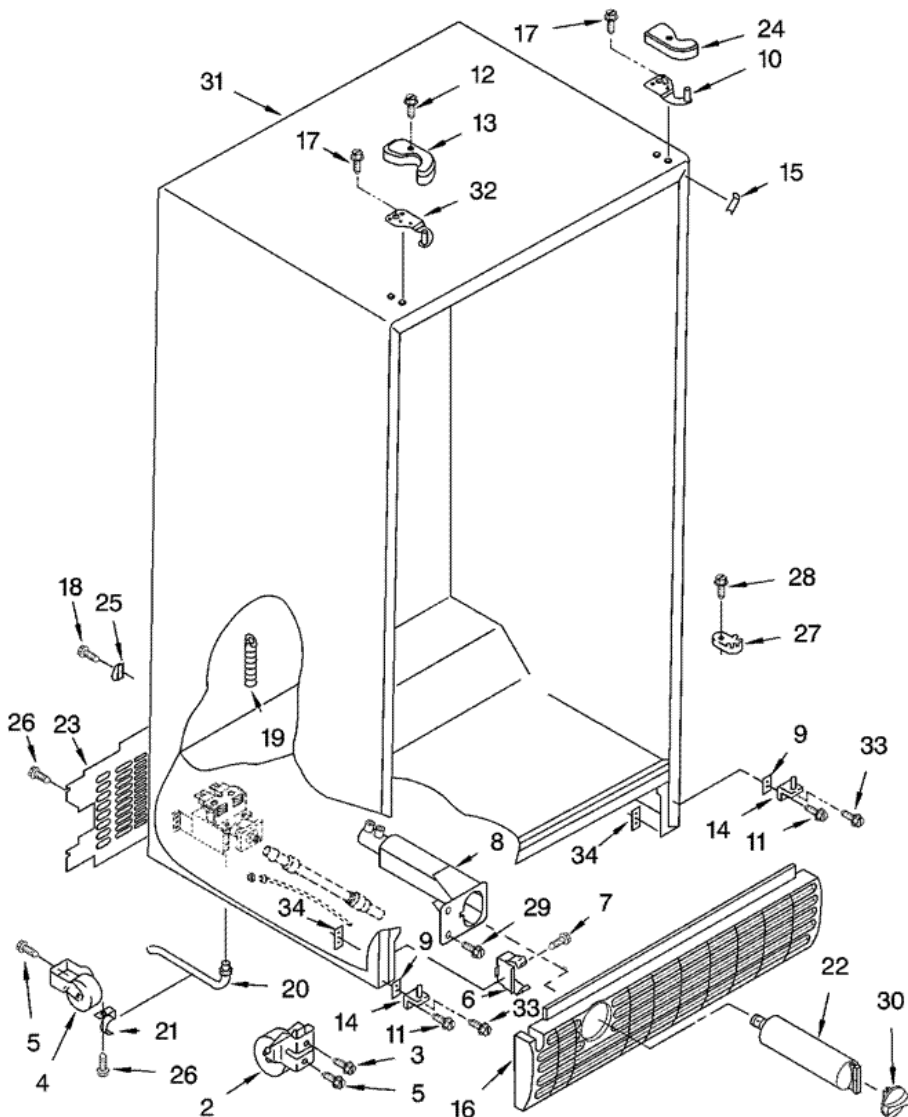


Distribuidor Autorizado

SurteRápido.com

Venta de Refacciones
Electrodomesticas

7GS2SHEXMS00 CABINET



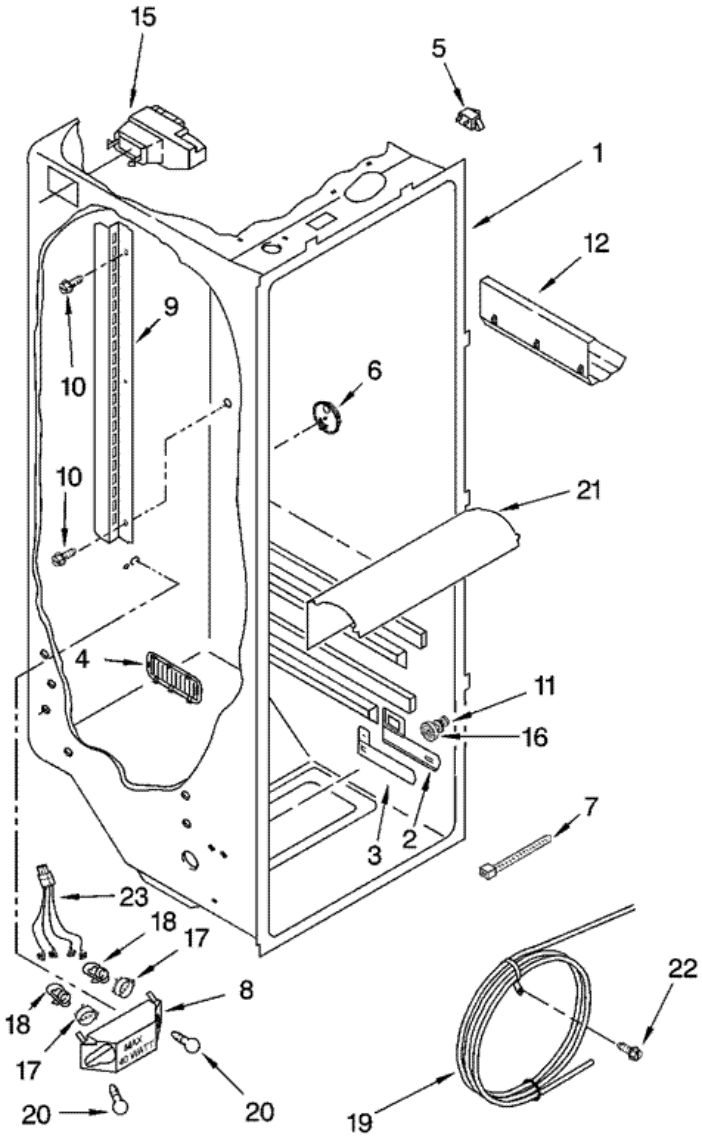


7GS2SHEXMS00 CABINET

2	4386774	FRONT ROLLER (2)
3	3400517	SCREW (S/P)
4	2196236	ROLLER (REAR) (2) (S/P)
5	489427	SCREW (S/P)
6	2155013	CLIP, GRILLE (S/P)
7	488500	SCREW (S/P)
8	2186443	HOUSING, WATER FILTER (S/P)
9	2209697	SHIM (S/P)
10	2203771	HINGE TOP (RC) (S/P)
11	3400113	SCREW (S/P)
12	8281227	SCREW (S/P)
13	2203407W	HINGE COVER (WHITE) (S/P)
13	2203407B	HINGE COVER (BLACK) (S/P)
14	8201707	HINGE BOTTOM (2) (S/P)
15	2196097	FILLER, WRAPPER (BLACK) (S/P)
15	2196094	FILLER, WRAPPER (WHITE) (S/P)
16	W10283940	GRILLE (WHITE) (S/P)
16	2198467B	GRILLE (BLACK) (S/P)
17	489497	SCREW (S/P)
18	488687	SCREW (S/P)
19	2304888	DRAIN FITTING (S/P)
20	1108438	EXTENSION TUBE (S/P)
21	1108439	CLIP, DRAIN TUBE (S/P)
22	4392857	WATER FILTER
23	2188753	COVER, UNIT (S/P)
24	2203408B	HINGE COVER (BLACK) (S/P)
24	2203408W	HINGE COVER (WHITE) (S/P)
25	596171	CLAMP, SERVICE CORD DESCONTINUADO
26	489084	SCREW (S/P)
27	2155311	DOOR CLOSER, LOWER CAM (2)
28	489483	SCREW (S/P)
29	489500	SCREW (S/P)
30	2186494B	CAP, WATER FILTER (BLACK)

30	2186494W	CAP, WATER FILTER (WHITE) (S/P)
31	*****	CABINET (NOT A SERVICEABLE PART (S/P))
32	2203770	HINGE TOP (FC) (S/P)
33	3400103	SCREW (S/P)
34	2203098	PLATE, SCREW (S/P)

7GS2SHEXMS00 REFRIGERATOR LINER





7GS2SHEXMS00 REFRIGERATOR LINER

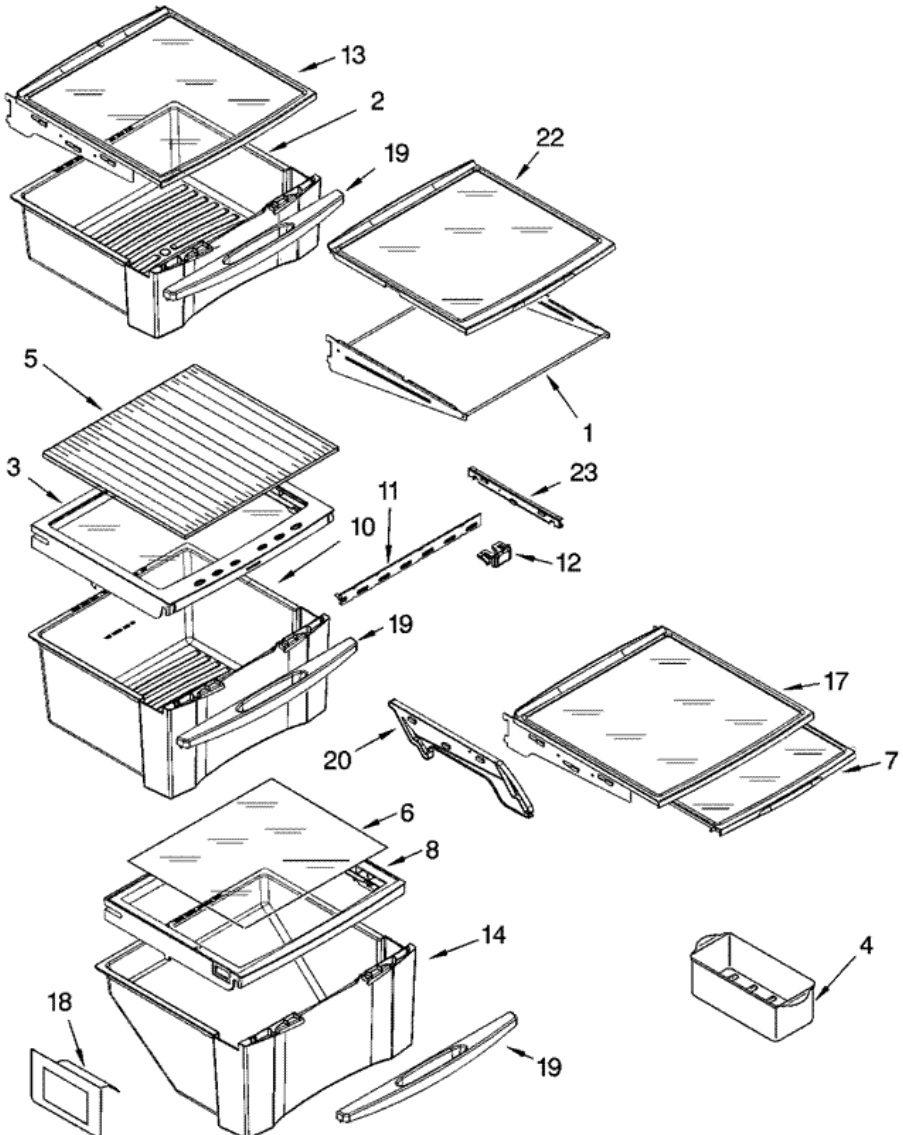
1	*****	LINER (NOT A SERVICEABLE PART)
2	2194744	ESCUTCHEON, MEAT PAN CONTROL (S/P)
3	2182757	SLIDE MEAT PAN CONTROL (S/P)
4	8201651	LOUVER (S/P)
5	1118894	SWITCH, ROCKER ARM (S/P)
6	2261601	DOOR CONTROL ASM (S/P)
7	2205813	STRAP (S/P)
8	2256035	BRACKET, DUAL CRISPER (S/P)
9	2206270	SHELF LADDER (S/P)
10	487539	SCREW (S/P)
11	3400894	SCREW (S/P)
12	2179404	RACK, WINE & EGG (S/P)
15	2209753	AIR DIFFUSER ASSEMBLY
16	2196485	STUD ASSEMBLY (S/P)
17	2175210	SHROUD, LIGHT (S/P)
18	4387478	SOCKET
19	2256126	RESERVOIR (S/P)
20	2255743	LIGHT BULB (S/P)
21	2317782	LIGHT LENS (S/P)
22	488280	SCREW (S/P)
23	2311637	WIRE HARNESS, DUAL CRISPER (S/P)

Distribuidor Autorizado

SurteRápido.com

Venta de Refacciones
Electrodomesticas

7GS2SHEXMS00 REFRIGERATOR SHELVES





7GS2SHEXMS00 REFRIGERATOR SHELVES

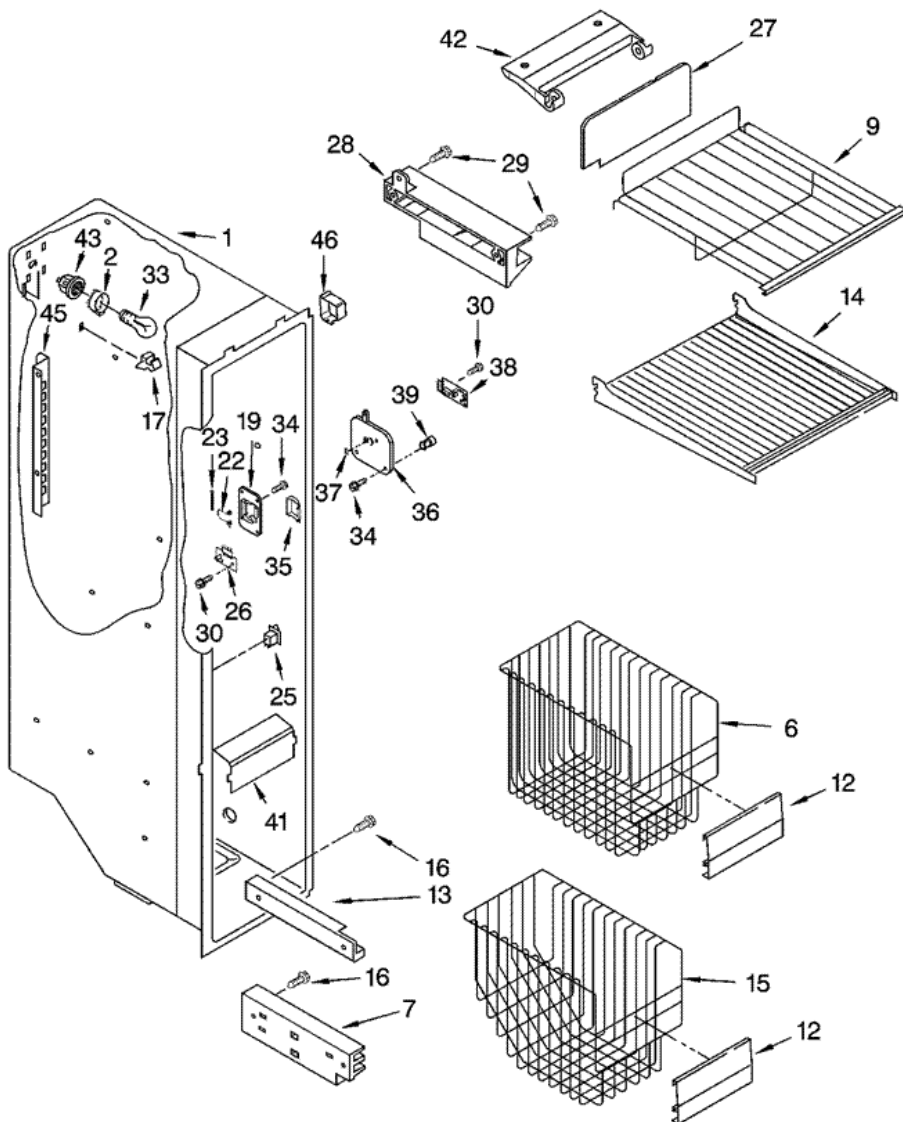
1	2223517	FRAME ASSEMBLY, GLASS SLIDING (2) (S/P)
2	W10233485	SNACK BIN ASM (S/P)
3	2223592	COVER, CRISPER (S/P)
4	2216624K	EGG BIN ASSEMBLY (S/P)
5	2223591	GLASS, COVER (S/P)
6	2223714	GLASS, COVER (S/P)
7	2223650	SHELF, DROP DOWN (S/P)
8	2223242	COVER, MEAT PAN (S/P)
10	W10233488	CRISPER PAN ASM (S/P)
11	2223308	SLIDE, HUMIDITY CONTROL (S/P)
12	2223309	KNOB, HUMIDITY CONTROL (S/P)
13	2223288	SHELF PAN ASM. (S/P)
14	W10233491	MEAT PAN ASM (S/P)
17	2223637	SHELF ASSEMBLY, DROP DOWN (S/P)
18	2179350	DEFLECTOR (S/P)
20	2223427	TRACK, SHELF (RIGHT SIDE) (S/P)
20	2223428	TRACK, SHELF (LEFT SIDE) (S/P)
22	2255160	SHELF, SLIDE OUT (S/P)
23	2223320	SLIDE, PAN (S/P)

Distribuidor Autorizado

SurteRápido.com

Venta de Refacciones
Electrodomesticas

7GS2SHEXMS00 FREEZER LINER

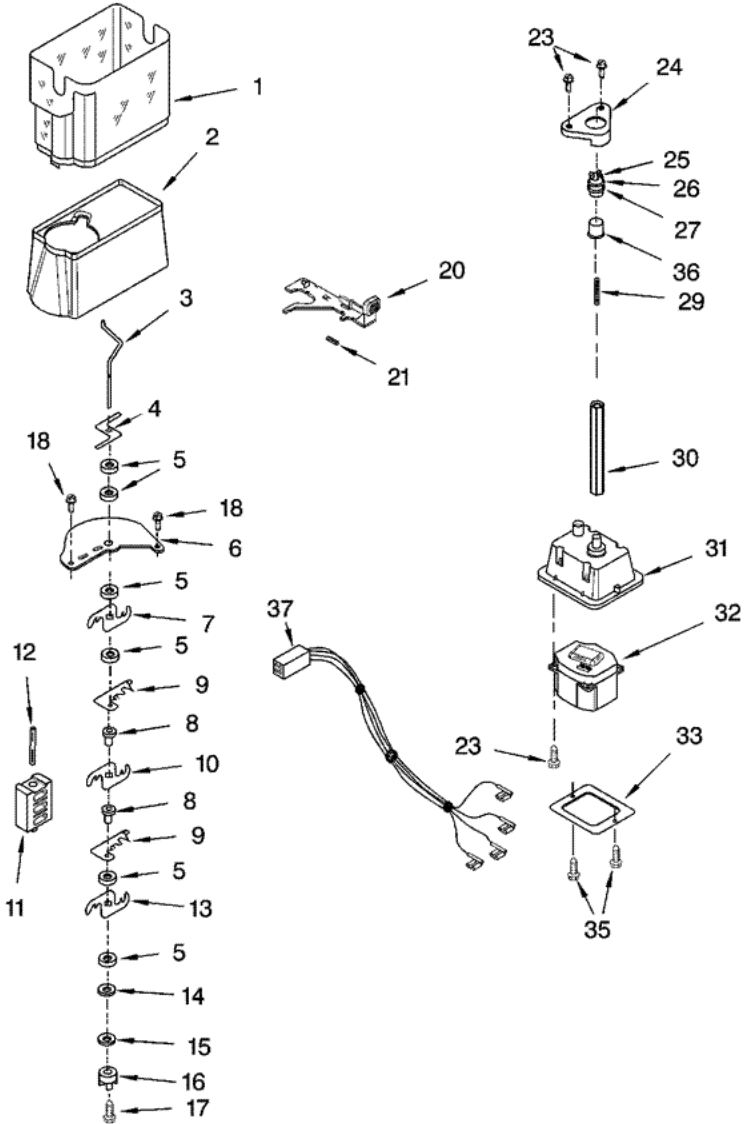




7GS2SHEXMS00 FREEZER LINER

1	*****	LINER (NOT A SEVICEABLE PART)
2	4387478	SHROUD, LIGHT
6	2301192	BASKET, TALL (S/P)
7	2223706	TRACK, BASKET-DUAL (RIGHT SIDE) (S/P)
7	2223707	TRACK, BASKET-DUAL (LEFT SIDE) (S/P)
9	2211743K	SHELF, SLIDE OUT UPPER (S/P)
12	2195904K	BASKET, FRONT (S/P)
13	2261449	SHELF TRACK (RIGHT SIDE) (S/P)
13	2261448	SHELF TRACK (LEFT SIDE) (S/P)
14	2212343K	SHELF (S/P)
15	2301193	BASKET, SLOPED (S/P)
17	842534	CLIP, AIR DUCT (S/P)
19	2255572	COVER, EMITTER (S/P)
22	2198635	SPRING (S/P)
23	2198634	PIN (S/P)
25	4387911	SWITCH, ROCKER ARM (S/P)
26	4389102	P.C. BOARD EMITTER
27	2255589	COVER, ICE MAKER (S/P)
28	2212321	SLIDE, ICE MAKER MOUNTING (S/P)
29	489478	SCREW (S/P)
33	2255743	LIGHT BULB (S/P)
34	8281185	SCREW (S/P)
35	2198633	FLIPPER (S/P)
36	2255558	COVER, RECEIVER (S/P)
37	2255562	SLIDE, ICE MAKER SHUT OFF (S/P)
38	4389102	P.C. BOARD, RECEIVER
39	2198643	LENS (S/P)
41	2212376	LIGHT LENS (S/P)
42	2198641	BRACKET, ICE MAKER COVER (S/P)
43	2155597	SOCKET, LIGHT (S/P)
45	2212315	LADDER (LEFT SIDE) (S/P)
45	2212316	LADDER (RIGHT SIDE) (S/P)
46	2219878	SHIELD, WIRING (S/P)

7GS2SHEXMS00 MOTOR AND ICE CONTAINER

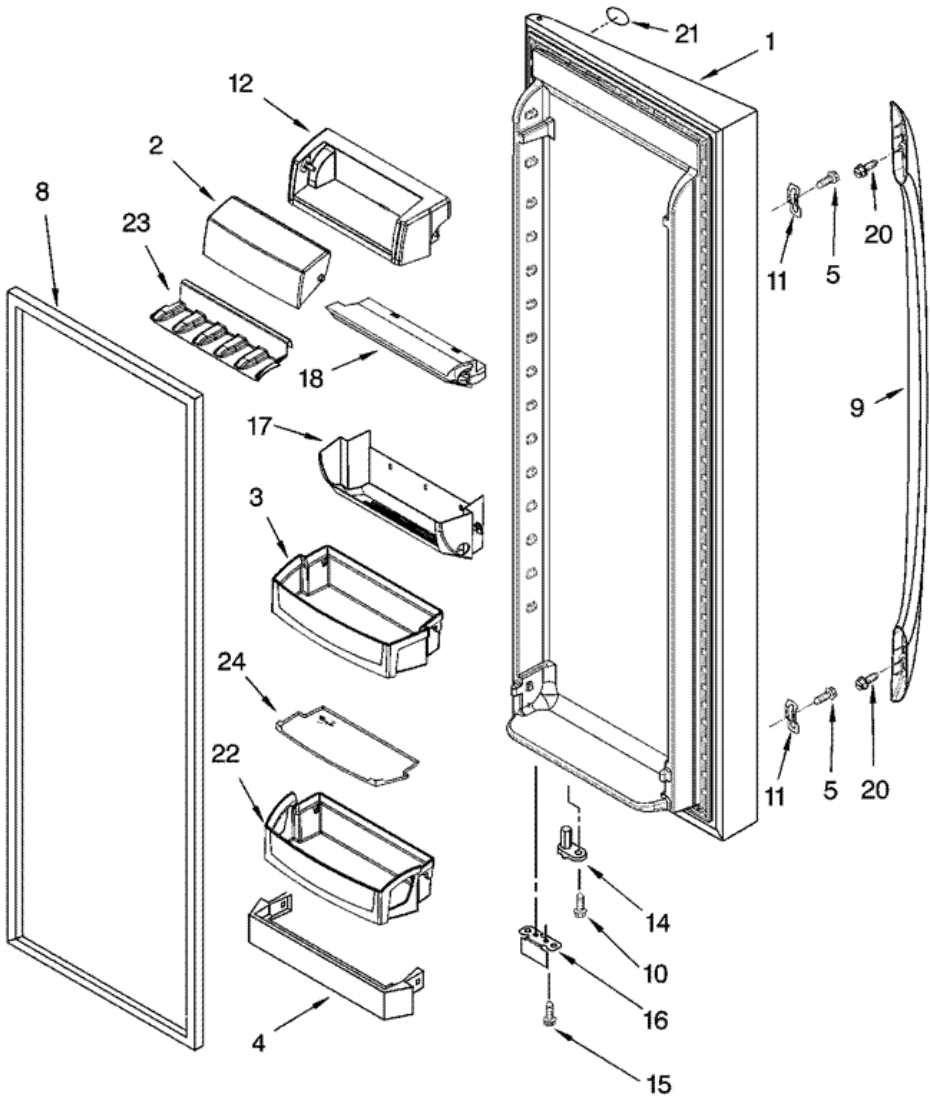




7GS2SHEXMS00 MOTOR AND ICE CONTAINER

1	2212302	ICE BIN (S/P)
2	2255577	CRUSHER BIN (S/P)
3	2320328	AUGER (S/P)
4	2212382	BLADE, STIRRING (S/P)
5	1119007	SPACER, FLAT (6)
6	2255461	COVER, CRUSHER (S/P)
7	2257024	BLADE, ROTARY
8	1119005	SPACER, STEP (2)
9	2257020	BLADE, FIXED
10	2257023	BLADE, ROTARY
11	2198602	BLOCK, BLADE
12	489229	ROLL PIN
13	2257022	BLADE, ROTARY
14	489235	WASHER, PLAIN
15	2198661	WASHER, COUPLING
16	2220457	COUPLING
17	8281164	SCREW
18	3400065	SCREW (S/P)
20	2255578	LATCH, BIN (S/P)
21	2198608	SPRING, LATCH (S/P)
23	8281163	SCREW (S/P)
24	2212369	HOLDER (S/P)
25	2220458	COUPLING, BOTTOM (S/P)
26	2198628	SEAL (S/P)
27	2212370	WASHER (S/P)
29	2198607	SPRING (S/P)
30	999536	DRIVE SHAFT (S/P)
31	2256154	BRACKET, MOTOR (S/P)
32	2252130	DISPENSER, MOTOR (S/P)
33	2222862	COVER (S/P)
35	489478	SCREW (S/P)
36	2212365	SLEEVE, COUPLING (S/P)
37	2187725	WIRE HARNESS, IDI MOTOR (S/P)

7GS2SHEXMS00 REFRIGERATOR DOOR

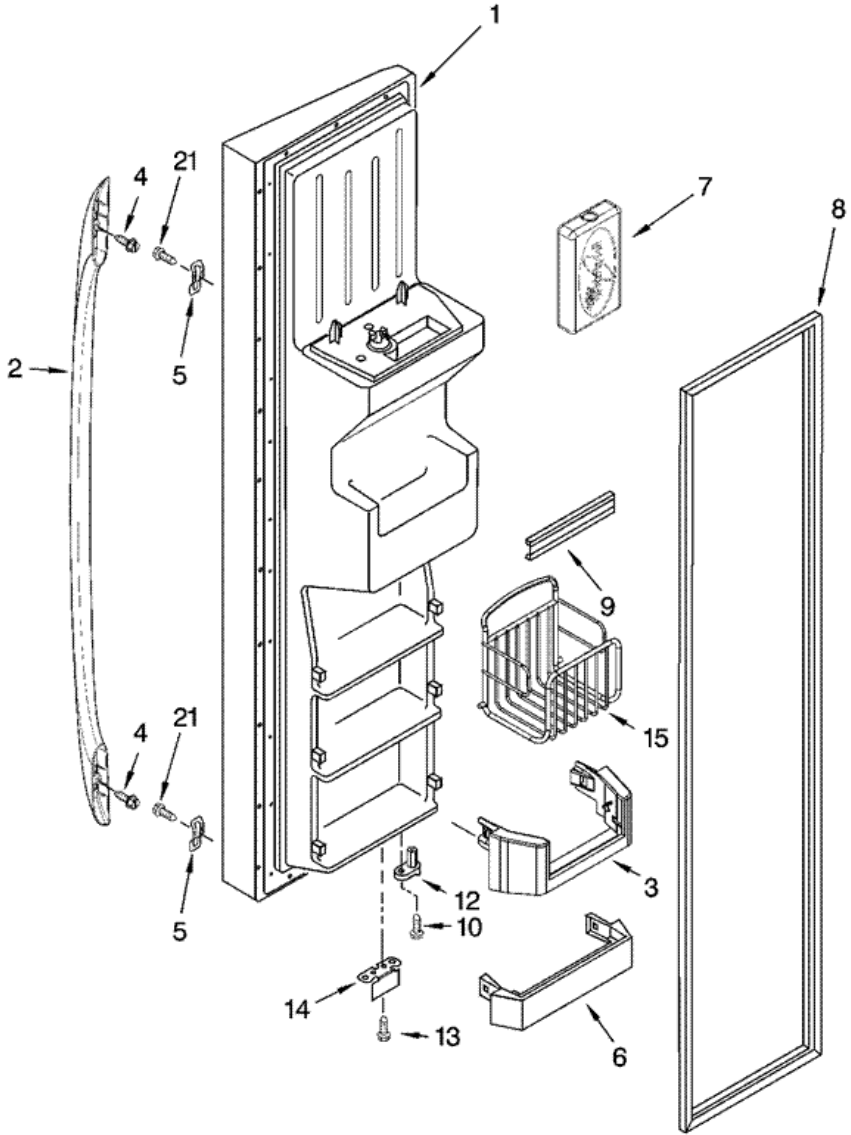




7GS2SHEXMS00 REFRIGERATOR DOOR

1	L2255533SB	REFRIGERATOR DOOR (INCLUDES ITEM 8) (S/P)
1	L2255533W	REFRIGERATOR DOOR (INCLUDES ITEM 8) (S/P)
2	2255421	DAIRY DOOR (S/P)
3	W1015806	DOOR BIN (2) (S/P)
4	2318736	TRIVET (S/P)
5	489491	SCREW (4) (S/P)
8	2159073	DOOR GASKET, MAGNETIC (MIST BEIGE) (S/P)
8	2221311	DOOR GASKET, MAGNETIC (BLACK) (S/P)
9	8201754	HANDLE (BLACK) (S/P)
9	8201752	HANDLE (WHITE) (S/P)
10	3400012	SCREW (S/P)
11	2255411	CLIP (2) (S/P)
12	2255420	DOOR COMPARTMENT (S/P)
14	2182179	DOOR CLOSER, UPPER CAM (S/P)
15	489420	SCREW (S/P)
16	2200082	BRACKET, DOOR STOP (CHROME) (S/P)
16	2200082B	BRACKET, DOOR STOP (BLACK) (S/P)
17	2255422	FRAME, CAN RACK (S/P)
18	2255424	AIR DIFFUSER ASM (S/P)
20	8533920	SCREW (S/P)
21	2220214	NAMEPLATE (S/P)
22	2223463K	DOOR BIN (S/P)
23	2255423	FLOOR, CAN RACK (S/P)
24	2223464KA	MAT, BIN (S/P)

7GS2SHEXMS00 FREEZER DOOR





7GS2SHEXMS00 FREEZER DOOR

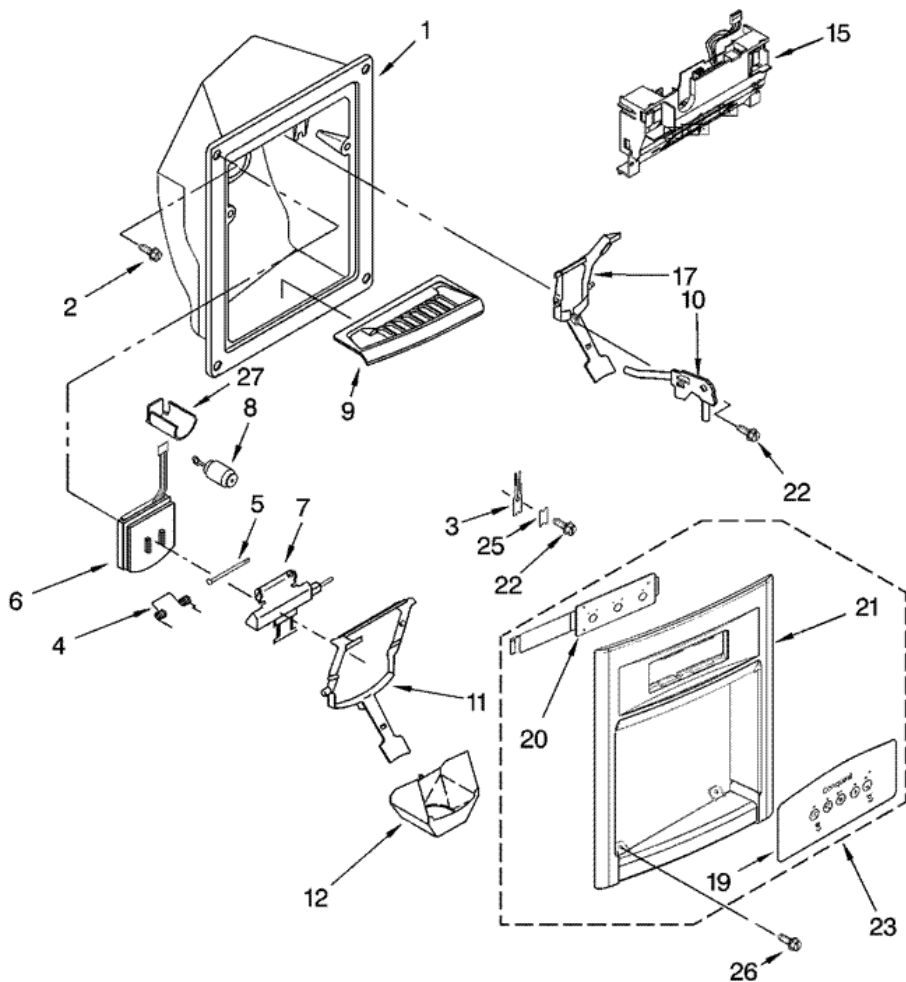
1	L2255933SS	FREEZER DOOR (INCLUDES ITEM 8) (S/P)
1	L2255933W	FREEZER DOOR (INCLUDES ITEM 8) (WHITE) (S/P)
2	8201752	HANDLE (WHITE) (S/P)
2	8201754	HANDLE (BLACK) (S/P)
3	2223472	TRIVET, TILT OUT (2) (S/P)
4	8533920	SCREW (S/P)
5	2255411	CLIP (2) (S/P)
6	2156021	TRIVET (S/P)
7	2255493	BOTTLE, ICE PACK (S/P)
8	2159072	DOOR GASKET, MAGNETIC (MIST BEIGE) (S/P)
8	2159080	DOOR GASKET, MAGNETIC (BLACK) (S/P)
9	W10307490	TRIM, DOOR SHELF (S/P)
10	3400012	SCREW (S/P)
12	2182179	DOOR CLOSER, UPPER CAM (S/P)
13	489420	SCREW (S/P)
14	2200082	BRACKET, DOOR STOP (CHROME) (S/P)
14	2200082B	BRACKET, DOOR STOP (BLACK) (S/P)
15	2304308	BASKET, TILT OUT (2) (S/P)
21	489491	SCREW (4) (S/P)

Distribuidor Autorizado

SurteRápido.com

Venta de Refacciones
Electrodomesticas

7GS2SHEXMS00 DISPENSER FRONT





7GS2SHEXMS00 DISPENSER FRONT

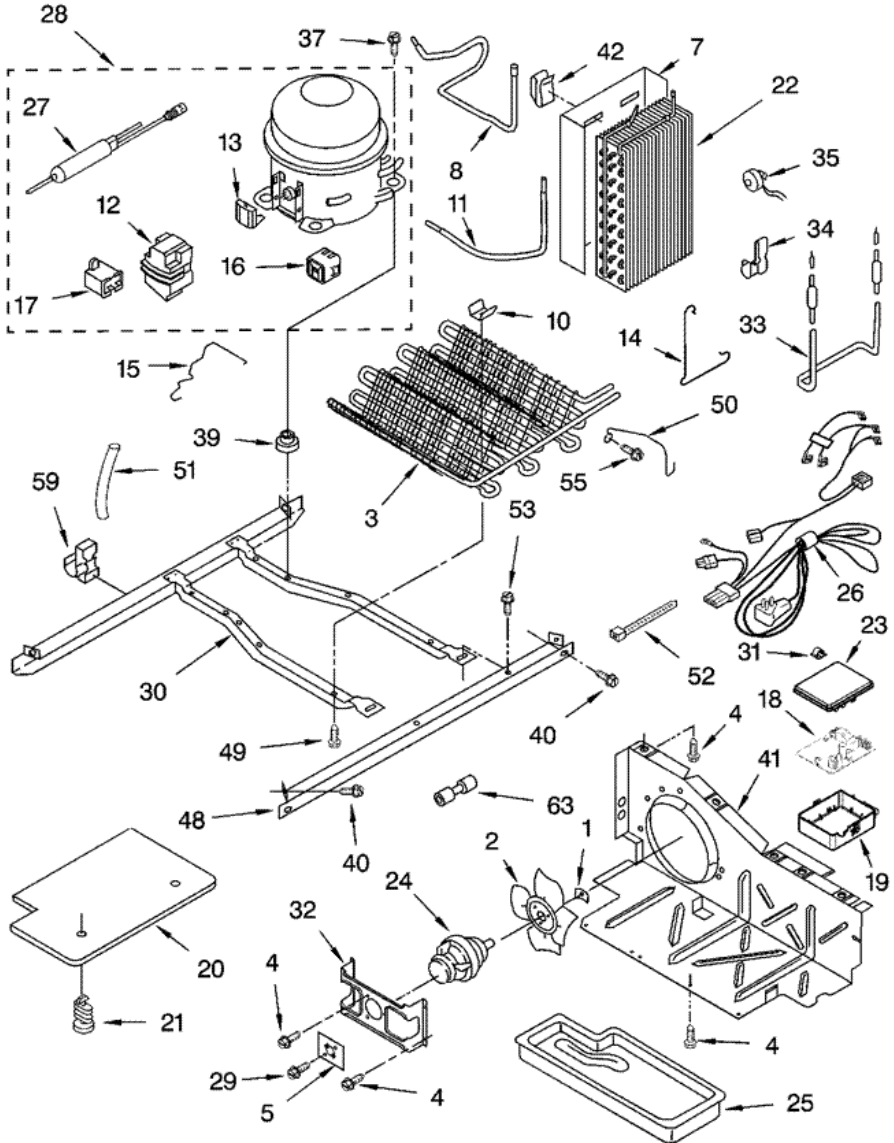
1	*****	HOUSING, DISPENSER (NOT SERVICED)
2	3196537	SCREW (S/P)
3	2194719	RETAINER, LEVERS
4	W10224328	SPRING, TORSION (S/P)
5	2196195	PIN (S/P)
6	2180353	DOOR, ICE
7	8201649	DOOR MECHANISM ASSEMBLY
8	8201649	MECHANISM DELAY
9	2207048B	GRILLE, OVERFLOW (BLACK) (S/P)
9	2207048W	GRILLE, OVERFLOW (WHITE) (S/P)
10	8201537	WATER FITTING ASSEMBLY (S/P)
11	2255431B	LEVER, ICE DISPENSER (BLACK) (S/P)
11	2255431W	LEVER, ICE DISPENSER (WHITE) (S/P)
12	2180224	GUIDE, ICE
15	W10184871	BRACKET, CONTROL (S/P)
17	2255432B	LEVER, WATER DISPENSER (BLACK) (S/P)
17	2255432W	LEVER, WATER DISPENSER (WHITE) (S/P)
19	*****	OVERLAY, FRONT COVER (ORDER 23)
20	*****	LED DISPLAY WITH AUTO NIGHT LIGHT (ORDER 23)
21	*****	FRONT COVER, HOUSING (ORDER 23)
22	489000	SCREW (S/P)
23	W10130171	FRONT COVER ASS.(INC. 19,20 & 21) (BLACK) (S/P)
23	2252079W	FRONT COVER ASS.(INC. 19,20 & 21) (WHITE) (S/P)
25	2195051	STRAIN RELIEF (S/P)
26	3400065	SCREW (S/P)
27	2252127	SLEEVE, MECHANISM DISPLAY (S/P)

Distribuidor Autorizado

SurteRápido.com

Venta de Refacciones
Electrodomesticas

7GS2SHEXMS00 UNIT



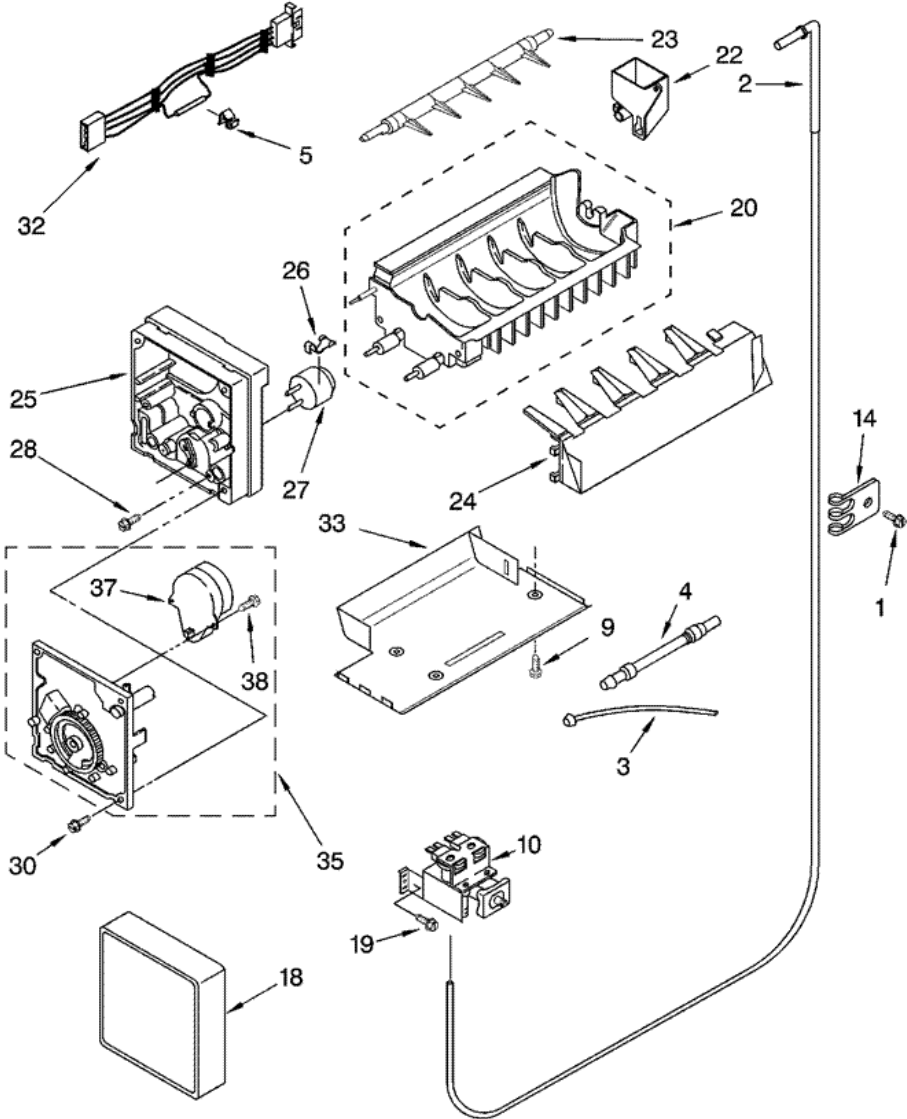


7GS2SHEXMS00 UNIT

1	486692	SPEED NUT (S/P)
2	2190685	FAN, BLADE (S/P)
3	8201683	CONDENSER ASSEMBLY (S/P)
4	489464	SCREW (S/P)
5	2216997	INSERT, BRACKET (S/P)
7	2256149	HEAT SHIELD AND DRAIN PAN (S/P)
8	2205764	TUBE SUCTION (S/P)
10	2216914	CLIP, CONDENSER (S/P)
11	2255798	TUBE, CONDENSER TO HEAT LOOP (S/P)
12	2162358	COVER (SERVICE COMPRESSOR ONLY) (S/P)
13	4387535	OVERLOAD (SERVICE COMPRESSOR ONLY) (S/P)
14	2161324	CLIP, DEFROST HEATER (S/P)
15	2255199	CLIP, RETAINING (S/P)
16	W10189190	START-DEVICE, COMBINATION (S/P)
17	2169373	CAPACITOR (PRODUCTION 4387764 (SERVICE)
18	2304095	ELECTRONIC CONTROL
19	2255623	CONTROL BOX (S/P)
20	2182057	UNIT COVER, BOTTOM (S/P)
21	489396	CLIP (S/P)
22	2188822	EVAPORATOR (S/P)
23	W10133000	COVER (S/P)
24	833697	MOTOR, FAN
25	842041	TRAY, EVAPORATOR (S/P)
26	2187739	HARNESS, WIRE (S/P)
27	4387019	DRIER (S/P)
28	W10309990	COMPRESSOR (S/P)
29	8281160	SCREW (S/P)
30	2304903	FRAME, UNIT MOUNTING (S/P)
31	1115374	CLIP, WIRING (S/P)
32	2181929	BRACKET, FAN MOTOR (S/P)
33	2188174	HEATER, DEFROST (S/P)
34	2161330	CLIP DESCONTINUADO
35	2319914	BI-METAL, DEFROST

37	4388295	SCREW (S/P)
39	4387558	GROMMET (4) (SERVICE) (S/P)
39	4388295	GROMMET (4) (PRODUCTION) (S/P)
40	489340	SCREW (S/P)
41	2196202	AIR BAFFLE (S/P)
42	2155547	CLIP, HEAT DESCONTINUADO
48	2149718	UNIT MOUNTING RAIL (S/P)
49	8281232	SCREW (S/P)
50	2186496	GUARD, FAN (S/P)
51	2162499	SLEEVE (S/P)
52	W10339879	WIRE TIE (S/P)
53	489427	SCREW (S/P)
55	489478	SCREW (S/P)
59	W10169512	CLIP, WIRE & TUBE (S/P)
63	978025	VALVE, ACCESS (1/4``) (S/P)
63	978027	VALVE, ACCESS (3/8``) (S/P)
63	978028	VALVE, ACCESS (1/2``) (S/P)
63	876764	VALVE, ACCESS (3/16``) (S/P)
63	978026	VALVE, ACCESS (5/16``) (S/P)
63	978029	VALVE, ACCESS (5/8``) (S/P)
63	978030	VALVE, ACCESS (3/4``) (S/P)

7GS2SHEXMS00 ICE MAKER

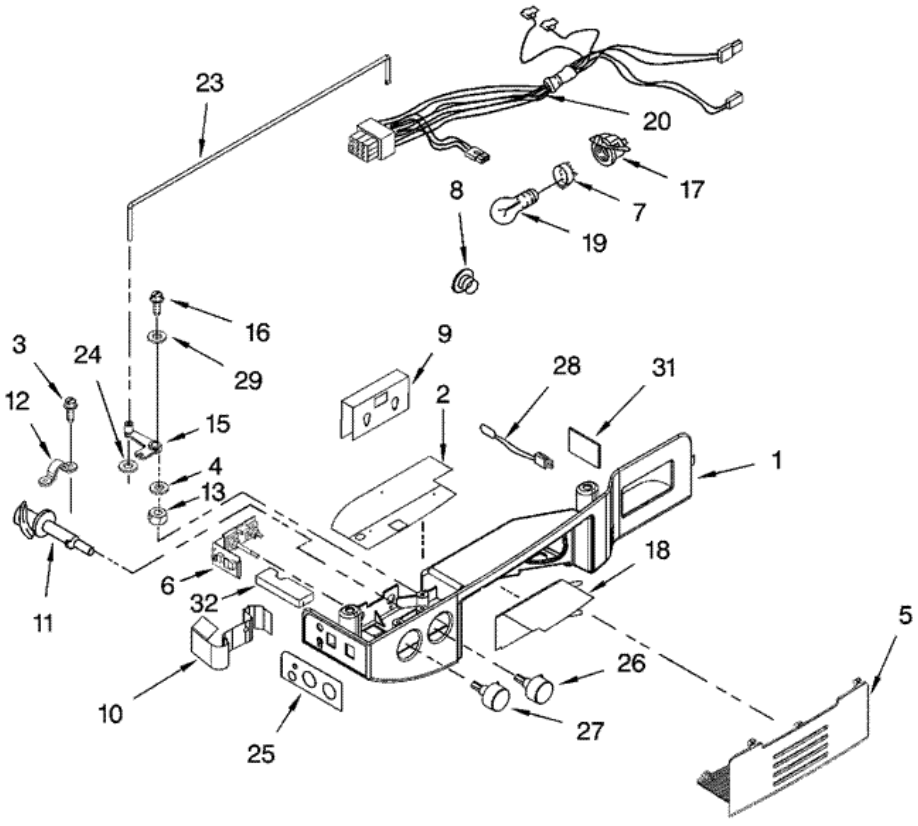




7GS2SHEXMS00 ICE MAKER

1	489084	SCREW (S/P)
2	2256096	FITTING, WATER TUBE (S/P)
3	2255153	TUBE, FILTER OUTLET (S/P)
4	8201597	TUBE, FILTER INLET (S/P)
5	628379	CLIP, FUSE (S/P)
9	489478	SCREW (S/P)
10	W10408180	FILTER VALVE (S/P)
14	488366	TUBE, CLIP (S/P)
18	W10289690	COVER (S/P)
19	488649	SCREW (S/P)
20	W10122550	MOLD & HEATER ASSEMBLY (S/P)
22	628356	CUP-WATER FILL (S/P)
23	2212320	EJECTOR (S/P)
24	W10297245	ICE STRIPER (S/P)
25	2195914	SUPPORT (S/P)
26	2315522	RETAINER, THERMOSTAT (S/P)
27	627985	THERMOSTAT (ALSO ORDER 542369)
28	8533917	SCREW (S/P)
30	489276	SCREW (S/P)
32	2187484	HARNESS, WIRING (S/P)
33	2212317	BRACKET, ICEMAKER MOUNTING (S/P)
35	628399	MODULE ASSEMBLY(INC. ITEMS 37 & 38) (S/P)
37	W10190935	MOTOR (S/P)
38	489136	SCREW (S/P)
100	W10190961	ICEMAKER ASSEMBLY (S/P)

7GS2SHEXMS00 CONTROL





7GS2SHEXMS00 CONTROL

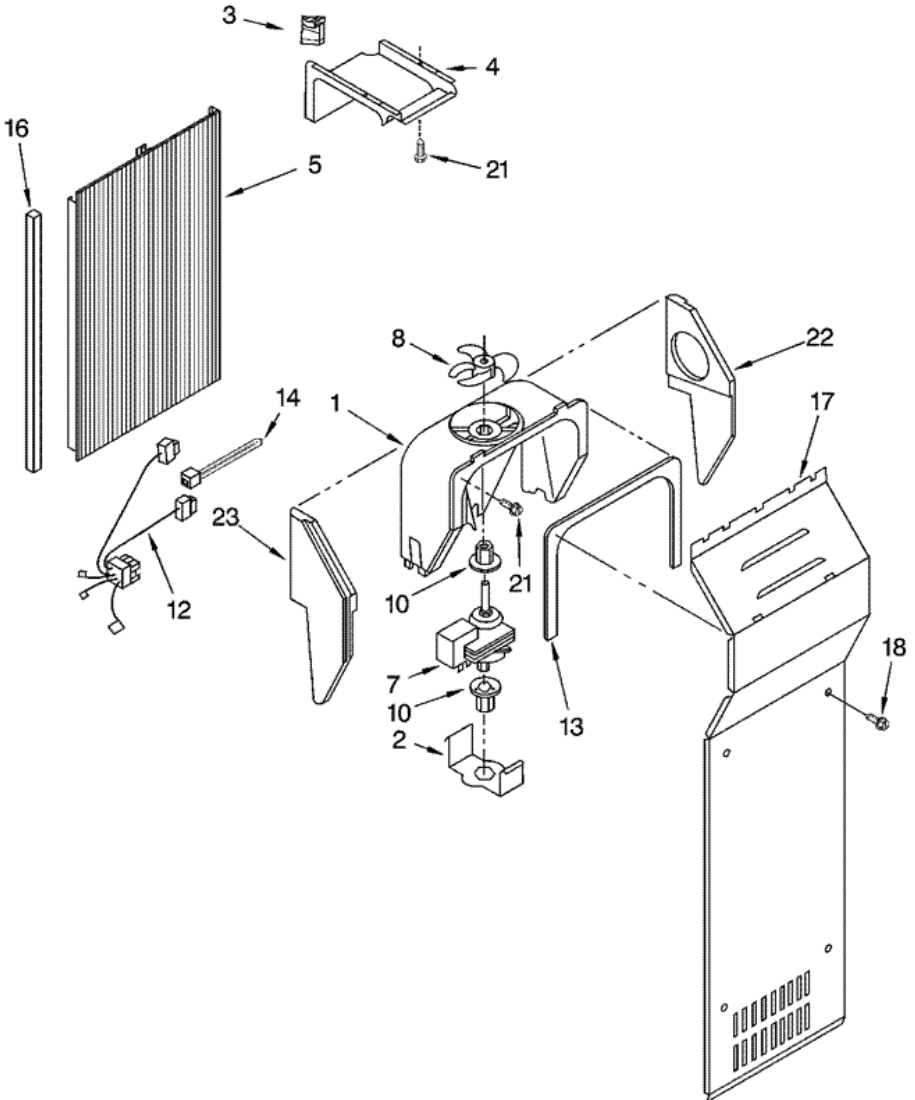
1	2255222	CONTROL BOX
2	2255991	SHIELD, ELECTRICAL DESCONTINUADO
3	3196537	SCREW (4) (S/P)
4	3400972	WASHER (S/P)
5	2255225	LENS, LIGHT (S/P)
6	2255233	ELECTRONIC CONTROL (S/P)
7	2175210	SHROUD, LIGHT (S/P)
8	940014	HOLE PLUG (S/P)
9	2261232	SHIELD, ELECTRICAL DESCONTINUADO
10	2261231	SHIELD, ELECTRICAL (INTERNAL) DESCONTINUADO
11	2255226	CAM ASSEMBLY (S/P)
12	2255413	BEARING BODY (S/P)
13	3400971	NUT, HEX DESCONTINUADO
15	2255227	PIVOT ARM (S/P)
16	627068	SCREW (S/P)
17	4387478	LIGHT SOCKET
18	2255666	SHIELD, HEAT (S/P)
19	2255743	LIGHT BULB (S/P)
20	2187965	CONTROL BOX HARNESS (S/P)
23	2255228	CONNECTING ROD (S/P)
24	489285	FASTENER, PUSH-ON (S/P)
25	2255611	ESCUTCHEON, CONTROL BOX (S/P)
26	2255232	KNOB, RC (S/P)
27	2255992	KNOB, FC (S/P)
28	2188819	THERMISTOR
29	489203	SPRING WASHER (S/P)
31	2261265	AIR SEAL, THERMISTOR (S/P)
32	2261329	FOAM, SHIELD DESCONTINUADO

Distribuidor Autorizado

SurteRápido.com

Venta de Refacciones
Electrodomesticas

7GS2SHEXMS00 AIR FLOW





7GS2SHEXMS00 AIR FLOW

1	2182119	FAN SCROLL (S/P)
2	2155590	RETAINER, FAN MOTOR (S/P)
3	2198595	AIR SCOOP (S/P)
4	2212377	AIR DUCT, UPPER (S/P)
5	2212313	AIR DUCT FREEZER (S/P)
7	4389144	FAN MOTOR
8	2169142	FAN BLADE (S/P)
10	2176759	FAN GROMMET (2) (S/P)
12	W10129821	HARNESS, FAN EVAPORATOR AND HEATER (S/P)
13	2155789	GASKET COVER (S/P)
14	W10339879	WIRE TIE (S/P)
16	4388500	GASKET (S/P)
17	W10207507	COVER, EVAPORATOR (S/P)
18	489355	SCREW (S/P)
21	489478	SCREW (S/P)
22	4388358	SUPPORT, R.S (S/P)
23	4388358	SUPPORT, L.S (S/P)