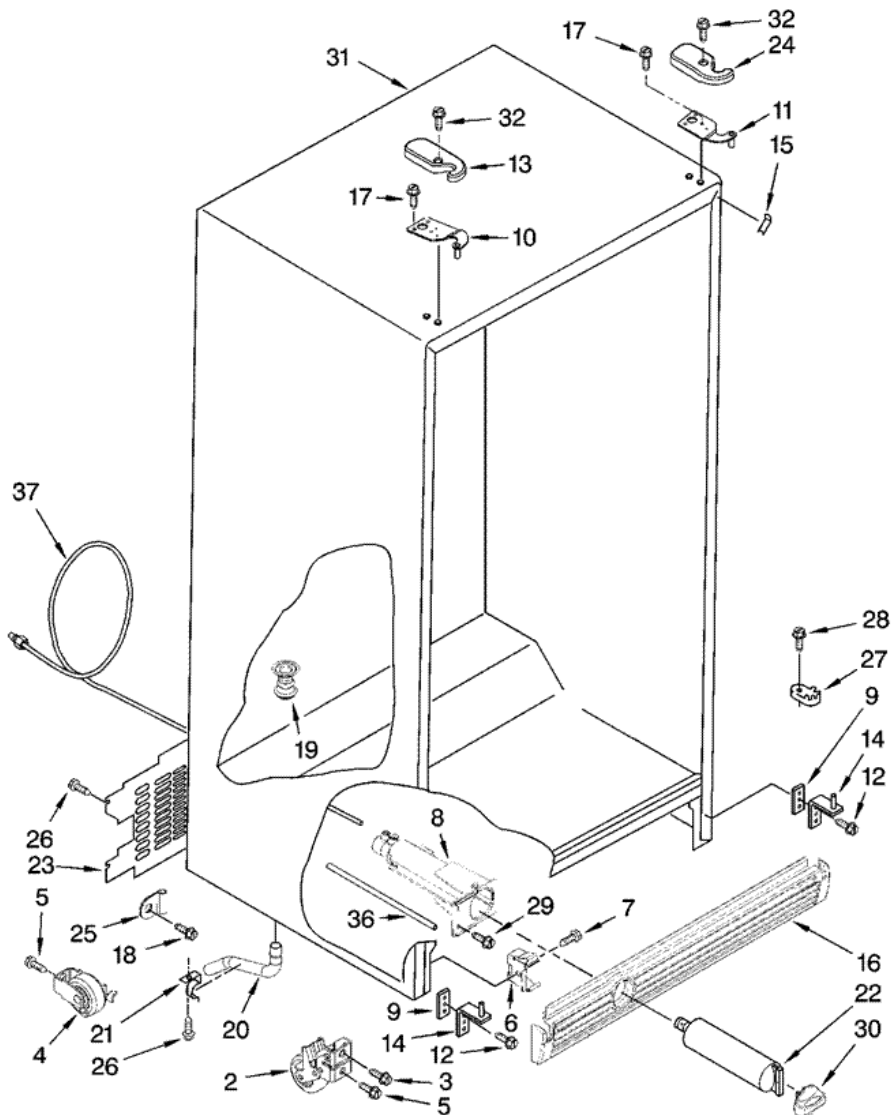


Distribuidor Autorizado

SurteRápido.com

Venta de Refacciones
Electrodomesticas

7GS2SHEXPL01 CABINET



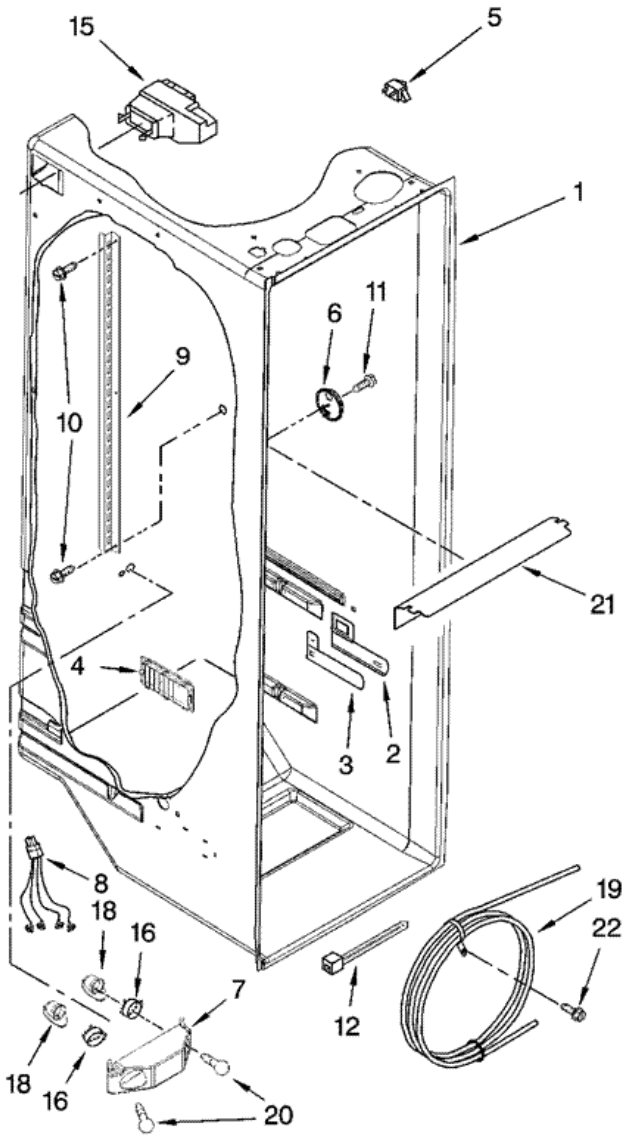


7GS2SHEXPL01 CABINET

2	4386774	FRONT ROLLER (2)
3	3400517	SCREW (S/P)
4	2196236	ROLLER (REAR) (2) (S/P)
5	489427	SCREW (S/P)
6	2155013	CLIP, GRILLE (S/P)
7	489478	SCREW (S/P)
8	2186443	HOUSING, WATER FILTER (S/P)
9	2209697	SHIM (S/P)
10	2203770	HINGE TOP, FC (S/P)
11	2203771	HINGE TOP, RC (S/P)
12	3400113	SCREW (S/P)
13	2203407B	HINGE COVER, FC (BLACK) (S/P)
13	2203407W	HINGE COVER, FC (WHITE) (S/P)
14	8201707	HINGE BOTTOM (S/P)
15	2196094	FILLER, WRAPPER (WHITE) (S/P)
15	2196097	FILLER, WRAPPER (BLACK) (S/P)
16	W10283940	GRILLE (WHITE) (S/P)
16	2198467B	GRILLE (BLACK) (S/P)
17	489497	SCREW (S/P)
18	488687	SCREW (S/P)
19	2304888	DRAIN FITTING (S/P)
20	1108438	EXTENSION TUBE (S/P)
21	1108439	CLIP, DRAIN TUBE (S/P)
22	4392857	WATER FILTER
23	2188753	COVER, UNIT (S/P)
24	2203408W	HINGE COVER, RC (WHITE) (S/P)
24	2203408B	HINGE COVER, RC (BLACK) (S/P)
25	596171	CLAMP, SERVICE CORD (S/P)
26	489084	SCREW (S/P)
27	2155311	DOOR CLOSER, LOWER CAM (2)
28	489483	SCREW (S/P)
29	489500	SCREW (S/P)
30	2186494B	CAP, WATER FILTER (BLACK)

30	2186494W	CAP, WATER FILTER (WHITE) (S/P)
31	*****	CABINET (NOT A SERVICEABLE PART)
32	8281227	SCREW (S/P)
36	2255153	TUBE, FILTER OUTLET (S/P)
37	2304697	TUBE, FILTER INLET (S/P)

**7GS2SHEXPL01 REFRIGERATOR
 LINER**

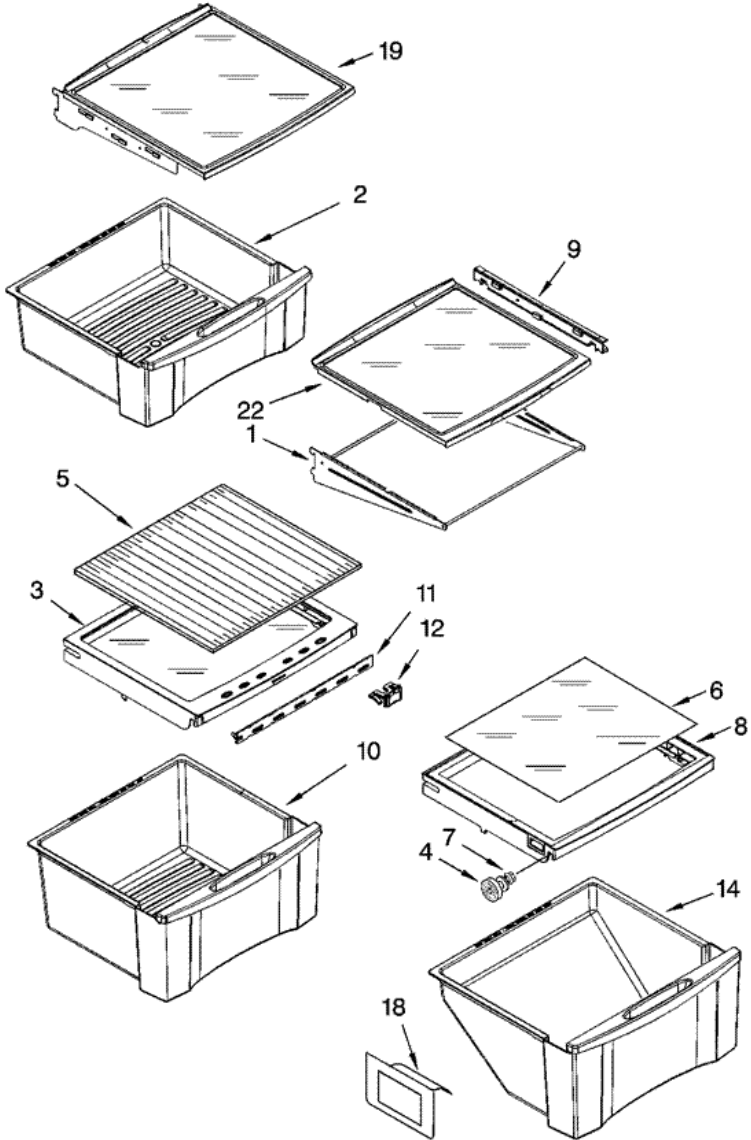




7GS2SHEXPL01 REFRIGERATOR LINER

1	*****	LINER (NOT A SERVICEABLE PART)
2	2194744	ESCUTCHEON, MEAT PAN CONTROL (S/P)
3	2182757	SLIDE MEAT PAN CONTROL (S/P)
4	8201651	LOUVER (S/P)
5	1118894	SWITCH, ROCKER ARM (S/P)
6	2261601	DOOR CONTROL ASM (S/P)
7	2256035	BRACKET, DUAL CRISPER (S/P)
8	2311637	WIRE HARNESS, DUAL CRISPER (S/P)
9	2206270	SHELF LADDER (S/P)
10	489478	SCREW (S/P)
11	486298	SCREW (S/P)
12	2205813	STRAP (S/P)
15	2209753	AIR DIFFUSER ASSEMBLY
16	2175210	SHROUD, LIGHT (S/P)
18	4387478	SOCKET
19	2256126	RESERVOIR (S/P)
20	2255743	LIGHT BULB (S/P)
21	2317782	LIGHT LENS (S/P)
22	488280	SCREW (S/P)

**7GS2SHEXPL01 REFRIGERATOR
SHELF**





7GS2SHEXPL01 REFRIGERATOR SHELF

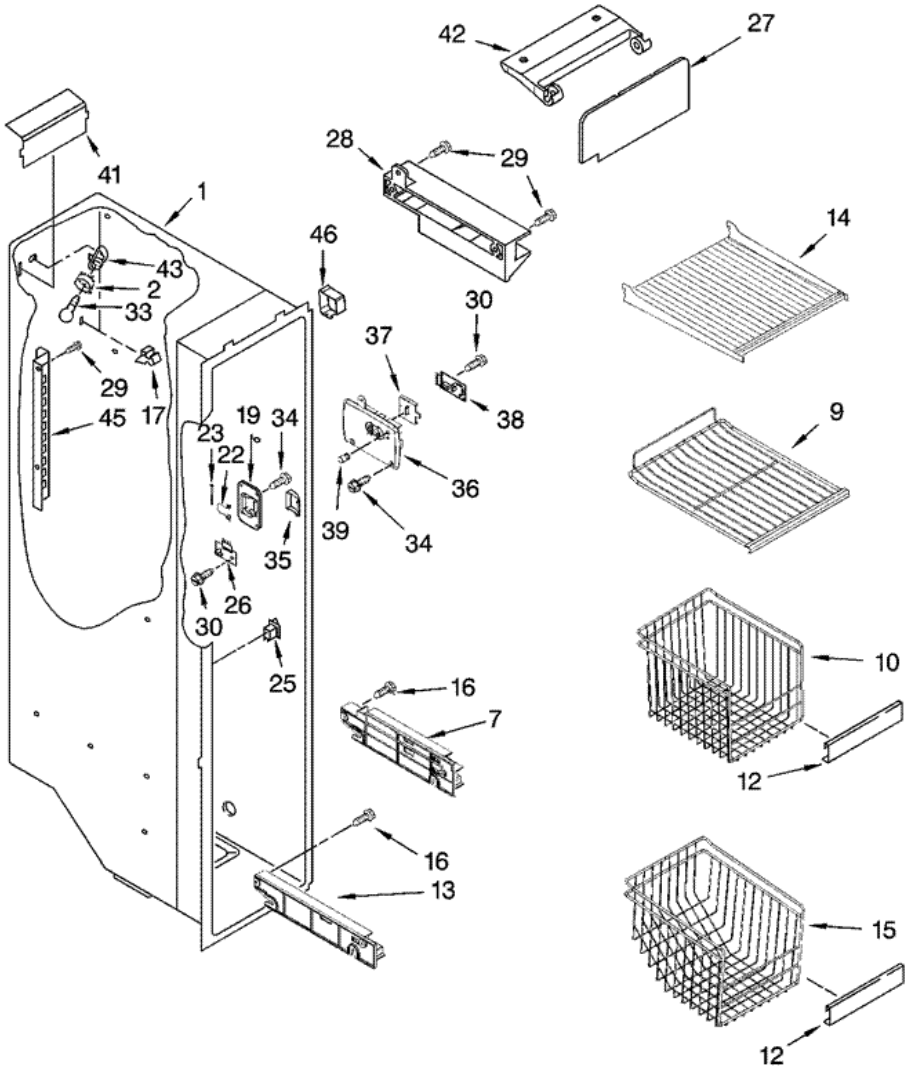
1	2223517	FRAME ASSEMBLY (S/P)
2	W10233485	SNACK BIN ASM (S/P)
3	2223592	COVER, CRISPER (S/P)
4	2196485	STUD ASSEMBLY (S/P)
5	2223591	GLASS, COVER (S/P)
6	2223714	GLASS, COVER (S/P)
7	3400894	SCREW (S/P)
8	2223242	COVER, MEAT PAN (S/P)
9	2223320	SLIDE, PAN (S/P)
10	W10233488	CRISPER PAN ASM (S/P)
11	2223308	SLIDE, HUMIDITY CONTROL (S/P)
12	2223309	KNOB, HUMIDITY CONTROL (S/P)
14	W10233491	MEAT PAN ASM (S/P)
18	2179350	DEFLECTOR (S/P)
19	2223288	SHELF PAN ASSEMBLY (S/P)
22	2255160	SHELF, SLIDE OUT (S/P)

Distribuidor Autorizado

SurteRápido.com

Venta de Refacciones
Electrodomesticas

7GS2SHEXPL01 FREEZER LINER

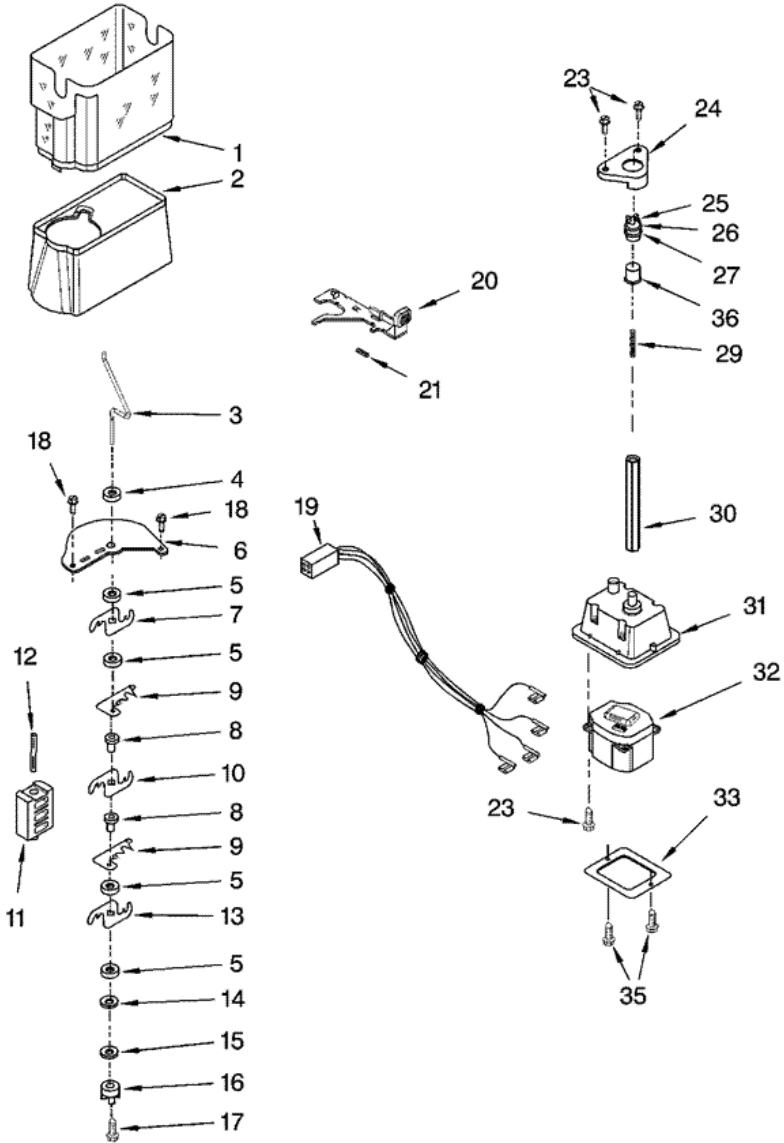




7GS2SHEXPL01 FREEZER LINER

1	*****	LINER (NOT A SEVICEABLE PART)
2	4387478	SHROUD, LIGHT
7	2301291	TRACK, BASKET-DUAL (RIGHT) (S/P)
7	2301292	TRACK, BASKET-DUAL (LEFT) (S/P)
9	2211743K	SHELF, SLIDE OUT (S/P)
10	2301192	BASKET, TALL (S/P)
12	2195904K	BASKET FRONT (S/P)
13	2301289	SHELF TRACK (RIGHT SIDE) (S/P)
13	2301290	SHELF TRACK (LEFT SIDE) (S/P)
14	2212343K	SHELF (S/P)
15	2301193	BASKET, SLOPE (S/P)
17	842534	CLIP, AIR DUCT (S/P)
19	2255572	COVER, EMITTER (S/P)
22	2198635	SPRING (S/P)
23	2198634	PIN (S/P)
25	4387911	SWITCH, ROCKER ARM (S/P)
26	4389102	P.C. BOARD EMITTER
27	2255589	COVER, ICE MAKER (S/P)
28	2212321	SLIDE, ICE MAKER (S/P)
29	489478	SCREW (S/P)
30	489214	SCREW (S/P)
33	2255743	LIGHT BULB (S/P)
35	2198633	FLIPPER (S/P)
36	2255558	COVER, RECEIVER (S/P)
37	2255562	SLIDE, ICE MAKER SHUT OFF (S/P)
38	4389102	P.C. BOARD, RECEIVER
39	2198643	LENS (S/P)
41	2212376	LIGHT LENS (S/P)
42	2198641	BRACKET, ICE MAKER COVER (S/P)
43	2155597	SOCKET, LIGHT (S/P)
45	2212315	LADDER (LEFT SIDE) (S/P)
45	2212316	LADDER (RIGHT SIDE) (S/P)
46	2219878	SHIELD, WIRING (S/P)

7GS2SHEXPL01 MOTOR AND ICE CONTAINER

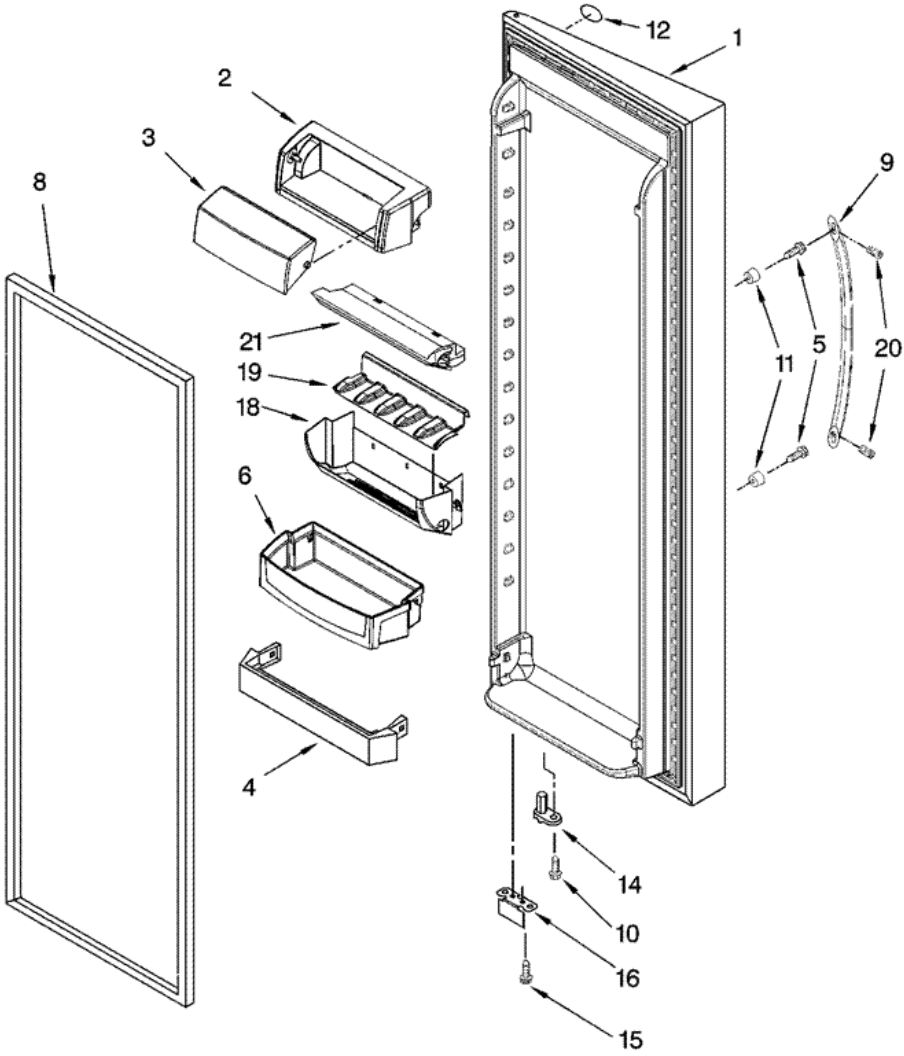




7GS2SHEXPL01 MOTOR AND ICE CONTAINER

1	2212302	ICE BIN (S/P)
2	2255577	CRUSHER BIN (S/P)
3	2320328	AUGER (S/P)
4	2258220	WASHER (S/P)
5	1119007	SPACER, FLAT (4)
6	2255461	COVER, CRUSHER (S/P)
7	2257024	BLADE, ROTARY
8	1119005	SPACER, STEP
9	2257020	BLADE, FIXED
10	2257023	BLADE, ROTARY
11	2198602	BLOCK, BLADE
12	489229	ROLL PIN
13	2257022	BLADE, ROTARY
14	489235	WASHER, PLAIN
15	2198661	WASHER, COUPLING
16	2220457	COUPLING
17	8281164	SCREW
19	2187725	WIRE HARNESS, IDI MOTOR (S/P)
20	2255578	LATCH, BIN (S/P)
21	2198608	SPRING, LATCH (S/P)
23	8281163	SCREW (S/P)
24	2212369	HOLDER (S/P)
25	2220458	COUPLING, BOTTOM (S/P)
26	2198628	SEAL (S/P)
27	2212370	WASHER (S/P)
29	2198607	SPRING (S/P)
30	999536	DRIVE SHAFT (S/P)
31	2256154	ENCLOSURE, MOTOR (S/P)
32	2188860	DISPENSER, MOTOR (S/P)
33	2222862	COVER (S/P)
35	489478	SCREW (S/P)
36	2212365	SLEEVE, COUPLING (S/P)
100	2258227	ICE CONTAINER (COMPLETE) (S/P)

**7GS2SHEXPL01 REFRIGERATOR
 DOOR**





7GS2SHEXPL01 REFRIGERATOR DOOR

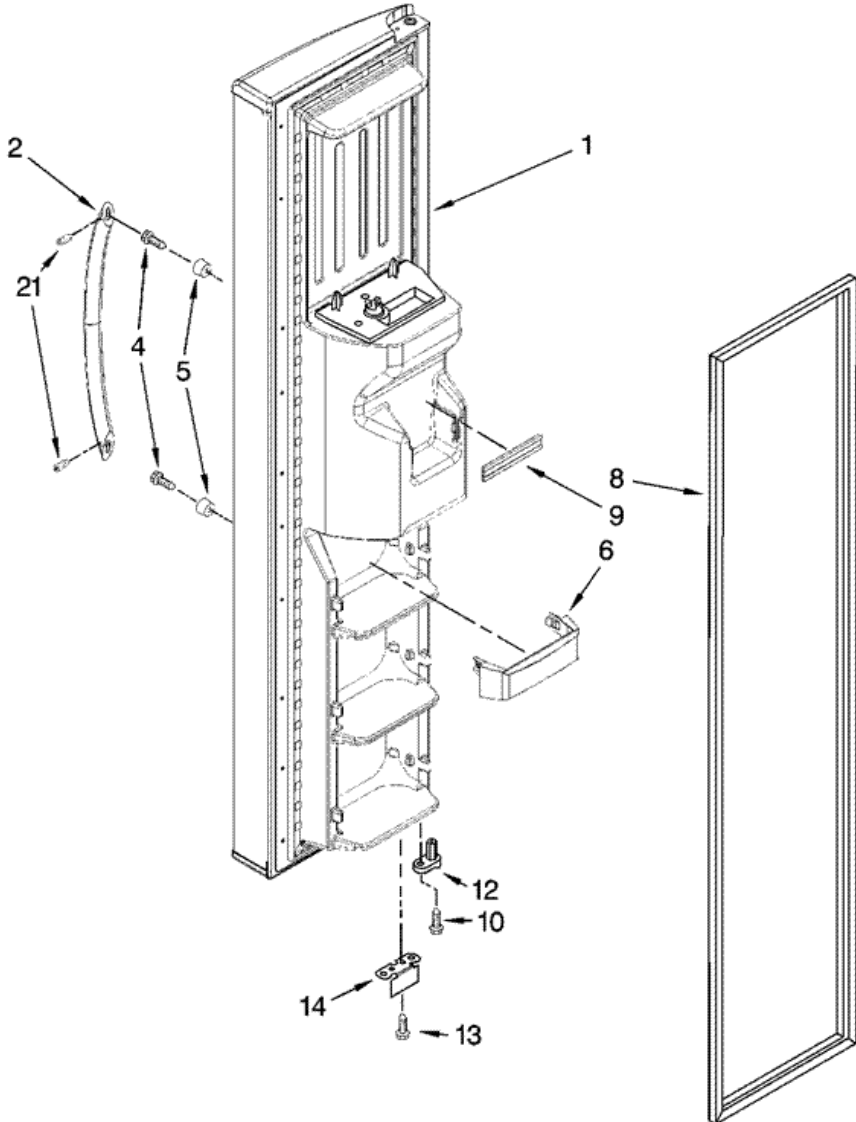
1	L2317488LB	DOOR (INCLUDES ITEM 8) (BLACK) (S/P)
1	L2317488W	DOOR (INCLUDES ITEM 8) (WHITE) (S/P)
2	2255420	DOOR COMPARTMENT (S/P)
3	2255421	DAIRY DOOR (S/P)
4	2156022	TRIVET, SHELF (S/P)
5	488208	SCREW (S/P)
6	W10158506	DOOR BIN (3) (S/P)
8	2159073	DOOR GASKET, MAGNETIC (MIST BEIGE) (S/P)
8	2159081	DOOR GASKET, MAGNETIC (BLACK) (S/P)
9	2254603W	HANDLE (WHITE) (S/P)
9	2254604S	HANDLE (STAINLESS) (S/P)
10	3400012	SCREW (S/P)
11	2219698	STUD (S/P)
12	2220214	NAMEPLATE (S/P)
14	2182179	DOOR CLOSER, UPPER CAM (S/P)
15	489420	SCREW (S/P)
16	2200082	BRACKET, DOOR STOP (CHROME) (S/P)
16	2200082B	BRACKET, DOOR STOP (BLACK) (S/P)
18	2255422	FRAME, CAN RACK (S/P)
19	2255423	FLOOR, CAN RACK (S/P)
20	8533918	SCREW (S/P)
21	2255424	AIR DIFFUSER ASM (S/P)

Distribuidor Autorizado

SurteRápido.com

Venta de Refacciones
Electrodomesticas

7GS2SHEXPL01 FREEZER DOOR





7GS2SHEXPL01 FREEZER DOOR

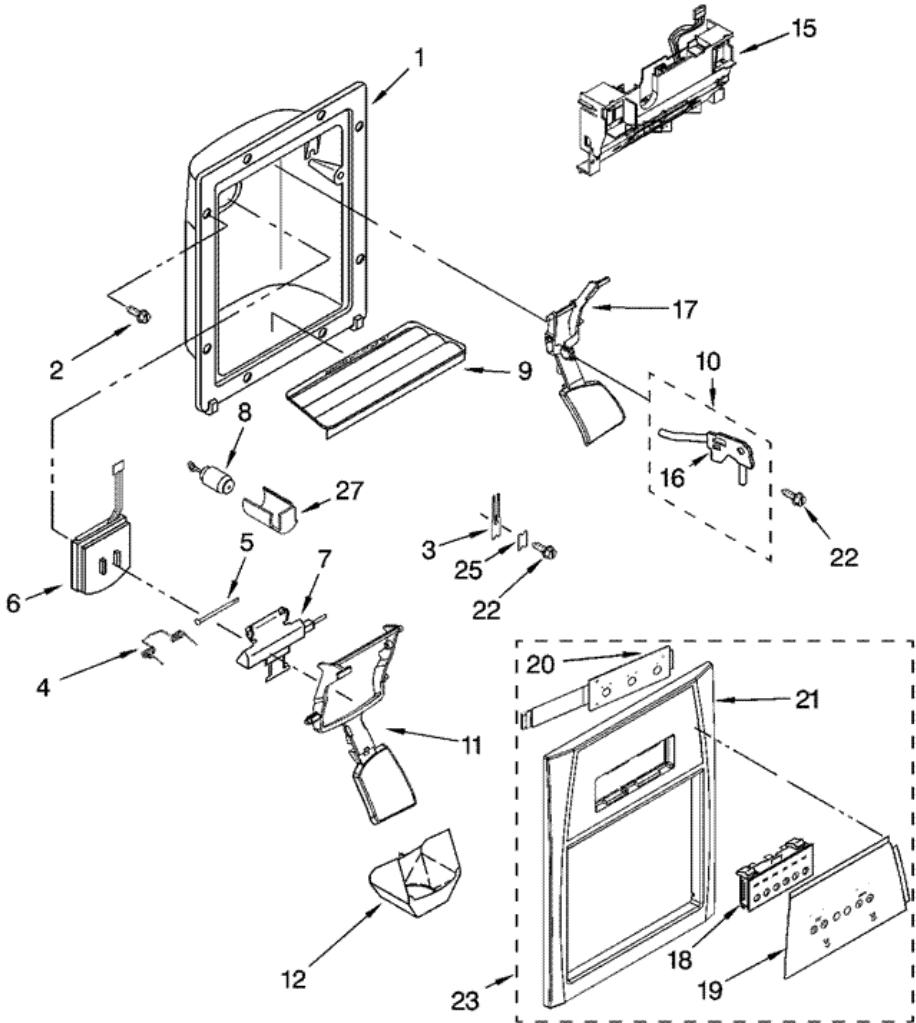
1	L2317486LB	FREEZER DOOR (INCLUDES ITEM 8) (S/P)
1	L2317486W	FREEZER DOOR (INCLUDES ITEM 8) (S/P)
2	2254603W	HANDLE (WHITE) (S/P)
2	2254604S	HANDLE (STAINLESS) (S/P)
4	488208	SCREW (S/P)
5	2219698	STUD (S/P)
6	2156021K	TRIVET, SHELF (3)
8	2159072	DOOR GASKET, MAGNETIC (MIST BEIGE) (S/P)
8	2159080	DOOR GASKET, MAGNETIC (BLACK) (S/P)
9	W10307490	TRIM, DOOR SHELF (S/P)
10	3400012	SCREW (S/P)
12	2182179	DOOR CLOSER, UPPER CAM (S/P)
13	489420	SCREW (S/P)
14	2200082	BRACKET, DOOR STOP (CHROME) (S/P)
14	2200082B	BRACKET, DOOR STOP (BLACK) (S/P)
21	8533918	SCREW (S/P)

Distribuidor Autorizado

SurteRápido.com

Venta de Refacciones
Electrodomesticas

7GS2SHEXPL01 DISPENSER FRONT





7GS2SHEXPL01 DISPENSER FRONT

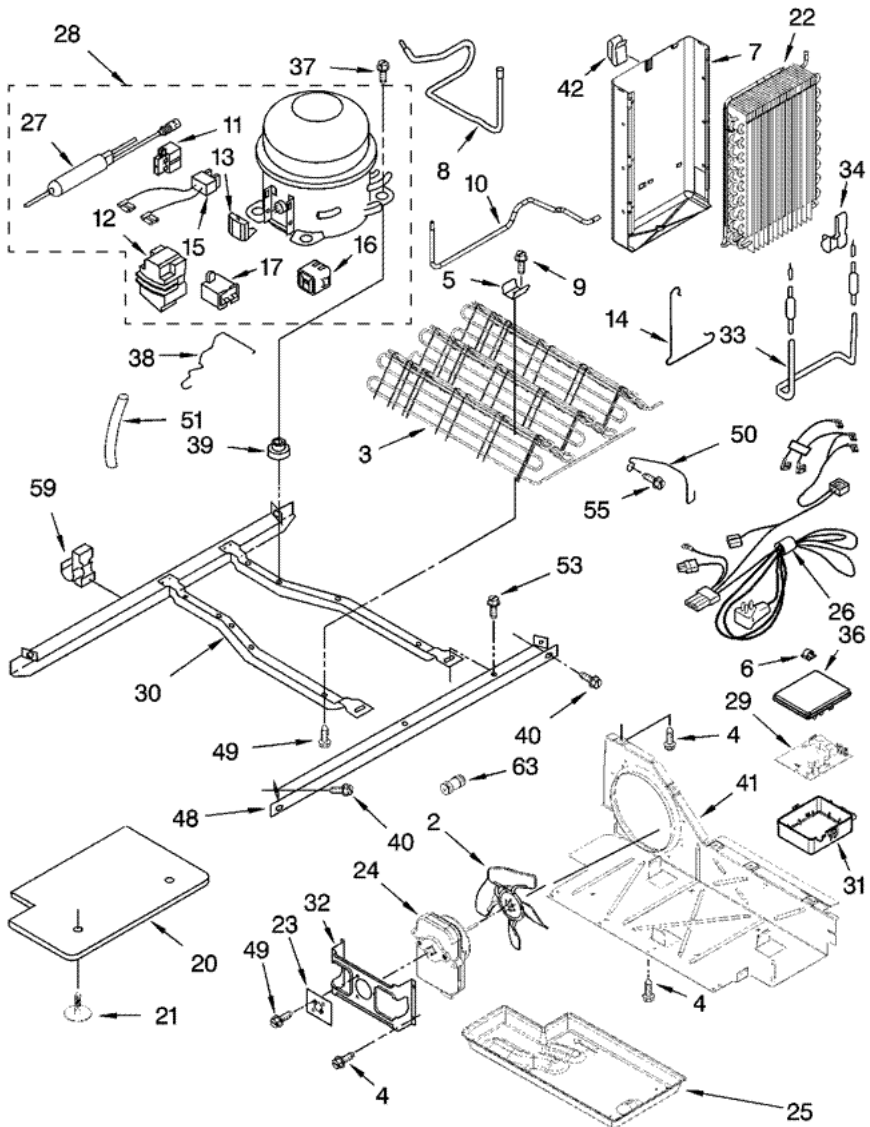
1	*****	HOUSING, DISPENSER (NOT SERVICED)
2	3196537	SCREW (S/P)
3	2194719	RETAINER, LEVERS
4	W10224328	SPRING, TORSION (S/P)
5	2196195	PIN (S/P)
6	2180353	DOOR, ICE
7	8201649	DOOR MECHANISM ASSEMBLY
8	8201649	MECHANISM DELAY
9	2207048B	GRILLE, OVERFLOW (BLACK) (S/P)
9	2207048W	GRILLE, OVERFLOW (WHITE) (S/P)
10	8201537	WATER FITTING ASSEMBLY (S/P)
11	2255431B	LEVER, ICE DISPENSER (BLACK) (S/P)
11	2255431W	LEVER, ICE DISPENSER (WHITE) (S/P)
12	2180224	GUIDE, ICE
15	W10184871	BRACKET, CONTROL (S/P)
16	2304673	BRACKET, DISPENSER (S/P)
17	2255432B	LEVER, WATER DISPENSER (BLACK) (S/P)
17	2255432W	LEVER, WATER DISPENSER (WHITE) (S/P)
18	*****	SWITCH ASSEMBLY (NOT AVAILABLE ORDER 23)
19	*****	OVERLAY, FRONT (NOT AVAILABLE ORDER 23)
20	*****	LED DISPLAY WITH AUTO (NOT AVAILABLE ORDER 23)
21	*****	FRONT COVER, (NOT AVAILABLE, ORDER 23)
22	489000	SCREW (S/P)
23	W10130171	FRONT COVER ASS. (INCLUDES ITEMS 18, 19, 20 & 21) (BLACK) (S/P)
23	2252079W	FRONT COVER ASS. (INCLUDES ITEMS 18, 19, 20 & 21) (WHITE) (S/P)
25	2195051	STRAIN RELIEF (S/P)
27	2252127	SLEEVE, MECHANISM DISPLAY (S/P)

Distribuidor Autorizado

SurteRápido.com

Venta de Refacciones
Electrodomesticas

7GS2SHEXPL01 UNIT



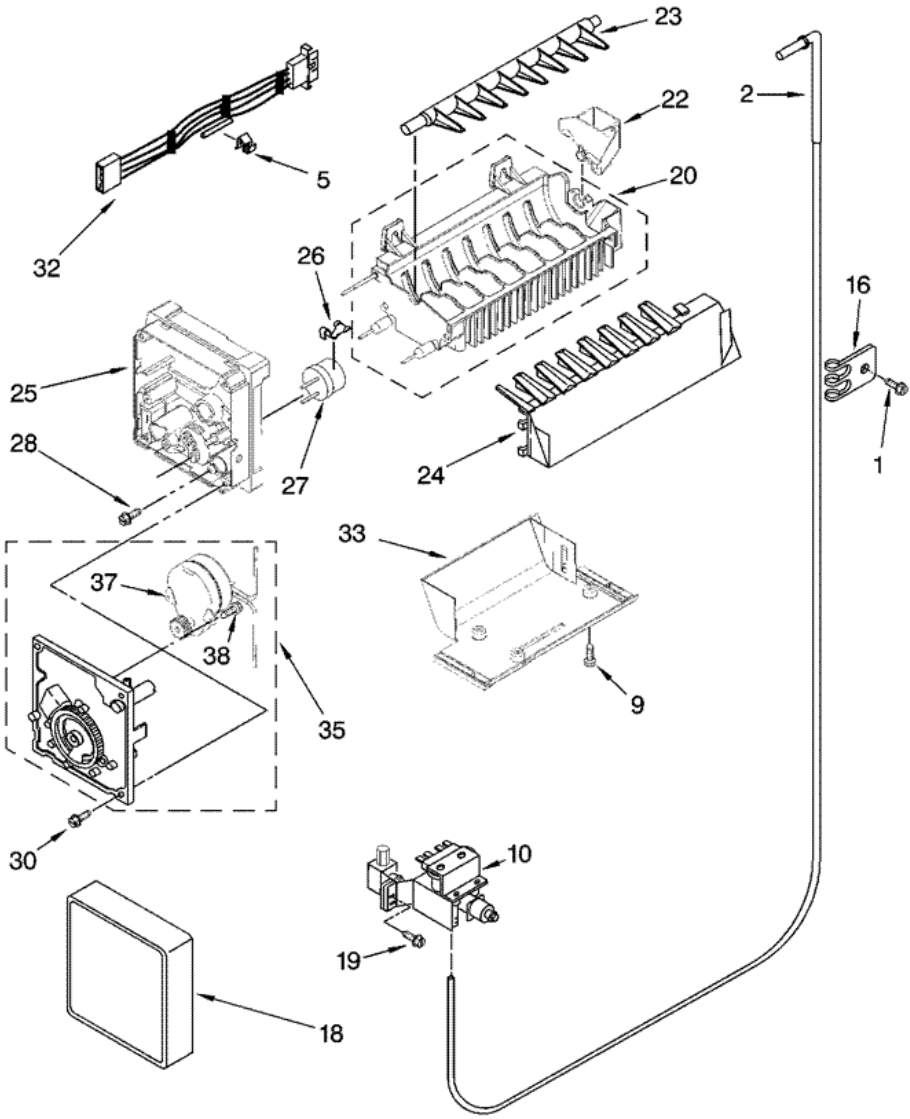


7GS2SHEXPL01 UNIT

2	8201630	FAN, BLADE (S/P)
3	W10121484	CONDENSER ASSEMBLY (S/P)
4	489464	SCREW (S/P)
5	2216914	CLIP, CONDENSER (S/P)
6	1115374	CLIP, WIRING (S/P)
7	2256149	HEAT SHIELD AND DRAIN PAN (S/P)
8	2205764	TUBE SUCTION (S/P)
9	8281232	SCREW (S/P)
10	2261599	TUBE, CONDENSER TO HEAT LOOP (S/P)
11	2262185	RELAY (SERVICE ONLY)
12	2162358	COVER (SERVICE ONLY) (S/P)
13	2187145	OVERLOAD (SERVICE ONLY) (S/P)
14	2161324	CLIP, DEFROST HEATER (S/P)
15	2172890	WIRE, CAPACITOR (SERVICE ONLY) (S/P)
16	W10189190	START-DEVICE, COMBINATION (S/P)
17	2169373	CAPACITOR (PRODUCTION)
20	2182057	UNIT COVER, BOTTOM (S/P)
21	489396	CLIP (S/P)
22	2188822	EVAPORATOR (S/P)
23	2216997	BRACKET, INSERT (S/P)
24	W10124096	MOTOR, FAN (S/P)
25	842041	TRAY, EVAPORATOR (S/P)
26	2187739	HARNESS, UNIT (S/P)
27	4387019	DRIER (SERVICE) (S/P)
27	4387019	DRIER (PRODUCTION) (S/P)
28	W10309990	COMPRESSOR (S/P)
29	2304095	ELECTRONIC CONTROL
30	2304903	FRAME, UNIT MOUNTING (S/P)
31	2255623	CONTROL BOX (S/P)
32	2181929	BRACKET, FAN MOTOR (S/P)
33	2188174	HEATER, DEFROST (S/P)
34	2161330	CLIP DESCONTINUADO
36	W10133000	COVER (S/P)

37	489373	SCREW (S/P)
38	2255199	CLIP, RETAINING (S/P)
39	4388295	GROMMET (4) (PRODUCTION) (S/P)
39	4387558	GROMMET (4) (SERVICE) (S/P)
40	489340	SCREW (S/P)
41	2196202	AIR BAFFLE (S/P)
42	2155547	CLIP, HEAT DESCONTINUADO
48	2149718	UNIT MOUNTING RAIL (S/P)
49	8281160	SCREW (S/P)
50	2186496	GUARD, FAN (S/P)
51	2162499	SLEEVE (S/P)
53	489427	SCREW (S/P)
55	489478	SCREW (S/P)
59	W10169512	CLIP, WIRE & TUBE (S/P)
63	4373559	CONNECTOR, WATER TUBE (S/P)
63	*****	REFRIGERANT CHARGE 5.0 OZ. (R-134) (S/P)
63	978025	VALVE, ACCESS (1/4") (S/P)
63	978027	VALVE, ACCESS (3/8") (S/P)
63	978028	VALVE, ACCESS (1/2") (S/P)
63	978026	VALVE, ACCESS (5/16") (S/P)
63	978030	VALVE, ACCESS (3/4") (S/P)
63	978029	VALVE, ACCESS (5/8") (S/P)
63	876764	VALVE, ACCESS (3/16") (S/P)

7GS2SHEXPL01 ICE MAKER

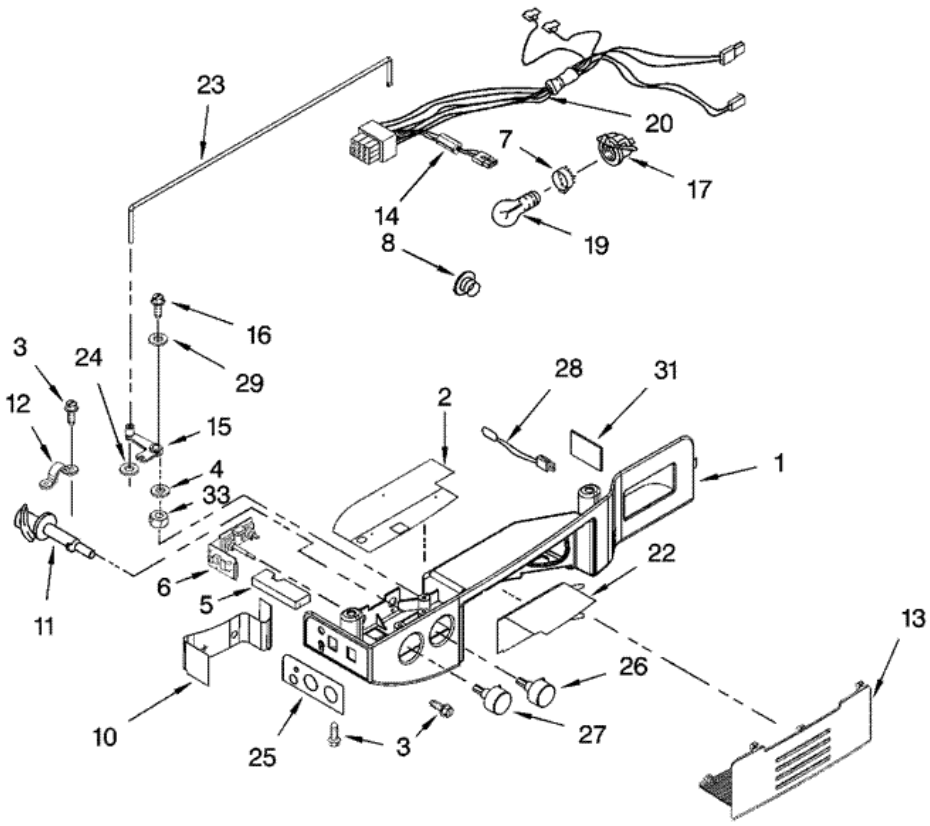




7GS2SHEXPL01 ICE MAKER

1	489084	SCREW (S/P)
2	2256096	FITTING, WATER TUBE (S/P)
5	628379	CLIP, FUSE (S/P)
9	489478	SCREW (S/P)
10	W10408180	FILTER VALVE (S/P)
16	488366	CLAMP, TUBE (S/P)
18	W10289690	COVER (S/P)
19	488649	SCREW (S/P)
20	W10122550	MOLD & HEATER ASSEMBLY (S/P)
22	628356	CUP-WATER FILL (S/P)
23	2212320	EJECTOR (S/P)
24	W10297245	ICE STRIPER (S/P)
25	2195914	SUPPORT (S/P)
26	2315522	RETAINER, THERMOSTAT (S/P)
27	627985	THERMOSTAT
28	8533917	SCREW (S/P)
30	489276	SCREW (S/P)
32	2187484	HARNESS, WIRING (S/P)
33	2212317	BRACKET, ICEMAKER MOUNTING (S/P)
35	W10190935	MODULE ASSEMBLY (INCLUDES ITEMS 37 & 38) (S/P)
37	*****	MOTOR (NOT SERVICEABLE, ORDER 35)
38	489136	SCREW (S/P)
100	W10190961	ICEMAKER ASSEMBLY (S/P)

7GS2SHEXPL01 CONTROL





7GS2SHEXPL01 CONTROL

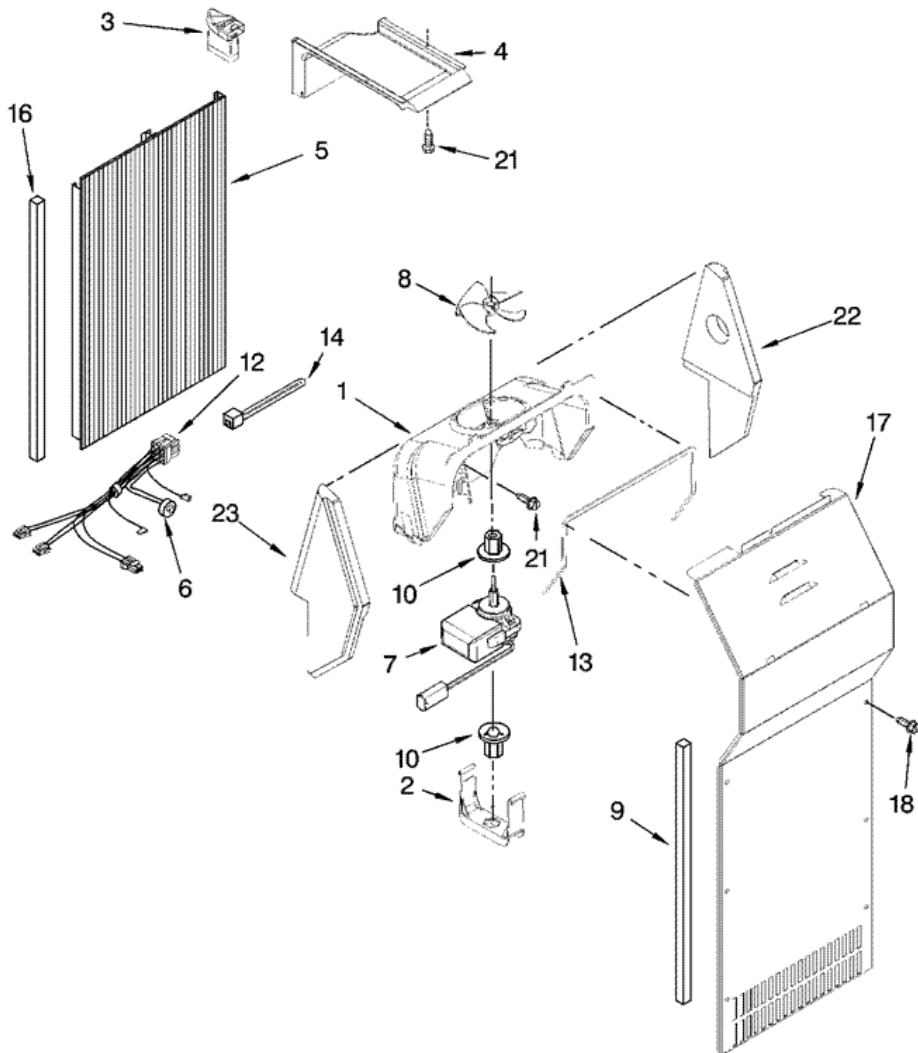
1	2255222	CONTROL BOX
2	2261773	SHIELD (S/P)
3	3196537	SCREW (4) (S/P)
4	3400972	WASHER (S/P)
5	2188928	FOAM, SHIELD (S/P)
6	2304103	ELECTRONIC CONTROL (S/P)
7	2175210	SHROUD, LIGHT (S/P)
8	940014	HOLE PLUG (S/P)
10	2305538	SHIELD, ELECTRICAL (S/P)
11	2255226	CAM ASSEMBLY (S/P)
12	2255413	BEARING BODY (S/P)
13	2255225	LIGHT LENS (S/P)
14	2308165	FERRITE BEAD (S/P)
15	2255227	PIVOT ARM (S/P)
16	627068	SCREW (S/P)
17	4387478	LIGHT SOCKET
19	2255743	LIGHT BULB (S/P)
20	2187965	CONTROL BOX HARNESS (S/P)
22	2255666	SHIELD, HEAT (S/P)
23	2255228	CONNECTING ROD (S/P)
24	489285	FASTENER, PUSH-ON (S/P)
25	2255611	ESCUTCHEON, CONTROL BOX (S/P)
26	2255232	KNOB, RC (S/P)
27	2255992	KNOB, FC (S/P)
28	2188819	THERMISTOR
29	489203	SPRING WASHER (S/P)
31	2261265	AIR SEAL, THERMISTOR (S/P)
33	3400971	NUT, HEX DESCONTINUADO

Distribuidor Autorizado

SurteRápido.com

Venta de Refacciones
Electrodomesticas

7GS2SHEXPL01 AIR FLOW





7GS2SHEXPL01 AIR FLOW

1	2182119	FAN SCROLL (S/P)
2	2155590	RETAINER, FAN MOTOR (S/P)
3	2198595	AIR SCOOP (S/P)
4	2212377	AIR DUCT, UPPER (S/P)
5	2212313	AIR DUCT FREEZER (S/P)
6	2319914	BI-METAL, DEFROST
7	4389144	FAN MOTOR
8	2169142	FAN BLADE (S/P)
9	2304241	GASKET, EVAPORATOR COVER (2) (S/P)
10	2176759	FAN GROMMET (2) (S/P)
12	W10129821	HARNES, FAN EVAPORATOR (INCLUDES 6) (S/P)
13	2155789	GASKET, FAN SCROLL (S/P)
14	W10339879	WIRE TIE (S/P)
16	4388500	GASKET (S/P)
17	W10207507	COVER, EVAPORATOR (INCLUDES 9) (S/P)
18	8281159	SCREW (6) (S/P)
21	489478	SCREW (S/P)
22	4388358	SUPPORT, R.S (S/P)
23	4388358	SUPPORT, L.S (S/P)