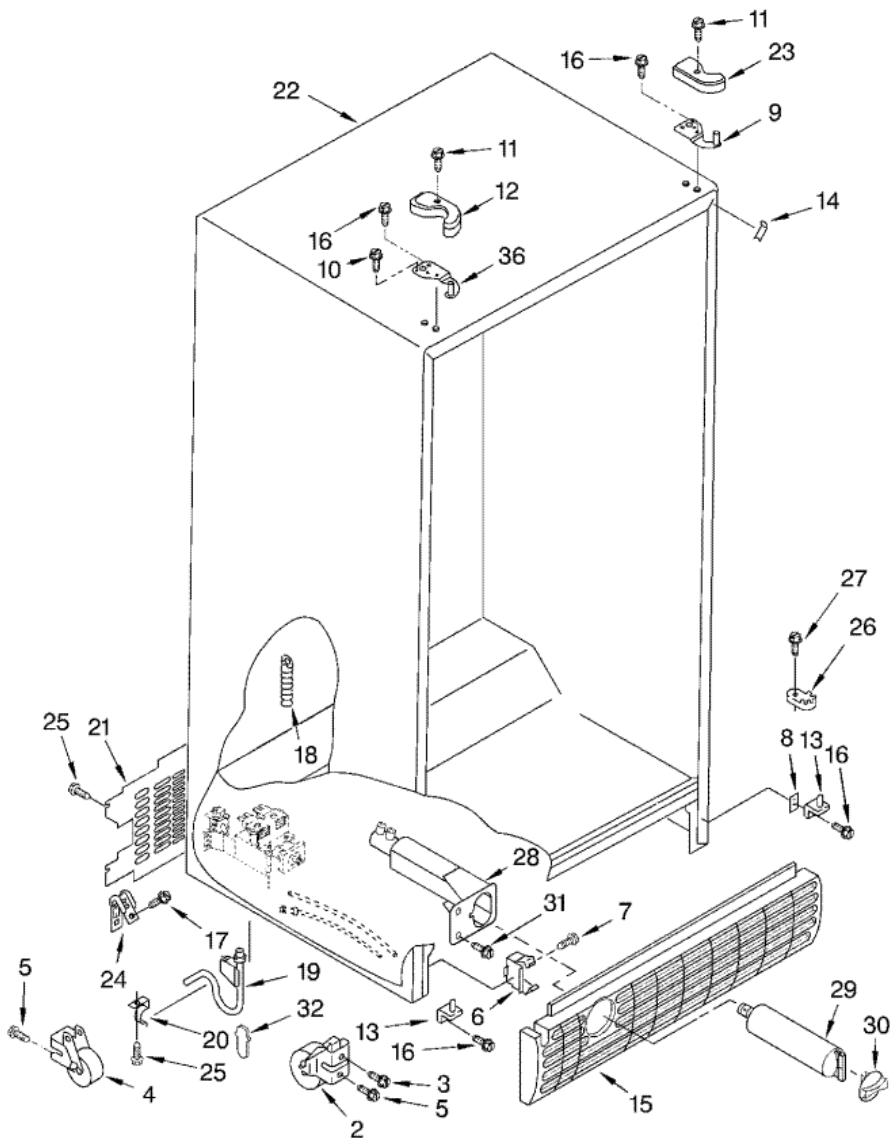


Distribuidor Autorizado

SurteRápido.com

Venta de Refacciones
Electrodomesticas

7GS6SHAXKB00 CABINET





7GS6SHAXKB00 CABINET

2	4386774	FRONT ROLLER (2)
3	3400517	SCREW (S/P)
4	2196236	ROLLER (REAR) (2) (S/P)
5	489427	SCREW (S/P)
6	2155013	CLIP, GRILLE (S/P)
7	489478	SCREW (S/P)
8	2209697	SHIM ((1)) (S/P)
8	2181911	SHIM ((2)) (S/P)
9	2203771	HINGE TOP (RC) (S/P)
10	8281149	SCREW (S/P)
11	8281227	SCREW (S/P)
12	2203407W	HINGE COVER (WHITE) (S/P)
12	2203407B	HINGE COVER (BLACK) (S/P)
12	2203407T	HINGE COVER (BISCUIT) (S/P)
13	8201707	HINGE BOTTOM (2) (S/P)
14	2196094	FILLER, WRAPPER (WHITE) (S/P)
14	2196097	FILLER, WRAPPER (BLACK) (S/P)
14	2196150	FILLER, WRAPPER (BISCUIT) (S/P)
15	2198468B	GRILLE (BLACK) (S/P)
15	2198468T	GRILLE (BISCUIT) (S/P)
15	2198468W	GRILLE (WHITE) (S/P)
16	489497	SCREW (S/P)
17	489464	SCREW (S/P)
18	2304888	DRAIN FITTING (S/P)
19	2304937	EXTENSION TUBE (S/P)
20	1108439	CLIP, DRAIN TUBE (S/P)
21	2188755	COVER, UNIT (S/P)
22	****	CABINET (NOT A SERVICEABLE PART) (S/P)
23	2203408B	HINGE COVER (BLACK) (S/P)
23	2203408T	HINGE COVER (BISCUIT) (S/P)
23	2203408W	HINGE COVER (WHITE) (S/P)
24	3196256	CLAMP, SERVICE CORD (S/P)
25	489084	SCREW (S/P)

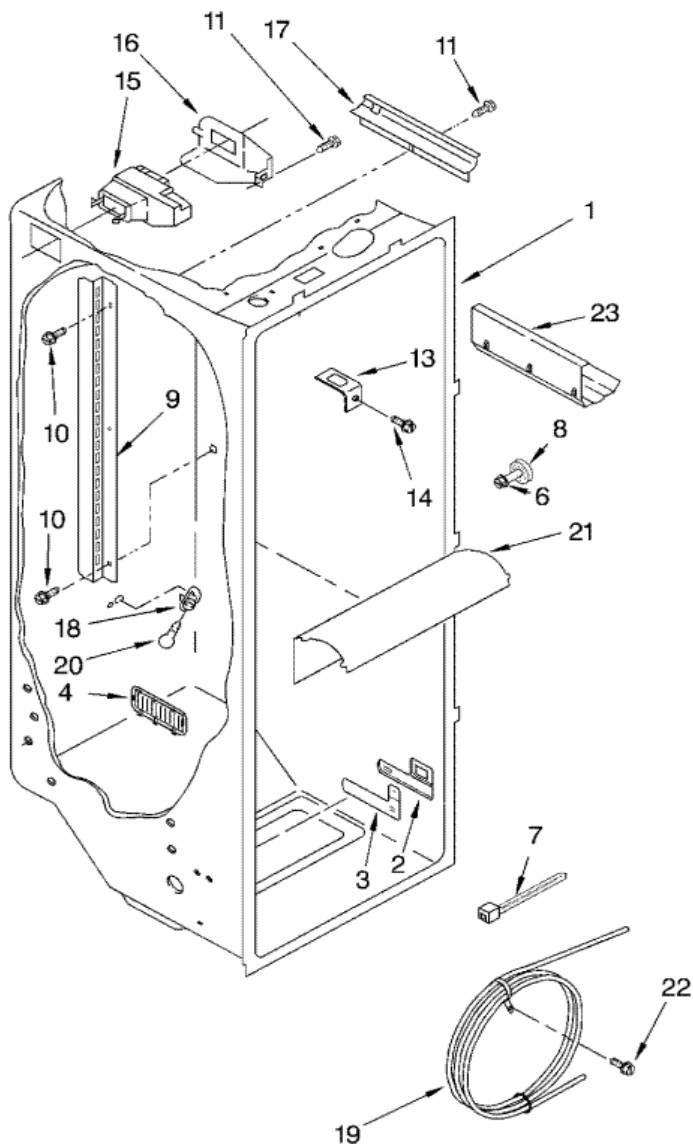
26	2155311	DOOR CLOSER, LOWER CAM (2)
27	489483	SCREW (S/P)
28	2186443	HOUSING, WATER FILTER (S/P)
29	4392857	WATER FILTER
30	2186494B	CAP, WATER FILTER (BLACK) (S/P)
30	2186494T	CAP, WATER FILTER (BISCUIT) (S/P)
30	2186494W	CAP, WATER FILTER (WHITE) (S/P)
31	489500	SCREW (S/P)
32	2172957	FLAPPER, DRAIN EXTENSION (S/P)
36	2203770	HINGE TOP (FC) (S/P)

Distribuidor Autorizado

SurteRápido.com

Venta de Refacciones
Electrodomesticas

7GS6SHAXKB00 REFRIGERATOR LINER

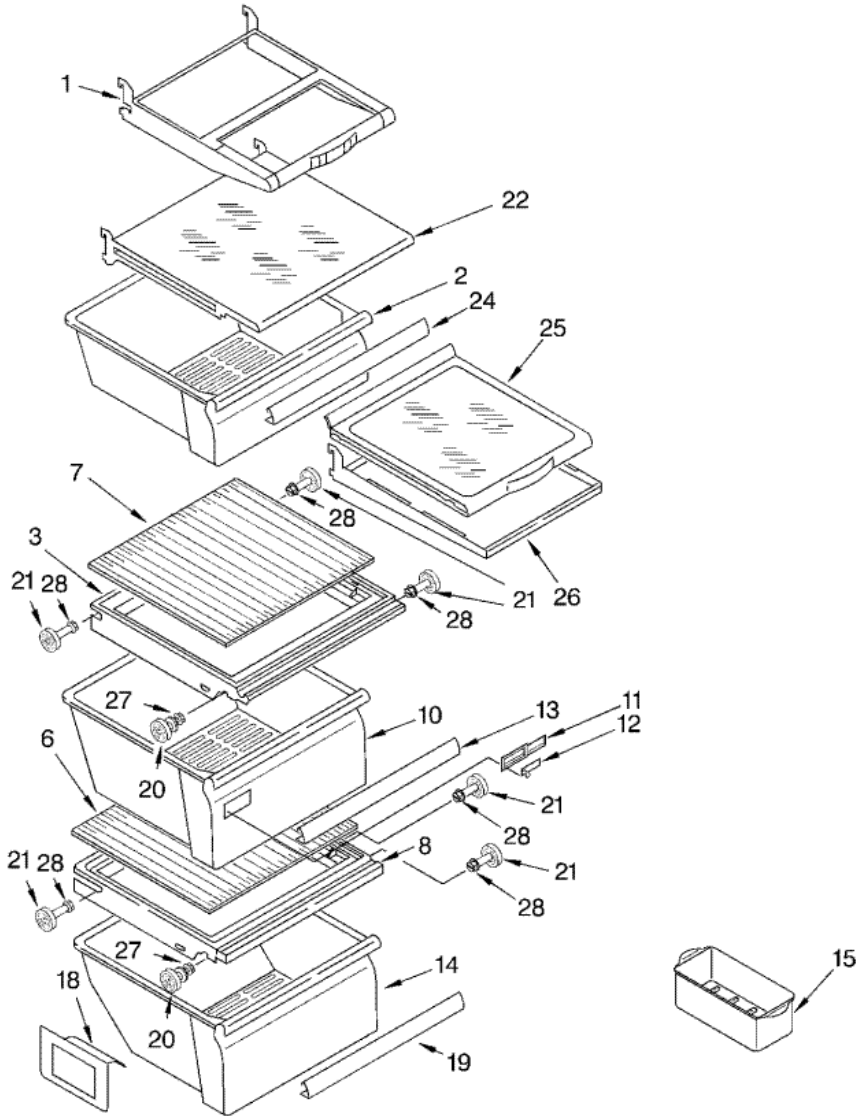




7GS6SHAXKB00 REFRIGERATOR LINER

1	****	LINER (NOT A SERVICEABLE PART) (S/P)
2	2194744	ESCUTCHEON, MEAT PAN CONTROL (S/P)
3	2182757	SLIDE MEAT PAN CONTROL (S/P)
4	8201651	LOUVER (S/P)
6	8281158	SCREW (S/P)
7	2205813	STRAP (S/P)
8	2196483	STUD ASSEMBLY (S/P)
9	2319866	SHELF LADDER (S/P)
10	487539	SCREW (S/P)
11	486298	SCREW (2) (S/P)
13	2256085	BRACKET RETAINER (S/P)
14	489290	SCREW (S/P)
15	2209754	AIR DIFFUSER ASSEMBLY (S/P)
16	2152019	AIR DIFFUSER COVER (S/P)
17	2150331	COVER, WIRING (S/P)
18	4387478	SOCKET
19	2256126	RESERVOIR (S/P)
20	527949	LIGHT BULB (S/P)
21	2254920	LIGHT LENS (S/P)
22	488280	SCREW (S/P)
23	2179404	RACK, WINE & EGG (S/P)

**7GS6SHAXKB0 REFRIGERATOR
 SHELF**

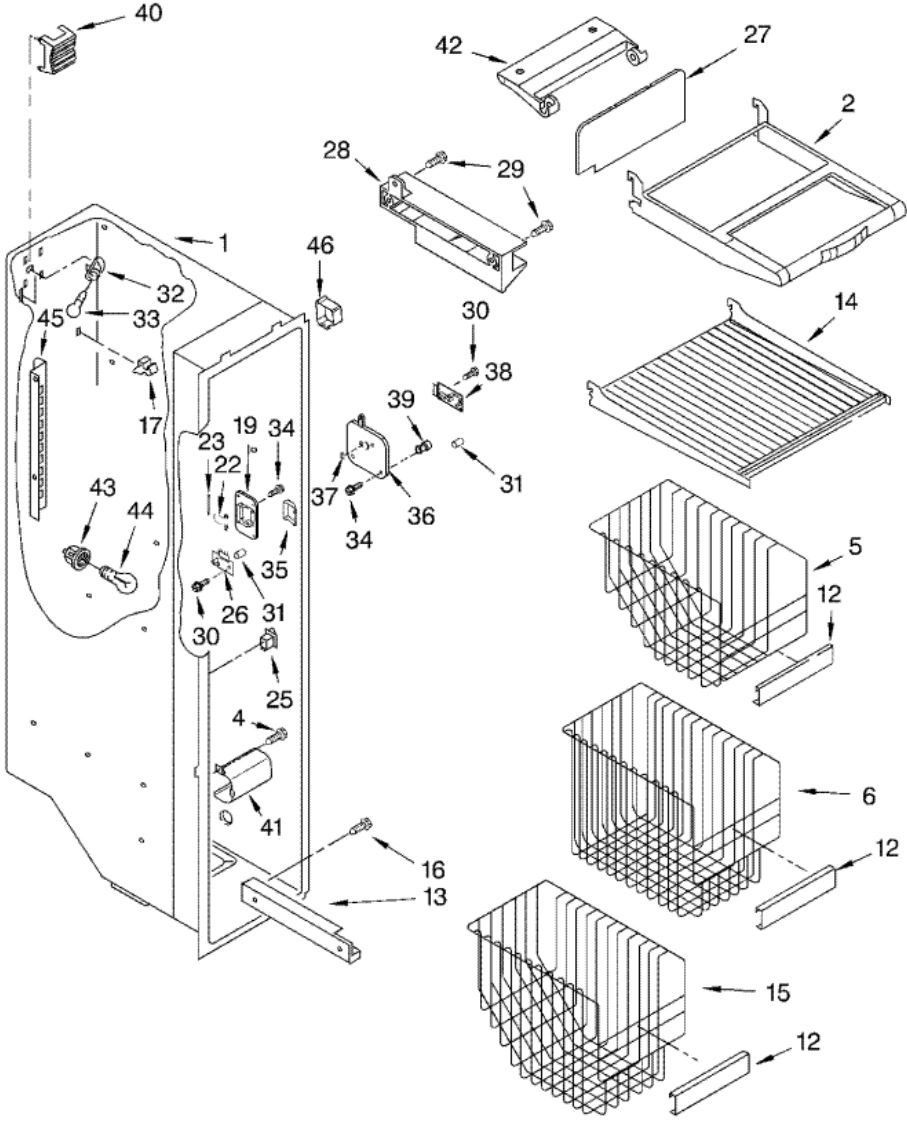




7GS6SHAXKB00 REFRIGERATOR SHELF

1	2204485	SHELF FLIP-UP (S/P)
2	2188655	SNACK BIN (S/P)
3	2209698	COVER, CRISPER (S/P)
6	2179259	GLASS, MEAT COVER (S/P)
7	2174150	GLASS, COVER (S/P)
8	2217039	DESCONTINUADO
10	2188656	CRISPER PAN (S/P)
11	2179343	FRONT, CRISPER PAN (S/P)
12	2179342	SLIDE, HUMIDITY CONTROL (S/P)
13	2179234	TRIM, HANDLE (S/P)
14	2188664	MEAT PAN (S/P)
15	2216624K	EGG BIN (S/P)
18	2179350	DEFLECTOR (S/P)
19	2194906	TRIM, HANDLE (S/P)
20	2196485	STUD ASSEMBLY (S/P)
21	2196483	STUD ASSEMBLY (S/P)
22	2206347	SHELF, SNACK BIN
24	2179243	TRIM, HANDLE (S/P)
25	2194736	SHELF (S/P)
26	2195975	FRAME, SHELF (S/P)
27	3400894	SCREW (S/P)
28	8281158	SCREW (S/P)

7GS6SHAXKB00 FREEZER LINER



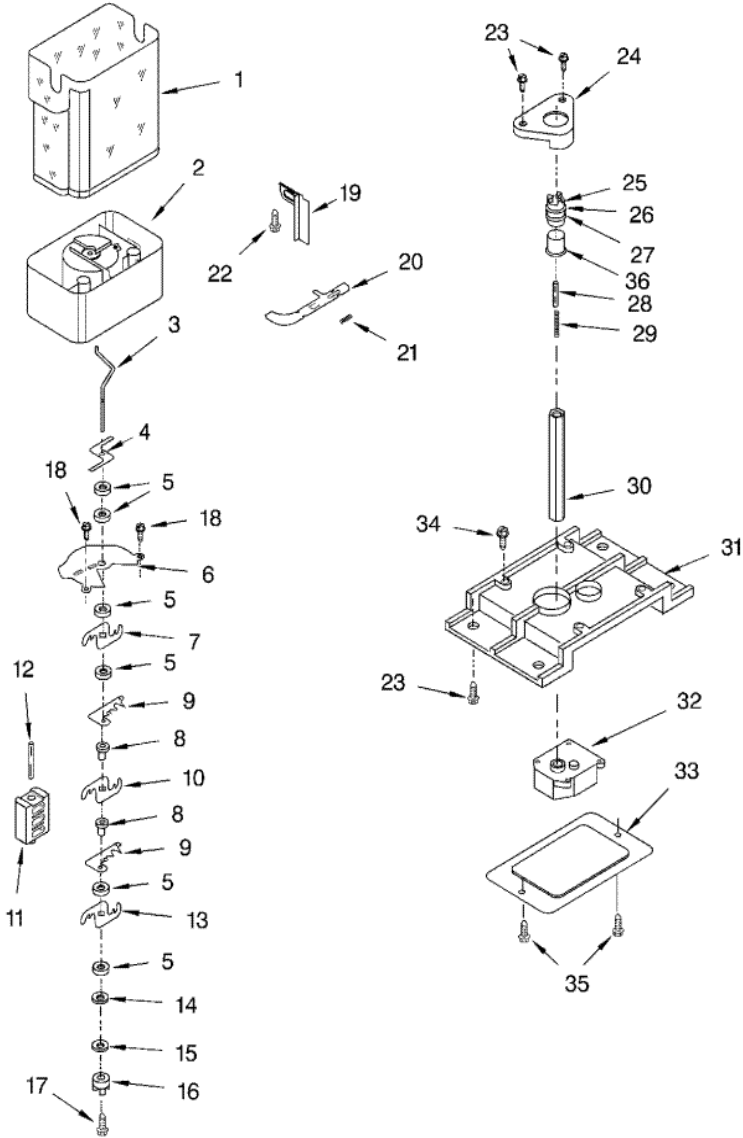


7GS6SHAXKB00 FREEZER LINER

1	****	DESCONTINUADO
2	2204486K	SHELF FLIP-UP (S/P)
4	3400893	SCREW (S/P)
5	2301189	BASKET (S/P)
6	2301190	BASKET, TALL (S/P)
12	2195905	TRIM, BASKET (S/P)
13	8201602	SHELF TRACK (LEFT SIDE) (S/P)
14	2205837K	SHELF (S/P)
15	2301191	BASKET (S/P)
16	486298	SCREW (8) (S/P)
17	842534	CLIP, AIR DUCT (2) (S/P)
19	2198587	COVER, EMITTER (S/P)
22	2198635	SPRING (S/P)
23	2198634	PIN (S/P)
25	4387911	SWITCH, ROCKER ARM (S/P)
26	4389102	P.C. BOARD EMITTER
27	2198642	COVER, ICE MAKER (S/P)
28	2212321	SLIDE, ICE MAKER MOUNTING (S/P)
29	489478	SCREW (S/P)
30	489214	SCREW (S/P)
31	2198665	TUBE, P.C. BOARD (S/P)
32	4387478	LIGHT SOCKET
33	527949	LIGHT BULB (S/P)
34	8281185	SCREW (S/P)
35	2198633	FLIPPER (S/P)
36	2198588	COVER, RECEIVER (S/P)
37	2198637	SLIDE, ICE MAKER SHUT OFF (S/P)
38	4389102	P.C. BOARD, RECEIVER
39	2198643	LENS (S/P)
40	2302848	LIGHT SHIELD (S/P)
41	4389127	LIGHT LENS (S/P)
42	2198641	BRACKET, ICE MAKER COVER (S/P)
43	2155597	SOCKET, LIGHT (S/P)

44	527949	LIGHT BULB (S/P)
45	2198609	LADDER (LEFT SIDE) (S/P)
45	2198610	LADDER (RIGHT SIDE) (S/P)
46	2219878	SHIELD, WIRING (S/P)

**7GS6SHAXKB00 MOTOR AND ICE
CONTAINER**

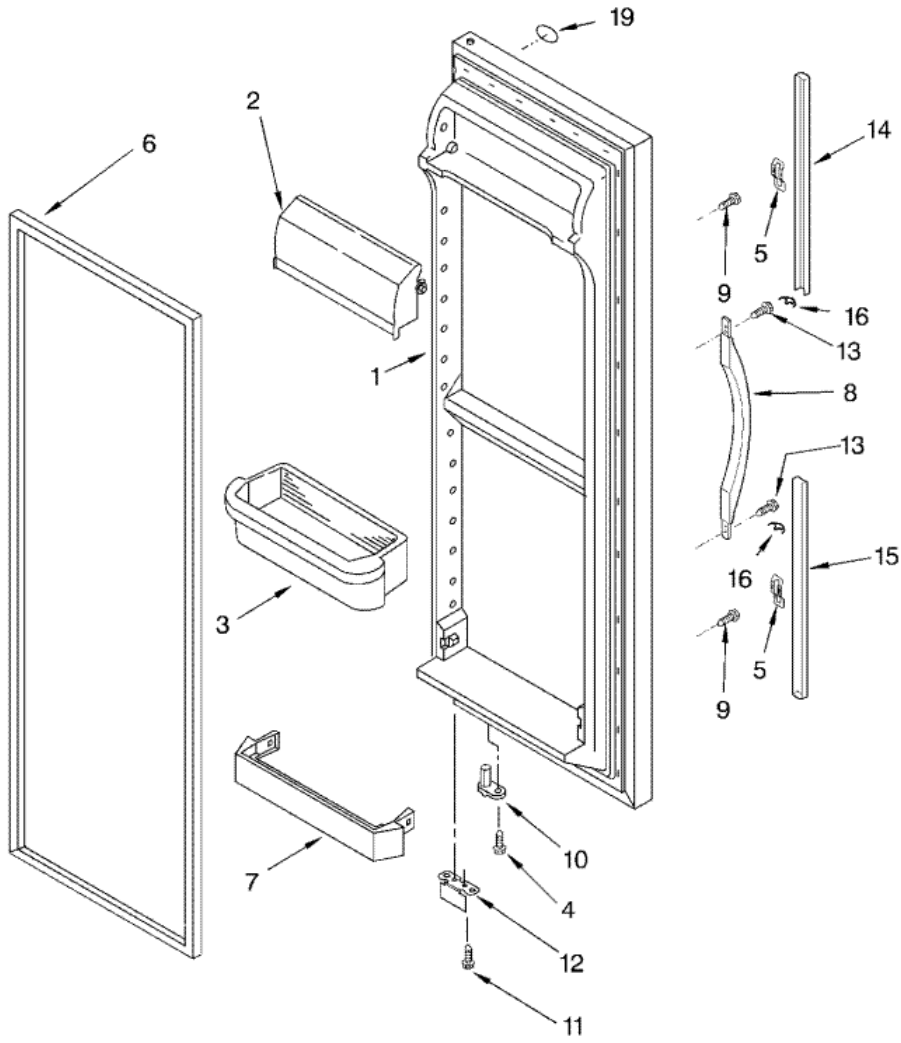




7GS6SHAXKB00 MOTOR AND ICE CONTAINER

1	2198573	ICE BIN (S/P)
2	2212367	CRUSHER BIN (S/P)
3	2211590	AUGER
4	2257021	BLADE, STIRRING
5	1119007	SPACER, FLAT (6)
6	2255460	COVER, CRUSHER (S/P)
7	2257024	BLADE, ROTARY
8	1119005	SPACER, STEP (2)
9	2257020	BLADE, FIXED
10	2257023	BLADE, ROTARY (S/P)
11	2198602	BLOCK, BLADE
12	489229	ROLL PIN
13	2257022	BLADE, ROTARY
14	489235	WASHER, PLAIN
15	2198661	WASHER, COUPLING
16	2220457	COUPLING
18	3400065	SCREW
19	2315403	BUTTON, BIN (S/P)
20	2256015	LATCH, BIN (S/P)
21	2198608	SPRING, LATCH (S/P)
22	2198671	SCREW (2) (S/P)
24	2212369	HOLDER (S/P)
25	2220458	COUPLING, BOTTOM (S/P)
26	2198628	SEAL (S/P)
27	2212370	WASHER (S/P)
28	2198666	PIN (S/P)
29	2198607	SPRING (S/P)
30	999536	DRIVE SHAFT (S/P)
31	2198655	BRACKET, MOTOR (S/P)
32	2188869	DISPENSER, MOTOR
33	2198626	COVER (S/P)
35	489478	SCREW (S/P)
36	2212365	SLEEVE, COUPLING (S/P)

7GS6SHAXKB00 REFRIGERATOR DOOR

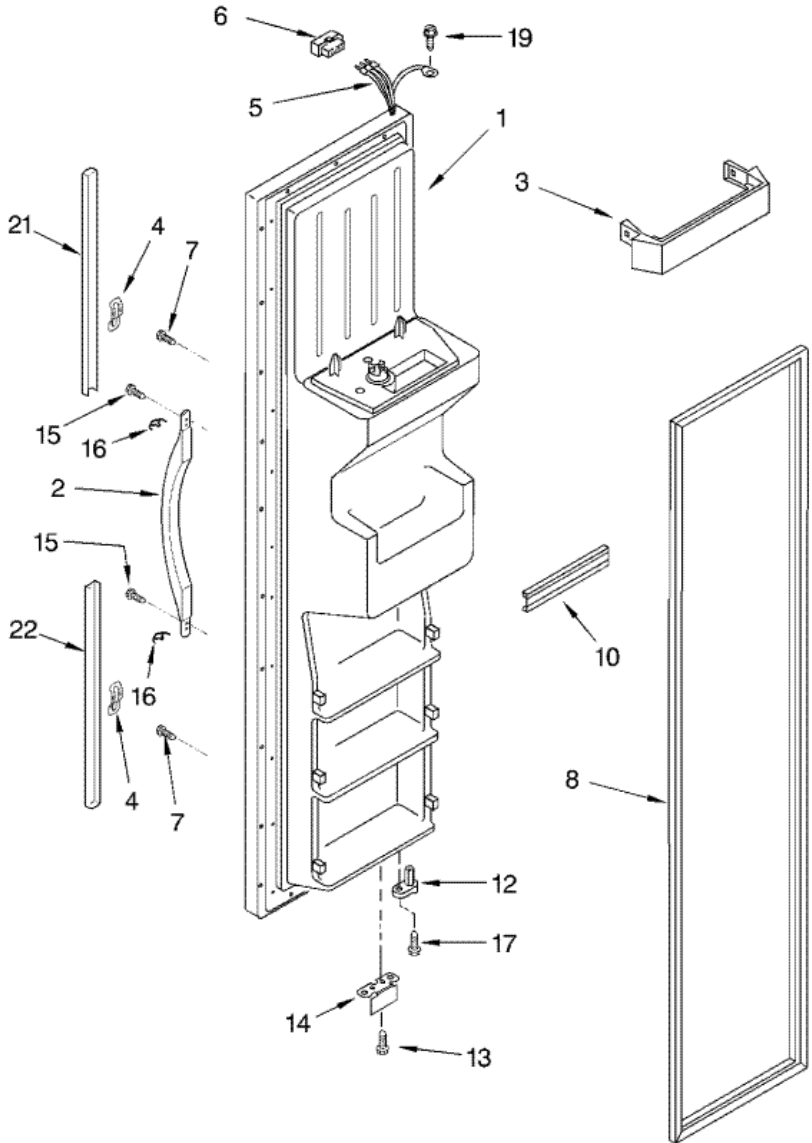




7GS6SHAXKB00 REFRIGERATOR DOOR

1	L2207026B	REFRIGERATOR DOOR (BLACK) (S/P)
1	L2207026SB	REFRIGERATOR DOOR (STAINLESS BLACK) (S/P)
1	L2207026T	REFRIGERATOR DOOR (BISCUIT) (S/P)
1	L2207026W	REFRIGERATOR DOOR (WHITE) (S/P)
2	2256101	COMPARTMENT DOOR (S/P)
3	2304235	SHELF BIN (3) (S/P)
5	2195327	CLIP (S/P)
6	2159083	DOOR GASKET, MAGNETIC (BLACK) (S/P)
6	2159075	DOOR GASKET, MAGNETIC (MIST BEIGE) (S/P)
7	2156022	SHELF BIN (S/P)
8	4388974	HANDLE (BLACK) (S/P)
8	4388973	HANDLE (BISCUIT) (S/P)
8	4388975	HANDLE (TEMPEST GREY) (S/P)
8	4388972	HANDLE (WHITE) (S/P)
9	3400852	SCREW (4) (S/P)
10	2182179	DOOR CLOSER, UPPER CAM (S/P)
11	489420	SCREW (S/P)
12	2200082	BRACKET, DOOR STOP (CHROME) (S/P)
12	2200082B	BRACKET, DOOR STOP (BLACK) (S/P)
14	4388974	TRIM, DOOR-TOP (BLACK) (S/P)
14	4388973	TRIM, DOOR-TOP (BISCUIT) (S/P)
14	4388975	TRIM, DOOR-TOP (TEMPEST GREY) (S/P)
14	4388972	TRIM, DOOR-TOP (WHITE) (S/P)
15	4388974	TRIM, DOOR-BOTTOM (BLACK) (S/P)
15	4388975	TRIM, DOOR-BOTTOM (TEMPEST GREY) (S/P)
15	4388973	TRIM, DOOR-BOTTOM (BISCUIT) (S/P)
15	4388972	TRIM, DOOR-BOTTOM (WHITE) (S/P)
16	2207010SN	JEWELRY, HANDLE (SATIN NICKLE) (S/P)
16	2207010G	JEWELRY, HANDLE (GOLD) (S/P)
19	2212547	NAMEPLATE (WHITE) (S/P)
19	2212549	NAMEPLATE (BLACK) (S/P)
19	2212548	NAMEPLATE (BISCUIT) (S/P)
19	2220055	NAMEPLATE (GOLD) (S/P)

7GS6SHAXKB00 FREEZER DOOR

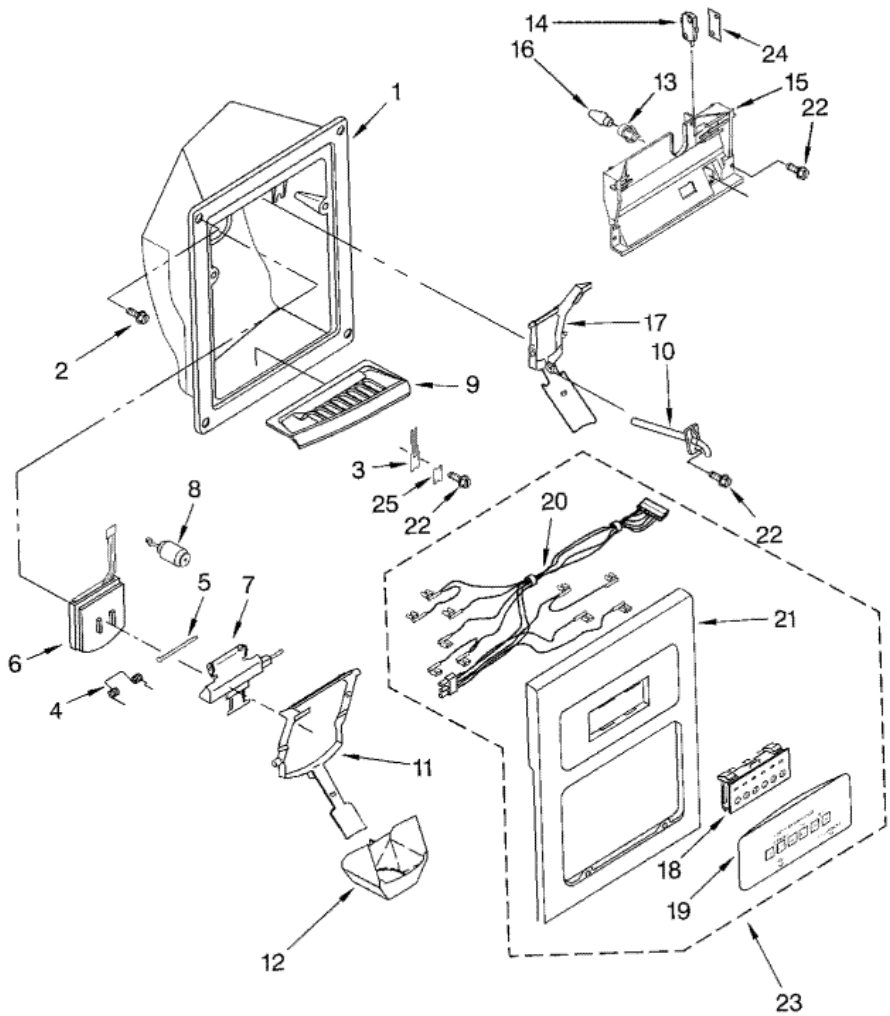




7GS6SHAXKB00 FREEZER DOOR

1	L2216058B	FREEZER DOOR (BLACK) (S/P)
1	L2216058W	FREEZER DOOR (WHITE) (S/P)
1	L2216058SB	FREEZER DOOR (STAINLESS BLACK) (S/P)
1	L2216058T	FREEZER DOOR (BISCUIT) (S/P)
2	4388974	HANDLE (BLACK) (S/P)
2	4388973	HANDLE (BISCUIT) (S/P)
2	4388972	HANDLE (WHITE) (S/P)
3	2171157	SHELF BIN (4) (S/P)
4	2195327	CLIP (S/P)
5	2198619	DISPENSER HARNESS (S/P)
6	2154473	CONNECTOR (S/P)
7	3400852	SCREW (4) (S/P)
8	2159074	DOOR GASKET, MAGNETIC (MIST BEIGE) (S/P)
8	2159082	DOOR GASKET, MAGNETIC (BLACK) (S/P)
10	2219982K	TRIM, DOOR SHELF (S/P)
12	2182179	DOOR CLOSER, UPPER CAM (S/P)
13	489420	SCREW (S/P)
14	2200082	BRACKET, DOOR STOP (CHROME) (S/P)
14	2200082B	BRACKET, DOOR STOP (BLACK) (S/P)
15	489491	SCREW (4) (S/P)
16	2207010SN	JEWELRY, HANDLE (SATIN NICKLE) (S/P)
16	2207010G	JEWELRY, HANDLE (GOLD) (S/P)
17	3400012	SCREW (S/P)
19	8281149	SCREW (S/P)
21	4388974	TRIM, DOOR-TOP (BLACK) (S/P)
21	4388973	TRIM, DOOR-TOP (BISCUIT) (S/P)
21	4388972	TRIM, DOOR-TOP (WHITE) (S/P)
22	4388973	TRIM, DOOR-BOTTOM (BISCUIT) (S/P)
22	4388972	TRIM, DOOR-BOTTOM (WHITE) (S/P)
22	4388974	TRIM, DOOR-BOTTOM (BLACK) (S/P)

7GS6SHAXKB00 DISPENSER FRONT

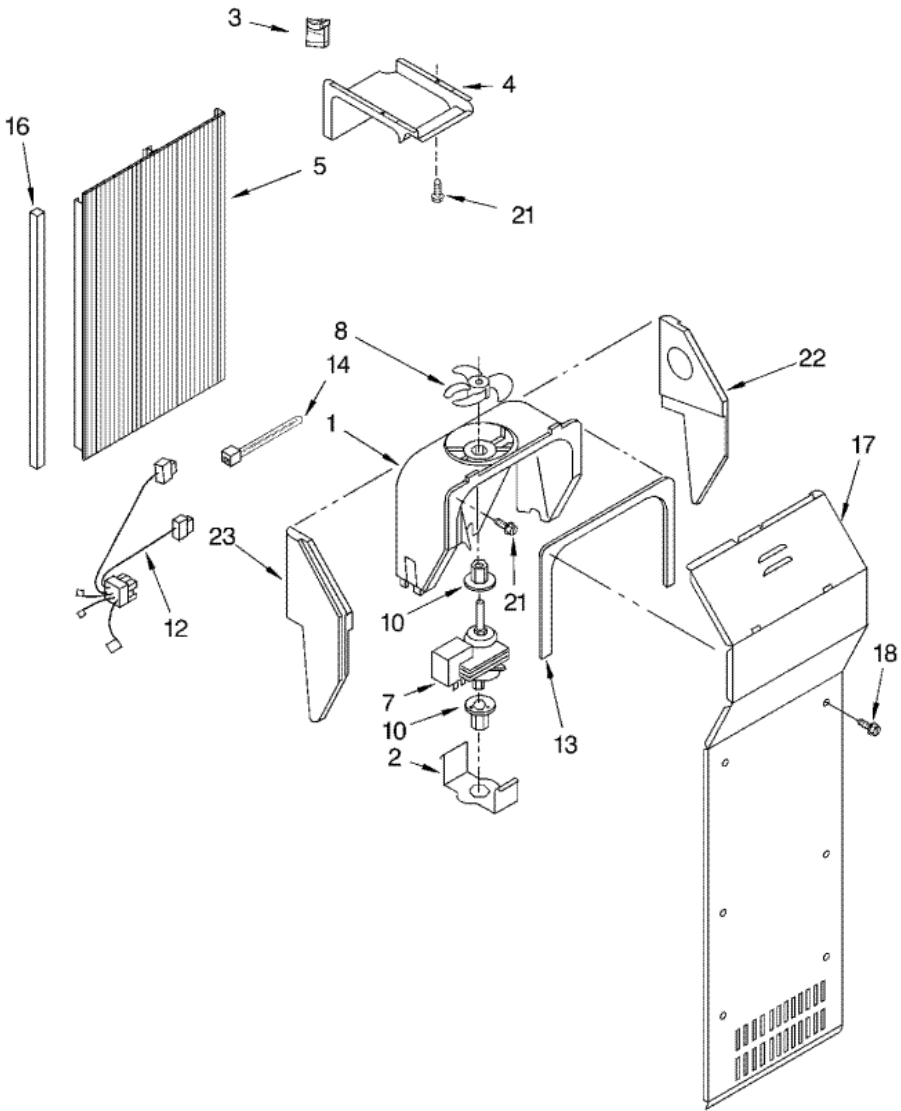




7GS6SHAXKB00 DISPENSER FRONT

1	****	DESCONTINUADO
3	2194719	RETAINER, LEVERS
4	2304772	SPRING, TORSION (S/P)
5	2196195	PIN (S/P)
6	2180353	DOOR, ICE
7	8201649	DOOR MECHANISM ASSEMBLY
8	8201649	MECHANISM DELAY
9	2207007T	GRILLE, OVERFLOW (BISCUIT) (S/P)
9	2207007W	GRILLE, OVERFLOW (WHITE) (S/P)
9	2207007B	GRILLE, OVERFLOW (BLACK) (S/P)
10	4388152	WATER FITTING ASSEMBLY
11	2203562T	LEVER, ICE DISPENSER (BISCUIT) (S/P)
11	2203562W	LEVER, ICE DISPENSER (WHITE) (S/P)
11	2203562B	LEVER, ICE DISPENSER (BLACK) (S/P)
12	2180224	GUIDE, ICE
13	2180200	LAMP HOLDER (S/P)
14	2162361	SWITCH (S/P)
15	2180226	BRACKET, CONTROL
16	17512	BULB, LIGHT (S/P)
17	2203561B	LEVER, WATER DISPENSER (BLACK) (S/P)
17	2203561W	LEVER, WATER DISPENSER (WHITE) (S/P)
17	2203561T	LEVER, WATER DISPENSER (BISCUIT) (S/P)
18	****	DESCONTINUADO
19	****	DESCONTINUADO
20	2187406	WIRE ASSEMBLY (S/P)
21	****	DESCONTINUADO
22	489000	SCREW (S/P)
23	2220044B	FRONT COVER ASSEMBLY (BLACK) (S/P)
23	2220044SB	FRONT COVER ASSEMBLY (STAINLESS BLACK) (S/P)
23	2220044T	FRONT COVER ASSEMBLY (BISCUIT) (S/P)
23	2220044W	FRONT COVER ASSEMBLY (WHITE) (S/P)
24	625834	SPACER, SWITCH (2) (S/P)
25	2195051	STRAIN RELIEF (S/P)

7GS6SHAXKB00 AIR FLOW





7GS6SHAXKB00 AIR FLOW

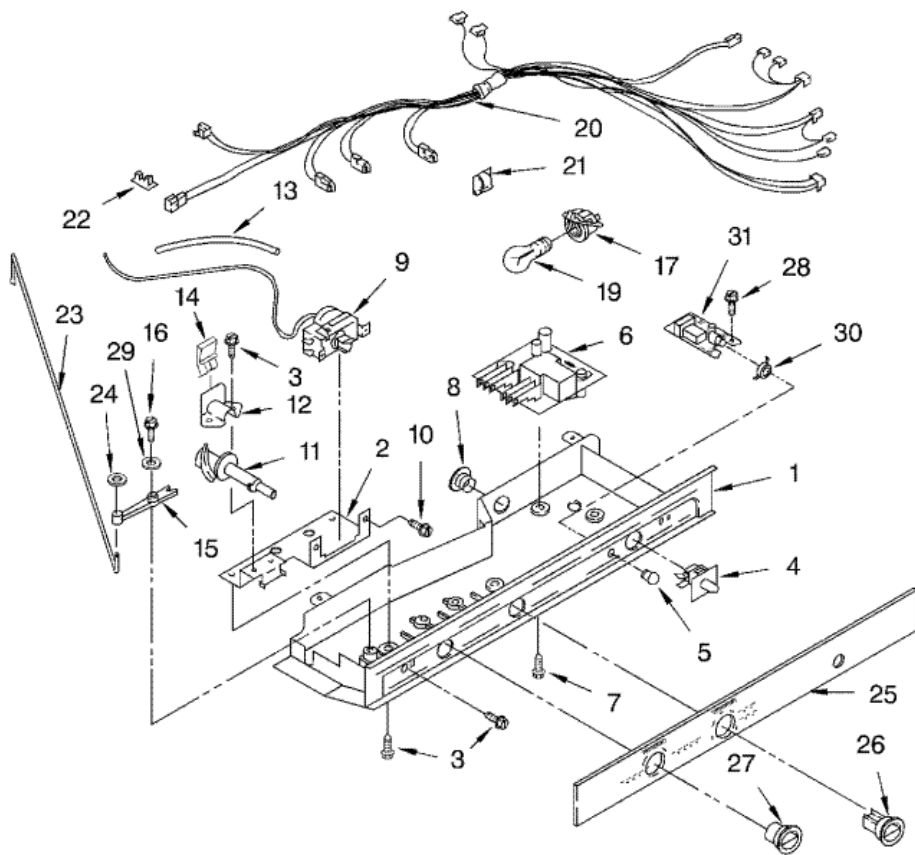
1	2182120	FAN SCROLL (S/P)
2	2155590	RETAINER FAN MOTOR (S/P)
3	2198595	AIR SCOOP (S/P)
4	2212377	AIR DUCT, UPPER (S/P)
5	2198580	AIR DUCT FREEZER (S/P)
7	4389144	FAN MOTOR
8	2169142	FAN BLADE (S/P)
10	2176759	FAN GROMMET (2) (S/P)
12	2206504	HARNESS, FAN EVAPORATOR AND HEATER (S/P)
13	2155789	GASKET, EVAPORATOR COVER (S/P)
14	3347868	STRAP (S/P)
16	4388500	GASKET (S/P)
17	2206314	COVER, EVAPORATOR (S/P)
18	489355	SCREW (6) (S/P)
21	489478	SCREW (S/P)
22	4388358	SUPPORT, R.S. (S/P)
23	4388358	SUPPORT, L.S. (S/P)

Distribuidor Autorizado

SurteRápido.com

Venta de Refacciones
Electrodomesticas

7GS6SHAXKB00 CONTROL





7GS6SHAXKB00 CONTROL

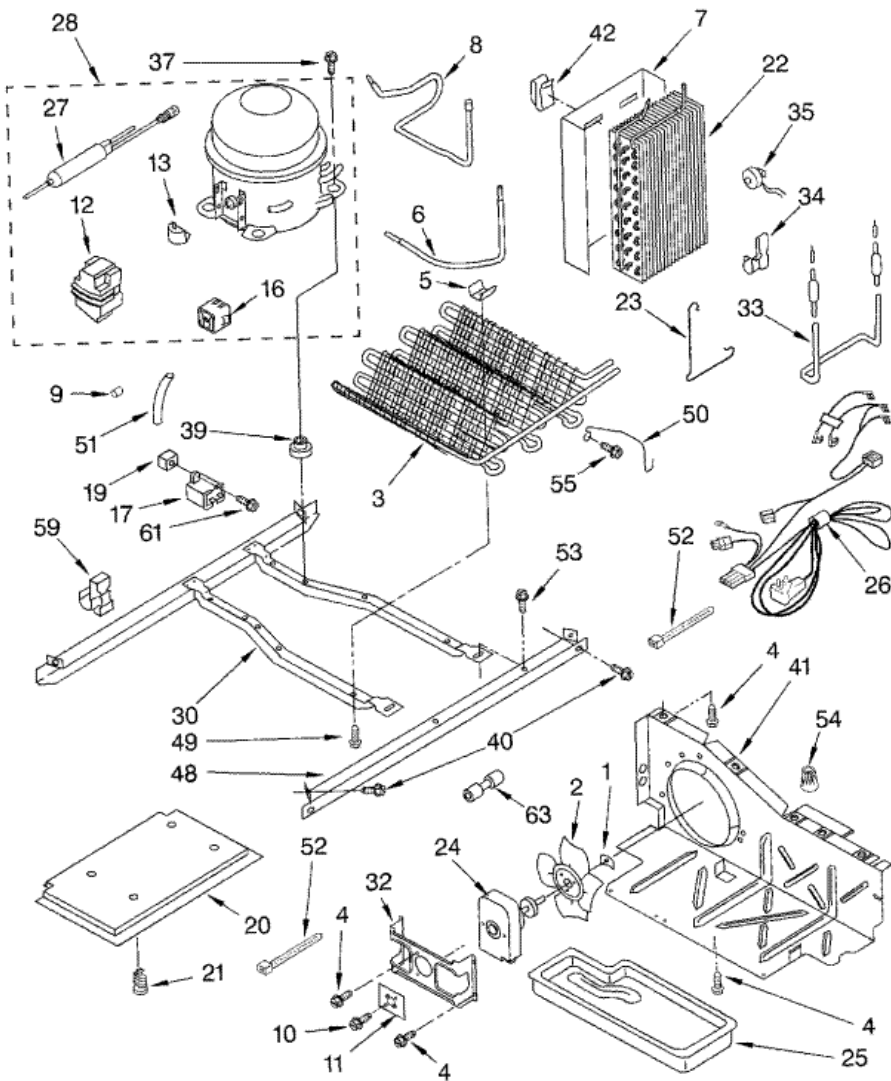
1	2200137	CONTROL BOX (S/P)
2	1110629	MOUNTING BRACKET (S/P)
3	3196537	SCREW (4) (S/P)
4	1116849	SWITCH, LIGHT
5	2200096	COVER, LIGHT LENS (S/P)
6	4388932	ADAPTIVE DEFROST CONTROL
7	489398	SCREW (2) (S/P)
8	940014	HOLE PLUG (S/P)
9	2198202	THERMOSTAT
10	487869	SCREW (S/P)
11	2182195	CAM ASSEMBLY (S/P)
12	1110560	BEARING BODY (S/P)
13	2196003	TUBE BARRIER (S/P)
14	2196062	CLIP, DAMPER CONTROL (S/P)
15	1110559	PIVOT ARM (S/P)
16	627068	SCREW (S/P)
17	4387478	LIGHT SOCKET
19	527949	LIGHT BULB (S/P)
20	2211318	CONTROL BOX HARNESS (S/P)
21	1115374	CLIP, WIRING (S/P)
22	1115375	CLIP, WIRING (S/P)
23	1123960	CONNECTING ROD (S/P)
24	489285	FASTNER, PUSH-ON (S/P)
25	2212073	ESCUTCHEON, CONTROL BOX (S/P)
26	2182111	THERMOSTAT KNOB (S/P)
27	2197871	KNOB, AIR CONTROL (S/P)
28	489214	SCREW (S/P)
29	489203	SPRING WASHER (S/P)
30	2200097	RETAINER, LIGHT LENS (S/P)
31	2203384	P.C. BOARD FILTER INDICATOR (S/P)

Distribuidor Autorizado

SurteRápido.com

Venta de Refacciones
Electrodomesticas

7GS6SHAXKB00 UNIT





7GS6SHAXKB00 UNIT

1	486692	SPEED NUT (S/P)
2	2190685	FAN, BLADE (S/P)
3	8201683	CONDENSER ASSEMBLY (S/P)
4	489464	SCREW (S/P)
5	2216914	CLIP, CONDENSER (S/P)
6	2211760	TUBE, CONDENSER TO HEAT LOOP (S/P)
7	2256150	HEAT SHIELD AND DRAIN PAN (S/P)
8	2205765	TUBE SUCTION (S/P)
9	2158826	DAMPENER (3) (S/P)
10	8281160	SCREW (S/P)
11	2216997	BRACKET, INSERT (S/P)
12	2162358	COVER (SERVICE COMPRESSOR ONLY) (S/P)
13	4387835	OVERLOAD (SERVICE COMPRESSOR ONLY) (S/P)
16	8201786	START-DEVICE, COMBINATION (S/P)
17	2169373	CAPACITOR ((PRODUCTION)) (S/P)
17	4387764	CAPACITOR ((SERVICE)) (S/P)
19	509812	SCREW GROMMET (S/P)
20	2304899	UNIT COVER, BOTTOM (S/P)
21	489396	CLIP (S/P)
22	2188823	EVAPORATOR (S/P)
23	2161324	CLIP (S/P)
24	833697	MOTOR, FAN
25	842041	TRAY, EVAPORATOR (S/P)
26	4389207	HARNESS, UNIT (S/P)
27	4387019	DRIER (S/P)
28	8201558	COMPRESSOR (S/P)
28	876765	TUBE KIT) (S/P)
30	2304904	UNIT MOUNTING FRAME (S/P)
32	2181929	BRACKET, FAN MOTOR (S/P)
33	2188175	HEATER, DEFROST
34	2161330	DESCONTINUADO
35	2319914	BI-METAL, DEFROST
37	489473	SCREW (S/P)

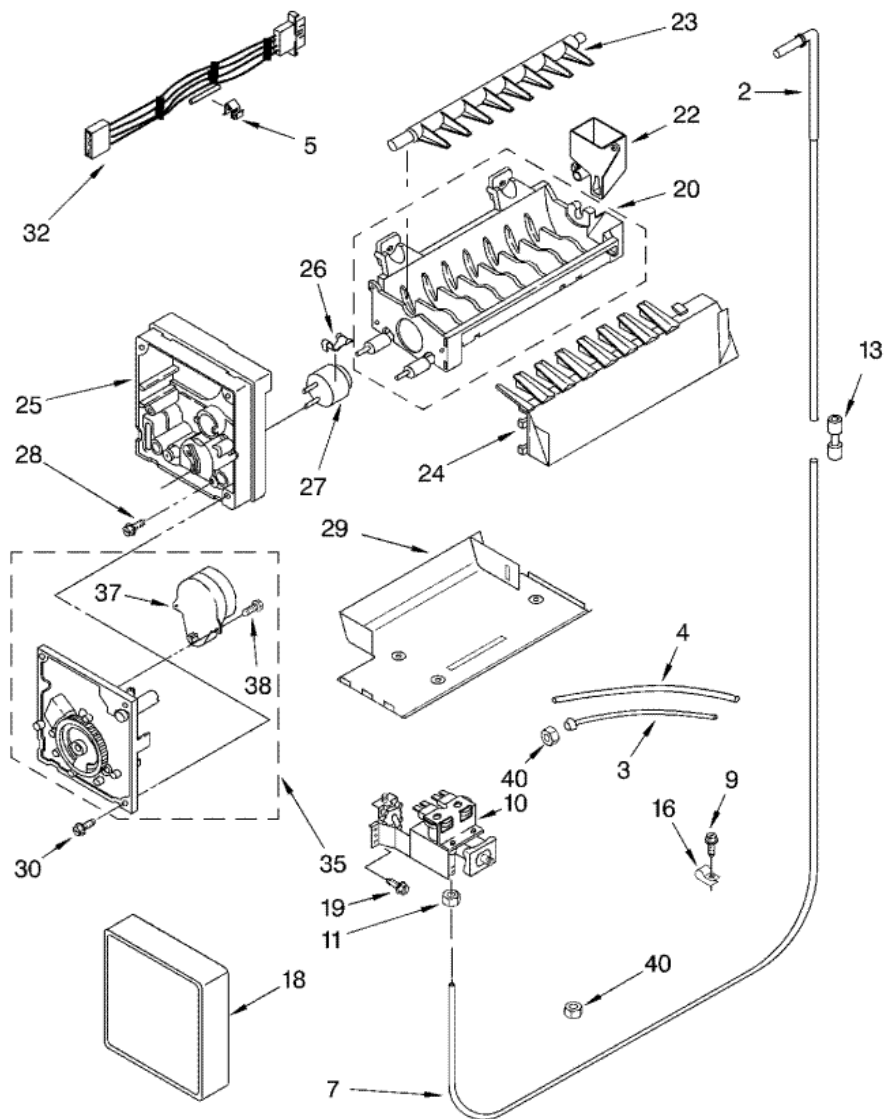
39	4388295	GROMMET (4) (S/P)
40	489340	SCREW (S/P)
41	2196202	AIR BAFFLE (S/P)
42	2155547	CLIP, HEAT (S/P)
48	2305374	UNIT MOUNTING RAIL (S/P)
49	8281232	SCREW (S/P)
50	2186495	GUARD, FAN (S/P)
51	2162499	SLEEVE (S/P)
52	3347868	WIRE TIE (S/P)
53	489427	SCREW (S/P)
54	227991	WIRE CONNECTOR (S/P)
55	489478	SCREW (S/P)
59	2208280	CLIP, WIRE & TUBE (S/P)
61	488687	SCREW (S/P)
63	4373559	UNION (S/P)
63	978025	VALVE, ACCESS (1/4") (S/P)
63	978027	VALVE, ACCESS (3/8") (S/P)
63	978028	VALVE, ACCESS (1/2") (S/P)
63	978026	VALVE, ACCESS (5/16") (S/P)
63	978029	VALVE, ACCESS (5/8") (S/P)
63	978030	VALVE, ACCESS (3/4") (S/P)
63	876764	VALVE, ACCESS (3/16") (S/P)

Distribuidor Autorizado

SurteRápido.com

Venta de Refacciones
Electrodomesticas

7GS6SHAXKB00 ICE MAKER





7GS6SHAXKB00 ICE MAKER

2	2256096	FITTING, WATER TUBE (S/P)
3	2255153	TUBE, FILTER OUTLET (S/P)
4	8201597	TUBE, FILTER INLET (S/P)
5	628379	CLIP, FUSE (S/P)
7	2256096	TUBE, WATER (S/P)
9	489478	SCREW (S/P)
10	4389177	VALVE, SOLENOID
11	627018	NUT, COMPRESSION (S/P)
13	2198677	CONNECTOR, WATER TUBE (S/P)
16	488366	CLAMP, TUBE (S/P)
18	2174358	COVER (S/P)
19	488649	SCREW (S/P)
20	628228	MOLD & HEATER ASSEMBLY (ALSO ORDER (S/P)
20	542638	SILICONE GREASE) (S/P)
22	628356	BEARING & INLET
23	627843	EJECTOR (S/P)
24	2198598	ICE STRIPPER (S/P)
25	2195914	SUPPORT (S/P)
26	2315522	RETAINER, THERMOSTAT (S/P)
27	627985	THERMOSTAT (ALSO ORDER
27	4317852	CEMENT ALUMILASTIC) (S/P)
28	489322	SCREW (S/P)
29	2212322	BRACKET, ICE MAKER MOUNTING (S/P)
30	489276	SCREW (S/P)
32	2187630	HARNESS, WIRING (S/P)
35	628366	MODULE ASSEMBLY (INCLUDES ITEMS 37 & 38)
37	628366	MOTOR
38	489136	SCREW (S/P)
40	4318011	NUT, COMPRESSION (S/P)