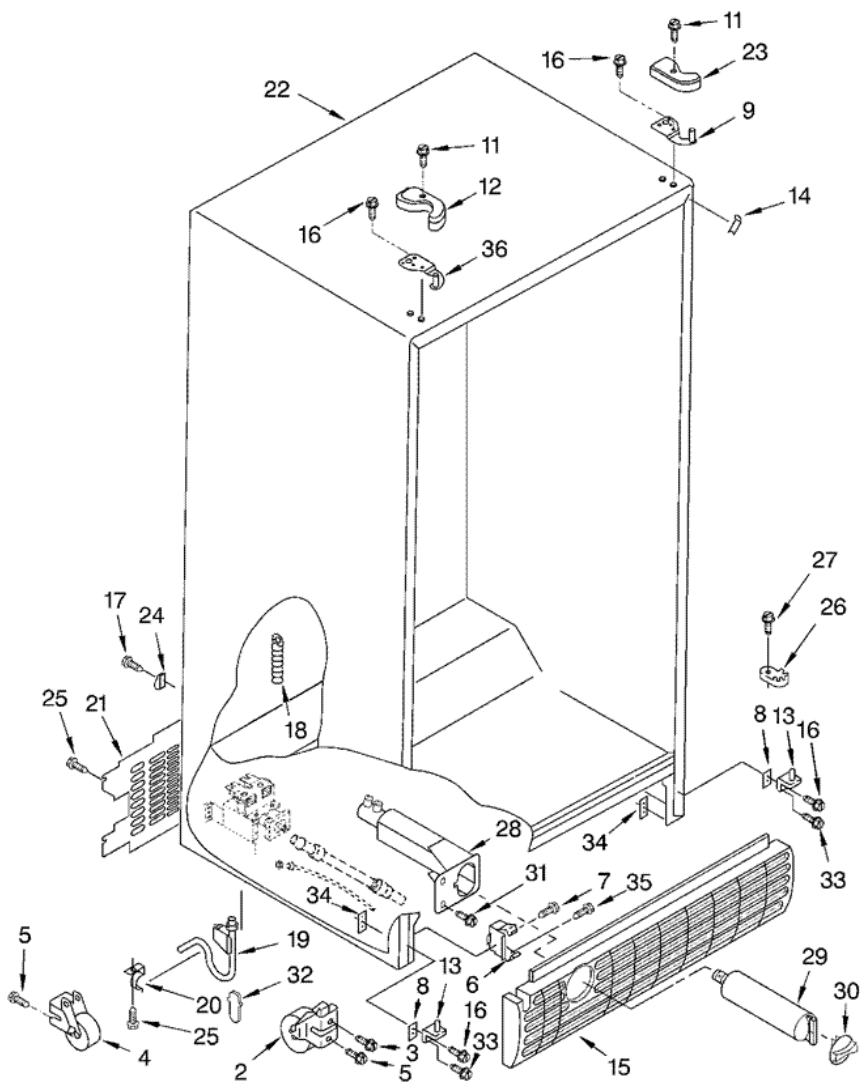


Distribuidor Autorizado

SurteRápido.com

Venta de Refacciones  
Electrodomesticas

## 7GS6SHAXKQ02 CABINET





## 7GS6SHAXKQ02 CABINET

2	4386774	FRONT ROLLER (2)
3	3400517	SCREW (S/P)
4	2196236	ROLLER (REAR) (2) (S/P)
5	489427	SCREW (S/P)
6	2155013	CLIP, GRILLE (S/P)
7	489478	SCREW (S/P)
8	2181911	SHIM (S/P)
9	2203771	HINGE TOP (RC) (S/P)
11	8281227	SCREW (S/P)
12	2203407W	HINGE COVER (WHITE) (S/P)
12	2203407B	HINGE COVER (BLACK) (S/P)
12	2203407T	HINGE COVER (BISCUIT) (S/P)
13	8201707	HINGE BOTTOM (2) (S/P)
14	2196094	FILLER, WRAPPER (WHITE) (S/P)
14	2196097	FILLER, WRAPPER (BLACK) (S/P)
14	2196150	FILLER, WRAPPER (BISCUIT) (S/P)
15	2198468B	GRILLE (BLACK) (S/P)
15	2198468T	GRILLE (BISCUIT) (S/P)
15	2198468W	GRILLE (WHITE) (S/P)
16	489497	SCREW (S/P)
17	489464	SCREW (S/P)
18	2304888	DRAIN FITTING (S/P)
19	2304937	EXTENSION TUBE (S/P)
20	1108439	CLIP, DRAIN TUBE (S/P)
21	2188754	COVER, UNIT (S/P)
22	*****	CABINET (NOT A SERVICEABLE PART) (S/P)
23	2203408B	HINGE COVER (BLACK) (S/P)
23	2203408T	HINGE COVER (BISCUIT) (S/P)
23	2203408W	HINGE COVER (WHITE) (S/P)
24	596171	CLAMP, SERVICE CORD <b>DESCONTINUADO</b>
25	489084	SCREW (S/P)
26	2155311	DOOR CLOSER, LOWER CAM (2)
27	489483	SCREW (S/P)

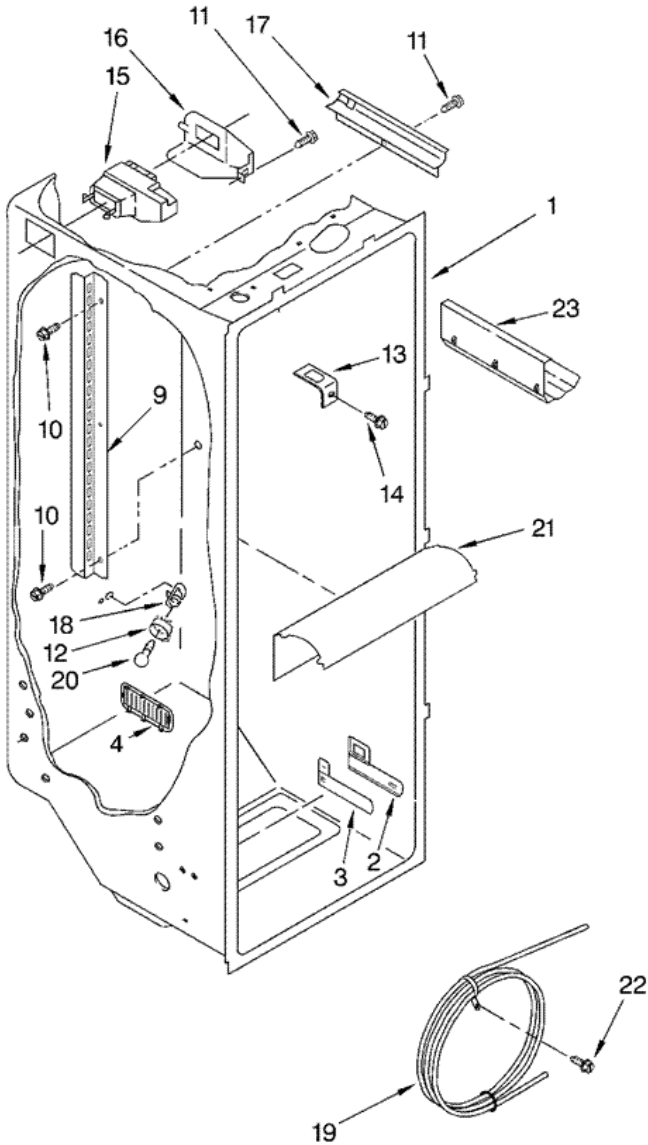
28	2186443	HOUSING, WATER FILTER (S/P)
29	4392857	WATER FILTER
30	2186494B	CAP, WATER FILTER (BLACK)
30	2186494T	CAP, WATER FILTER (BISCUIT) (S/P)
30	2186494W	CAP, WATER FILTER (WHITE) (S/P)
31	489500	SCREW (S/P)
32	2172957	FLAPPER, DRAIN EXTENSION (S/P)
33	3400103	SCREW (S/P)
34	2203098	PLATE, SCREW (S/P)
35	488500	SCREW (S/P)
36	2203770	HINGE TOP (FC) (S/P)

Distribuidor Autorizado

SurteRápido.com

Venta de Refacciones  
Electrodomesticas

## 7GS6SHAXKQ02 REFRIGERATOR LINER

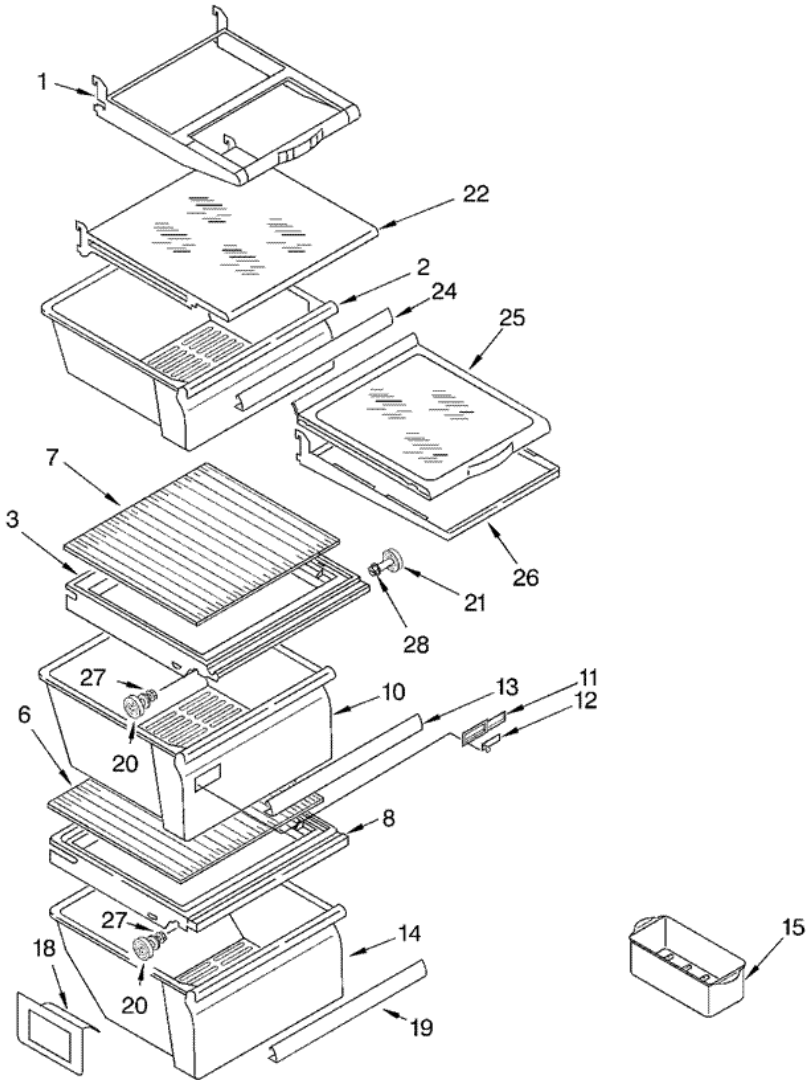




## 7GS6SHAXKQ02 REFRIGERATOR LINER

1	*****	LINER <b>(NOT A SERVICEABLE PART)</b>
2	2194744	ESCUTCHEON, MEAT PAN CONTROL <b>(S/P)</b>
3	2182757	SLIDE MEAT PAN CONTROL <b>(S/P)</b>
4	8201651	LOUVER <b>(S/P)</b>
9	2319866	SHELF LADDER <b>(S/P)</b>
10	487539	SCREW <b>(S/P)</b>
11	486298	SCREW (2) <b>(S/P)</b>
12	2175210	SHROUD, LIGHT <b>(S/P)</b>
13	2256085	BRACKET RETAINER <b>(S/P)</b>
14	489290	SCREW <b>(S/P)</b>
15	2209754	AIR DIFFUSER ASSEMBLY <b>(S/P)</b>
16	2152019	AIR DIFFUSER COVER <b>(S/P)</b>
17	2150331	COVER, WIRING <b>(S/P)</b>
18	4387478	SOCKET
19	2256126	RESERVOIR <b>(S/P)</b>
20	311255	LIGHT BULB <b>(S/P)</b>
21	2317782	LIGHT LENS <b>(S/P)</b>
22	488280	SCREW <b>(S/P)</b>
23	2179404	RACK, WINE & EGG <b>(S/P)</b>

**7GS6SHAXKQ02 REFRIGERATOR  
 SHELF**





**7GS6SHAXKQ02 REFRIGERATOR  
SHELF**

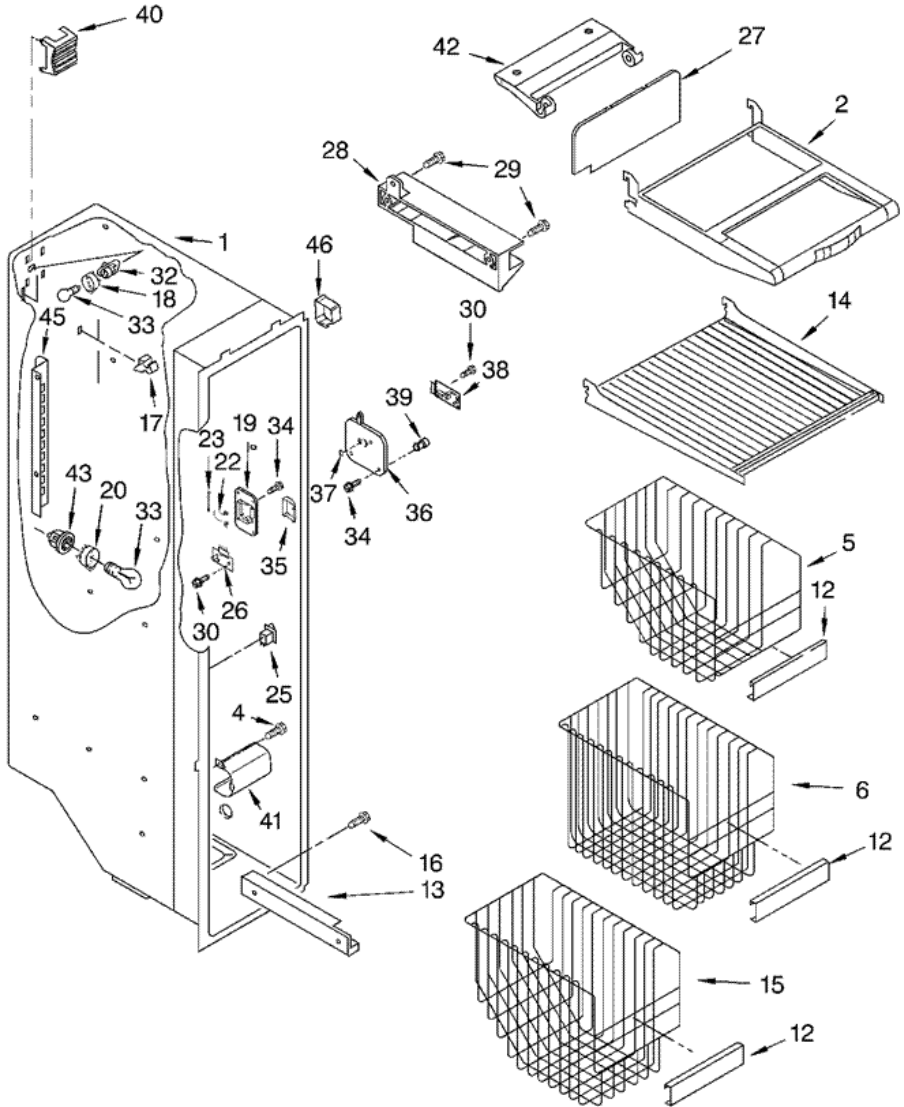
1	2204485	SHELF FLIP-UP (S/P)
2	2188655	SNACK BIN (S/P)
3	2209698	COVER, CRISPER (S/P)
6	2179259	GLASS, MEAT COVER (S/P)
7	2174150	GLASS, COVER (S/P)
8	2311726	COVER, MEAT PAN (S/P)
10	2188656	CRISPER PAN (S/P)
11	2179343	FRONT, CRISPER PAN (S/P)
12	2179342	SLIDE, HUMIDITY CONTROL (S/P)
13	2179234	TRIM, HANDLE (S/P)
14	2188664	MEAT PAN (S/P)
15	2216624	EGG BIN (S/P)
18	2179350	DEFLECTOR (S/P)
19	2194906	TRIM, HANDLE (S/P)
20	2196485	STUD ASSEMBLY (S/P)
21	2196483	STUD ASSEMBLY (S/P)
22	2206347	SHELF, SNACK BIN (S/P)
24	2179243	TRIM, HANDLE (S/P)
25	2194736	SHELF (S/P)
26	2195975	FRAME, SHELF (S/P)
27	3400894	SCREW (S/P)
28	8281158	SCREW (S/P)

Distribuidor Autorizado

SurteRápido.com

Venta de Refacciones  
Electrodomesticas

## 7GS6SHAXKQ02 FREEZER LINER





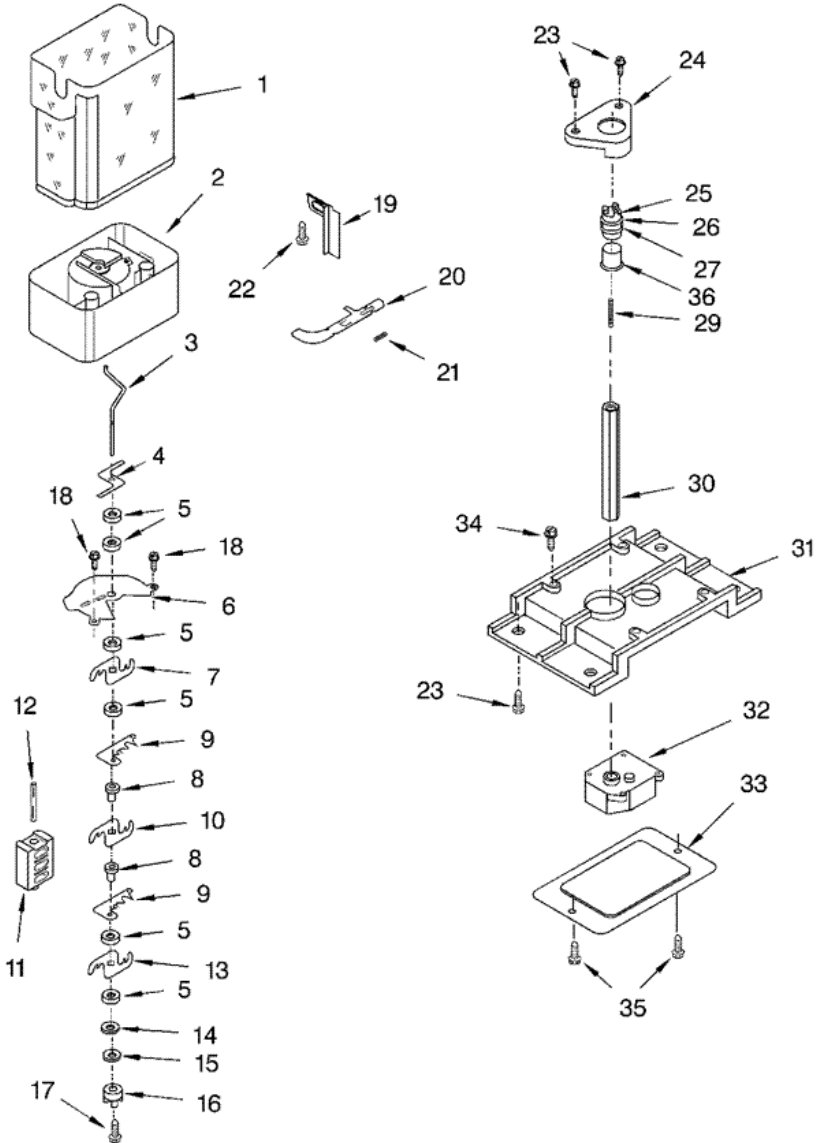


## 7GS6SHAXKQ02 FREEZER LINER

1	*****	LINER (NOT A SEVICEABLE PART)
2	2204486	SHELF FLIP-UP (S/P)
4	3400893	SCREW (S/P)
5	2301189	BASKET (S/P)
6	2301190	BASKET, TALL (S/P)
12	2195905	TRIM, BASKET (S/P)
13	2261449	SHELF TRACK (RIGHT SIDE) (S/P)
13	2261448	SHELF TRACK (LEFT SIDE) (S/P)
14	2205837	SHELF (S/P)
15	2301191	BASKET (S/P)
16	486298	SCREW (8) (S/P)
17	842534	CLIP, AIR DUCT (2) (S/P)
18	2175210	SHROUD, LIGHT (S/P)
19	2198587	COVER, EMITTER (S/P)
20	43877478	SHROUD, LIGHT
22	2198635	SPRING (S/P)
23	2198634	PIN (S/P)
25	4387911	SWITCH, ROCKER ARM (S/P)
26	4389102	P.C. BOARD EMITTER
27	2198642	COVER, ICE MAKER (S/P)
28	2212321	SLIDE, ICE MAKER MOUNTING (S/P)
29	489478	SCREW (S/P)
30	489214	SCREW (S/P)
32	4387478	LIGHT SOCKET
33	311255	LIGHT BULB (S/P)
34	8281185	SCREW (S/P)
35	2198633	FLIPPER (S/P)
36	2198588	COVER, RECEIVER (S/P)
37	2198637	SLIDE, ICE MAKER SHUT OFF (S/P)
38	4389102	P.C. BOARD, RECEIVER
39	2198643	LENS (S/P)
40	2302848	LIGHT SHIELD (S/P)
41	4389127	LIGHT LENS (S/P)

42	2198641	BRACKET, ICE MAKER COVER <b>(S/P)</b>
43	2155597	SOCKET, LIGHT <b>(S/P)</b>
45	2198609	LADDER (LEFT SIDE) <b>(S/P)</b>
45	2198610	LADDER (RIGHT SIDE) <b>(S/P)</b>
46	2219878	SHIELD, WIRING <b>(S/P)</b>

**7GS6SHAXKQ02 MOTOR & ICE CONTAINER**

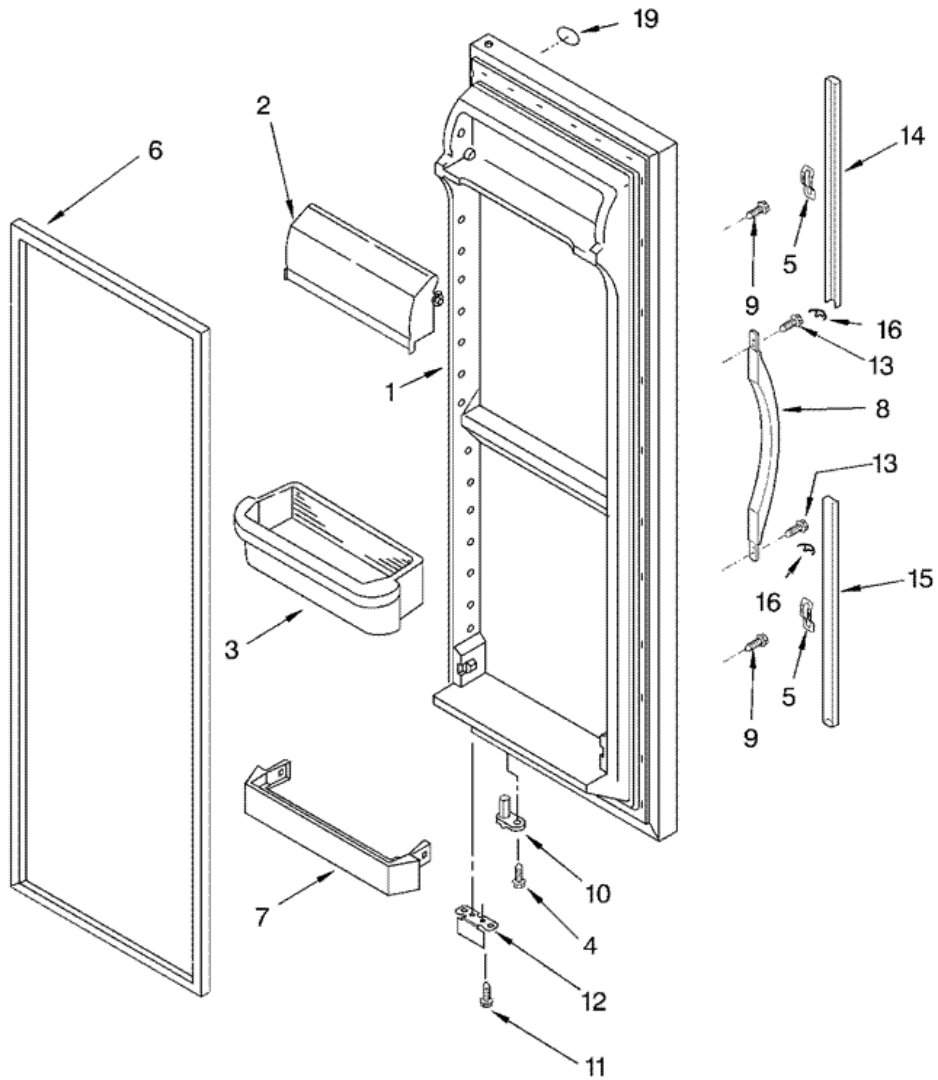




## 7GS6SHAXKQ02 MOTOR & ICE CONTAINER

1	2198573	ICE BIN (S/P)
2	2212367	CRUSHER BIN (S/P)
3	2211590	AUGER
4	2257021	BLADE, STIRRING
5	1119007	SPACER, FLAT (6)
6	2255460	COVER, CRUSHER (S/P)
7	2257024	BLADE, ROTARY
8	1119005	SPACER, STEP (2)
9	2257020	BLADE, FIXED
10	2257023	BLADE, ROTARY
11	2198602	BLOCK, BLADE
12	489229	ROLL PIN
13	2257022	BLADE, ROTARY
14	489235	WASHER, PLAIN
15	2198661	WASHER, COUPLING
16	2220457	COUPLING
17	8281164	SCREW
19	2315403	BUTTON, BIN (S/P)
20	2256015	LATCH, BIN (S/P)
21	2198608	SPRING, LATCH (S/P)
22	2198671	SCREW (2) (S/P)
23	8281163	SCREW (S/P)
24	2212369	HOLDER (S/P)
25	2220458	COUPLING, BOTTOM (S/P)
26	2198628	SEAL (S/P)
27	2212370	WASHER (S/P)
29	2198607	SPRING (S/P)
30	999536	DRIVE SHAFT (S/P)
31	2198655	BRACKET, MOTOR (S/P)
32	2188869	DISPENSER, MOTOR
33	2198626	COVER (S/P)
34	8281162	SCREW (S/P)
36	2212365	SLEEVE, COUPLING (S/P)

**7GS6SHAXKQ02 REFRIGERATOR DOOR**

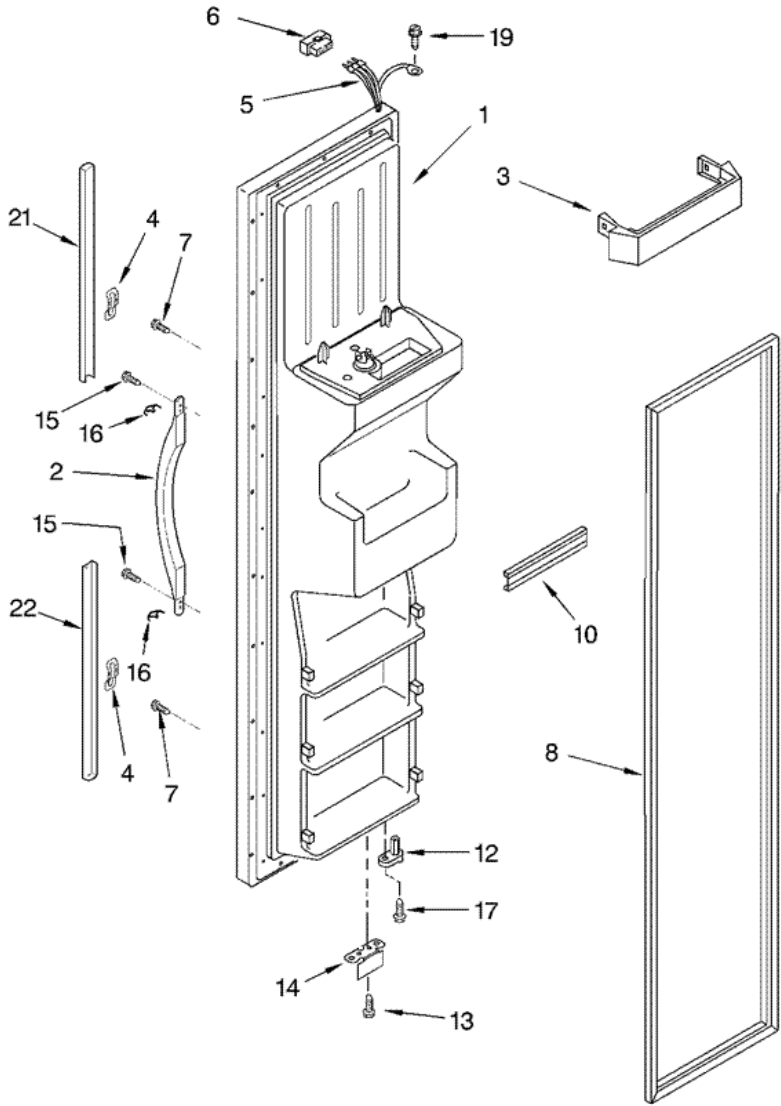




## 7GS6SHAXKQ02 REFRIGERATOR DOOR

1	2207026B	REFRIGERATOR DOOR (BLACK) (S/P)
1	2207026SB	REFRIGERATOR DOOR (STAINLESS BLACK) (S/P)
1	2207026T	REFRIGERATOR DOOR (BISCUIT) (S/P)
1	2207026W	REFRIGERATOR DOOR (WHITE) (S/P)
2	2256101	COMPARTMENT DOOR (S/P)
3	2179607	SHELF BIN (3) (S/P)
4	3400012	SCREW (S/P)
5	2195327	CLIP (S/P)
6	2159083	DOOR GASKET, MAGNETIC (BLACK) (S/P)
6	2159075	DOOR GASKET, MAGNETIC (MIST BEIGE) (S/P)
7	2156022	SHELF BIN (S/P)
8	2217185B	HANDLE (BLACK) (S/P)
8	4388973	HANDLE (BISCUIT) (S/P)
8	4388972	HANDLE (WHITE) (S/P)
9	3400852	SCREW (4) (S/P)
10	2182179	DOOR CLOSER, UPPER CAM (S/P)
11	489420	SCREW (S/P)
12	2200082	BRACKET, DOOR STOP (CHROME) (S/P)
12	2200082B	BRACKET, DOOR STOP (BLACK) (S/P)
13	489491	SCREW (4) (S/P)
14	4388974	TRIM, DOOR-TOP (BLACK) (S/P)
14	4388973	TRIM, DOOR-TOP (BISCUIT) (S/P)
14	4388972	TRIM, DOOR-TOP (WHITE) (S/P)
15	4388974	TRIM, DOOR-BOTTOM (BLACK) (S/P)
15	4388973	TRIM, DOOR-BOTTOM (BISCUIT) (S/P)
15	4388972	TRIM, DOOR-BOTTOM (WHITE) (S/P)
16	2207010SN	JEWELRY, HANDLE (SATIN NICKLE) (S/P)
19	2220214	NAMEPLATE (S/P)

**7GS6SHAXKQ02 FREEZER DOOR**





## 7GS6SHAXKQ02 FREEZER DOOR

1	2220414W	FREEZER DOOR (WHITE) (S/P)
1	2220414B	FREEZER DOOR (BLACK) (S/P)
1	2220414SB	FREEZER DOOR (STAINLESS BLACK) (S/P)
1	2220414T	FREEZER DOOR (BISCUIT) (S/P)
2	2217185B	HANDLE (BLACK) (S/P)
2	4388973	HANDLE (BISCUIT) (S/P)
2	4388972	HANDLE (WHITE) (S/P)
3	2171157	SHELF BIN (4) (S/P)
4	2195327	CLIP (S/P)
5	2198619	DISPENSER HARNESS (S/P)
6	2154473	CONNECTOR (S/P)
7	3400852	SCREW (4) (S/P)
8	2159074	DOOR GASKET, MAGNETIC (MIST BEIGE) (S/P)
8	2159082	DOOR GASKET, MAGNETIC (BLACK) (S/P)
10	2219982	TRIM, DOOR SHELF (S/P)
12	2182179	DOOR CLOSER, UPPER CAM (S/P)
13	489420	SCREW (S/P)
14	2200082	BRACKET, DOOR STOP (CHROME) (S/P)
14	2200082B	BRACKET, DOOR STOP (BLACK) (S/P)
15	489491	SCREW (4) (S/P)
16	2207010SN	JEWELRY, HANDLE (SATIN NICKLE) (S/P)
17	3400012	SCREW (S/P)
19	489000	SCREW (S/P)
21	4388974	TRIM, DOOR-TOP (BLACK) (S/P)
21	4388973	TRIM, DOOR-TOP (BISCUIT) (S/P)
21	4388972	TRIM, DOOR-TOP (WHITE) (S/P)
22	4388973	TRIM, DOOR-BOTTOM (BISCUIT) (S/P)
22	4388972	TRIM, DOOR-BOTTOM (WHITE) (S/P)
22	4388974	TRIM, DOOR-BOTTOM (BLACK) (S/P)

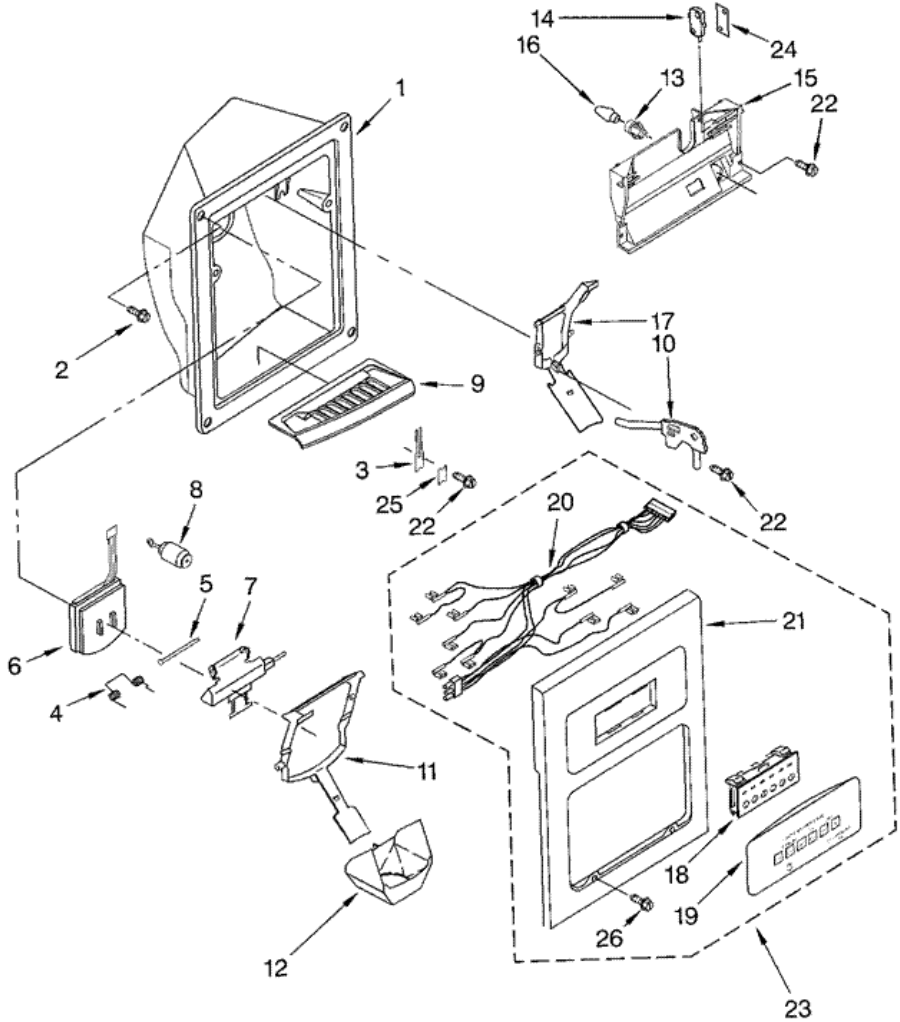


Distribuidor Autorizado

SurteRápido.com

Venta de Refacciones  
Electrodomesticas

## 7GS6SHAXKQ02 DISPENSER FRONT

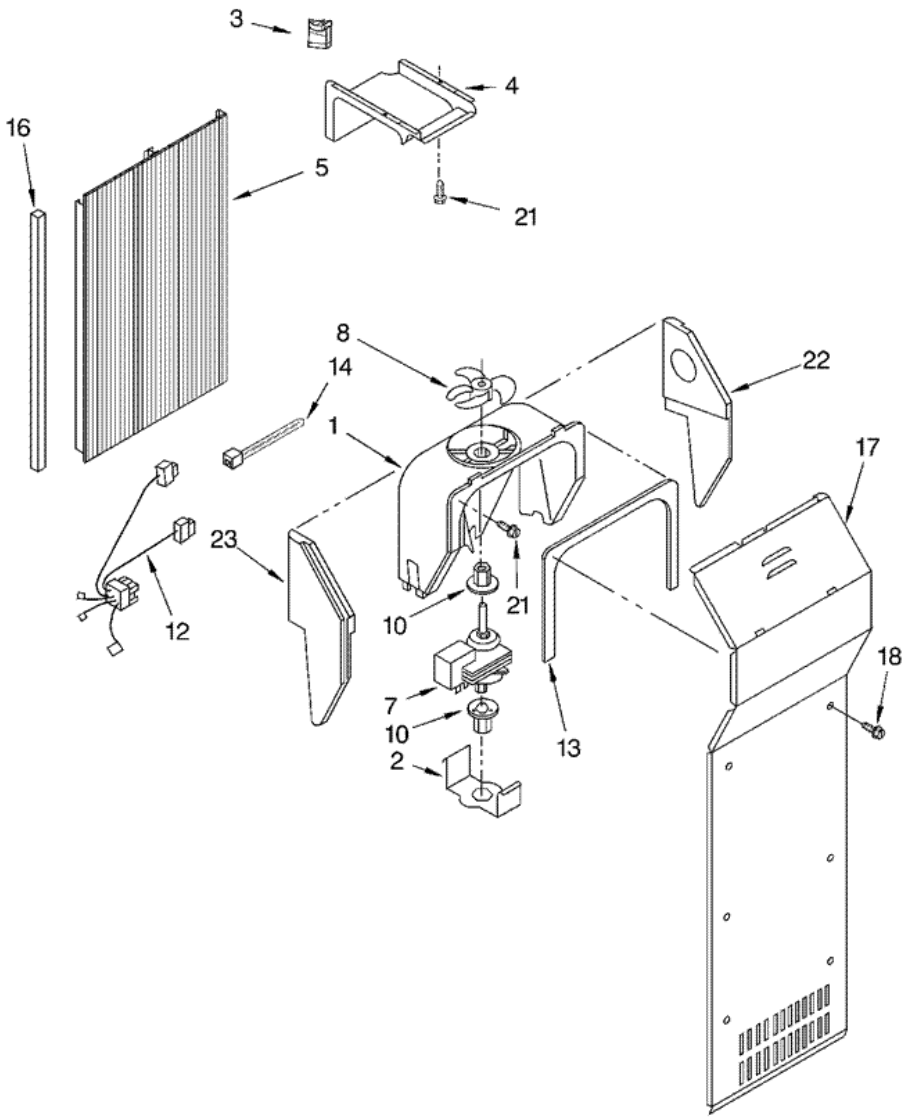




## 7GS6SHAXKQ02 DISPENSER FRONT

1	*****	HOUSING, DISPENSER <b>(NOT SERVICED)</b>
2	3196537	SCREW <b>(S/P)</b>
3	2194719	RETAINER, LEVERS
4	2180209	SPRING, TORSION <b>(S/P)</b>
5	2196195	PIN <b>(S/P)</b>
6	2180353	DOOR, ICE
7	8201649	DOOR MECHANISM ASSEMBLY
8	8201649	MECHANISM DELAY
9	2207007T	GRILLE, OVERFLOW (BISCUIT) <b>(S/P)</b>
9	2207007W	GRILLE, OVERFLOW (WHITE) <b>(S/P)</b>
9	2207007B	GRILLE, OVERFLOW (BLACK) <b>(S/P)</b>
10	8201537	WATER FITTING ASSEMBLY <b>(S/P)</b>
11	2203562T	LEVER, ICE DISPENSER (BISCUIT) <b>(S/P)</b>
11	2203562B	LEVER, ICE DISPENSER (BLACK (STORM GREY PAD))
11	2203562W	LEVER, ICE DISPENSER (WHITE) <b>(S/P)</b>
12	2180224	GUIDE, ICE
13	2180200	LAMP HOLDER <b>(S/P)</b>
14	2162361	SWITCH <b>(S/P)</b>
15	2180226	BRACKET, CONTROL
16	22002263	BULB, LIGHT <b>(S/P)</b>
17	2203561B	LEVER, WATER DISPENSER (BLACK)
17	2203561T	LEVER, WATER DISPENSER (BISCUIT) <b>(S/P)</b>
17	2203561W	LEVER, WATER DISPENSER (WHITE) <b>(S/P)</b>
18	*****	SWITCH ASSEMBLY <b>(S/P)</b>
19	*****	OVERLAY, FRONT COVER <b>(S/P)</b>
20	2187406	WIRE ASSEMBLY <b>(S/P)</b>
21	*****	FRONT COVER, HOUSING <b>(S/P)</b>
22	489000	SCREW <b>(S/P)</b>
23	2220389T	FRONT COVER ASSEMBLY (BISCUIT) <b>(S/P)</b>
23	2198631B	FRONT COVER ASSEMBLY (BLACK) <b>(S/P)</b>
23	2220389W	FRONT COVER ASSEMBLY (WHITE) <b>(S/P)</b>
24	625834	SPACER, SWITCH (2) <b>(S/P)</b>
25	2195051	STRAIN RELIEF <b>(S/P)</b>

**7GS6SHAXKQ02 AIR FLOW**





## 7GS6SHAXKQ02 AIR FLOW

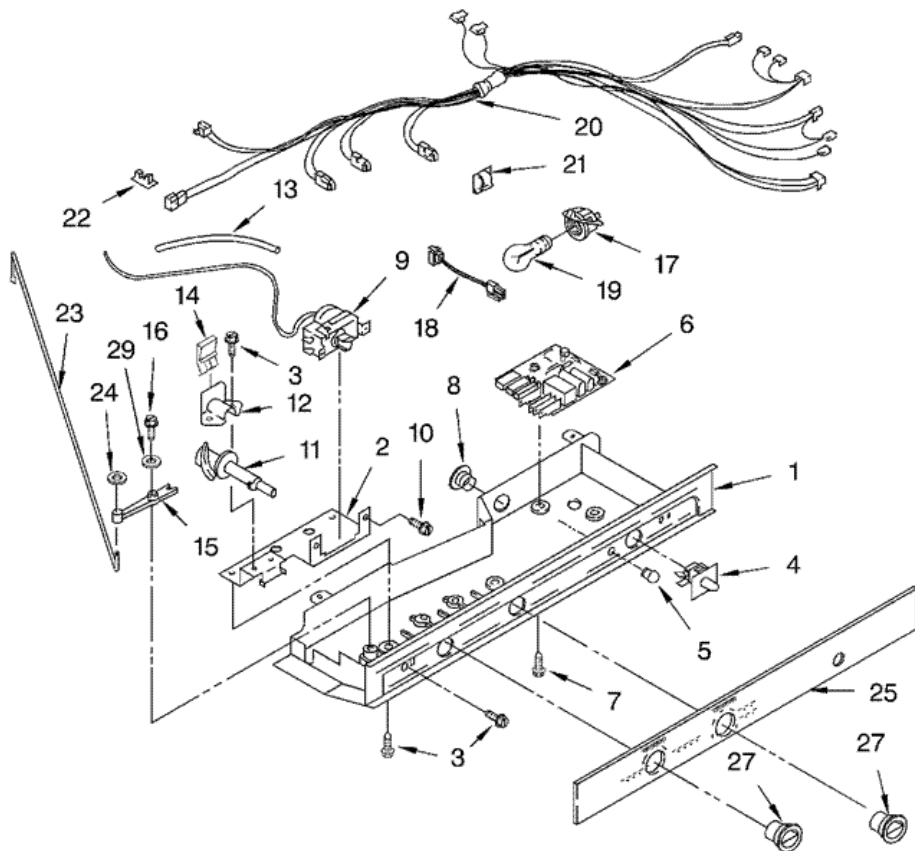
1	2182120	FAN SCROLL (S/P)
2	2155590	RETAINER FAN MOTOR (S/P)
3	2198595	AIR SCOOP (S/P)
4	2212377	AIR DUCT, UPPER (S/P)
5	2198580	AIR DUCT FREEZER (S/P)
7	4389144	FAN MOTOR
8	2169142	FAN BLADE (S/P)
10	2176759	FAN GROMMET (2) (S/P)
12	2206504	HARNESS, FAN EVAPORATOR AND HEATER (S/P)
13	2155789	GASKET, EVAPORATOR COVER (S/P)
14	2172840	STRAP (S/P)
16	4388500	GASKET (S/P)
17	2206314	COVER, EVAPORATOR (S/P)
18	489355	SCREW (6) (S/P)
21	489478	SCREW (S/P)
22	4388358	SUPPORT, R.S. (S/P)
23	4388358	SUPPORT, L.S. (S/P)

Distribuidor Autorizado

**SurteRápido.com**

Venta de Refacciones  
Electrodomesticas

## 7GS6SHAXKQ02 CONTROL





## 7GS6SHAXKQ02 CONTROL

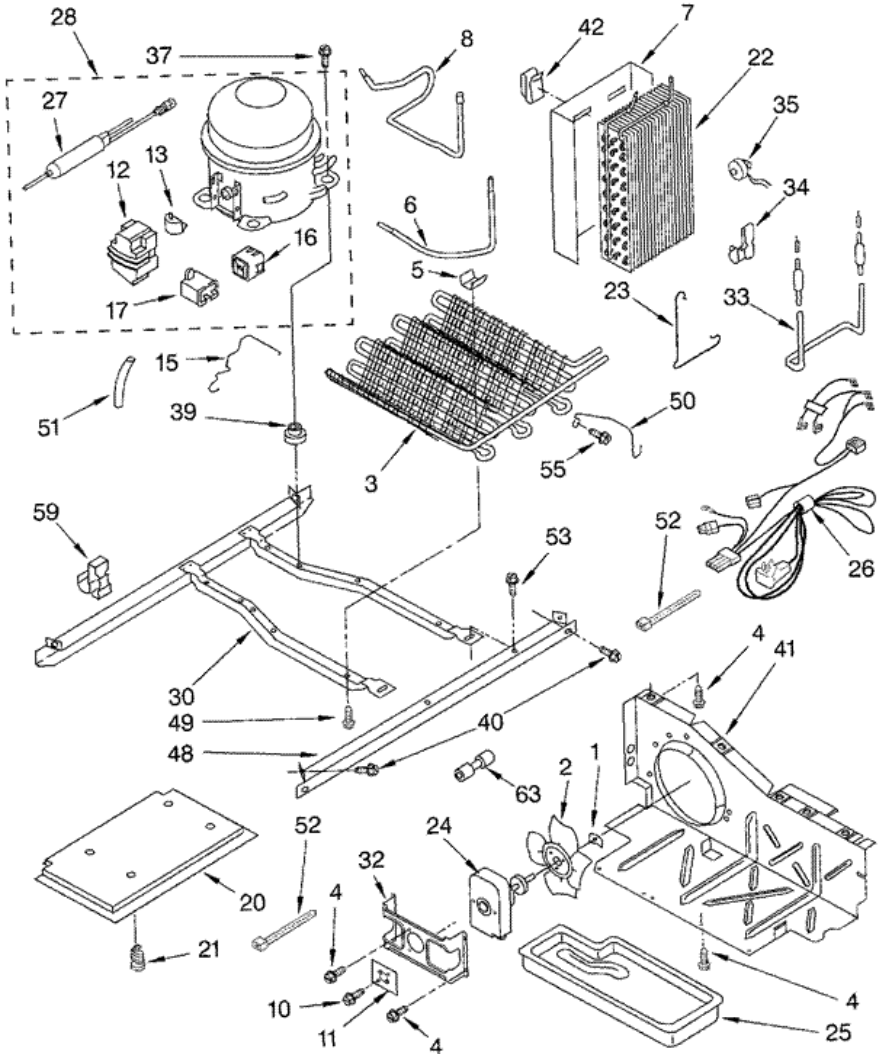
1	2216013	CONTROL BOX (S/P)
2	1110629	MOUNTING BRACKET (S/P)
3	3196537	SCREW (4) (S/P)
4	1116849	SWITCH, LIGHT (S/P)
5	2200096	COVER, LIGHT LENS (S/P)
6	2303822	ADAPTIVE DEFROST CONTROL
7	489398	SCREW (2) (S/P)
8	940014	HOLE PLUG (S/P)
9	2198202	THERMOSTAT
10	487869	SCREW (S/P)
11	2182195	CAM ASSEMBLY (S/P)
12	1110560	BEARING BODY (S/P)
13	2196003	TUBE BARRIER (S/P)
14	2196062	CLIP, DAMPER CONTROL (S/P)
15	1110559	PIVOT ARM (S/P)
16	627068	SCREW (S/P)
17	4387478	LIGHT SOCKET
18	2213462	HARNESS, INDICATOR LIGHT (S/P)
19	527949	LIGHT BULB (S/P)
20	2311632	CONTROL BOX HARNESS (S/P)
21	1115374	CLIP, WIRING (S/P)
22	1115375	CLIP, WIRING (S/P)
23	1123960	CONNECTING ROD (S/P)
24	489285	FASTNER, PUSH-ON (S/P)
25	2212073	ESCUTCHEON, CONTROL BOX <b>DESCONTINUADO</b>
27	2197871	KNOB, AIR CONTROL (S/P)
29	489203	SPRING WASHER (S/P)

Distribuidor Autorizado

SurteRápido.com

Venta de Refacciones  
Electrodomesticas

## 7GS6SHAXKQ02 UNIT





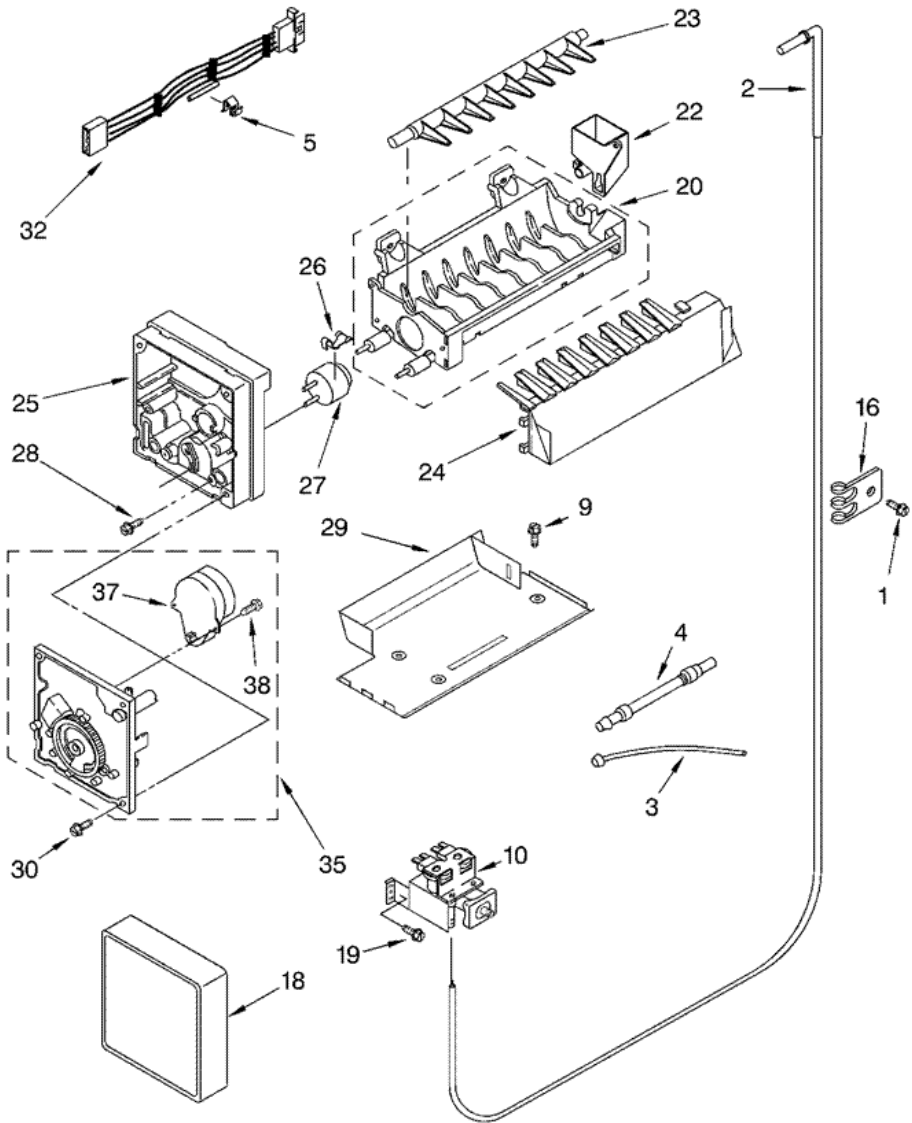
## 7GS6SHAXKQ02 UNIT

1	486692	SPEED NUT (S/P)
2	2190685	FAN, BLADE (S/P)
3	8201683	CONDENSER ASSEMBLY (S/P)
4	489464	SCREW (S/P)
5	2216914	CLIP, CONDENSER (S/P)
6	2255798	TUBE, CONDENSER TO HEAT LOOP (S/P)
7	2256150	HEAT SHIELD AND DRAIN PAN (S/P)
8	2205765	TUBE SUCTION (S/P)
10	8281160	SCREW (S/P)
11	2216997	BRACKET, INSERT (S/P)
12	2162358	COVER (SERVICE COMPRESSOR ONLY) (S/P)
13	4387835	OVERLOAD (SERVICE COMPRESSOR ONLY) (S/P)
15	2223314	CLIP, RETAINING (S/P)
16	8201786	START-DEVICE, COMBINATION (S/P)
17	4387764	CAPACITOR (SERVICE) (S/P)
17	999532	CAPACITOR (PRODUCTION)
20	2304899	UNIT COVER, BOTTOM (S/P)
21	489396	CLIP (S/P)
22	2188823	EVAPORATOR (S/P)
23	2161324	CLIP (S/P)
24	833697	MOTOR, FAN
25	842041	TRAY, EVAPORATOR (S/P)
26	2187605	HARNESS, UNIT (S/P)
27	4387019	DRIER (S/P)
28	2212192	COMPRESSOR (S/P)
30	2304904	UNIT MOUNTING FRAME (S/P)
32	2181929	BRACKET, FAN MOTOR (S/P)
33	2188175	HEATER, DEFROST
34	2161330	CLIP, HEATER <b>DESCONTINUADO</b>
35	2319914	BI-METAL, DEFROST
37	4388295	SCREW (S/P)
39	4388295	GROMMET (4) (S/P)
40	489340	SCREW (S/P)



41	2196202	AIR BAFFLE (S/P)
42	2155547	CLIP, HEAT <b>DESCONTINUADO</b>
48	2305374	UNIT MOUNTING RAIL (S/P)
49	8281232	SCREW (S/P)
50	2186495	GUARD, FAN (S/P)
51	2162499	SLEEVE (S/P)
52	2172840	WIRE TIE (S/P)
53	489427	SCREW (S/P)
55	489478	SCREW (S/P)
59	2208280	CLIP, WIRE & TUBE (S/P)
63	4373559	UNION (S/P)
63	978025	VALVE, ACCESS (1/4``) (S/P)
63	978027	VALVE, ACCESS (3/8``) (S/P)
63	978028	VALVE, ACCESS (1/2``) (S/P)
63	876764	VALVE, ACCESS (3/16``) (S/P)
63	978026	VALVE, ACCESS (5/16``) (S/P)
63	978029	VALVE, ACCESS (5/8``) (S/P)
63	978030	VALVE, ACCESS (3/4``) (S/P)

**7GS6SHAXKQ02 ICE MAKER**





## 7GS6SHAXKQ02 ICE MAKER

1	489084	SCREW (S/P)
2	2256096	FITTING, WATER TUBE (S/P)
3	2255153	TUBE, FILTER OUTLET (S/P)
4	8201597	TUBE, FILTER INLET (S/P)
5	628379	CLIP, FUSE (S/P)
9	489478	SCREW (S/P)
10	4389177	VALVE, SOLENOID
16	488366	CLAMP, TUBE (S/P)
18	2174358	COVER (S/P)
19	488649	SCREW (S/P)
20	628228	MOLD & HEATER ASSEMBLY (S/P)
22	628356	BEARING & INLET (S/P)
23	627843	EJECTOR (S/P)
24	2198598	ICE STRIPPER (S/P)
25	2195914	SUPPORT (S/P)
26	23155222	RETAINER, THERMOSTAT (S/P)
27	627985	THERMOSTAT
28	8533917	SCREW (S/P)
29	2212322	BRACKET, ICE MAKER MOUNTING (S/P)
30	489276	SCREW (S/P)
32	2187467	HARNESS, WIRING (S/P)
35	8201515	MODULE ASSEMBLY (S/P)
37	627811	MOTOR (S/P)
38	489136	SCREW (S/P)
100	2198597	COMPLETE ICEMAKER ASSEMBLY