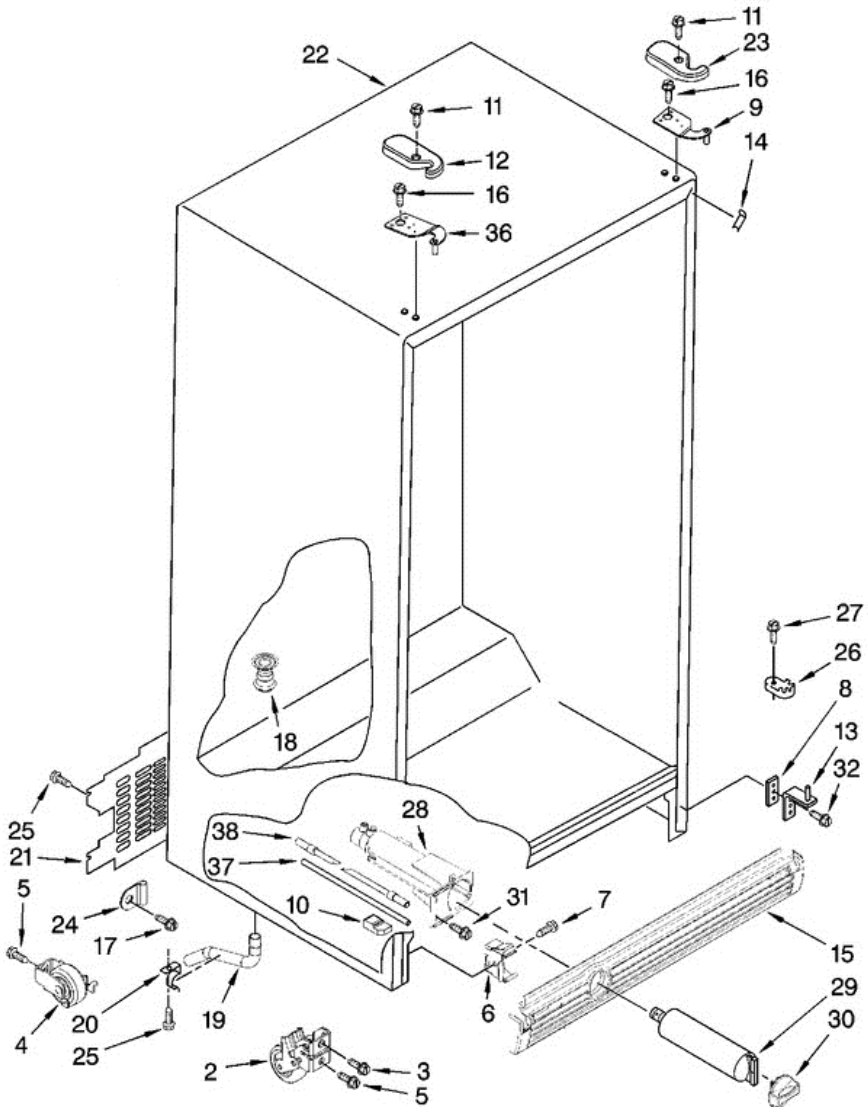


7GS6SHEXPL02 CABINET



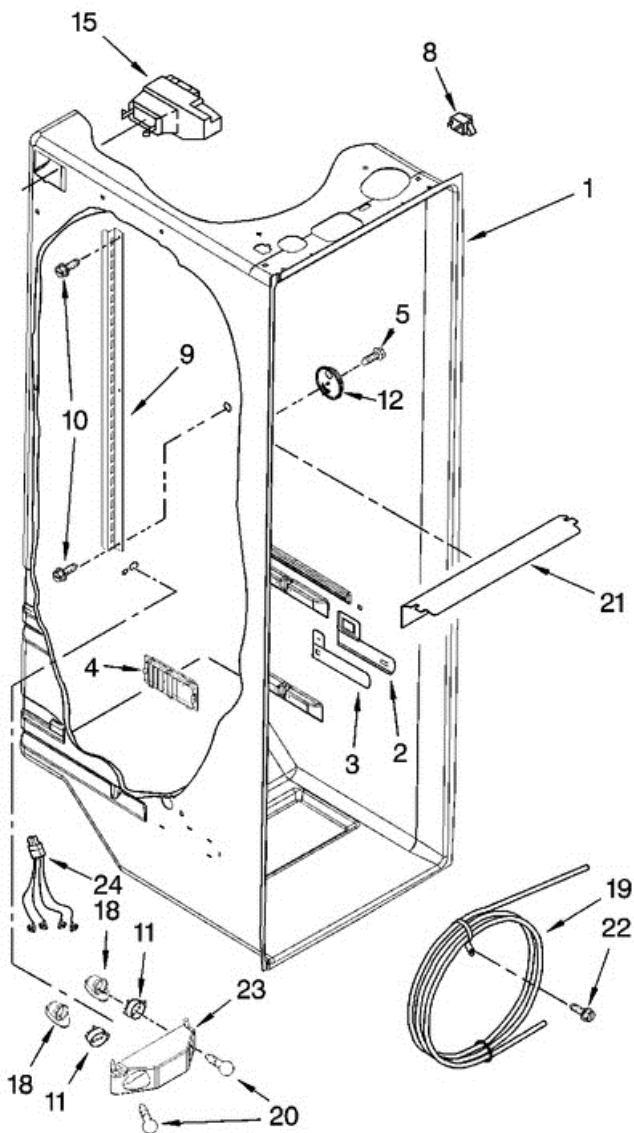


7GS6SHEXPL02 CABINET

2	2174748	FRONT ROLLER (2)
3	3400517	SCREW
4	2196236	ROLLER (REAR) (2)
5	489427	SCREW
6	2155013	CLIP, GRILLE
7	488500	SCREW
8	2156056	SHIM (2)
9	2203771	HINGE, TOP (RC)
10	2186489	BLOCK, HOUSING SUPPORT
11	8281227	SCREW
12	2203407B	HINGE COVER (BLACK)
12	2203407W	HINGE COVER (WHITE)
13	2304322	HINGE BOTTOM (2)
14	2196094	FILLER, WRAPPER (WHITE)
14	2196097	FILLER, WRAPPER (BLACK)
15	2198468B	GRILLE (BLACK)
15	2198468W	GRILLE (WHITE)
16	489497	SCREW
17	488687	SCREW
18	940139	DRAIN FITTING
19	1108438	TUBE, EXTENSION
20	1108439	CLIP, DRAIN TUBE
21	2220758	COVER, UNIT
22	****	CABINET, (NOT A SERVICEABLE PART)
23	2203408B	HINGE COVER (BLACK)
23	2203408W	HINGE COVER (WHITE)
24	489348	CLAMP, SERVICE CORD
25	489084	SCREW
26	2155311	DOOR CLOSER, LOWER CAM (2)
27	489483	SCREW
28	2186443	HOUSING, WATER FILTER
29	2255519	WATER FILTER
30	2186494B	CAP, WATER FILTER (BLACK)

30	2186494W	CAP, WATER FILTER (WHITE)
31	489500	SCREW
32	3400113	SCREW (4)
36	2203770	HINGE, TOP (FC)
37	2255012	TUBE, FILTER OUTLET
38	2304697	TUBE, FILTER INLET

**7GS6SHEXPL02 REFRIGERATOR
LINER**

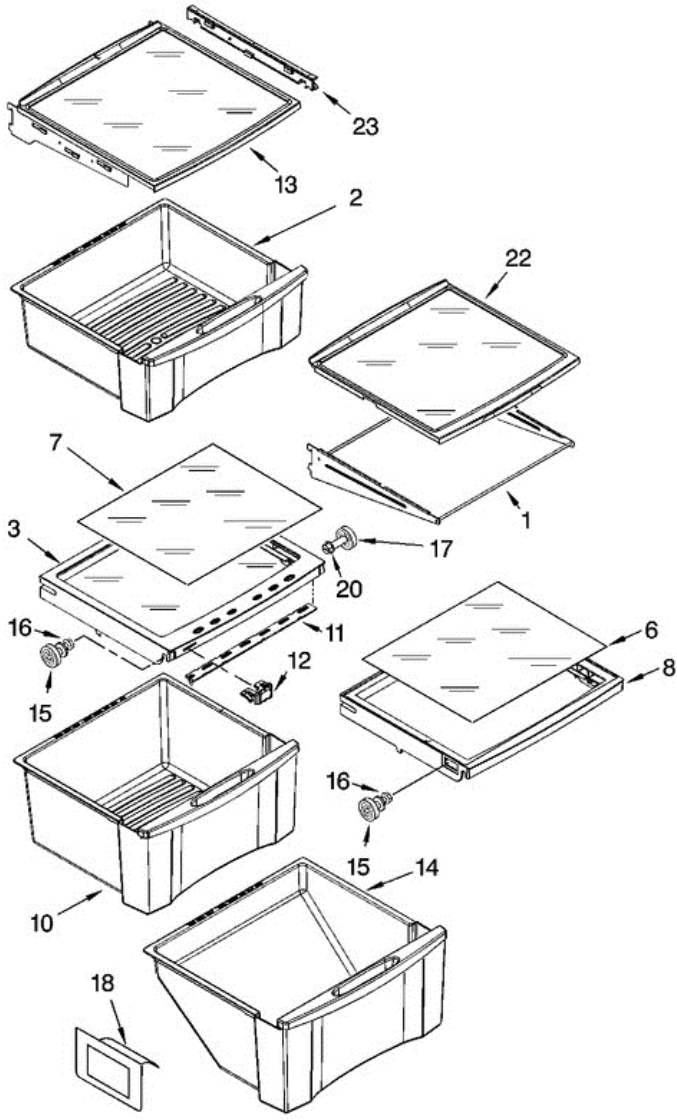




7GS6SHEXPL02 REFRIGERATOR LINER

1	****	LINER (NOT A SERVICEABLE PART)
2	2194744	ESCUTCHEON, MEAT PAN CONTROL
3	2182757	SLIDE MEAT PAN CONTROL
4	2257741	LOUVER
5	W10004810	SCREW
8	1118894	SWITCH, ROCKER ARM
9	2319866	SHELF LADDER
10	489478	SCREW
11	2169193	SHROUD, LIGHT
12	2261601	DOOR CONTROL ASM
15	2209753	AIR DIFFUSER ASSEMBLY
18	2162085	SOCKET
19	2217199	RESERVOIR
20	2255743	LIGHT BULB
21	2209769	LIGHT LENS
22	488280	SCREW
23	2256035	BRACKET, DUAL CRISPER
24	2256037	WIRE HARNESS, DUAL CRISPER

**7GS6SHEXPL02 REFRIGERATOR
 SHELF**

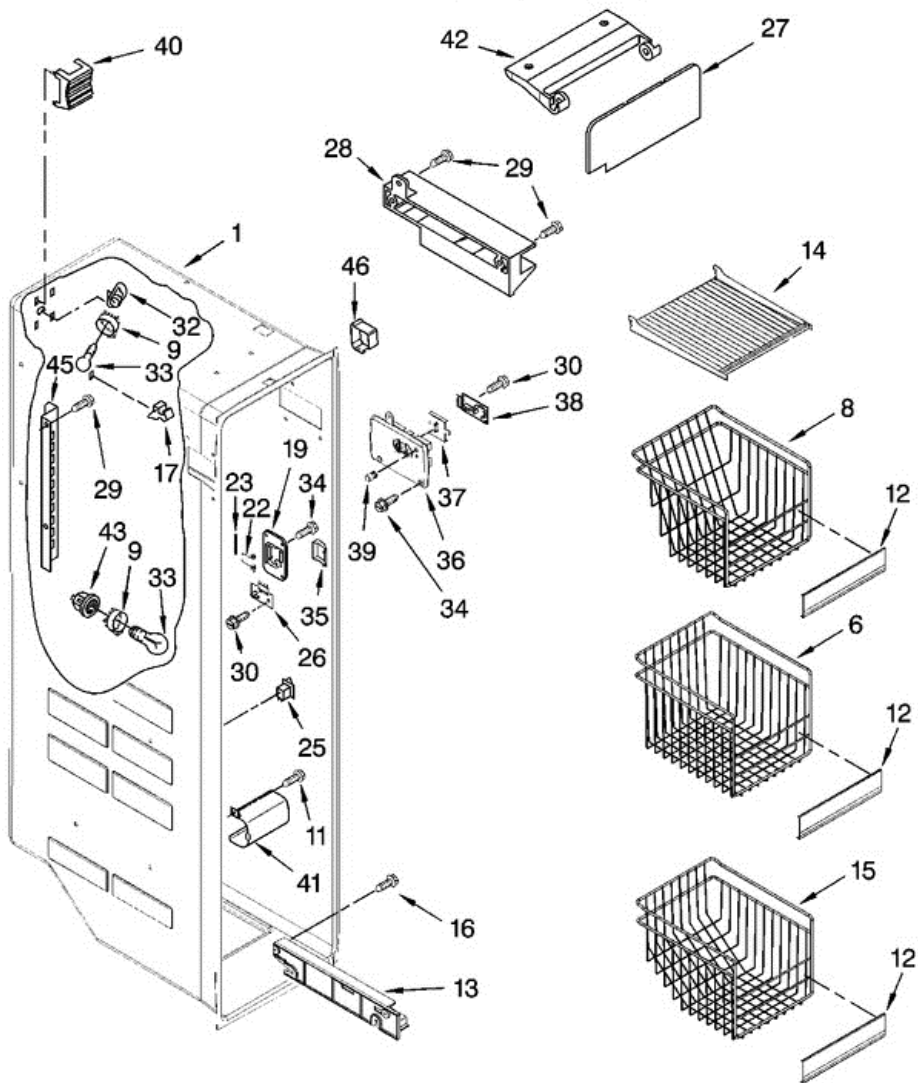




7GS6SHEXPL02 REFRIGERATOR SHELF

1	2223517	FRAME ASSEMBLY (2)
2	2223261	SNACK BIN ASM
3	2223592	COVER, CRISPER
6	2223714	GLASS, MEAT COVER
7	2223591	GLASS, COVER
8	2223242	COVER, MEAT PAN
10	2223235	CRISPER PAN ASM
11	2223308	SLIDE, HUMIDITY CONTROL
12	2223309	KNOB, HUMIDITY CONTROL
13	2223288	SHELF PAN ASSEMBLY
14	2223243	MEAT PAN ASM
15	2196485	STUD ASSEMBLY
16	3400894	SCREW
17	2196483	STUD ASSEMBLY
18	2179350	DEFLECTOR
20	8281158	SCREW
22	2255160	SHELF, SLIDE OUT (2)
23	2223320	SLIDE, PAN

7GS6SHEXPL02 FREEZER LINER



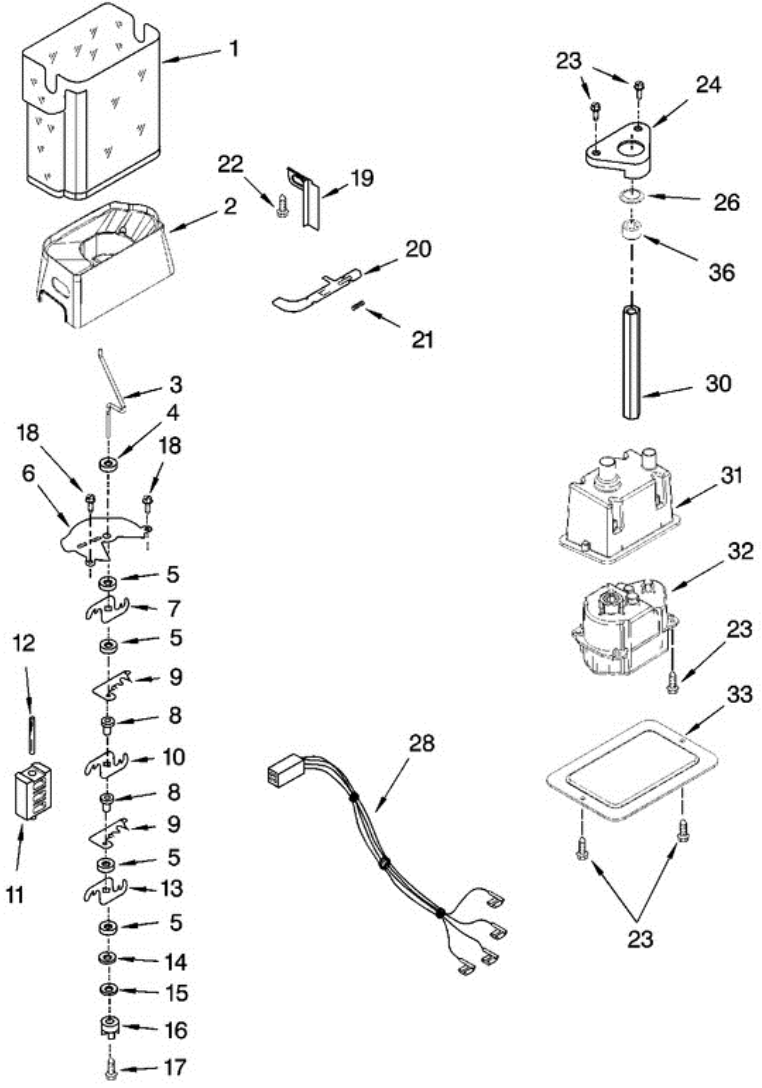


7GS6SHEXPL02 FREEZER LINER

1	****	LINER (NOT A SEVICEABLE PART)
6	2301190	BASKET, TALL
8	2301189	BASKET, TOP
9	2167012	SHROUD, LIGHT
11	3400893	SCREW
12	2195905K	TRIM, BASKET
13	2301289	SHELF TRACK (3) (RIGHT SIDE)
13	2301290	SHELF TRACK (3) (LEFT SIDE)
14	2205837K	SHELF
15	2301191	BASKET
16	W10004810	SCREW (12)
17	842534	CLIP, AIR DUCT (2)
19	2255572	COVER, EMITTER
22	2198635	SPRING
23	2198634	PIN
25	1115373	SWITCH, ROCKER ARM
26	2220398	P.C. BOARD EMITTER
27	2255588	COVER, ICE MAKER
28	2212321	SLIDE, ICE MAKER MOUNTING
29	489478	SCREW
30	489214	SCREW
32	2162085	LIGHT SOCKET
33	2255743	LIGHT BULB
34	8281185	SCREW
35	2198633	FLIPPER
36	2255558	COVER, RECEIVER
37	2255562	SLIDE, ICE MAKER SHUT OFF
38	2255114	P.C. BOARD, RECEIVER
39	2198643	LENS
40	2198589	LIGHT SHIELD
41	2212340	LIGHT LENS
42	2198641	BRACKET, ICEMAKER COVER
43	2155597	SOCKET, LIGHT

45	2198609	LADDER (LEFT SIDE)
45	2198610	LADDER (RIGHT SIDE)
46	2303234	SHIELD, WIRING

**7GS6SHEXPL02 MOTOR AND ICE
 CONTAINER**

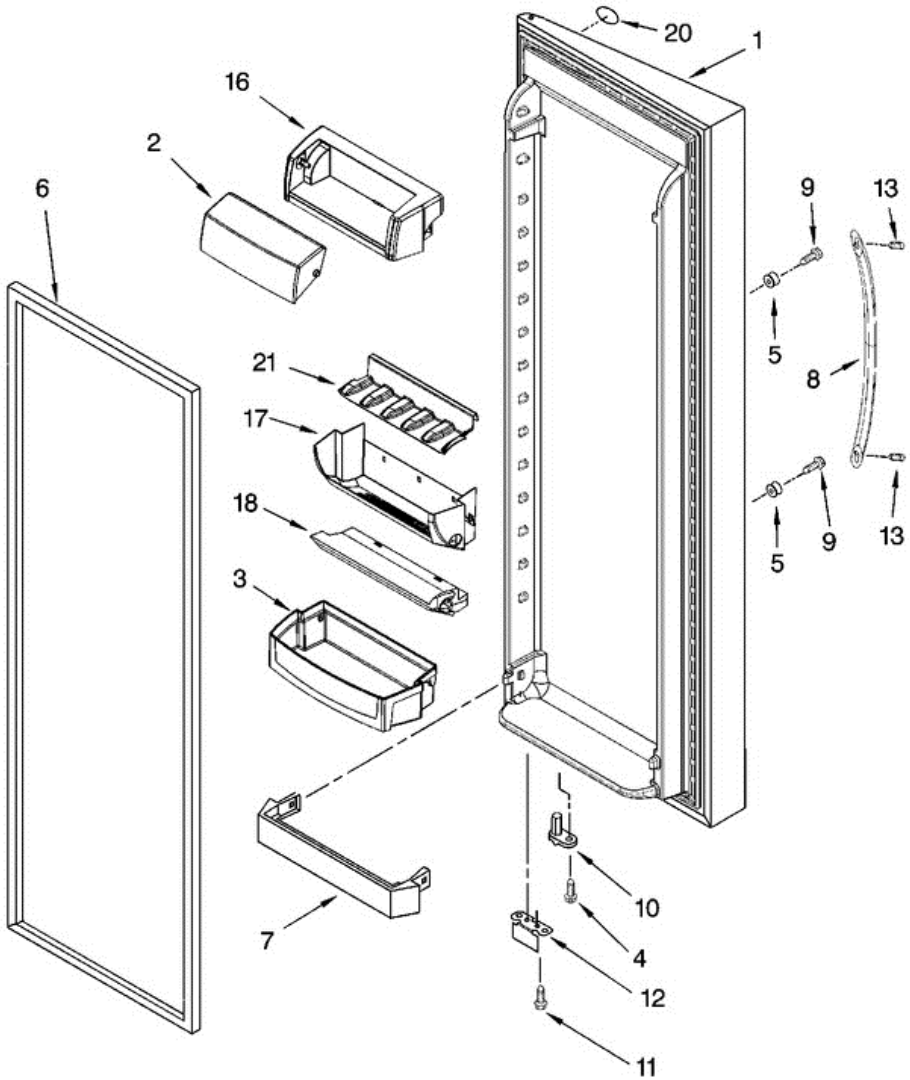




7GS6SHEXPL02 MOTOR AND ICE CONTAINER

1	2198573	ICE BIN
2	2255574	CRUSHER BIN
3	2258222	AUGER
4	2258220	WASHER
5	1119007	SPACER, FLAT (4)
6	2255460	COVER, CRUSHER
7	2257024	BLADE, ROTARY
8	1119005	SPACER, STEP (2)
9	2257020	BLADE, FIXED
10	2257023	BLADE, ROTARY
11	2198602	BLOCK, BLADE
12	489229	ROLL PIN
13	2257022	BLADE, ROTARY
14	489235	WASHER, PLAIN
15	2198661	WASHER, COUPLING
16	2188918	COUPLING
17	8281164	SCREW
18	3400065	SCREW
19	2255575	BUTTON, BIN
20	2212371	LATCH, BIN
21	2198608	SPRING, LATCH
22	2198671	SCREW (2)
23	8281163	SCREW
24	2188919	HOLDER
26	2198628	SEAL
28	2187725	WIRE HARNESS, IDI MOTOR
30	2188916	DRIVE SHAFT
31	2256154	ENCLOSURE, MOTOR
32	2315545	DISPENSER, MOTOR
33	2212305	COVER
36	2315559	SLEEVE, COUPLING
100	2315945	ICE CONTAINER (COMPLETE)

7GS6SHEXPL02 REFRIGERATOR DOOR

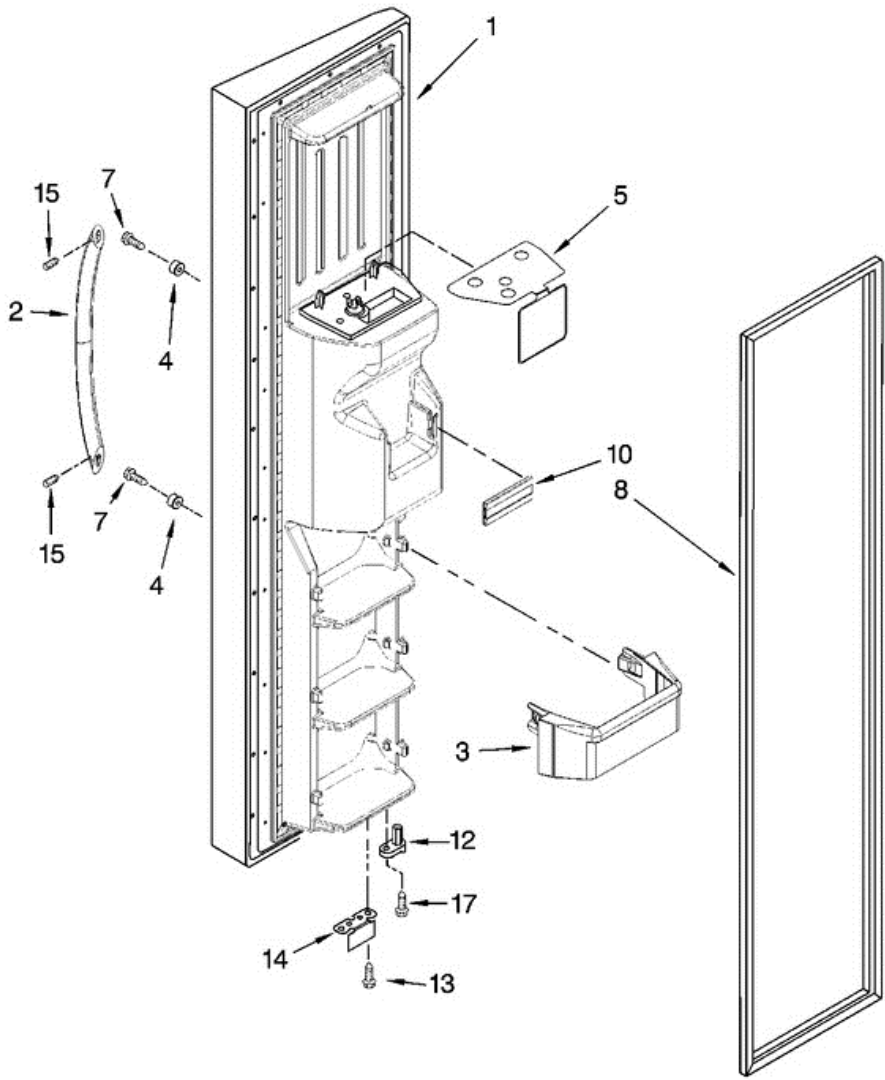




7GS6SHEXPL02 REFRIGERATOR DOOR

1	2303522LB	REFRIGERATOR DOOR (INCL. 6) (STAINLESS-VCM)
1	2303522W	REFRIGERATOR DOOR (INCLUDES ITEM 6) (WHITE)
2	2255421	DAIRY DOOR
3	2223239K	DOOR BIN (3)
4	3400012	SCREW
5	2219698	STUD
6	2221302	DOOR GASKET, MAGNETIC (MIST BEIGE)
6	2221313	DOOR GASKET, MAGNETIC (BLACK)
7	2156022	TRIVET
8	2303277W	HANDLE (INCLUDES 13) (WHITE)
8	2313403S	HANDLE (INCLUDES 13) (STAINLESS)
9	488208	SCREW
10	2182178	DOOR CLOSER, UPPER CAM
11	489420	SCREW
12	2200082	BRACKET, DOOR STOP (CHROME)
12	2200082B	BRACKET, DOOR STOP (BLACK)
13	8533918	SCREW
16	2255420	DOOR COMPARTMENT
17	2255422	FRAME, CAN RACK
18	2255424	AIR DIFFUSER ASM
20	2220214	NAMEPLATE
21	2255423	FLOOR, CAN RACK

7GS6SHEXPL02 FREEZER DOOR

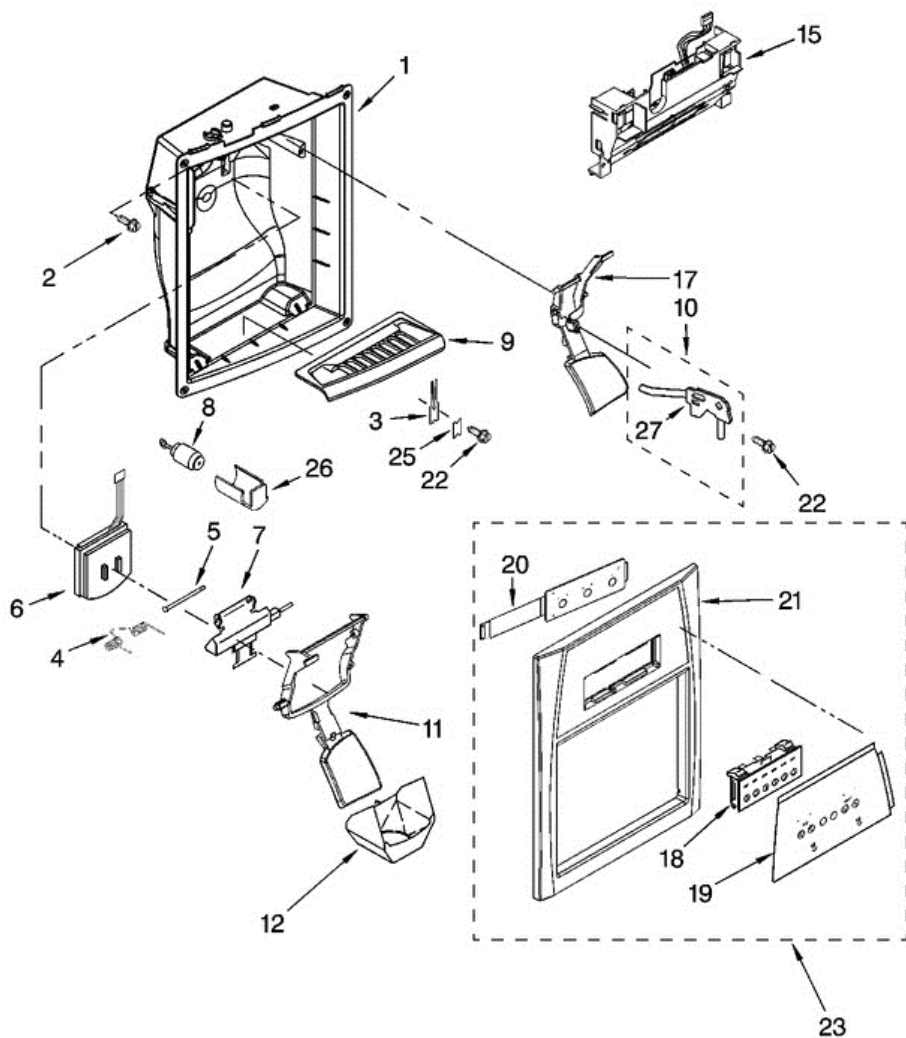




7GS6SHEXPL02 FREEZER DOOR

1	2318389LB	FREEZER DOOR (INCLUDES 8) (STAINLESS-VCM)
1	2318389W	FREEZER DOOR (INCLUDES 8) (WHITE)
2	2303277W	HANDLE (INCLUDES 15) (WHITE)
2	2313403S	HANDLE (INCLUDES 15) (STAINLESS)
3	2171157K	TRIVET (3)
4	2219698	STUD
5	2304895	SAFETY BARRIER
7	488208	SCREW
8	2221303	DOOR GASKET, MAGNETIC (MIST BEIGE)
8	2221314	DOOR GASKET, MAGNETIC (BLACK)
10	2219982	TRIM, DOOR SHELF
12	2182179	DOOR CLOSER, UPPER CAM
13	489420	SCREW
14	2200082	BRACKET, DOOR STOP (CHROME)
14	2200082B	BRACKET, DOOR STOP (BLACK)
15	8533918	SCREW
17	3400012	SCREW

7GS6SHEXPL02 DISPENSER FRONT

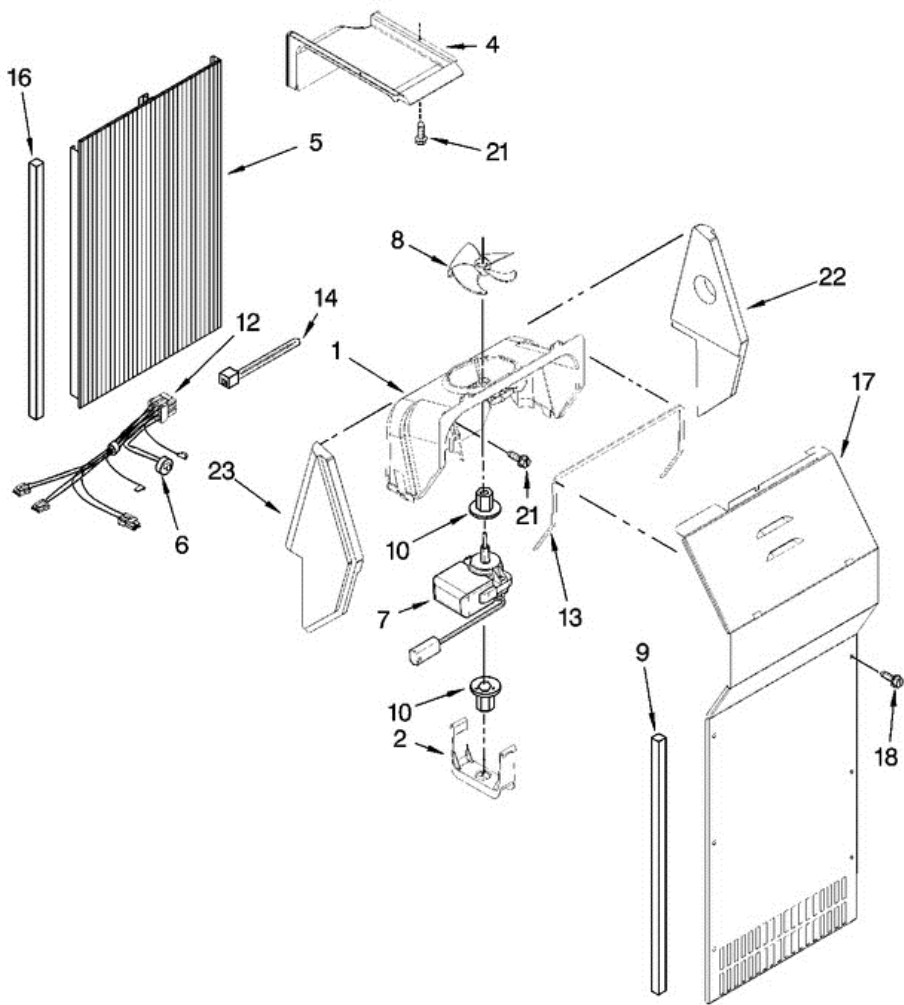




7GS6SHEXPL02 DISPENSER FRONT

1	****	HOUSING DISPENSER (NOT SERVICED)
2	3196537	SCREW
3	2194719	RETAINER, LEVERS
4	2304772	SPRING, TORSION
5	2196195	PIN
6	2180353	DOOR, ICE
7	2304355	DOOR MECHANISM ASSEMBLY
8	2205686	MECHANISM DELAY
9	2207007B	GRILLE, OVERFLOW (BLACK)
9	2207007W	GRILLE, OVERFLOW (WHITE)
10	2304317	WATER FITTING ASSEMBLY (INCLUDES WATER TUBE)
11	2255431B	LEVER, ICE DISPENSER (BLACK)
11	2255431W	LEVER, ICE DISPENSER (WHITE)
12	2180224	GUIDE, ICE
15	2252163	BRACKET, CONTROL
17	2255432B	LEVER, WATER DISPENSER (BLACK)
17	2255432W	LEVER, WATER DISPENSER (WHITE)
18	****	SWITCH ASSEMBLY (NOT AVAILBLE ORDER 23)
19	****	OVERLAY, FRONT (NOT AVAILABLE, ORDER 23)
20	****	LED DISPLAY WITH AUTO (NOT AVAILABLE ORDER 23)
21	****	FRONT COVER, (NOT AVAILABLE ORDER 23)
22	489000	SCREW
23	2252080B	FRONT COVER ASSEMBLY (INCLU 18, 19, 20 & 21) (BLACK)
23	2252080W	FRONT COVER ASSEMBLY (INCLU 18, 19, 20 & 21) (WHITE)
25	2195051	STRAIN RELIEF
26	2252127	SLEEVE, MECHANISM DISPLAY
27	2304673	BRACKET, DISPENSER

7GS6SHEXPL02 AIR FLOW

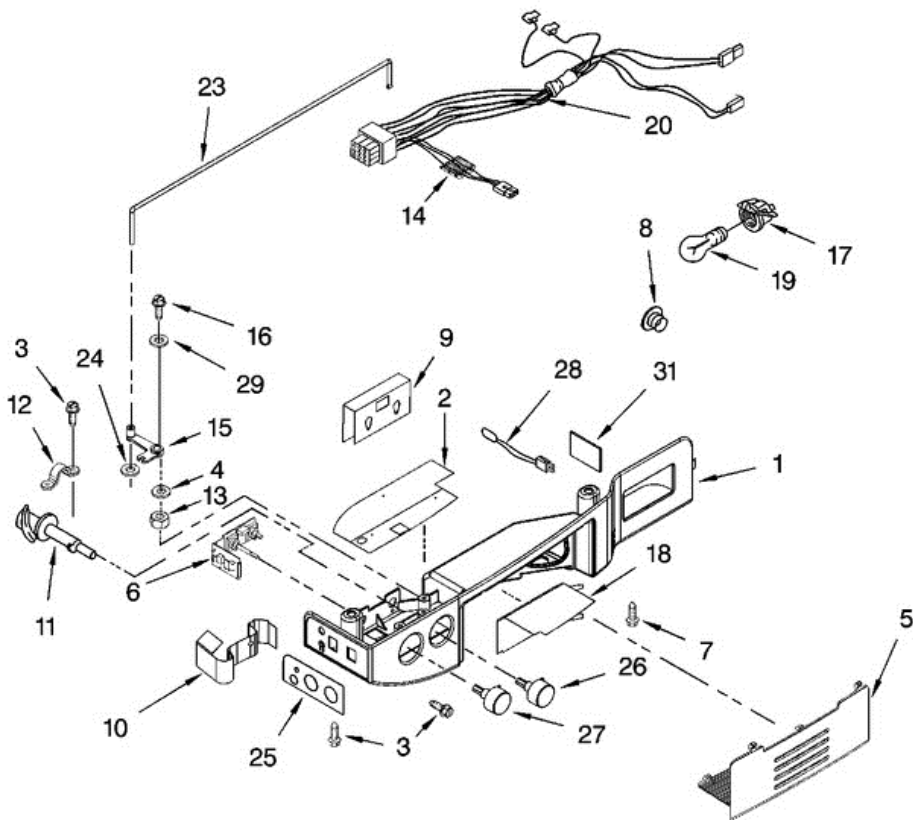




7GS6SHEXPL02 AIR FLOW

1	2182120	FAN SCROLL
2	2155590	RETAINER, FAN MOTOR
4	2313359	AIR DUCT, UPPER
5	2198580	AIR DUCT FREEZER
6	2319914	BI-METAL, DEFROST
7	2162404	FAN MOTOR
8	2169142	FAN BLADE
9	2304241	GASKET, EVAPORATOR COVER (2)
10	2176759	FAN GROMMET (2)
12	2310240	HARNESS, FAN EVAPORATOR (INCLUDES 6)
13	2155789	GASKET, FAN SCROLL
14	2172840	STRAP
16	2203876	GASKET
17	2206314	COVER, EVAPORATOR (INCLUDES 9)
18	8281159	SCREW (6)
21	489478	SCREW
22	2203595	SUPPORT, R.S
23	2203596	SUPPORT, L.S

7GS6SHEXPL02 CONTROL





7GS6SHEXPL02 CONTROL

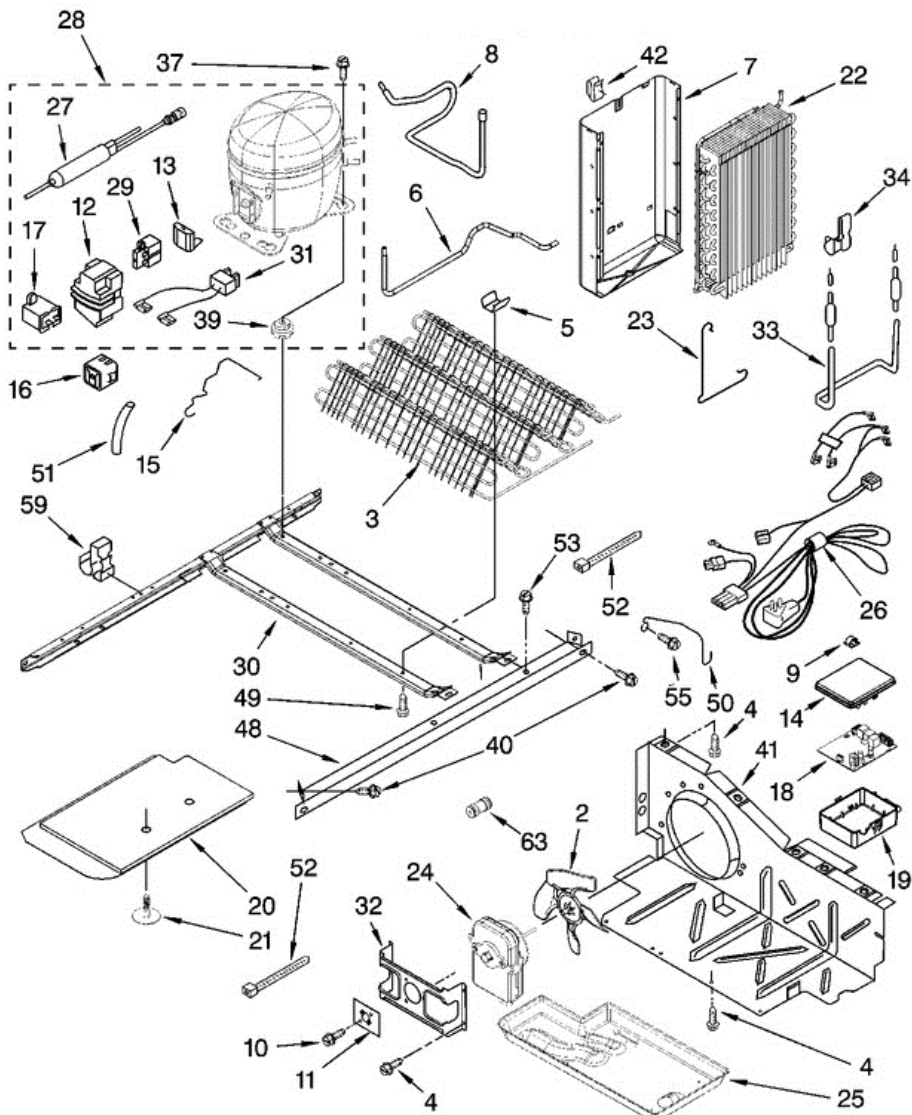
1	2255222	CONTROL BOX
2	2261773	SHIELD
3	3196537	SCREW (4)
4	3400972	WASHER
5	2255225	LENS, LIGHT
6	2304103	ELECTRONIC CONTROL
7	489084	SCREW (2)
8	940014	HOLE PLUG
9	2188928	SHIELD, ELECTRICAL
10	2305538	SHIELD, ELECTRICAL (INTERNAL)
11	2255226	CAM ASSEMBLY
12	2255413	BEARING BODY
13	3400971	NUT, HEX
14	2308165	FERRITE BEAD
15	2255227	PIVOT ARM
16	627068	SCREW
17	2162085	LIGHT SOCKET
18	2255666	SHIELD, HEAT
19	2255743	LIGHT BULB
20	2187965	CONTROL BOX HARNESS
23	2255228	CONNECTING ROD
24	489285	FASTNER, PUSH-ON
25	2255611	ESCUTCHEON, CONTROL BOX
26	2255232	KNOB, RC
27	2255992	KNOB, FC
28	2188819	THERMISTOR
29	489203	SPRING WASHER
31	2261265	AIR SEAL, THERMISTOR

Distribuidor Autorizado

SurteRápido.com

Venta de Refacciones
Electrodomesticas

7GS6SHEXPL02 UNIT



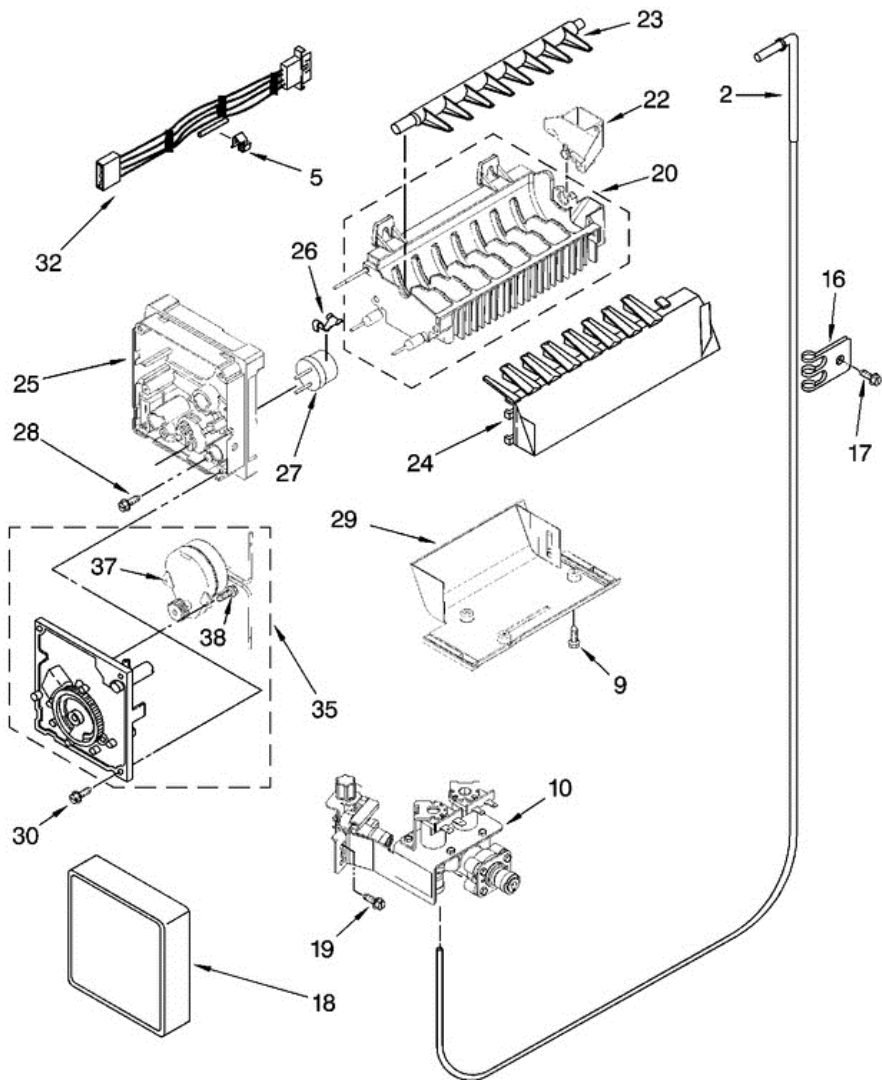


7GS6SHEXPL02 UNIT

2	2225834	FAN, BLADE
3	2304902	CONDENSER ASSEMBLY
4	489464	SCREW
5	2216914	CLIP, CONDENSER
6	2261599	TUBE, CONDENSER TO HEAT LOOP
7	2304289	HEAT SHIELD AND DRAIN PAN
8	2205765	TUBE SUCTION
9	1115374	CLIP, WIRING
10	8281160	SCREW
11	2216997	BRACKET, INSERT
12	4387731	COVER (SERVICE ONLY)
13	2154697	OVERLOAD, (SERVICE ONLY)
14	2255624	COVER
15	2255199	CLIP, RETAINING
16	2319792	START-DEVICE, COMBINATION (START RELAY AND OVERLOAD) FOR PRODUCTION COMPRESSOR ONLY
17	1118576	CAPACITOR (SERVICE)
17	2169373	CAPACITOR (PRODUCTION)
18	2304095	ELEC. CONTROL
19	2255623	CONTROL BOX
20	2304899	UNIT COVER, BOTTOM
21	489396	CLIP
22	2188823	EVAPORATOR
23	2161324	CLIP
24	2188729	MOTOR, FAN
25	1105523	TRAY, EVAPORATOR
26	2187739	HARNESS, UNIT
27	2319825	DRIER (PRODUCTION)
27	4387019	DRIER (SERVICE)
28	2255197	COMPRESSOR (INCLUDES ITEMS 12, 13, 17, 27, 29, 31 & 39) (ALSO ORDER 876765 TUBE KIT)
29	2183454	RELAY (SERVICE ONLY)
30	2304904	UNIT MOUNTING FRAME
31	4387765	WIRE, CAPACITOR (SERVICE ONLY)

32	2181929	BRACKET, FAN MOTOR
33	2188175	HEATER, DEFROST
34	2304287	CLIP, HEATER
37	489373	SCREW
39	1100826	GROMMET (4) (PRODUCTION)
39	4387558	GROMMET (4) (SERVICE)
40	489340	SCREW
41	2196202	AIR BAFFLE
42	2155547	CLIP, HEAT
48	2305374	UNIT MOUNTING RAIL
49	8281232	SCREW
50	2186495	GUARD, FAN
51	2161302	SLEEVE
52	2172840	WIRE TIE
53	489427	SCREW
55	489478	SCREW
59	2261316	CLIP, WIRE & TUBE
63	****	FOLLOWING PARTS NOT ILLUSTRATED
63	****	REFRIGERANT CHARGE 5.0 OZ. (R-134A)
63	2209709	UNION
63	876764	VALVE, ACCESS (3/16``)
63	978025	VALVE, ACCESS (1/4``)
63	978026	VALVE, ACCESS (5/16``)
63	978027	VALVE, ACCESS (3/8``)
63	978028	VALVE, ACCESS (1/2``)
63	978029	VALVE, ACCESS (5/8``)
63	978030	VALVE, ACCESS (3/4``)

7GS6SHEXPL02 ICE MAKER





7GS6SHEXPL02 ICE MAKER

2	2256096	FITTING, WATER TUBE
5	628379	CLIP, FUSE
9	489478	SCREW
10	2304757	VALVE, SOLENOID
16	489385	CLIP, TUBE
17	489084	SCREW
18	2174358	COVER
19	488649	SCREW
20	628228	MOLD & HEATER ASSEMBLY (ALSO ORDER 542638)
22	628356	BEARING & INLET
23	627843	EJECTOR
24	2198598	ICE STRIPPER
25	2194712	SUPPORT
26	2315522	RETAINER THERMOSTAT
27	627985	THERMOSTAT (ALSO ORDER 542369)
28	8533917	SCREW
29	2303583	BRACKET, ICEMAKER MOUNTING
30	489276	SCREW
32	2187467	HARNESS, WIRING
35	626678	MODULE ASSEMBLY (INCLUDES ITEMS 37 & 38)
37	626676	MOTOR
38	489136	SCREW
100	2198597	COMPLETE ICEMAKER ASSEMBLY