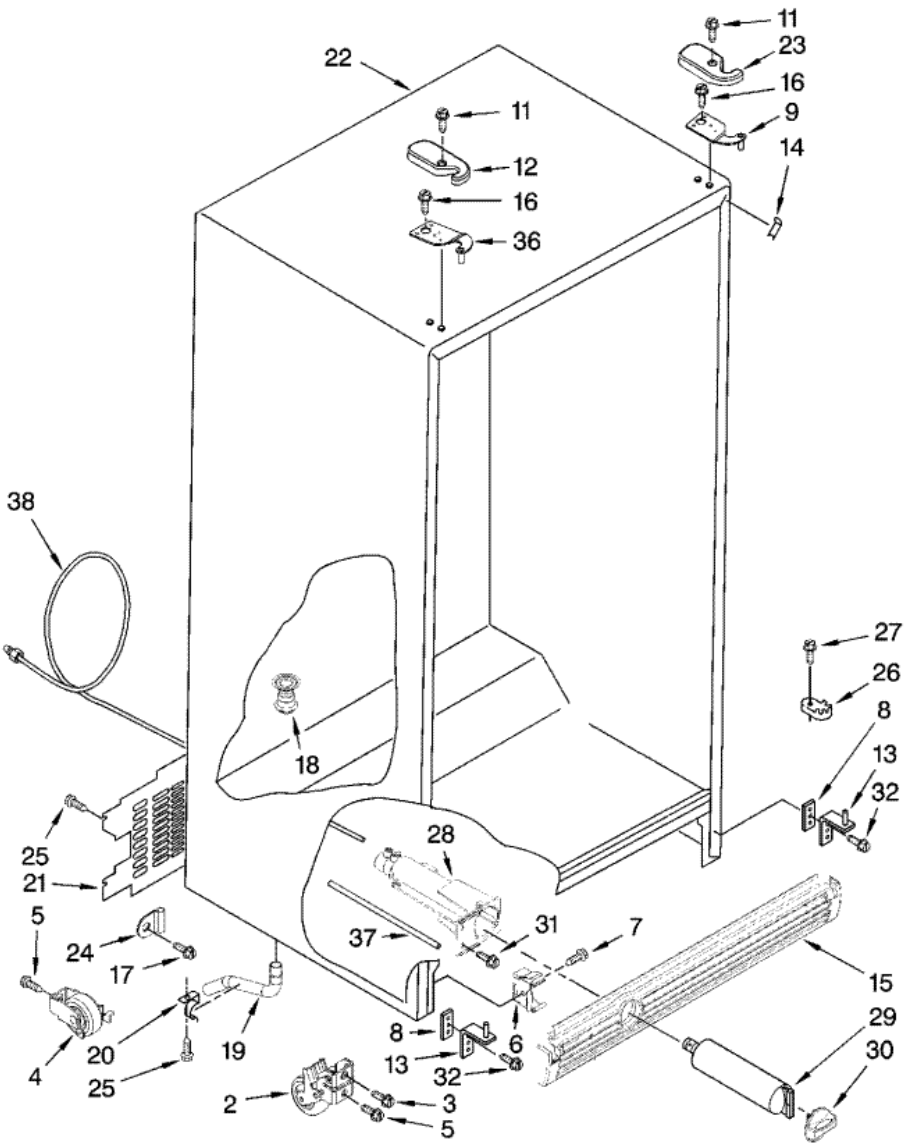


7GS6SHEXPQ01 CABINET





7GS6SHEXPQ01 CABINET

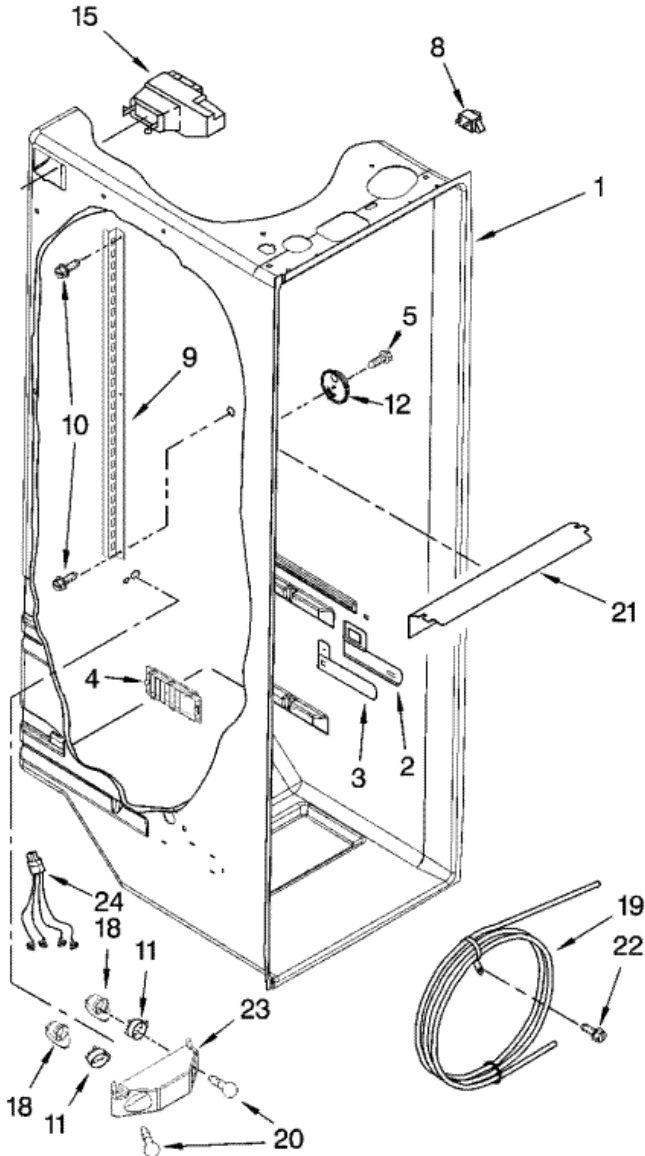
2	4386774	FRONT ROLLER (2) (S/P)
3	3400517	SCREW (S/P)
4	2196236	ROLLER (REAR) (2) (S/P)
6	2155013	CLIP, GRILLE (S/P)
8	2181911	SHIM (S/P)
9	2203771	HINGE TOP (RC) (S/P)
11	8281227	SCREW (S/P)
12	2203407W	HINGE COVER (WHITE) (S/P)
12	2203407B	HINGE COVER (BLACK) (S/P)
13	8201707	HINGE BOTTOM (S/P)
14	2196094	FILLER, WRAPPER (WHITE) (S/P)
14	2196097	FILLER, WRAPPER (BLACK) (S/P)
15	2198468B	GRILLE (BLACK) (S/P)
15	2198468W	GRILLE (WHITE) (S/P)
17	488687	SCREW (S/P)
18	2304888	DRAIN FITTING (S/P)
19	1108438	EXTENSION TUBE (S/P)
20	1108439	CLIP, DRAIN TUBE (S/P)
21	2214571	COVER, UNIT (S/P)
22	*****	CABINET DESCONTINUADO
23	2203408B	HINGE COVER (BLACK) (S/P)
23	2203408W	HINGE COVER (WHITE) (S/P)
24	596171	CLAMP, SERVICE CORD (S/P)
25	489084	SCREW (S/P)
26	2155311	DOOR CLOSER, LOWER CAM (2)
27	489483	SCREW (S/P)
28	2186443	HOUSING, WATER FILTER (S/P)
29	4392857	WATER FILTER
30	2186494B	CAP, WATER FILTER (BLACK) (S/P)
30	2186494W	CAP, WATER FILTER (WHITE) (S/P)
36	2203770	HINGE TOP (FC) (S/P)
37	2255153	TUBE, FILTER OUTLET (S/P)
38	2304697	TUBE, FILTER INLET (S/P)

Distribuidor Autorizado

SurteRápido.com

Venta de Refacciones
Electrodomesticas

7GS6SHEXPQ01 REFRIGERATOR LINER

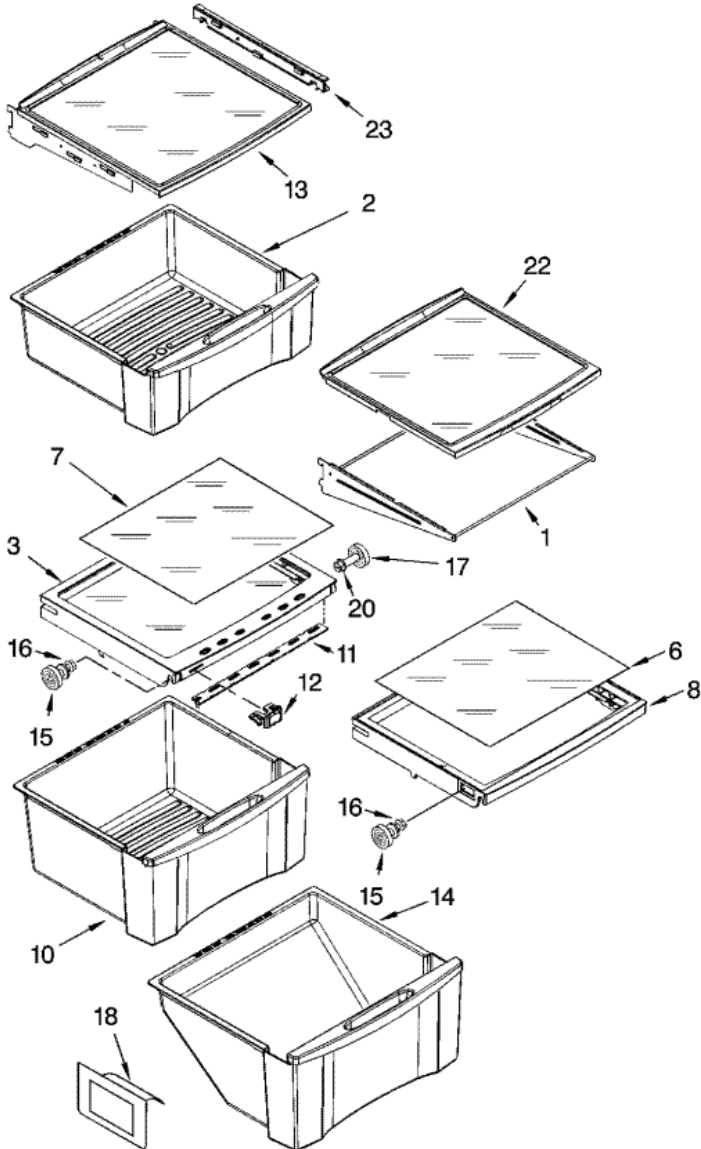




7GS6SHEXPQ01 REFRIGERATOR LINER

1	*****	LINER DESCONTINUADO
2	2194744	ESCUTCHEON, MEAT PAN CONTROL (S/P)
3	2182757	SLIDE MEAT PAN CONTROL (S/P)
4	2257741	LOUVER (S/P)
5	486298	SCREW (S/P)
8	1118894	SWITCH, ROCKER ARM (S/P)
9	2206273	SHELF LADDER (S/P)
10	489478	SCREW (S/P)
11	2169193	SHROUD, LIGHT (S/P)
12	2261601	DOOR CONTROL ASM (S/P)
15	2209753	AIR DIFFUSER ASSEMBLY
18	2162085	SOCKET
19	2217199	RESERVOIR (S/P)
20	2255743	LIGHT BULB (S/P)
21	2209769	LIGHT LENS (S/P)
22	488280	SCREW (S/P)
23	2256035	BRACKET, DUAL CRISPER (S/P)
24	2256037	WIRE HARNESS, DUAL CRISPER (S/P)

**7GS6SHEXPQ01 REFRIGERATOR
SHELF**

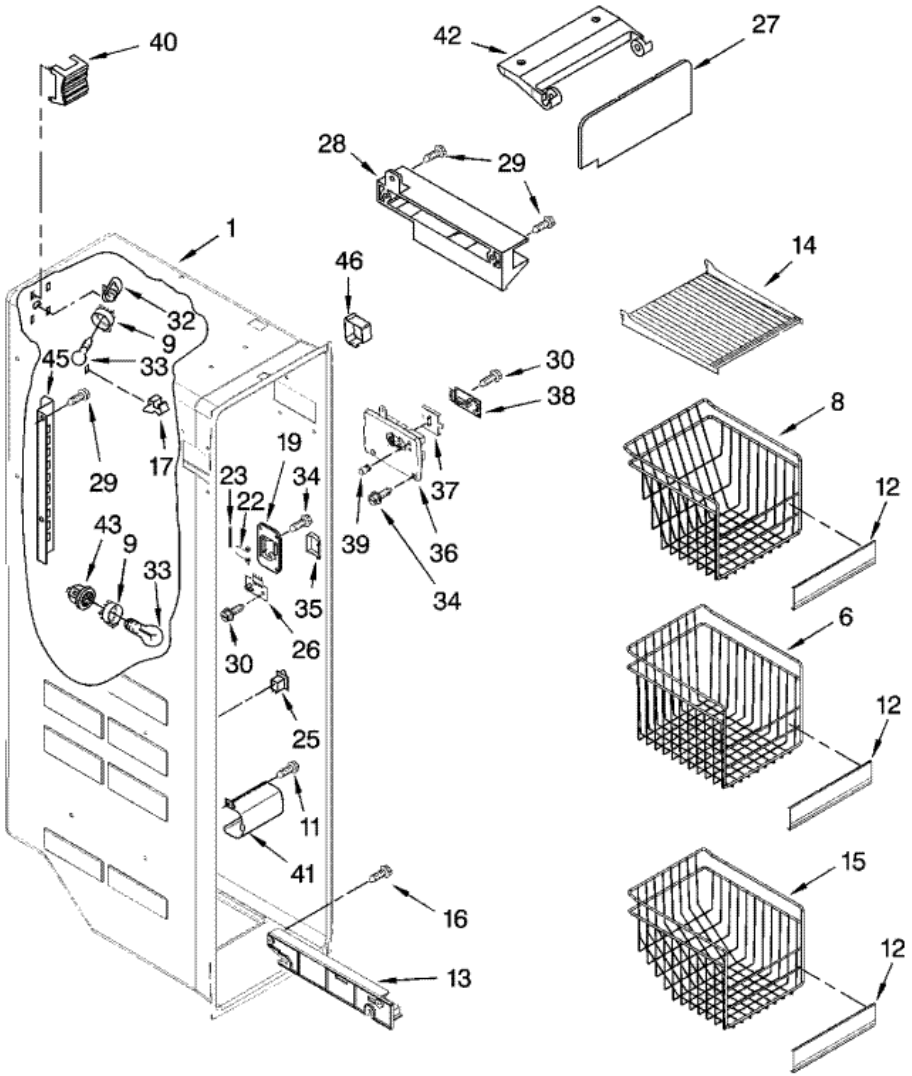




7GS6SHEXPQ01 REFRIGERATOR SHELF

1	2223517	FRAME ASSEMBLY (2) (S/P)
2	2223261	SNACK BIN ASM (S/P)
3	2223592	COVER, CRISPER (S/P)
6	2223714	GLASS, MEAT COVER (S/P)
7	2223591	GLASS, COVER (S/P)
8	2223242	COVER, MEAT PAN (S/P)
10	2223235	CRISPER PAN ASM (S/P)
11	2223308	SLIDE, HUMIDITY CONTROL (S/P)
12	2223309	KNOB, HUMIDITY CONTROL (S/P)
13	2223288	SHELF PAN ASSEMBLY (S/P)
14	2223243	MEAT PAN ASM (S/P)
15	2196485	STUD ASSEMBLY (S/P)
16	3400894	SCREW (S/P)
17	2196483	STUD ASSEMBLY (S/P)
18	2179350	DEFLECTOR (S/P)
20	8281158	SCREW (S/P)
22	2255160	SHELF, SLIDE OUT (2) (S/P)
23	2223320	SLIDE, PAN

7GS6SHEXPQ01 FREEZER LINER

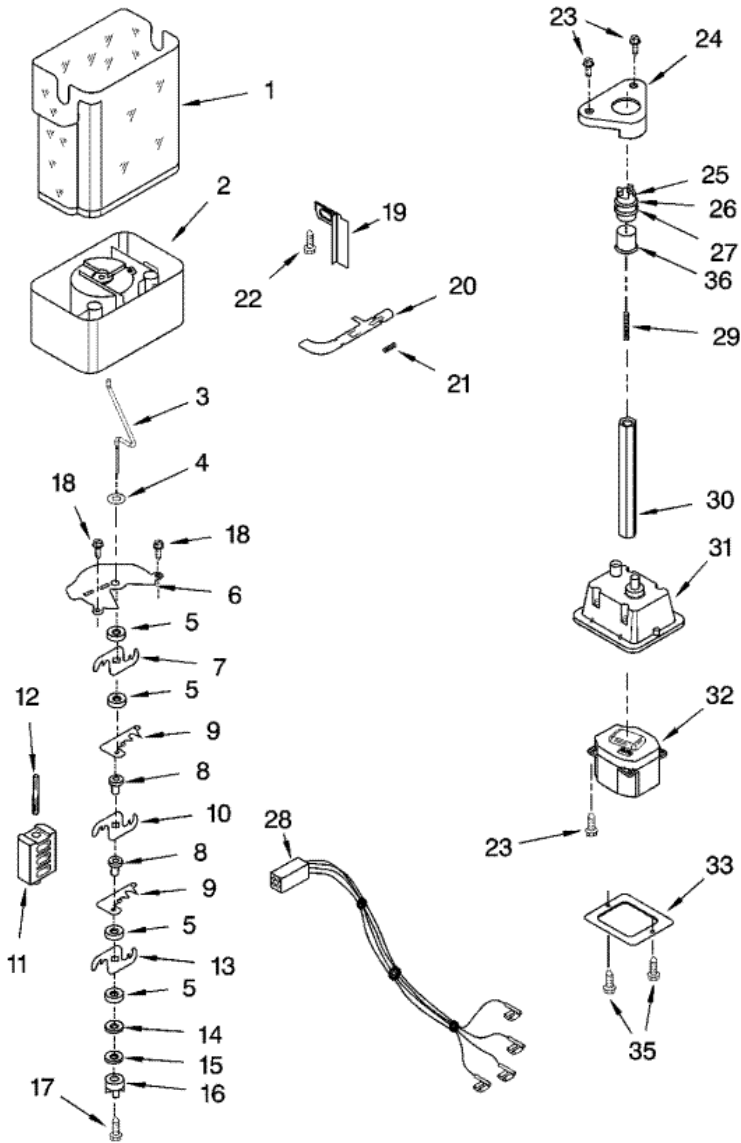




7GS6SHEXPQ01 FREEZER LINER

1	*****	LINER DESCONTINUADO
6	2301190	BASKET, TALL (S/P)
8	2301189	BASKET, TOP (S/P)
9	4387478	SHROUD, LIGHT
12	2195905K	TRIM, BASKET (S/P)
13	2301289	SHELF TRACK (3) (RIGHT SIDE) (S/P)
13	2301290	SHELF TRACK (3) (LEFT SIDE) (S/P)
14	2205837K	SHELF (S/P)
15	2301191	BASKET (S/P)
17	842534	CLIP, AIR DUCT (2) (S/P)
19	2255572	COVER, EMITTER (S/P)
22	2198635	SPRING (S/P)
23	2198634	PIN (S/P)
25	4387911	SWITCH, ROCKER ARM (S/P)
26	4389102	P.C. BOARD EMITTER
27	2255588	COVER, ICE MAKER (S/P)
28	2212321	SLIDE, ICE MAKER MOUNTING (S/P)
30	489214	SCREW (S/P)
32	4387478	LIGHT SOCKET
33	2255743	LIGHT BULB (S/P)
34	8281185	SCREW (S/P)
35	2198633	FLIPPER (S/P)
36	2255558	COVER, RECEIVER (S/P)
37	2255562	SLIDE, ICE MAKER SHUT OFF (S/P)
38	4389102	P.C. BOARD, RECEIVER
39	2198643	LENS (S/P)
40	2302848	LIGHT SHIELD (S/P)
41	4389127	LIGHT LENS (S/P)
42	2198641	BRACKET, ICE MAKER COVER (S/P)
43	2155597	SOCKET, LIGHT (S/P)
45	2198609	LADDER (LEFT SIDE) (S/P)
45	2198610	LADDER (RIGHT SIDE) (S/P)
46	2219878	SHIELD, WIRING (S/P)

7GS6SHEXPQ01 MOTOR AND ICE CONTAINER

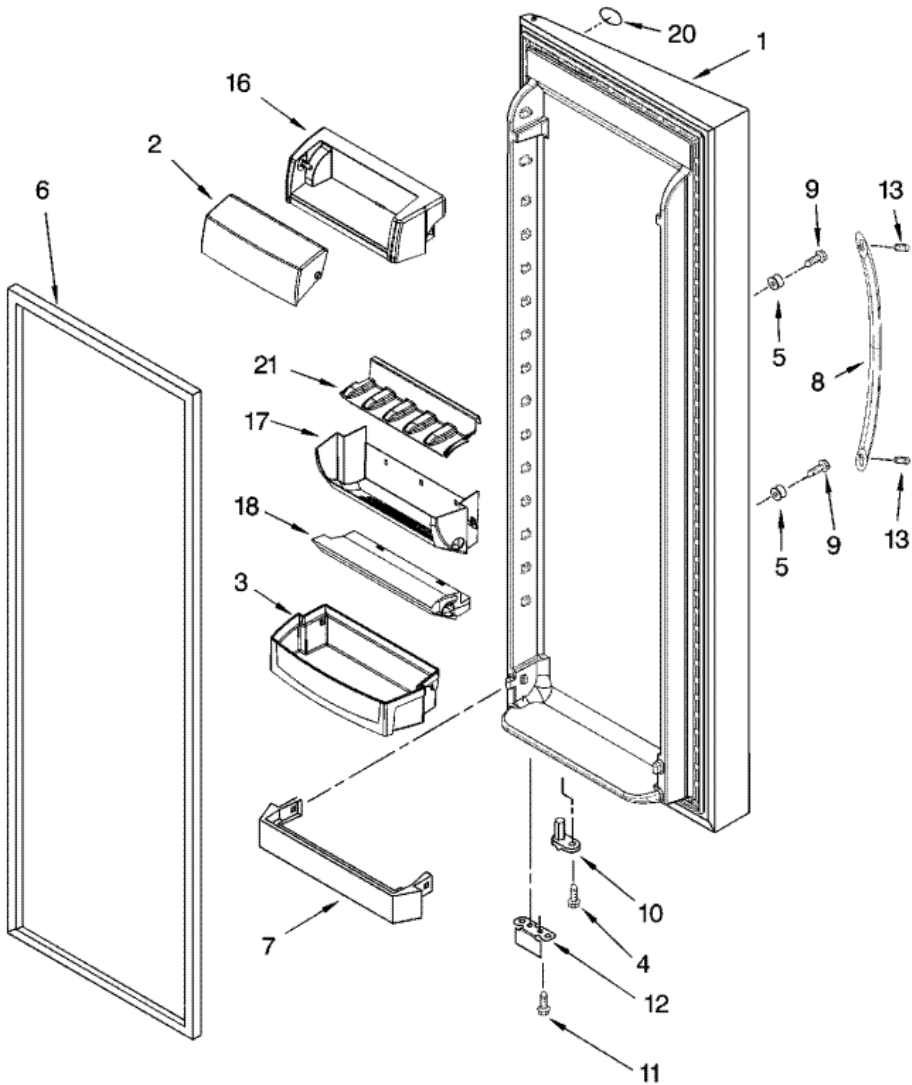




7GS6SHEXPQ01 MOTOR AND ICE CONTAINER

1	2198573	ICE BIN (S/P)
2	2255574	CRUSHER BIN (S/P)
3	2320327	AUGER (S/P)
4	2258220	WASHER (S/P)
5	1119007	SPACER, FLAT (4)
6	2255460	COVER, CRUSHER (S/P)
7	2257024	BLADE, ROTARY
8	1119005	SPACER, STEP (2)
9	2257020	BLADE, FIXED
10	2257023	BLADE, ROTARY
11	2198602	BLOCK, BLADE
12	489229	ROLL PIN
13	2257022	BLADE, ROTARY
14	489235	WASHER, PLAIN
15	2198661	WASHER, COUPLING
16	2220457	COUPLING
17	8281164	SCREW
19	2255575	BUTTON, BIN (S/P)
20	2212371	LATCH, BIN (S/P)
21	2198608	SPRING, LATCH (S/P)
22	2198671	SCREW (2) (S/P)
24	2212369	HOLDER (S/P)
25	2220458	COUPLING, BOTTOM (S/P)
26	2198628	SEAL (S/P)
27	2212370	WASHER (S/P)
28	2187725	WIRE HARNESS, IDI MOTOR (S/P)
29	2198607	SPRING (S/P)
30	999536	DRIVE SHAFT (S/P)
31	2256154	ENCLOSURE, MOTOR (S/P)
32	2188860	DISPENSER, MOTOR (S/P)
33	2212305	COVER (S/P)
36	2212365	SLEEVE, COUPLING (S/P)
100	2258243	ICE CONTAINER (COMPLETE) (S/P)

**7GS6SHEXPQ01 REFRIGERATOR
DOOR**





7GS6SHEXPQ01 REFRIGERATOR DOOR

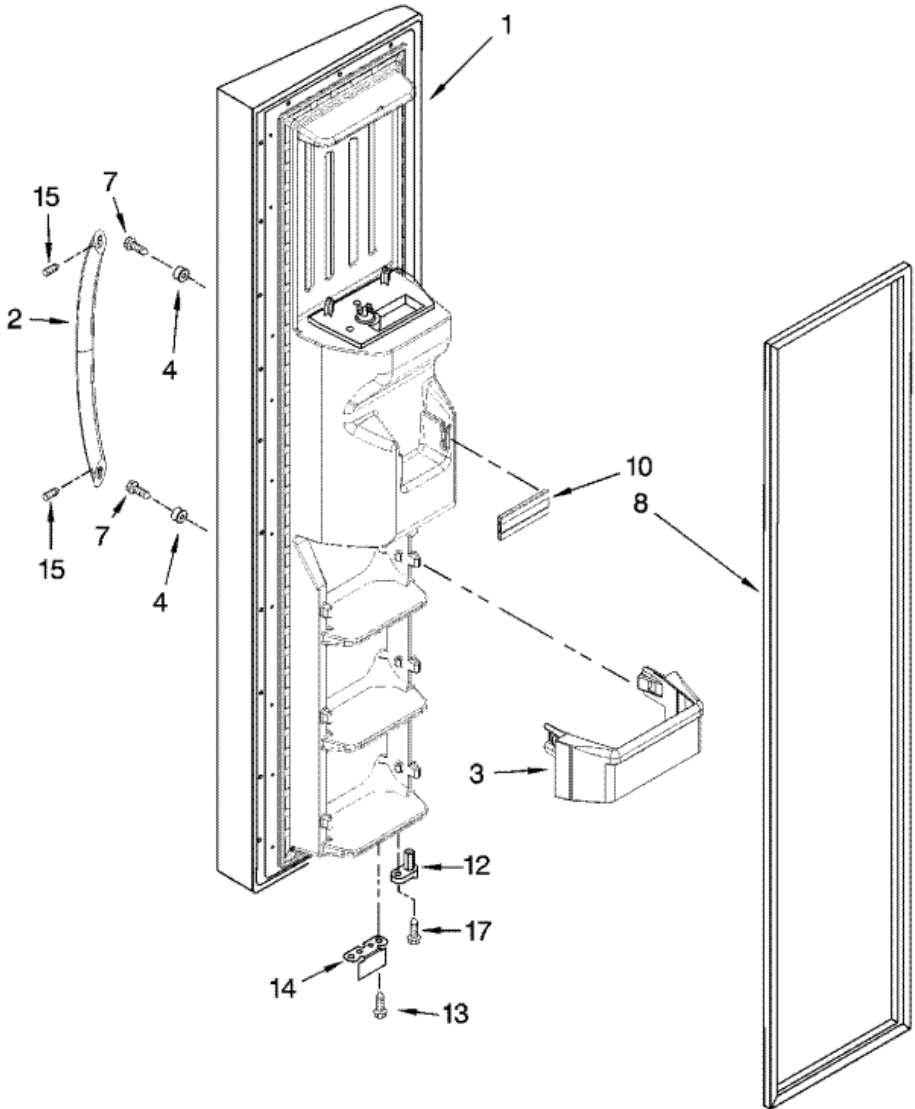
1	2303522LB	REFRIGERATOR DOOR (STAINLESS-VCM) (S/P)
1	2303522W	REFRIGERATOR DOOR (WHITE) (S/P)
2	2255421	DAIRY DOOR (S/P)
3	2223239K	DOOR BIN (3) (S/P)
4	3400012	SCREW (S/P)
5	2219698	STUD (S/P)
6	2159083	DOOR GASKET, MAGNETIC (BLACK) (S/P)
6	2159075	DOOR GASKET, MAGNETIC (MIST BEIGE) (S/P)
7	2156022	TRIVET (S/P)
8	2303277W	HANDLE (INCLUDES 13) (WHITE) (S/P)
8	2303277S	HANDLE (INCLUDES 13) (STAINLESS) (S/P)
9	488208	SCREW (S/P)
10	2182179	DOOR CLOSER, UPPER CAM (S/P)
11	489420	SCREW (S/P)
12	2200082	BRACKET, DOOR STOP (CHROME) (S/P)
12	2200082B	BRACKET, DOOR STOP (BLACK) (S/P)
13	8533918	SCREW (S/P)
16	2255420	DOOR COMPARTMENT (S/P)
17	2255422	FRAME, CAN RACK (S/P)
18	2255424	AIR DIFFUSER ASM (S/P)
20	2220214	NAMEPLATE (S/P)
21	2255423	FLOOR, CAN RACK (S/P)

Distribuidor Autorizado

SurteRápido.com

Venta de Refacciones
Electrodomesticas

7GS6SHEXPQ01 FREEZER DOOR





7GS6SHEXPQ01 FREEZER DOOR

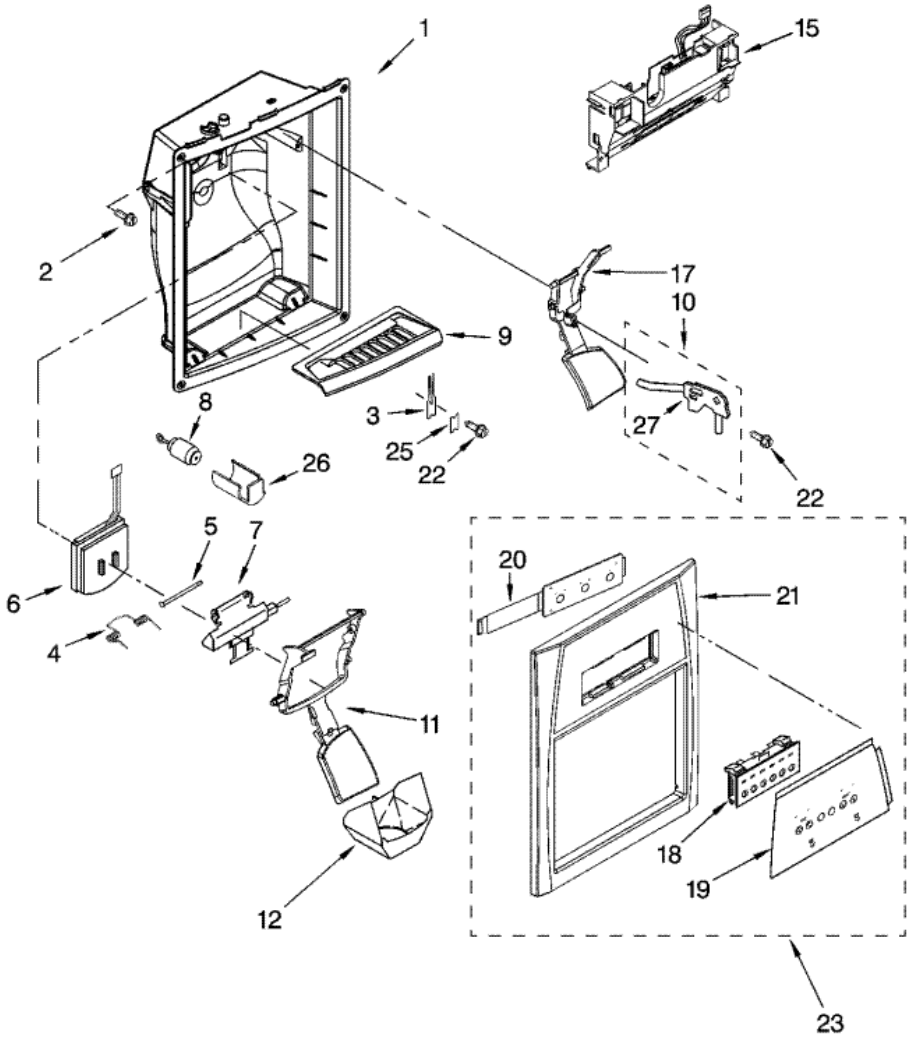
1	2317487LB	FREEZER DOOR (STAINLESS-VCM) (S/P)
1	2317487W	FREEZER DOOR (WHITE) (S/P)
2	2303277W	HANDLE (INCLUDES 15) (WHITE) (S/P)
2	2303277S	HANDLE (INCLUDES 15) (STAINLESS) (S/P)
3	2171157	TRIVET (3) (S/P)
4	2219698	STUD (S/P)
7	488208	SCREW (S/P)
8	2159074	DOOR GASKET, MAGNETIC (MIST BEIGE) (S/P)
8	2159082	DOOR GASKET, MAGNETIC (BLACK) (S/P)
10	2219982	TRIM, DOOR SHELF (S/P)
12	2182179	DOOR CLOSER, UPPER CAM (S/P)
13	489420	SCREW (S/P)
14	2200082	BRACKET, DOOR STOP (CHROME) (S/P)
14	2200082B	BRACKET, DOOR STOP (BLACK) (S/P)
15	8533918	SCREW (S/P)
17	3400012	SCREW (S/P)

Distribuidor Autorizado

SurteRápido.com

Venta de Refacciones
Electrodomesticas

7GS6SHEXPQ01 DISPENSER FRONT

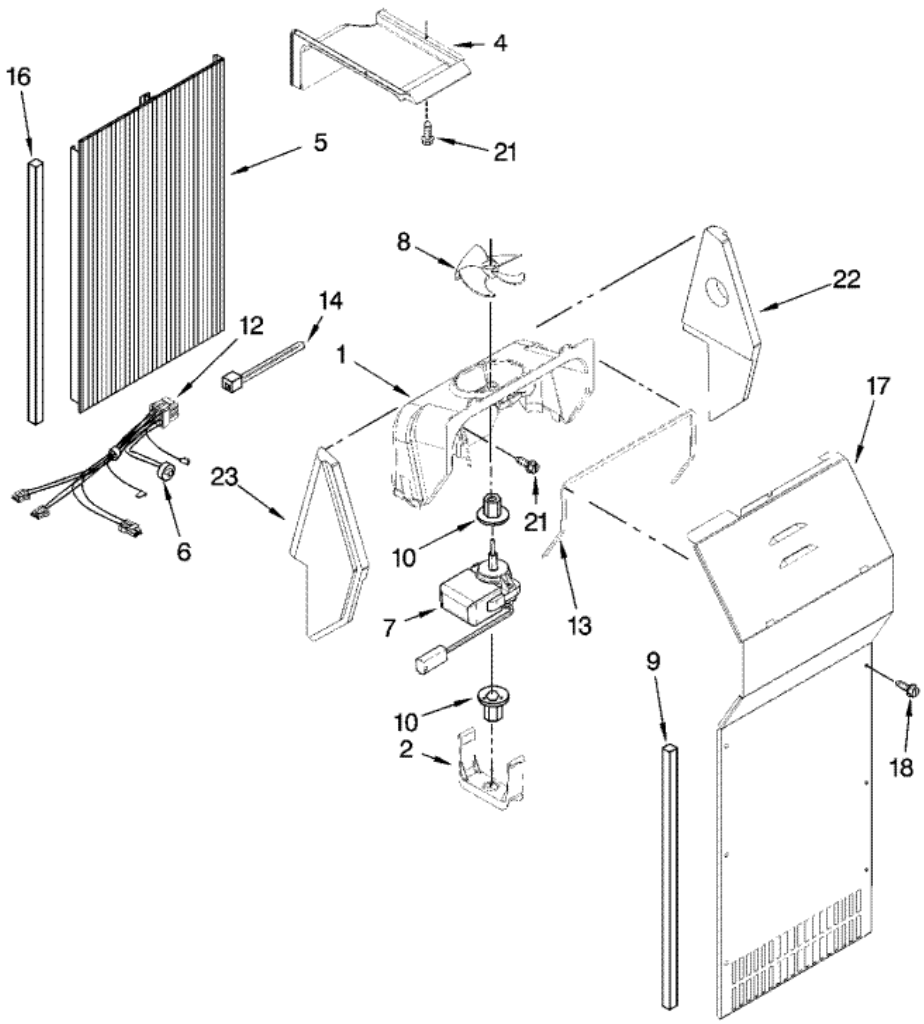




7GS6SHEXPQ01 DISPENSER FRONT

1	*****	HOUSING, DISPENSER DESCONTINUADO
2	3196537	SCREW (S/P)
3	2194719	RETAINER, LEVERS
4	2180209	SPRING, TORSION (S/P)
5	2196195	PIN (S/P)
6	2180353	DOOR, ICE
7	8201649	DOOR MECHANISM ASSEMBLY
8	8201649	MECHANISM DELAY
9	2207007W	GRILLE, OVERFLOW (WHITE) (S/P)
9	2207007B	GRILLE, OVERFLOW (BLACK) (S/P)
10	8201537	WATER FITTING ASSEMBLY (S/P)
11	2255431B	LEVER, ICE DISPENSER (BLACK) (S/P)
11	2255431W	LEVER, ICE DISPENSER (WHITE) (S/P)
12	2180224	GUIDE, ICE
15	2252163	BRACKET, CONTROL (S/P)
17	2255432B	LEVER, WATER DISPENSER (BLACK) (S/P)
17	2255432W	LEVER, WATER DISPENSER (WHITE) (S/P)
18	*****	SWITCH ASSEMBLY DESCONTINUADO
19	*****	OVERLAY, FRONT COVER DESCONTINUADO
20	*****	LED DISPLAY WITH AUTO NIGHT DESCONTINUADO
21	*****	FRONT COVER, HOUSING DESCONTINUADO
22	489000	SCREW (S/P)
23	2252080B	FRONT COVER (18, 19, 20 & 21) (BLACK) (S/P)
23	2252080W	FRONT COVER (18, 19, 20 & 21) (WHITE) (S/P)
25	2195051	STRAIN RELIEF (S/P)
26	2252127	SLEEVE, MECHANISM DISPLAY (S/P)
27	2304673	BRACKET, DISPENSER (S/P)

7GS6SHEXPQ01 AIR FLOW

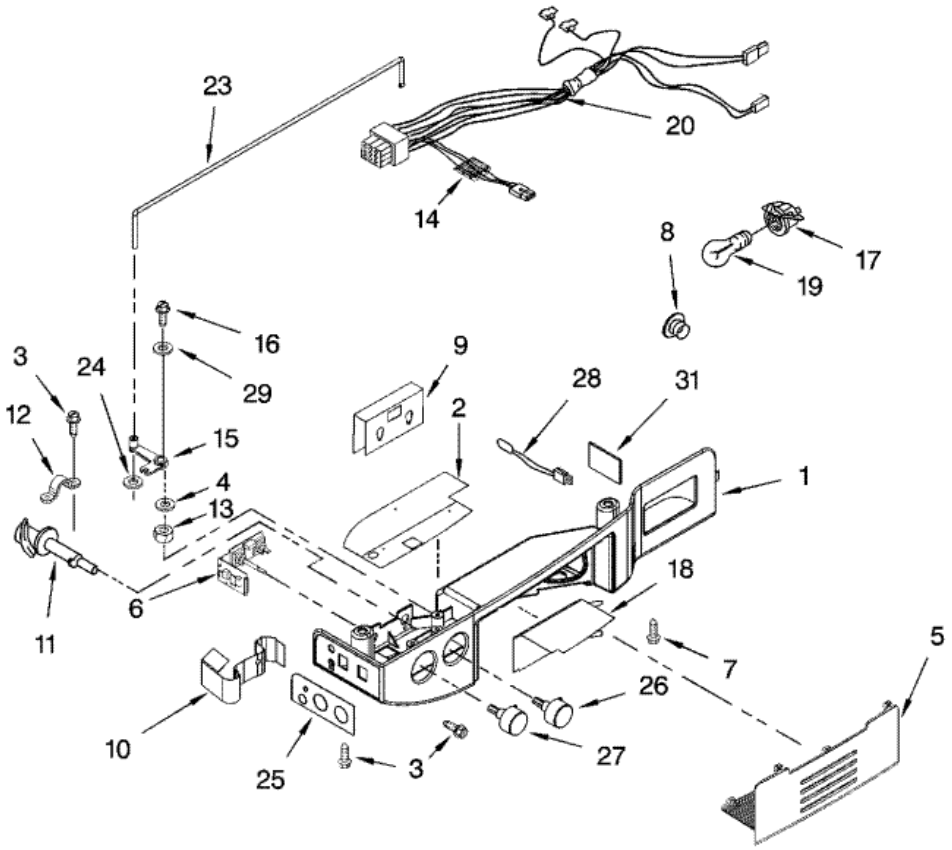




7GS6SHEXPQ01 AIR FLOW

1	2182120	FAN SCROLL (S/P)
2	2155590	RETAINER FAN MOTOR (S/P)
4	2313359	AIR DUCT, UPPER (S/P)
5	2198580	AIR DUCT FREEZER (S/P)
6	2319914	BI-METAL, DEFROST
7	4389144	FAN MOTOR
8	2169142	FAN BLADE (S/P)
9	2304241	GASKET, EVAPORATOR COVER (2) (S/P)
10	2176759	FAN GROMMET (2) (S/P)
12	2310114	HARNESS, FAN EVAPORATOR (INCLUDES 6) (S/P)
13	2155789	GASKET, FAN SCROLL (S/P)
14	3347868	STRAP (S/P)
16	4388500	GASKET (S/P)
17	2206314	COVER, EVAPORATOR (INCLUDES 9) (S/P)
18	8281159	SCREW (6) (S/P)
21	489478	SCREW (S/P)
22	4388358	SUPPORT, R.S. (S/P)
23	4388358	SUPPORT, L.S. (S/P)

7GS6SHEXPQ01 CONTROL





7GS6SHEXPQ01 CONTROL

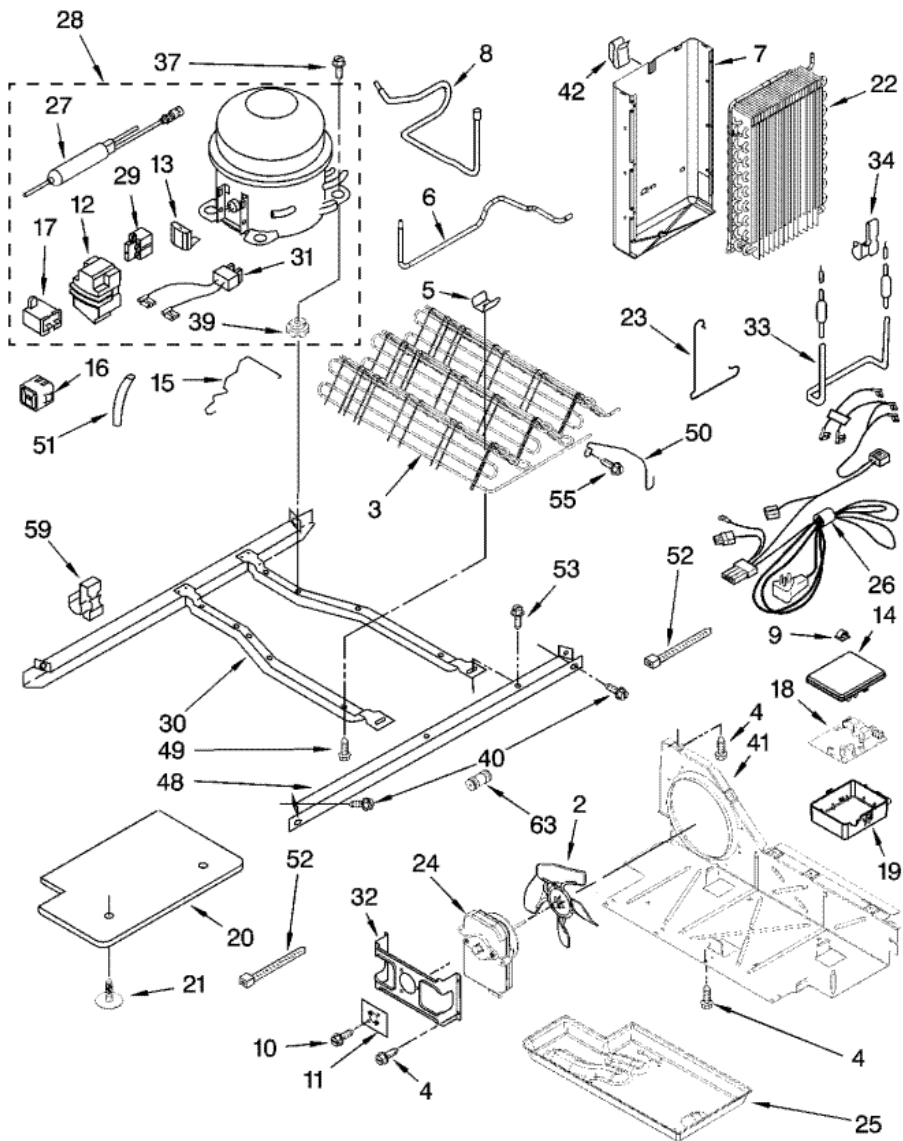
1	2255222	CONTROL BOX
2	2261773	SHIELD (S/P)
3	3196537	SCREW (4) (S/P)
4	3400972	WASHER (S/P)
5	2255225	LENS, LIGHT (S/P)
6	2304103	ELECTRONIC CONTROL (S/P)
7	489084	SCREW (2) (S/P)
8	940014	HOLE PLUG (S/P)
9	2188928	SHIELD, ELECTRICAL (S/P)
10	2305538	SHIELD, ELECTRICAL (INTERNAL) (S/P)
11	2255226	CAM ASSEMBLY (S/P)
12	2255413	BEARING BODY (S/P)
13	3400971	NUT, HEX (S/P)
14	2308165	FERRITE BEAD (S/P)
15	2255227	PIVOT ARM (S/P)
16	627068	SCREW (S/P)
17	4387478	LIGHT SOCKET
18	2255666	SHIELD, HEAT (S/P)
19	2255743	LIGHT BULB (S/P)
20	2187965	CONTROL BOX HARNESS (S/P)
23	2255228	CONNECTING ROD (S/P)
24	489285	FASTNER, PUSH-ON (S/P)
25	2255611	ESCUTCHEON, CONTROL BOX (S/P)
26	2255232	KNOB, RC (S/P)
27	2255992	KNOB, FC (S/P)
28	2188819	THERMISTOR (S/P)
29	489203	SPRING WASHER (S/P)
31	2261265	AIR SEAL, THERMISTOR (S/P)

Distribuidor Autorizado

SurteRápido.com

Venta de Refacciones
Electrodomesticas

7GS6SHEXPQ01 UNIT



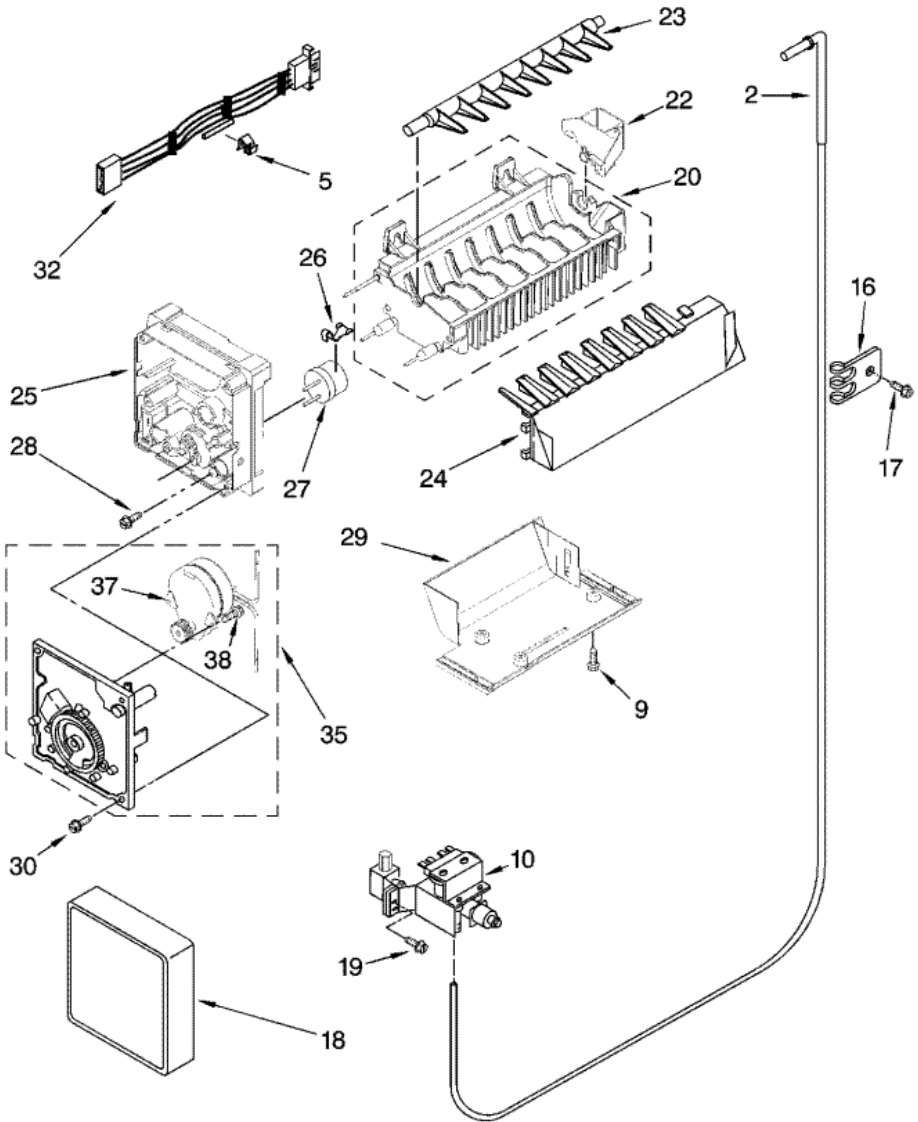


7GS6SHEXPQ01 UNIT

2	8201630	FAN, BLADE (S/P)
3	2223953	CONDENSER ASSEMBLY (S/P)
4	489464	SCREW (S/P)
5	2216914	CLIP, CONDENSER (S/P)
6	2261599	TUBE, CONDENSER TO HEAT LOOP (S/P)
7	2256150	HEAT SHIELD AND DRAIN PAN (S/P)
8	2205765	TUBE SUCTION (S/P)
9	1115374	CLIP, WIRING (S/P)
10	8281160	SCREW (S/P)
11	2216997	BRACKET, INSERT (S/P)
12	2162358	COVER (SERVICE ONLY) (S/P)
13	2154697	OVERLOAD (SERVICE ONLY) (S/P)
14	2255624	COVER (S/P)
15	2255199	CLIP, RETAINING (S/P)
16	2319792	START-DEVICE, (S/P)
17	2169373	CAPACITOR (SERVICE)
18	2304095	ELEC. CONTROL
19	2255623	CONTROL BOX (S/P)
20	2304899	UNIT COVER, BOTTOM (S/P)
21	489396	CLIP (S/P)
22	2188823	EVAPORATOR (S/P)
23	2161324	CLIP (S/P)
24	2188729	MOTOR, FAN (S/P)
25	842041	TRAY, EVAPORATOR (S/P)
26	2187739	HARNESS, UNIT (S/P)
27	4387019	DRIER (SERVICE) (S/P)
27	4387019	DRIER (PRODUCTION) (S/P)
28	8201558	COMPRESSOR (S/P)
29	2262185	RELAY (SERVICE ONLY) (S/P)
30	2304904	UNIT MOUNTING FRAME (S/P)
31	2172890	WIRE, CAPACITOR (SERVICE ONLY) (S/P)
32	2181929	BRACKET, FAN MOTOR (S/P)
33	2188175	HEATER, DEFROST

34	2161330	CLIP, HEATER DESCONTINUADO
37	4388295	SCREW (S/P)
39	4388295	GROMMET (4) (PRODUCTION) (S/P)
39	4387558	GROMMET (4) (SERVICE) (S/P)
40	489340	SCREW (S/P)
41	2196202	AIR BAFFLE (S/P)
42	2155547	CLIP, HEAT (S/P)
48	2305374	UNIT MOUNTING RAIL (S/P)
49	8281232	SCREW (S/P)
50	2186495	GUARD, FAN (S/P)
51	2162499	SLEEVE (S/P)
52	3347868	WIRE TIE (S/P)
53	489427	SCREW (S/P)
55	489478	SCREW (S/P)
59	2261316	CLIP, WIRE & TUBE (S/P)
63	978025	VALVE, ACCESS (1/4") (S/P)
63	978027	VALVE, ACCESS (3/8") (S/P)
63	978028	VALVE, ACCESS (1/2") (S/P)
63	876764	VALVE, ACCESS (3/16") (S/P)
63	978026	VALVE, ACCESS (5/16") (S/P)
63	978029	VALVE, ACCESS (5/8") (S/P)
63	978030	VALVE, ACCESS (3/4") (S/P)
63	4373559	UNION (S/P)

7GS6SHEXPQ01 ICEMAKER





7GS6SHEXPQ01 ICEMAKER

2	2256096	FITTING, WATER TUBE (S/P)
5	628379	CLIP, FUSE (S/P)
9	489478	SCREW (S/P)
10	4389177	VALVE, SOLENOID
16	488366	CLIP, TUBE (S/P)
17	489084	SCREW (S/P)
18	2174358	COVER (S/P)
19	488649	SCREW (S/P)
20	628228	MOLD & HEATER ASSEMBLY (S/P)
22	628356	BEARING & INLET (S/P)
23	627843	EJECTOR (S/P)
24	2198598	ICE STRIPPER (S/P)
25	2195914	SUPPORT (S/P)
26	2315522	RETAINER, THERMOSTAT (S/P)
27	627985	THERMOSTAT (S/P)
28	8533917	SCREW (S/P)
29	2212322	BRACKET, ICE MAKER MOUNTING (S/P)
30	489276	SCREW (S/P)
32	2187467	HARNESS, WIRING (S/P)
35	8201515	MODULE ASSEMBLY (S/P)
37	626676	MOTOR (S/P)
38	489136	SCREW (S/P)
100	2198597	ICEMAKER ASSEMBLY (S/P)