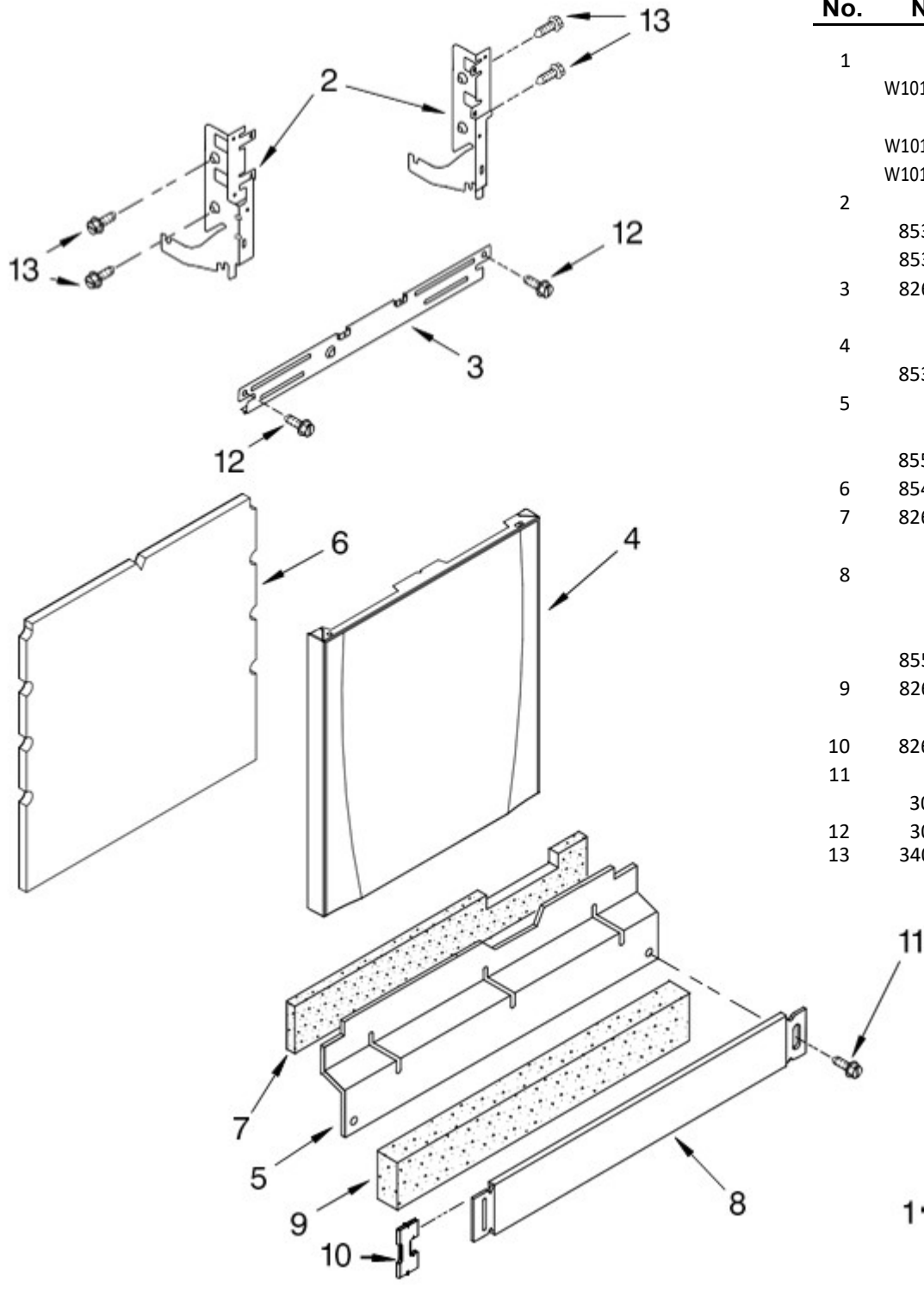
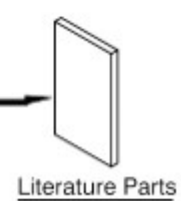




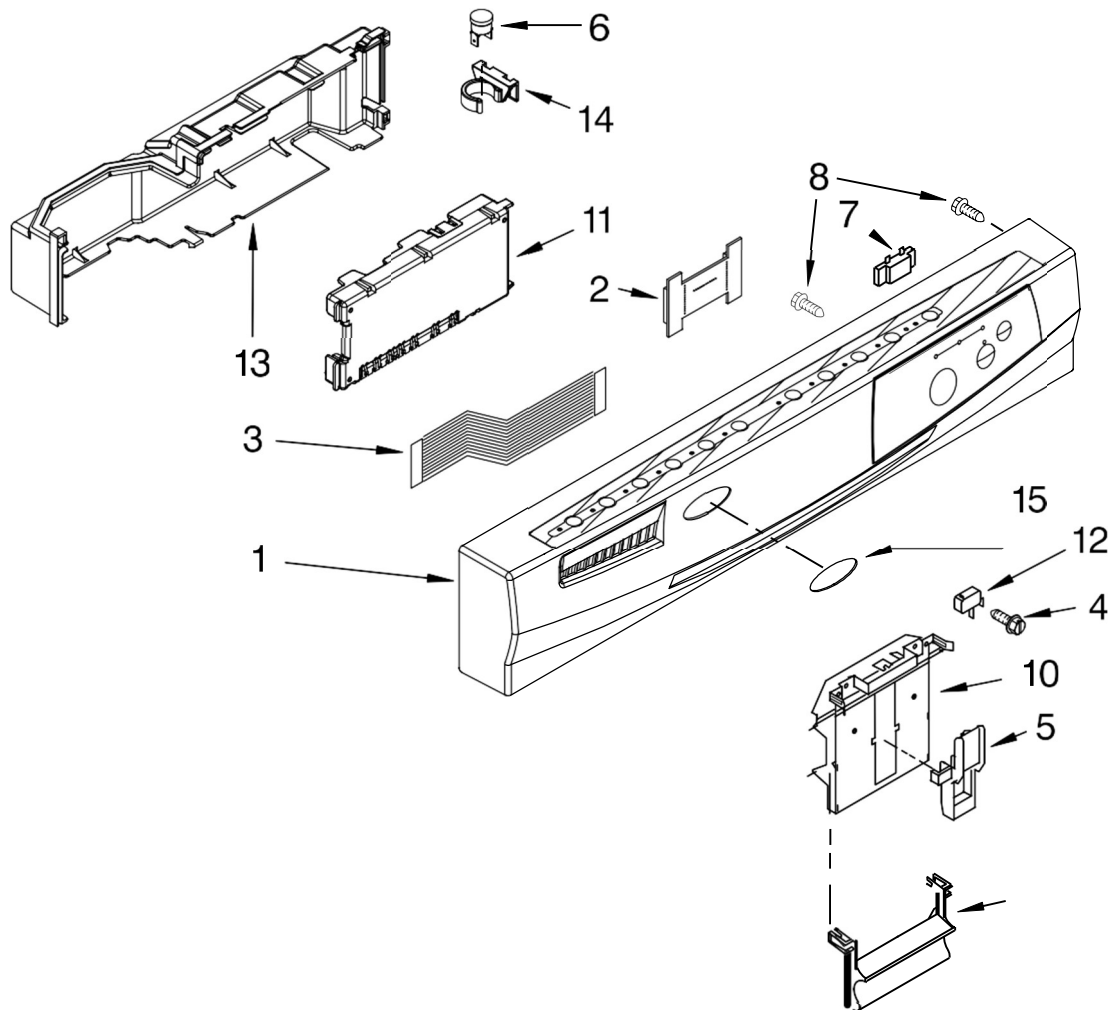
LAVAVAJILLAS 7GU3600XTSYO



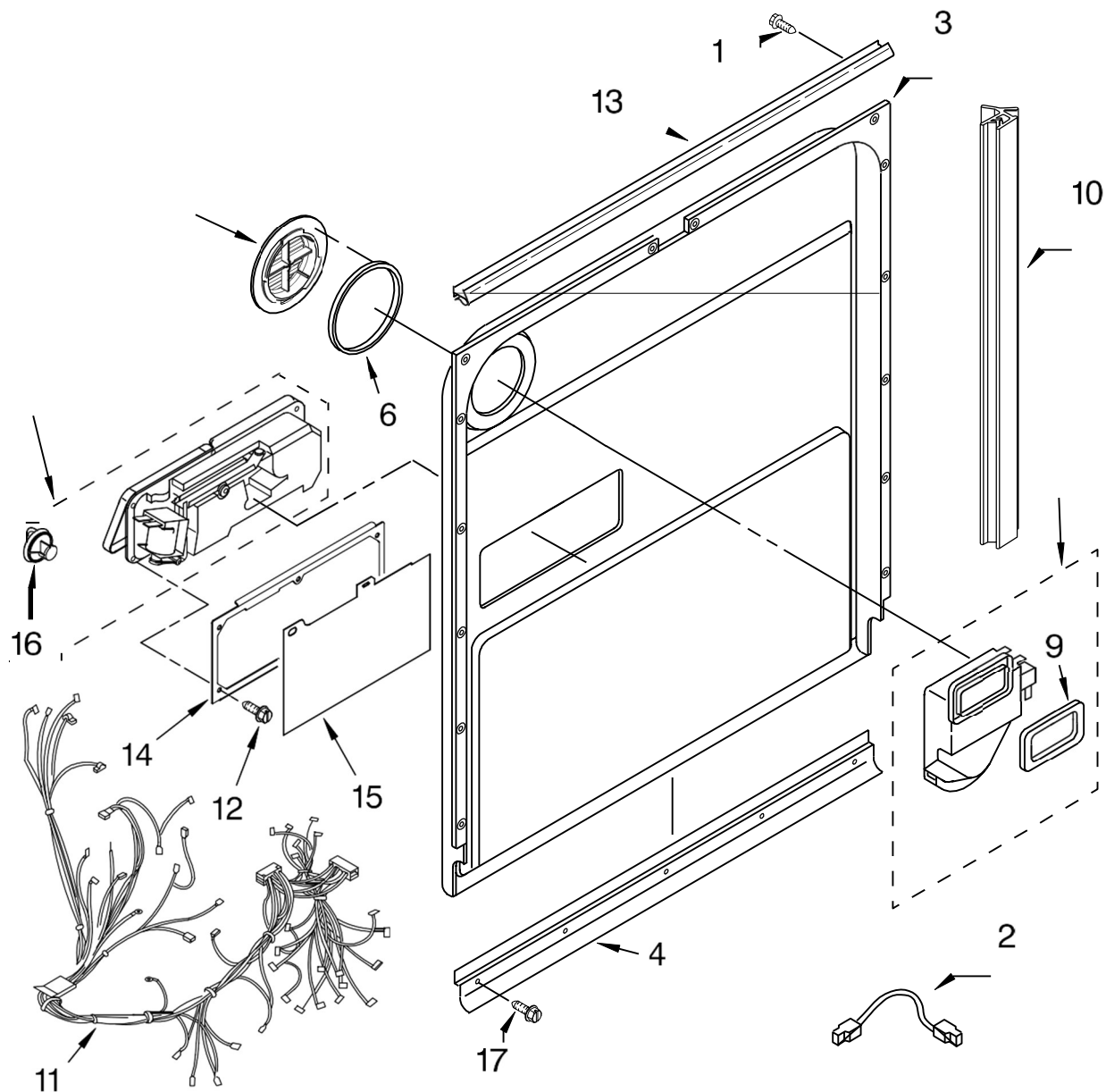
Illus. No.	Part No.	DESCRIPTION
1		Literature Parts
	W10102729	Instructions, Installation
	W10102745	Guide, Use & Care
	W10102727	Tech Sheet
2		Arm, Hinge
	8534854	Left
	8534853	Right
3	8268983	Stiffener, Door
4		Panel Front
	8537069	Stainless
5		Access Panel (Includes Item 7)
	8558256	Black
6	8542577	Insulation, Door
7	8268584	Insulation, Access Panel
8		Toe Panel (Includes Items 9 & 10)
	8558252	Black
9	8268581	Insulation, Toe Panel
10	8269016	Clip, Ground
11		Screw
	302868	Black
12	304392	Screw
13	3400071	Screw



BENITO JUÁREZ #1500 GPE ZITON, CD. GUADALUPE NUEVO LEÓN TEL: 8183377999 Y 49
 HORARIOS: LUNES A VIERNES 8:30 A 6:00 PM Y SÁBADOS DE 8:30 A 2:00 PM
 WEB: www.denek.com



Illus. No.	Part No.	DESCRIPTION	Illus. No.	Part No.	DESCRIPTION	Illus. No.	Part No.	DESCRIPTION
1		Console Asm. (Includes Active Overlay & Insert)	6	661663	Fuse, Thermal Electronic	10	8524476	Bolt, Latch
	W10102483	Silver	7	8269206	Display, Dual Digit	11	8575276	Control, Electronic
2	8535571	Board, Interconnect	8	3369051	Screw (6)	12	8269209	Switch, Door
3	8535412	Cable, Ribbon	9	8575334	Handle, Latch Grey	13	W10056090	Cover, Control Shield
4	3400412	Screw				14	8546546	Clip, BI-Metal
5	8524471	Actuator, Latch				15	9757613	Nameplate



Illus. No.	Part No.	DESCRIPTION	Illus. No.	Part No.	DESCRIPTION	Illus. No.	Part No.	DESCRIPTION
1	3369051	Screw, Door	5	8572583	Vent Assembly (Also Order Item 6)	10	8574160	Seal, Side
2	8545608	Harness, Vent Motor	6	8269259	Gasket, Vent	11	W10071150	Wiring Harness Main
3	8531026	Inner Door Mastic Assembly (Also Order Item 6)	7	8545536	Deflector, Vent (Also Order Item 6)	12	8281154	Screw (6)
4	8268937	Inlet, Air	8	8565815	Dispenser, Assembly	13	8535660	Seal, Console/door
			9	8269258	Seal, Front	14	8535637	Bracket, Dispenser
						15	8531865	Shield, Dispenser
						16	8558307	Cap, Rinse Aid
						17	8281217	Screw

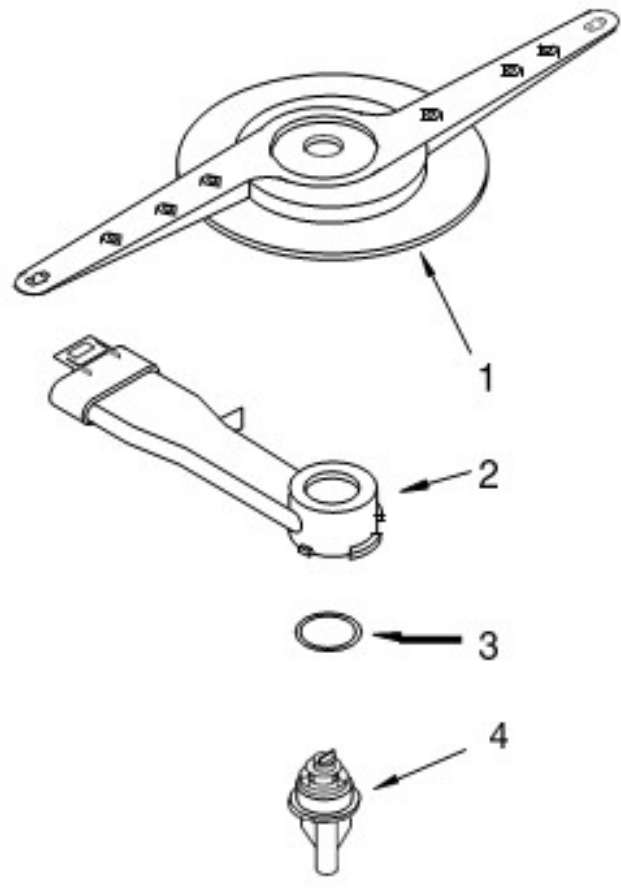
BENITO JUÁREZ #1500 GPE ZITON, CD. GUADALUPE NUEVO LEÓN TEL: 8183377999 Y 49

HORARIOS: LUNES A VIERNES 8:30 A 6:00 PM Y SÁBADOS DE 8:30 A 2:00 PM

WEB: www.denek.com



LAVAVAJILLAS 7GU3600XTSY0

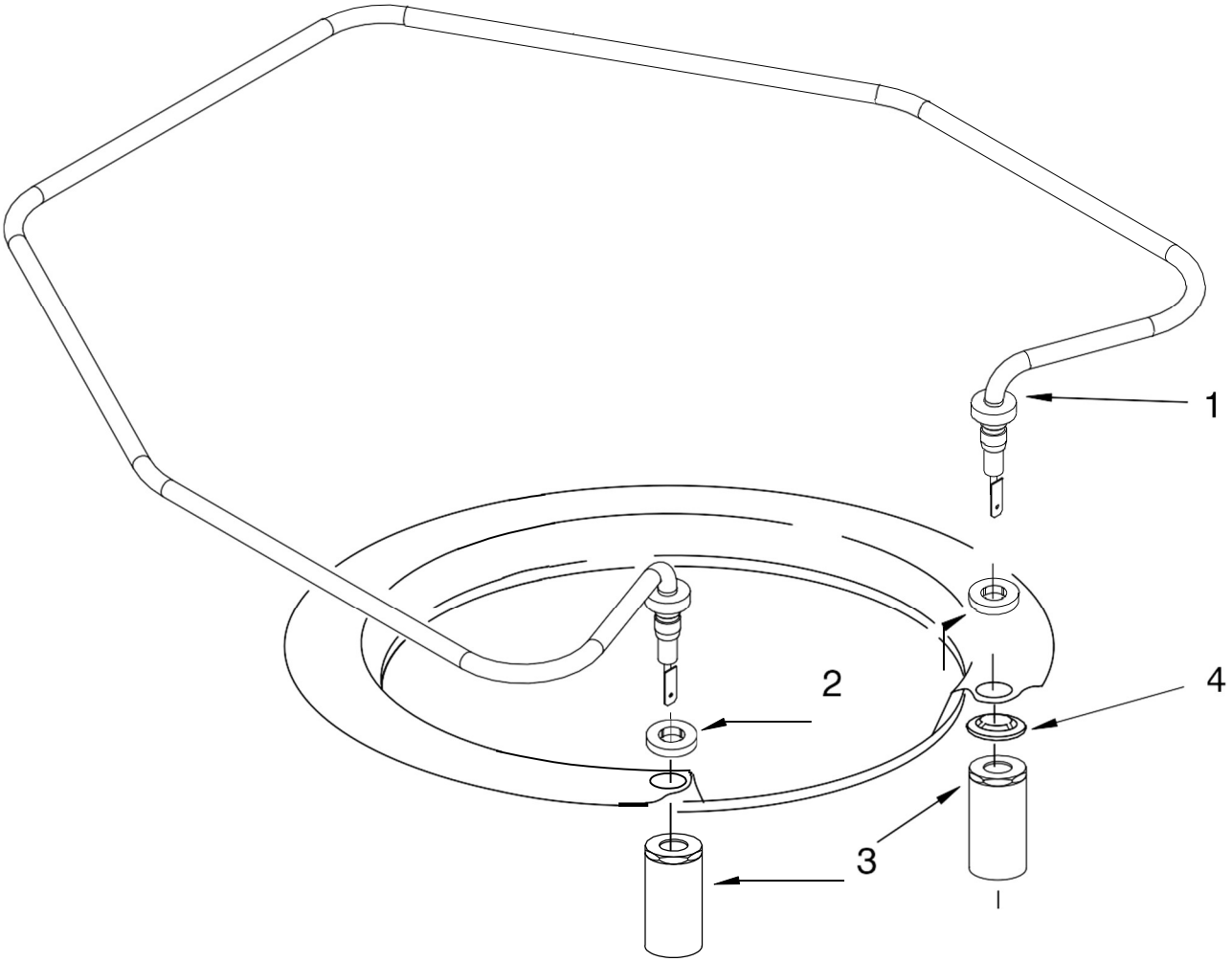


Illus. Part

No.	No.	DESCRIPTION
1	8268333	Wash Arm Assembly
2	8268343	Cap, Internal Rear Feed
3	8268340	Seal, Sprayarm
4	8268342	Support, Lower Sprayarm



LAVAVAJILLAS 7GU3600XTSY0



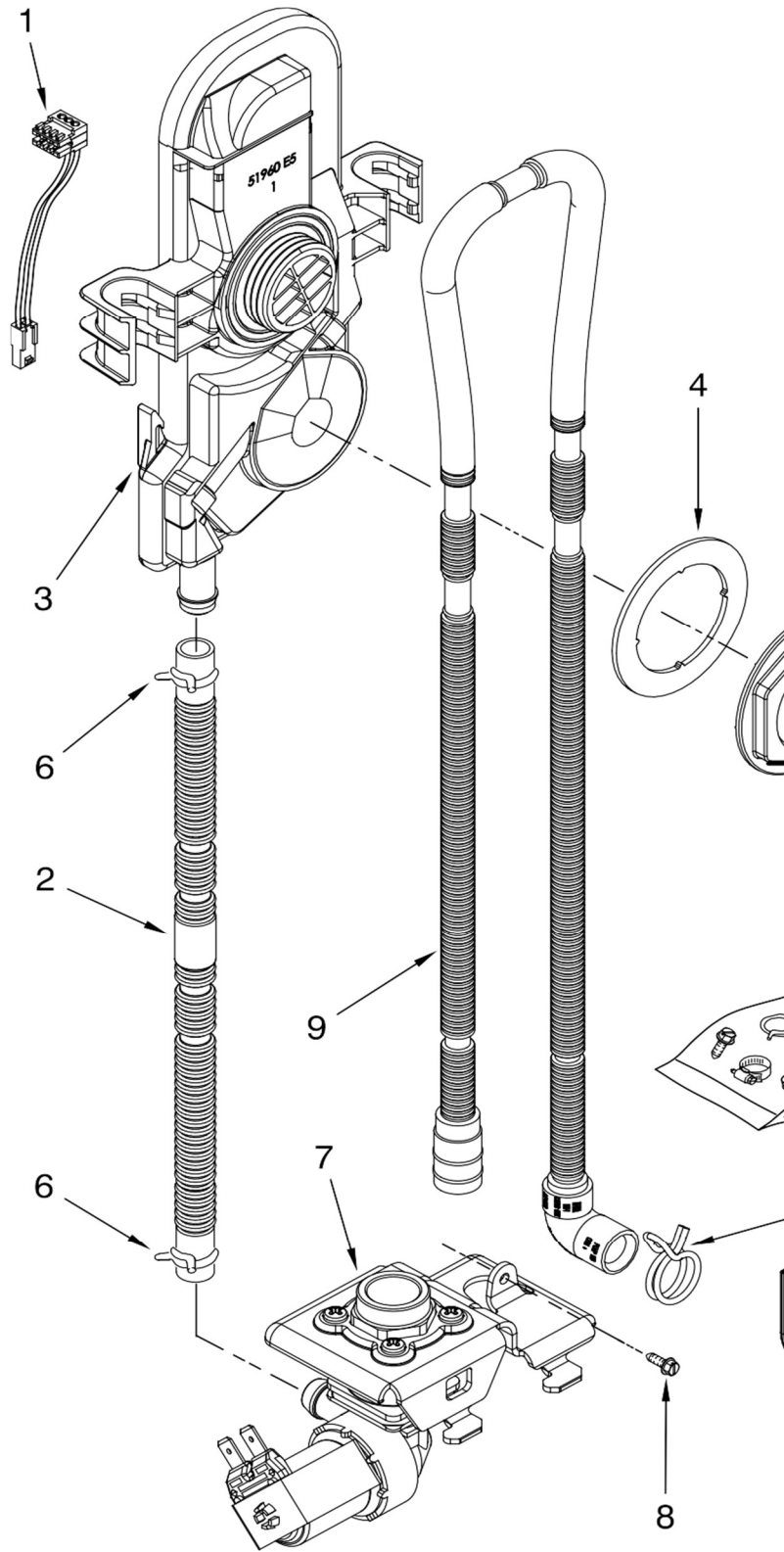
Illus. Part

No.	No.	DESCRIPTION
1	8537057	Heater Element Assembly (Also Includes Item 2)
2	717273	Washer, Heater Element
3	8268548	Nut, Heater Element
4	3400931	Speed Nut

BENITO JUÁREZ #1500 GPE ZITON, CD. GUADALUPE NUEVO LEÓN TEL: 8183377999 Y 49
 HORARIOS: LUNES A VIERNES 8:30 A 6:00 PM Y SÁBADOS DE 8:30 A 2:00 PM
 WEB: www.denek.com



LAVAVAJILLAS 7GU3600XTSY0



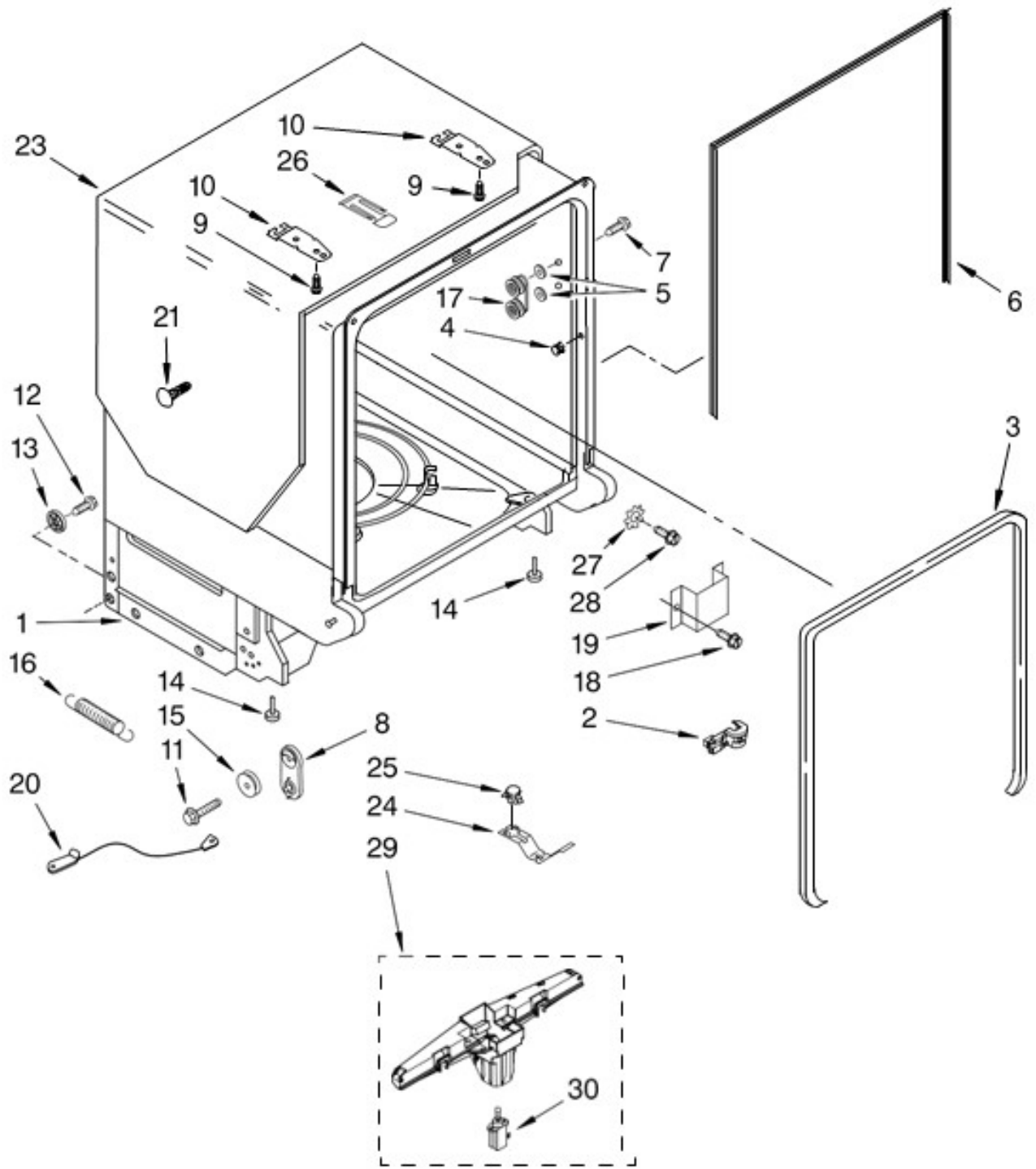
Illus. Part

No.	No.	DESCRIPTION
1	W10070120	Wire, Jumper
2	W10041920	Hose, Inlet
3	W10041900	Water Inlet (Also OrderItem 4)
4	8531323	Gasket
5	8531327	Nut, Inlet (Also OrderItem 4)
6	371505	Clamp, Hose
7	8563405	Fill Valve Assembly
8	304392	Screw
9	8531022	Drain Loop with Check Valve
10	8268909	Switch, Overfill Control
11	8545946	Standpipe, Overfill
12	8531743	Gasket, Flat
13	9741998	Nut, Standpipe
14	8268895	Float & Retainer Assembly
15	8268892	Lever, Overflow Switch
16	8269297	Miscellaneous Parts Bag (Includes 2 Screws & 2 Hose Clamps)
17	356138	Clamp, Hose

BENITO JUÁREZ #1500 GPE ZITON, CD. GUADALUPE NUEVO LEÓN TEL: 8183377999 Y 49
 HORARIOS: LUNES A VIERNES 8:30 A 6:00 PM Y SÁBADOS DE 8:30 A 2:00 PM
 WEB: www.denek.com



LAVAVAJILLAS 7GU3600XTSY0



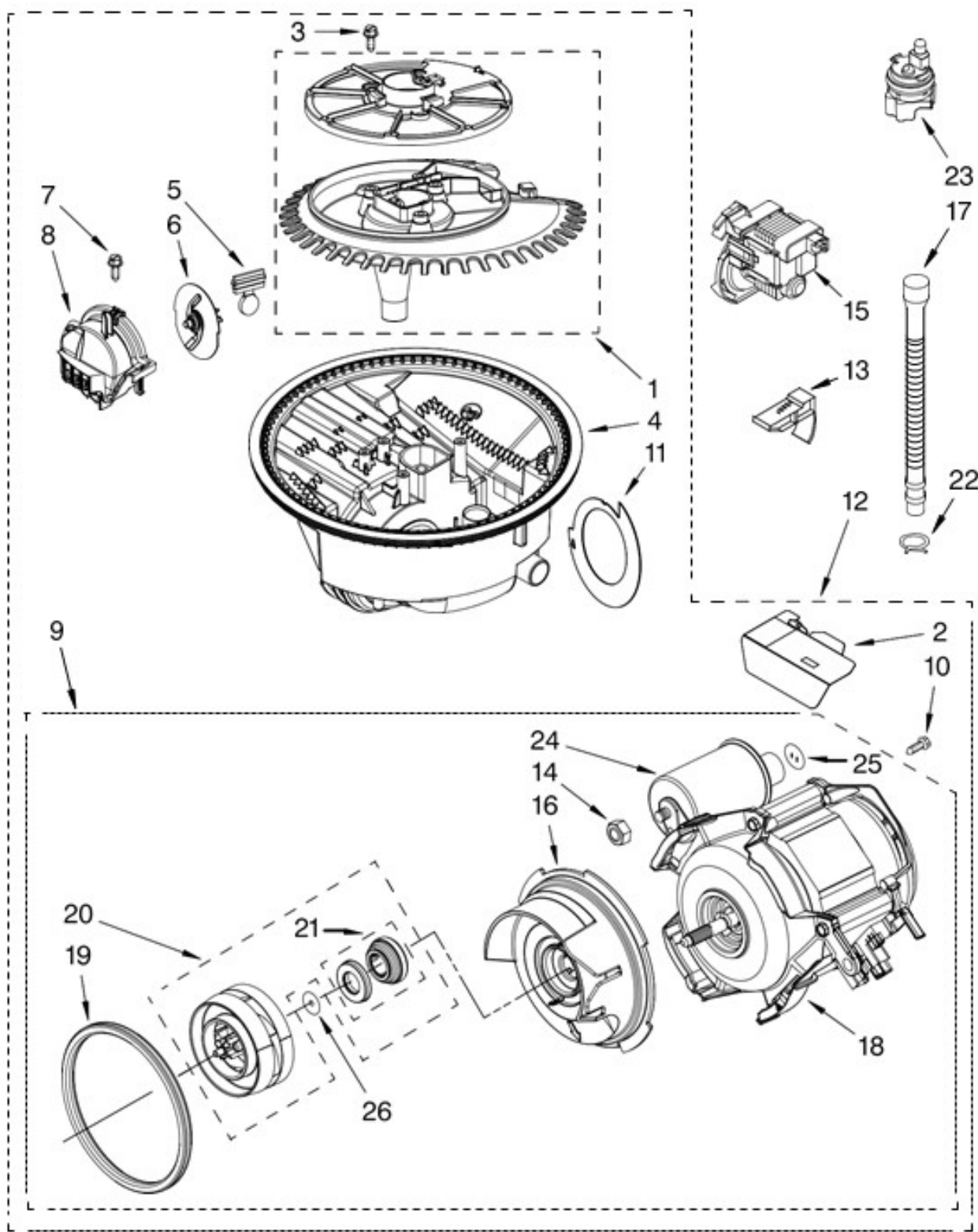
BENITO JUÁREZ #1500 GPE ZITON, CD. GUADALUPE NUEVO LEÓN TEL: 8183377999 Y 49
HORARIOS: LUNES A VIERNES 8:30 A 6:00 PM Y SÁBADOS DE 8:30 A 2:00 PM
WEB: www.denek.com

Illus. Part

No.	No.	DESCRIPTION
1	W10053090	Tub Assembly
2	8573061	Strain Relief
3	W10112096	Door Seal
4	8270119	Plug Tub (2)
5	9743002	Gasket, Bracket Mounting
6	8269110	Seal, Cabinet
	3400072	Screw (8)
8	8270021	Mount, Door Balance
9	3367670	Screw
10	8269145	Bracket, Undercounter
11	3400074	Screw (2)
12	3370389	Screw (2)
13	8268977	Wheel Leg
14	8524584	Leveler, Leg
15	8524474	Wheel, door Balance
16	8270020	Spring, Door Balance
17	8270019	Wheel & Mount Assembly (Also Order Item 5)
18	3400892	Screw
19	8268991	Cover, Terminal Box
20	8535568	Link, Door Balance
21	304666	Retainer, Push (2)
23	8573239	Shield, Sound Tub
24	9742648	Bracket, Thermostat
25	661566	Thermostat
26	8580309	Strike, Latch
27	3378128	Washer, Pronged
	3400014	Screw
29	8572661	Actuator, Turbo Wash
30	8559844	Motor, Wax



LAVAVAJILLAS 7GU3600XTSY0



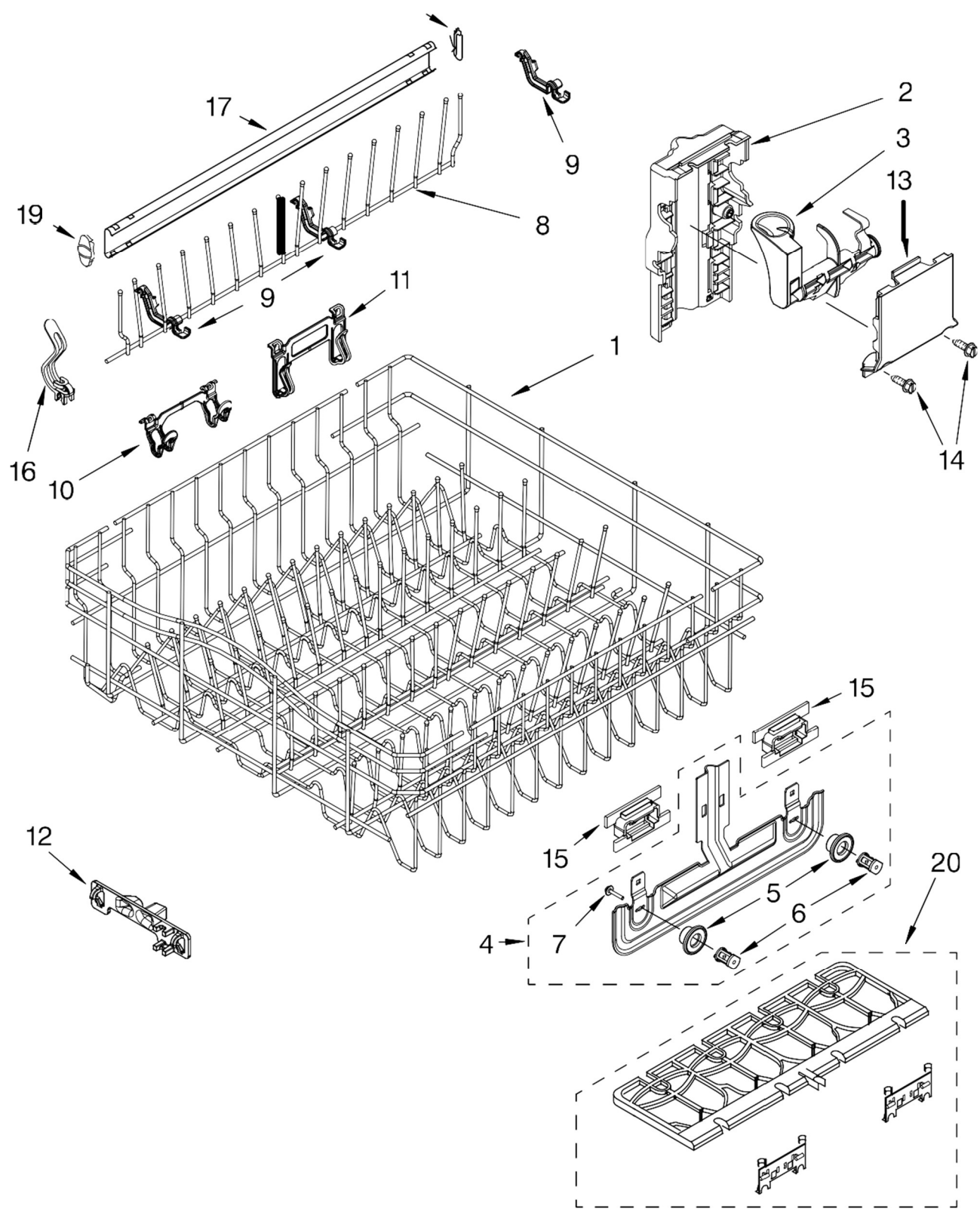
BENITO JUÁREZ #1500 GPE ZITON, CD. GUADALUPE NUEVO LEÓN TEL: 8183377999 Y 49
HORARIOS: LUNES A VIERNES 8:30 A 6:00 PM Y SÁBADOS DE 8:30 A 2:00 PM
WEB: www.denek.com

Illus. Part

No.	No.	DESCRIPTION
1	8534952	Accumulator Assy
2	8283527	Shield, Motor3
	3400069	Screw
4	8572618	Sump with seal
5	8268375	Check Valve, Sump
6	8268383	Chopper Assembly7
	9741232	Screw
8	8531857	Protector, Inlet
9	8534942	Motor Assembly10
	3400217	Screw
11	8268391	Screen, Separation
12	8572615	Sump & Motor
		Assembly 13
	8269524	Tab, Sump
14	8533949	Nut
15	661662	Pump, Drain
16	8531019	Volute, Back
		(Also Order Items 21 & 26)
17	8269144	Hose, Drain18
	8534941	Motor
19	8268397	Seal, Volute
20	8531017	Impeller Kit
		(Also OrderItem 26)
21	8268403	Face Seal Assembly
		(Also OrderItem 26)
22	356138	Clamp, Hose
23	W10082647	Optical Water
		Indicator
24	8269507	Capacitor
25	8534946	Shield, Capacitor26
	8531018	Washer



LAVAVAJILLAS 7GU3600XTSY0



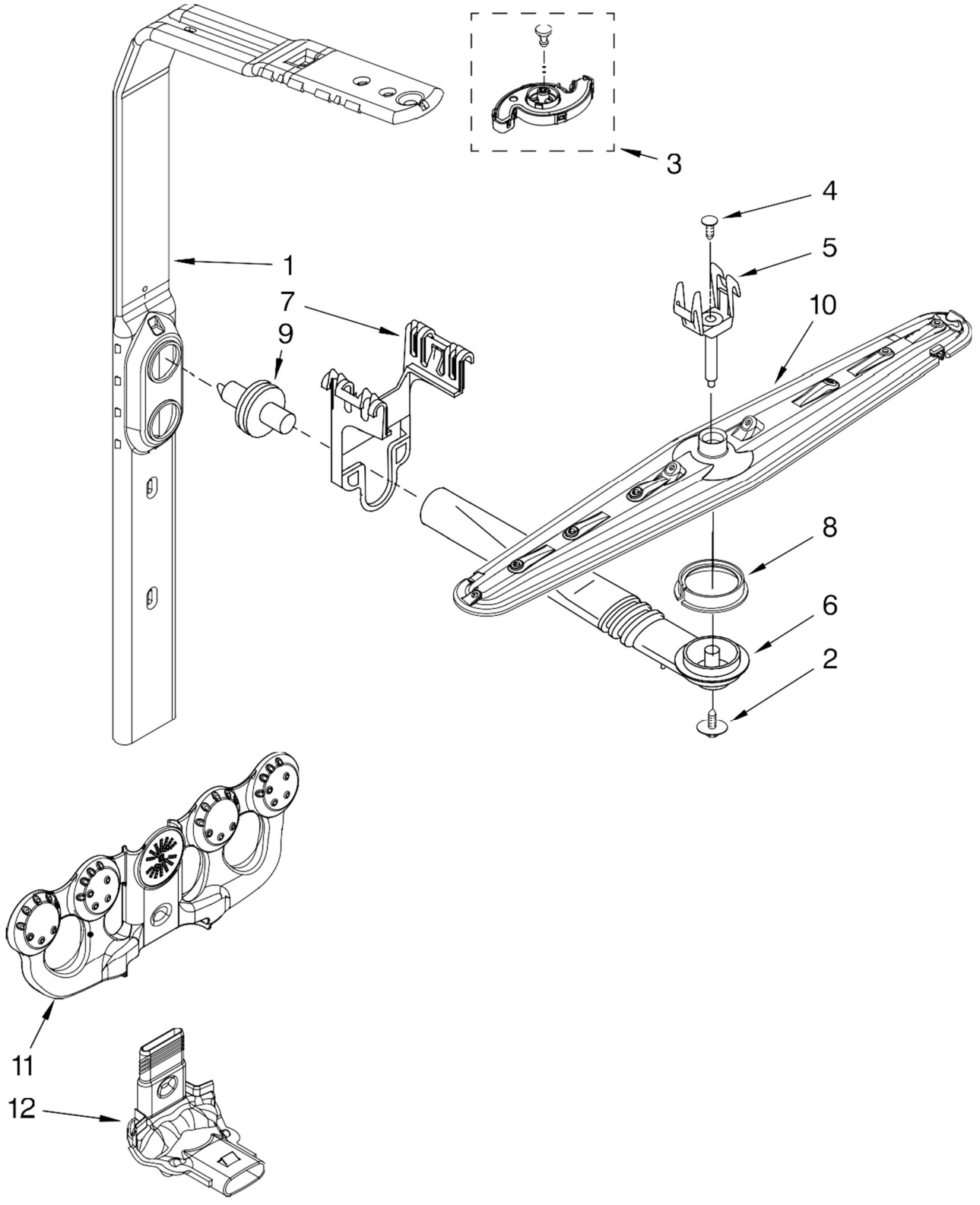
BENITO JUÁREZ #1500 GPE ZITON, CD. GUADALUPE NUEVO LEÓN TEL: 8183377999 Y 49
HORARIOS: LUNES A VIERNES 8:30 A 6:00 PM Y SÁBADOS DE 8:30 A 2:00 PM
WEB: www.denek.com

Illus. Part

No.	No.	DESCRIPTION
1	8539235	Dishrack, Upper
2	8531344	Housing, Adjuster
3		Actuator, Adjuster
	8539122	Right
	8539121	Left
4	8268654	Adjuster, Assembly5
	3385088	Wheel
6	8268703	Axel, Adjuster7
	8281156	Screw
8	9744566	Tine Row
9	8539190	Clip, Pivot
10	8562049	Clip, Side Utensil
11	8562056	Clip, Side (Light Items)
12	8539119	Positioner, Dual
13	8531346	Cover, Adjuster14
	9741232	Screw
15	8268738	Positioner, Arm
16	8539113	Clip, No-Flip
17	3385089	Track, Rack
18	8565925	Stop, Track
19	8562015	Stop, Track (Removeable)
20	W10082810	Cupshelf, Assembly



LAVAVAJILLAS 7GU3600XTSY0

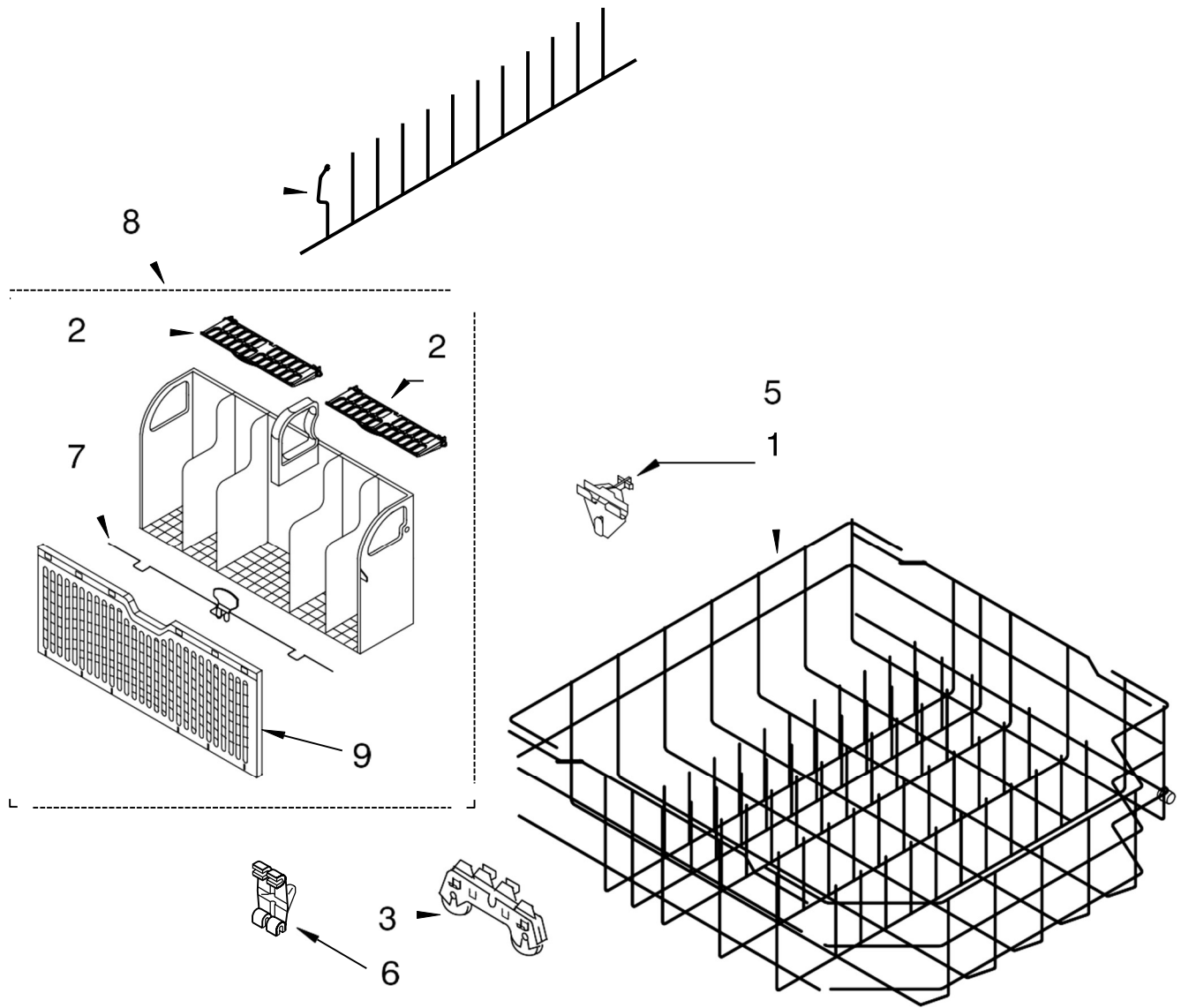


BENITO JUÁREZ #1500 GPE ZITON, CD. GUADALUPE NUEVO LEÓN TEL: 8183377999 Y 49
HORARIOS: LUNES A VIERNES 8:30 A 6:00 PM Y SÁBADOS DE 8:30 A 2:00 PM
WEB: www.denek.com

Illus. No.	Part No.	DESCRIPTION
1	8559849	Feed Tube Assembly (Also Includes Item 3)
2	8533889	Screw
3	8557720	Spinner, 3rd Level Wash
4	3400920	Cover, Screw
5	8268354	Mount
6	8268356	Manifold
7	8268349	Hanger
8	8268433	Seal, Sprayarm
9	8268350	Nozzle-Feed
10	8561746	Sprayarm
11	8575618	Manifold
12	8575244	Valve Assembly, Manifold



LAVAVAJILLAS 7GU3600XTSY0



Illus. No.	Part No.	DESCRIPTION	Illus. No.	Part No.	DESCRIPTION	Illus. No.	Part No.	DESCRIPTION
1	8561749	Dishrack, Lower	4	8562068	Tine Row	8	8562061	Silverware, Basket Assembly
2	8535078	Lid, Small Items	5	8562058	Clip, Silverware Basket	9	8562060	Door, Silverware Basket
3	8268713	Wheel & Transport Assembly	6	8539112	Retainer, Tine Row			
			7	8539118	Latch Assembly			

BENITO JUÁREZ #1500 GPE ZITON, CD. GUADALUPE NUEVO LEÓN TEL: 8183377999 Y 49
 HORARIOS: LUNES A VIERNES 8:30 A 6:00 PM Y SÁBADOS DE 8:30 A 2:00 PM
 WEB: www.denek.com

OPTIONAL PARTS (NOT INCLUDED)

<u>Illus. No.</u>	<u>Part No.</u>	<u>DESCRIPTION</u>	<u>Illus. No.</u>	<u>Part No.</u>	<u>DESCRIPTION</u>	<u>Illus. No.</u>	<u>Part No.</u>	<u>DESCRIPTION</u>
<u>ACCESSORIES</u>			<u>PAINT, TOUCH-UP (1/2oz.)</u>			<u>POWER CORD KIT</u>		
		Side Panel Kits						
		8171656 White			72017 White			4317824 Power Cord Kit
		8171657 Black			72032 Black			(Includes Power
		8171658 Biscuit			4392899 Biscuit			Cord & Misc.
		8171659 Stainless Steel			4396603 Meteorite			Hardware)
		Custom Panel & Trim Kit			<u>PAINT, PRESSURIZED SPRAY</u>			<u>ANTI-TIP KIT</u>
		8171555 Black			<u>(12 oz.)</u>			
		8171556 White			350930 White			8171477 Floor Mount Kit
		8171557 Biscuit			285006 Superior Black			<u>DISHRACK REPAIR</u>
		8171558 Grey			4392901 Biscuit			
		Moisture Barrier Kit			<u>PAINT, BULK (1 qt.)</u>			Tip Tine Repair Kit
		4396277 Kit						(Enough for Two
		Drain Hose			799344 White (Uncut)			Complete Dishracks)
		3385556 12 Ft.			4392900 Biscuit			
								4396838 White
								4396840 Grey
								Vinyl Touch-Up (4 oz.)
								676453 White
								676455 Grey