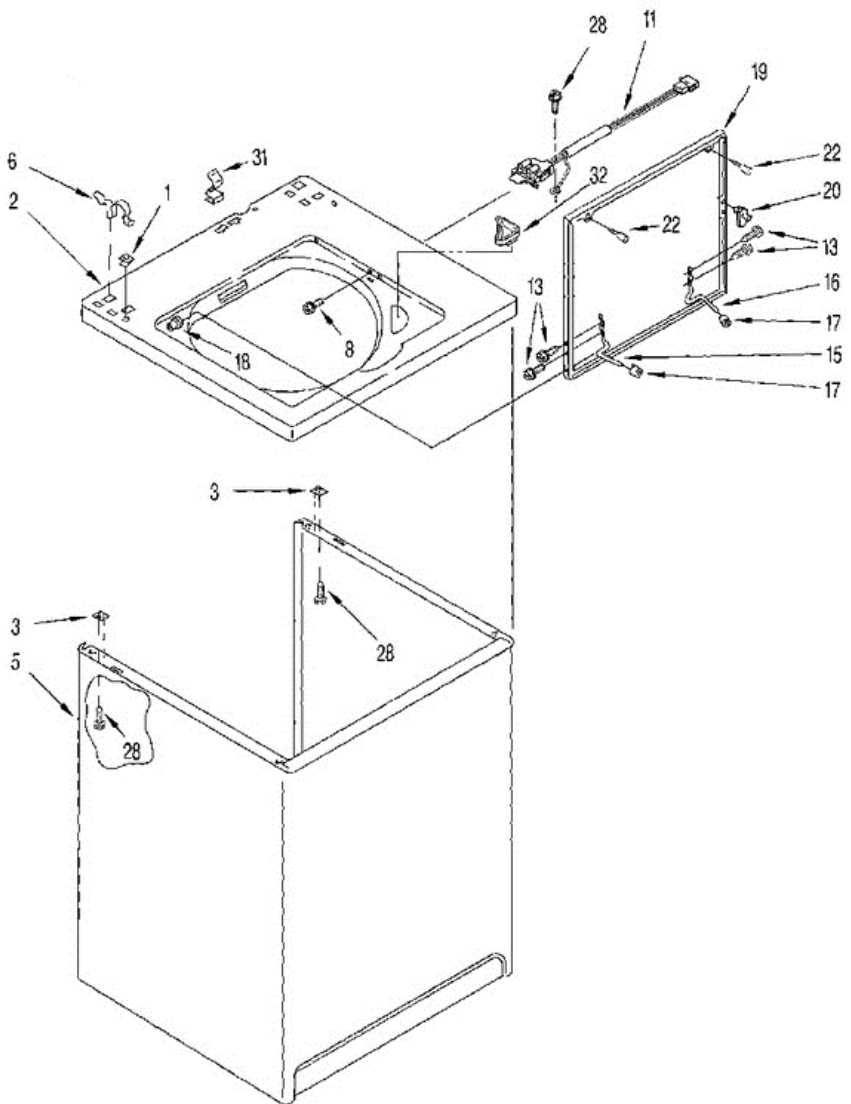


**7LSC8244EZ0 GABINETE**





**7LSC8244EZO GABINETE**

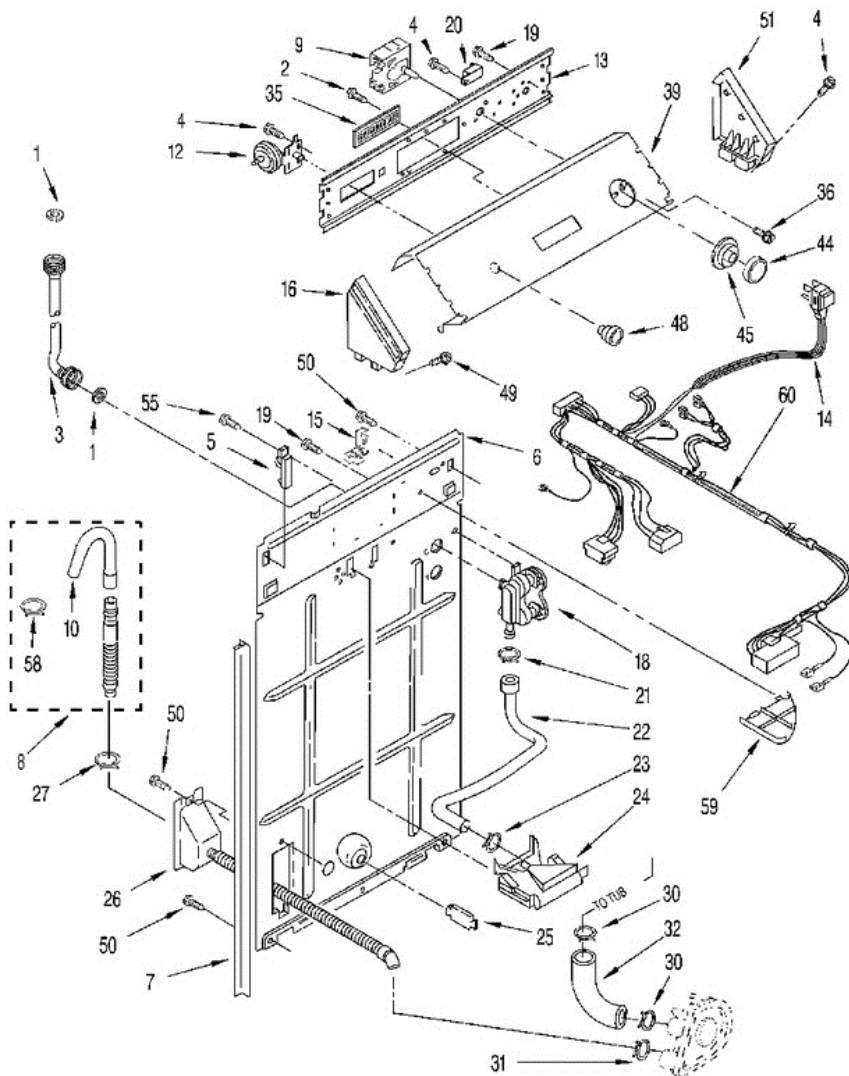
1	357213	NUT, PUSH-IN (2)
2	3949477	TOP (FOR DESIGNER ALMOND MODEL)
3	62750	SPACER, CABINET TO TOP (4)
5	63425	CABINET (FOR DESIGNER ALMOND MODEL)
6	62780	CLIP, TOP & CABINET & REAR PANEL (2)
8	3356311	SCREW & WASHER, LID SWITCH (2)
11	3352629	SWITCH, LID
13	3351355	SCREW, LID HINGE MOUNTING (4)
15	54584	HINGE, LID (L.H.)
16	54583	HINGE, LID (R.H.)
17	19119	BUMPER, LID HINGE
18	21258	BEARING, LID HINGE (2)
19	3361393	LID (FOR DESIGNER ALMOND MODEL)
20	358684	STRIKE, LID SWITCH
22	93770	BUMPER, LID (2)
28	384435	SCREW, 10-16 X 1/2 (5)
31	90016	CLIP, HARNESS
32	3362952	DISPENSER, BLEACH

Distribuidor Autorizado

SurteRápido.com

Venta de Refacciones  
Electrodomesticas

## 7LSC8244EZ0 TABLERO



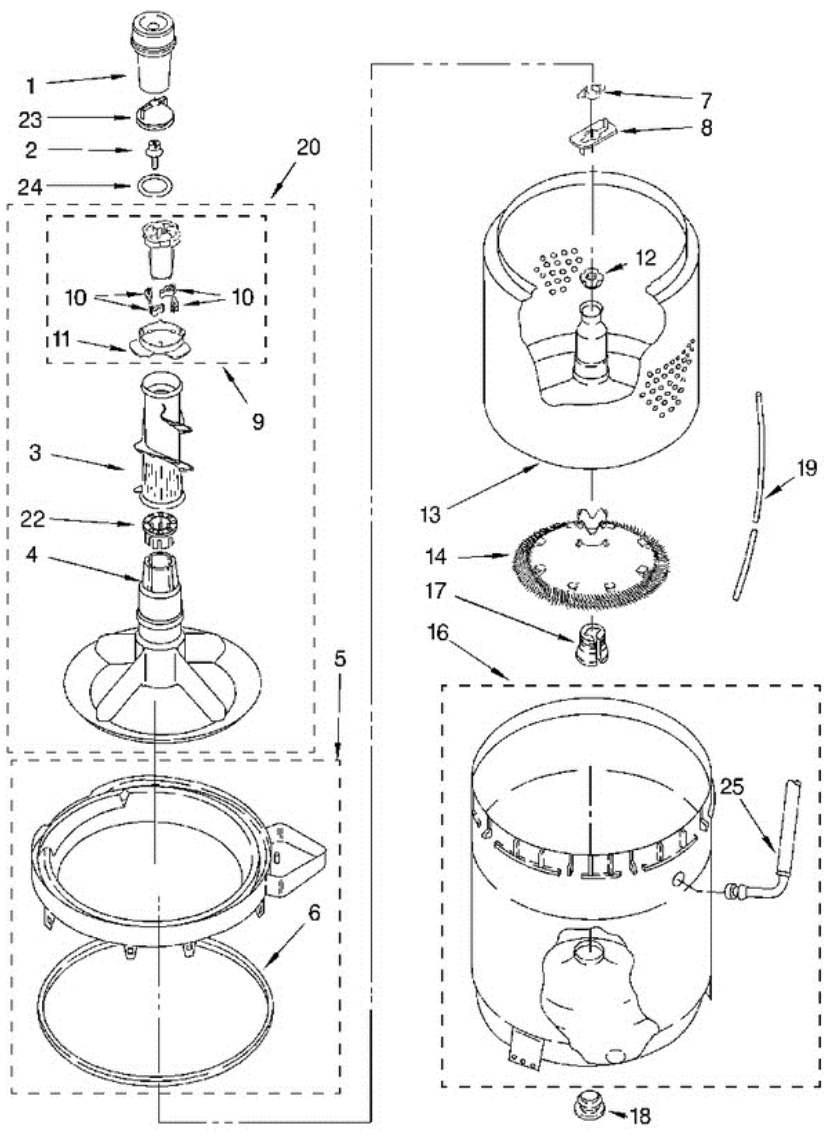


## 7LSC8244EZ0 TABLERO

1	16123	WASHER, WATER INLET HOSE (4) (1-1/16 X 5/8)
2	90767	SCREW, 8A X 3/8
3	3949368	HOSE, WATER INLET (2) (HOSE (RED))
3	3949369	HOSE, WATER INLET (2) (HOSE (BLUE))
4	90767	SCREW, 8A X 3/8
5	387402	HINGE, CONSOLE (2)
6	3357978	PANEL, REAR
7	62747	PAD, REAR PANEL
8	3357090	EXTENSION, DRAIN HOSE (21 INCHES)
8	3949556	HOSE, DRAIN (9' - 9'') (NOT INCLUDED)
8	661575	HOSE, DRAIN (4' - 8'')
9	3948171	TIMER, CONTROL (60 HZ.)
10	3357027	NOZZLE-DRAIN HOSE
12	3356466	SWITCH, WATER LEVEL
13	3361414	BRACKET, CONTROL
14	3948063	CORD, POWER
15	3949468	STRAIN RELIEF, POWER CORD
16	3358529	CAP, END (L.H.) (FOR DESIGNER ALMOND MODEL)
18	3360392	VALVE, WATER MIXING
19	90864	SCREW, 10-24 X 3/8 (2)
20	694419	BUZZER, MINI
21	272846	(ALT.)
21	353367	(ALT.)
21	370451	CLAMP, HOSE
22	3357328	HOSE, VACUUM BREAK
23	371503	CLAMP, HOSE
24	387606	BREAK, VACUUM
25	63290	SUPPORT, REAR PANEL
26	3361805	HOSE-CORRUGATED ASSY.
27	356138	CLAMP, HOSE
30	371502	CLAMP, HOSE
31	272858	(ALT.)
31	353097	(ALT.)

31	370447	(ALT.)
31	660628	CLAMP, HOSE
32	62731	HOSE, PUMP TO TUB
35	3948148	SWITCH, TOUCH-PAD (8)
36	96435	SCREW, TIMER MOUNTING (10-32 X 1) (2)
39	3948297	PANEL, CONSOLE (FOR DESIGNER WHITE MODEL)
39	3948298	PANEL, CONSOLE (FOR DESIGNER ALMOND MODEL)
44	3364293	KNOB, TIMER (FOR DESIGNER ALMOND MODEL)
45	3946262	DIAL, TIMER (FOR ALMOND MODEL)
48	3358436	KNOB, CONTROL (FOR DESIGNER ALMOND MODEL)
49	388326	SCREW, 8-18 (2) (PANEL TO TOP)
50	62863	SCREW, 10-16 X 3/8
51	3358514	CAP , END (R.H.) (FOR DESIGNER ALMOND MODEL)
55	3357011	SCREW, 10-16 X ½
58	3357331	CLAMP, DRAIN HOSE
59	3348424	SHEILD, SUDS
60	3948178	HARNES, WIRING

**7LSC8244EZ0 TINAS**

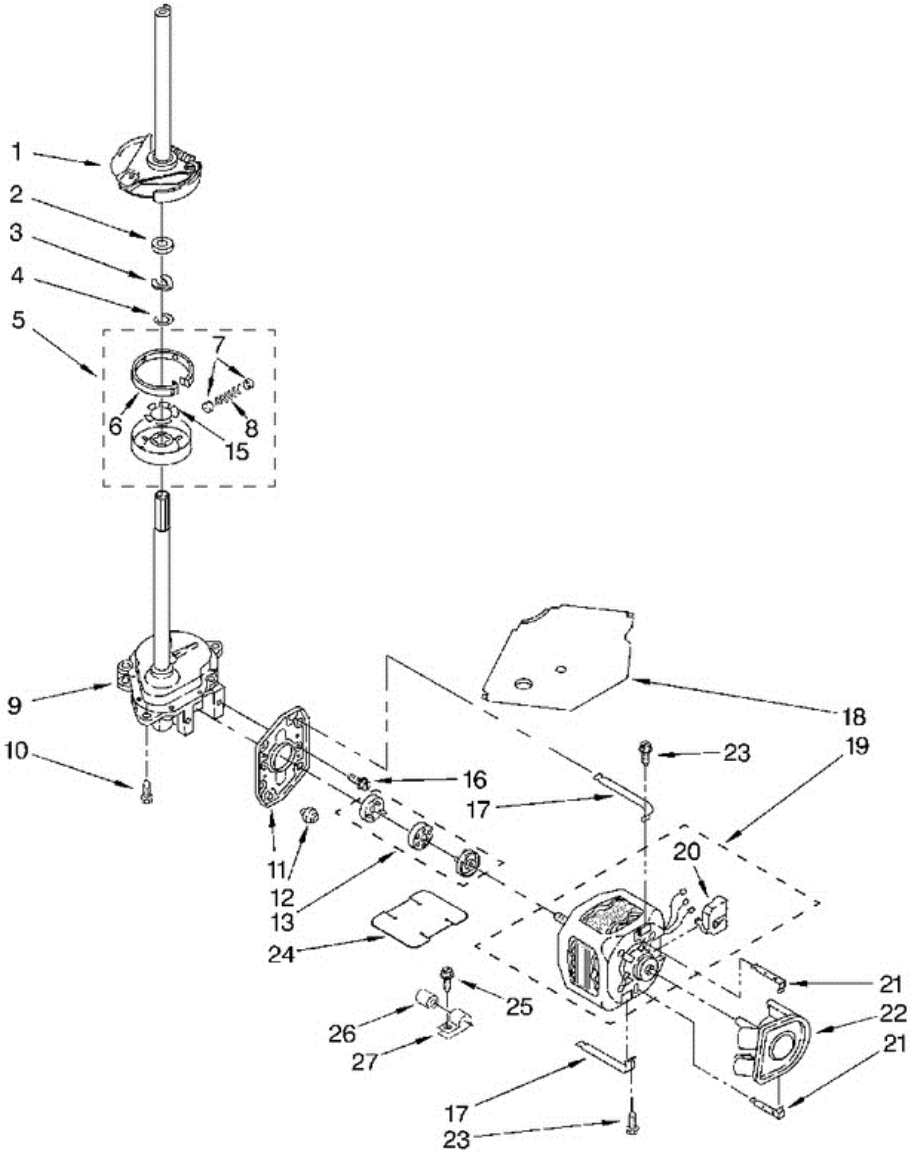




## 7LSC8244EZO TINAS

1	63580	DISPENSER
2	358237	SCREW & WASHER (5-16-24 X 1)
3	3363003	CLOTHES MOVER
4	3347288	AGITATOR
5	63851	TUB RING & GASKET
6	3359585	GASKET, TUB RING
7	3354845	CLIP, AGITATOR
8	3355921	WASHER, AGITATOR
9	3363663	CAM, DRIVEN
10	3366877	DOG, AGITATOR CLUTCH
11	3363661	BEARING, DRIVEN CAM
12	21366	NUT, SPANNER
13	3350649	BASKET & BALANCE RING
14	3361948	FILTER-PLATE
16	388893	TUB (INCLUDES ITEM 25)
17	389140	BLOCK, BASKET DRIVE
18	383727	GASKET, CENTERPOST
19	3347780	HOSE, PRESSURE SWITCH
20	3946501	AGITATOR, ASY (COMPLETE)
22	3350389	SPACER, THRUST
23	3347290	CAP, BARRIER
24	3348855	SEAL-INNER CAP
25	3948705	HOSE, BLEACH

**7LSC8244EZ0 MOTOR**



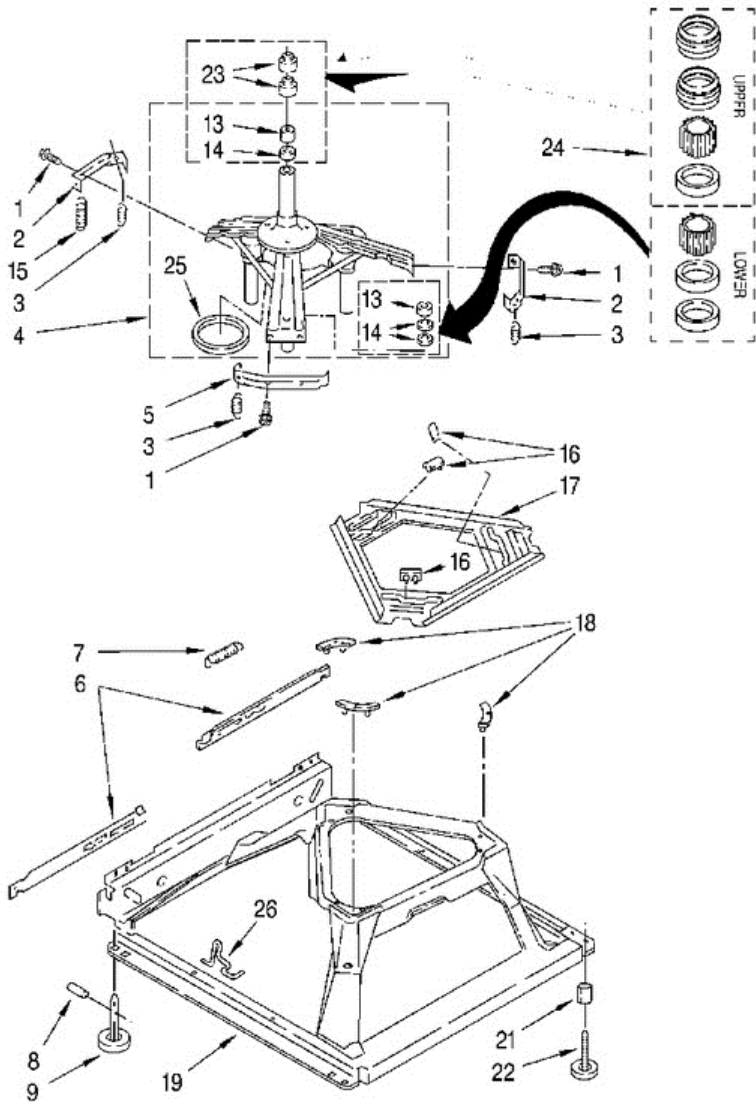




## 7LSC8244EZ0 MOTOR

1	388952	BRAKE & DRIVE TUBE (COMPLETE)
2	63292	WASHER, SPIN TUBE THRUST
3	62697	RING, SPIN TUBE SUPPORT
4	63283	RING, RETAINER
5	3946794	CLUTCH (COMPLETE)
6	3946793	BAND & LINING, CLUTCH (INCLUDES ILLUS. 7 & 8)
7	62646	CAP, CLUTCH SPRING (2)
8	3363337	SPRING, CLUTCH
9	3360630	GEARCASE (COMPLETE)
10	3357334	SCREW, GEARCASE TO BASE (3)
11	62611	PLATE, MOTOR MOUNT TO GEARCASE
12	62691	GROMMET, MOTOR (4)
13	3364003	COUPLING, MOTOR & ISOLATION
15	3355454	CLIP, ANTI-RATTLE
16	3357334	SCREW
17	3349637	RETAINER, MOTOR (2)
18	3362089	SHIELD, TUB TO MOTOR
19	3946897	MOTOR, MAIN DRIVE
20	62850	SWITCH, MAIN DRIVE MOTOR
21	62700	RETAINER, PUMP (2)
22	3363394	PUMP (COMPLETE)
23	3387485	SCREW, 10-16 X 5/8
24	3946532	SHIELD, MOTOR
25	62863	SCREW, 10-16 X 3/8
26	357021	CAPACITOR
27	357030	CLAMP, CAPACITOR

**7LSC8244EZ0 BASE**

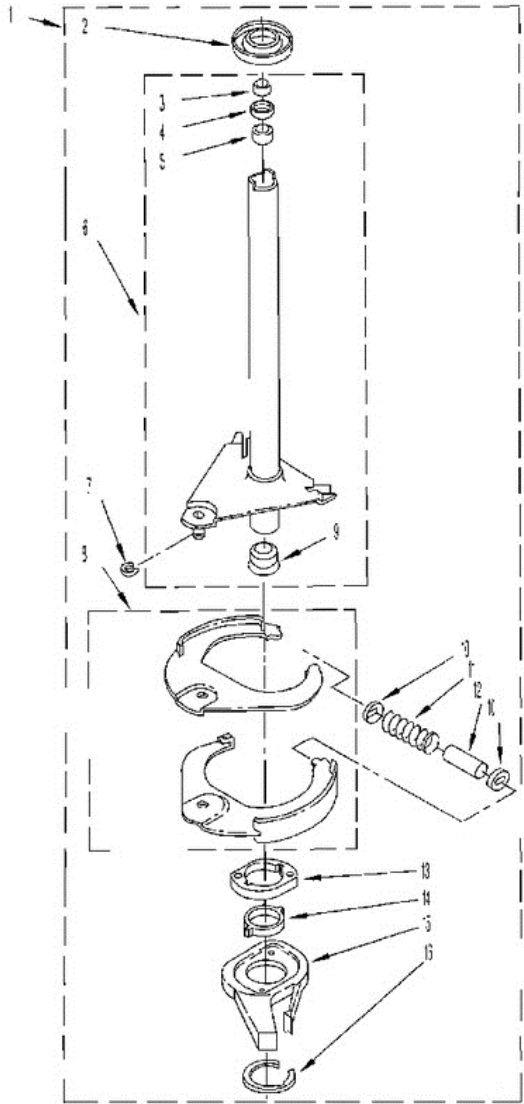




## 7LSC8244EZO BASE

1	343641	SCREW, BRACKET MOUNTING (10-16 X 5/8)
2	64067	BRACKET, SPRING OUTER (2)
3	63907	SPRING, SUSPENSION (3)
4	3362087	SUPPORT & BRAKE, TUB
5	64065	BRACKET, SPRING OUTER (L.F.)
6	3348727	LINK, LEVELING MECHANISM (2)
7	62597	SPRING, LEVELING MECHANISM
8	62837	PIN, KNURLED
9	62596	FOOT, REAR (2)
13	3347047	BEARING, CENTERPOST (2)
14	357409	SEAL, CENTERPOST (3)
15	388492	SPRING, COUNTERWEIGHT
16	62568	PAD, PLATE
17	3946509	PLATE, SUSPENSION (INCLUDES ILLUS. 16)
18	3363660	PAD, BASE
19	3946512	BASE ASSEMBLY (INCLUDES.6, 7, 8, 9, 16, 17,18, 26.)
21	3359452	NUT, LOCK (3/8-16)
22	389102	FOOT, FRONT (2)
23	356934	SEAL, CENTERPOST (2)
24	285203	CENTERPOST BEARING KIT (INCLUDES .13, 14 & 23)
25	63134	RING, SOUND DEADENING
26	63806	RETAINER, SUSPENSION SPRING

**7LSC8244EZ0 FLECHA HUECA**

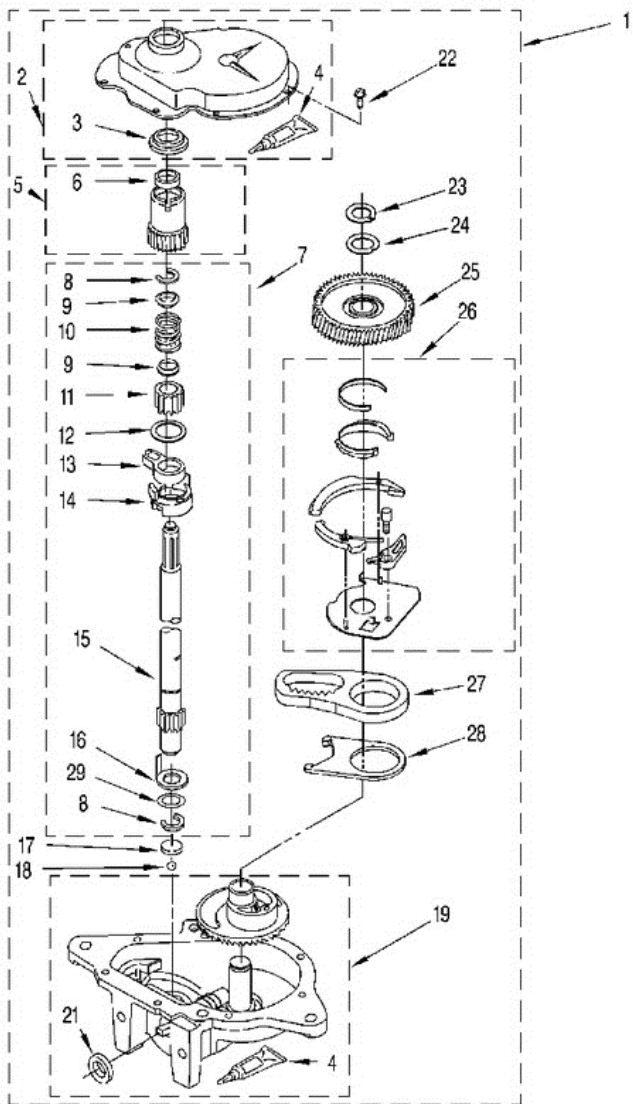




**7LSC8244EZ0 FLECHA HUECA**

1	388952	BRAKE AND DRIVE TUBE (COMPLETE)
2	62658	RING, THRUST
3	91939	SEAL. OIL
4	356427	SEAL, DRIVE TUBE
5	356937	SPACER, DRIVE TUBE
6	64027	TUBE, BASKET DRIVE (INCLUDES ILLUS. 3, 4, 5 & 9)
7	64035	RING, RETAINING
8	64232	SHOE, BRAKE
9	62703	``T`` BEARING, SPIN TUBE
10	62648	CAP, BRAKE SPRING (2)
11	387806	SPRING, BRAKE
12	62909	SLEEVE, BRAKE SPRING
13	63023	CAM, BRAKE RELEASE
14	63022	SLEEVE, CAM
15	64194	DRIVER, BRAKE CAM
16	285208	LUBRICANT
16	90368	RING, RETAINING

**7LSC8244EZ0 TRANSMISION**



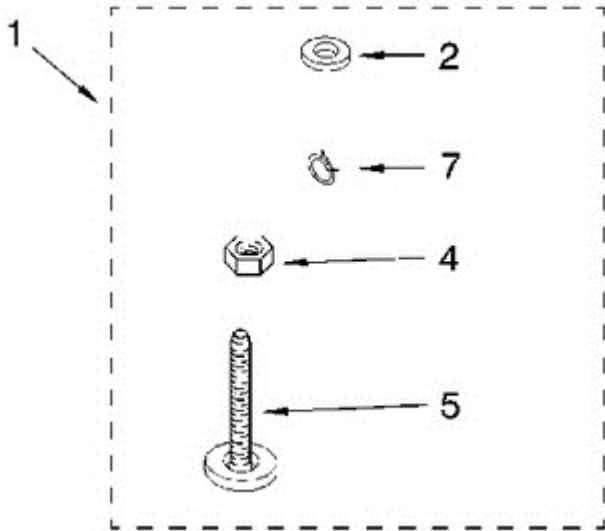


## 7LSC8244EZ0 TRANSMISION

1	3360630	GEARCASE (COMPLETE)
2	285202	COVER, GEARCASE
3	3349985	SEAL, GEARCASE COVER
4	285195	SEALER, GASKET (.20 FL. OZ.) (6 ML)
5	63320	PINION, SPIN (INCLUDES ITEM 25)
6	356427	SEAL, SPIN PINION
7	389387	SHAFT, AGITSTOR (COMPLETE)
8	90369	RING, RETAINING (2)
9	62677	RETAINER, SPRING
10	62676	SPRING, AGITATOR
11	63273	GEAR, AGITATE (INCLUDES 15 AND 29)
12	62619	WASHER, AGITATOR GEAR
13	62580	CAM FOLLOWER (INCLUDES 14)
14	62581	CAM, AGITATE (INCLUDES 13)
15	285509	SHAFT, AGITATOR (INCLUDES 11 & 29)
16	62618	WASHER, CAM THRUST
17	16018	BEARING, THRUST
18	85529	BALL, BEARING
19	389230	BOTTOM AND PINION, GEARCASE
21	285352	SEAL, THRUST PLUG
22	3351614	SCREW, GEARCASE COVER MOUNTING (8)
23	3362552	RING, RETAINING
24	285735	WASHER KIT, THRUST
25	62570	GEAR, SPIN
26	388253	NEUTRAL ASSEMBLY
27	3349296	RACK, CONNECTING
28	62621	ACTUATOR, SHIFT
29	388815	WASHER, INTERMEDIATE



7LSC8244EZ0 PATA







## 7LSC8244EZO PATA

1	3359460	MISCELLANEOUS PARTS BAG
2	16123	WASHER, INLET HOSE (1-1/16 X 5/8) (4)
4	3359452	NUT, LOCK (3/8-16)
5	389102	FOOT, FRONT (2)
7	356138	CLAMP, HOSE