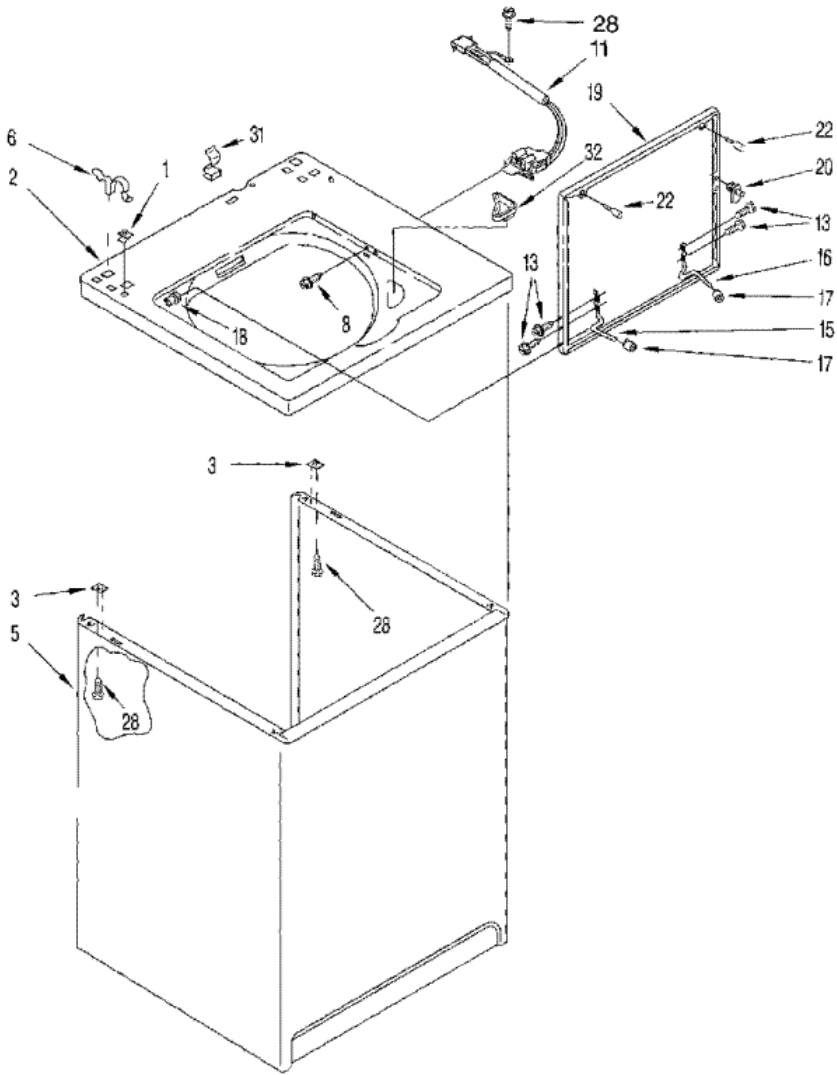


7LSR5233EZ0 GABINETE





7LSR5233EZO GABINETE

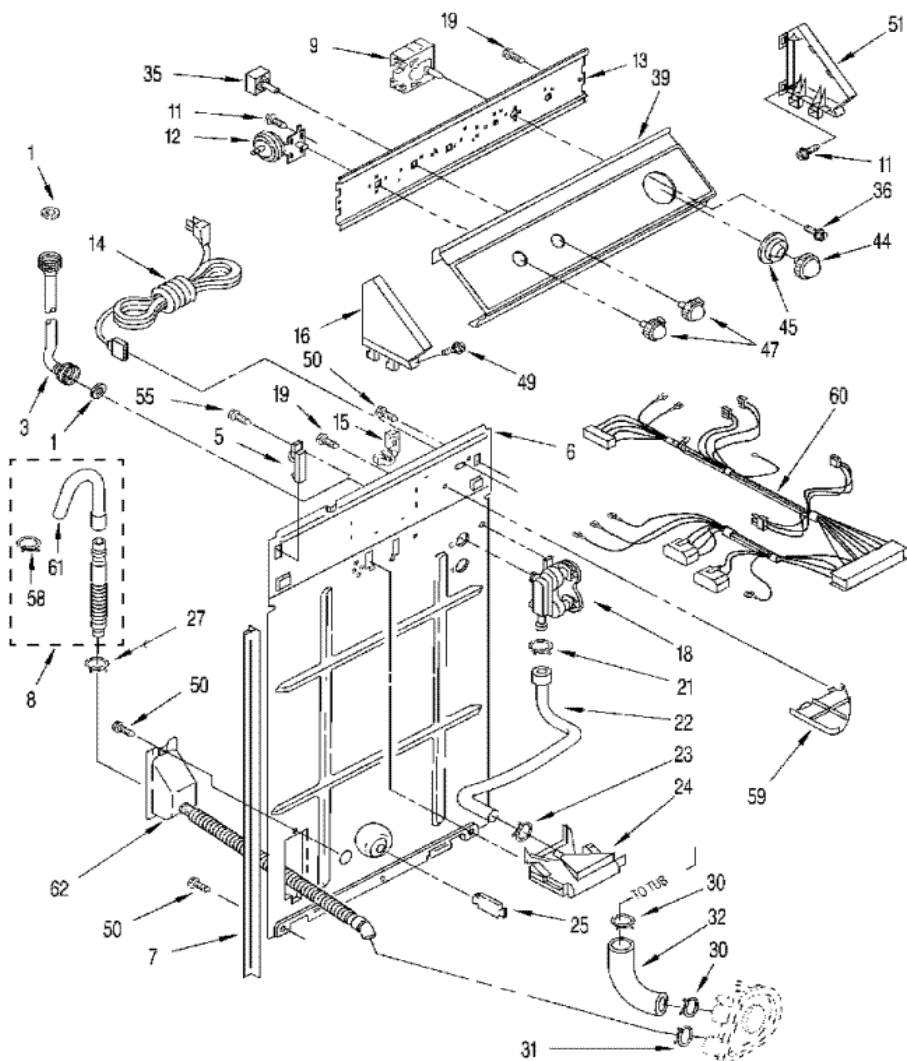
1	357213	NUT, PUSH-IN (2) (S/P)
2	3949477	TOP (FOR ALMOND MODEL) (S/P)
3	62750	SPACER, CABINET TO TOP (4) (S/P)
5	63425	CABINET (FOR ALMOND MODEL) (S/P)
6	62780	CLIP, TOP & CABINET & REAR PANEL (2)
8	3356311	SCREW & WASHER, LID SWITCH (2) (S/P)
11	285671	SWITCH, LID
13	355274	SCREW, LID HINGE MOUNTING (4) (S/P)
15	54584	HINGE, LID (L.H.) (S/P)
16	54583	HINGE, LID (R.H.) (S/P)
17	19119	BUMPER, LID HINGE (S/P)
18	21258	BEARING, LID HINGE (2) (S/P)
19	3957564	LID (FOR ALMOND MODEL) (S/P)
20	358684	STRIKE, LID SWITCH
22	93770	BUMPER, LID (2)
28	681414	SCREW, 10-16 X 1/2 (5) (S/P)
31	90016	CLIP, HARNESS (S/P)
32	3362952	DISPENSER, BLEACH

Distribuidor Autorizado

SurteRápido.com

Venta de Refacciones
Electrodomesticas

7LSR523EZ0 TABLERO



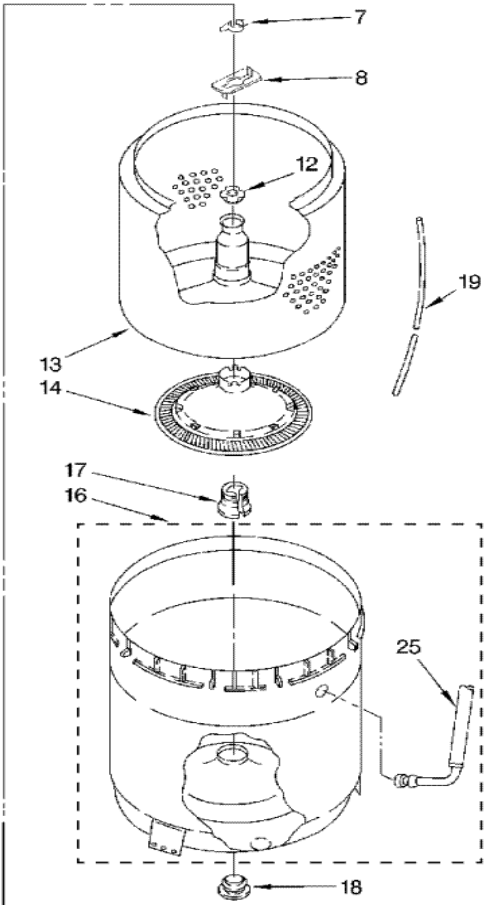
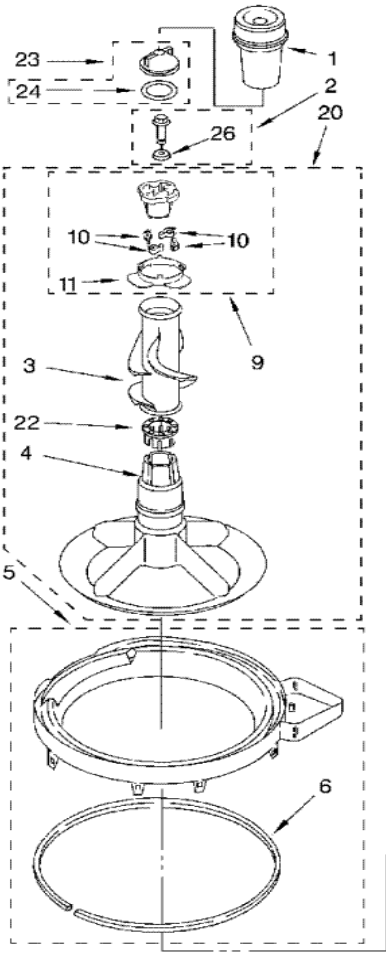


7LSR5233EZ0 TABLERO

1	16123	WASHER, WATER INLET HOSE (4) (1-1/16 X 5/8) (S/P)
3	89503	HOSE, WATER
5	387402	HINGE, CONSOLE (2)
6	3357978	PANEL, REAR (S/P)
7	62747	PAD, REAR PANEL (S/P)
8	285666	HOSE, DRAIN (9' - 9'') (NOT INCLUDED)
8	285702	EXTENSION DRAIN HOSE (21 INCHES) (S/P)
8	285664	HOSE, DRAIN (4' - 8'')
9	3948061	TIMER, CONTROL (60 HZ.) (MOTOR NOT A SERVICE
11	90767	SCREW 8A X 3/8 (S/P)
12	3356467	SWITCH, WATER LEVEL (S/P)
13	3948608	BRACKET, CONTROL (S/P)
14	D900	CORD, POWER
15	285777	STRAIN RELIEF, POWER CORD (S/P)
16	285848	CAP, END (L.H.) (ALMOND/CHROME) (S/P)
18	285805	VALVE, WATER MIXING
19	3351614	SCREW, 10-24 X 3/8 (2) (S/P)
21	596669	CLAMP (ALT.) (S/P)
22	3357328	HOSE, VACUUM BREAK
24	3360977	BREAK, VACUUM
25	8519200	SUPPORT, REAR PANEL
27	356138	CLAMP, HOSE (S/P)
30	371502	CLAMP, HOSE (S/P)
31	285655	CLAMP (ALT.) (S/P)
32	285871	HOSE, PUMP TO TUB (S/P)
35	3405157	SWTCH-TEMP
35	661612	DESCONTINUADO
36	96435	DESCONTINUADO
39	3948251	PANEL, CONSOLE (FOR ALMOND MODEL) (S/P)
44	3364293	KNOB, TIMER (FOR ALMOND MODEL)
45	3951054	DIAL, TIMER (FOR ALMOND MODEL)

47	3950760	KNOB, CONTROLS (FOR ALMOND MODEL) (S/P)
49	388326	SCREW, 8-18 (2) (PANEL TO TOP) (S/P)
50	62863	DESCONTINUADO
51	3358514	CAP , END (R.H.) (ALMOND/CHROME) (S/P)
55	308685	SCREW, 10-16 X ½ (S/P)
58	3357331	CLAMP, DRAIN HOSE
59	8539874	SHEILD, SUDS
60	3948421	HARNESS, WIRING (S/P)
61	3357027	NOZZLE-DRAIN HOSE (S/P)
62	8317940	HOSE-DRAIN CONNECTOR ASSY

7LSR5233EZ0 TINAS





7LSR5233EZO TINAS

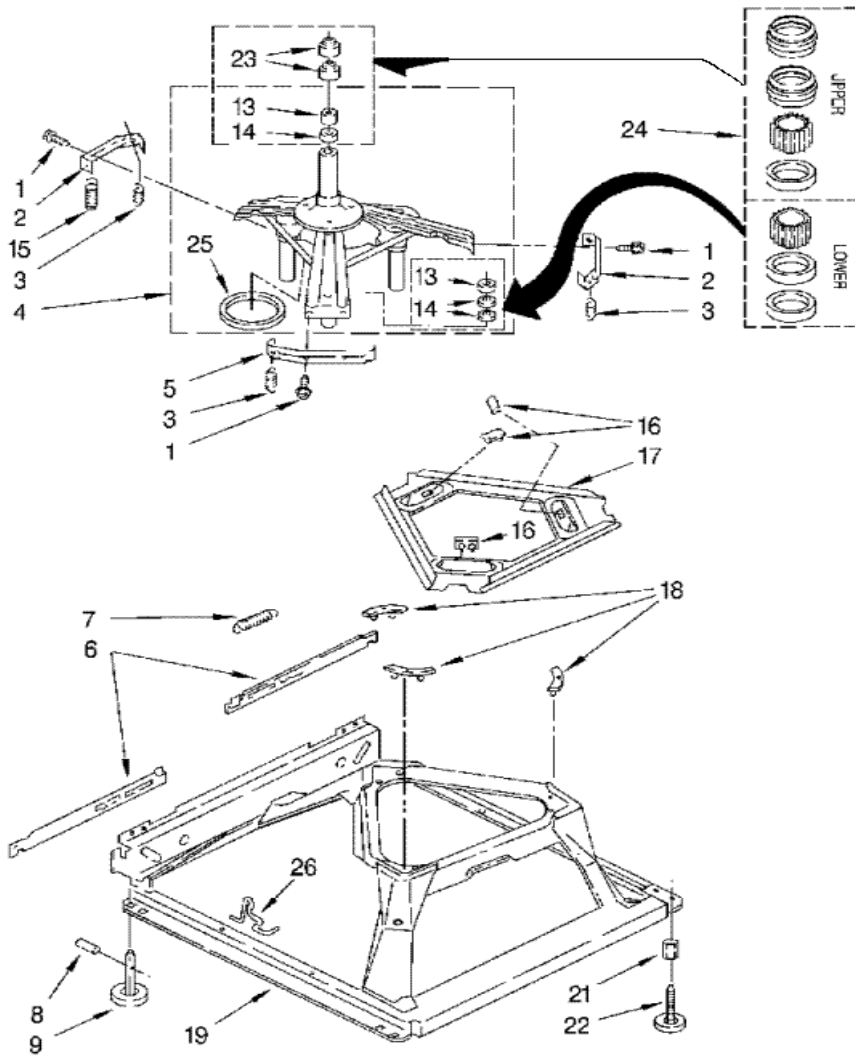
1	63580	DISPENSER, ASSY.
2	358237	SCREW & WASHER (5-16-24 X 1)
3	3363003	CLOTHES MOVER
4	3347288	AGITATOR
5	3976309	TUB RING & GASKET
6	3976308	GASKET, TUB RING
7	3354845	CLIP, AGITADOR (S/P)
8	3355921	WASHER, AGITADOR (S/P)
9	285811	CAM DRIVEN SHORT
10	285770	DOG, AGITATOR CLUTCH
11	3363661	BEARING DRIVEN CAM (S/P)
12	21366	NUT, SPANNER
13	3951983	BASKET & BALANCE RING (S/P)
14	285868	FILTER, PLATE
16	3361596	TUB (S/P)
17	389140	BLOCK, BASKET DRIVE
18	383727	GASKET, CENTER POST
19	353244	HOSE, PRESSURE SWITCH
20	3951744	AGITATOR (COMPLETE ASY.)
22	285587	SPACER, THRUST
23	285551	CAP, BARRIER
24	3348855	SEAL, INNER CAP
25	3948705	HOSE, BLEACH (S/P)
26	21365	DESCONTINUADO

Distribuidor Autorizado

SurteRápido.com

Venta de Refacciones
Electrodomesticas

7LSR5233EZ0 BASE

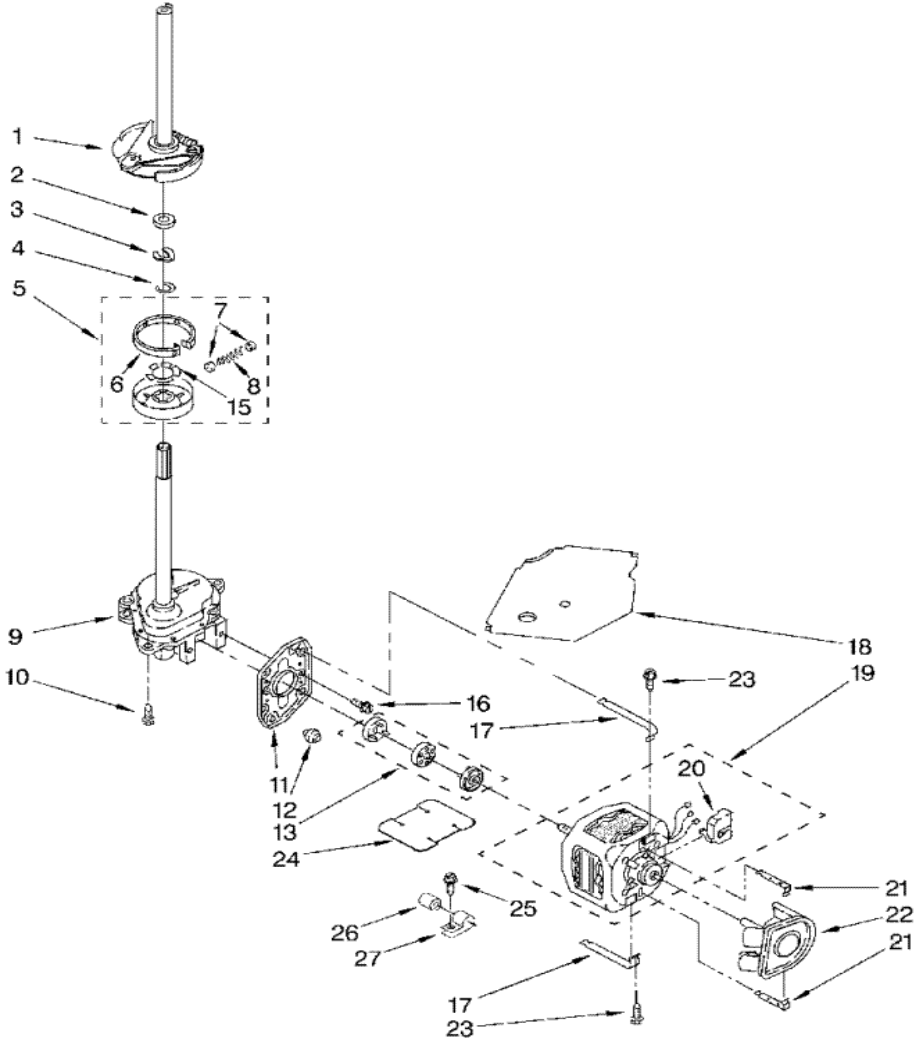




7LSR5233EZO BASE

1	343641	DESCONTINUADO
2	64067	BRACKET, SPRING OUTER (2)
3	63907	SPRING, SUSPENSION (3)
4	63740	SUPPORT & BRAKE, TUB
5	64065	BRACKET, SPRING OUTER (L.F.)
6	63466	LINK, LEVELING MECHANISM (2)
7	8316845	SPRING, LEVELING MECHANISM
8	62837	PIN, KNURLED (S/P)
9	62596	DESCONTINUADO
13	8546455	BEARING, CENTERPOST (2) (S/P)
14	359449	SEAL, CENTERPOST (3)
15	388492	SPRING, COUNTERWEIGHT
16	62568	DESCONTINUADO
17	3946509	PLATE, SUSPENSION (INCLUDES ILLUS. 16)
18	285744	PAD, BASE
19	285771	BASE ASSEMBLY (INCLUDES ILLUS, 6, 7, 8, 9, 18 & 26)
21	3359452	NUT, LOCK (3/8-16) (2) (S/P)
22	389102	FOOT, FRONT (2)
23	356934	SEAL, CENTERPOST (2)
24	285203	CENTERPOST BEARING KIT
25	63134	RING, SOUND DEADENING
26	63806	RETAINER, SUSPENSION SPRING

7LSR5233EZ0 MOTOR

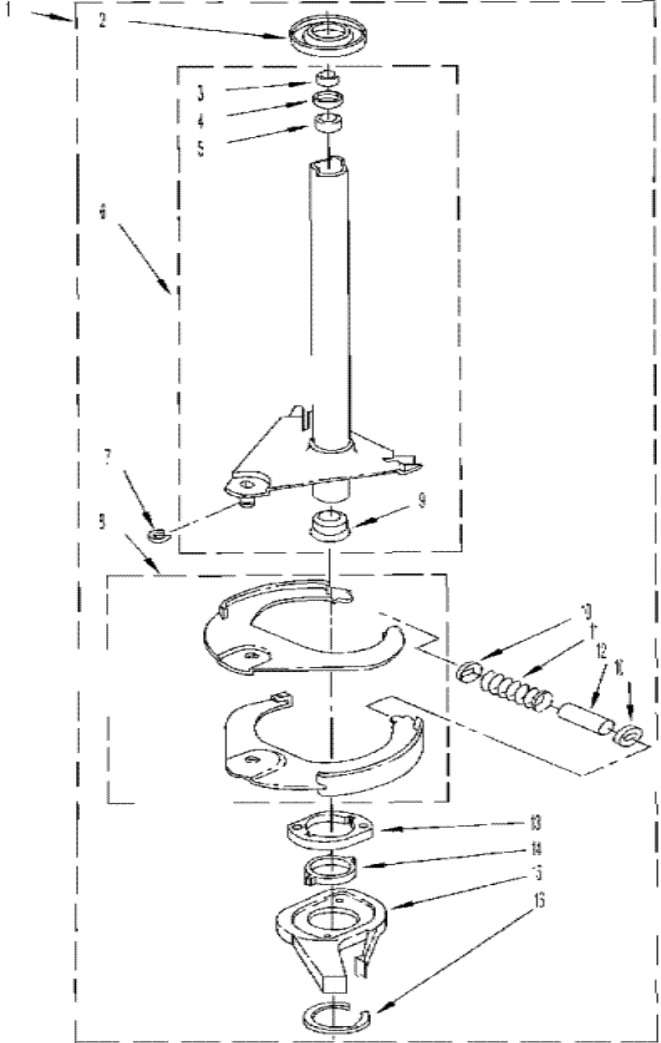




7LSR5233EZ0 MOTOR

1	285792	BRAKE & DRIVE TUBE (COMPLETE)
2	63292	WASHER, SPIN TUBE THRUST
3	62697	RING, SPIN TUBE SUPPORT
4	285353	RING, RETAINER
5	285785	CLUTCH (COMPLETE)
6	285790	BAND & LINING, CLUTCH (INCLUDES ILLUS. 7 & 8)
7	62646	DESCONTINUADO
8	3946792	SPRING, CLUTCH
9	3360629	GEARCASE (COMPLETE)
10	3400516	SCREW, GEARCASE TO BASE (3)
11	62611	PLATE, MOTOR MOUNT TO GEARCASE
12	62691	GROMMET, MOTOR (4)
13	285753	COUPLING, MOTOR & ISOLATION
15	3355454	CLIP, ANTI-RATTLE (S/P)
16	3400516	SCREW (S/P)
17	3349637	RETAINER, MOTOR (2)
18	3362089	SHIELD, TUB TO MOTOR (S/P)
19	389248	MOTOR, MAIN DRIVE
20	8529896	SWITCH, MAIN DRIVE MOTOR
21	62700	RETAINER, PUMP (2)
22	3363394	PUMP (COMPLETE)
23	273556	SCREW, 10-16 X 5/8 (S/P)
24	3946532	SHIELD, MOTOR (S/P)
25	62863	DESCONTINUADO
26	8572717	CAPACITOR (S/P)
27	357030	CLAMP, CAPACITOR (S/P)

7LSR5233EZ0 FLECHA HUECA

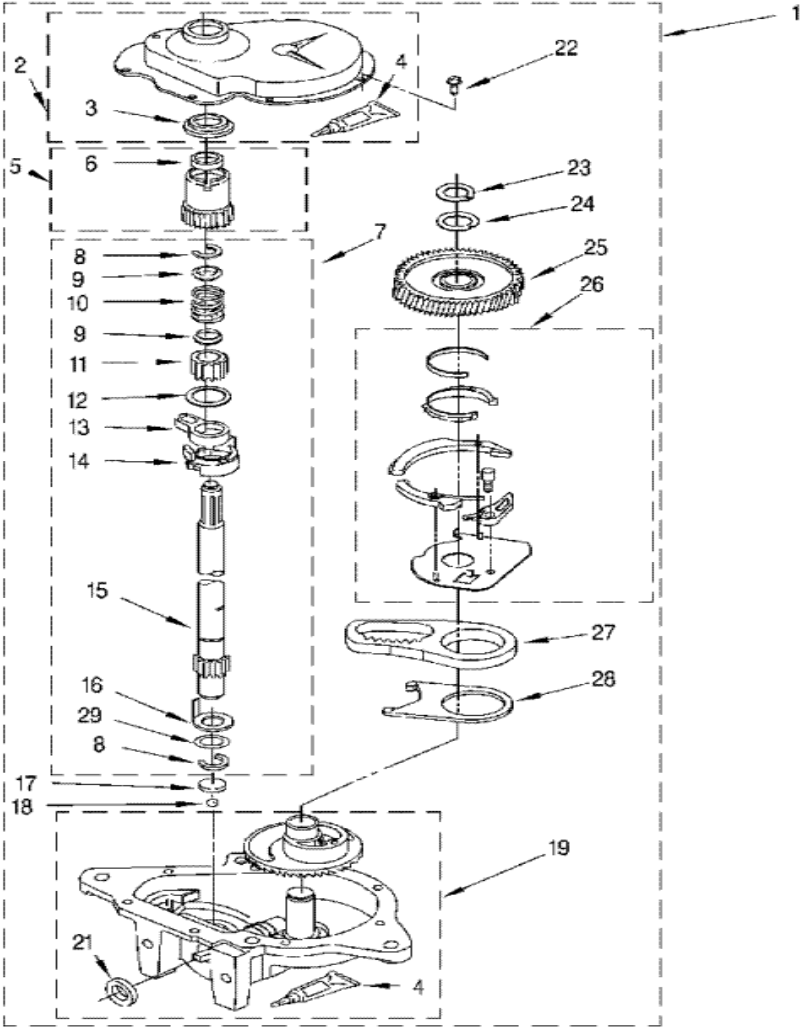




7LSR5233EZ0 FLECHA HUECA

1	285792	BRAKE AND DRIVE TUBE (COMPLETE)
2	62658	RING, THRUST
3	91939	SEAL. OIL
4	356427	SEAL, DRIVE TUBE
5	356937	SPACER, DRIVE TUBE
6	64208	TUBE, BASKET DRIVE (INCLUDES ILLUS. 3, 4, 5, & 9)
7	64035	RING, RETAINING (S/P)
8	285438	SHOE, BRAKE
9	62703	BEARING, SPIN TUBE
10	62648	DESCONTINUADO
11	387806	SPRING, BRAKE
12	285658	SLEEVE, BRAKE SPRING (S/P)
13	661516	CAM, BRAKE RELEASE
14	63022	DESCONTINUADO
15	64194	DRIVER, BRAKE CAM
16	90368	RING, RETAINING
16	285208	LUBRICANT (S/P)

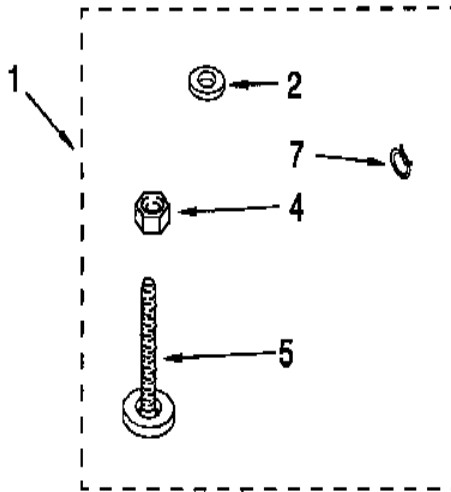
7LSR5233EZ0 TRANSMISION





7LSR5233EZ0 TRANSMISION

1	3360629	GEARCASE (COMPLETE)
2	285202	COVER, GEARCASE (S/P)
3	3349985	SEAL, GEARCASE COVER
4	285195	SEALER, GASKET (.20 FL. OZ.) (6 ML)
5	285362	PINION, SPIN (INCLUDES ILLUS. 25)
6	356427	SEAL, SPIN PINION
7	389387	SHAFT, AGITSTOR (COMPLETE)
8	90369	RING, RETAINING (2)
9	62677	RETAINER, SPRING
10	62676	SPRING, AGITATOR
11	63273	DESCONTINUADO
12	62619	DESCONTINUADO
13	62580	DESCONTINUADO
14	62581	DESCONTINUADO
15	285509	DESCONTINUADO
16	62618	WASHER, CAM THRUST
17	16018	DESCONTINUADO
18	285205	BALL, BEARING
19	285515	BOTTOM AND PINION, GEARCASE (S/P)
21	285352	SEAL, THRUST PLUG
22	3351614	SCREW, GEARCASE COVER (S/P)
23	285765	RING, RETAINING
24	285735	WASHER KIT, THRUST
25	285362	GEAR, SPIN
26	388253	NEUTRAL ASSEMBLY
27	3949609	RACK, CONNECTING
28	62621	ACTUATOR, SHIFT
29	388815	WASHER, INTERMEDIATE (S/P)



1	285609	MISCELLANEOUS PARTS BAG (S/P)
2	16123	DESCONTINUADO
4	3359452	NUT, LOCK (3/8-16) (S/P)
5	389102	FOOT, FRONT (2)
7	356138	CLAMP, HOSE (S/P)