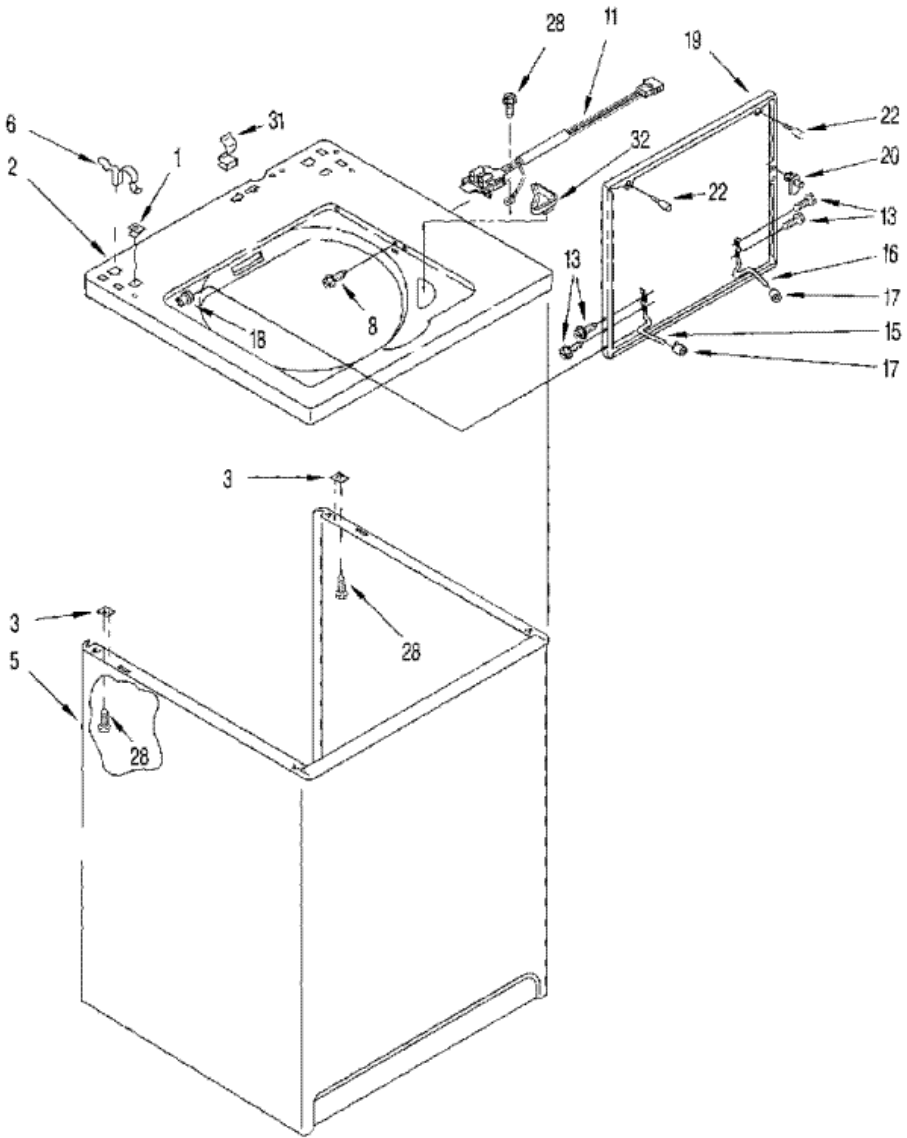


7LSR7233HZ0 GABINETE





7LSR7233HZ0 GABINETE

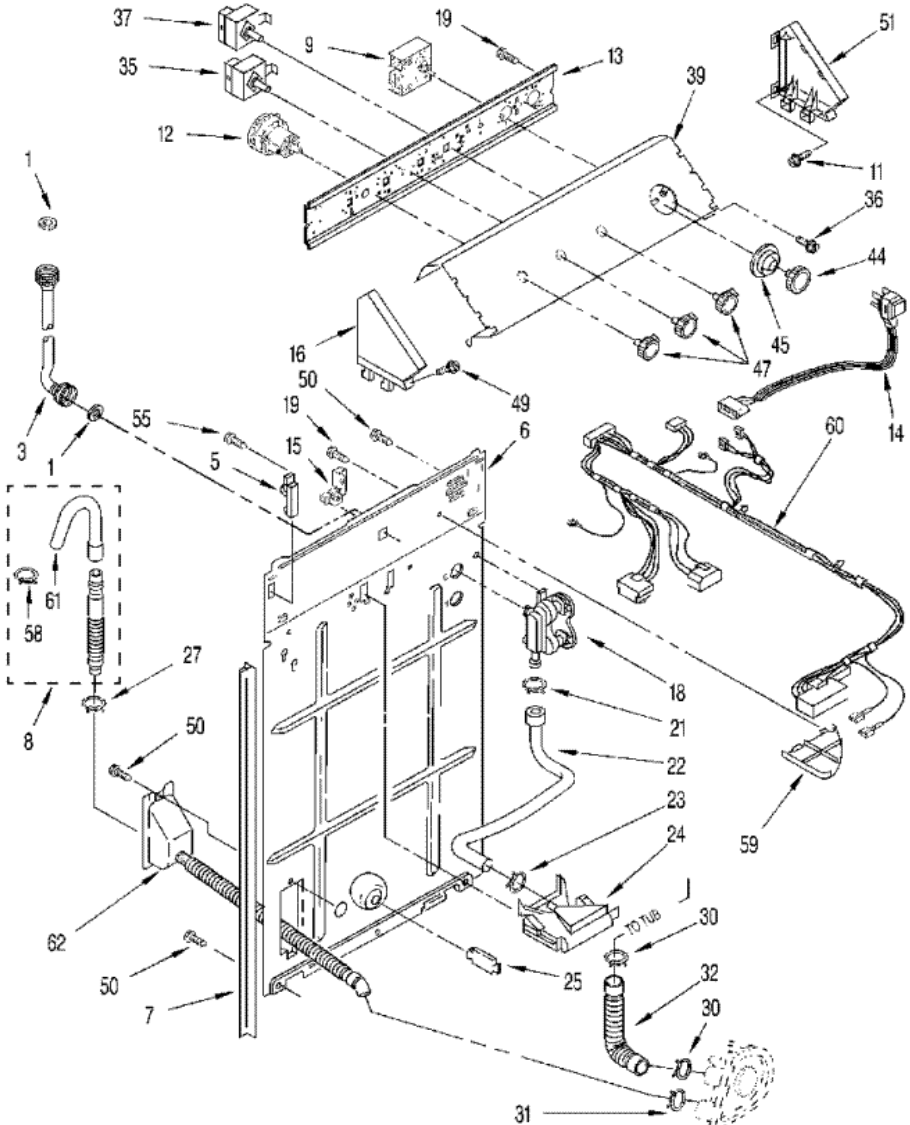
1	357213	NUT, PUSH-IN (2) (S/P)
2	3949477	TOP (S/P)
3	62750	SPACER, CABINET TO TOP (4) (S/P)
5	63425	CABINET
6	62780	CLIP, TOP & CABINET & REAR PANEL (2)
8	3356311	SCREW & WASHER, LID SWITCH (2) (S/P)
11	3949247	SWITCH, LID
13	3351355	SCREW, LID HINGE MOUNTING (4) (S/P)
15	54584	HINGE, LID (L.H.) (S/P)
16	54583	HINGE, LID (R.H.) (S/P)
17	19119	BUMPER, LID HINGE (S/P)
18	21258	BEARING, LID HINGE (2) (S/P)
19	3957564	LID (S/P)
20	358684	STRIKE, LID SWITCH
22	93770	BUMPER, LID (2)
28	384435	SCREW, 10-16 X 1/2 (5) (S/P)
31	90016	CLIP, HARNESS (S/P)
32	3362952	DISPENSER, BLEACH

Distribuidor Autorizado

SurteRápido.com

Venta de Refacciones
Electrodomesticas

7LSR7233HZ0 TABLERO



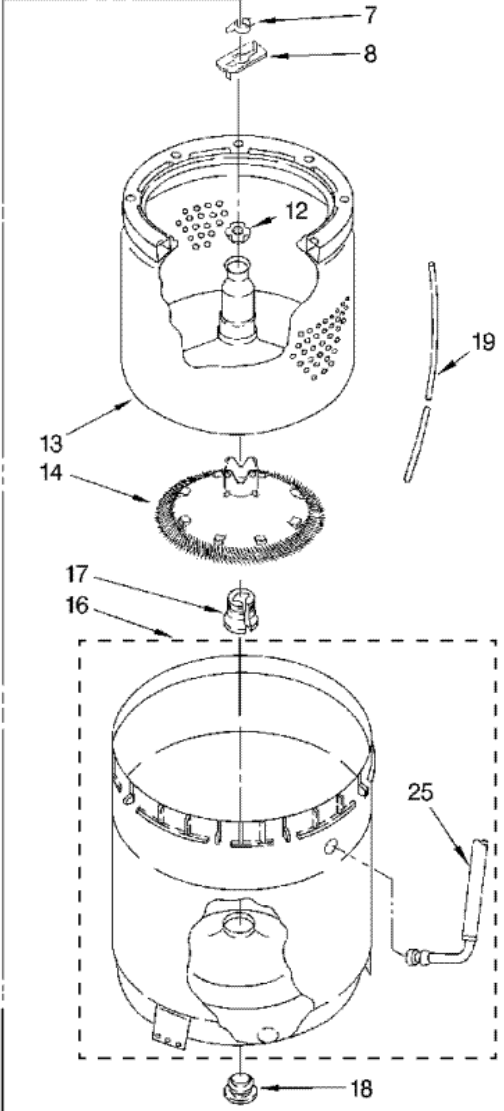
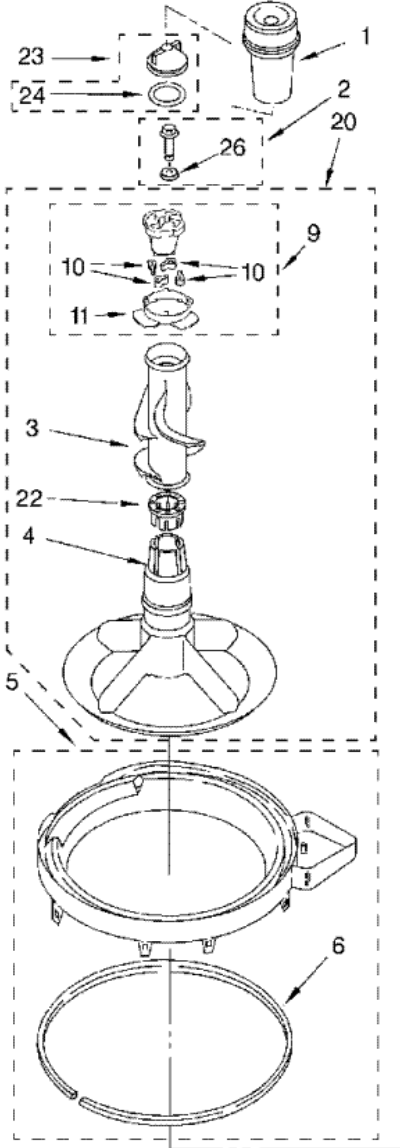


7LSR7233HZ0 TABLERO

1	16123	WASHER, WATER INLET HOSE (4) (S/P)
3	89503	HOSE, WATER INLET (2) (RED COUPLING)
5	387402	HINGE, CONSOLE (2)
6	3357978	PANEL, REAR (S/P)
7	62747	PAD, REAR PANEL (S/P)
8	661577	HOSE, DRAIN (9') (NOT INCLUDED) (S/P)
8	285702	EXTENSION DRAIN HOSE (21 INCHES) (S/P)
8	285664	HOSE, DRAIN (4')
9	3949208	TIMER, CONTROL (60 HZ.)
11	90767	SCREW 8A X 3/8 (S/P)
12	3366848	SWITCH, WATER LEVEL
13	3948608	BRACKET, CONTROL (S/P)
14	285800	CORD, POWER
15	285777	STRAIN RELIEF, POWER CORD (S/P)
16	285848	CAP, END (L.H.) (S/P)
18	285805	VALVE, WATER MIXING
19	90864	SCREW, 10-24 X 3/8 (2) (S/P)
21	596669	CLAMP, HOSE (S/P)
22	3357328	HOSE, VACUUM BREAK
23	596669	CLAMP, HOSE (S/P)
24	3360977	BREAK, VACUUM
25	8519200	SUPPORT, REAR PANEL
27	356138	CLAMP, HOSE (S/P)
30	616099	CLAMP, HOSE (S/P)
31	285655	CLAMP, HOSE (S/P)
32	285871	HOSE, PUMP TO TUB
35	661612	SWITCH, WATER TEMPERATURE
36	3400808	SCREW, TIMER MOUNTING (10-32 X 1) (2) (S/P)
37	3949187	SWITCH, ROTARY (S/P)
39	3967140	PANEL, CONSOLE (S/P)
44	3957823	KNOB, TIMER
45	3950763	DIAL, TIMER
47	3950760	KNOB, CONTROLS (S/P)

49	388326	SCREW, 8-18 X 1.25 (PANEL TO TOP) (S/P)
50	9740848	SCREW, 10-16 X 3/8 (S/P)
51	3358514	CAP , END (R.H.) (S/P)
55	3357011	SCREW, 10-16 X 1/2 (S/P)
58	3357331	CLAMP, DRAIN HOSE (S/P)
59	8539874	SHEILD, SUDS (S/P)
60	3952571	HARNESS, WIRING (S/P)
61	3357027	NOZZLE-DRAIN HOSE (S/P)
62	8317940	HOSE-DRAIN CONNECTOR ASSY

7LSR7233HZ0 TINA





7LSR7233HZ0 TINA

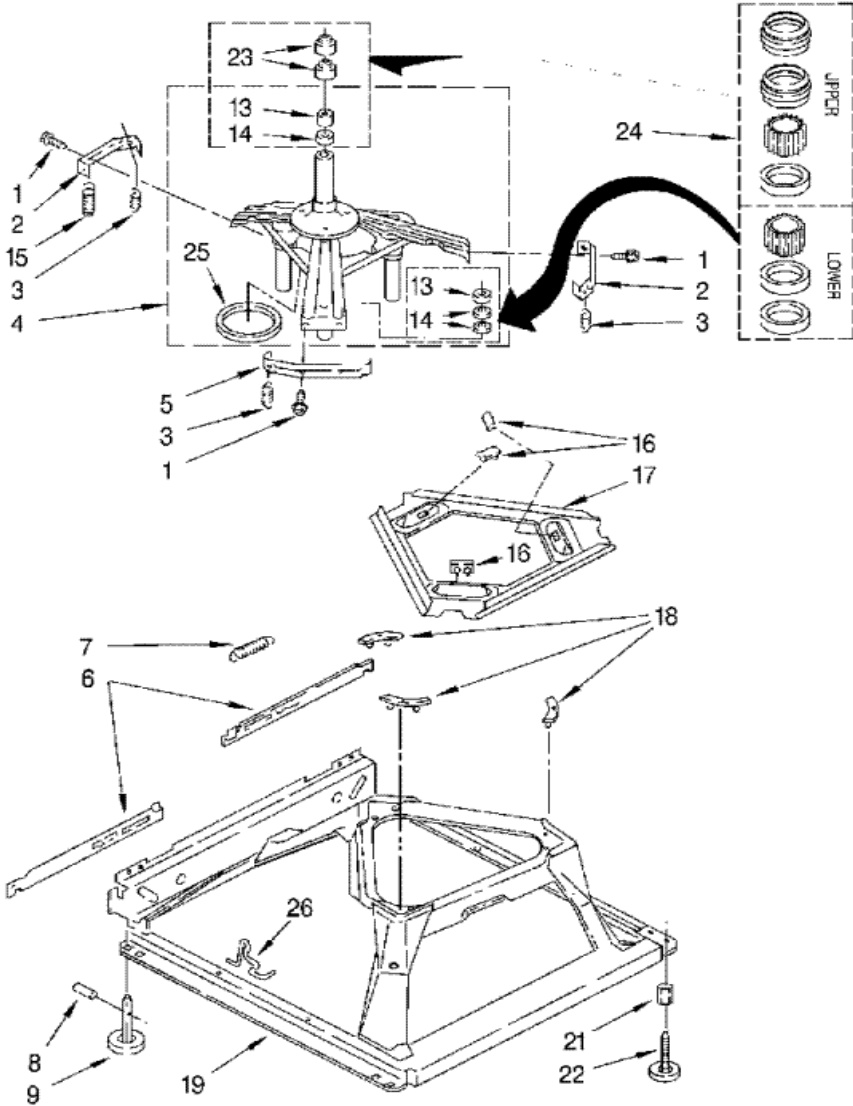
1	63580	DISPENSER, ASSY.
2	358237	SCREW & WASHER (5-16-24 X 1)
3	3363003	CLOTHES MOVER
4	3347288	AGITATOR
5	8528150	TUB RING & GASKET
6	3976308	GASKET, TUB RING
7	3354845	CLIP, AGITATOR (S/P)
8	3355921	WASHER, AGITATOR (S/P)
9	285811	CAM DRIVEN
10	285770	DOG, AGITATOR CLUTCH
11	3363661	BEARING-DRIVEN CAM (S/P)
12	21366	NUT, SPANNER
13	8526017	BASKET & BALANCE RING (S/P)
14	285868	PLATE, FILTER
16	3361596	TUB (S/P)
17	389140	BLOCK, BASKET DRIVE
18	383727	GASKET, CENTER POST
19	353244	HOSE, PRESSURE SWITCH
20	3946501	AGITATOR (COMPLETE ASY.) (S/P)
22	285587	SPACER, THRUST
23	285551	CAP, BARRIER
24	3348855	SEAL, INNER CAP
25	3948705	HOSE, BLEACH (S/P)
26	3949550	WASHER (S/P)

Distribuidor Autorizado

SurteRápido.com

Venta de Refacciones
Electrodomesticas

7LSR7233HZ0 BASE

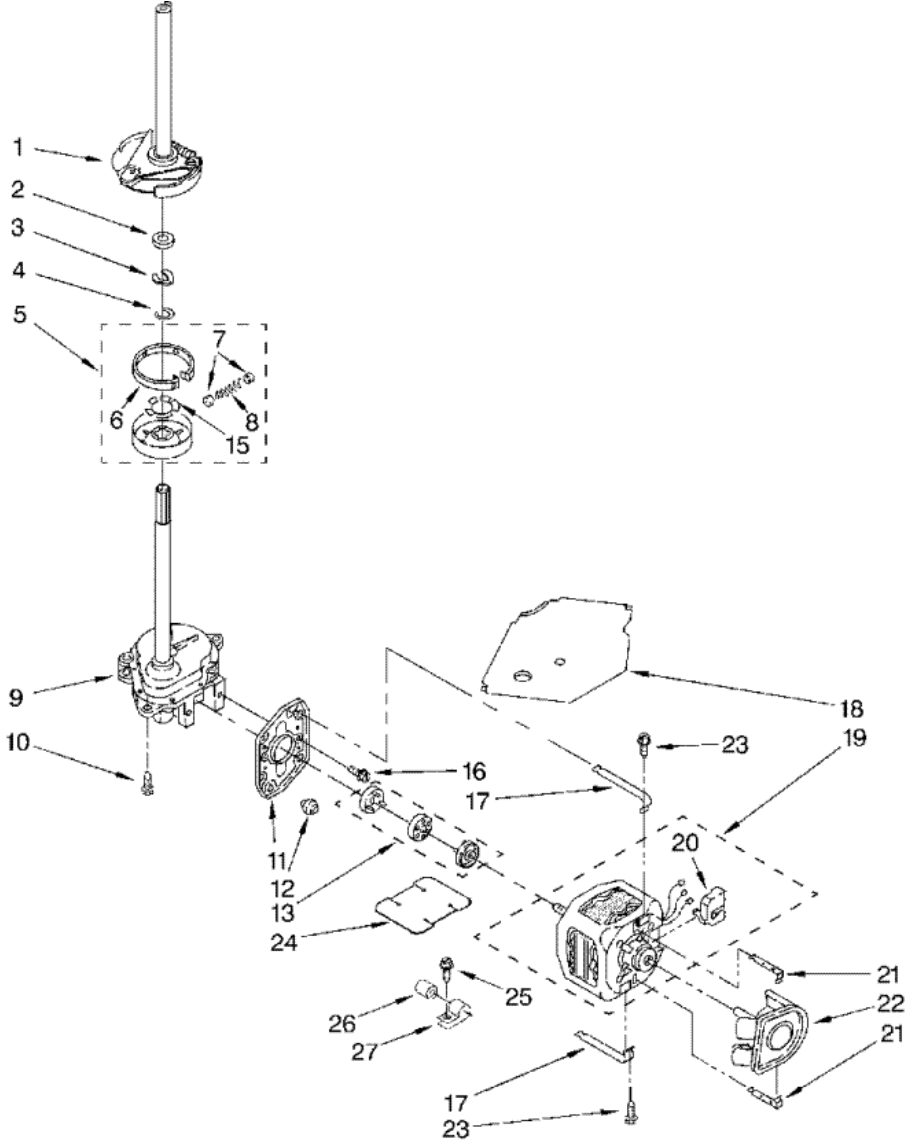




7LSR7233HZ0 BASE

1	343641	SCREW, BRACKET MOUNTING (S/P)
2	64067	BRACKET, SPRING OUTER (2)
3	63907	SPRING, SUSPENSION (3)
4	280184	SUPPORT & BRAKE, TUB
5	64065	BRACKET, SPRING OUTER (L.F.)
6	63466	LINK, LEVELING MECHANISM (2)
7	8316845	SPRING, LEVELING MECHANISM
8	62837	PIN, KNURLED (S/P)
9	285244	FOOT, REAR (2)
13	8546455	BEARING, CENTERPOST (2) (S/P)
14	359449	SEAL, CENTERPOST (3)
15	388492	SPRING, COUNTERWEIGHT
16	285219	PAD, PLATE
17	3946509	PLATE, SUSPENSION (INCLUDES ILLUS. 16)
18	285744	PAD, BASE
19	285771	BASE ASSEMBLY
21	3359452	NUT, LOCK (3/8-16) (2) (S/P)
22	389102	FOOT, FRONT (2)
23	91938	SEAL, CENTERPOST (2)
24	285203	CENTERPOST BEARING KIT
25	63134	RING, SOUND DEADENING
26	63806	RETAINER, SUSPENSION SPRING

7LSR7233HZ0 MOTOR





7LSR7233HZ0 MOTOR

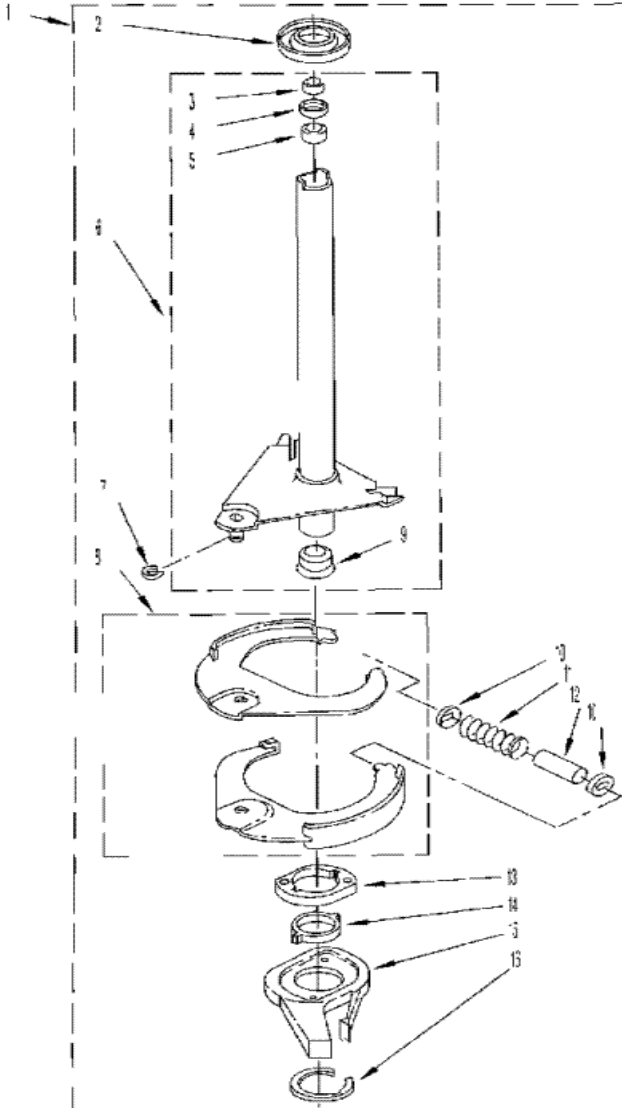
1	285792	BRAKE & DRIVE TUBE (COMPLETE)
2	63292	WASHER, SPIN TUBE THRUST
3	62697	RING, SPIN TUBE SUPPORT
4	285353	RING, RETAINER
5	285785	CLUTCH (COMPLETE)
6	285790	BAND & LINING, CLUTCH (INCLUDES ILLUS. 7 & 8)
7	62646	CAP, CLUTCH SPRING (2) (S/P)
8	3946792	SPRING, CLUTCH (S/P)
9	3360629	GEARCASE (COMPLETE)
10	3357334	SCREW, GEARCASE TO BASE (3) (S/P)
11	62611	PLATE, MOTOR MOUNT TO GEARCASE
12	62691	GROMMET, MOTOR (4)
13	285753	COUPLING, MOTOR & ISOLATION
15	3355454	CLIP, ANTI-RATTLE (S/P)
16	3357334	SCREW (S/P)
17	3349637	RETAINER, MOTOR (2)
18	3362089	SHIELD, TUB TO MOTOR (S/P)
19	389248	MOTOR, MAIN DRIVE
20	8529896	SWITCH, MAIN DRIVE MOTOR
21	62700	RETAINER, PUMP (2)
22	3363394	PUMP (COMPLETE)
23	3387485	SCREW, 10-16 X 5/8 (S/P)
24	3946532	SHIELD, MOTOR (S/P)
25	62863	SCREW, 10-16 X 3/8 (S/P)
26	8572717	CAPACITOR (S/P)
27	357030	CLAMP, CAPACITOR (S/P)

Distribuidor Autorizado

SurteRápido.com

Venta de Refacciones
Electrodomesticas

7LSR723HZ0 FLECHA HUECA





7LSR7233HZ0 FLECHA HUECA

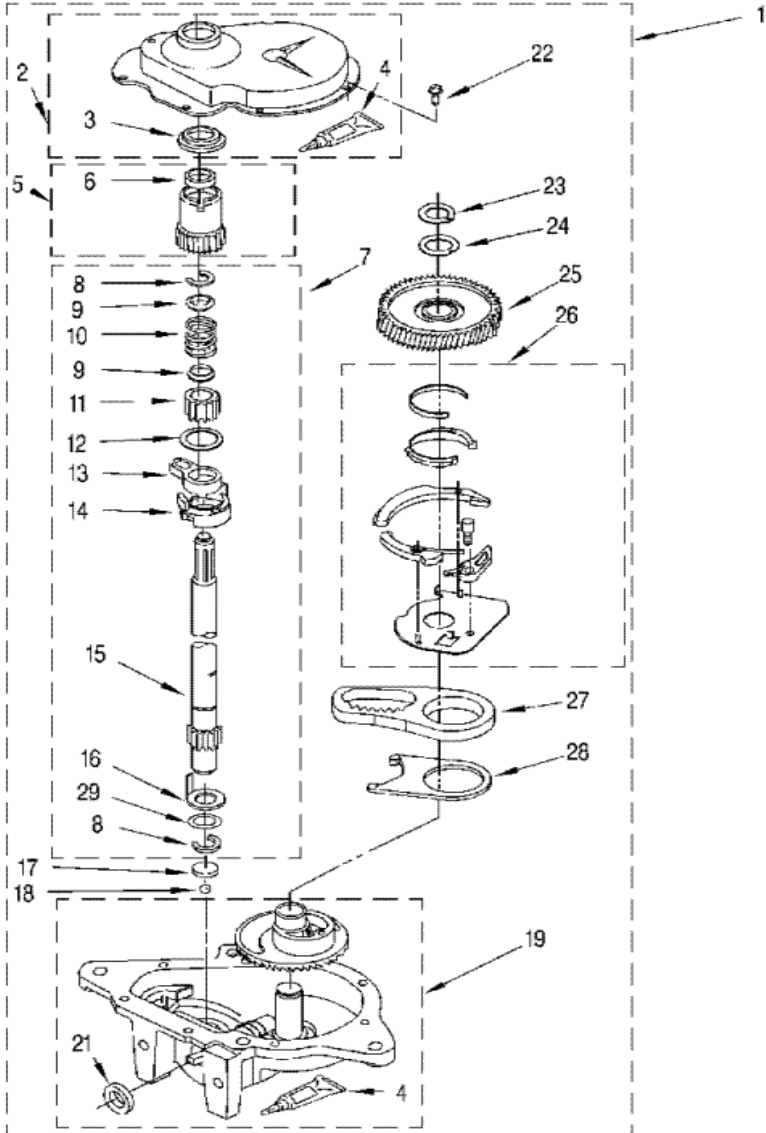
1	285792	BRAKE AND DRIVE TUBE (COMPLETE)
2	62658	RING, THRUST
3	91939	SEAL. OIL
4	356427	SEAL, DRIVE TUBE
5	356937	SPACER, DRIVE TUBE
6	64208	TUBE, BASKET DRIVE
7	64035	RING, RETAINING (S/P)
8	285438	SHOE, BRAKE
9	62703	``T`` BEARING, SPIN TUBE
10	285658	CAP, BRAKE SPRING (2) (S/P)
11	387806	SPRING, BRAKE
12	285658	SLEEVE, BRAKE SPRING (S/P)
13	661516	CAM, BRAKE RELEASE
14	63022	DESCONTINUADO
15	64194	DRIVER, BRAKE CAM
16	90368	RING, RETAINING
16	285208	LUBRICANT (S/P)

Distribuidor Autorizado

SurteRápido.com

Venta de Refacciones
Electrodomesticas

7LSR7233HZ0 TRANSMISION

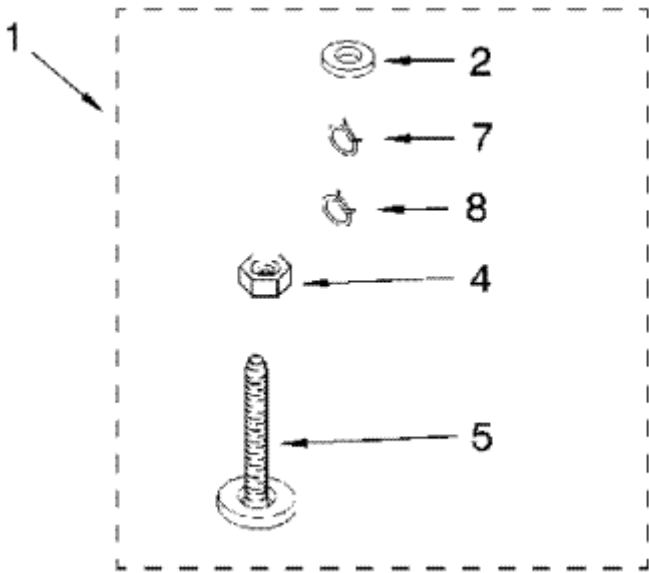




7LSR7233HZ0 TRANSMISION

1	3360629	GEARCASE (COMPLETE)
2	285202	COVER, GEARCASE (S/P)
3	3349985	SEAL, GEARCASE COVER
4	285195	SEALER, GASKET (.20 FL. OZ.) (6 ML)
5	285362	PINION, SPIN (INCLUDES ILLUS. 25)
6	356427	SEAL, SPIN PINION
7	389387	SHAFT, AGITSTOR (COMPLETE)
8	90369	RING, RETAINING (2)
9	62677	RETAINER, SPRING
10	62676	SPRING, AGITATOR
11	285509	DESCONTINUADO
12	62619	WASHER, AGITATOR GEAR (S/P)
13	285206	CAM FOLLOWER (INCLUDES 14)
14	285206	CAM, AGITATE (INCLUDES 13)
15	285509	DESCONTINUADO
16	62618	WASHER, CAM THRUST
17	285205	BEARING, THRUST
18	285205	BALL, BEARING
19	285515	BOTTOM AND PINION, GEARCASE (S/P)
21	285352	SEAL, THRUST PLUG
22	3351614	SCREW, GEARCASE COVER, MOUNTING (S/P)
23	285765	RING, RETAINING
24	285735	WASHER KIT, THRUST
25	285362	GEAR, SPIN
26	388253	NEUTRAL ASSEMBLY
27	3949609	RACK, CONNECTING
28	62621	ACTUATOR, SHIFT
29	388815	WASHER, INTERMEDIATE (S/P)

7LSR7233HZ0 PATA



1	285654	MISCELLANEOUS PARTS BAG (S/P)
2	16123	WASHER, INLET HOSE (1-1/16 X 5/8) (4) (S/P)
4	3359452	NUT, LOCK (3/8-16) (S/P)
5	389102	FOOT, FRONT (2)
7	3357331	CLAMP, HOSE (S/P)
8	356138	CLAMP, HOSE (S/P)