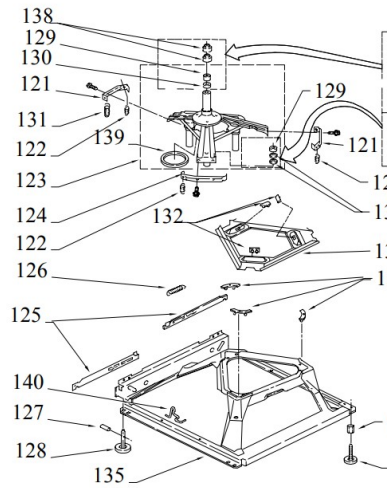
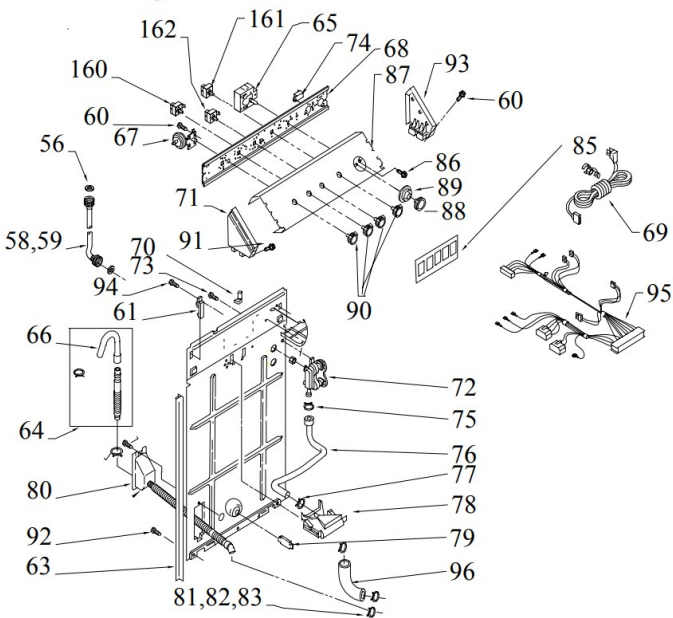
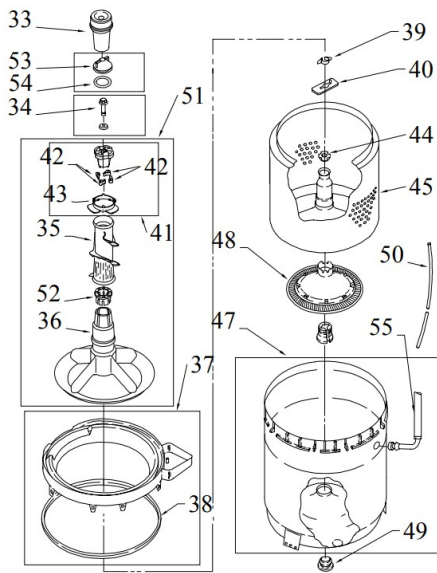
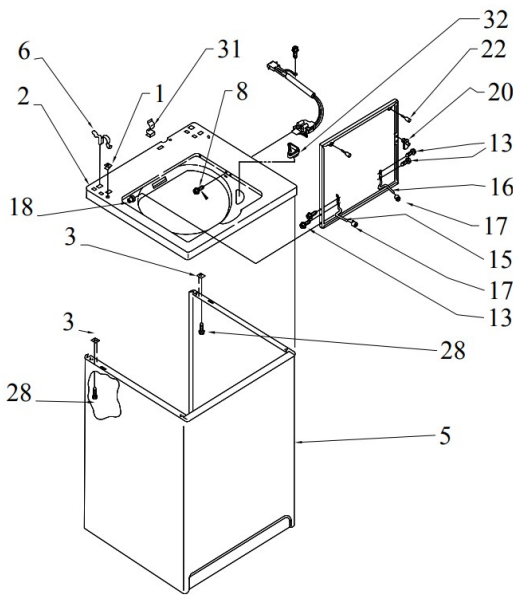
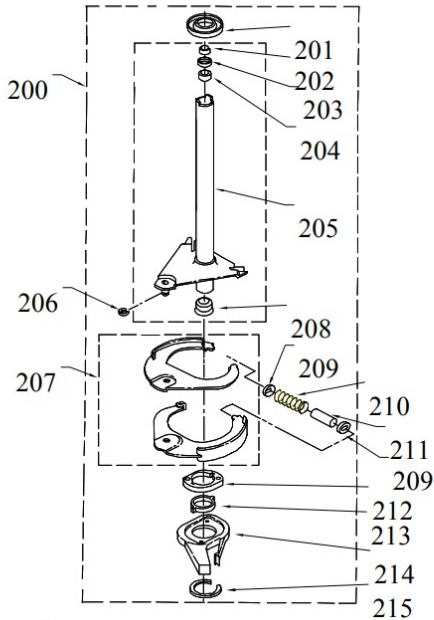
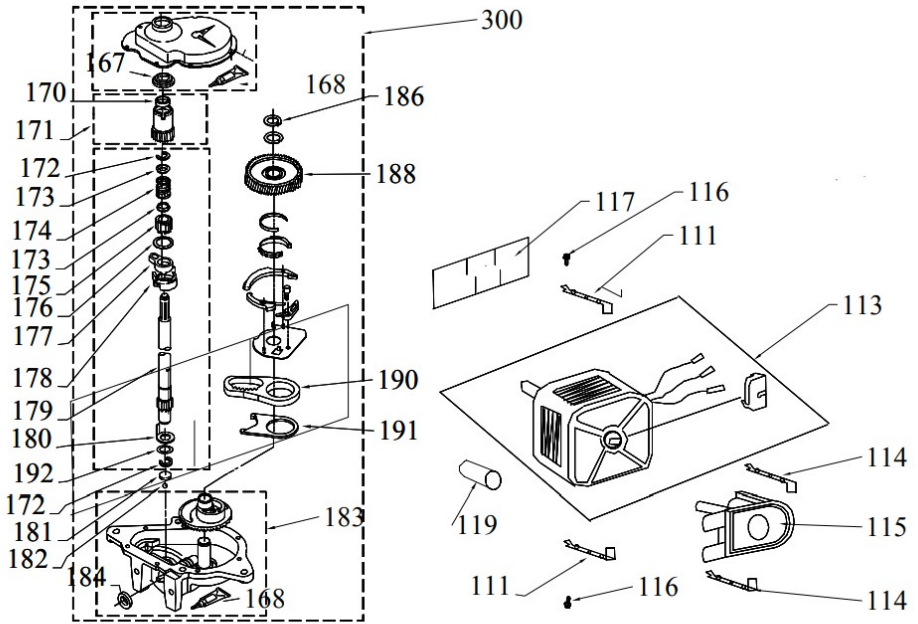


Lavadora Whirlpool 7LSR9245FZO



Lavadora Whirlpool 7LSR9245FZO





## Lavadora Whirlpool 7LSR9245FZO

<b>No. Ilus.</b>	<b>DESCRIPCIÓN</b>	<b>No. de Parte</b>
<b>1</b>	NUT-PUSH IN	357213
<b>2</b>	TOP FIN ALM 27 BLE TPA	3949477
<b>3</b>	SPACER-CAB/TOP	62750
<b>5</b>	CABINET ASSY./MOCT./ALM	3966825
<b>6</b>	CLIP-TOP & CAB-R PNL	62780
<b>8</b>	6-20X1.100 FL WASH ABS	3356311
<b>13</b>	6-32X.340 FL CR SS SEMS	3351355
<b>15</b>	HINGE LID LH	54584
<b>16</b>	HINGE LID RH	54583
<b>17</b>	BUMPER LID HINGE	19119
<b>18</b>	BEARING LID HINGE	21258
<b>19</b>	LID PAINT ALM	3951731
<b>20</b>	STRIKE LID SW	358684
<b>22</b>	BUMPER RUBBER	93770
<b>28</b>	10-16X.500 HW GR BT	384435
<b>31</b>	CLIP	90016
<b>32</b>	DISPENSER BLEACH WHT	3362952
<b>33</b>	DISPENSER ASY	63580
<b>34</b>	SCR& WSHR ASY	358237
<b>35</b>	CLOTHES MOVER 3-VANE PLUS	3363003
<b>36</b>	AGIT BASE ASY 4VANE	3347288
<b>37</b>	TUB RING & GSKT ASY	63851
<b>38</b>	TUB RING SEAL	3359585
<b>39</b>	CLIP AGITATOR	3354845
<b>40</b>	WASHER AGITATOR	3355921
<b>41</b>	CAM DRIVEN SHORT	3363663
<b>42</b>	DOG AGIT CLUTCH	3366877
<b>43</b>	BEARING DRIVEN CAM	3363661

<b>No. Ilus.</b>	<b>DESCRIPCIÓN</b>	<b>No. de Parte</b>
44	NUT BAS SPANNER	21366
45	BSKT& BAL RING ASY	64217
46	PLATE FILTER	3361948
47	TUB ASY DISP	388893
48	BLOCK BASKET DRIVE	389140
49	GASKET CENTERPOST	383727
50	HOSE PRESS.SW.(1080)	3347780
51	SCRUBBER & AGIT ASSY	3946501
52	SPACER THRUST	3350389
53	CAP BARRIER	3347290
54	SEAL -INNER CAP	3348855
55	HOSE-BLEACH 1PIECE	3948705
56	WSHR 1 1/16X5/8	16123
58	HOSE(INLET)	3949368
59	HOSE(INLET)	3949369
60	8-18X.375 HW AB	90767
61	HINGE ASY	387402
63	PAD REAR PANEL	62747
64	DRAIN HOSE ASSEMBLY	3951609
65	TIMER EATON	3948171
66	NOZZLE-DRAIN HOSE	3357027
67	PRESURE SWITCH-4POS1	3356465
68	BRAKET CONTROL 27" TAP C	3948608
69	CORD POWER	3948063
70	STRAIN RELIEF TPA	3949468
71	CAP-END LH WHP ALM	3358529
72	VALVE WATER MIXING	3360392
73	10-24X.375 HW T	90864

<b>No. Ilus.</b>	<b>DESCRIPCIÓN</b>	<b>No. de Parte</b>
<b>74</b>	MINI BUZZER(NON ADJ)	694419
<b>75</b>	CLAMP HOSE DOUBLE	370451
<b>76</b>	HOSE VACCUM BREAK	3357328
<b>77</b>	CLAMP HOSE	371503
<b>78</b>	THERM INLET SUB ASY	387606
<b>79</b>	SUPPORT REAR PANEL	63290
<b>80</b>	HOSE CORRUGATED ASSY	3361805
<b>81</b>	CLAMP HOSE	660628
<b>82</b>	CLAMP HOSE REF	272858
<b>83</b>	CLAMP-HOSE REF	370447
<b>84</b>	CLAMP-HOSE REF	353097
<b>85</b>	SW-CLN TCH 8 PAD	***
<b>86</b>	SCREW	96435
<b>87</b>	PANEL FINISH (BAIC CT)	3967137
<b>88</b>	KNOB & INSERT ASSY TIMER	3364293
<b>89</b>	TIMER DIAL ASSY. WHPL.	3946262
<b>90</b>	KNOB CONTROL W/P	3950760
<b>91</b>	8-18X1.250 OVTIÑ6 CR PP	388326
<b>92</b>	10-16X.375 HW SL GR B	62863
<b>93</b>	CAP END RH WHP	3358514
<b>94</b>	10-16X.500 TR CR SG SER	3357011
<b>95</b>	HARNES WHPL 27" TAP	3948207
<b>96</b>	HOSE-TUB TO PUMP	3950340
<b>111</b>	RETAINER MOTOR	3349637
<b>113</b>	MOTOR 2 SPEED 60 HZ 127V	3946897
<b>114</b>	RETAINER PUMP	62700
<b>115</b>	PUMP ASSEMBLY	3363394
<b>116</b>	10-16X.625Ñ8HX X Ñ10W GR	3387485



## Lavadora Whirlpool 7LSR9245FZO

<b>No. Ilus.</b>	<b>DESCRIPCIÓN</b>	<b>No. de Parte</b>
<b>117</b>	SHIELD MOTOR 1 PIECE TRUS	3946532
<b>119</b>	CAPACITOR MTR START	357021
<b>120</b>	CLAMP CAPACITOR	357030
<b>121</b>	BRKT SPRING FIN	64067
<b>122</b>	SPRING SUSPENSION	63907
<b>123</b>	TUB SUPP & DRUM ASSY	3362087
<b>124</b>	BRKT SPRING FIN	64065
<b>125</b>	LINK LEVEL MECH RAW	3348727
<b>126</b>	SPRING LEV MECH	62597
<b>127</b>	PIN STR KNURLED	62837
<b>128</b>	FOOT REAR	62596
<b>129</b>	BEARING CENTERPOST	3362086
<b>130</b>	SEAL SHAFT	3362085
<b>131</b>	SPRING CWT	388492
<b>132</b>	PAD SUSPENSION (GIMBAL)	62568
<b>133</b>	SUSP PLT ASY COMP TEX	3946509
<b>134</b>	PAD SUSPENSION HORIZ	3363660
<b>135</b>	BASE ASY COMPL 27	3946512
<b>136</b>	NUT 3/8-16	3359452
<b>137</b>	FOOT FRONT	389102
<b>138</b>	SEAL CNTR POST	356934
<b>139</b>	RING SOUND DEADENING	63134
<b>140</b>	RETAINER SUSP SPRING	63806
<b>160</b>	SWITCH ROT TPA ARK LES	3949184
<b>161</b>	SWITCH ROTARY MASTEK 3POS	3361225
<b>162</b>	SWITCH ROTARY MASTEK 3POS	3354281
<b>166</b>	COVER GEARCASE	62612
<b>167</b>	SEAL COVER GEAR CASE	3349985

<b>No. Ilus.</b>	<b>DESCRIPCIÓN</b>	<b>No. de Parte</b>
<b>170</b>	SEAL	356427
<b>171</b>	AGIT SHAFT ASY COMP	389387
<b>172</b>	RINGRETAINING	90369
<b>173</b>	RETANER SPRING	62677
<b>174</b>	SPRING AGIT	62676
<b>175</b>	GEAR AGITATE	63273
<b>176</b>	WASHER AGTR GEAR	62619
<b>177</b>	FOLLOWER CAM	62580
<b>178</b>	CAM AGITATE	62581
<b>179</b>	SHAFT AGTR	62624
<b>180</b>	WASHER CAM THRUST	62618
<b>181</b>	BEARINGTHRUST	16018
<b>182</b>	BALL	85529
<b>183</b>	SEAL THRUST PLUG	63387
<b>186</b>	RING RETAINING	90369
<b>188</b>	GEAR SPIN	62570
<b>190</b>	RACK CONNECTING	3349296
<b>191</b>	ACTUATOR SHIFT	62621
<b>192</b>	WASHER INTERMEDIATE	3349296
<b>201</b>	RING THRUST	62658
<b>202</b>	SEAL	91939
<b>203</b>	SEAL	356427
<b>204</b>	SPACER	356937
<b>205</b>	TUBE ASY COMP B/DR	64027
<b>206</b>	RING "E"	64035
<b>207</b>	BRAKE SHOE ASY COMP	64232
<b>208</b>	T BRG LOW SPIN TUBE	62703
<b>209</b>	BRAKESPRING CAP	3353956



## Lavadora Whirlpool 7LSR9245FZ0

<b>No. Ilus.</b>	<b>DESCRIPCIÓN</b>	<b>No. de Parte</b>
<b>210</b>	SPRING BRAKE	387806
<b>211</b>	SLEEVE BRAKE SPRING	3355360
<b>212</b>	CAM BRAKE RELEASE REF	63023
<b>213</b>	SLEEVE CAM	63022
<b>214</b>	DRIVER BRAKE CAM	64194
<b>215</b>	RING RETAINING	90368
<b>300</b>	GEARCASE ASY COMP.	3360630