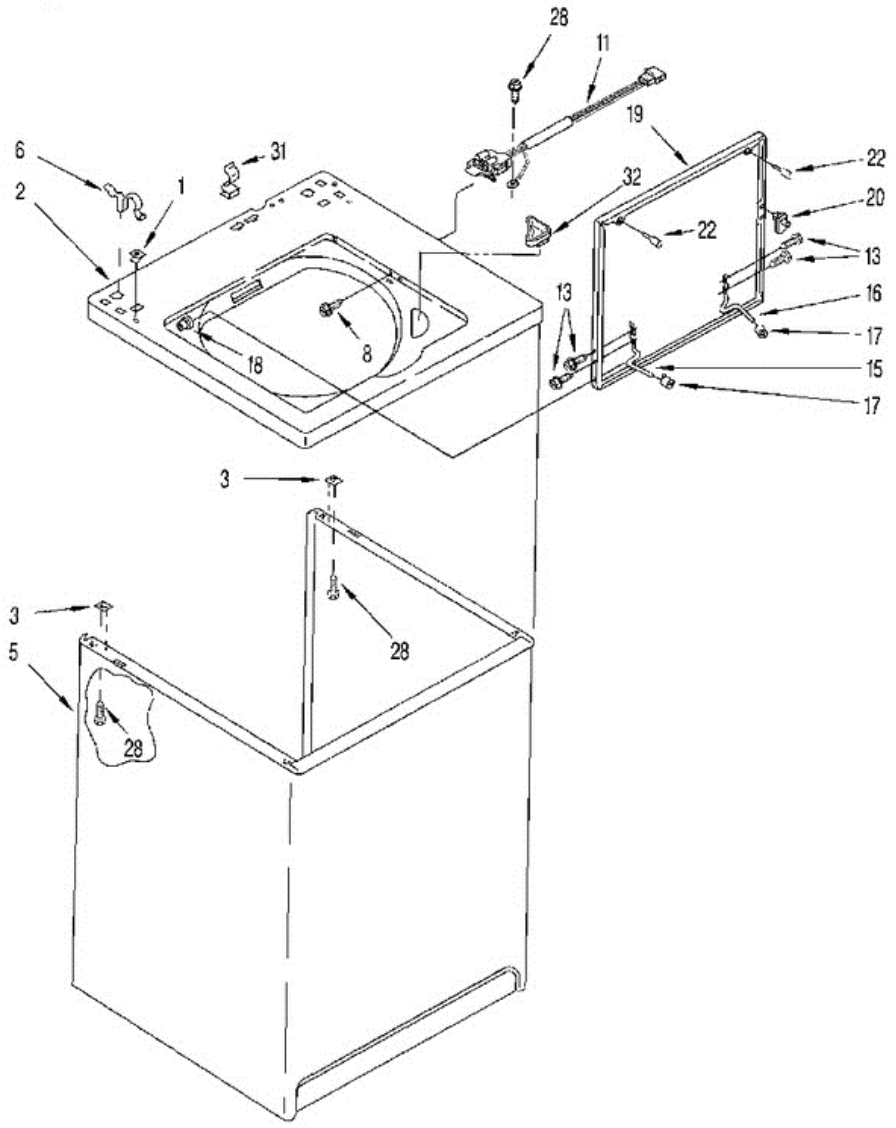


7LSR9245HZ0 GABINETE





7LSR9245HZ0 GABINETE

1	357213	NUT, PUSH-IN (2)
2	3949477	TOP
3	62750	SPACER, CABINET TO TOP (4)
5	63425	CABINET
6	62780	CLIP, TOP & CABINET & REAR PANEL (2)
8	3356311	SCREW & WASHER, LID SWITCH (2)
11	3949237	SWITCH, LID
13	3351355	SCREW, LID HINGE MOUNTING (4)
15	54584	HINGE, LID (L.H.)
16	54583	HINGE, LID (R.H.)
17	19119	BUMPER, LID HINGE
18	21258	BEARING, LID HINGE (2)
19	3361393	LID
20	358684	STRIKE, LID SWITCH
22	9724509	BUMPER, LID (2)
28	384435	SCREW, 10-16 X 1/2 (5)
31	90016	CLIP, HARNESS
32	3362952	DISPENSER, BLEACH

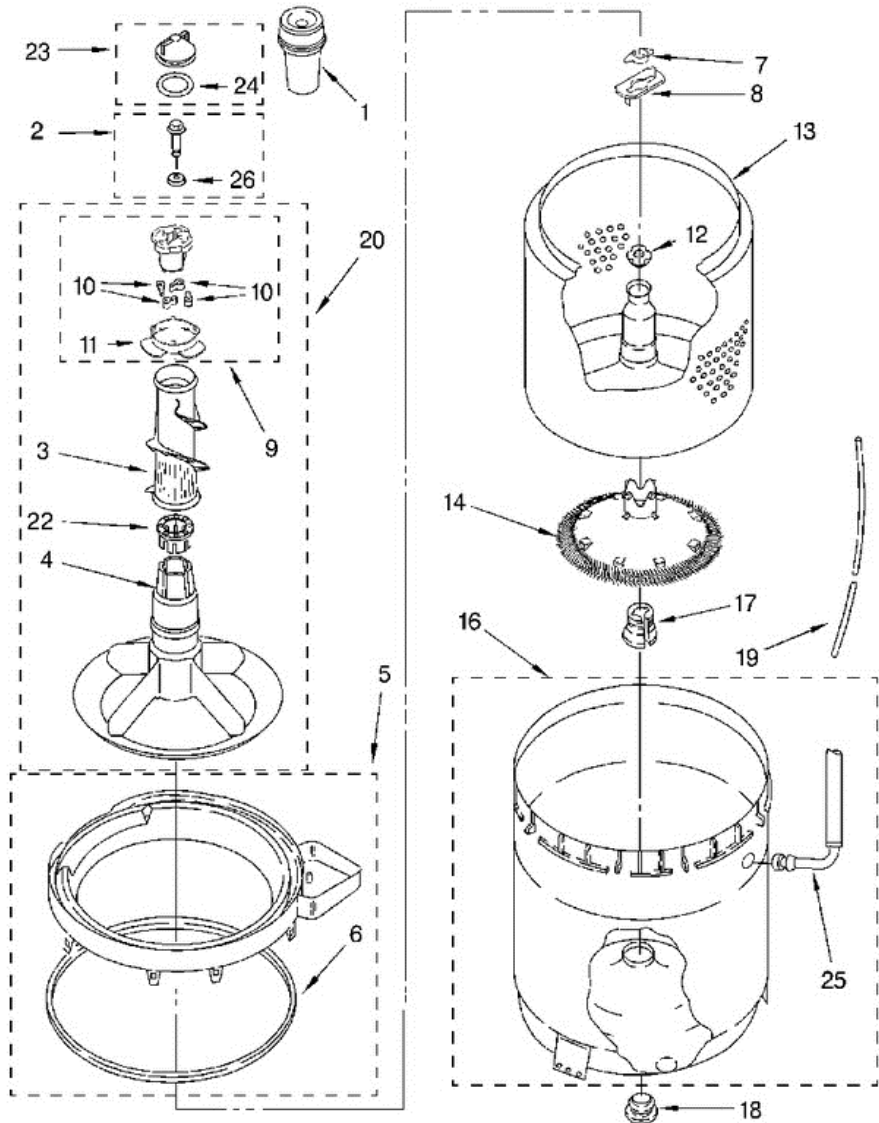


7LSR9245HZ0 TABLERO

1	3976300	WASHER, WATER INLET HOSE (4) (1-1/16 X 5/8)
2	661614	SWITCH, CYCLE MODIFIER
3	3949368	HOSE, WATER INLET (2) (HOSE (INLET))
3	3949369	HOSE, WATER INLET (2) (HOSE (INLET))
5	387402	HINGE, CONSOLE (2)
6	3357978	PANEL, REAR
7	62747	PAD, REAR PANEL
8	3357090	EXTENSION, DRAIN HOSE (21 INCHES)
8	3951609	HOSE, DRAIN (4 FT.)
8	661577	HOSE, DRAIN (9 FT.) (NOT INCLUDED)
9	3951702	TIMER, CONTROL (60 HZ.)
11	90767	SCREW, 8A X 3/8
12	3366846	SWITCH, PRESSURE
13	3948608	BRACKET, CONTROL
14	3948063	CORD, POWER
15	3949468	STRAIN RELIEF, POWER CORD
16	3358529	CAP, END (L.H.)
18	3952164	VALVE, WATER MIXING
19	3351614	SCREW, 10-24 X 3/8 (2)
21	272846	(ALT.)
21	353367	(ALT.)
21	370451	CLAMP, HOSE
22	3357328	HOSE, VACUUM BREAK
23	371503	CLAMP, HOSE
24	387606	BREAK, VACUUM
25	63290	SUPPORT, REAR PANEL
27	3366912	CLAMP, HOSE
30	3363366	CLAMP, HOSE
31	272858	(ALT.)
31	353097	(ALT.)
31	370447	(ALT.)
31	660628	CLAMP, HOSE
32	3950340	HOSE, PUMP TO TUB

33	694419	BUZZER, MINI
35	3949188	SWITCH, ROTARY
36	3400808	SCREW, TIMER MOUNTING (8-18 X 5/16)
37	3354281	SWITCH, WATER TEMPERATURE
39	3967147	PANEL, CONSOLE
44	3951027	KNOB, TIMER
45	3950763	DIAL, TIMER
47	3950760	KNOB, CONTROLS
49	388326	SCREW, 8-18 X 1.25 (PANEL TO TOP)
50	62863	SCREW, 10-16 X 3/8
51	3358514	CAP , END (R.H.)
55	3357011	SCREW, 10-16 X 1/2
57	3357027	NOZZLE, HOSE DRAIN
58	3366913	CLAMP, DRAIN HOSE
59	3348424	SHEILD, SUDS
60	3952574	HARNESS, WIRING (INCLUDES POWER CORD)
61	3361805	HOSE-DRAIN CONNECTOR ASSY

7LSR9245HZ0 TINAS

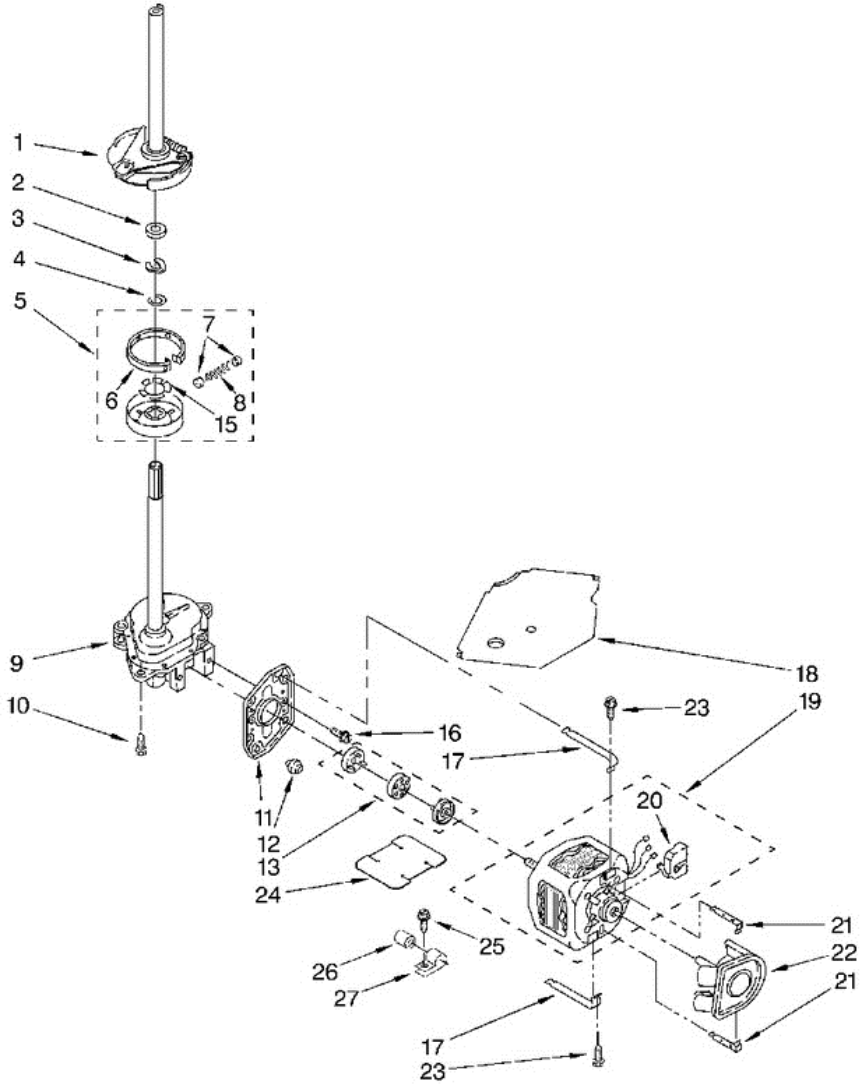




7LSR9245HZ0 TINAS

1	63580	DISPENSER
2	358237	SCREW & WASHER (5-16-24 X 1)
3	3363003	CLOTHES MOVER
4	3347288	AGITATOR
5	63851	TUB RING & GASKET
6	3359585	GASKET, TUB RING
7	3354845	CLIP, AGITATOR
8	3355921	WASHER, AGITATOR
9	3363663	CAM, DRIVEN
10	3366877	DOG, AGITATOR CLUTCH
11	3363661	BEARING, DRIVEN CAM
12	21366	NUT, SPANNER
13	3951989	BASKET & BALANCE RING
14	3952746	PLATE, FILTER
16	388893	TUB
17	389140	BLOCK, BASKET DRIVE
18	383727	GASKET, CENTERPOST
19	3347780	HOSE, PRESSURE SWITCH
20	3946501	AGITATOR, ASY (COMPLETE)
22	3350389	SPACER, THRUST
23	3354733	CAP, BARRIER
24	3348855	SEAL-INNER CAP
25	3948705	HOSE, BLEACH
26	3949550	WASHER

7LSR9245HZ0 MOTOR

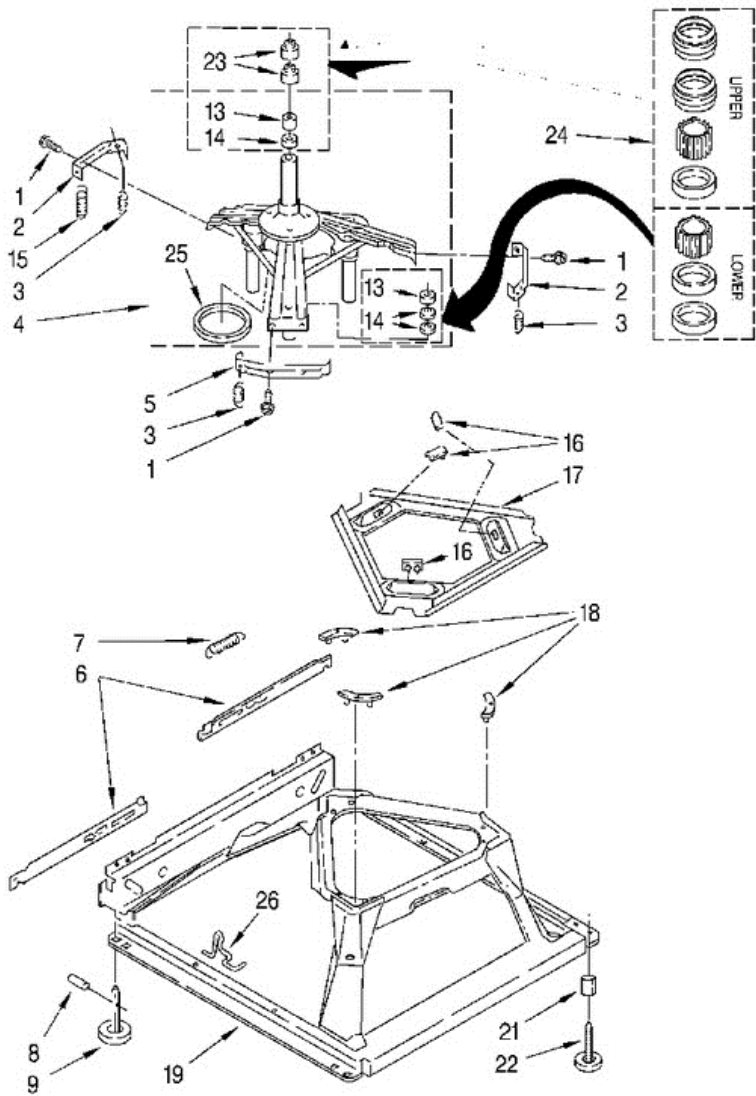




7LSR9245HZ0 MOTOR

1	388952	BRAKE & DRIVE TUBE (COMPLETE)
2	63292	WASHER, SPIN TUBE THRUST
3	62697	RING, SPIN TUBE SUPPORT
4	63283	RING, RETAINER
5	3951311	CLUTCH (COMPLETE)
6	3951308	BAND & LINING, CLUTCH (INCLUDES ILLUS. 7 & 8)
7	62646	CAP, CLUTCH SPRING (2)
8	3951303	SPRING, CLUTCH
9	3360630	GEARCASE (COMPLETE)
10	3357334	SCREW, GEARCASE TO BASE (3)
11	62611	PLATE, MOTOR MOUNT TO GEARCASE
12	62691	GROMMET, MOTOR (4)
13	3364003	COUPLING, MOTOR & ISOLATION
15	3355454	CLIP, ANTI-RATTLE
16	3357334	SCREW
17	3349637	RETAINER, MOTOR (2)
18	3362089	SHIELD, TUB TO MOTOR
19	3946897	MOTOR, MAIN DRIVE
20	62850	SWITCH, MAIN DRIVE MOTOR
21	62700	RETAINER, PUMP (2)
22	3363394	PUMP (COMPLETE)
23	3387485	SCREW, 10-16 X 5/8
24	3946532	SHIELD, MOTOR
25	62863	SCREW, 10-16 X 3/8
26	661606	CAPACITOR
27	357030	CLAMP, CAPACITOR

7LSR9245HZ0 BASE

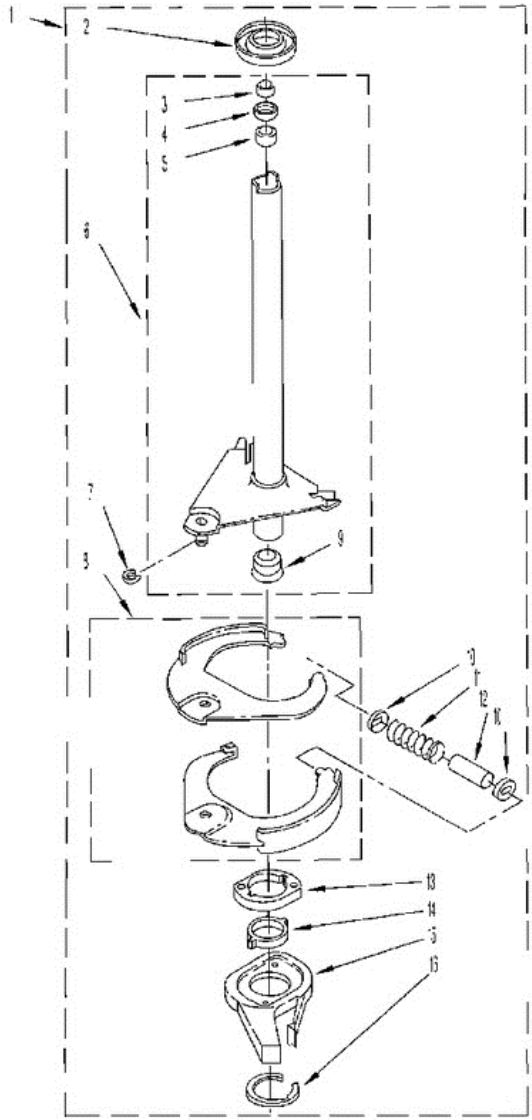




7LSR9245HZ0 BASE

1	3387485	SCREW, BRACKET MOUNTING (10-16 X 5/8)
2	64067	BRACKET, SPRING OUTER (2)
3	63907	SPRING, SUSPENSION (3)
4	3362087	SUPPORT & BRAKE, TUB
5	64065	BRACKET, SPRING OUTER (L.F.)
6	63466	LINK, LEVELING MECHANISM (2)
7	62597	SPRING, LEVELING MECHANISM
8	62837	PIN, KNURLED
9	62596	FOOT, REAR (2)
13	3347047	BEARING, CENTERPOST (2)
14	357409	SEAL, CENTERPOST (3)
15	388492	SPRING, COUNTERWEIGHT
16	62568	PAD, PLATE
17	3946509	PLATE, SUSPENSION (INCLUDES ILLUS. 16)
18	3363660	PAD, BASE
19	3946512	BASE ASSEMBLY (INCLUDES 6, 7, 8, 9, 16, 17, 18, & 26.)
21	3359452	NUT, LOCK (3/8-16)
22	389102	FOOT, FRONT (2)
23	356934	SEAL, CENTERPOST (2)
24	285203	CENTERPOST BEARING KIT (INCLUDES 13, 14 & 23)
25	63134	RING, SOUND DEADENING
26	63806	RETAINER, SUSPENSION SPRING

7LSR9245HZ0 FLECHA HUECA

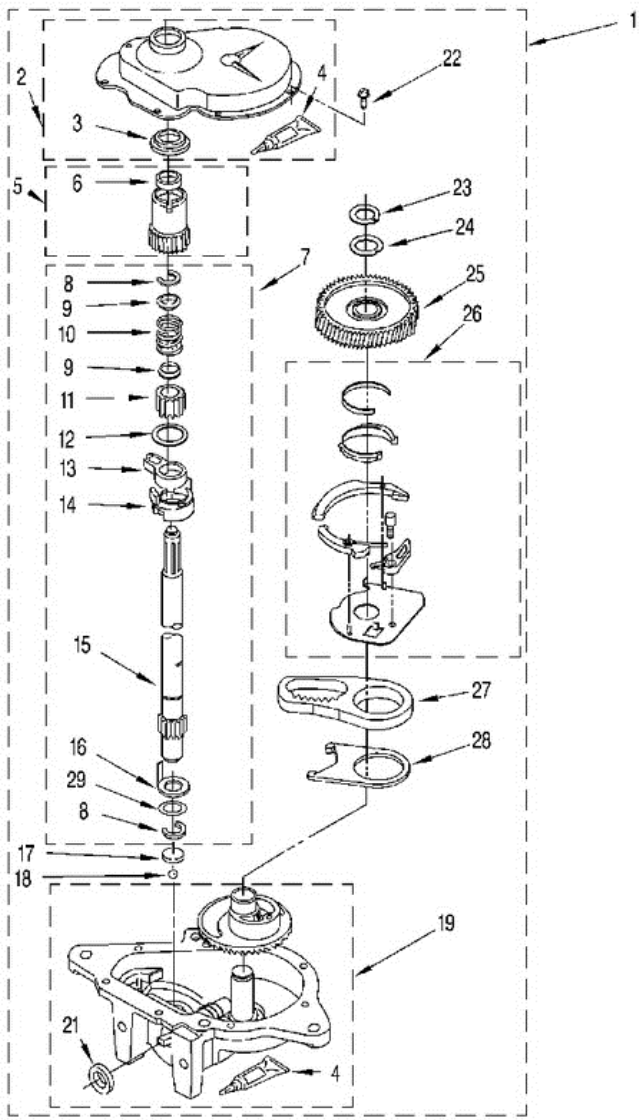




7LSR9245HZ0 FLECHA HUECA

1	388952	BRAKE AND DRIVE TUBE (COMPLETE)
2	62658	RING, THRUST
3	91939	SEAL. OIL
4	356427	SEAL, DRIVE TUBE
5	356937	SPACER, DRIVE TUBE
6	64027	TUBE, BASKET DRIVE (INCLUDES ILLUS. 3, 4, 5 & 9)
7	64035	RING, RETAINING
8	64232	SHOE, BRAKE
9	62703	``T`` BEARING, SPIN TUBE
10	62648	CAP, BRAKE SPRING (2)
11	387806	SPRING, BRAKE
12	62909	SLEEVE, BRAKE SPRING
13	63023	CAM, BRAKE RELEASE
14	63022	SLEEVE, CAM
15	64194	DRIVER, BRAKE CAM
16	285208	LUBRICANT
16	90368	RING, RETAINING

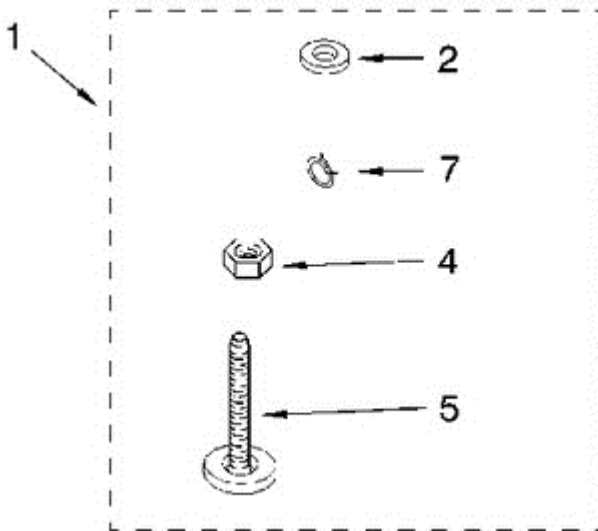
7LSR9245HZ0 TRANSMISION





7LSR9245HZ0 TRANSMISION

1	3360630	GEARCASE (COMPLETE)
2	285202	COVER, GEARCASE
3	3349985	SEAL, GEARCASE COVER
4	285195	SEALER, GASKET (.20 FL. OZ.) (6 ML)
5	63320	PINION, SPIN (INCLUDES ITEM 25)
6	356427	SEAL, SPIN PINION
7	389387	SHAFT, AGITSTOR (COMPLETE)
8	90369	RING, RETAINING (2)
9	62677	RETAINER, SPRING
10	62676	SPRING, AGITATOR
11	63273	GEAR, AGITATE (INCLUDES 15 AND 29)
12	62619	WASHER, AGITATOR GEAR
13	62580	CAM FOLLOWER (INCLUDES 14)
14	62581	CAM, AGITATE (INCLUDES 13)
15	285509	SHAFT, AGITATOR (INCLUDES 11 & 29)
16	62618	WASHER, CAM THRUST
17	16018	BEARING, THRUST
18	85529	BALL, BEARING
19	389230	BOTTOM AND PINION, GEARCASE
21	285352	SEAL, THRUST PLUG
22	3351614	SCREW, GEARCASE COVER MOUNTING (8)
23	3362552	RING, RETAINING
24	285735	WASHER KIT, THRUST
25	62570	GEAR, SPIN
26	388253	NEUTRAL ASSEMBLY
27	3349296	RACK, CONNECTING
28	62621	ACTUATOR, SHIFT
29	388815	WASHER, INTERMEDIATE





7LSR9245HZ0 PATA

1	3976252	MISCELLANEOUS PARTS BAG
2	3976300	WASHER, INLET HOSE (1-1/16 X 5/8) (4)
4	3359452	NUT, LOCK (3/8-16)
5	389102	FOOT, FRONT (2)
7	3366912	CLAMP, HOSE