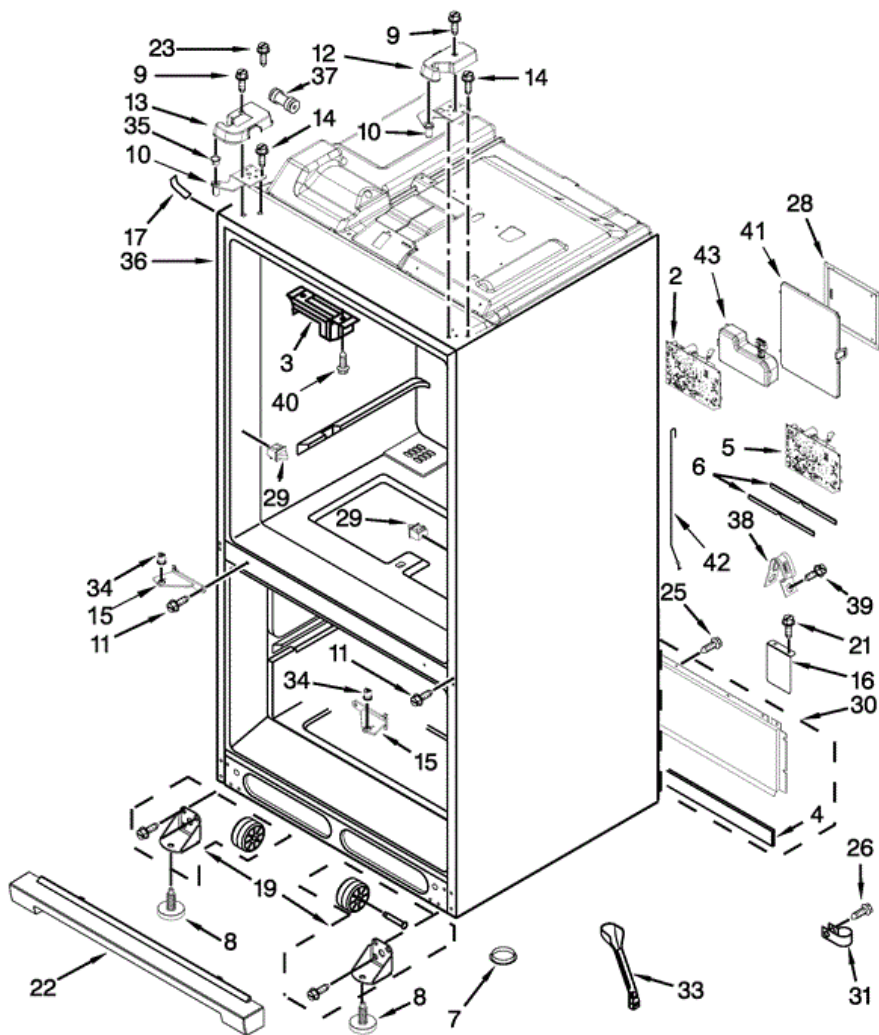


Distribuidor Autorizado

SurteRápido.com

Venta de Refacciones
Electrodomesticas

7MF2976AEM00 CABINET



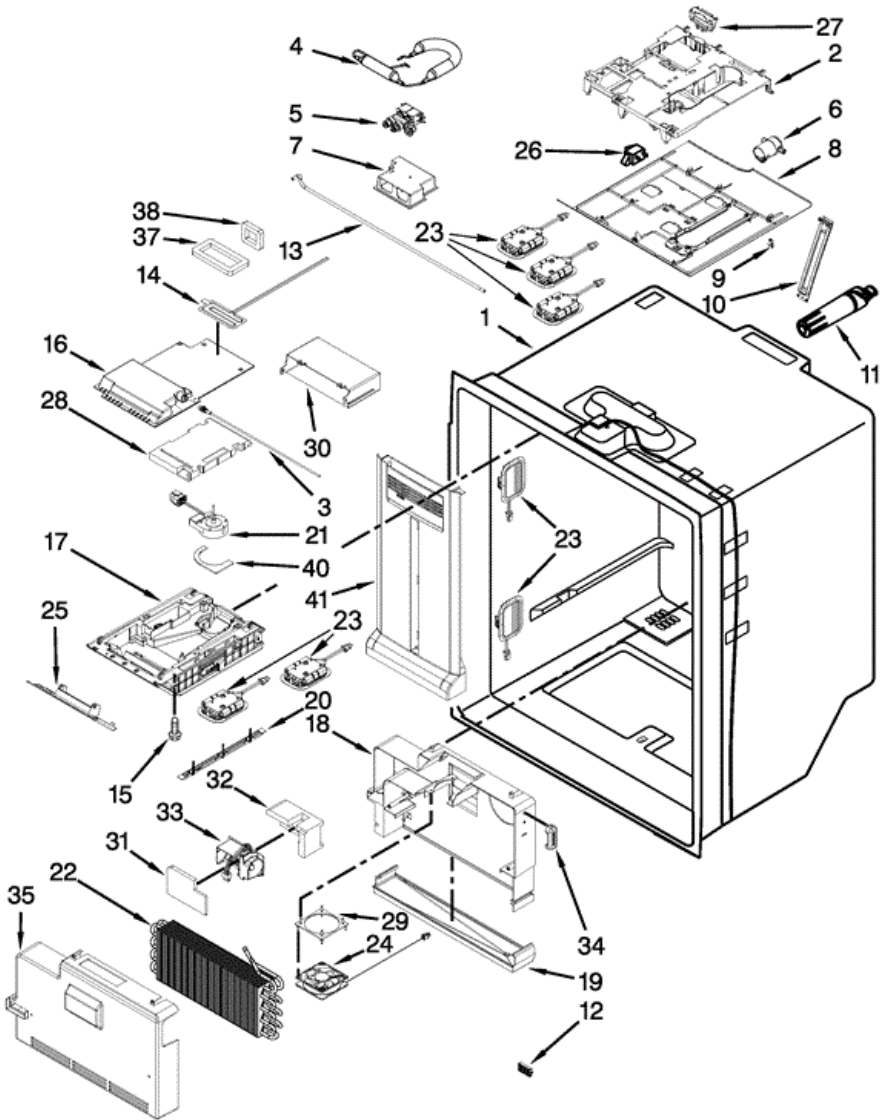


7MF2976AEM00 CABINET

2	W10453401	SUPPLY, POWER
3	W10344432	BLOCK, PIVOT
4	W10505487	GASKET
5	W10581606	BOARD, CONTROL
6	W10415341	GASKET, HV BOX
7	A3076901	PLUG, BUTTON (BLACK)
8	W10141622	BRAKE, ROLLER
9	12992602	SCREW
10	W10248409	HINGE, TOP (RIGHT HAND)
10	W10248410	HINGE, TOP (LEFT HAND)
11	W10403212	SCREW (GREY)
12	W10407158	COVER, RIGHT HINGE (GREY)
13	W10471618	COVER, LEFT HINGE (GREY)
14	W10308751	SCREW (BLACK)
15	W10248703	HINGE, CENTER RIGHT HAND (GREY)
15	W10248706	HINGE, CENTER LEFT HAND (GREY)
16	W10336736	COVER, ROLLER
17	12587703AP	COVER, CORNER (GREY)
19	W10515762	ASSEMBLY, ROLLER (RIGHT HAND)
19	W10515763	ASSEMBLY, ROLLER (LEFT HAND)
21	12990701	SCREW
22	W10637671	GRILLE, TOE (GREY)
23	12992601	SCREW
25	W10141645	SCREW
26	12990511	SCREW
28	W10485658	COVER, CONTROL BOX
29	12466105	SWITCH, LIGHT
30	W10577369	COVER, UNIT
31	M0108107	CLAMP-TUBE
33	W10491298	TUBE-DRAIN
34	W10505294	COUPLER, DOOR
35	W10212137	CABINET (NOT A SERVICABLE PART)
36	N/P	RETAINER, DOOR

37	W10271541	CONNECTOR, UNION
38	489348	CLAMP, TUBE
39	W10141645	SCREW
40	12990302	SCREW
41	W10277839	LID, HV
42	W10558243	TUBE, WATER
43	W10421948	SUPPLY, POWER LED

**7MF2976AEM00 REFRIGERATOR
LINER**



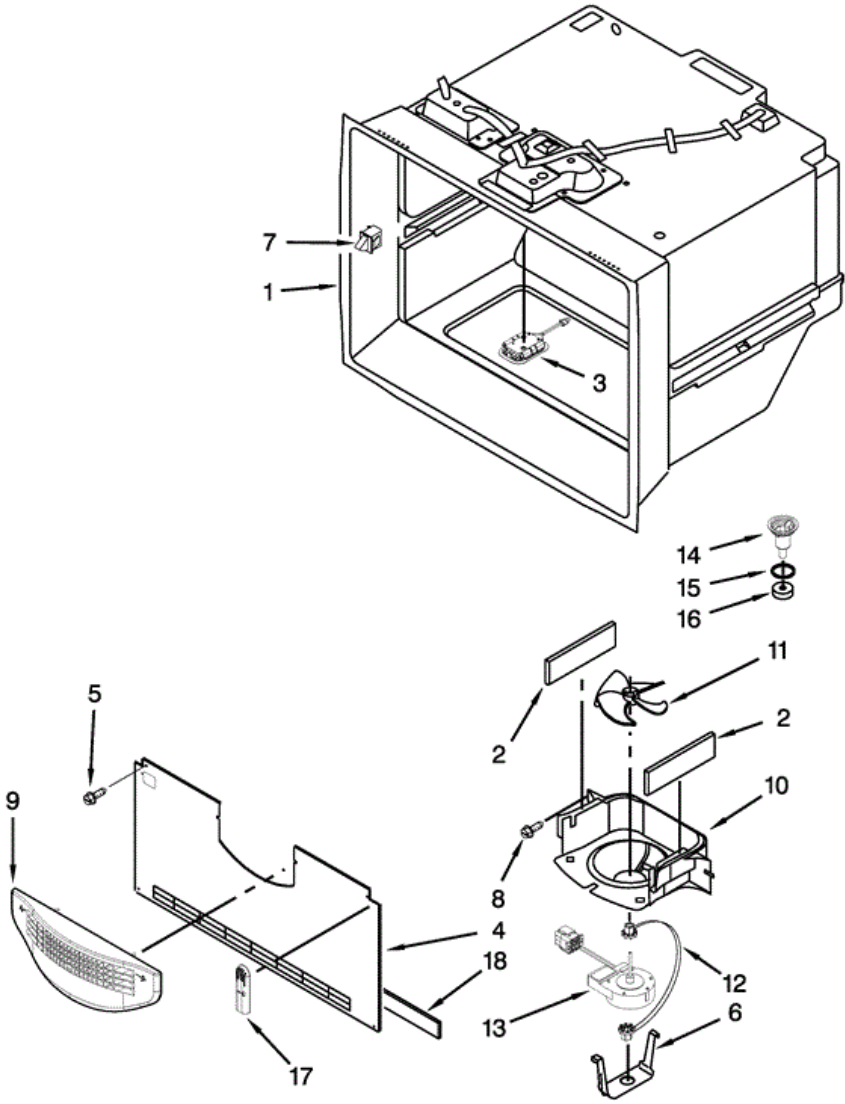


7MF2976AEM00 REFRIGERATOR LINER

1	N/P	LINER (NOT A SERVICEABLE PART)
2	W10657942	HOUSING, WATER SYSTEM
3	W10482107	TUBE, FILL
4	W10394084	RESERVOIR, WATER (WIRE TIE PART 8567668 QTY.5)
5	W10341329	VALVE, DUAL WATER
6	W10238156	HOUSING, WATER FILTER
7	W10279854	ENCLOSURE, VALVE
8	W10488685	COVER, WATER
9	2223877	LATCH, PUSH
10	W10277949	DOOR, FILTER ACCESS
11	W10609378	FILTER, WATER
12	W10315189	FILTER, AIR
13	W10515793	WATERLINE, VALVE TO HINGE
14	W10554299	HEATER, FILL TUBE
15	12990518	SCREW
16	W10598013	COVER, ICEBOX
17	W10492817	ASSEMBLY, ICEBOX (FOAMED)
18	W10469927	ENCLOSURE, EVAPORATOR
19	W10537710	PAN, DRAIN
20	W10505516	TRIM, ICEBOX
21	W10460280	ASSEMBLY, BLOWER
22	N/P	EVAPORATOR ASSEMBLY
23	W10637153	ASSEMBLY, LED LIGHT MODULE
24	W10395278	MOTOR, FAN (FAN SUPPORT NO.W10389152)
25	W10553630	ASSEMBLY, FASCIA
26	C3680310V	SWITCH, LIGHT
27	W10434481	BRACKET, RESERVOIR
28	W10280983	INSULATION
29	W10389152	SUPPORT, FAN
30	W10635022	ADAPTER, ICEBOX
31	W10389154	RETAINER, DAMPER
32	W10389149	SUPPORT, DAMPER
33	W10248595	DAMPER, ELECTRONIC CONTROL

34	W10438957	COVER, THERMISTOR
35	W10501260	COVER, EVAPORATOR
37	W10280988	GASKET, REAR SUPPLY
38	W10320706	GASKET, REAR RETURN
40	W10392172	GASKET, FAN
41	W10518047	ASSEMBLY, AIR TOWER
NI	N/P	FOLLOWING PARTS NOT ILLUSTRATED,
NI	W10277799	HARNESS, EVAPORATOR WIRE
NI	W10277801	HARNESS, REFRIGERATOR LIGHTS
NI	W10570599	HARNESS, DUAL VALVE
NI	W10578603	HARNESS, REFRIGERATOR LIGHTS

7MF2976AEM00 FREEZER LINER

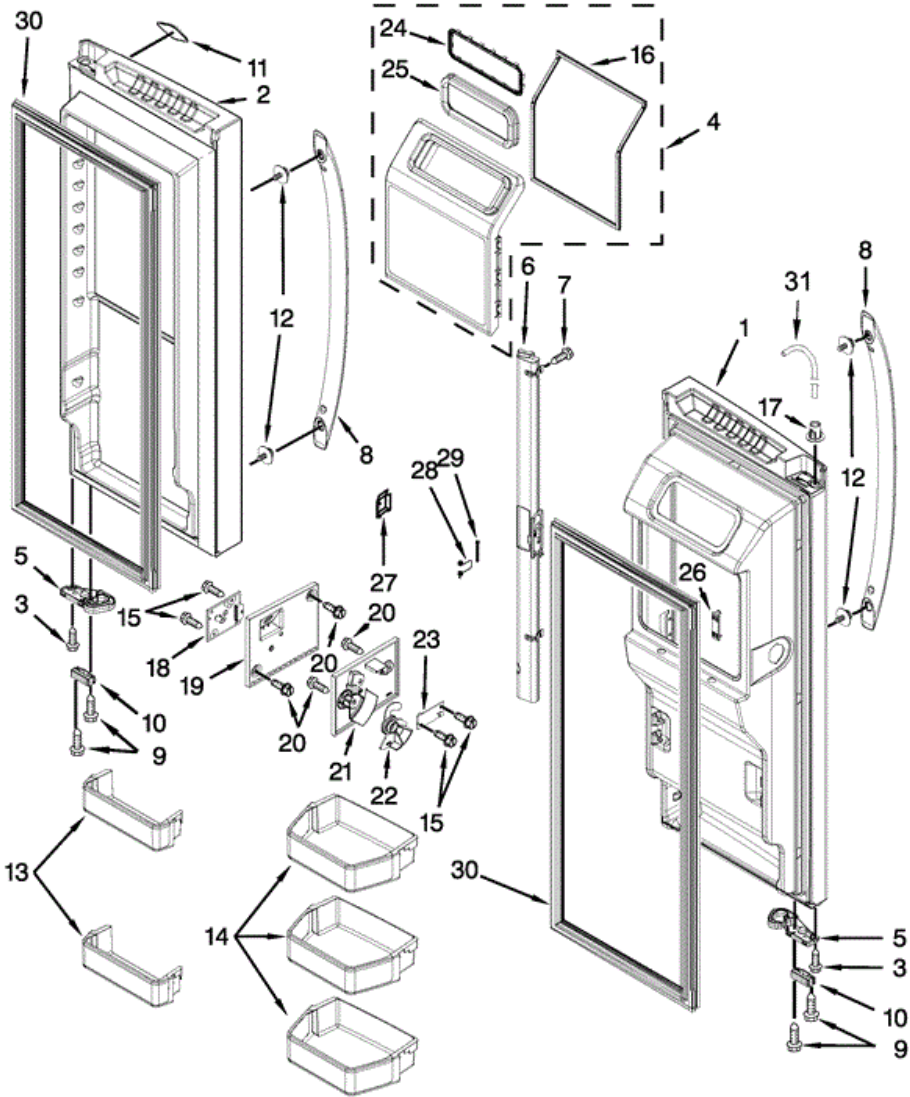




7MF2976AEM00 FREEZER LINER

1	N/P	LINER (NOT A SEVICEABLE PART)
2	A3189392	GASKET, FOAM
3	W10637153	ASSEMBLY, LED LIGHT MODULE
4	W10513424	COVER, EVAPORATOR
5	12990511	SCREW
6	12956601	CLIP, FAN MOTOR
7	C3680310V	SWITCH, LIGHT
8	12990504	SCREW
9	W10496613	GRILLE, AIR (FREEZER)
10	W10363507	SHROUD, EVAPORATOR FAN
11	12986101	BLADE, FAN
12	12951101	GROMMET, FAN MOTOR
13	W10514110	MOTOR, EVAPORATOR (HARNESS, THERMISTOR, AND DEFROST THERMOSTAT)
14	W10503218	FUNNEL, DRAIN
15	M0500703	SEAL
16	B8381501	GASKET, DRAIN
17	W10405166	COVER, THERMISTOR
18	W10531268	GASKET, DUAL EVAPORATOR

**7MF2976AEM00 REFRIGERATOR
 DOOR**

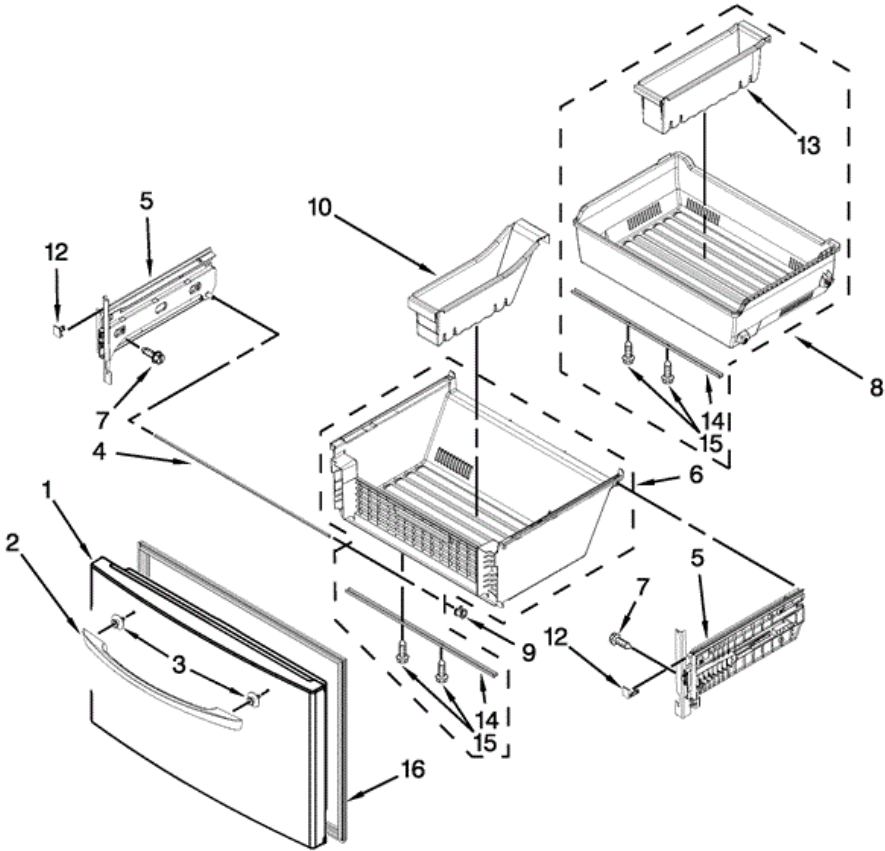




7MF2976AEM00 REFRIGERATOR DOOR

1	W10417773	DOOR, LEFT (STAINLESS)
2	W10341284	DOOR, RIGHT (STAINLESS)
3	W10464016	SCREW
4	W10549591	ASSEMBLY, ICE DOOR
5	W10355634	LATCH, DOOR (LEFT HAND)
5	W10372267	LATCH, DOOR (RIGHT HAND)
6	W10654762	MULLION, DOOR (GREY)
7	12990204	SCREW
8	W10439227	HANDLE, DOOR (STAINLESS)
9	12990504	SCREW
10	W10407188	BUMPER, DOOR (GREY)
11	W10170766	BADGE
12	W10460893	SCREW
13	W10555427	TRIVET, 2 LITER
14	W10519670	BUCKET, GALLON
15	489214	SCREW
16	W10347085	GASKET, ICE DOOR
17	W10245516	CLIP, TUBE
18	W10518658	BOARD, RECEIVER CIRCUIT
19	W10258510	COVER, RECEIVER
20	3400065	SCREW (STAINLESS)
21	W10258502	COVER, EMITTER
22	W10258540	SLIDE, ICEMAKER SHUT OFF
23	W10518659	BOARD, EMITTER CIRCUIT
24	W10400825	RETAINER, ICE CHUTE
25	W10347087	GASKET, ICE CHUTE
26	W10646855	VENT, THERMISTOR
27	W10258520	DOOR, EMITTER
28	2198635	SPRING, DOOR
29	2198634	PIN, DOOR
30	W10407146	GASKET, DOOR (GREY)
31	W10515777	TUBE-WATER

7MF2976AEM00 FREEZER DOOR





7MF2976AEM00 FREEZER DOOR

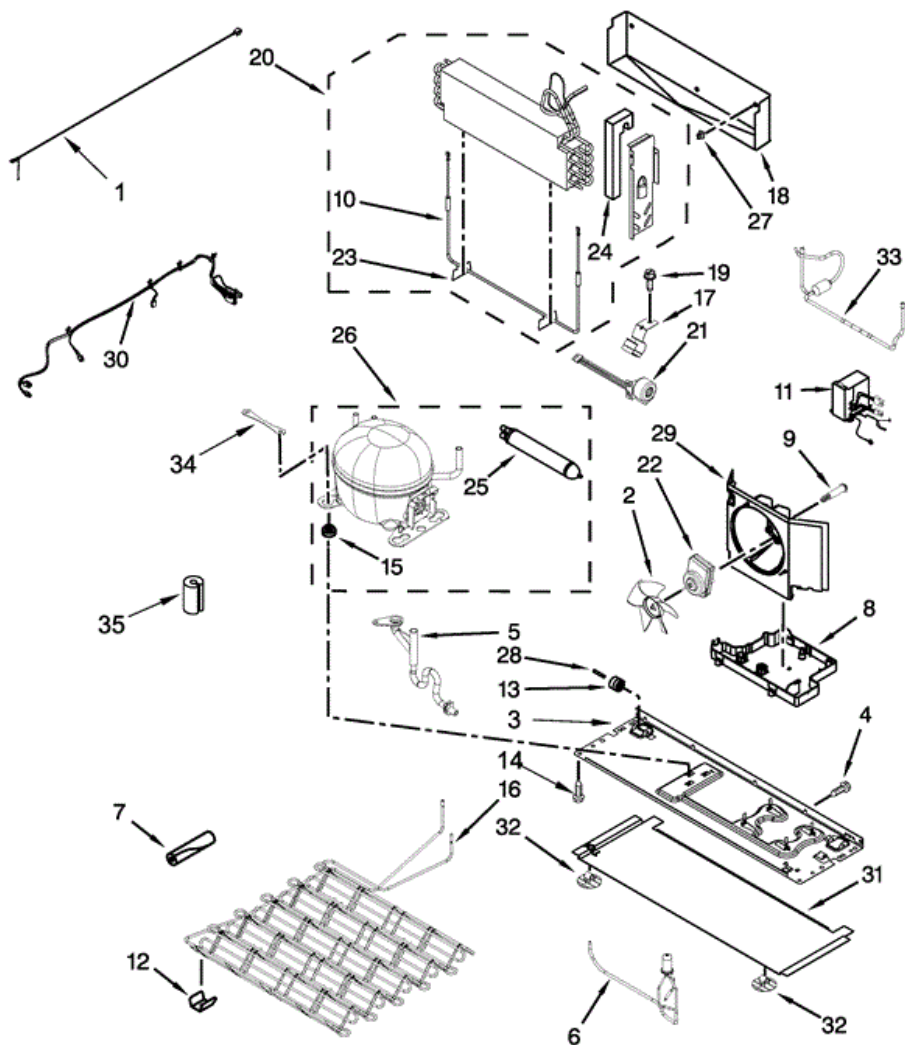
1	W10341279	DOOR, FREEZER (STAINLESS)
1	W10507444	DIVIDER, LOWER
2	W10439226	HANDLE, DOOR (STAINLESS)
3	W10460893	SCREW
4	W10503522	SHAFT
5	W10625067	ASSEMBLY, BRACKET (LEFT HAND)
5	W10625068	ASSEMBLY, BRACKET (RIGHT HAND)
6	W10594047	BIN, LOWER
7	12990518	SCREW
8	W10491768	BIN, UPPER
9	W10248509	CLIP, SHAFT
12	W10485089	STOP, PAN (RIGHT HAND)
12	W10485096	STOP, PAN (LEFT HAND)
13	W10485654	DIVIDER, UPPER
14	W10469177	SUPPORT, PAN
15	489443	SCREW (STAINLESS)
16	W10248749	GASKET, DOOR (GREY)

Distribuidor Autorizado

SurteRápido.com

Venta de Refacciones
Electrodomesticas

7MF2976AEM00 UNIT



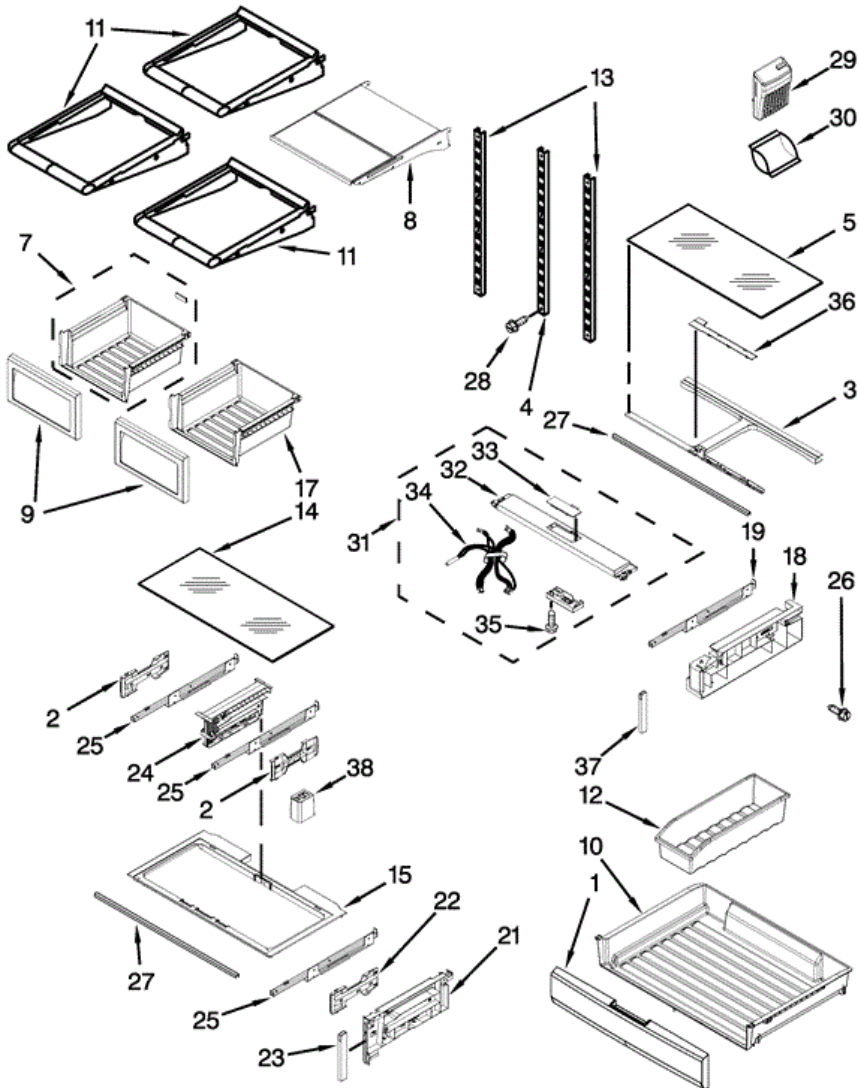


7MF2976AEM00 UNIT

1	W10367947	CORD, POWER
2	12825802	BLADE, FAN
3	W10570074	BASEPLATE
4	12990511	SCREW
5	W10547687	EXTENSION, DRAIN
6	W10391081	ASSEMBLY, VALVE BODY
7	W10303521	SLEEVE
8	W10238584	TRAY, EVAPORATOR
9	W10622701	SCREW
10	12729128	HEATER, DEFROST
11	W10465778	BOX, INVERTER
12	W10248621	CLIP, CONDENSER
13	12477102	ROLLER
14	12992101	SCREW
15	10835903	GROMMET
16	W10627646	ASSEMBLY, CONDENSER
17	W10391376	BRACKET, VALVE
18	W10342573	TRAY-DRIP
19	W10141625	SCREW
20	W10608485	EVAPORATOR
21	W10364560	COIL, 3 WAY VALVE
22	2188874	MOTOR, CONDENSER
23	10428101	CLIP, HEATER
24	W10491355	GASKET, AIRDAM
25	W10286069	DRIER
26	W10168473	COMPRESSOR
27	W10142294	SCREW
28	12477202	AXLE, ROLLER
29	W10406719	SHROUD
30	W10442270	HARNESS, UNIT
31	W10278140	COVER, BOTTOM UNIT
32	W10296661	CLIP, BOTTOM COVER
33	W10626970	ASSEMBLY, SUCTION TUBE

34	W10236396	STRAP, COMPRESSOR
35	W10413009	GROMMET, AIR RETURN
NI	876764	VALVE, ACCESS
NI	978025	VALVE, ACCESS
NI	978026	VALVE, ACCESS
NI	978027	VALVE, ACCESS
NI	978028	VALVE, ACCESS
NI	978029	VALVE, ACCESS
NI	978030	VALVE, ACCESS
NI	N/P	FOLLOWING PARTS NOT ILLUSTRATED,
NI	N/P	REFRIGERANT CHARGE (5.50 OZ. (R-134A))

7MF2976AEM00 SHELF



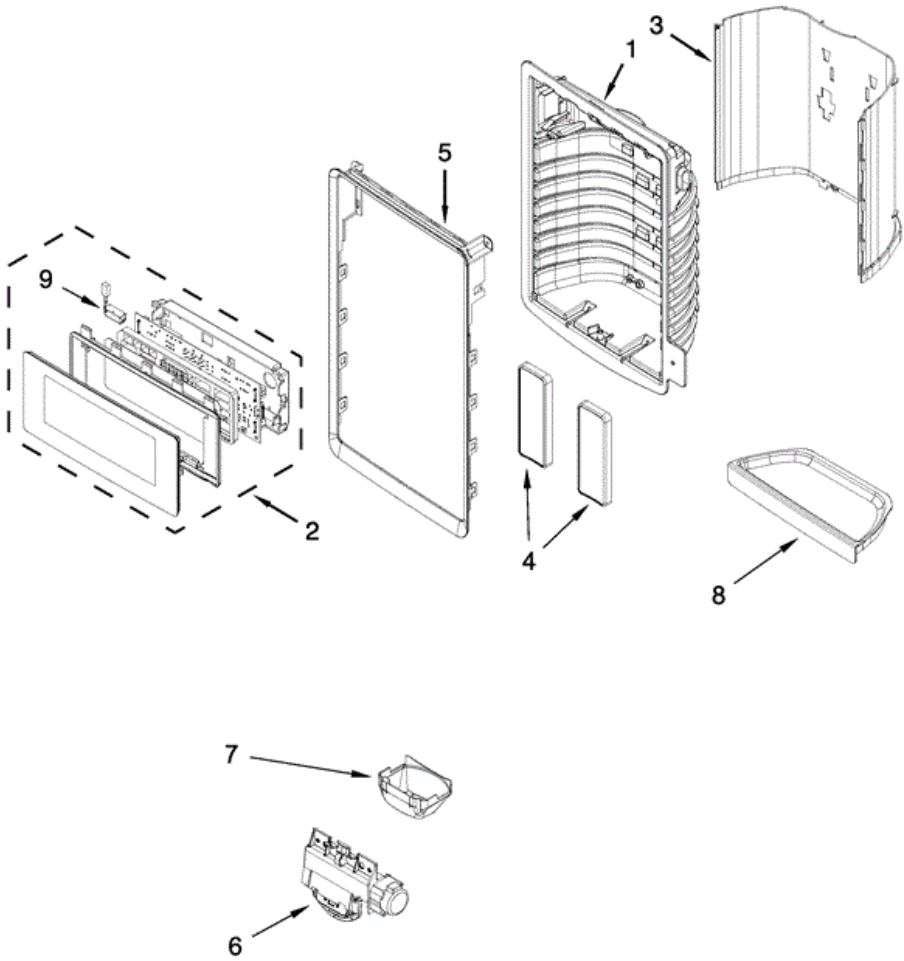


7MF2976AEM00 SHELF

1	W10559660	FRONT, PANTRY
2	W10530317	PLATE, SLIDE CENTER
3	W10489978	SUPPORT, PANTRY
4	W10248516	LADDER, CENTER
5	W10248799	GLASS, PANTRY
7	W10422682	PAN, CRISPER
8	W10401836	SHELF, TUCK
9	W10524914	FRONT, CRISPER
10	W10514690	PAN, PANTRY
11	W10402687	SHELF, FIXED
12	W10467369	DIVIDER, PANTRY
13	W10372170	LADDER, SIDE
14	W10248578	GLASS, CRISPER
15	W10316419	COVER, CRISPER
17	W10410352	PAN, CRISPER
18	W10248834	PLATE, SIDE PANTRY (LEFT HAND)
18	W10317523	PLATE, SIDE PANTRY (RIGHT HAND)
19	W10248531	SLIDE, PANTRY (LEFT HAND)
19	W10248532	SLIDE, PANTRY (RIGHT HAND)
21	W10530306	PLATE, CRISPER (RIGHT HAND)
21	W10530318	PLATE, CRISPER (LEFT HAND)
22	W10530316	PLATE, SIDE
23	W10488299	FRONT, SIDEPLATE (CRISPER)
24	W10530307	TRACK, CENTER
25	W10248819	SLIDE, CRISPER
26	12990518	SCREW
27	W10236512	SUPPORT, FRONT
28	W10423560	SCREW
29	W10408747	HOLDER, FILTER
30	W10346771	FILTER, PRODUCE PRESERVER
32	W10525199	COVER, TOP
33	W10565997	ASSEMBLY, USER INTERFACE
34	W10442183	ASSEMBLY, PANTRY WIRE (INCLUDES THERMISTOR)

35	12990204	SCREW
36	W10490266	SUPPORT, PANTRY COVER
37	W10356979	FRONT, SIDEPLATE (PANTRY) (RIGHT HAND)
37	W10426775	FRONT, SIDEPLATE (PANTRY) (LEFT HAND)
38	W10530315	SUPPORT, CRISPER

7MF2976AEM00 DISPENSER FRONT

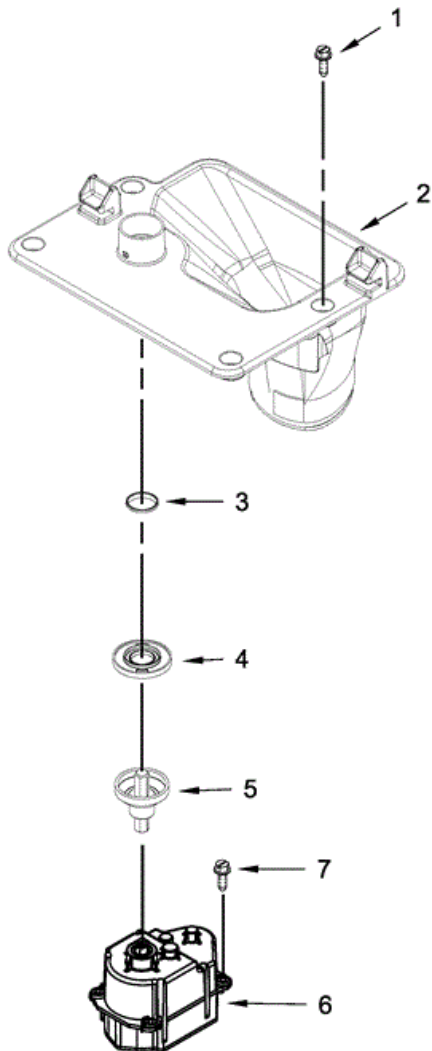
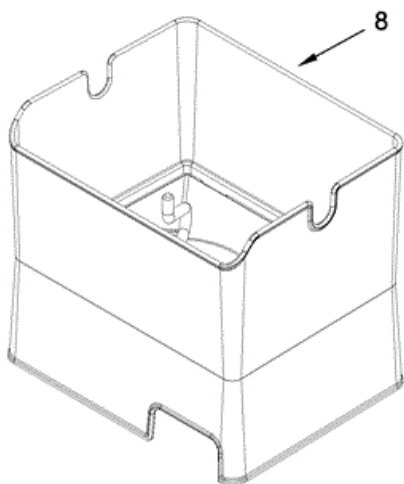




7MF2976AEM00 DISPENSER FRONT

1	N/P	HOUSING, DISPENSER (NOT SERVICED)
2	W10549067	ASSEMBLY, USER INTERFACE (STAINLESS)
3	W10520869	WALL, DISPENSER FALSE (GREY)
4	W10436678	ASSEMBLY, PAD (STAINLESS)
5	W10587910	RING, TRIM (STAINLESS)
6	W10577864	ASSEMBLY, SEPERATOR
7	W10435760	GUIDE, ICE
8	W10410105	TRAY, DRIP (GREY)
9	W10470750	LED ASSEMBLY

**7MF2976AEM00 MOTOR AND ICE
CONTAINER**

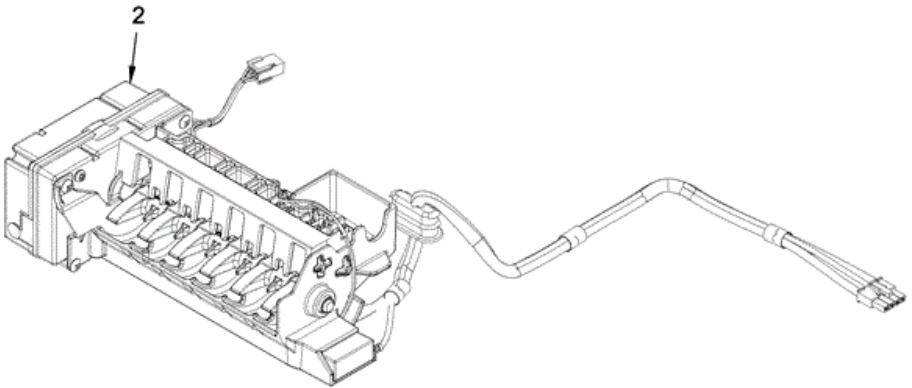
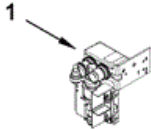




7MF2976AEM00 MOTOR AND ICE CONTAINER

1	W10272364	SCREW
2	W10347051	PLATE, ICE CHUTE
3	2198628	SEAL
4	W10347120	CLIP, RETAINER
5	W10347114	SHAFT, MOTOR
6	W10215646	MOTOR, DISPENSER
7	8281163	SCREW (STAINLESS)
8	W10347093	ASSEMBLY, ICE CONTAINER

7MF2976AEM00 ICE MAKER



1	W10394076	VALVE, WATER
2	W10498261	ASSEMBLY, ICEMAKER