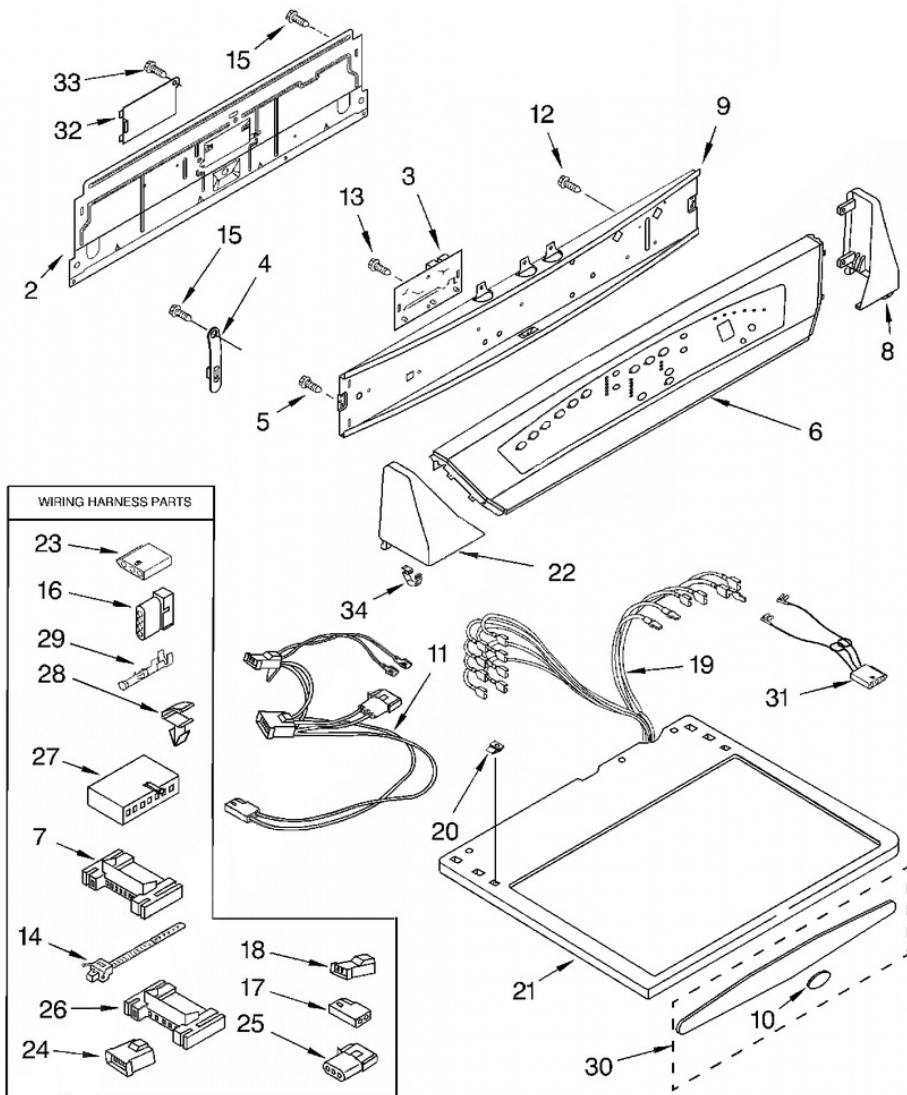


Distribuidor Autorizado

SurteRápido.com

Venta de Refacciones
Electrodomesticas

7MGGW9868KL1 TABLERO





7MGGW9868KL1 TABLERO

2	285906	PANEL, REAR CONSOLE (S/P)
3	8566150	CONTROL BOARD
4	8568314	CONSOLE STRAP (S/P)
5	304231	SCREW, 8-16 X 1/2 (S/P)
6	8533430	PANEL, CONSOLE (PEARL) (S/P)
6	8533438	PANEL, CONSOLE (PEWTER) (S/P)
7	3395683	CONNECTOR (MOTOR) (S/P)
8	8299688	CAP, END (R.H.) (PEWTER) (S/P)
8	8299686	CAP, END (R.H.) (WHITE) (S/P)
9	8299690	BRACKET, CONTROL (S/P)
10	8316751	MEDALLION (S/P)
11	3401850	HARNESS, GAS (S/P)
12	3400073	SCREW, 10-24 X 5/16 (S/P)
13	3400826	SCREW, 8-18 X 3/4 (S/P)
14	3391018	TIE, CABLE (PUSH-MOUNT) (S/P)
15	693995	SCREW, 8-18 X 3/8 DESCONTINUADO
16	353424	CONNECTOR (S/P)
17	717252	RECEPTACLE, 2-WAY (S/P)
18	3403499	CONNECTOR, 2-POSITION (GAS VALVE) (S/P)
19	8299949	HARNESS, WIRING (S/P)
20	357213	NUT, PUSH-IN (2) (S/P)
21	3979256	TOP (WHITE) (S/P)
21	3979257	TOP (PEWTER) (S/P)
22	8299683	CAP, END (L.H.) (WHITE) (S/P)
22	8299685	CAP, END (L.H.) (PEWTER) (S/P)
23	3936144	CONNECTOR (S/P)
24	3403498	CONNECTOR, 3-POSITION (GAS VALVE) (S/P)
25	697779	PLUG, 3-WAY (S/P)
26	2203186	CONNECTOR (S/P)
27	3936150	CONNECTOR, 7-CIRCUIT (S/P)
28	3394427	CLIP, HARNESS (S/P)
29	94614	TERMINAL (S/P)
30	8521944	MEDALLION ASSEMBLY (PEWTER) (S/P)

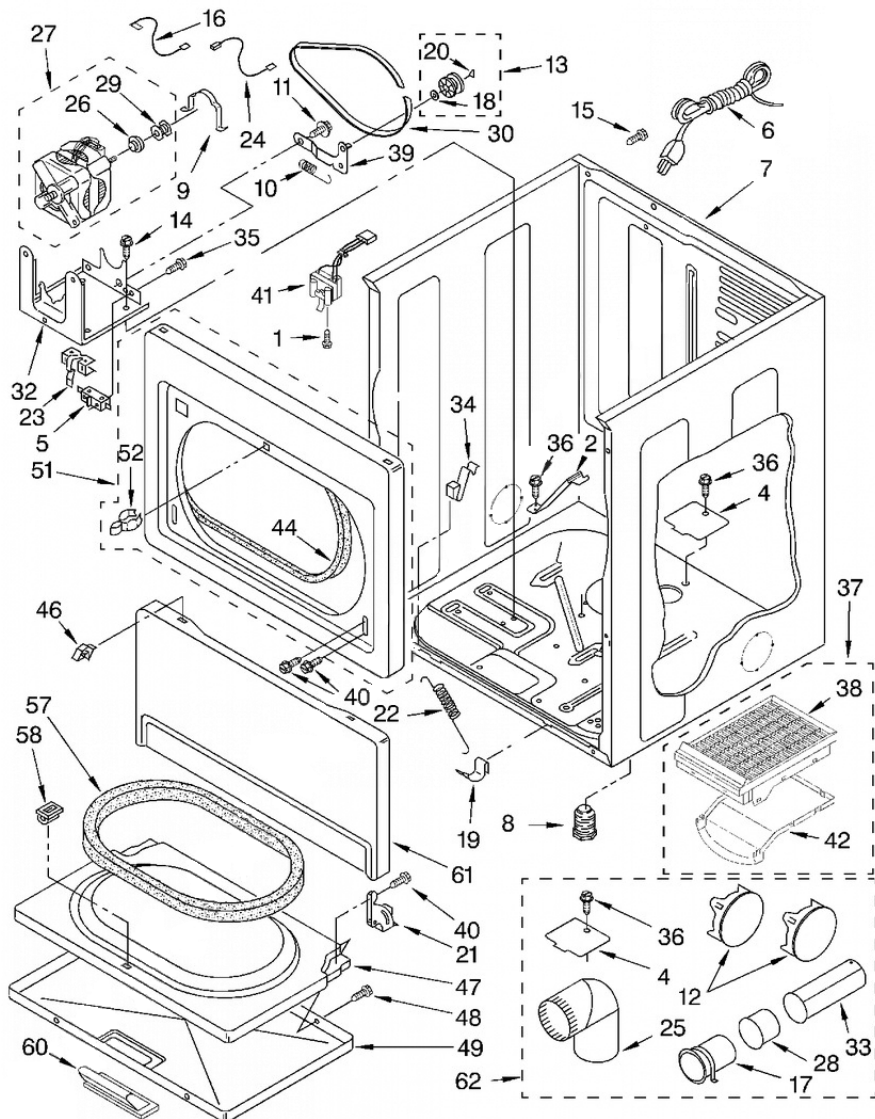
30	8521943	MEDALLION ASSEMBLY (SAGE) (S/P)
31	3406653	HARNESS, SENSOR (S/P)
32	8317340	COVER, TERMINAL BLOCK (S/P)
33	3390814	SCREW, 8-18 X 3/8 (S/P)
34	8312709	CLIP, CONSOLE

Distribuidor Autorizado

SurteRápido.com

Venta de Refacciones
Electrodomesticas

7MGGW9868KL1 GABINETE





7MGGW9868KL1 GABINETE

1	697773	SCREW, 6-20 X 7/8 (S/P)
2	8529757	BRACKET, BURNER (S/P)
4	3394331	PLATE, COVER (S/P)
5	279782	SWITCH, BROKEN BELT (S/P)
6	3401402	CORD, POWER
7	3979259	CABINET (PEWTER) (S/P)
7	8527930	CABINET (WHITE) (S/P)
8	279810	FOOT - OPTIONAL (S/P)
8	3392100	FOOT, DRYER
9	343481	CLAMP, MOTOR (2) (S/P)
10	3387374	SPRING, IDLER (S/P)
11	3389420	RETAINER, IDLER (S/P)
12	49252	PLUG, MULTIVENT (WHITE) (S/P)
12	3979261	PLUG, MULTIVENT (PEWTER) (S/P)
13	279640	PULLEY ASSEMBLY
14	3390663	SCREW, 10-16 X 1/2 (S/P)
15	697776	SCREW, GROUND (S/P)
16	3398948	WIRE, JUMPER (BROKEN BELT SWITCH) (S/P)
17	3395532	EXHAUST PIPE & BRACKET (S/P)
18	233520	WASHER, THRUST (S/P)
19	297092	CLIP (2)
20	690997	TRI RING (S/P)
21	3387560	HINGE, DOOR (R.H.) (S/P)
21	3387559	HINGE, DOOR (L.H.) (S/P)
22	3387565	SPRING, DOOR (2) (S/P)
23	8066120	LEVER, SNAP SWITCH (S/P)
24	3394081	WIRE, BELT SWITCH (S/P)
25	49026	4" - 90 ELBOW (S/P)
26	3393657	RESTRAINER, BELT (S/P)
27	279787	MOTOR, ASSEMBLY 60 HZ.
28	3395534	EXHAUST PIPE (SHORT) (S/P)
29	3389729	PULLEY 60 HZ. (S/P)
30	661570	BELT, DRIVE

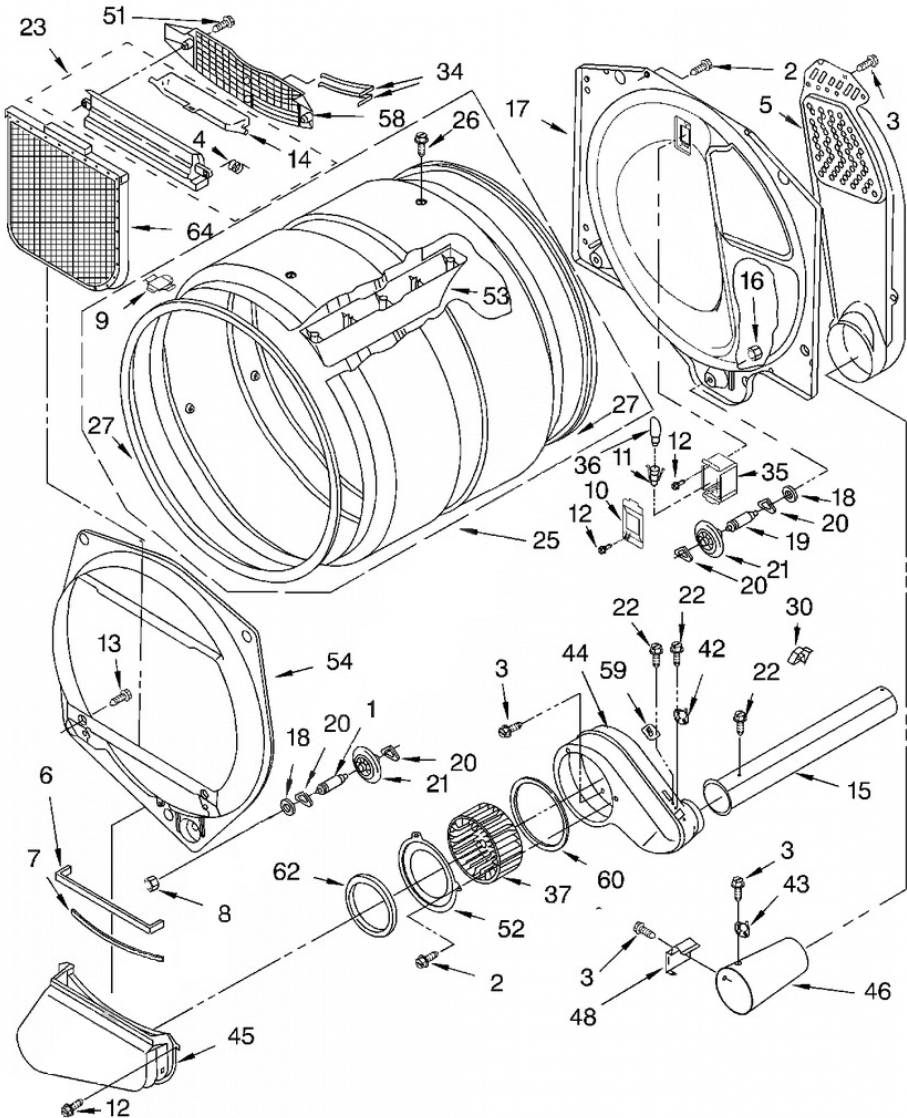
32	3387118	BRACKET, MOTOR (S/P)
33	8563749	EXHAUST PIPE (LONG) (S/P)
34	3388600	CLIP, LINT DUCT (S/P)
35	98129	SCREW, 6-20 X 1 3/8 (S/P)
36	693995	SCREW, 8-18 X 3/8 DESCONTINUADO
37	8212450A	DRY RACK ASSEMBLY (S/P)
38	8212450A	DRY RACK (TOP) (S/P)
39	3388674	IDLER BRACKET (S/P)
40	3357011	SCREW, 10-16 X 1/2 (S/P)
41	3406107	DOOR SWITCH ASSEMBLY
42	8212450A	DRY RACK (BOTTOM) (S/P)
44	3387242	SEAL, FRONT PANEL
46	3388229	RETAINER
47	285770	DOOR, REAR
48	694091	SCREW, 8-18 X 3/8 (S/P)
49	8521938	DOOR, FRONT (WHITE) (S/P)
49	8521936	DOOR, FRONT (PEWTER) (S/P)
51	279972	UPPER FRONT PANEL (PEWTER) (S/P)
51	279659	UPPER FRONT PANEL (WHITE) (S/P)
52	279570	STRIKE, DOOR
57	3390732	SEAL, DOOR (S/P)
58	279570	CATCH, DOOR ASSEMBLY
60	8521932	HANDLE, DOOR (PEWTER) (S/P)
60	8521931	HANDLE, DOOR (SAGE) (S/P)
61	3406797	TOE, PANEL (WHITE) (S/P)
61	3979260	TOE, PANEL (PEWTER) (S/P)
62	279818	WHITE (S/P)
62	279969	PEWTER (S/P)

Distribuidor Autorizado

SurteRápido.com

Venta de Refacciones
Electrodomesticas

7MGGW9868KL1 TAMBOR



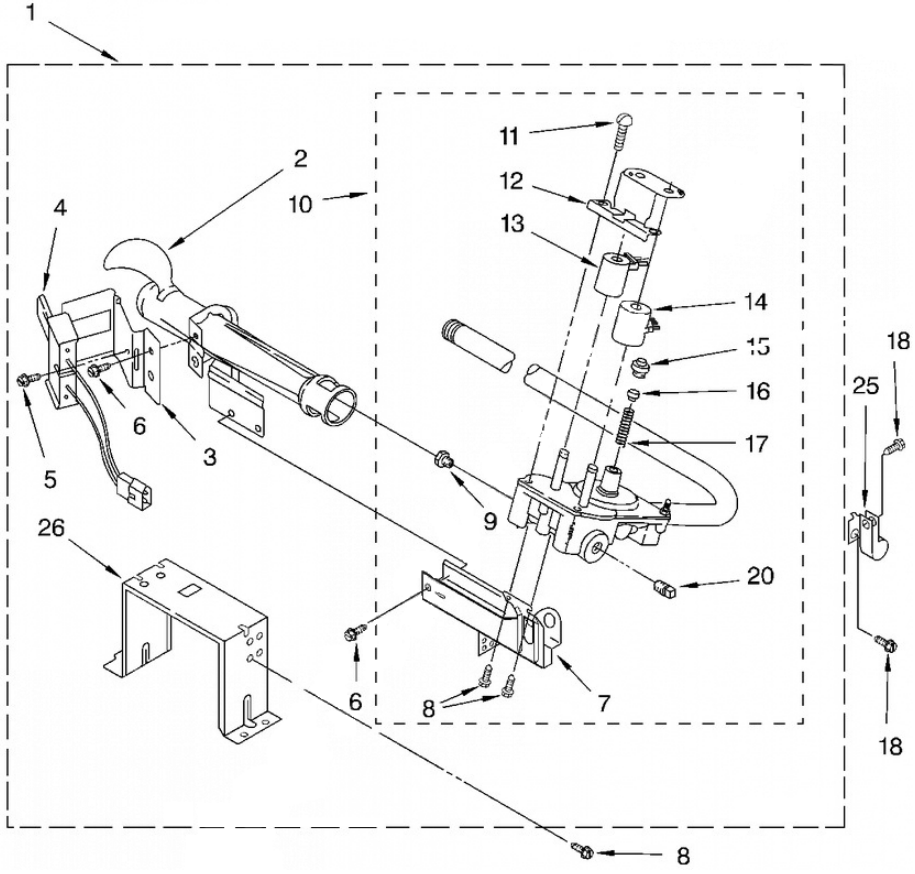


7MGGW9868KL1 TAMBOR

1	8575324	SHAFT, R.H. THREAD (S/P)
2	3390647	SCREW, 8-18 X 1/2 (S/P)
3	90767	SCREW, 8-18 X 3/8 (S/P)
4	3394986	SPRING, LINT SCREEN DOOR (S/P)
5	3394346	AIR DUCT ASSEMBLY (S/P)
6	697813	SEAL, OUTLET HOUSING (S/P)
7	697813	SEAL, DRUM FRONT (S/P)
8	3359452	NUT, 3/8 X 16 (R.H.) (S/P)
9	8066086	DRUM HOLE PLUG (S/P)
10	3402841	LENS, DRUM LIGHT (S/P)
11	3403634	SOCKET ASSEMBLY (S/P)
12	487909	SCREW, 8-15 X 1/2 (S/P)
13	695240	SCREW, 8-18 X 1/2 (S/P)
14	8563758	DOOR, LINT SCREEN (S/P)
15	8318486	EXHAUST PIPE (S/P)
16	3387709	NUT, 3/8-16 (L.H.) (S/P)
17	8520836	BULKHEAD, REAR (S/P)
18	3387459	WASHER, SUPPORT (S/P)
19	8575325	SHAFT, L.H. THREAD (S/P)
20	690997	RING, TRI (S/P)
21	8536974	ROLLER, SUPPORT
22	3390646	SCREW, 8-18 X 5/16 (S/P)
23	8563755	OUTLET HOUSING ASSEMBLY (S/P)
25	8318215	COMPLETE DRUM ASSEMBLY (S/P)
26	97787	SCREW, 11-16 X 3/4 (S/P)
27	280114	SEAL, DRUM (S/P)
30	3388229	CLIP, EXHAUST
34	3387223	ELECTRODE, SENSOR (S/P)
35	3977373	BRACKET, DRUM LIGHT (S/P)
36	22002263	BULB, LIGHT (S/P)
37	697772	WHEEL, BLOWER
42	3976615	THERMOSTAT, INTERNAL BIAS
43	3403140	THERMOSTAT, HIGH-LIMIT 205 F (96 C)

44	8541568	HOUSING, BLOWER (S/P)
45	8530036	LINT DUCT ASSEMBLY (S/P)
46	8066047	FUNNEL, BURNER (S/P)
48	338906	SENSOR, RADIANT
51	3387230	SCREW, 10-16 X 1 (S/P)
52	279780	COVER, BLOWER (INCLUDES ILLUS. 62) (S/P)
53	697693	BAFFLE, DRUM (S/P)
54	697557	BULKHEAD, FRONT (S/P)
58	8299979	GRILL, OUTLET (S/P)
59	3392519	THERMAL FUSE
60	697770	SEAL, COVER PLATE (S/P)
62	8566209	SEAL, LINT DUCT (S/P)
64	4396174	PAINT, TOUCH-UP (1/2OZ.) (PEWTER) (S/P)
64	799344	PAINT, TOUCH-UP (1/2OZ.) (WHITE) (S/P)
64	8522199	KIT, DRYER VENT TESTING (S/P)
64	350938	PAINT, TOUCH-UP (1/2OZ.) P (GRAY) (S/P)
64	4392067	KIT, DRYER REPAIR (S/P)
64	350930	PAINT, TOUCH-UP (1/2OZ.) (WHITE) (S/P)
64	4396175	PAINT, TOUCH-UP (1/2OZ.) (PEWTER) (S/P)
64	72017	PAINT, TOUCH-UP (1/2OZ.) (WHITE) (S/P)
64	3390721	LINT, SCREEN (S/P)

7MGGW9868KL1 QUEMADOR





7MGGW9868KL1 QUEMADOR

1	280119	BURNER ASSEMBLY 60 HZ. (TYPE 1) (S/P)
2	693140	TUBE, BURNER (S/P)
3	694298	BRACKET, IGNITOR (S/P)
4	WE4X750	IGNITOR
5	3393909	SCREW & WASHER (8-32 X 7/8) (S/P)
6	343641	SCREW, 10-16 X 1/2 (S/P)
7	3389871	BASE, BURNER (S/P)
8	3387057	SCREW, 8-18 X 3/8 (S/P)
9	229742	ORIFICE, BURNER (TYPE 4 (BUTANE) (S/P)
9	234826	ORIFICE, BURNER (TYPE 1) (S/P)
9	234868	ORIFICE, BURNER (TYPE 4 (PROPANE) (S/P)
10	8318281	VALVE, GAS 60 HZ. (COMPLETE) (S/P)
11	694421	SCREW, 8-32 X 1/2 (2) (S/P)
12	694538	BRACKET, COIL (S/P)
13	694540	COIL, 60 HZ. (2 TERMINAL) (MAIN) (S/P)
14	694539	COIL, 60 HZ. (SPLIT) (3 TERMINAL) (S/P)
15	694424	LEAK, LIMITER (S/P)
16	694423	SCREW, REGULATOR ADJUSTMENT (S/P)
17	694422	SPRING, REGULATOR (S/P)
18	3390647	SCREW, 8-18 X 1/2 (S/P)
20	239822	PLUG, PIPE (S/P)
25	3387561	CLAMP, PIPE (S/P)
26	3389889	BRACKET, SUPPORT (S/P)
26	49572	CONVERSION KIT (TYPE (1) TO TYPE (4) LPG).