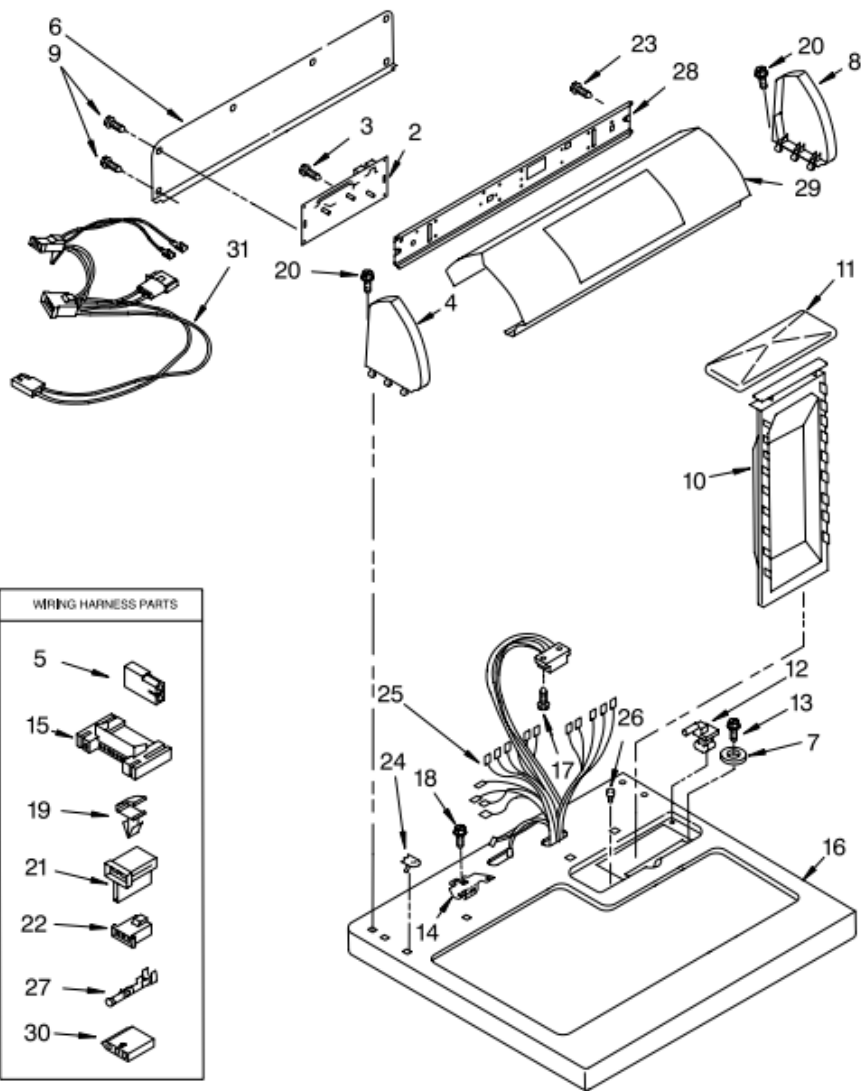


Distribuidor Autorizado

SurteRápido.com

Venta de Refacciones
Electrodomesticas

7MGGX9868JQ1 TABLERO





7MGGX9868JQ1 TABLERO

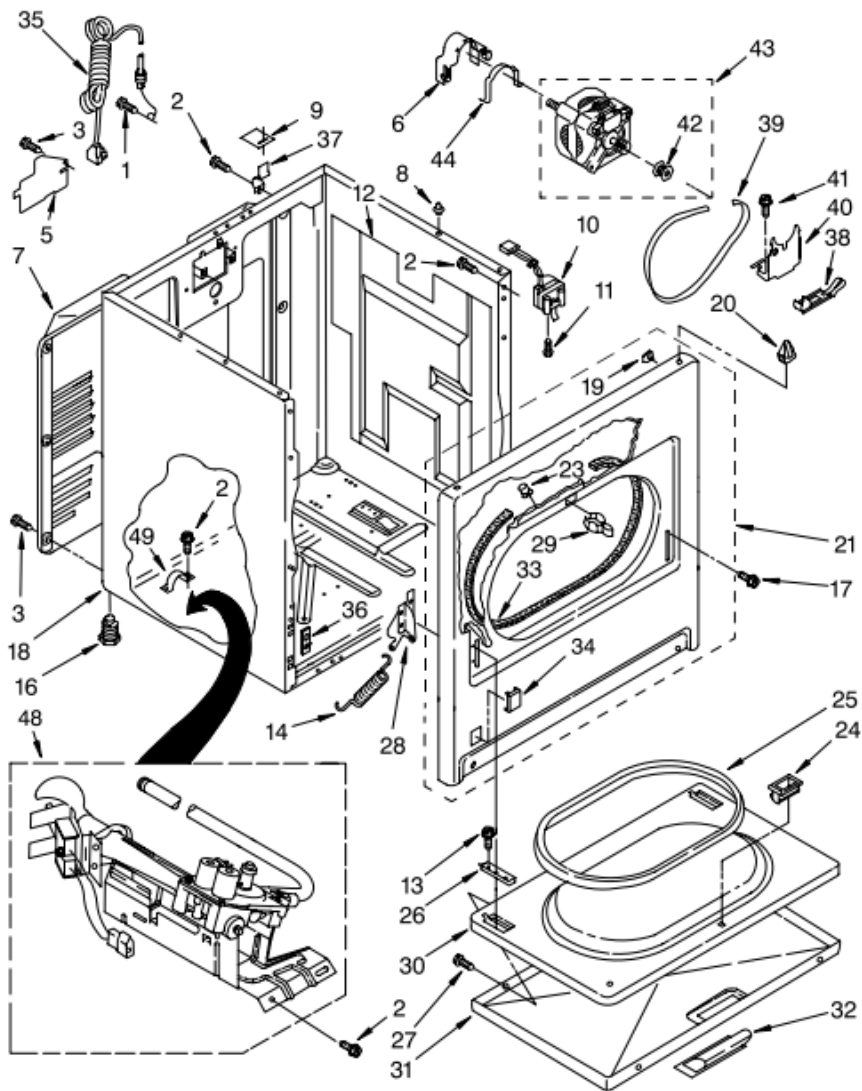
2	280071	CONTROL BOARD
3	3400826	SCREW, 8-18 X 3/4 (S/P)
4	279962	CAP, END (L.H.)
5	717252	PLUG, 2-WAY TERMINAL (S/P)
6	8274261	PANEL, REAR CONSOLE (S/P)
7	487596	WASHER (S/P)
8	279962	CAP, END (R.H.)
9	693995	SCREW, HEX WASHER HEAD (S/P)
10	349639	HANDLE & LINT SCREEN ASSEMBLY
11	8283378	COVER, LINT SCREEN (S/P)
12	3978605	HINGE, R.H. (S/P)
12	3978606	HINGE, L.H. (S/P)
13	688983	SCREW, 8-18 X 5/8 (S/P)
14	3355753	CLIP, GROUND (S/P)
15	3395683	CONNECTOR (MOTOR) (S/P)
16	8521921	TOP (S/P)
17	343641	SCREW, 10-16 X 1/2 (S/P)
18	3393918	SCREW, 8-18 X 11/32 (S/P)
19	3394427	CLIP-HARNESS (S/P)
20	388326	SCREW, CONSOLE (S/P)
21	3403499	CONNECTOR, 2-POSITION (GAS VALVE) (S/P)
22	3403498	CONNECTOR, 3-POSITION (GAS VALVE) (S/P)
23	3390646	SCREW, 8-18 X 5/16 (S/P)
24	357213	NUT, PUSH-IN (2) (S/P)
25	8299903	HARNESS, WIRING (S/P)
26	17258	BUMPER, LINT LID (S/P)
27	94614	TERMINAL, FEMALE (S/P)
28	8274305	BRACKET, CONTROL (S/P)
29	8274398	PANEL, CONTROL (S/P)
30	3936144	CONNECTOR (S/P)
31	3401850	HARNESS, GAS (S/P)

Distribuidor Autorizado

SurteRápido.com

Venta de Refacciones
Electrodomesticas

7MGX9868JQ1 GABINETE





7MGGX9868JQ1 GABINETE

1	697776	SCREW, 10-32 X 5/8 (EXTERNAL GROUND) (S/P)
2	343641	SCREW, 10-16 X 1/2 (S/P)
3	693995	SCREW, HEX HEAD (S/P)
5	3396795	COVER, BLOCK (S/P)
6	3404162	CLAMP, MOTOR (W/SHIELD) (S/P)
7	280043	PANEL, REAR (S/P)
8	98669	LOCATOR, TOP (S/P)
9	18849	PAD, TOP HINGE (S/P)
10	3406107	DOOR SWITCH ASSEMBLY
11	697773	SCREW, 6-20 X 7/8 (S/P)
12	3402709	BOARD, SOUND DAMPENING (S/P)
13	3357011	SCREW, 10-16 X 1/2 (S/P)
14	692495	SPRING, DOOR (2) (S/P)
16	3392100	FOOT, DRYER
16	279810	FOOT-OPTIONAL (S/P)
17	342043	SCREW, 10-32 X 3/8 (S/P)
18	8533643	CABINET (S/P)
19	98234	CLIP, GROUND (2) (S/P)
20	18776	LOCK, FRONT TOP (2)
21	279740	PANEL FRONT (S/P)
23	279220	CLIP, FELT PAD (2) (S/P)
24	3389441	CATCH, DOOR ASSEMBLY (S/P)
25	3390731	SEAL, DOOR
26	337189	CLIP, HINGE (2) (S/P)
27	694091	SCREW, 8-18 X 3/8 (S/P)
28	8066056	HINGE, R.H. (S/P)
28	8066057	HINGE, L.H. (S/P)
29	279570	STRIKE, PANEL
30	695737	DOOR, REAR (S/P)
31	3393549	DOOR, FRONT (S/P)
32	348721	HANDLE, DOOR (S/P)

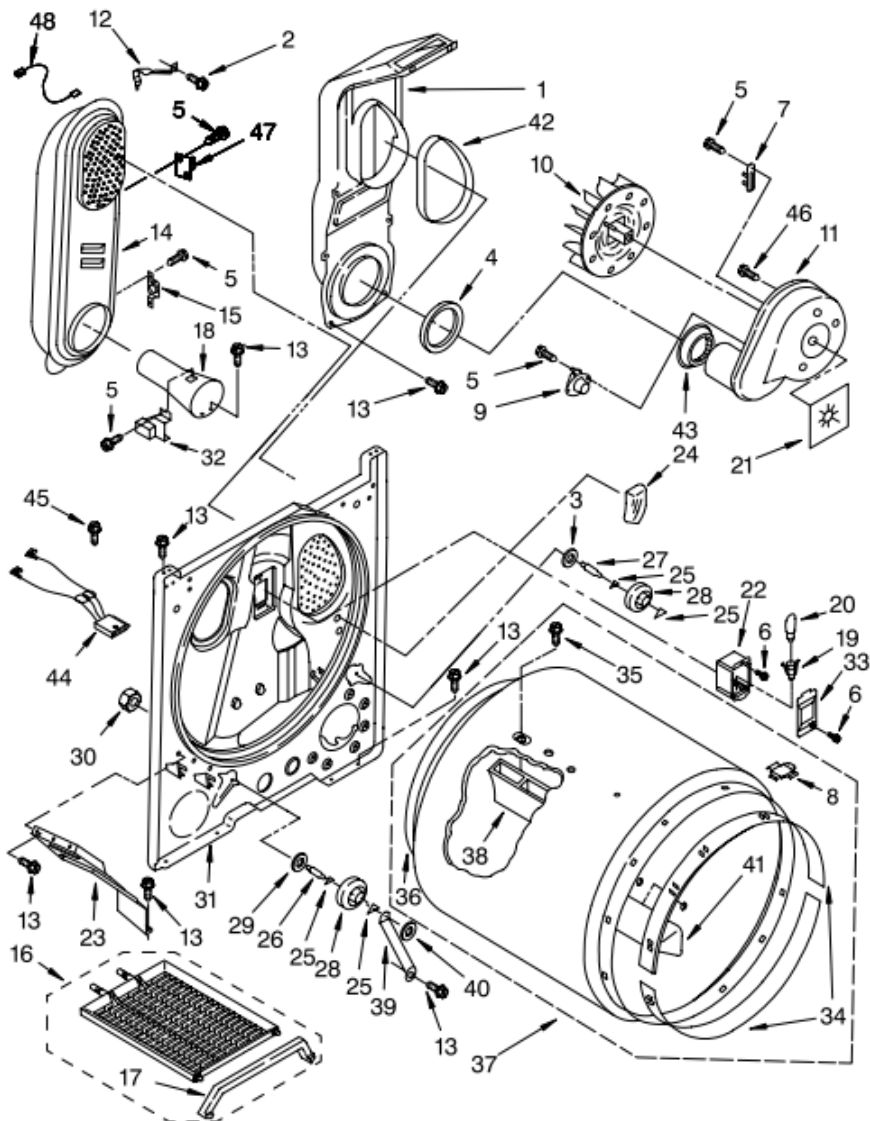
33	3406129	SEAL & BEARING ASSEMBLY
34	3394975	PLUG, FRONT PANEL (S/P)
35	3401402	CORD, POWER
36	3394083	CLIP, FRONT PANEL
37	8066217	HINGE, TOP (2) (S/P)
38	691366	IDLER & SLIDE ASSEMBLY
39	341241	BELT, DRIVE
40	348780	BASE, MOTOR (S/P)
41	3400500	BOLT, 5/16-18 X 3/4 (S/P)
42	3394341	PULLEY, 60 HZ. (S/P)
43	279827	MOTOR ASSEMBLY 60 HZ.
44	343481	CLAMP, MOTOR (S/P)
48	279990	BURNER ASSEMBLY, 60 HZ. (S/P)
49	341029	CLAMP, PIPE (S/P)

Distribuidor Autorizado

SurteRápido.com

Venta de Refacciones
Electrodomesticas

7MGGX9868JQ1 TAMBOR



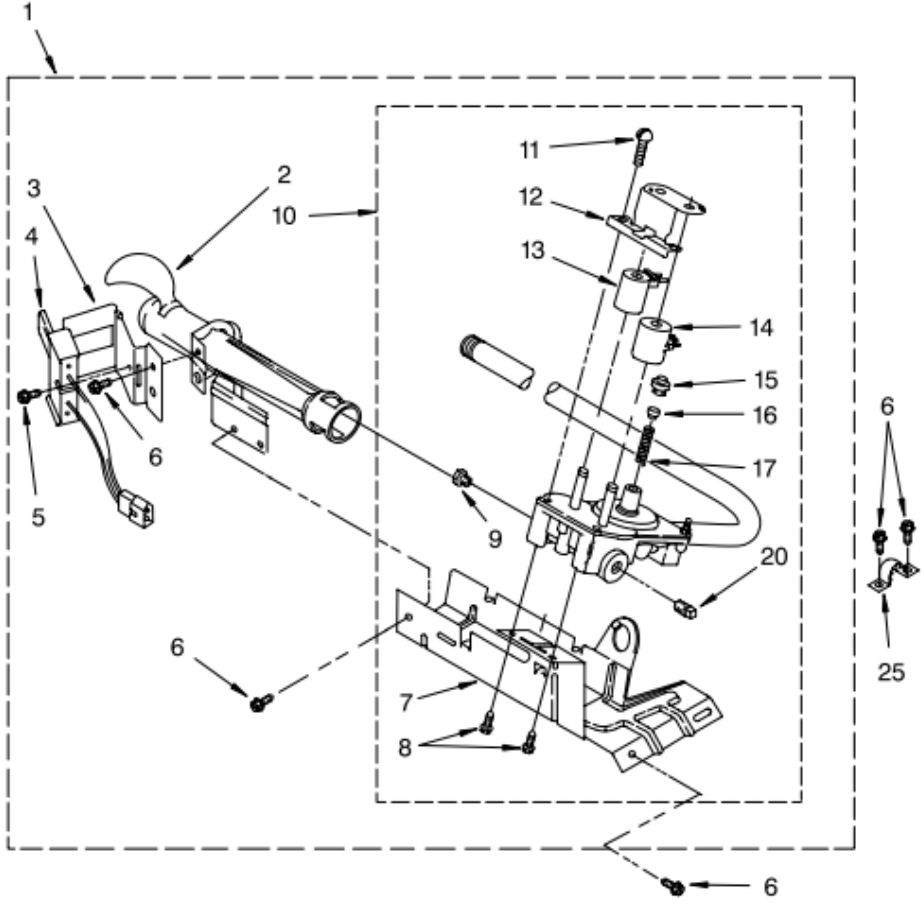


7MGGX9868JQ1 TAMBOR

1	3396352	LINT CHUTE ASSEMBLY (S/P)
2	489463	SCREW, 8-18 X 5/8 (S/P)
3	3388703	WASHER-SUPPORT (S/P)
4	347139	SEAL, LINT, CHUTE (S/P)
5	90767	SCREW, 8-18 X 3/8 (S/P)
6	487909	SCREW, 8-15 X 1/2 (S/P)
7	3390719	FUSE, THERMAL
8	8066086	DRUM HOLE, PLUG (S/P)
9	3976615	THERMOSTER
10	694089	WHEEL, BLOWER
11	8557385	HOUSING, BLOWER (S/P)
12	279771	CLIP (S/P)
13	343641	SCREW, 10-16 X 1/2 (S/P)
14	279980	BOX, HEATER (S/P)
15	3403140	THERMOSTAT, 205 F (96 C)
16	3406839	DRY RACK ASSEMBLY
17	692989	DRY RACK BRACKET (S/P)
18	8066049	FUNNEL, BURNER (S/P)
19	3403634	SOCKET ASSEMBLY (S/P)
20	17512	BULB (S/P)
21	3394196	SEAL, BLOWER (S/P)
22	3977373	BRACKET, DRUM LIGHT (S/P)
23	3406022	BRACKET, BULKHEAD (S/P)
24	3406656	PAD, SENSOR (S/P)
25	690997	RING, TRI (S/P)
26	3399506	SHAFT, L.H.
27	339489	SHAFT, R.H.
28	349241	ROLLER, SUPPORT
29	348197	WASHER, SUPPORT (S/P)
30	3359452	NUT, 3/8-16 (S/P)
31	3403414	BULKHEAD (S/P)

32	338906	SENSOR, RADIANT
33	3402841	LENS, DRUM LIGHT (S/P)
34	279441	RING, BEARING
35	97787	SCREW, 11-16 X 3/4 (S/P)
36	279857	SEAL, REAR DRUM
37	695587	DRUM ASSEMBLY (S/P)
38	692490	BAFFLE, DRUM (2) (S/P)
39	3976434	BRACKET, SUPPORT (S/P)
40	90296	CLIP (S/P)
41	3403636	BAFFLE, DRUM (1) (S/P)
42	339956	SEAL (S/P)
43	696302	SHIELD, EXHAUST (S/P)
44	3406653	HARNESS, SENSOR (S/P)
45	3390646	SCREW, 8-18 X 5/16 (S/P)
46	3390647	SCREW, 8-18 X 1/2 (S/P)
47	280010	KIT, THERMAL CUT-OFF
48	3401707	WIRE, JUMPER (S/P)

7MGGX9868JQ1 QUEMADOR





7MGGX9868JQ1 QUEMADOR

1	279990	BURNER ASSEMBLY 60 HZ. (S/P)
2	693140	TUBE, BURNER (S/P)
3	694298	BRACKET, IGNITOR (S/P)
4	WE4X750	GNITOR
5	3393909	SCREW & WASHER (8-32 X 5/8) (S/P)
6	343641	SCREW, 10-16 X 1/2 (S/P)
7	693986	DESCONTINUADO
8	3387057	SCREW, 8-18 X 3/8 (S/P)
9	*****	ORIFICE, BURNER (S/P)
9	234826	TYPE 1 (S/P)
9	229742	TYPE 4 (BUTANE) (S/P)
9	234868	TYPE 4 (PROPANE) (S/P)
10	8318277	VALVE, 60 HZ.
11	694421	SCREW, 8-32 X 1/2 (2) (S/P)
12	694538	BRACKET, COIL (S/P)
13	694540	COIL, 60 HZ. (2 TERMINAL) (S/P)
14	694539	COIL, 60 HZ. (S/P)
15	694424	LEAK LIMITER (S/P)
16	694423	SCREW, REGULATOR (S/P)
17	694422	SPRING, REGULATOR (S/P)
20	239822	PLUG, PIPE (S/P)
25	341029	CLAMP, PIPE (S/P)