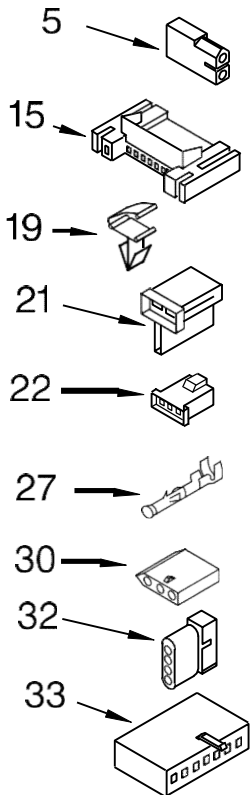


WIRING HARNESS PARTS





SECADORA 7MGGX9868JQ2

Illus. No.	Part No.	DESCRIPTION	Illus. No.	Part No.	DESCRIPTION	Illus. No.	Part No.	DESCRIPTION
1		Literature Parts LIT8528113 Instructions, Installation LIT8528115 Use & Care Guide LIT8528112 Tech Sheet LIT8533209 Wiring Diagram	7	237446	Washer	21	3403499	Connector, 2-Position (Gas Valve)
			8	8271359	Cap, End (R.H.)	22	3403498	Connector, 3-Position (Gas Valve)
			9	693995	Screw, Hex Washer Head	23	3390646	Screw, 8-18 x 5/16
			10	349639	Handle & Lint Screen Assembly	24	357213	Nut, Push-In (2)
			11	8283378	Cover, Lint Screen	25	8299903	Harness, Wiring
			12	3978605	Hinge, R.H.	26	297535	Bumper, Lint Lid
				3978606	Hinge, L.H.	27	94614	Terminal, Female
			13	688983	Screw, 8-18 x 5/8	28	8274305	Bracket, Control
			14	3355753	Clip, Ground	29	8533434	Panel, Control (Includes Keypad)
			15	3395683	Connector (Motor)	30	3936144	Connector
			16	8271395	Top	31	3401850	Harness, Gas
			17	343641	Screw, 10-16 x 1/2	32	353424	Connector
			18	3393918	Screw, 8-18 x 11/32	33	3936150	Connector, 7-Circuit
			19	3394427	Clip-Harness			
			20	388326	Screw, Console			

Following May Be Purchased

DO-IT-YOURSELF REPAIR MANUALS

LIT677818 Dryer

2	3978802	Control Board
3	3400826	Screw, 8-18 x 3/4
4	8271365	Cap, End (L.H.)
5	717252	Plug, 2-Way Terminal
6	8274261	Panel, Rear Console

OPTIONAL PARTS (NOT INCLUDED)

Illus. No.	Part No.	DESCRIPTION
------------	----------	-------------

ACCESSORY PARTS

	279948	Kit, Dryer Repair
	346764	Kit, Hold-Down (Gas Dryer Mobile Home Installation)

PAINT, TOUCH-UP (1/2oz.)

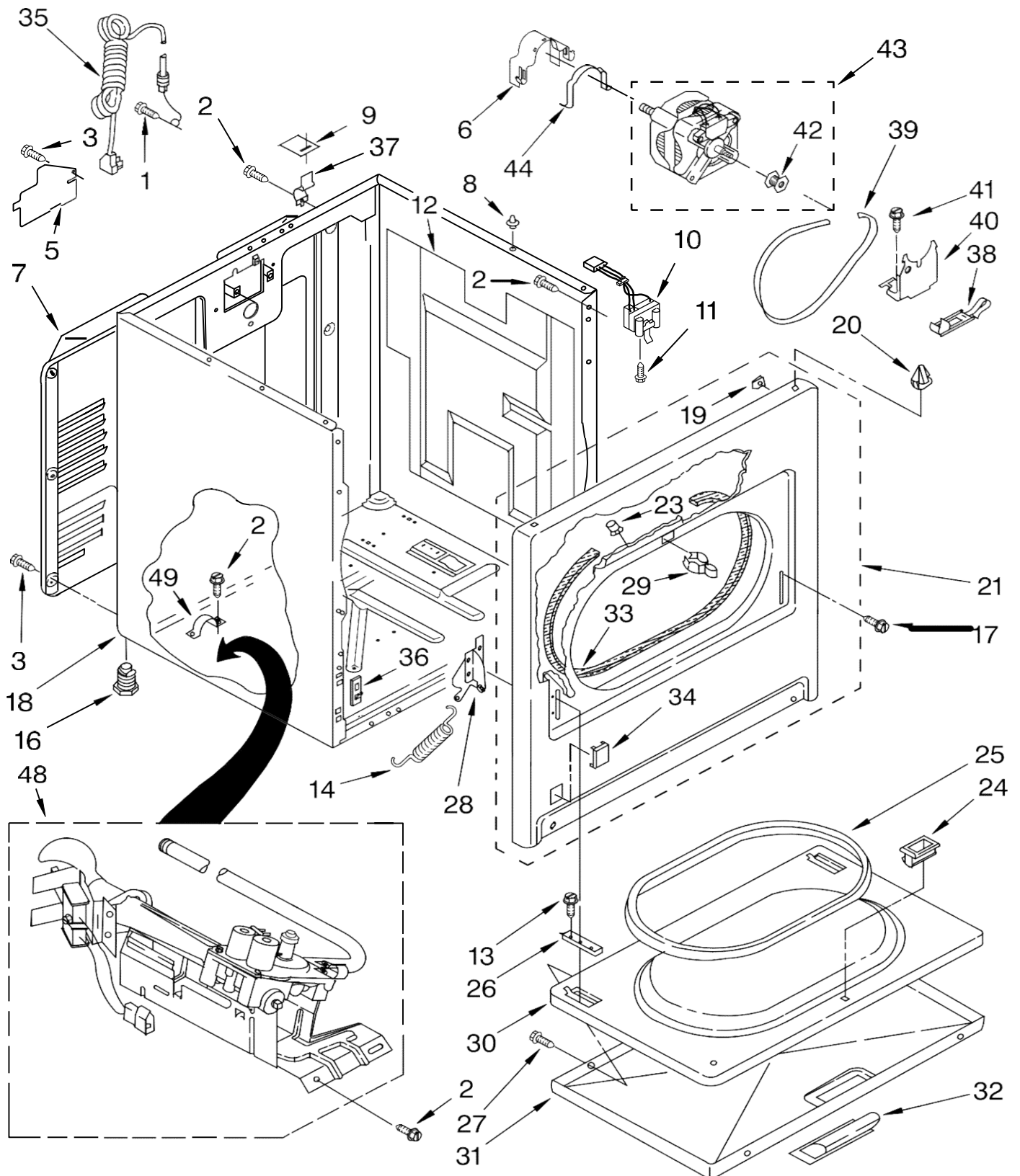
72017 White

PAINT, PRESSURIZED SPRAY (12 oz.)

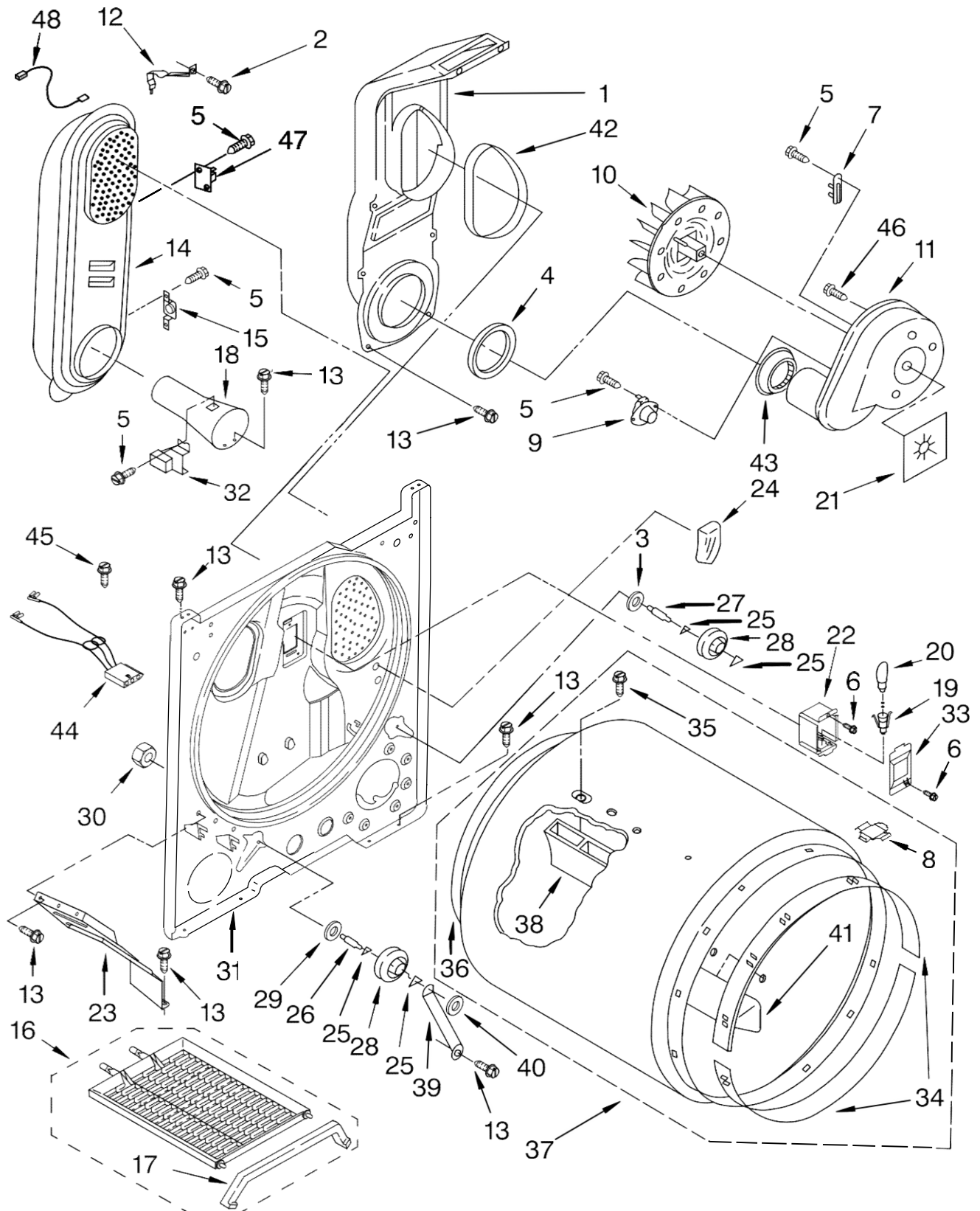
	350930	White
	350938	Primer, Gray

PAINT, BULK (1 qt.)

799344 White (Uncut)

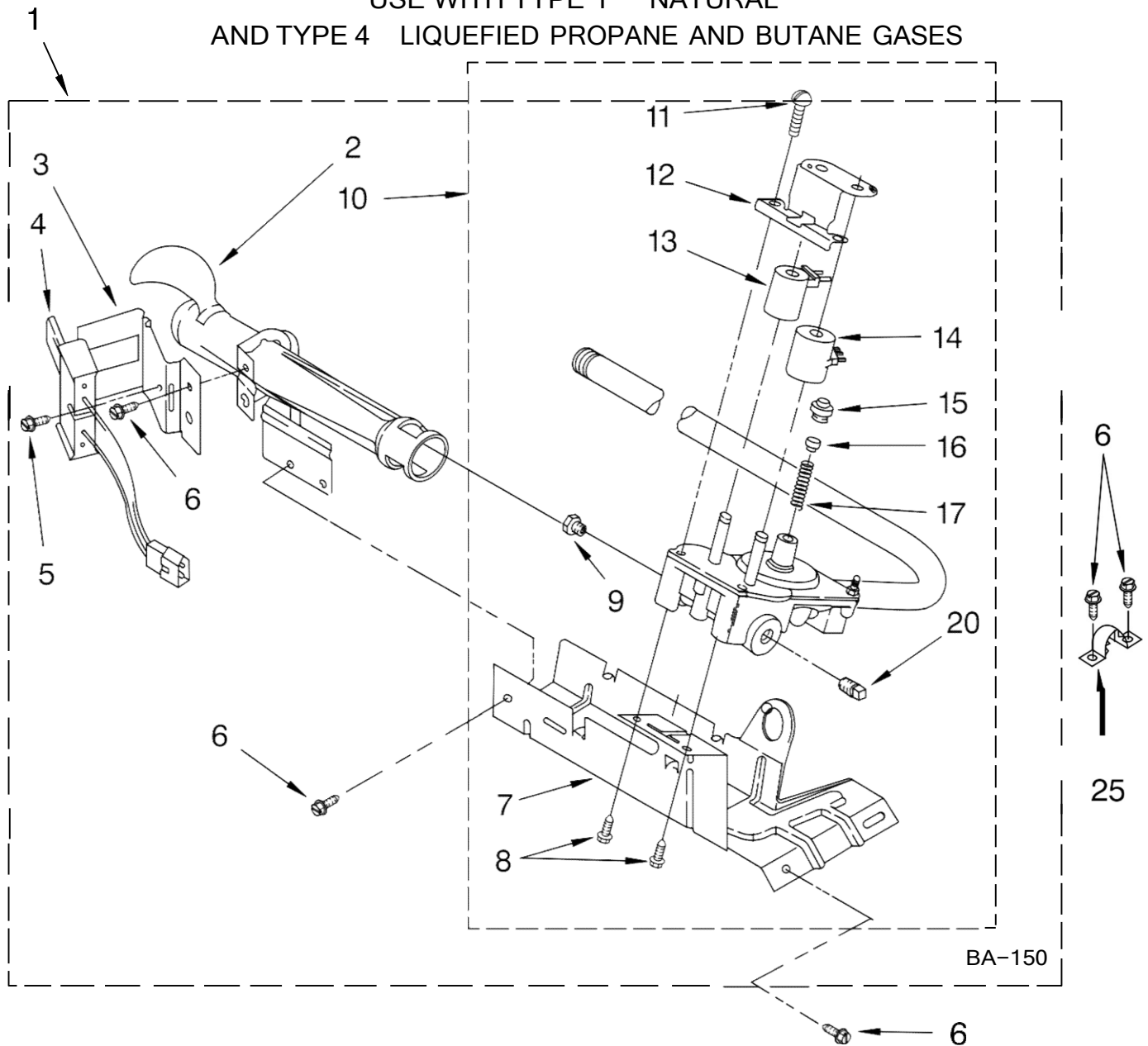


Illus. No.	Part No.	DESCRIPTION
1	697776	Screw, 10-32 x 5/8 (External Ground)
2	343641	Screw, 10-16 x 1/2
3	693995	Screw, Hex Head
5	3396795	Cover, Block
6	3404162	Clamp, Motor (W/Shield)
7	3396805	Panel, Rear
8	98669	Locator, Top
9	18849	Pad, Top Hinge
10	3406107	Door Switch Assembly
11	697773	Screw, 6-20 x 7/8
12	3402709	Board, Sound Dampening
13	3357011	Screw, 10-16 x 1/2
14	692495	Spring, Door (2)
16	3392100	Foot, Dryer
	279810	Foot-Optional (Extended Length) (Package of 2) (Not Included.)
17	342043	Screw, 10-32 x 3/8
18	8530603	Cabinet
19	98234	Clip, Ground (2)
20	18776	Lock, Front Top (2)
21	3395197	Panel Front
23	685203	Clip, Felt Pad (2)
24	3389441	Catch, Door Assembly
25	3390731	Seal, Door
26	337189	Clip, Hinge (2)
27	694091	Screw, 8-18 x 3/8
28	8066056	Hinge, R.H.
	8066057	Hinge, L.H.
29	696144	Strike, Panel
30	695737	Door, Rear
31	3393549	Door, Front
32	690270	Handle, Door
33	3406129	Seal & Bearing Assembly
34	3394975	Plug, Front Panel
35	344020	Cord, Power
36	3394083	Clip, Front Panel
37	238088	Hinge, Top (2)
38	3394332	Idler & Slide Assembly
39	8066065	Belt, Drive
40	348780	Base, Motor
41	3400500	Bolt, 5/16-18 x 3/4
42	3394341	Pulley, 60 Hz.
43	661654	Motor Assembly 60 Hz.
44	660658	Clamp, Motor
48	8318272	Burner Assembly, 60 Hz. (See Pages 7 & 8 For Further Burner Breakdown)
49	341029	Clamp, Pipe



Illus. No.	Part No.	DESCRIPTION
1	348368	Lint Chute Assembly
2	489463	Screw, 8-18 x 5/8
3	3388703	Washer-Support
4	347139	Seal, Lint Chute
5	90767	Screw, 8-18 x 3/8
6	487909	Screw, 8-15 x 1/2
7	3390719	Fuse, Thermal
8	8066086	Drum Hole Plug
9	3976615	Thermoster
10	694089	Wheel, Blower (Includes Illus. 21)
11	3404301	Housing, Blower
12	3398161	Clip
13	343641	Screw, 10-16 x 1/2
14	8530285	Box, Heater
15	3403140	Thermostat, 205 F (96°C)
16	3406839	Dry Rack Assembly
17	692989	Dry Rack Bracket
18	8066049	Funnel, Burner
19	3403634	Socket Assembly
20	3406124	Bulb
21	3394196	Seal, Blower
22	3977373	Bracket, Drum Light
23	3406022	Bracket, Bulkhead
24	3406656	Pad, Sensor
25	690997	Ring, Tri 26
	3399506	Shaft, L.H.
27	3399507	Shaft, R.H.
28	3397588	Roller, Support
29	348197	Washer, Support
30	3359452	Nut, 3/8-16
31	3403414	Bulkhead
32	338906	Sensor, Radiant
33	3402841	Lens, Drum Light
34	692526	Ring, Bearing
35	97787	Screw, 11-16 x 3/4
36	3406130	Seal, Rear Drum
37	695587	Drum Assembly
38	692490	Baffle, Drum (2)
39	3976434	Bracket, Support
40	90296	Clip
41	3403636	Baffle, Drum (1)
42	339956	Seal
43	696302	Shield, Exhaust
44	3406653	Harness, Sensor
45	3390646	Screw, 8-18 x 5/16
46	3390647	Screw, 8-18 x 1/2
47	280010	Kit, Thermal Cut-Off (Includes Illus. 15)
48	3401707	Wire, Jumper

USE WITH TYPE 1 - NATURAL
AND TYPE 4 LIQUEFIED PROPANE AND BUTANE GASES



USE WITH TYPE 1 – NATURAL
AND TYPE 4 LIQUEFIED PROPANE AND BUTANE GASES

Illus. No.	Part No.	DESCRIPTION
1	8318272	Burner Assembly 60 Hz. (Type 1) (White Rodgers)
2	688617	Tube, Burner
3	694298	Bracket, Ignitor
4	686590	Ignitor
5	3393909	Screw & Washer (8-32 x 5/8)
6	343641	Screw, 10-16 x 1/2
7	693986	Base, Burner
8	3387057	Screw, 8-18 x 3/8
9		Orifice, Burner
	234826	Type 1
	229742	Type 4 (Butane)
	234868	Type 4 (Propane)
10	8318277	Valve, 60 Hz. (Includes Pipe & Illus. #7)
11	694421	Screw, 8-32 x 1/2 (2)
12	694538	Bracket, Coil
13	694540	Coil, 60 Hz. (2 Terminal) (Main)
14	694539	Coil, 60 Hz. (Split) (3 Terminal) (Pilot Position)
15	694424	Leak Limiter
16	694423	Screw, Regulator Adjustment
17	694422	Spring, Regulator
20	239822	Plug, Pipe
25	341029	Clamp, Pipe

Following Parts Not Illustrated

694572 Conversion Kit
(Type 1)
to Type (4) L.P.G.