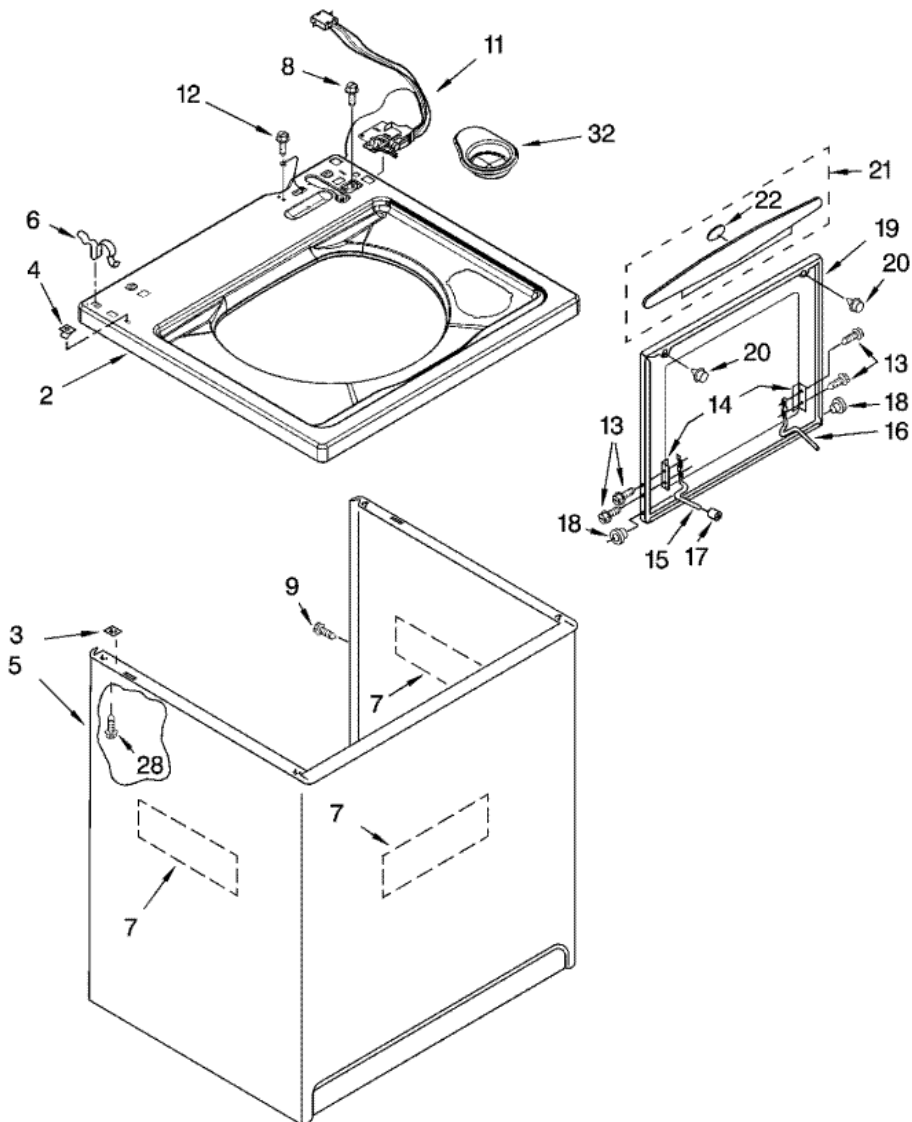


Distribuidor Autorizado

SurteRápido.com

Venta de Refacciones
Electrodomesticas

7MGST9679PW0 GABINETE





7MGST9679PW0 GABINETE

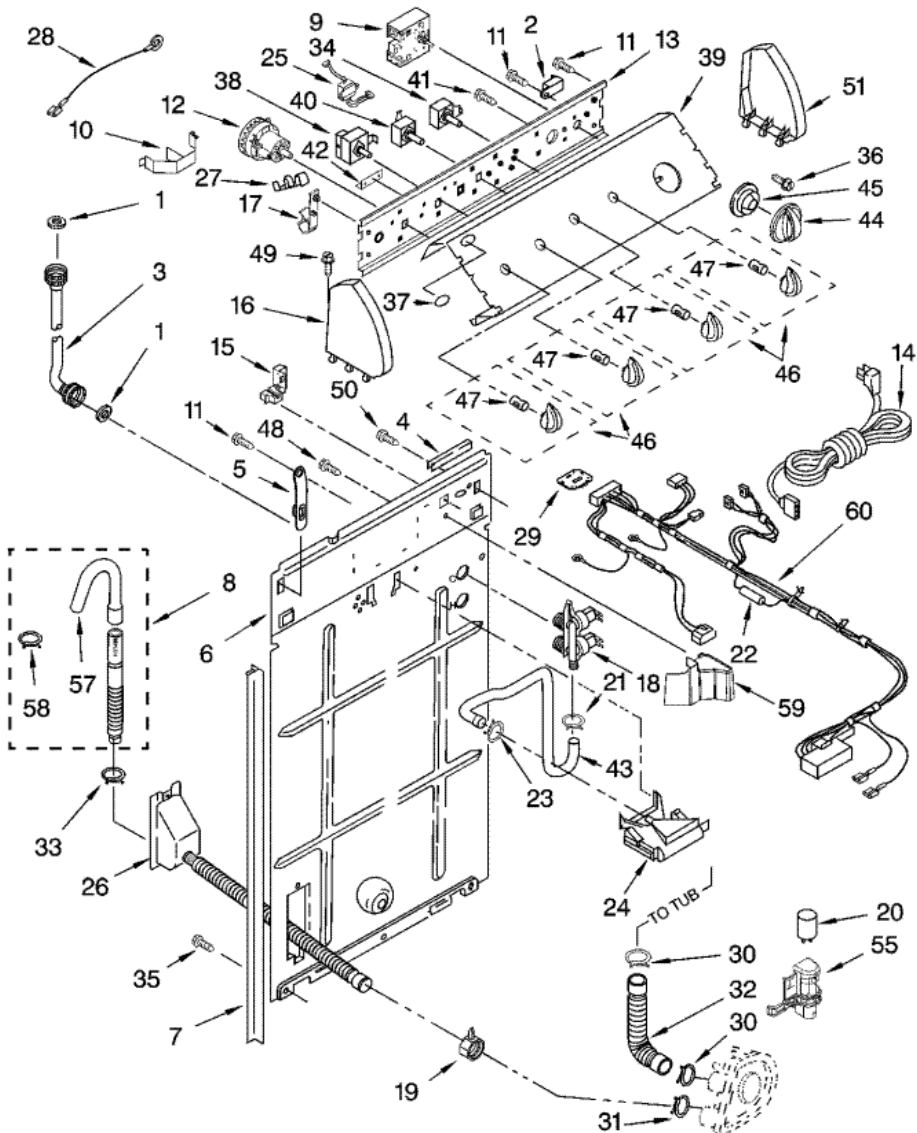
2	3957075	TOP (PEWTER) (S/P)
2	3955789	TOP (WHITE) (S/P)
3	62750	SPACER, CABINET TO TOP (4) (S/P)
4	357213	NUT, PUSH-IN (2) (S/P)
5	63424	CABINET (WHITE) (S/P)
5	3956112	CABINET (PEWTER) (S/P)
6	62780	CLIP, TOP & CABINET & REAR PANEL (2)
7	3976348	CABINET-SOUND DAMPER (3) (S/P)
8	3400611	SCREW, LID SWITCH (2) (S/P)
9	3357011	SCREW, 10-16 X 1/2 (S/P)
11	8054980	SWITCH, LID
12	3351614	SCREW, GROUND (S/P)
13	355274	SCREW, LID HINGE MOUNTING (4) (S/P)
14	21097	PAD, LID HINGE (2) (S/P)
15	8055257	HINGE, LID (L.H.) (S/P)
16	8055256	HINGE, LID (R.H.) (S/P)
17	19119	BUMPER, LID HINGE (S/P)
18	8319539	BEARING, LID HINGE (2) (S/P)
19	8541778	LID (PEWTER) (S/P)
19	3957600	LID (WHITE) (S/P)
20	93770	BUMPER, LID (2)
21	3956012	HANDLE, LID (S/P)
22	3956010	INSERT, HANDLE (S/P)
28	3390631	SCREW, 10-16 X 3/8 (4) (S/P)
32	8566266	DISPENSER, BLEACH (S/P)

Distribuidor Autorizado

SurteRápido.com

Venta de Refacciones
Electrodomesticas

7MGST9679PW0 TABLERO



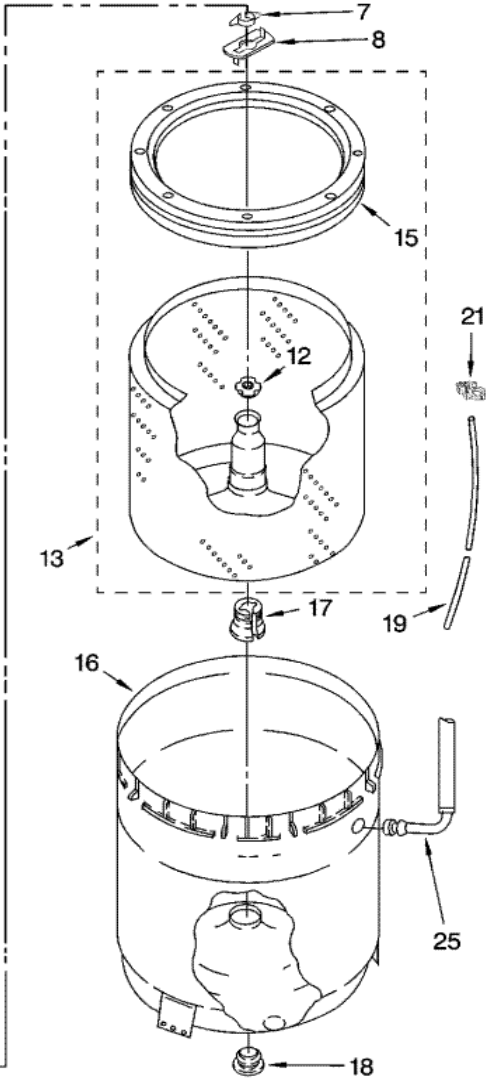
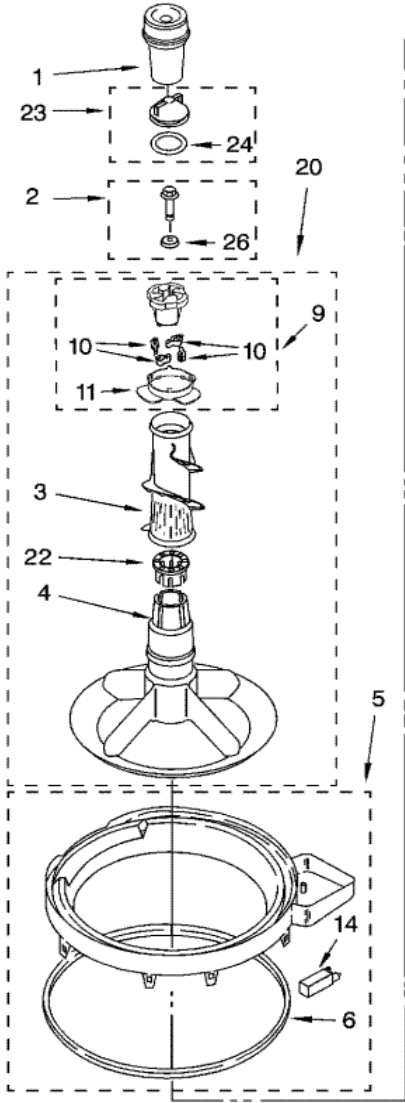


7MGST9679PW0 TABLERO

1	16123	WASHER, WATER INLET HOSE (4) (S/P)
2	694419	MINI, BUZZER
3	89503	HOSE, WATER INLET (2) (BLUE COUPLER)
4	3367669	EDGE PROTECTOR (S/P)
5	8568314	STRAP, CONSOLE (2) (S/P)
6	8318405	PANEL, REAR (S/P)
7	62747	PAD, REAR PANEL (S/P)
8	661577	HOSE, DRAIN (9 FT.) (NOT INCLUDED) (S/P)
8	285702	EXTENSION DRAIN HOSE (21 INCHES) (S/P)
8	285664	HOSE, DRAIN (4 FT.)
9	3955765	TIMER, CONTROL (60 HZ.) (S/P)
10	8055003	CLIP, HARNESS & PRESSURE HOSE (S/P)
11	90767	SCREW, 8-18 X 3/8 (S/P)
12	3366845	SWITCH, WATER LEVEL
13	8544893	BRACKET, CONTROL (S/P)
14	8532158	CORD, POWER (INCLUDES ITEM 15) (S/P)
15	285777	STRAIN RELIEF, POWER CORD (S/P)
16	279962	CAP, END (L.H.) (WHITE) (S/P)
16	285980	CAP, END (L.H.) (PEWTER) (S/P)
17	8317975	RETAINER, HARNESS (S/P)
18	3979346	VALVE, WATER INLET & THERMISTOR ASSY.
19	3976395	CLAMP, HOSE (S/P)
20	8572720	CAPACITOR (S/P)
21	596669	CLAMP, HOSE BREAK (S/P)
22	8317387	FUSE (IN HARNESS) (S/P)
23	596669	CLAMP, HOSE (S/P)
24	3360977	BREAK, VACUUM
25	3407174	TRANSFORMER (S/P)
26	8317940	ASSEMBLY, DRAIN HOSE
27	357572	CLIP, GROUNDING (S/P)
28	3395559	WIRE, GROUND (S/P)
29	3407173	CONTROL, ATC (S/P)
30	616099	CLAMP, HOSE (S/P)

31	285655	CLAMP, HOSE (S/P)
32	285871	HOSE, PUMP TO TUB (INCLUDES 30)
33	356138	CLAMP, HOSE (S/P)
34	3956080	SWITCH, ROTARY
35	62863	SCREW, (S/P)
37	8533990	MEDALLION (S/P)
38	3956646	SWITCH, WATER TEMPERATURE (S/P)
39	8539630	PANEL, CONSOLE (INCLUDES ITEM 37) (S/P)
40	3950356	SWITCH, ROTARY (S/P)
41	3179795	SCREW, GROUND (S/P)
42	8316039	SHIELD, ATC (S/P)
43	8317926	HOSE, VACUUM BREAK
44	8544945	KNOB, TIMER
45	8544947	DIAL, TIMER (S/P)
46	8544937	KNOB, CONTROL (S/P)
47	8536939	CLIP, KNOB (S/P)
48	9740848	SCREW, 8-18 X 1/2 (S/P)
49	388326	SCREW, 8-18 X 1.25 (PANEL TO TOP) (S/P)
50	3351614	SCREW, GROUND (S/P)
51	279962	CAP, END (R.H.) (WHITE)
51	285980	CAP, END (R.H.) (PEWTER) (S/P)
55	8318046	CLIP, CAPACITOR (S/P)
57	3357027	NOZZLE, HOSE DRAIN (S/P)
58	3357331	CLAMP, DRAIN HOSE (S/P)
59	8314879	SHIELD, INLET VALVE (S/P)
60	3957195	HARNESS, WIRING (S/P)

7MGST9679PW0 TINA

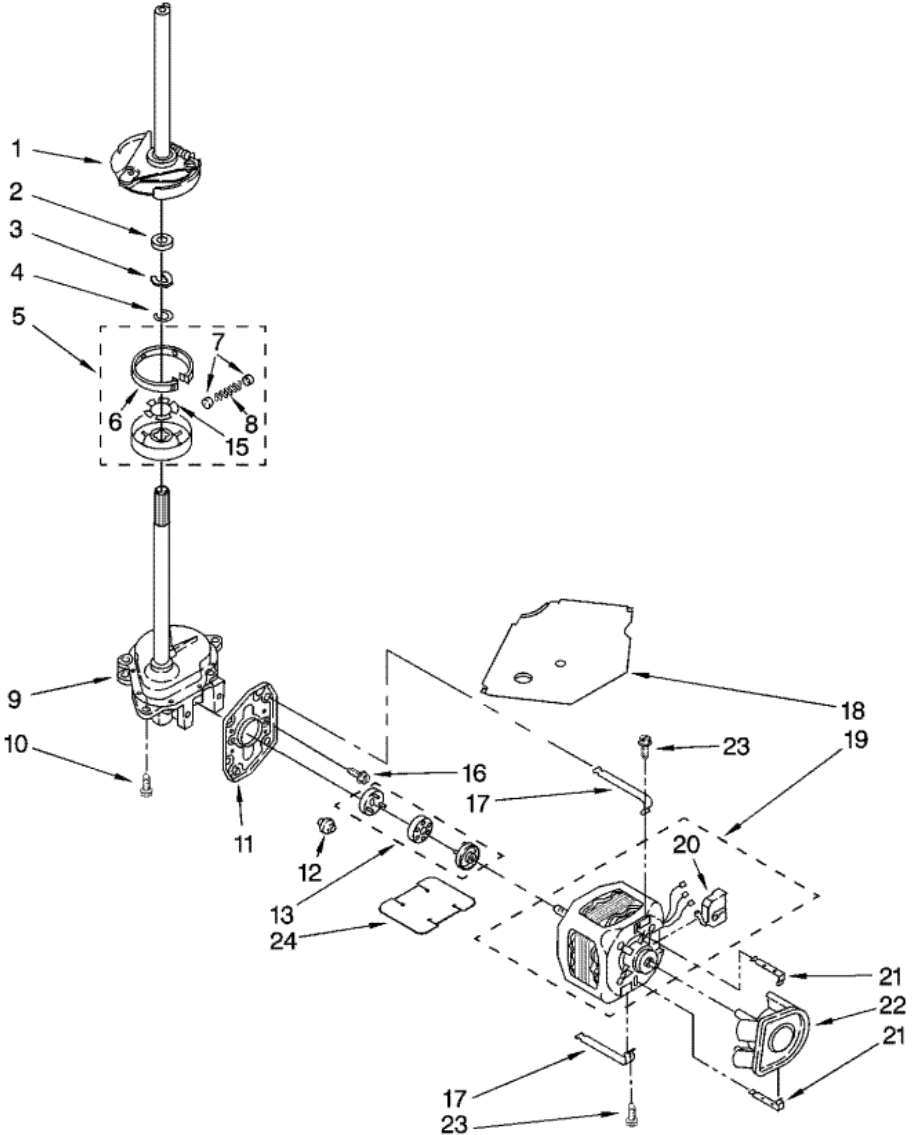




7MGST9679PW0 TINA

1	63580	DISPENSER ASY.
2	358237	SCREW & WASHER (5/16-24 X 1)
3	3363003	CLOTHES MOVER
4	3951744	AGITATOR
5	3954507	TUB RING & GASKET (S/P)
6	3976308	SEAL, TUB RING
7	3354845	CLIP, AGITATOR (S/P)
8	3355921	WASHER, AGITATOR (S/P)
9	285809	CAM, DRIVEN
10	285770	DOG, AGITATOR CLUTCH (4)
11	3952374	BEARING-DRIVEN CAM (S/P)
12	21366	NUT, SPANNER
13	8526016	BASKET & BALANCE RING
14	285833	WAX MOTOR (S/P)
15	387240	BALANCE RING (S/P)
16	8283125	TUB (S/P)
17	389140	BLOCK, BASKET DRIVE
18	383727	GASKET, CENTERPOST
19	353244	HOSE, PRESSURE SWITCH
20	3951744	AGITATOR (COMPLETE ASY.)
21	2219077	CLIP, PRESSURE SWITCH HOSE (S/P)
22	3951608	SPACER, THRUST
23	285551	CAP, BARRIER
24	3348855	SEAL, INNER CAP
25	3948705	HOSE, BLEACH (S/P)
26	3949550	WASHER (S/P)

7MGST9679PW0 MOTOR





7MGST9679PW0 MOTOR

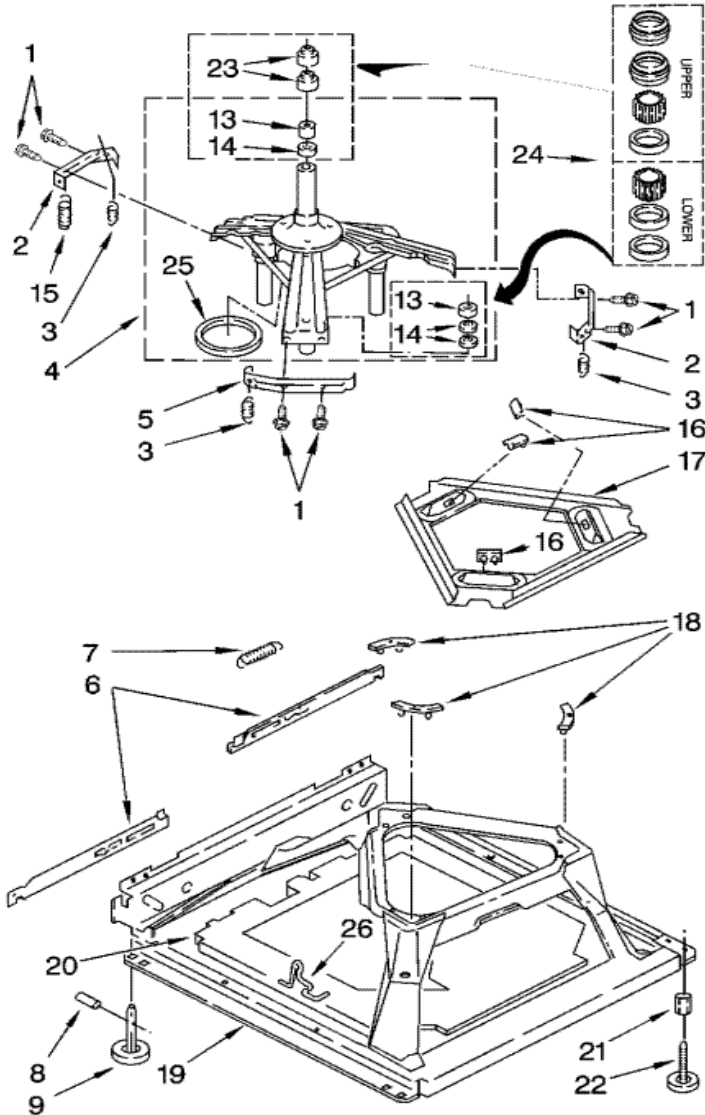
1	285792	BRAKE & DRIVE TUBE (COMPLETE)
2	63292	WASHER, SPIN TUBE THRUST
3	62697	RING, SPIN TUBE SUPPORT
4	285353	RING, RETAINER
5	285785	CLUTCH (COMPLETE)
6	285790	BAND & LINING, CLUTCH
7	62646	CAP, CLUTCH SPRING (2) (S/P)
8	3946792	SPRING, CLUTCH (S/P)
9	3360629	GEARCASE (COMPLETE)
10	3357334	SCREW, GEARCASE TO BASE (3) (S/P)
11	62611	PLATE, MOTOR MOUNT TO GEARCASE
12	62691	GROMMET, MOTOR (4)
13	285753	COUPLING, MOTOR & ISOLATION
15	3355454	CLIP, ANTI-RATTLE (S/P)
16	3400516	SCREW (S/P)
17	3349637	RETAINER, MOTOR (2)
18	3362089	SHIELD, TUB TO MOTOR (S/P)
19	8529936	MOTOR, MAIN DRIVE
20	8529896	SWITCH, MAIN DRIVE MOTOR
21	62700	RETAINER, PUMP (2)
22	3363394	PUMP (COMPLETE)
23	3387485	SCREW, 10-16 X 5/8 (S/P)
24	8316060	SHIELD, MOTOR (S/P)

Distribuidor Autorizado

SurteRápido.com

Venta de Refacciones
Electrodomesticas

7MGST9679PW0 BASE

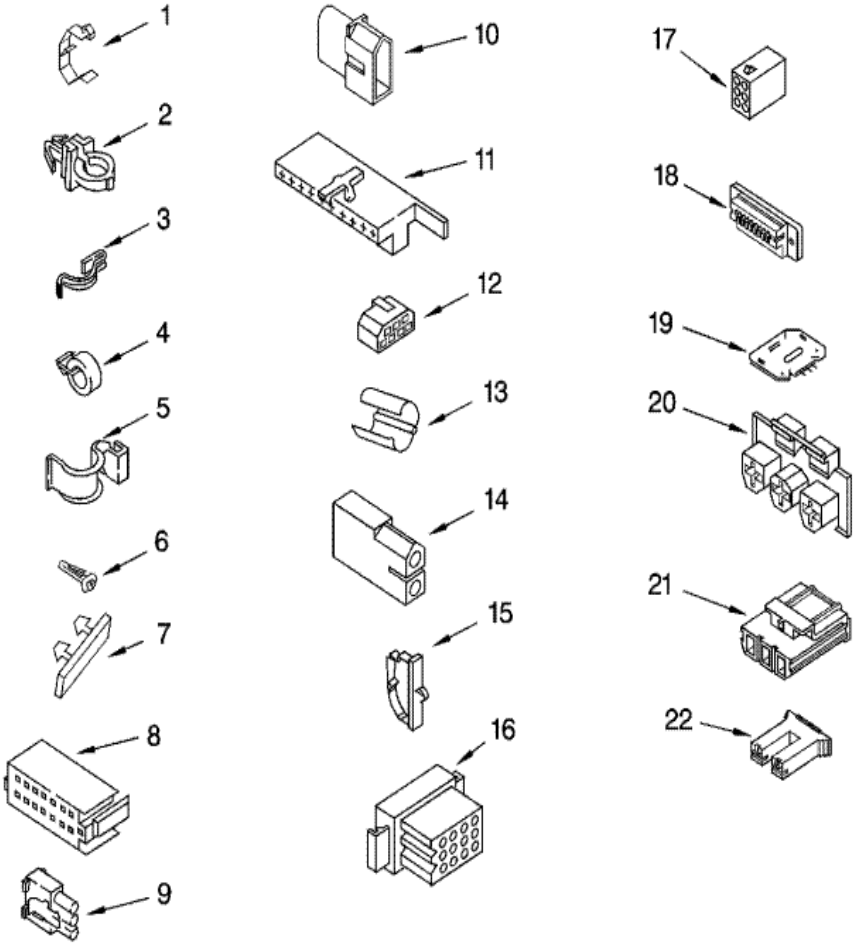




7MGST9679PW0 BASE

1	3400076	SCREW, BRACKET MOUNTING (10-32 X 5/8) (S/P)
2	64067	BRACKET, SPRING OUTER (2)
3	63907	SPRING SUSPENSION,(3)
4	280184	SUPPORT & BRAKE, TUB
5	64065	BRACKET, SPRING OUTER (L.F.)
6	63466	LINK, LEVELING MECHANISM (2)
7	8316845	SPRING, LEVELING MECHANISM
8	62837	PIN, KNURLED (S/P)
9	285244	FOOT, REAR (2)
13	8546455	BEARING, CENTERPOST (2) (S/P)
14	359449	SEAL, CENTERPOST (3)
15	285901	SPRING, COUNTERWEIGHT (S/P)
16	285219	PAD, PLATE
17	3946509	PLATE, SUSPENSION (INCLUDES ILLUS. 16)
18	285744	PAD, BASE
19	285771	BASE ASSEMBLY
20	8544816	SOUND ABSORBER (S/P)
21	3359452	NUT, LOCK (2) (3/8-16) (S/P)
22	389102	FOOT, FRONT (2)
23	91938	SEAL, CENTERPOST (2)
24	285203	CENTERPOST BEARING KIT
25	63134	RING, SOUND DEADENING
26	63806	RETAINER, SUSPENSION SPRING

7MGST9679PW0 HARNES

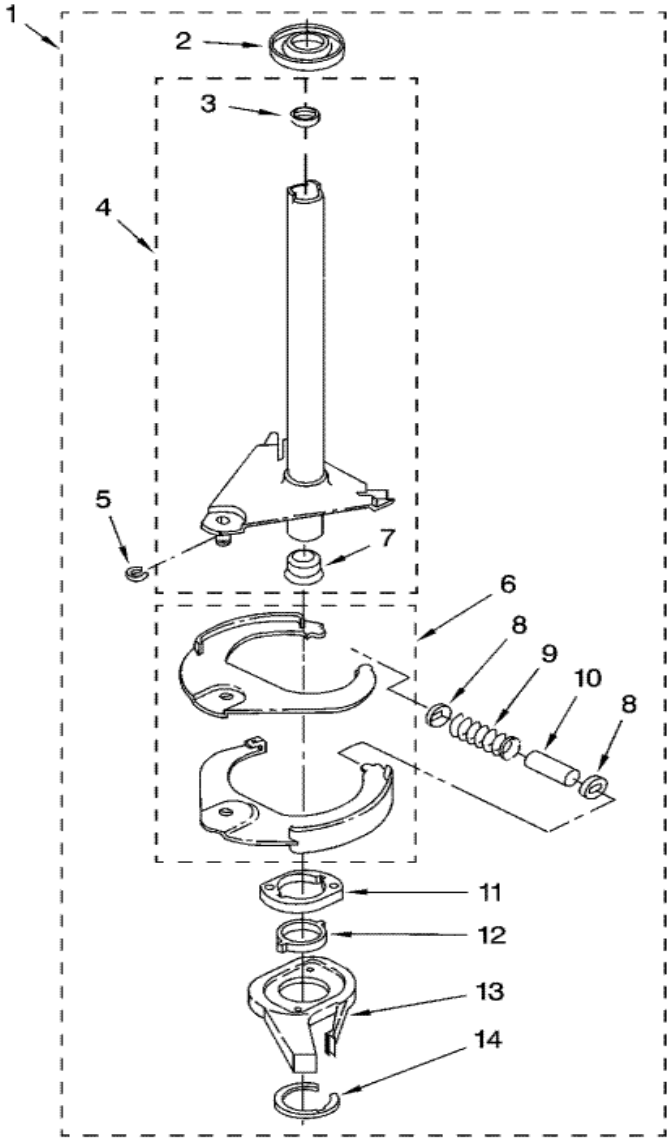




7MGST9679PW0 HARNES

1	3349557	CLIP, HARNESS (S/P)
2	388498	DESCONTINUADO
3	8528351	CLIP, HARNESS (S/P)
4	3348535	CLIP, HARNESS (S/P)
5	90016	CLIP, HARNESS (S/P)
6	8281256	CLIP, HARNESS (S/P)
7	389379	RETAINER, (SUDS MODELS) (S/P)
8	352089	TIMER, BLOCK DISCONNECT (BLACK) (S/P)
8	3948614	TIMER, BLOCK DISCONNECT (WHITE) (S/P)
9	62889	RECEPTACLE, TERMINAL (3-WAY) (S/P)
10	353424	PLUG, TERMINAL (3-WAY) (POWER CORD) (S/P)
11	62505	BLOCK, DISCONNECT (MOTOR 2 SPEED) (S/P)
12	3347243	BLOCK, DISCONNECT (USE TERM. 352088) (S/P)
13	63523	PROTECTOR (S/P)
14	717252	CONNECTOR (2-WAY) (USE TERM.94614) (S/P)
15	3352944	CLIP, HARNESS (S/P)
16	3390423	BLOCK, DISCONNECT (12-WAY) (TIMER) (S/P)
17	3347730	DESCONTINUADO
18	3349494	CONNECTOR, ETC (S/P)
19	3955728	E.T.C. CONTROL
20	3948617	CONNECTOR (T.P.A.) (3-CIRCUIT) (S/P)
21	3360056	CONNECTOR (T.P.A) (3-CIRCUIT) (S/P)
22	3354925	BLOCK, CONNECTOR (COLD VALVE) (S/P)
22	3354926	BLOCK, CONNECTOR (HOT VALVE) (S/P)

7MGST9679PW0 FLECHA HUECA





7MGST9679PW0 FLECHA HUECA

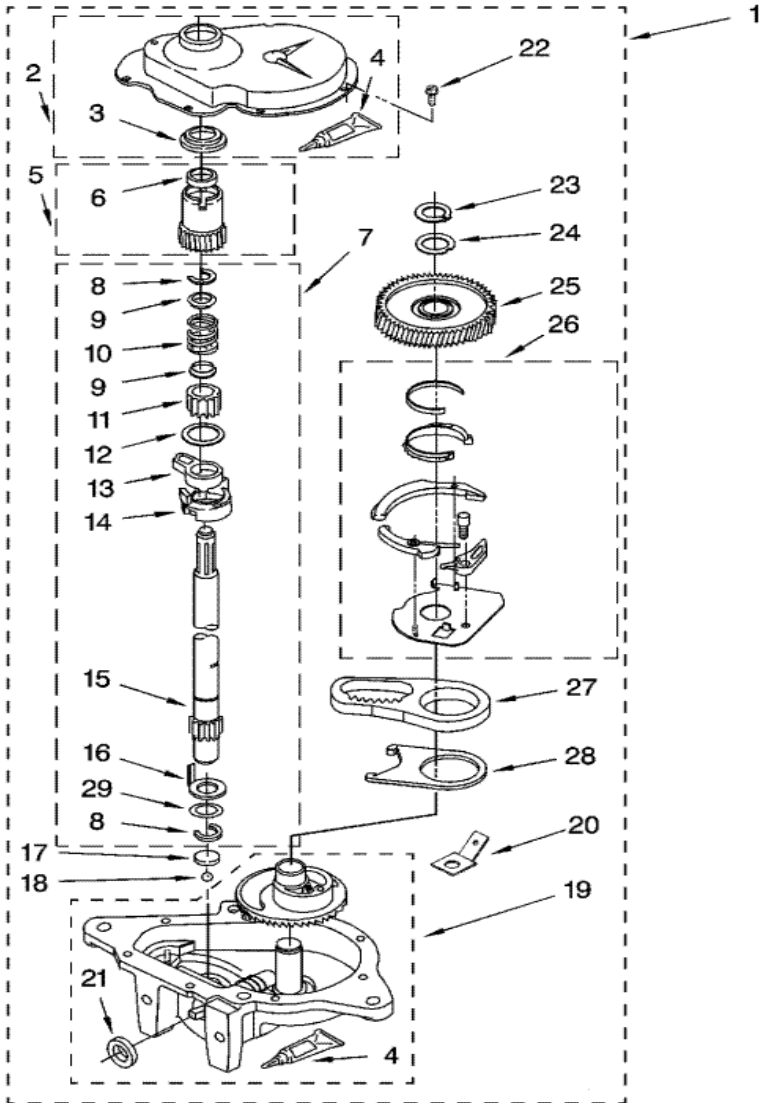
1	285792	BRAKE AND DRIVE TUBE (COMPLETE)
2	62658	RING, THRUST
3	356427	SEAL, DRIVE TUBE
4	64208	TUBE, BASKET DRIVE
5	64035	RING, RETAINING (S/P)
6	285438	SHOE, BRAKE (2)
7	62703	``T`` BEARING, SPIN TUBE
8	285658	CAP, BRAKE SPRING (2) (S/P)
9	387806	SPRING, BRAKE
10	285658	SLEEVE, BRAKE SPRING (S/P)
11	661516	CAM, BRAKE RELEASE
12	63022	DESCONTINUADO
13	64194	DRIVER, BRAKE CAM
14	285208	LUBRICANT (S/P)
14	90368	RING, RETAINING

Distribuidor Autorizado

SurteRápido.com

Venta de Refacciones
Electrodomesticas

7MGST9679PW0 TRANSMISION





7MGST9679PW0 TRANSMISION

1	3360629	GEARCASE (COMPLETE)
2	285202	COVER, GEARCASE (S/P)
3	3349985	SEAL, GEARCASE COVER
4	285195	SEALER, GASKET (.20 FL. OZ.) (6 ML)
5	285362	PINION, SPIN (INCLUDES ILLUS. 25)
6	356427	SEAL, SPIN PINION
7	389387	SHAFT, AGITATOR (COMPLETE)
8	90369	RING, RETAINING (2)
9	62677	RETAINER, SPRING (2)
10	62676	SPRING, AGITATE
11	285509	DESCONTINUADO
12	62619	WASHER, AGITATE GEAR (S/P)
13	285206	CAM FOLLOWER (INCLUDES 14)
14	285206	CAM, AGITATE (INCLUDES 13)
15	285509	DESCONTINUADO
16	62618	WASHER, CAM THRUST
17	285205	BEARING, THRUST (INCLUDES 18)
18	285205	BALL, BEARING (INCLUDES 17)
19	285515	BOTTOM AND PINION, GEARCASE (S/P)
20	3949116	BLOCK TAB, TERMINAL (S/P)
21	285352	SEAL, THRUST PLUG
22	3351614	SCREW, GEARCASE COVER MOUNTING (8) (S/P)
23	285765	RING, RETAINING
24	285735	WASHER KIT, THRUST
25	285362	GEAR, SPIN
26	388253	NEUTRAL ASSEMBLY
27	3949609	RACK, CONNECTING
28	62621	ACTUATOR, SHIFT
29	388815	WASHER, INTERMEDIATE (S/P)

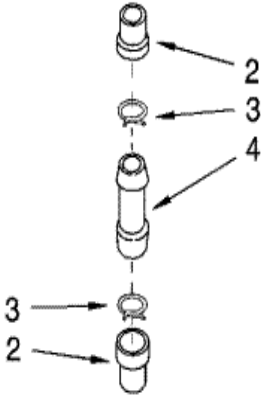
Distribuidor Autorizado

SurteRápido.com

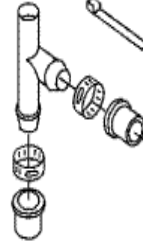
Venta de Refacciones
Electrodomesticas

7MGST9679PW0 SISTEMA DE AGUA

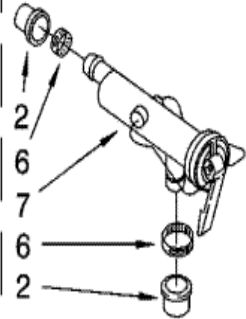
Order The Following Parts
To Splice Plastic Drain Hose
(Not Included)



Siphon Break Kit
(Not Included)



Drain Protector
(Not Included)





7MGST9679PW0 SISTEMA DE AGUA

1	285442	CONNECTOR KIT, PLASTIC DRAIN HOSE (S/P)
1	285654	MISCELLANEOUS PARTS BAG (S/P)
2	285321	SLEEVE KIT, (CONTAINS 2 SLEEVES) (S/P)
2	16123	WASHER, WATER INLET HOSE (4) (S/P)
3	3357331	CLAMP, HOSE (S/P)
3	285655	CLAMP, HOSE (S/P)
4	3359452	NUT, LOCK (2) (3/8-16) (S/P)
4	16272	CONNECTOR, STRAIGHT (S/P)
5	285320	SIPHON BREAK KIT (NOT INCLUDED) (S/P)
5	389102	FOOT, FRONT (2)
6	285655	CLAMP, HOSE (S/P)
6	356138	CLAMP, HOSE (S/P)
7	367031	DRAIN PROTECTOR (NOT INCLUDED)