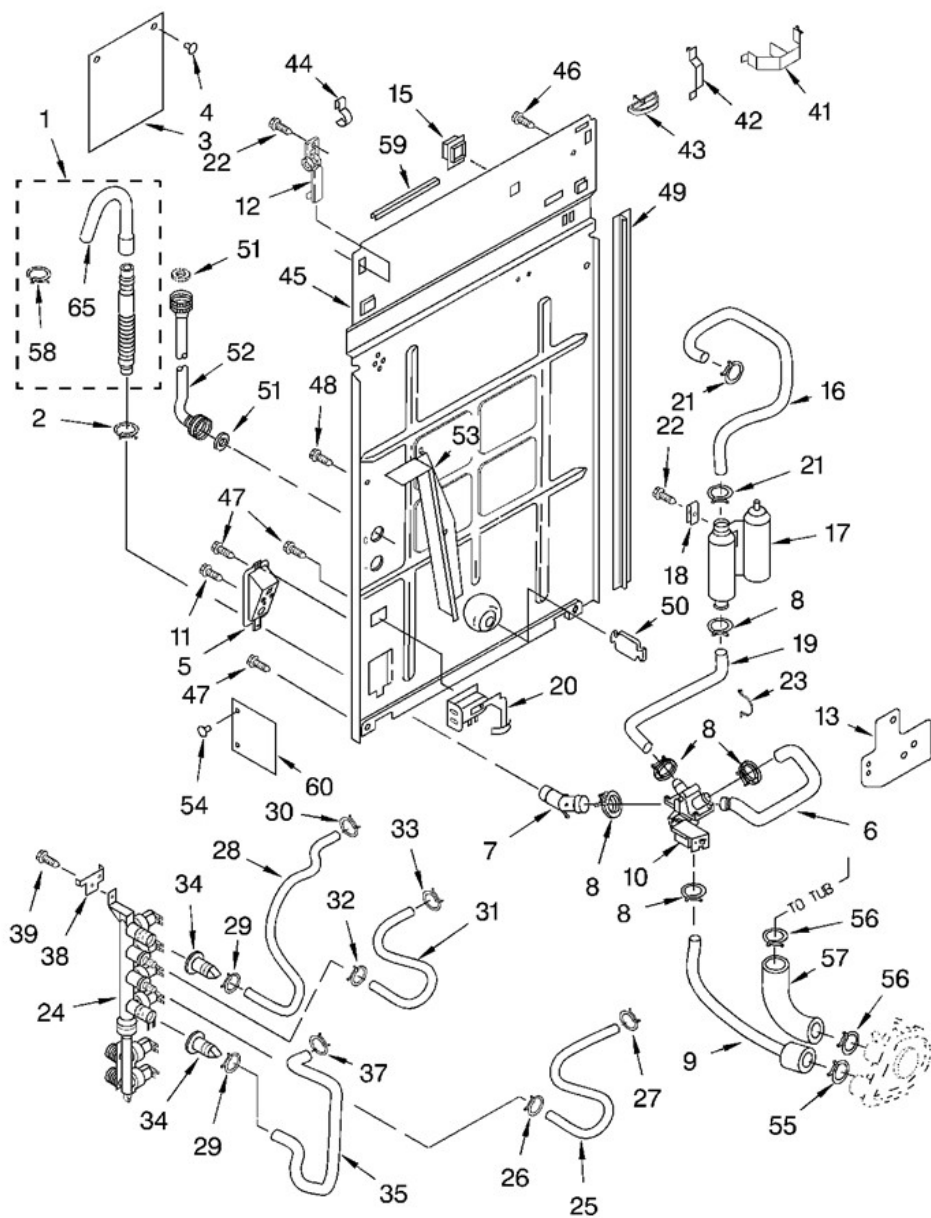


Distribuidor Autorizado

SurteRápido.com

Venta de Refacciones
Electrodomesticas

Lavadora Whirlpool 7MGSX9885JQ0

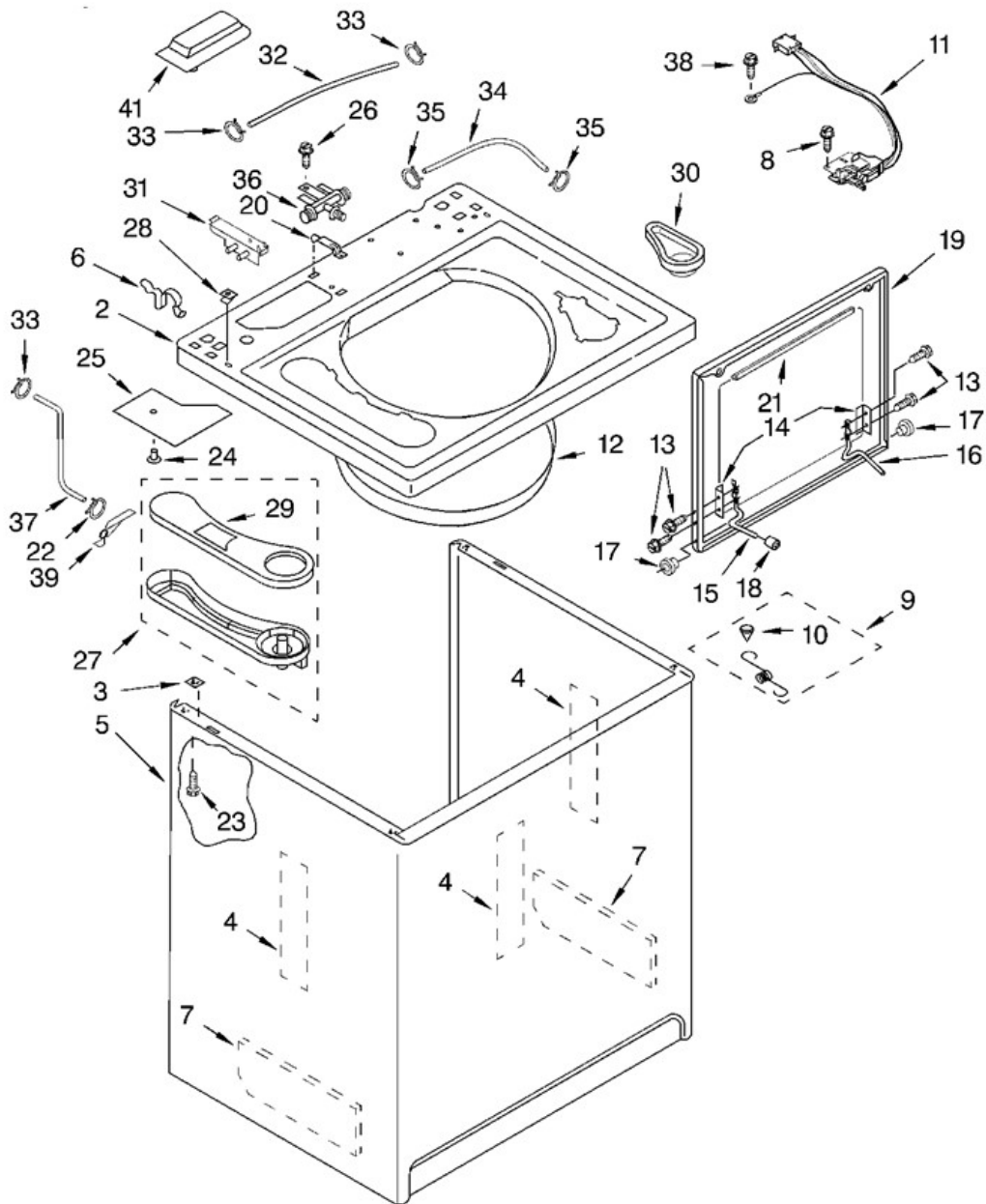


Distribuidor Autorizado

SurteRápido.com

Venta de Refacciones
Electrodomesticas

Lavadora Whirlpool 7MGSX9885JQ0

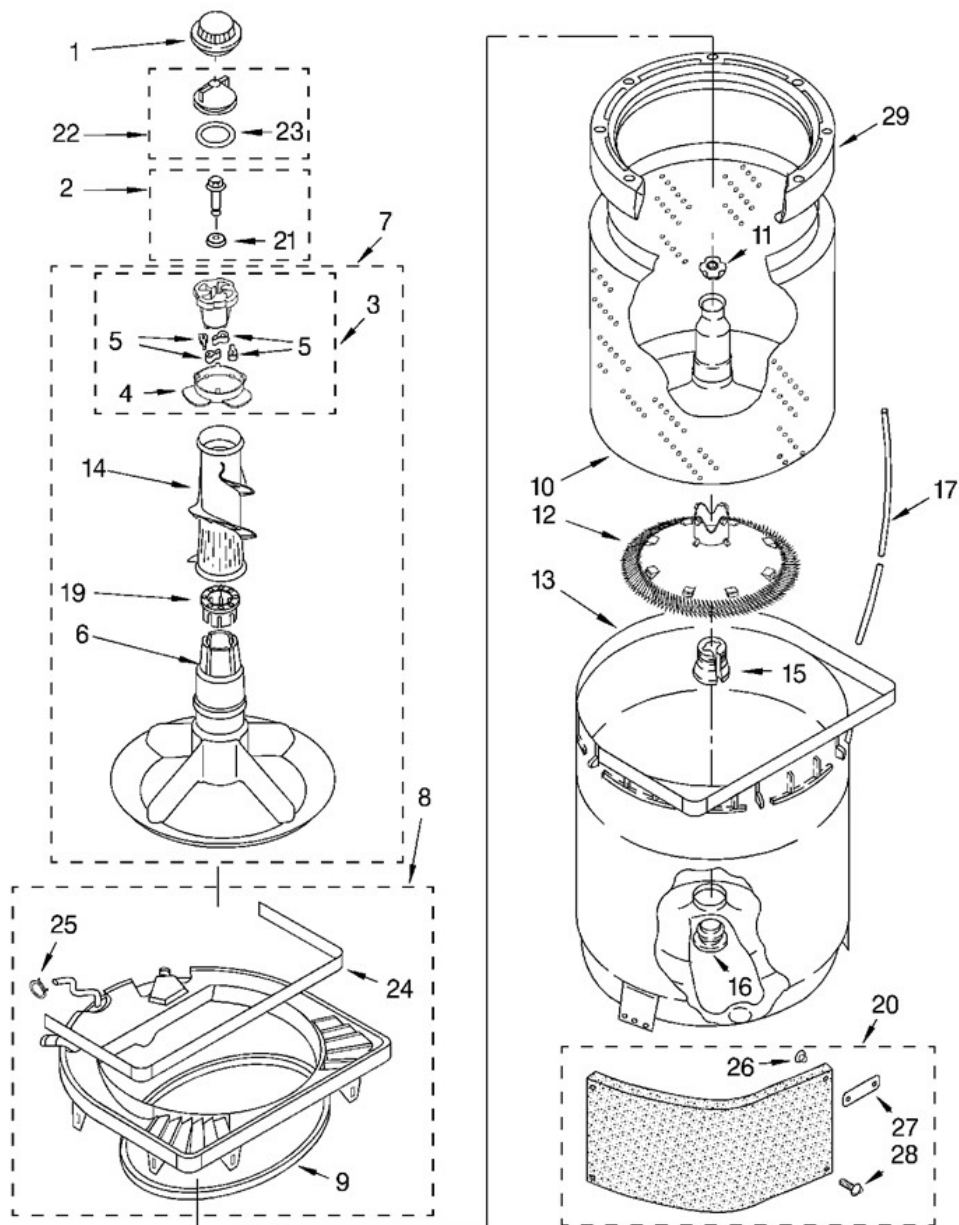


Distribuidor Autorizado

SurteRápido.com

Venta de Refacciones
Electrodomesticas

Lavadora Whirlpool 7MGX9885JQ0

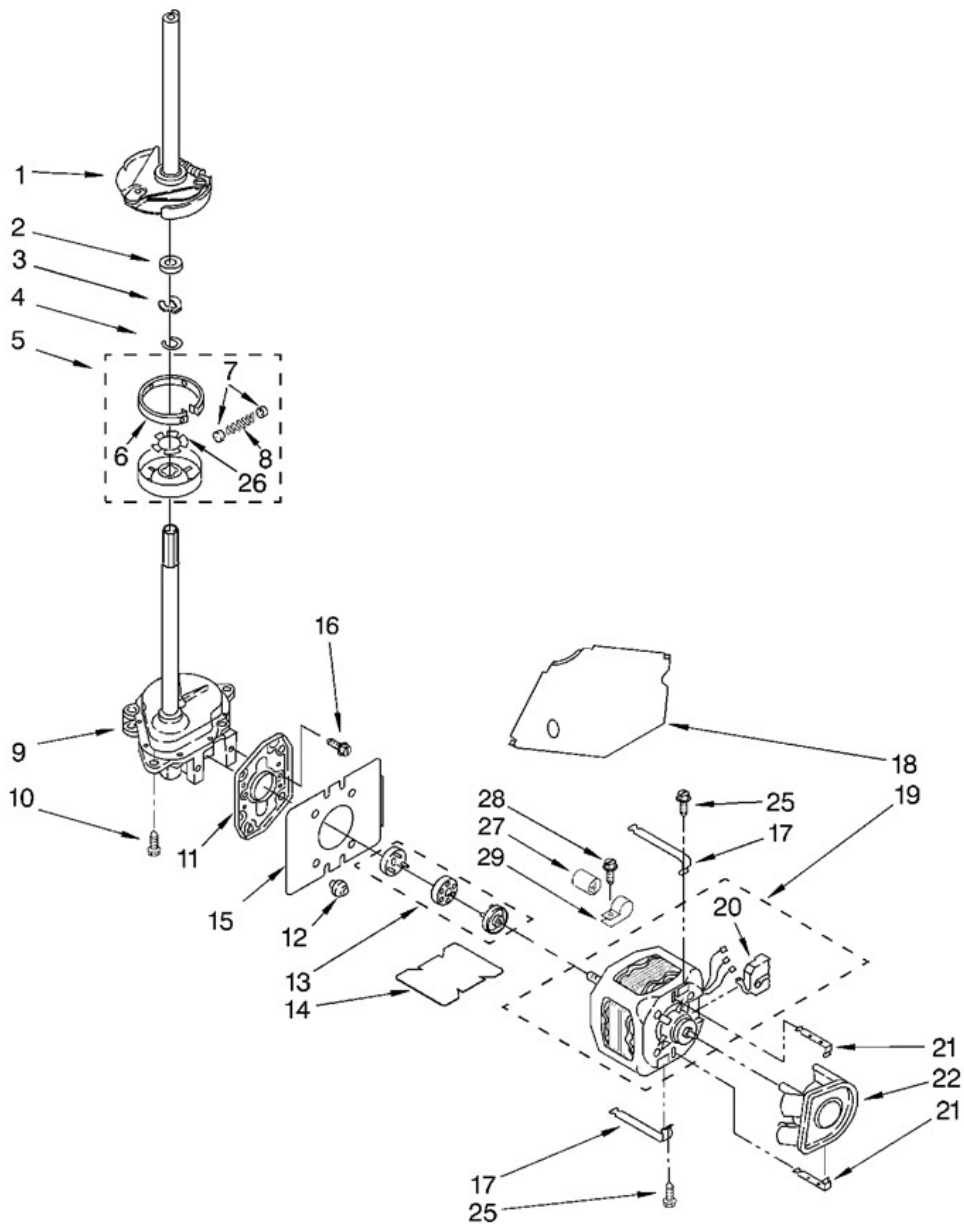


Distribuidor Autorizado

SurteRápido.com

Venta de Refacciones
Electrodomesticas

Lavadora Whirlpool 7MG SX9885JQ0

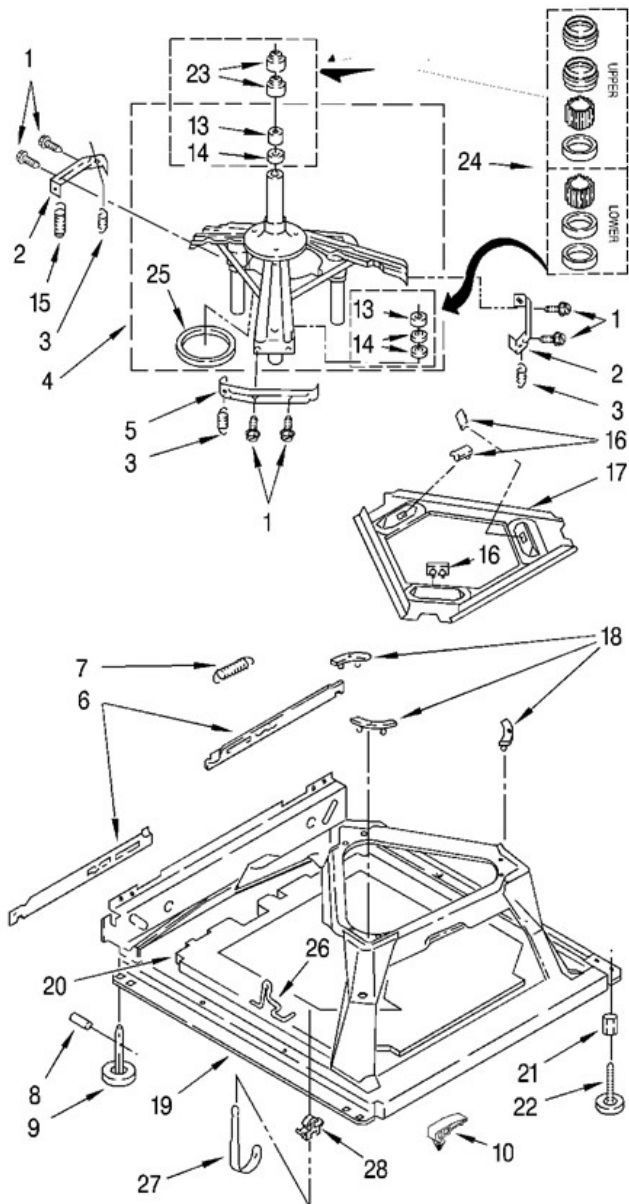


Distribuidor Autorizado

SurteRápido.com

Venta de Refacciones
Electrodomesticas

Lavadora Whirlpool 7MGSX9885JQ0

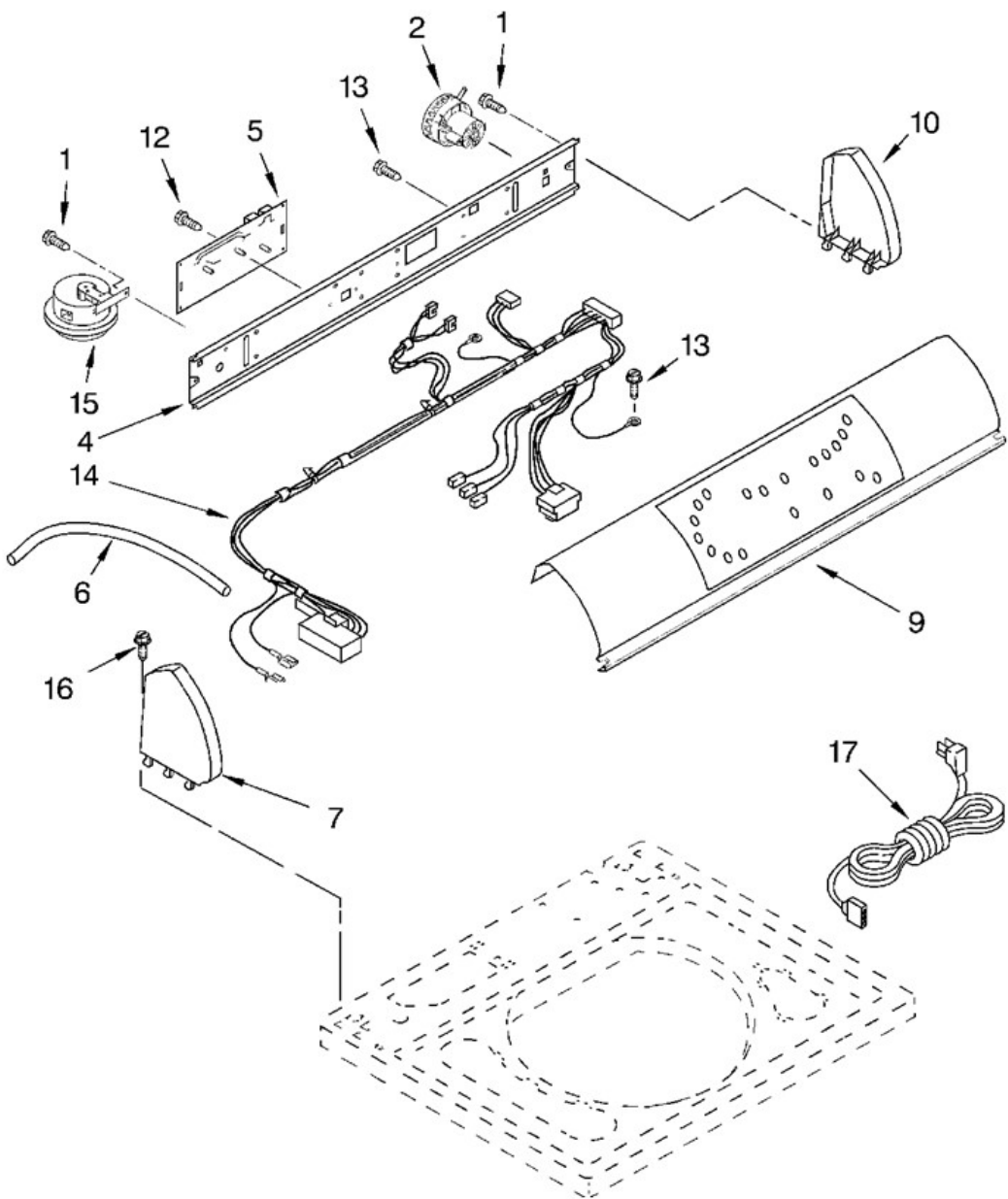


Distribuidor Autorizado

SurteRápido.com

Venta de Refacciones
Electrodomesticas

Lavadora Whirlpool 7MGSX9885JQ0



Distribuidor Autorizado

SurteRápido.com

Venta de Refacciones
Electrodomesticas



Lavadora Whirlpool 7MGSX9885JQ0

PANEL POSTERIOR

1	HOSE, DRAIN (4 FT.)	3951609
1A	HOSE, DRAIN (9 FT.) (NOT INCLUDED.)	661577
1B	HOSE, DRAIN (4 FT.), EXTENSION,	3357090
2	CLAMP, HOSE	3366912
3	DRAPE, REAR PANEL	8282565
4	CLIP, DRAPE	8282566
5	BRACKET, VALVE MTG	3976335
6	HOSE, 2-WAY	3358564
7	CONNECTOR, HOSE	3976337
8	HOSE, CLAMP	370445
9	HOSE, PUMP TO 2-WAY VALVE	3358562
10	VALVE, 2-WAY	3358559
12	HINGE, CONSOLE (2)	387402
13	SHIELD, 2-WAY	3948552
15	RELIEF, STRAIN (POWER CORD)	3952821
16	HOSE, AIRDOME	8055233
17	AIRDOME ASSEMBLY	8317889
18	CLIP, AIRDOME	98084
19	HOSE, 2-WAY VALVE TO AIRDOME	8054709
20	SWITCH, KICKOUT	8283252
21	CLAMP, HOSE	3363365
23	CLIP, HOSE (2) (RECIRCULATING)	8054659
24	VALVE, INLET	8271904
25	HOSE, DETERGENT	8271982
26	CLAMP, HOSE	8055019
27	CLAMP, HOSE	301958

Distribuidor Autorizado

SurteRápido.com

Venta de Refacciones
Electrodomesticas



Lavadora Whirlpool 7MGX9885JQ0

PANEL POSTERIOR

28	HOSE, BLEACH	8271984
29	CLAMP, HOSE	371503
30	CLAMP, HOSE	371501
31	HOSE, FABRIC SOFTENER	8271983
32	CLAMP, HOSE	9724997
33	CLAMP, HOSE	371506
34	CHECK VALVE, DUCK BILL	8055306
35	HOSE, FRESH FILL	8271981
37	CLAMP, DRAIN HOSE	370449
38	BRACKET, VALVE	8271909
41	CLIP, HARNESS & PRESSURE HOSE	8055003
42	CLIP, HARNESS	8054658
43	CLIP, PUSH-IN	3352944
44	CLIP, HARNESS	3347812
45	PANEL, REAR	8282493
49	PAD, REAR PANEL (2)	62747
50	SUPPORT, REAR PANEL	63290
51	WASHER, INLET HOSE	3976300
52A	HOSE, WATER INLET, BLUE COUPLER	3949374
52B	HOSE, WATER INLET, RED COUPLER	3949375
53	SHIELD, UPPER VALVE (INCL. #54 & #60)	8280536
54	RIVET, PLASTIC	356907
55	CLAMP, HOSE	660628
56	CLAMP, HOSE	371504
57	HOSE, TUB TO PUMP	8055063
58	CLAMP, HOSE	3366913

Distribuidor Autorizado

SurteRápido.com

Venta de Refacciones
Electrodomesticas



Lavadora Whirlpool 7MGSX9885JQ0

PANEL POSTERIOR

59	EDGE PROTECTOR	303294
60	SHIELD, SPLASH VALVE	8272150
65	NOZZLE, DRAIN HOSE	3357027

GABINETE

2A	TOP, WHITE	8274365
3	SPACER, CABINET TO TOP	62750
4	CABINET -SOUND DAMPER	3349654
5A	CABINET, WHITE	8280604
6	CLIP, TOP & CABINET & REAR PANEL (2)	62780
7	CABINET -SOUND ABSORBER	8054736
9	LID SPRING (INCLUDES # 10)	384463
10	PLUG, BUTTON	54690
11	SWITCH, LID	8054980
12	SPLASH SHIELD ASSEMBLY	8271956
14	PAD, HINGE	21097
15	HINGE, LID (LEFT)	8055257
16	HINGE, LID (RIGHT)	8055256
17	BEARING, LID HINGE (2)	21258
18	BUMPER, LID HINGE	19119
19A	LID, WHITE	8274362
20	CLIP, WIRE	357144
21	SEAL, LID	8054939
22	CLAMP, HOSE	371505
24	RIVET, SHIELD	8280537
25	SHIELD, SPILL	8272149
27	DISPENSER, BLEACH & FABRIC SOFTENER	8055237

Distribuidor Autorizado

SurteRápido.com

Venta de Refacciones
Electrodomesticas



Lavadora Whirlpool 7MGSX9885JQ0

GABINETE		
28	NUT, PUSH-IN	357213
29	COVER, DISPENSER	8272009
30	DISPENSER, DETERGENT	8055238
31	CONNECTOR, 2-PORT	8055243
32	HOSE, FABRIC SOFTENER	8055266
33	CLAMP, HOSE	371506
34	HOSE, DETERGENT	8055267
35	CLAMP, HOSE	301958
36	CONNECTOR, VENTURI	8272010
37	HOSE, BLEACH	8283537
39	RESTRAINT	8271943
41	COVER, HOSE DISCONNECT	8055247
AGITADOR, TINA Y CANASTA		
1	CAP, AGITATOR	3355758
3	CAM-DRIVEN	3951682
4	BEARING-DRIVEN CAM	3952374
5	DOG-AGITATOR	3366877
6	AGITATOR	3951632
7	AGITATOR ASSEMBLY (COMPLETE)	3951744
8	TUB RING ASSEMBLY	8054685
9	SEAL, TUB RING	8054355
10	BASKET (ALSO ORDER #12)	3951984
11	NUT, SPANNER	21366
12	PLATE, FILTER	3952746
13	TUB	8055061
14	CLOTHES MOVER	3363003

Distribuidor Autorizado

SurteRápido.com

Venta de Refacciones
Electrodomesticas



Lavadora Whirlpool 7MGX9885JQ0

AGITADOR, TINA Y CANASTA

15	BLOCK, BASKET DRIVE	389140
16	GASKET, CENTERPOST	383727
17	HOSE, PRESSURE SWITCH	8054711
19	SPACER-THRUST	3951608
20	ABSORBER, SOUND (TUB)	8055271
21	WASHER	3949550
22	CAP, BARRIER	3354733
23	SEAL, INNER CAP	3348855
24	SHIELD, SPLASH	8055082
25	CLAMP, HOSE	370450
26	CLIP, ABSORBER	8055272
27	STRAP, ABSORBER	8055273
28	RETAINER, PUSH-IN	3351189
29	BALANCE RING	8271897

FRENO Y TRANSMISIÓN

1	BRAKE & DRIVE TUBE	388952
2	WASHER, SPIN TUBE THRUST	63292
3	RING, SPIN TUBE SUPPORT	62697
4	RING, RETAINER	63283
5	CLUTCH (COMPLETE)	3951311
6	BAND & LINING, CLUTCH (INC. 7 & 8)	3951308
7	CAP, CLUTCH SPRING	62646
8	SPRING, CLUTCH	3946792
9	GEARCASE (COMPLETE)	3360630
11	PLATE, MOTOR MOUNT TO GEARCASE	62611
12	GROMMET, MOTOR (4)	62691

Distribuidor Autorizado

SurteRápido.com

Venta de Refacciones
Electrodomesticas

Lavadora Whirlpool 7MGSX9885JQ0

FRENO Y TRANSMISIÓN

13	COUPLING, MOTOR	3364002
14	SHIELD, MOTOR	3946532
15	SHIELD, SPLASH (MOTOR)	8282581
17	RETAINER, MOTOR (2)	3349637
18	SHIELD, TUB TO MOTOR	8054680
19	MOTOR, MAIN DRIVE	3352287
20	SWITCH, MAIN DRIVE MOTOR	62851
21	RETAINER, PUMP (2)	62700
22	PUMP (COMPLETE)	3363394
26	CLIP, ANTI-RATTLE	3355454
27	CAPACITOR, MOTOR START	661605
29	CLAMP, CAPACITOR	357030

SUSPENSIÓN

2	BRACKET, SPRING OUTER (2)	8282552
3	SPRING, SUSPENSION (3)	63907
4	SUPPORT & BRAKE, TUB	3362087
5	BRACKET, SPRING OUTER (L.F.)	8282550
6	LINK, LEVELING MECHANISM (2)	63466
7	SPRING, LEVELING MECHANISM	62597
8	PIN, KNURLED	62837
9	FOOT, REAR (2)	62596
10	CLIP, SOUND BOARD (2)	3976276
13	BEARING, CENTERPOST (2)	3347047
14	SEAL, CENTERPOST (3)	357409
15	SPRING, COUNTERWEIGHT	388492
16	PAD, PLATE	62568

Distribuidor Autorizado

SurteRápido.com

Venta de Refacciones
Electrodomesticas



Lavadora Whirlpool 7MG SX9885JQ0

SUSPENSIÓN		
17	PLATE, SUSPENSION	3946509
18	PAD, BASE	3363660
19	BASE ASSEMBLY	3946512
20	SOUND ABSORBER	8283230
21	NUT, 3/8-16	3359452
22	FOOT, FRONT (2)	389102
23	SEAL, CENTERPOST (2)	356934
24	CENTERPOST BEARING KIT	285203
25	RING, SOUND DEADENING	63134
26	RETAINER, SUSPENSION SPRING (3)	63806
27	HANGER, DRAIN HOSE	8271703
28	CLIP, SNAP-IN (DRAIN HOSE)	3350282
PANEL DE CONTROL		
2	SWITCH, PRESSURE	8054764
4	BRACKET, CONTROL	8274302
5	CONTROL, ELECTRONIC	8526076
6	HOSE, STATIC PRESSURE SWITCH	8055239
7	CAP, END (L.H.), WHITE	8271365
9	PANEL, CONSOLE, WHITE	8274396
10	CAP, END (R.H.), WHITE	8271359
14	HARNES, WIRING	3954172
15	TRANSDUCER, PRESSURE	8299559
17	CORD, POWER	3948063