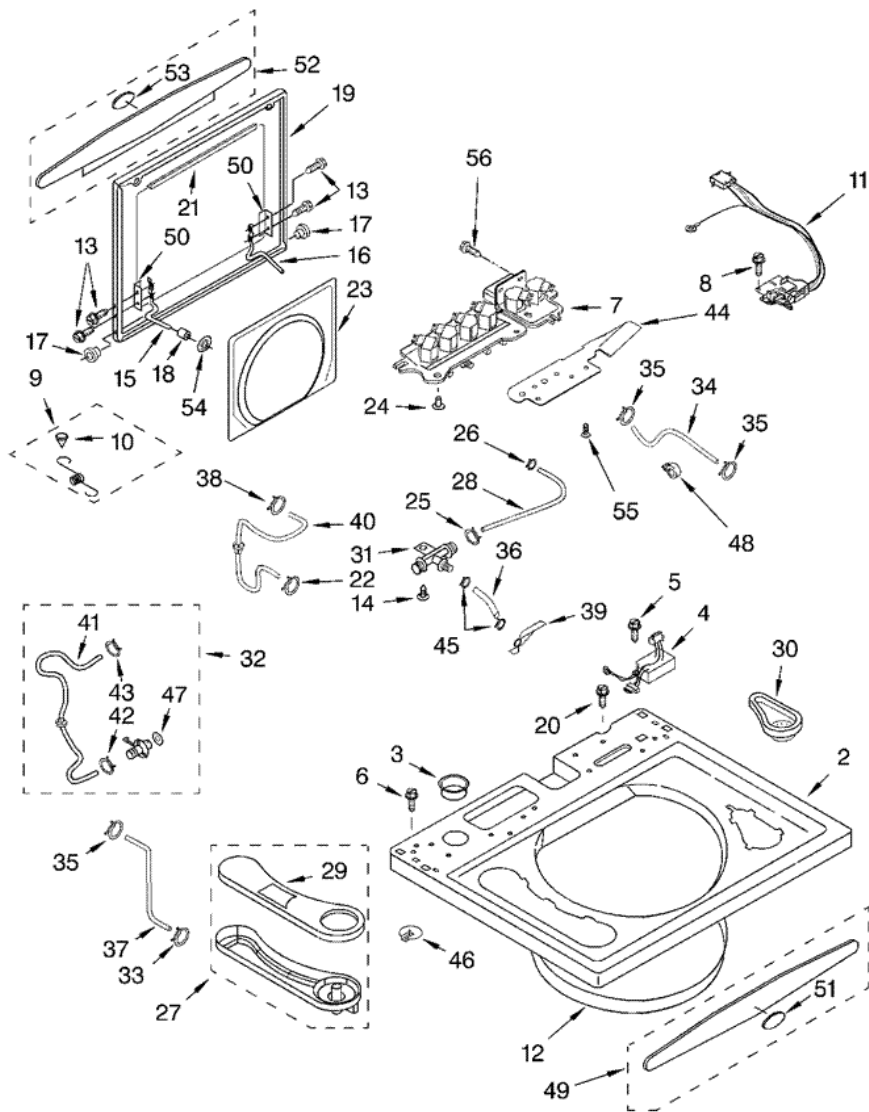


Distribuidor Autorizado

SurteRápido.com

Venta de Refacciones
Electrodomesticas

7MGVW9959KL2 CUBIERTA





7MGVW9959KL2 CUBIERTA

2	8318130	TOP (WHITE) (S/P)
2	8318132	TOP (PEWTER) (S/P)
3	8300010	BUSHING, HARNESS (S/P)
4	8528338	FILTER, LINE (S/P)
5	1166054	SCREW, 8-18 X 5/8 (S/P)
6	3351614	SCREW, 10-24 X 3/8 (S/P)
7	9724754	VALVE, WATER INLET (S/P)
8	3400611	SCREW, LID SWITCH (S/P)
9	384463	LID SPRING (INCLUDES 10) (S/P)
10	54690	PLUG, BUTTON (S/P)
11	8272124	SWITCH, LID
12	8055191	SPLASH SHIELD ASSEMBLY (S/P)
13	355274	SCREW, LID HINGE MOUNTING (4) (S/P)
14	8282566	CLIP, PINE TREE (S/P)
15	8055257	HINGE, LID (LEFT) (S/P)
16	8055256	HINGE, LID (RIGHT) (S/P)
17	8319539	BEARING, LID HINGE (2) (S/P)
18	19119	BUMPER, LID HINGE (S/P)
19	*****	LID ASSEMBLY (S/P)
20	697776	SCREW, 10-32 X 5/8 (S/P)
21	8054939	SEAL, LID
22	596669	CLAMP, HOSE (S/P)
23	8538441	LID, INNER (S/P)
24	8299698	CLIP, TWO STAGE DESCONTINUADO
25	596669	CLAMP, HOSE (S/P)
26	596669	CLAMP, HOSE (S/P)
27	8055022	DISPENSER, BLEACH & FABRIC SOFTENER (S/P)
28	8054366	HOSE, DIVERTER TO VENTURI (S/P)
29	8272009	COVER, DISPENSER (S/P)
30	8571812	DISPENSER, DETERGENT (S/P)
31	8055168	VENTURI (S/P)
32	8542373	NOZZLE ASSEMBLY (BLEACH) (S/P)
33	596669	CLAMP, HOSE (S/P)

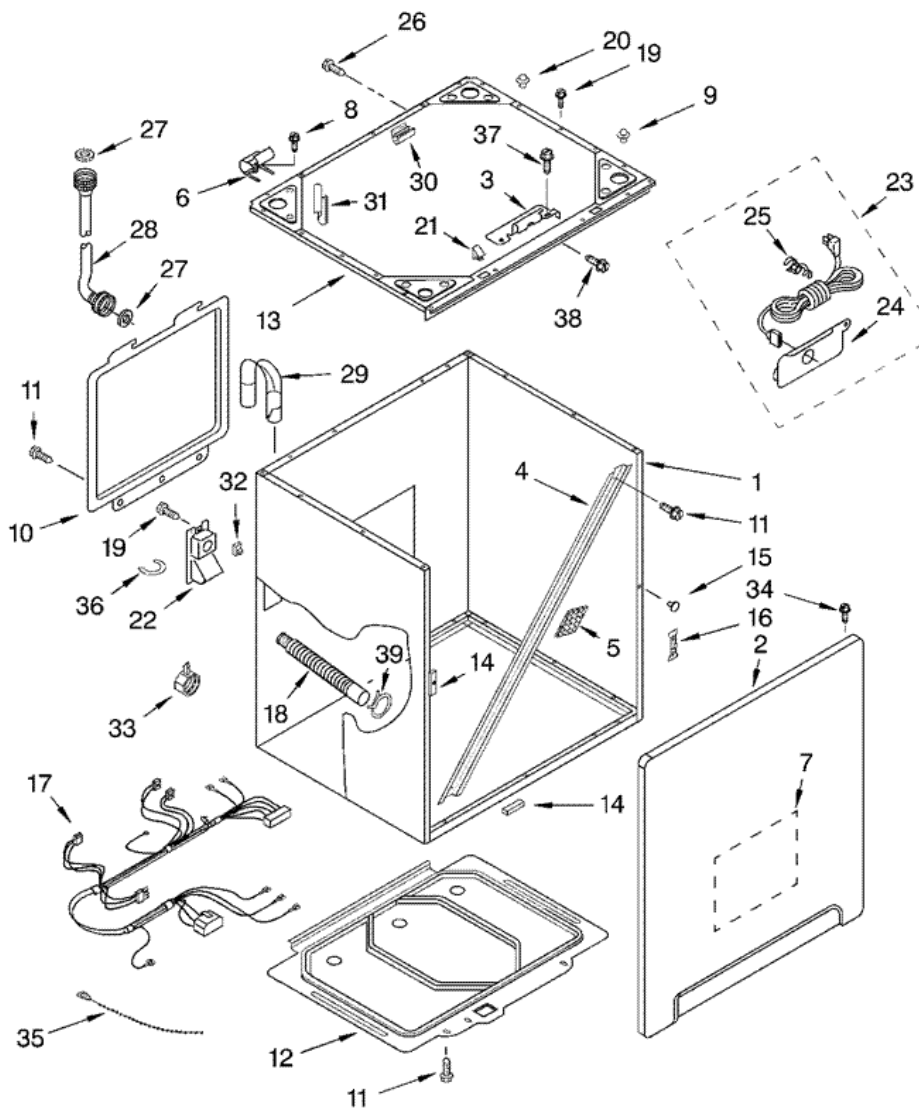
34	8530273	HOSE, DETERGENT (S/P)
35	596669	CLAMP, HOSE (S/P)
36	8538442	HOSE, VENTURI TO BLEACH (S/P)
37	8054365	HOSE, FABRIC SOFTENER (S/P)
38	596669	CLAMP, HOSE (S/P)
39	8271943	RESTRAINT (S/P)
40	8316761	HOSE, FRESH RINSE (S/P)
41	8316762	HOSE, TUB TO VENTURI (S/P)
42	596669	CLAMP, HOSE (S/P)
43	596669	CLAMP, HOSE (S/P)
44	8529937	SHIELD, SPLASH (S/P)
45	596669	CLAMP, HOSE (S/P)
46	8519201	SHIELD, GROUND SCREW (S/P)
47	8563776	GASKET, BLEACH NOZZLE (S/P)
48	3348535	CLIP, PUSH IN (S/P)
49	8527687	MEDALLION ASSEMBLY (PEWTER) (S/P)
49	8527686	MEDALLION ASSEMBLY (SAGE) (S/P)
50	21097	PAD, LID HINGE (2) (S/P)
51	8316751	MEDALLION INSERT (S/P)
52	8520850	HANDLE, LID (SAGE) (S/P)
52	8520851	HANDLE, LID (PEWTER) (S/P)
53	8519764	INSERT, HANDLE (S/P)
54	8532031	RING, RETAINING (S/P)
55	8530271	CLIP, SPLASH SHIELD (S/P)
56	489415	SCREW, 8-18 X 1 1/4 (S/P)

Distribuidor Autorizado

SurteRápido.com

Venta de Refacciones
Electrodomesticas

7MGVW9959KL2 GABINETE



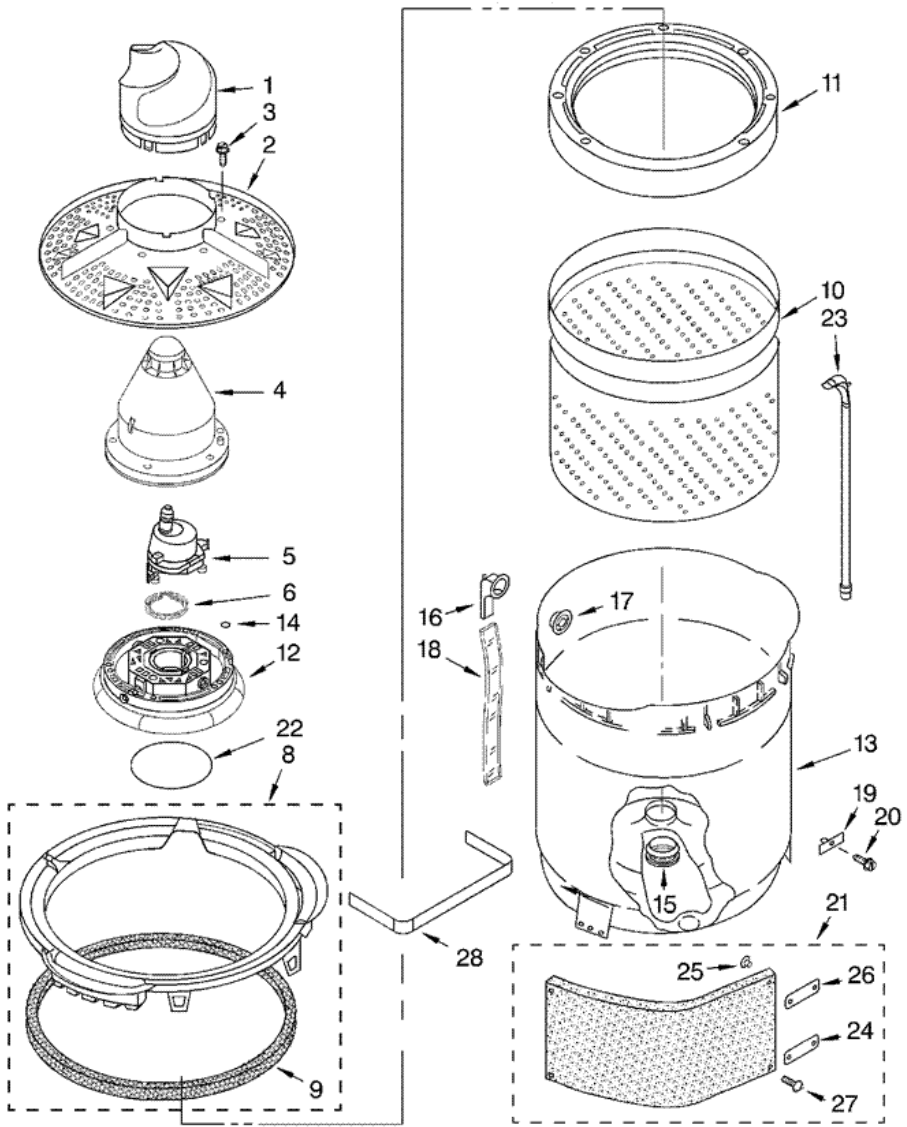


7MGVW9959KL2 GABINETE

1	8054490	CABINET (WHITE) (S/P)
1	8522247	CABINET (PEWTER) (S/P)
2	8318240	PANEL, FRONT (WHITE) (S/P)
2	8522246	PANEL, FRONT (PEWTER) (S/P)
3	8526005	BRACKET, TOP LOCK (S/P)
4	8283274	BRACE, CABINET (FRONT) (S/P)
5	8283273	DAMPER, BRACE (S/P)
6	8519823	HINGE, TOP TO PANEL DESCONTINUADO
7	8317308	PAD, FRONT PANEL (S/P)
8	3400085	SCREW, 10-32 X 1/2 (S/P)
9	8518891	RIVET (S/P)
10	8518896	PANEL, BACK (S/P)
11	357640	SCREW, 10-16 X 5/8 (S/P)
12	8283364	PAN, BOTTOM (S/P)
13	8054500	FRAME, CABINET (S/P)
14	8300022	SWITCH, MOTOR (2) (S/P)
15	8283353	SPACER, CABINET (S/P)
16	3394083	CLIP, FRONT PANEL
17	8299814	HARNESS, LOWER (INCLUDES 30) (S/P)
18	9724100	HOSE, DRAIN (S/P)
19	8281159	SCREW, 8-18 X 3/8 (S/P)
20	8271831	SPACER (S/P)
21	8318449	LOCK, TOP (FRONT) (S/P)
22	8532161	RETAINER, DRAIN HOSE (STORAGE) (S/P)
23	8541696	POWER CORD ASSEMBLY (S/P)
24	8283348	COVER, HARNESS (S/P)
25	285777	STRAIN RELIEF (S/P)
26	693995	SCREW, 8-18 X 3/8 DESCONTINUADO
27	16123	WASHER, INLET HOSE (S/P)
28	89503	HOSE, WATER INLET (BLUE COUPLER)
29	8528318	U-BEND, DRAIN HOSE (S/P)
30	8310651	CLIP, HARNESS (3) (S/P)
31	8528279	GUSSET, HARNESS (S/P)

32	692400	NUT, PUSH-IN (S/P)
33	9724675	CLIP, DRAIN HOSE (S/P)
34	3400891	SCREW, 8-18 X 1/2 (S/P)
35	3347868	CABLE TIE (BEADED) (S/P)
36	8318208	RETAINER, DRAIN HOSE DESCONTINUADO
37	8281212	SCREW, 8-18 X 3/8 (S/P)
38	3400811	SCREW, 8-18 X 1.187 (S/P)
39	285655	CLAMP, HOSE (S/P)

7MGVW9959KL2 TINAS





7MGVW9959KL2 TINAS

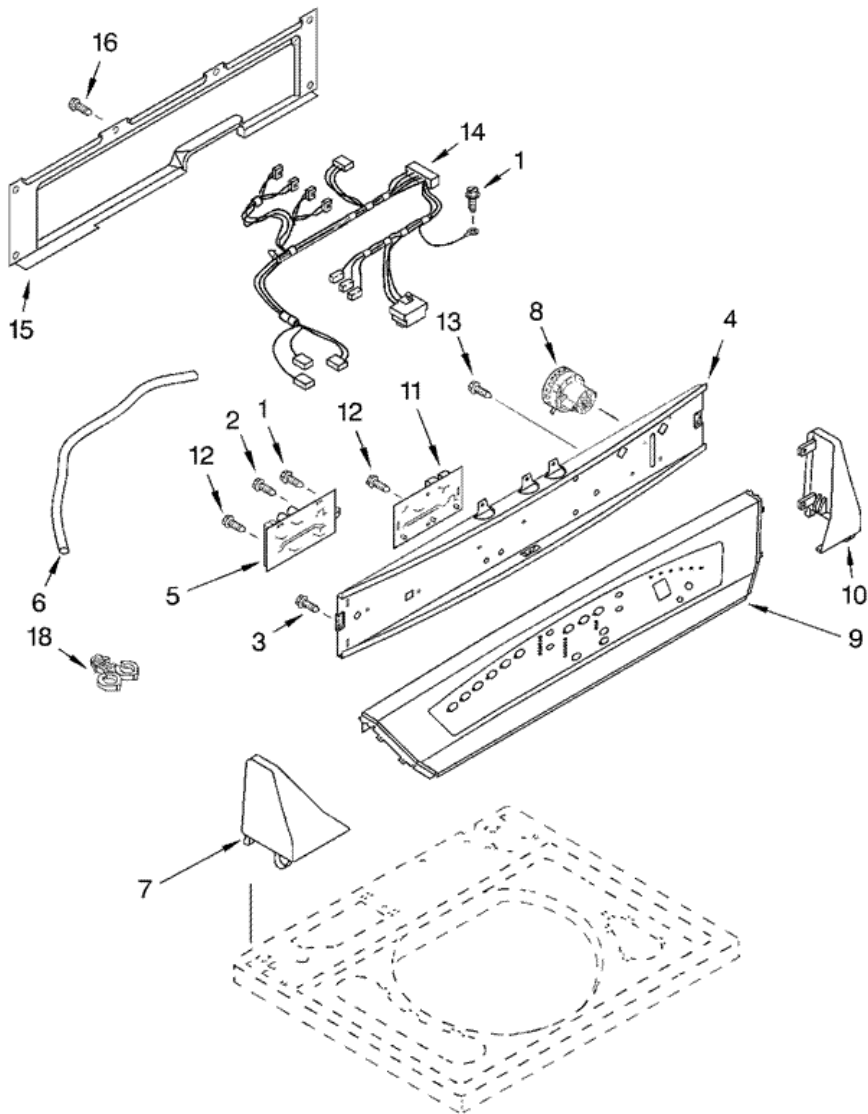
1	285908	DOME, WASHPLATE (S/P)
2	285911	WASHPLATE (OUTER) (S/P)
3	8282519	BOLT (S/P)
4	285927	WASHPLATE (INNER) (S/P)
5	285910	LEVELER (S/P)
6	8520855	NUT, LOCK (S/P)
8	280226	TUB RING ASSEMBLY (S/P)
9	8054355	SEAL, TUB RING (S/P)
10	285913	BASKET (S/P)
11	9724323	BALANCE RING (S/P)
12	285927	U-JOINT (S/P)
13	8529943	TUB (S/P)
14	285842	WASHER (S/P)
15	8055288	GASKET CENTERPOST (S/P)
16	8283307	TUBE, OVERFLOW (S/P)
17	8283308	PLUG, OVERFLOW (S/P)
18	8055135	BAG, OVERFLOW (S/P)
19	9724609	CLIP, TUB RETAINER (4) (S/P)
20	8281145	SCREW (S/P)
21	8541606	ABSORBER, SOUND (TUB) DESCONTINUADO
22	285842	SEAL, O-RING (2.5 X 85 MM) (S/P)
23	8054989	TUBE, WATER RECIRCULATION (S/P)
24	8055280	STRAP, ABSORBER (LOWER) (S/P)
25	8055272	CLIP, ABSORBER (S/P)
26	8055273	STRAP, ABSORBER (UPPER) (S/P)
27	3351189	RETAINER, PUSH-IN (S/P)
28	8318231	SHIELD, SPLASH (TUB RING) (S/P)

Distribuidor Autorizado

SurteRápido.com

Venta de Refacciones
Electrodomesticas

7MGVW9959KL2 TABLERO

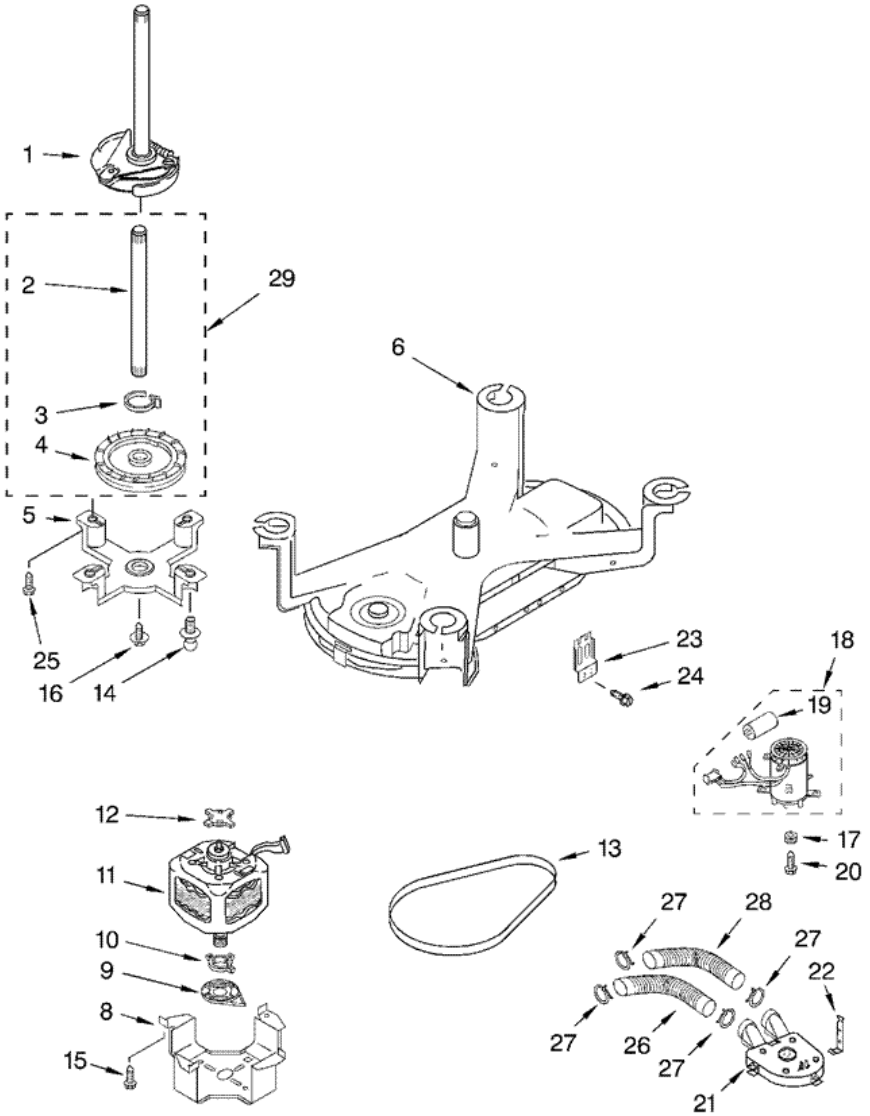




7MGVW9959KL2 TABLERO

1	3428971	SCREW, 10-24 X 3/8 (S/P)
2	488911	SCREW, 6-20 X 3/8 (S/P)
3	304231	SCREW, 8-16 X 1/2 (S/P)
4	8299690	BRACKET, CONTROL (S/P)
5	8541034	CONTROL, MOTOR (ELECTRONIC) (S/P)
6	353244	HOSE, PRESSURE SWITCH (2)
7	8532115	CAP, END (L.H.) (WHITE) (S/P)
7	8532116	CAP, END (L.H.) (PEWTER) (S/P)
8	8054766	SWITCH, PRESSURE (S/P)
9	8532067	PANEL, CONSOLE (PEWTER) (S/P)
9	8532066	PANEL, CONSOLE (PEARL) (S/P)
10	8532113	CAP, END (R.H.) (WHITE) (S/P)
10	8532114	CAP, END (R.H.) (PEWTER) (S/P)
11	8557336	CONTROL, MACHINE (ELECTRONIC)
12	1166054	SCREW (S/P)
13	3372525	SCREW, 10-32 X 1/2 (S/P)
14	3957285	HARNESS, WIRING (S/P)
15	8299987	PANEL, REAR (CONSOLE) (S/P)
16	693995	SCREW, 8-18 X 5/8 DESCONTINUADO
18	8055297	CLIP, PRESSURE HOSE DESCONTINUADO

7MGVW9959KL2 MOTOR





7MGVW9959KL2 MOTOR

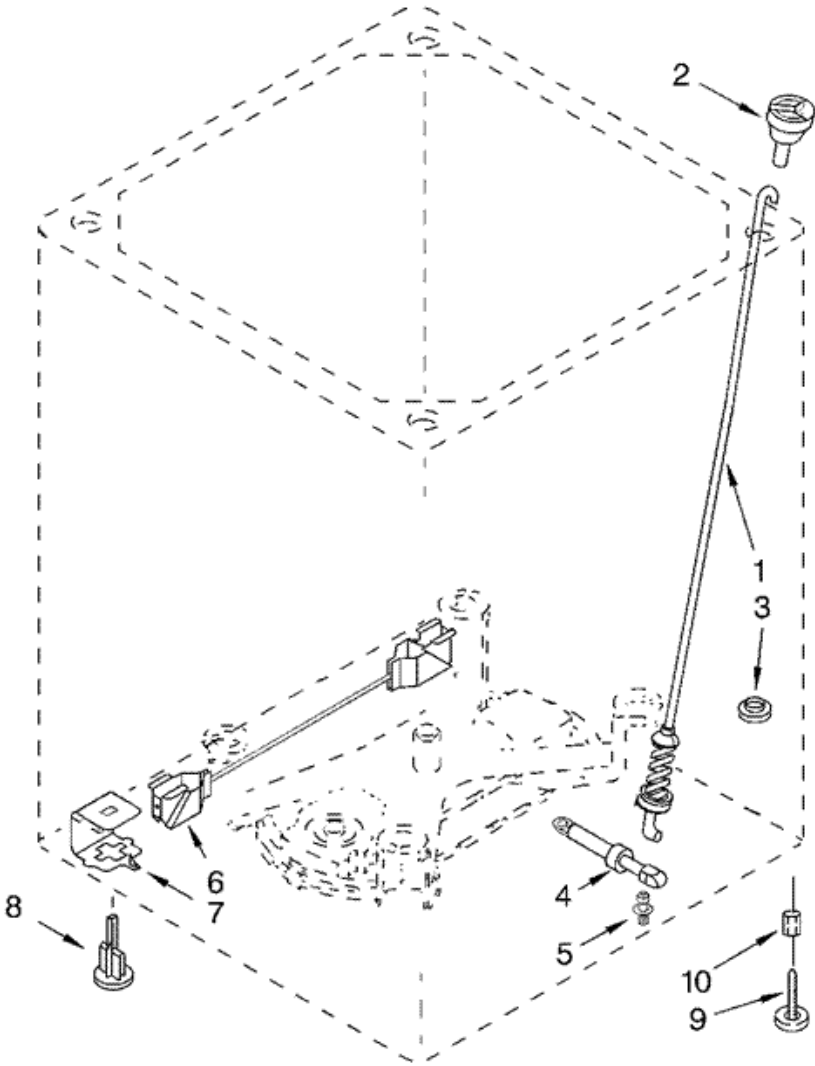
1	8271972	BRAKE & DRIVE TUBE (COMPLETE) (S/P)
2	8055094	SHAFT, WASHPLATE (S/P)
3	8055224	SPRING ASSEMBLY (SHIFT) (S/P)
4	8282498	PULLEY, DRIVE (S/P)
5	8055091	BEARING PLATE, LOWER DRIVE (S/P)
6	8054942	SUPPORT, TUB (S/P)
8	8283349	PLATE, MOTOR (S/P)
9	8054912	SOCKET, ISOLATOR (S/P)
10	8054996	ISOLATOR, MOTOR (LOWER) (S/P)
11	285917	MOTOR, MAIN DRIVE
12	8054913	ISOLATOR, MOTOR (UPPER) (S/P)
13	8562613	BELT, DRIVE
14	8272127	STUD, BALL (2) (S/P)
15	3400214	SCREW (S/P)
16	8055225	SCREW, 1/4 X 3/4 (S/P)
17	8283536	ISOLATOR, PUMP MOTOR (3) (S/P)
18	285990	MOTOR, PUMP (INCLUDES 19)
19	285990	CAPACITOR, PUMP MOTOR
20	3400206	SCREW (S/P)
21	285990	PUMP (COMPLETE)
22	8054967	RETAINER, PUMP (2) (S/P)
23	9725000	BRACKET, MOTOR CONNECTOR (S/P)
24	3390631	SCREW, 10-16 X 3/8 (S/P)
25	3400215	SCREW (S/P)
26	8054944	HOSE, TUB TO PUMP (INNER) (S/P)
27	616099	CLAMP, HOSE (4) (S/P)
28	8054988	HOSE, TUB TO PUMP (OUTER) (S/P)
29	8055089	PULLEY ASSEMBLY- DRIVE (COMPLETE) (S/P)

Distribuidor Autorizado

SurteRápido.com

Venta de Refacciones
Electrodomesticas

7MGVW9959KL2 SUSPENSION

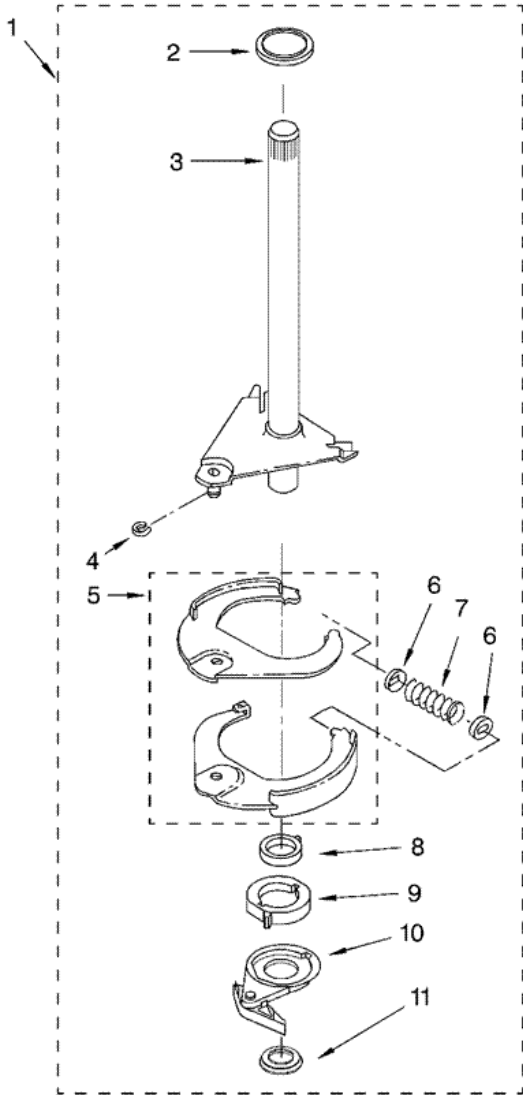




7MGVW9959KL2 SUSPENSION

1	285916	DAMPER ASM (4) (S/P)
2	8055179	BALL, SUSPENSION (UPPER) (S/P)
3	8054964	SOCKET, SUSPENSION (S/P)
4	9723335	STABILIZER, SUSPENSION (S/P)
5	8312710	STUD, BALL (2) (S/P)
6	8271819	LINK, LEVELING (S/P)
7	8054532	CLIP, LEVELING (2) DESCONTINUADO
8	8054747	FOOT, REAR (2) (S/P)
9	8281198	FOOT, FRONT (2) (S/P)
10	3359452	NUT, 3/8-16 (2) (S/P)

7MGVW9959KL2 FLECHA HUECA

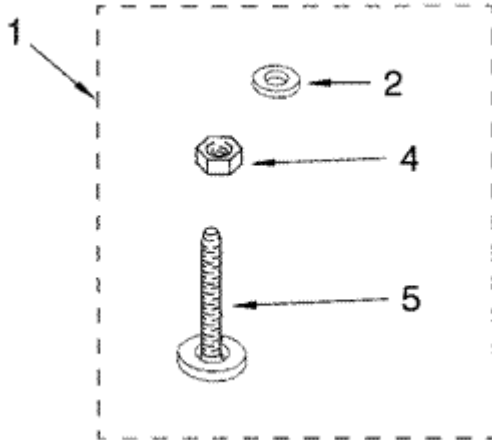




7MGVW9959KL2 FLECHA HUECA

1	8271972	TUBE ASSEMBLY (COMPLETE) (S/P)
2	9724189	RING, THRUST (S/P)
3	8318243	TUBE, SPIN (S/P)
4	W10083190	RING, ``E`` (S/P)
5	8271887	SHOE, BRAKE (S/P)
6	8055260	CAP, BRAKE SPRING (2) (S/P)
7	8271969	SPRING, BRAKE (S/P)
8	8055314	SLEEVE, CAM (S/P)
9	8546463	CAM, BRAKE RELEASE (S/P)
10	8054992	DRIVER, BRAKE CAM (S/P)
11	8282568	BEARING, THRUST (UPPER) (S/P)

7MGVW9959KL2 PATA



1	8529946	MISCELLANEOUS PARTS BAG DESCONTINUADO
2	16123	WASHER, INLET HOSE (1-1/16 X 5/8) (4) (S/P)
4	3359452	NUT, 3/8-16 (S/P)
5	8281198	FOOT (S/P)