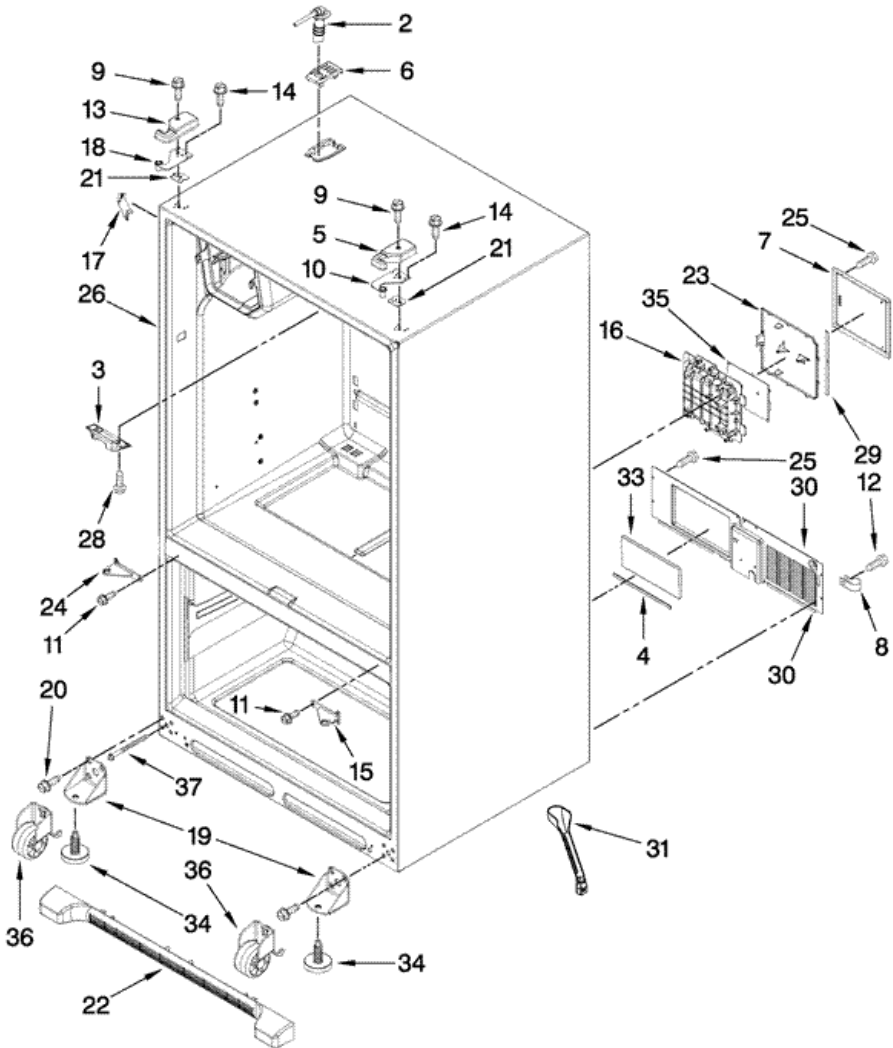


Distribuidor Autorizado

SurteRápido.com

Venta de Refacciones
Electrodomesticas

7MI2569VEM1 CABINET





7MI2569VEM1 CABINET

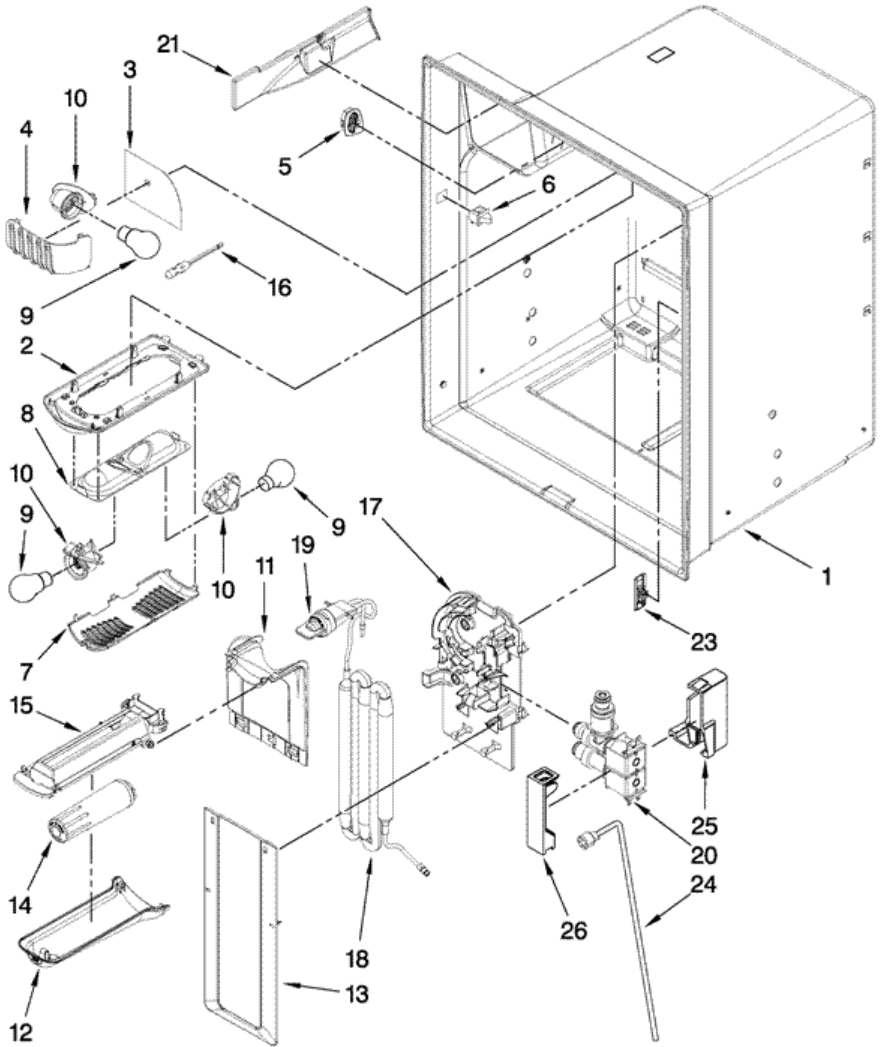
2	67006317	TUBE W/WATERLINE, FILL-IM (S/P)
3	67003405	BLOCK, PIVOT (S/P)
4	B5759655	GASKET, MC BACK (S/P)
5	12962302AP	COVER, TOP HINGE (RIGHT) (APOLLO GREY) (S/P)
6	12981401AP	COVER, FILL TUBE (APOLLO GREY) (S/P)
7	12961602	COVER, CONTROL BOX (S/P)
8	M0108107	CLAMP, TUBE (S/P)
9	12992602	SCREW, HINGE COVER (S/P)
10	12963205ED	HINGE, TOP RIGHT (S/P)
11	12992201	SCREW, CENTER HINGE (S/P)
13	W10191116	COVER, TOP HINGE (LEFT) (APOLLO GREY) (S/P)
14	12992403	SCREW, TOP HINGE (S/P)
15	13000002AP	HINGE, CENTER (RT) (APOLLO GREY) (S/P)
16	67006390	BOX, HV CONTROL (S/P)
17	12587703AP	COVER, CORNER (2) (APOLLO GREY) (S/P)
18	12963204ED	HINGE, TOP LEFT (S/P)
19	12906303WD	FOOT, CABINET (S/P)
20	12991302	SCREW (8) (S/P)
21	12999501	SHIM, TOP HINGE (LEFT) (S/P)
21	12999502	SHIM, TOP HINGE (RIGHT) (S/P)
22	W10244558	GRILLE, TOE (APOLLO GREY) (S/P)
23	12957701SP	LID, HV CONTROL (S/P)
24	13000001AP	HINGE, CENTER (LT) (APOLLO GREY) (S/P)
26	*****	CABINET (NOT A SERVICABLE PART)
28	12990302	SCREW, BLOCK (S/P)
29	67006429	GASKET, HV CONTROL (S/P)
30	W10270394	COVER, MC BACK (S/P)
31	W10210988	TUBE, DRAIN (S/P)
33	12820505	FIBER, ACOUSTIC (S/P)
34	67003868	BRAKE, FOOT (S/P)
35	W10310240	BOARD, HV CONTROL (S/P)
36	12580304	ROLLER ASSEMBLY (S/P)
37	67006611	BOLT, ROLLER ADJUST (S/P)

Distribuidor Autorizado

SurteRápido.com

Venta de Refacciones
Electrodomesticas

7MI2569VEM1 REFRIGERATOR LINER

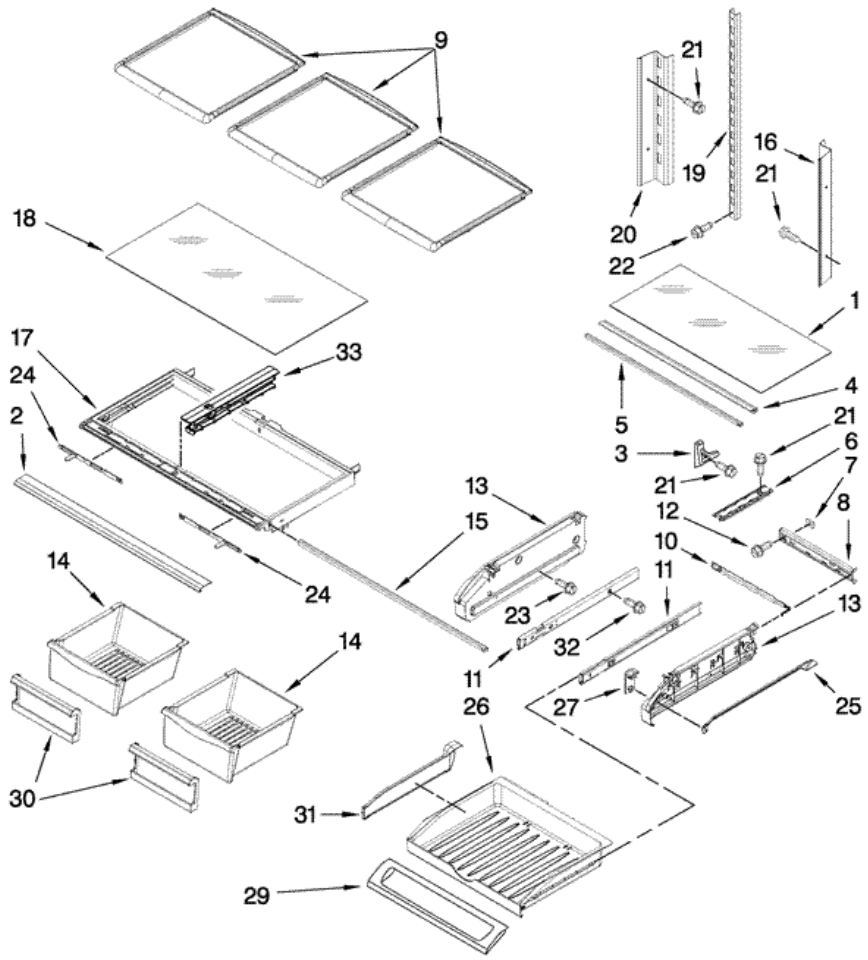




7MI2569VEM1 REFRIGERATOR LINER

1	*****	LINER (NOT A SERVICEABLE PART)
2	12905803	MODULE, LIGHT (S/P)
3	12691605	FOIL, LIGHT (S/P)
4	12921801	COVER, LIGHT (S/P)
5	13008201	GRILLE, AIR (S/P)
6	12466103	SWITCH, LIGHT (2) (S/P)
7	12905902	COVER, LIGHT (S/P)
8	12806601V	HOUSING, LIGHT (S/P)
9	W10194422V	BULB, LIGHT (S/P)
10	12570701	SOCKET, LIGHT (S/P)
11	12960101	COVER, WATER TANK (UPPER) (S/P)
12	12960301	LID, WATER FILTER (S/P)
13	12960001	COVER, WATER TANK (LOWER) (S/P)
14	UKF8001AXX	FILTER, WATER
15	12955901	BRACKET, FILTER BASE (S/P)
16	12002355	THERMISTOR (S/P)
17	12956001	BRACKET, WATER TANK & VALVE (S/P)
18	12956202	WATER TANK & HEAD ASSEMBLY (S/P)
19	12664501SP	PLUG, BYPASS (S/P)
20	12956102	VALVE, WATER INLET (S/P)
21	12960901	COVER, ICE BOX HARNESS (S/P)
23	12987301	COVER, CHILLER VENT (S/P)
24	12962204	WATERLINE, CABINET (W/NUT) (S/P)
25	W10118193	ENCLOSURE, WATER VALVE CONNECTOR (S/P)
26	W10118194	LID, ENCLOSURE (S/P)

7MI2569VEM1 SHELF

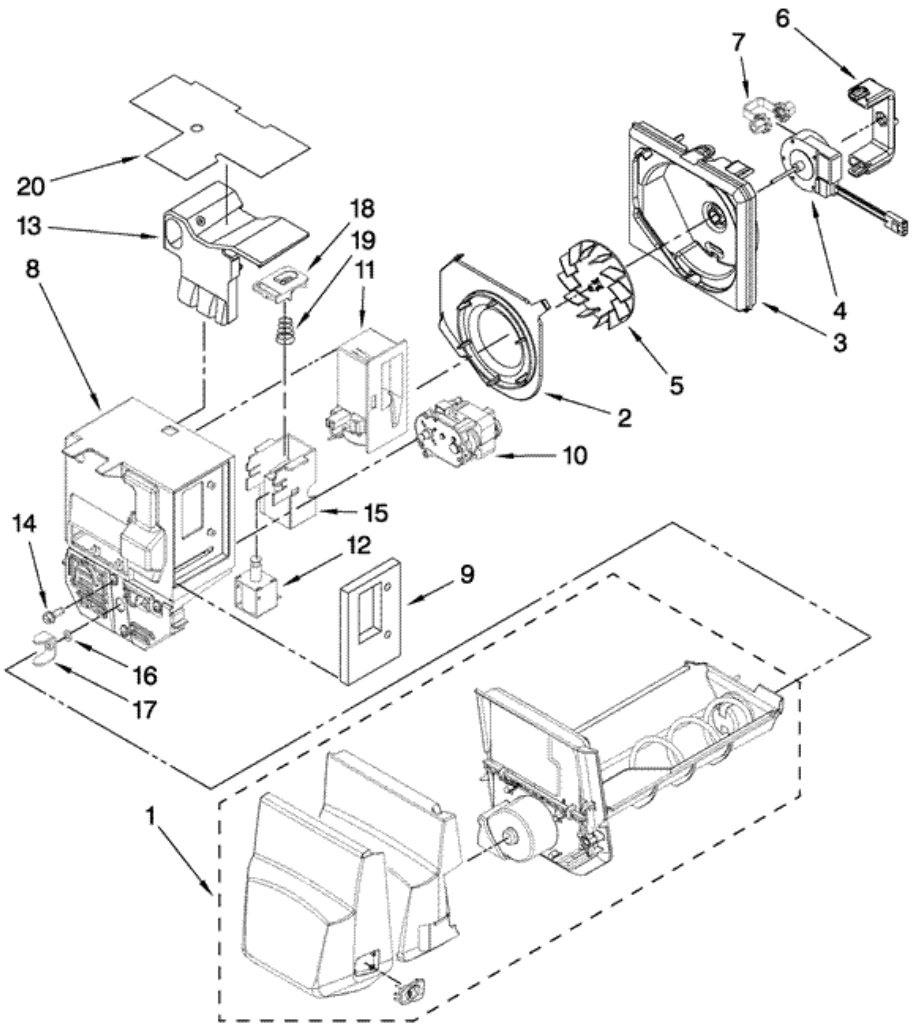




7MI2569VEM1 SHELF

1	67006704	GLASS, PANTRY (S/P)
2	W10231345	TRIM, CRISPER (S/P)
3	13062602	SUPPORT-CRISPER-2 (S/P)
4	67006010	SUPPORT, PANTRY(2) (S/P)
5	12227305WD	BRACE, PANTRY (2) (S/P)
6	67001719	TRACK, PANTRY (S/P)
7	67002324	GASKET, PANTRY (S/P)
8	12656202	HOUSING, CONTROL (S/P)
9	12883507	SHELF, GLIDE (3) (S/P)
10	67003793	SLIDE, TEMPERATURE (S/P)
11	67007026	GLIDE, DRAWER (2) (S/P)
12	12990513	SCREW (S/P)
13	12656019	ENDCAP, PANTRY (RIGHT) (S/P)
13	12656106	ENDCAP, PANTRY (LEFT) (S/P)
14	67004515	PAN, CRISPER (2) (S/P)
15	12642303WD	BRACE, CRISPER (S/P)
16	W10165909	LADDER, SIDE RH (S/P)
17	67003854	FRAME, CRISPER (S/P)
18	12204830	GLASS, CRISPER COVER (S/P)
19	67006358	LADDER, CENTER (S/P)
20	67005354	LADDER, SIDE (S/P)
21	12990513	SCREW (S/P)
22	12990515	SCREW (S/P)
23	12990512	SCREW (S/P)
24	67005864	SLIDE, HUMIDITY CONTROL (S/P)
25	67003795	BAR, TEMPERATURE CONTROL (S/P)
26	67003531	DRAWER, PANTRY (S/P)
27	67003791	KNOB, TEMPERATURE CONTROL (S/P)
29	67005903	LID-PANTRY (S/P)
30	67005923	FRONT-CRISPER (S/P)
31	67002759	DIVIDER, PANTRY (S/P)
32	12990504	SCREW (S/P)
33	67004514	RAIL-CENTER-CRSPR. (S/P)

7MI2569VEM1 MOTOR AND ICE CONTAINER

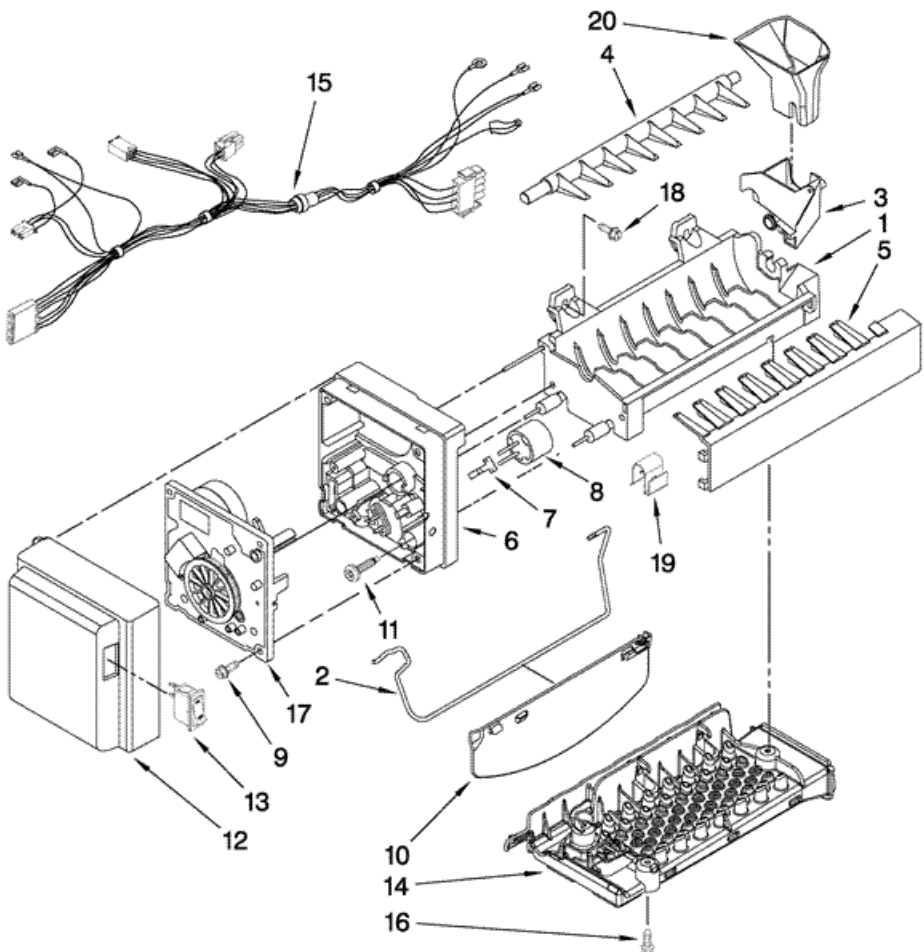




7MI2569VEM1 MOTOR AND ICE CONTAINER

1	13012611	ICE BIN ASSEMBLY (INCLUDES AUGER) (S/P)
2	W10121282	INLET, BLOWER (S/P)
3	W10121281	SCROLL, BLOWER (S/P)
4	W10162697	MOTOR, FAN (S/P)
5	W10123444	WHEEL, BLOWER (S/P)
6	W10165970	CLIP, FAN MOTOR (S/P)
7	W10151687	GROMMET, FAN MOTOR (S/P)
8	12958408SP	DIVIDER, ICE BOX (S/P)
9	67006341	GASKET, DAMPER (S/P)
10	12955405	MOTOR, AUGER (S/P)
11	W10127427	DAMPER, CONTROL (S/P)
12	67006344	SOLENOID (S/P)
13	W10118612	LINER, DIVIDER (S/P)
14	12990511	SCREW (3) (S/P)
15	67007111	BRACKET, SOLENOID (S/P)
16	67006346	WASHER (S/P)
17	63052A001	YOKE, ICE DISPENSER (S/P)
18	67006347	YOKE, SOLENOID (S/P)
19	67006348	SPRING, SOLENOID (S/P)
20	W10142628	FOIL, ICE BOX (S/P)

7MI2569VEM1 ICE MAKER

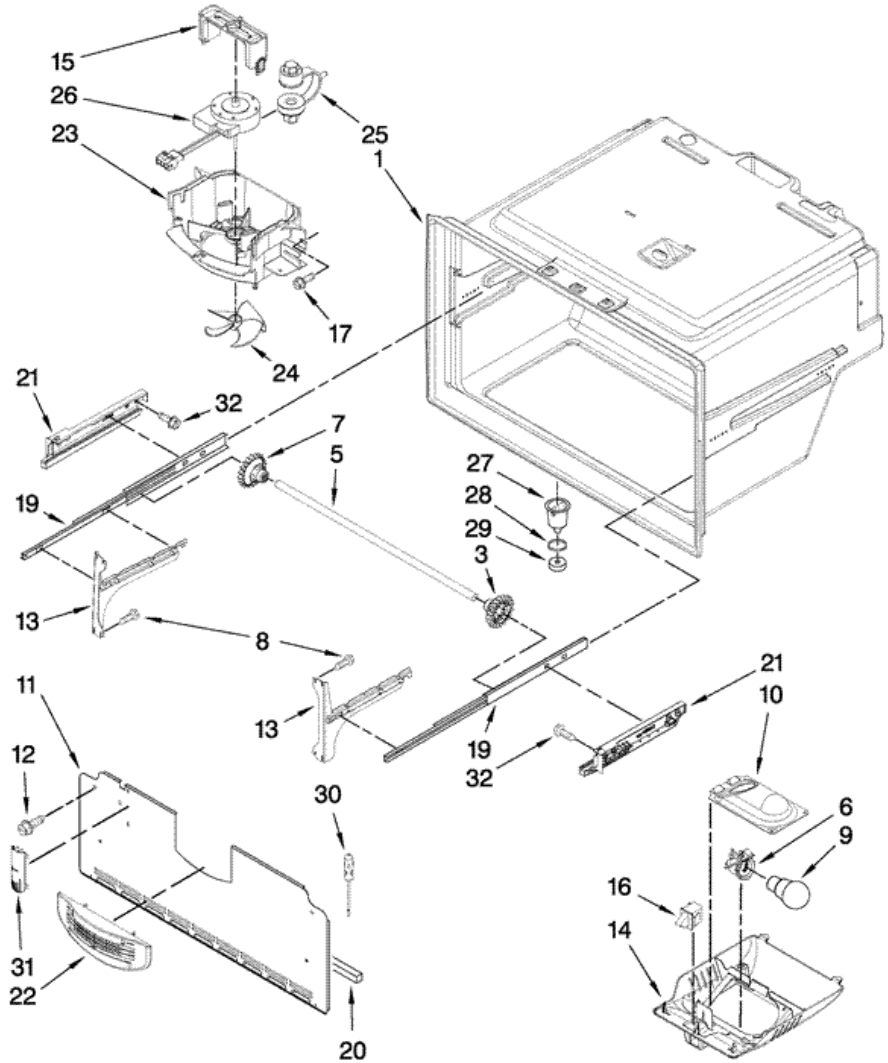




7MI2569VEM1 ICE MAKER

1	W10190929	MOLD & HEATER ASSEMBLY (S/P)
2	W10175514	ARM, SHUTOFF (S/P)
3	628515	CUP, FILL (S/P)
4	627843	EJECTOR (S/P)
5	2182124	ICE STRIPPER (S/P)
6	2195914	SUPPORT, HOUSING (S/P)
7	2315522	RETAINER, THERMOSTAT (S/P)
8	627985	THERMOSTAT (ALSO ORDER 542369 CEMENT)
9	489276	SCREW (3) (S/P)
10	W10121440	EXTENSION, SHUTOFF ARM (S/P)
11	8533917	SCREW (2) (S/P)
12	W10121444	COVER (S/P)
13	2313326	SWITCH, ON-OFF (S/P)
14	W10121269	IMPINGER ASSY. (S/P)
15	W10117806	HARNESS, ICEMAKER (S/P)
16	12990511	SCREW, IMPINGER (S/P)
17	8201515	MODULE ASSEMBLY (S/P)
18	489276	SCREW (3) (S/P)
19	628379	CLIP (S/P)
20	W10121434	INSERT, FILL CUP (S/P)
100	W10190981	ICEMAKER ASSEMBLY (S/P)
NI	10244904SP	COUPLING (S/P)

7MI2569VEM1 FREEZER LINER

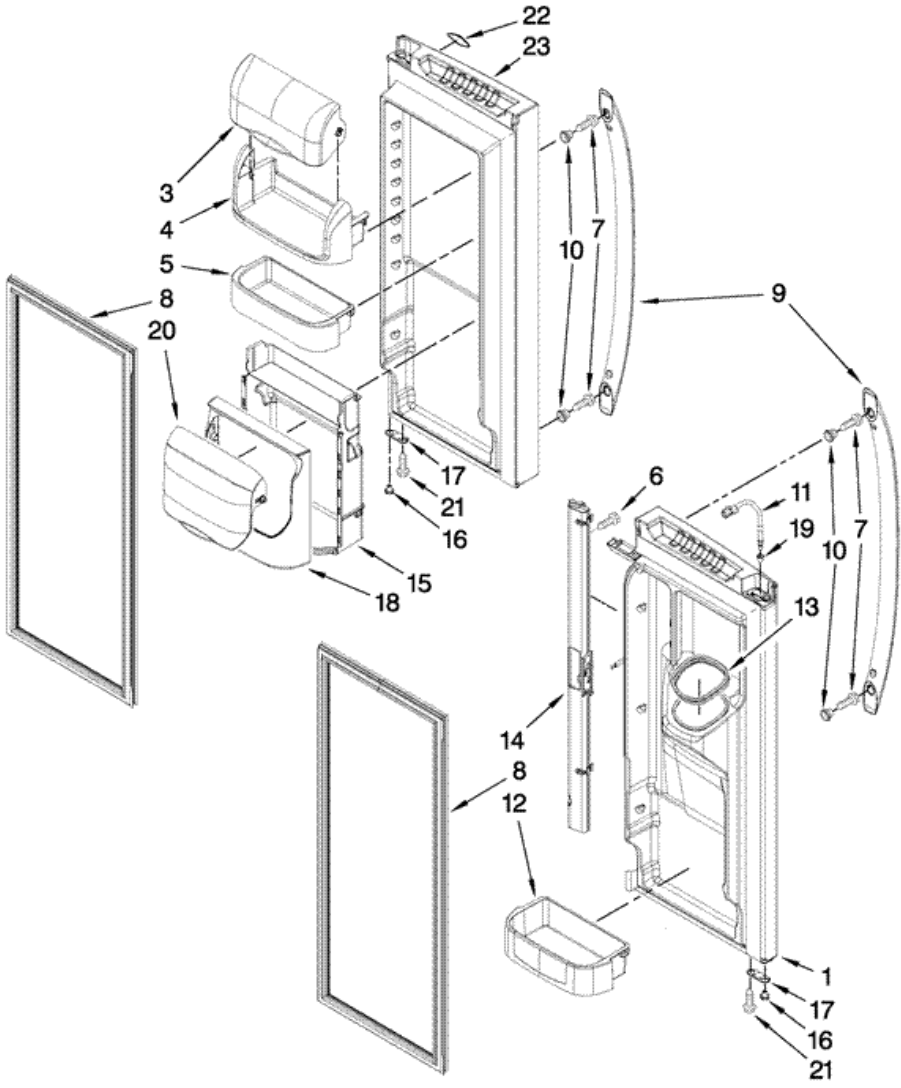




7MI2569VEM1 FREEZER LINER

1	*****	LINER (NOT A SEVICEABLE PART)
3	12002497	GEAR (LEFT) (S/P)
5	12812902WD	SHAFT, RACK (S/P)
6	W10134764	SOCKET, LIGHT (S/P)
7	12002497	GEAR, (RIGHT) (S/P)
8	12990521	SCREW, BRACKET (S/P)
9	W10194422	BULB, LIGHT (S/P)
10	67001035	HOUSING, LIGHT (S/P)
11	12935801	COVER, EVAP (S/P)
12	12990511	SCREW (S/P)
13	W10122147	BRACKET, DOOR SLIDE (LEFT) (S/P)
13	W10122148	BRACKET, DOOR SLIDE (RIGHT) (S/P)
14	67006423	MODULE, FREEZER LIGHT (S/P)
15	67006338	CLIP, FAN MOTOR (S/P)
16	12002646	SWITCH, ROCKER (S/P)
17	12990504	SCREW, FAN SHROUD TO BASKET (S/P)
19	W10120018	SLIDE, DRAWER (2) (S/P)
20	A3189396	GASKET, FOAM (S/P)
21	W10159938	ADAPTER (LEFT) (S/P)
21	W10159939	ADAPTER (RIGHT) (S/P)
22	67006382	GRILLE, AIR (S/P)
23	67006424	SHROUD, EVAP FAN (S/P)
24	67006337	BLADE, FAN (EVAPORATOR) DESCONTINUADO
25	67006339	GROMMET, FAN MOTOR (2) (S/P)
26	W10257096	MOTOR, EVAPORATOR FAN (S/P)
27	W10178188	FUNNEL, DRAIN (S/P)
28	M0500703	SEAL, O RING (S/P)
29	B8381501	GASKET, DRAIN TUBE (S/P)
30	12002355	THERMISTOR KIT (S/P)
31	67003924	COVER, THERMISTOR (S/P)
32	12990501	SCREW, ADAPTER (S/P)
NI	12952005SP	HARNESS FZ-LIGHT (S/P)

7MI2569VEM1 REFRIGERATOR DOOR

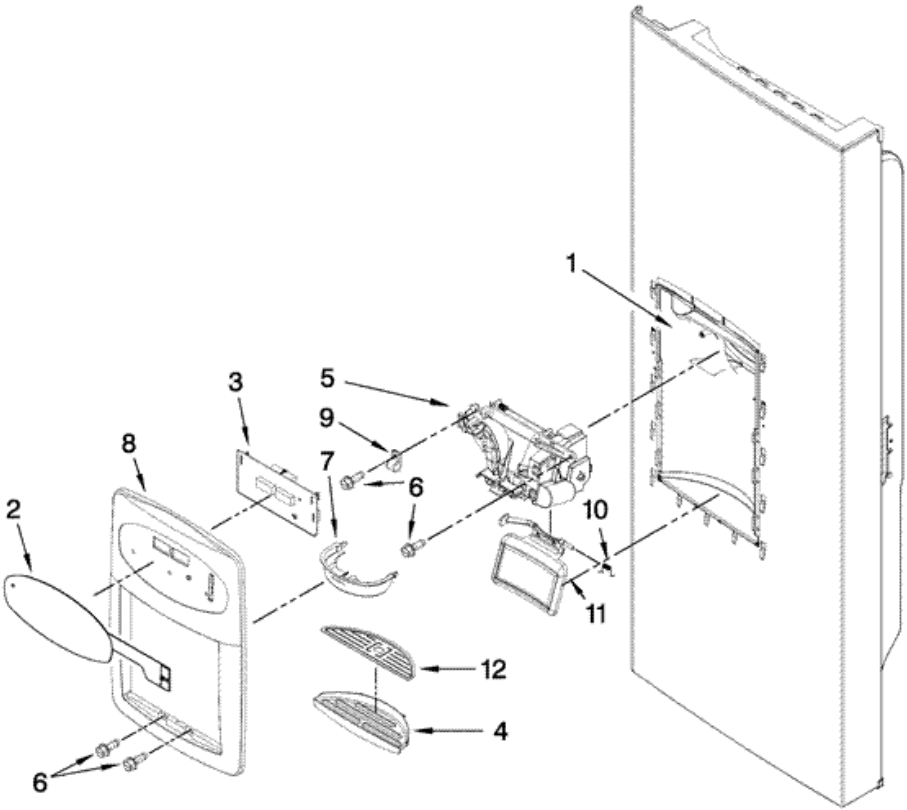




7MI2569VEM1 REFRIGERATOR DOOR

1	12978031SQ	DOOR, LEFT (MONO STAINLESS) (S/P)
3	67003637	DOOR, DAIRY (S/P)
4	67001279	TRAY, DAIRY (S/P)
5	67006313	BIN, SHELF (CHILLER TOP) (S/P)
6	12990513	SCREW (S/P)
7	12991703	SCREW, HANDLE (S/P)
8	W10163991	GASKET, DOOR (RIGHT DOOR) (APOLLO GREY) (S/P)
9	W10136871	DOOR HANDLE (STAINLESS) (S/P)
10	67006113	MOUNT, HANDLE (S/P)
11	12962106	WATERLINE, DOOR (S/P)
12	12840004	BIN, SHELF (GALLON) (S/P)
13	67007108	SEAL, ICE CHUTE (S/P)
14	12722813APK	MULLION, DOOR (APOLLO GREY) (S/P)
15	67006315	FRAME, CHILLER (REAR) (S/P)
16	12028505AP	CLOSURE, DOOR (APOLLO GREY) (S/P)
17	W10191119	STOP, DOOR (APOLLO GREY) (S/P)
18	67006314	FRAME, CHILLER (FRONT) (S/P)
19	67005954	CLIP, BUSHING WIRE (LEFT DOOR) (S/P)
20	67006312	DOOR, CHILLER (S/P)
21	12990521	SCREW (S/P)
22	W10170766	NAMEPLATE (S/P)
23	12978030SQ	DOOR, RIGHT (S/P)

7MI2569VEM1 DISPENSER FRONT

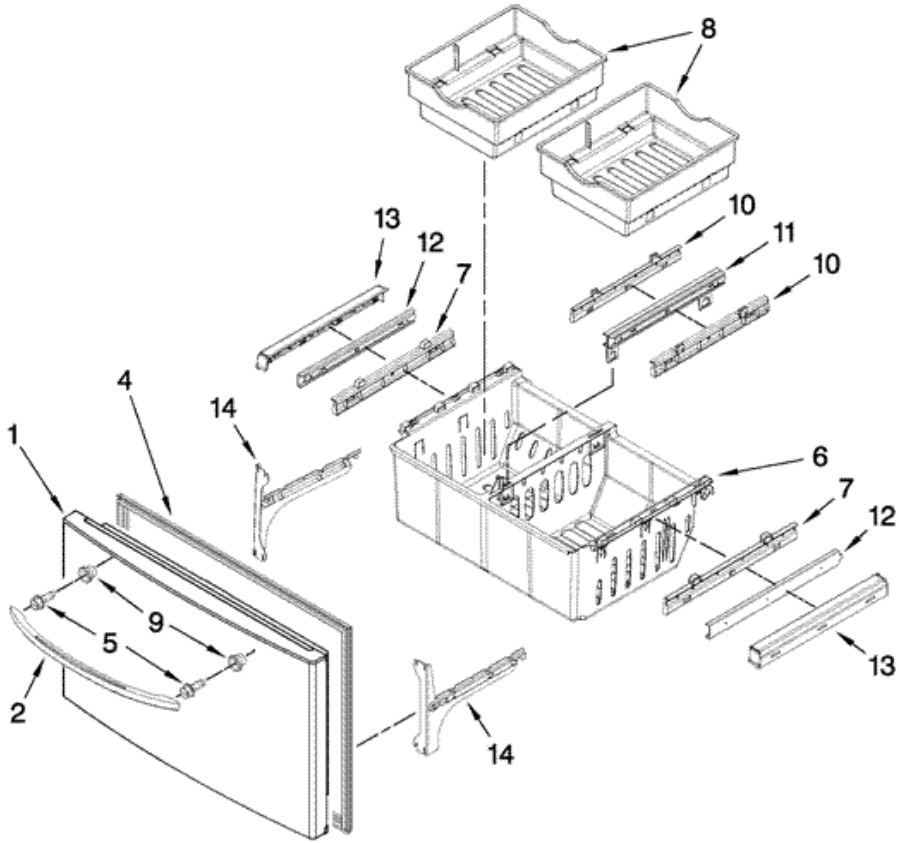




7MI2569VEM1 DISPENSER FRONT

1	*****	HOUSING, DISPENSER (NOT SERVICED)
2	W10164471	KEYBOARD (STAINLESS) (S/P)
3	67006294	BOARD, L.V. (S/P)
4	W10185235	SUMP, DISPENSER (MIDNIGHT GREY) (S/P)
5	13005705	CHUTE, EXT/YOKE (INCLUDES SWITCH) (S/P)
6	12990513	SCREW (3) (S/P)
7	67006295	RING, TARGET (S/P)
8	W10142273	FACADE, DISPENSER (STAINLESS) (S/P)
9	M0108106	CLAMP, TUBE (S/P)
10	W10185233	YOKE PAD ASSY. (MIDNIGHT GREY) (S/P)
11	12565502	SPRING (S/P)
12	W10142275	GRILLE-SUMP (S/P)

7MI2569VEM1 FREEZER DOOR

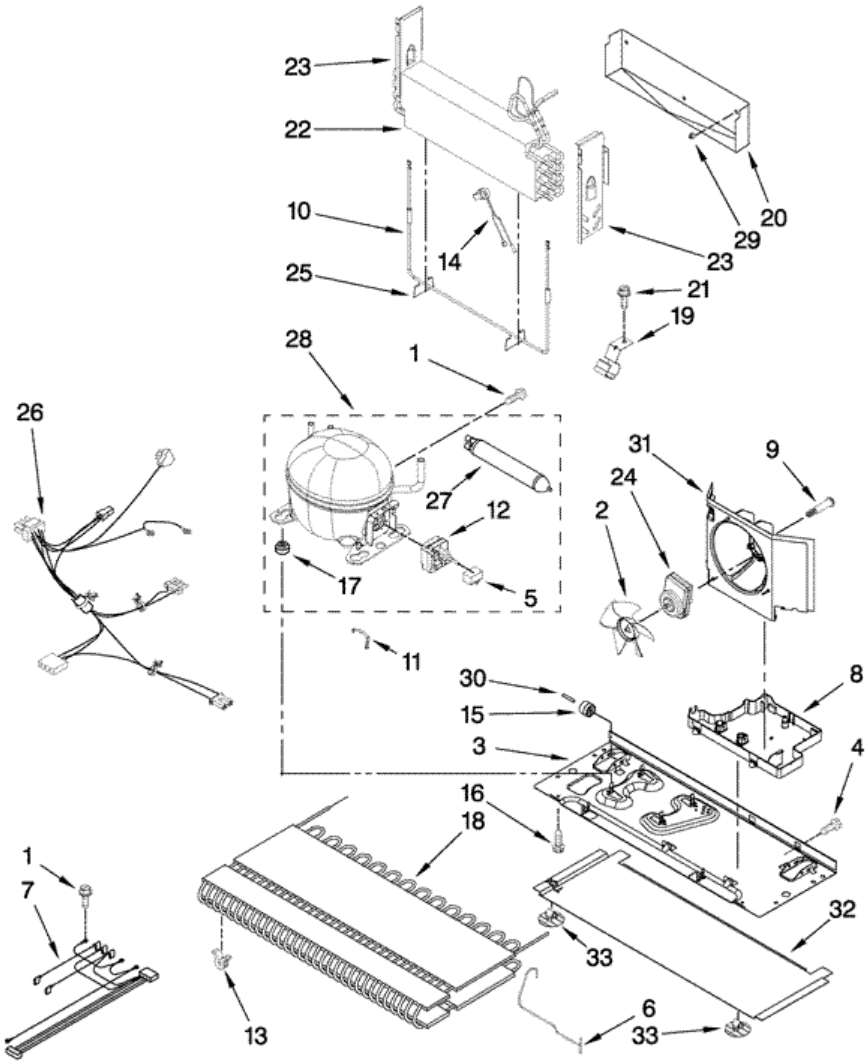




7MI2569VEM1 FREEZER DOOR

1	12977816SQ	FREEZER DOOR (MONO STAINLESS) (S/P)
2	W10138763	HANDLE, DOOR (STAINLESS) (S/P)
4	W10164045	GASKET, DOOR (APOLLO GREY) (S/P)
5	12991703	SCREW, HANDLE (S/P)
6	67006366	BIN, LOWER (S/P)
7	W10166742	ADAPTER, BIN (OUTER) (S/P)
8	12924903	BIN, UPPER (S/P)
9	67006113	MOUNT, HANDLE (S/P)
10	W10163002	ADAPTER, BIN (INNER) (S/P)
11	67006372	BRACKET/GLIDE ASSEMBLY (S/P)
12	67006369	GLIDE, UPPER (S/P)
13	67006367	RETAINER, GLIDE (LEFT) (S/P)
13	67006368	RETAINER, GLIDE (RIGHT) (S/P)
14	W10122147	BRACKET, DOOR SLIDE (LEFT) (S/P)
14	W10122148	BRACKET, DOOR SLIDE (RIGHT) (S/P)

7MI2569VEM1 UNIT





7MI2569VEM1 UNIT

2	12825803	BLADE, FAN (S/P)
3	W10210985	BASEPAN (S/P)
5	2169373	CAPACITOR
6	W10217747	TUBE, DISCHARGE (S/P)
7	W10119239	HARNESS, EVAP. HEATER (S/P)
8	W10296785	PAN, DRAIN (S/P)
9	W10216919	SCREW, SHOULDER (S/P)
10	12729123	HEATER, DEFROST (S/P)
11	W10204187	STRAP, BALE (S/P)
12	W10197428	START DEVICE (S/P)
13	W10137529	GROMMET, COND (4) (S/P)
14	67006387	THERMOSTAT, DEFROST (S/P)
15	67005149	ROLLER (2) (S/P)
16	12992101	SCREW (S/P)
17	W10169124	GROMMET (4) (S/P)
18	W10135026	CONDENSER (S/P)
19	10547003	CLIP, DRIER (S/P)
20	12225403WD	TRAY, DRIP (S/P)
21	12990701	SCREW (S/P)
22	12959803	EVAPORATOR (S/P)
23	12963002SP	DAM (LEFT SIDE) (S/P)
23	12963102SP	DAM (RIGHT SIDE) (S/P)
24	W10239053	MOTOR, FAN (S/P)
25	10428101	CLIP, HEATER (S/P)
26	W10234027	HARNESS, UNIT WITH POWER CORD (S/P)
27	W10143759	DRIER (S/P)
28	W10160407	COMPRESSOR (INCLUDES ITEMS 11, 12, 17, 27) (S/P)
29	10623002	CLIP, EVAPORATOR (S/P)
30	67006434	AXLE, ROLLER (2) (S/P)
31	W10189184	SHROUD (S/P)
32	W10206338	EXTENSION-BASEPAN (S/P)
33	W10206339	FASTENER-BASEPAN (S/P)