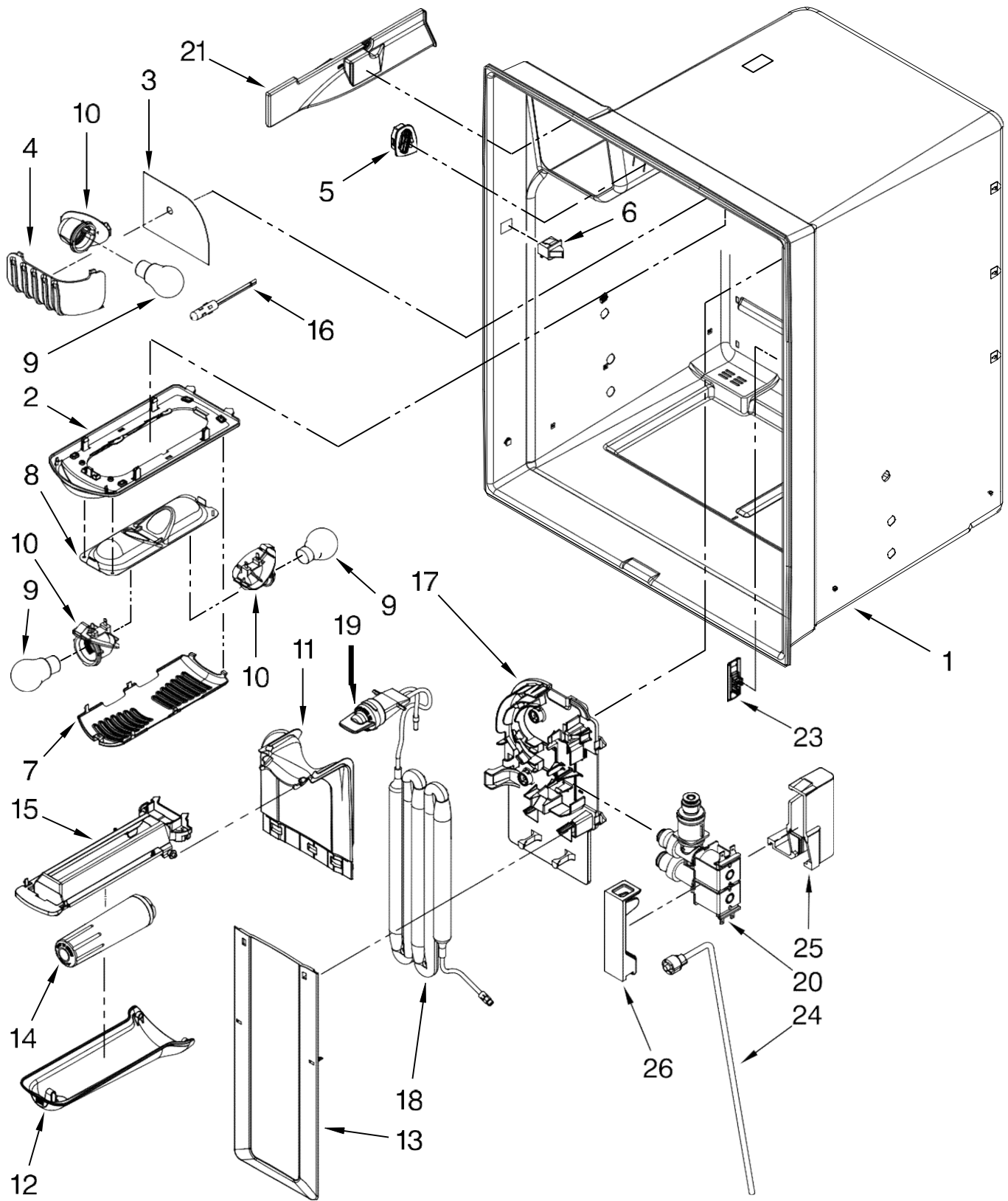


FOR ORDERING INFORMATION REFER TO PARTS PRICE LIST



Refrigerador Maytag 7MI2569VEM3

Illus. No.	Part No.	DESCRIPTION
1		Literature Parts
	W10308615	Tech Sheet
	W10238972	Use & Care Guide
	W10212209	Guide, Energy
2	12961401	Tube W/Waterline, Fill-IM
3	12698403	Block, Pivot
4	B5759655	Gasket, MC Back
5		Cover, Top Hinge (Right)
	12962302AP	Apollo Grey Cover, Fill Tube
6	12981401AP	Apollo Grey
7	12961602	Cover, Control Box
8	M0108107	Clamp, Tube
9	12992602	Screw, Hinge Cover
10	12963205ED	Hinge, Top Right
11	12992201	Screw, Center Hinge
12	12990511	Screw (3)
13		Cover, Top Hinge (Left)
	12962301AP	Apollo Grey
14	12992403	Screw, Top Hinge
15		Hinge, Center (RT)
	13000002AP	Apollo Grey
16	12957601	Box, HV Control
17		Cover, Corner (2)
	12587703AP	Apollo Grey
18	12963204ED	Hinge, Top Left
20	12991302	Screw (8)
21		Shim, Top Hinge
	12999501	Left
	12999502	Right
22		Grille, Toe
	W10244558	Apollo Grey
23	12957701	Lid, HV Control
24		Hinge, Center (LT)
	13000001AP	Apollo Grey
25	12990702	Screw, Cover
26		Cabinet (Not A Servicable Part)
28	12990302	Screw, Block
29	12957801	Gasket, HV Control
30	W10270394	Cover, MC Back
31	W10210988	Tube, Drain
33	12820505	Fiber, Acoustic
34	W10141622	Brake, Foot
35	W10310240	Board, HV Control
36		Roller Assembly
	W10275850	Left
	W10275849	Right

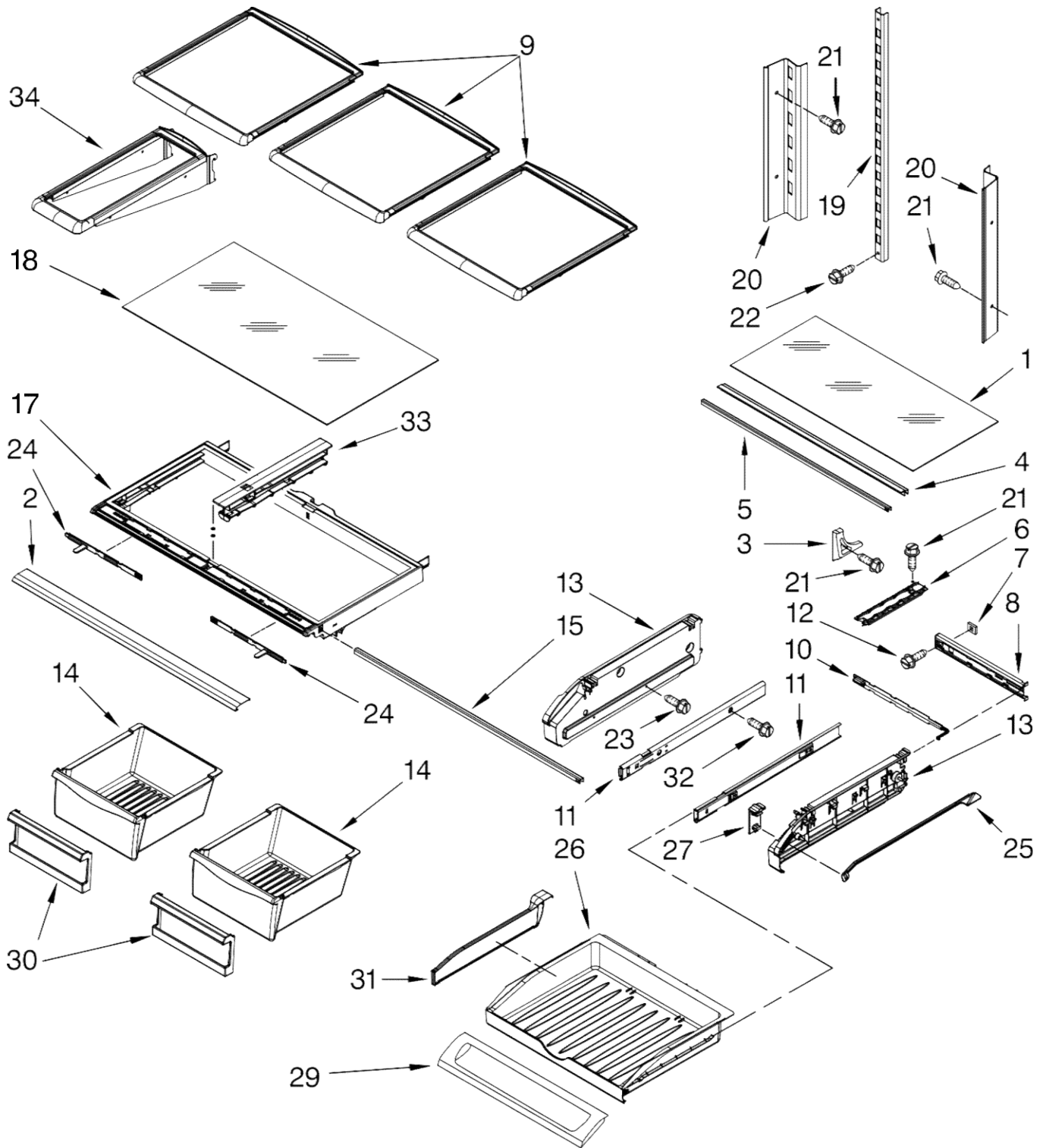


FOR ORDERING INFORMATION REFER TO PARTS PRICE LIST



Refrigerador Maytag 7MI2569VEM3

Illus. No.	Part No.	DESCRIPTION
1		Liner (Not A Serviceable Part)
2	12905803	Module, Light
3	12691605	Foil, Light
4	12921801	Cover, Light
5	13008201	Grille, Air
6	12466103	Switch, Light (2)
7	12905902	Cover, Light
8	12806601V	Housing, Light
9	2255743	Bulb, Light
10	12570701	Socket, Light
11	12960101	Cover, Water Tank (Upper)
12	12960301	Lid, Water Filter
13	12960001	Cover, Water Tank (Lower)
14	UKF8001AXX	Filter, Water
15	12955901	Bracket, Filter Base
16	12002355	Thermistor
17	12956001	Bracket, Water Tank & Valve
18	W10273376	Water Tank & Head Assembly
19	12664501SP	Plug, Bypass
20	12956102	Valve, Water Inlet
21	12960901	Cover, Ice Box Harness
23	12987301	Cover, Chiller Vent
24	12962204	Waterline, Cabinet (W/Nut)
25	W10118193	Enclosure, Water Valve Connector
26	W10118194	Lid, Enclosure

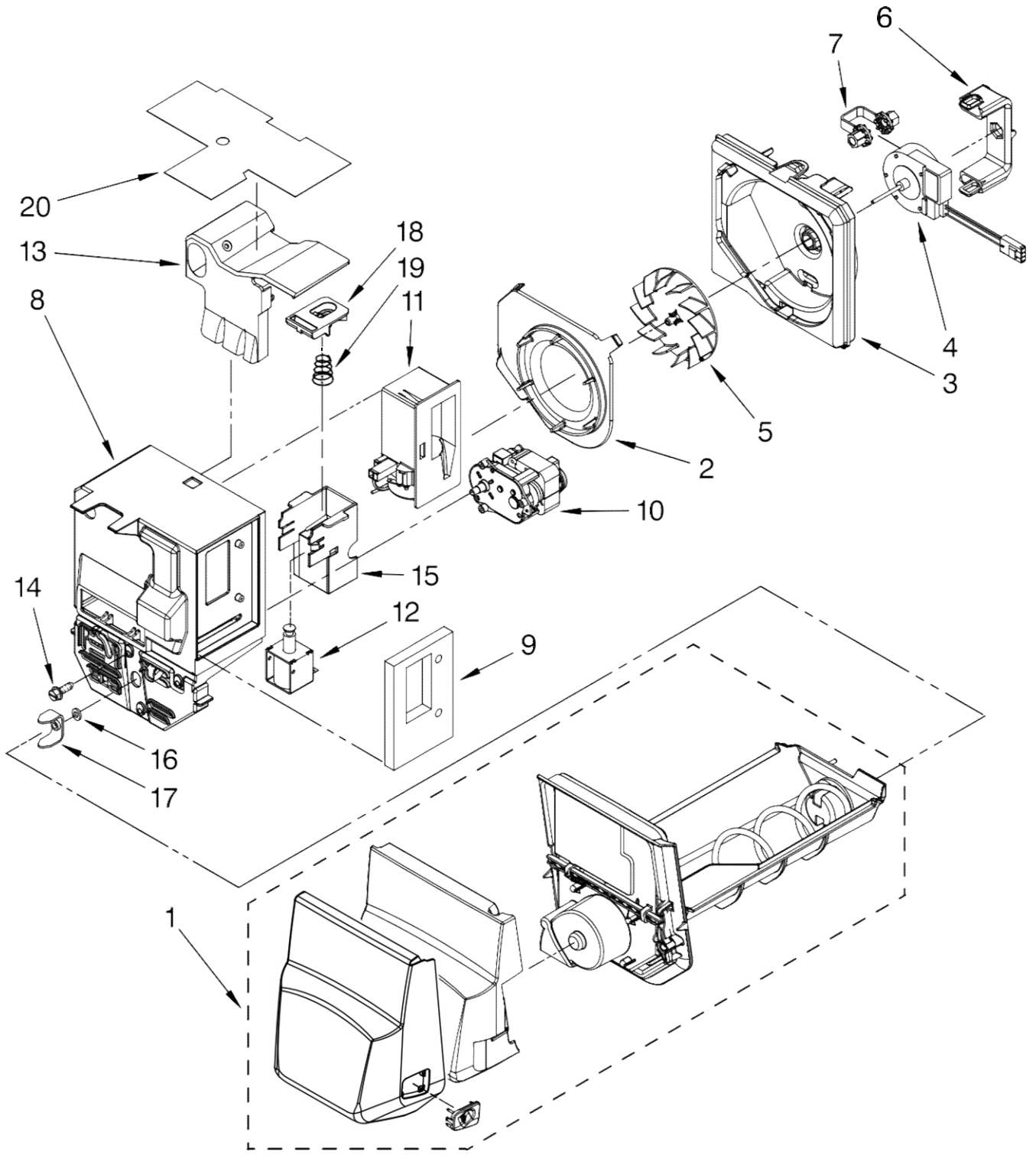


FOR ORDERING INFORMATION REFER TO PARTS PRICE LIST



Refrigerador Maytag 7MI2569VEM3

Illus. No.	Part No.	DESCRIPTION
1	12204824	Glass, Pantry
2	W10231345	Trim, Crisper
3	13062602	Support-Crisper-2
4	12655902SP	Support, Pantry(2)
5	12227305WD	Brace, Pantry (2)
6	12531901	Track, Pantry
7	12656901	Gasket, Pantry
8	12656202	Housing, Control
9	12883507N	Shelf, Glide (3)
10	12655402	Slide, Temperature
11	W10235370	Glide, Drawer(2)
12	12990513	Screw
13		Endcap, Pantry
	12656106	Left
	12656019	Right
14	12804601SP	Pan, Crisper (2)
15	12642303WD	Brace, Crisper
17	12796301SP	Frame, Crisper
18	12204830	Glass, Crisper Cover
19	W10273464	Ladder, Center
20		Ladder, Side
	W10251966	Left
	W10251965	Right
21	12990513	Screw
22	12990515	Screw
23	12990512	Screw
24	12530805SP	Slide, Humidity Control
25	12655304	Bar, Temperature Control
26	12731302	Drawer, Pantry
27	12655204V	Knob, Temperature Control Crisper Frame
29	12656815	Lid-Pantry
30	12802602SP	Front-Crisper
31	12731901	Divider, Pantry
32	12990504	Screw
33	12796401	Rail-Center-Crspr.
34	12885501	Shelf-Mini

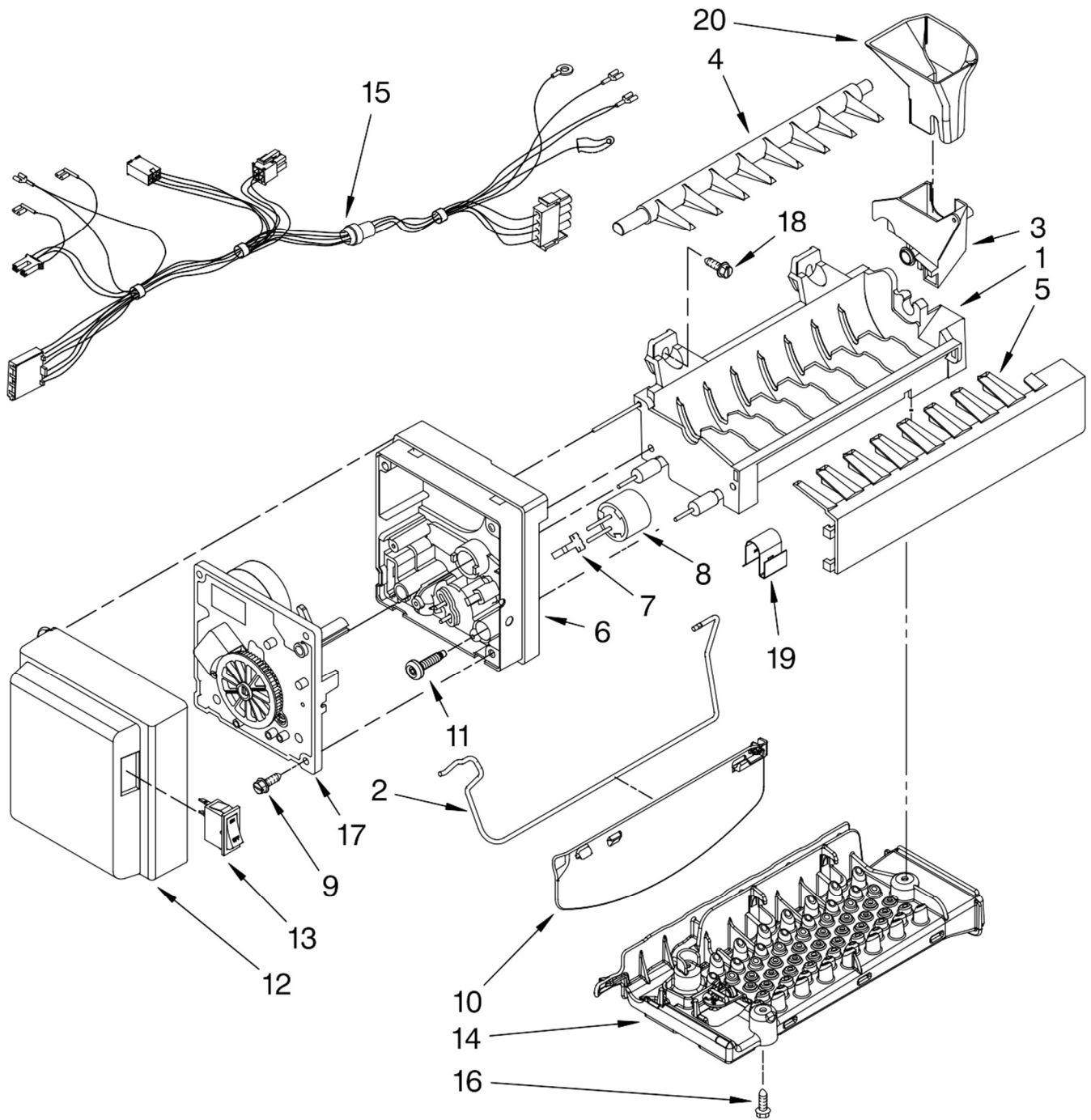


FOR ORDERING INFORMATION REFER TO PARTS PRICE LIST



Refrigerador Maytag 7MI2569VEM3

Illus. No.	Part No.	DESCRIPTION
1	13012611	Ice Bin Assembly (Includes Auger)
2	W10121282	Inlet, Blower
3	W10121281	Scroll, Blower
4	W10162697	Motor, Fan
5	W10123444	Wheel, Blower
6	12956603SP	Clip, Fan Motor
7	W10151687	Grommet, Fan Motor
8	12958408SP	Divider, Ice Box
9	12920001SP	Gasket, Damper
10	12955405	Motor, Auger
11	W10127427	Damper, Control
12	13028201SP	Solenoid
13	W10118612	Liner, Divider
14	12990511	Screw (3)
15	12958602SP	Bracket, Solenoid
16	420107A700	Washer
17	63052A001	Yoke, Ice Dispenser
18	12958502SP	Yoke, Solenoid
19	12942401SP	Spring, Solenoid
20	W10142628	Foil, Ice Box



FOR ORDERING INFORMATION REFER TO PARTS PRICE LIST

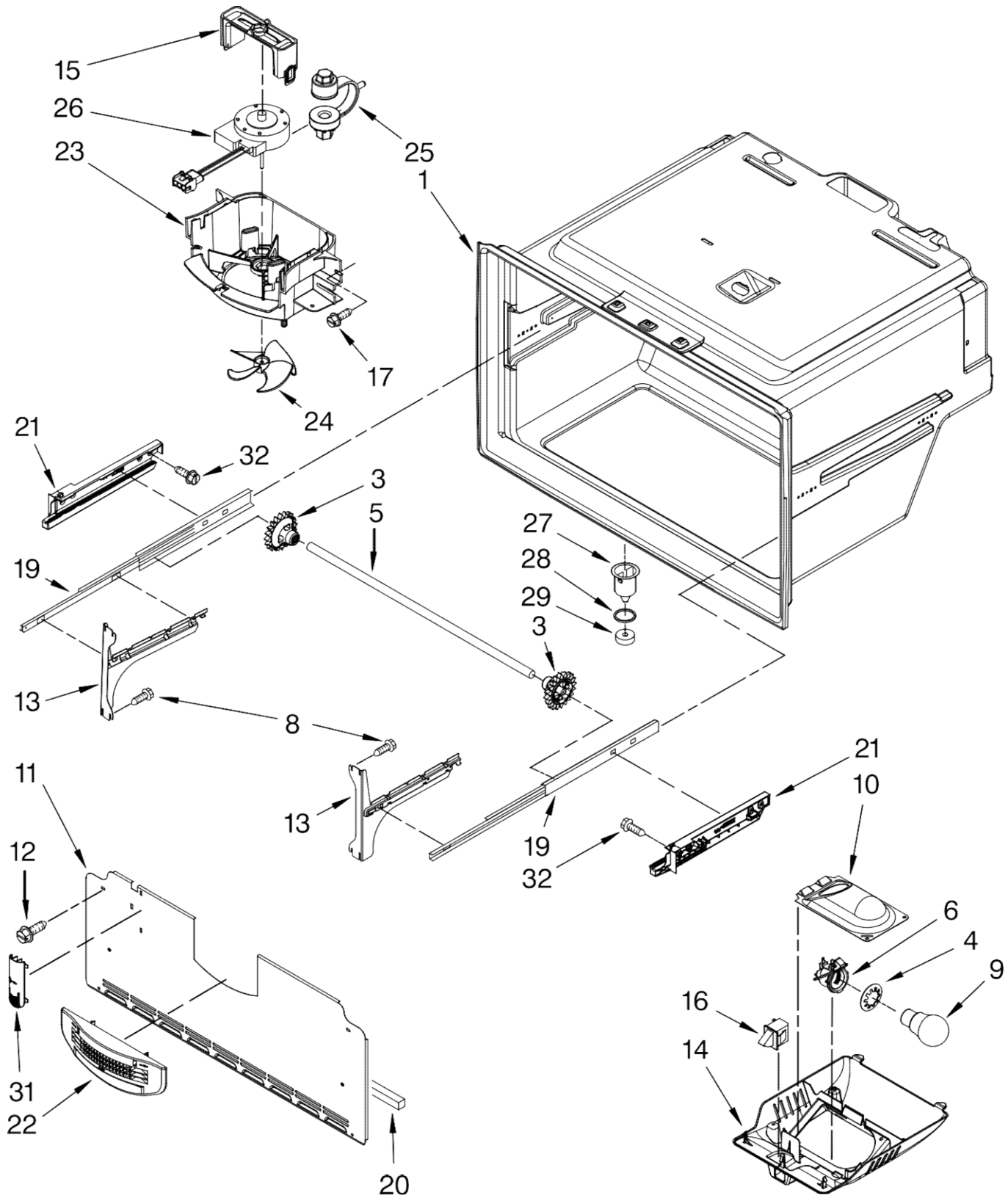


Refrigerador Maytag 7MI2569VEM3

Illus. No.	Part No.	DESCRIPTION
1	W10122527	Mold & Heater Assembly (Also Order 542638 Grease)
2	W10175514	Arm, Shutoff
3	628515	Cup, Fill
4	627843	Ejector
5	2182124	Ice Stripper
6	2194712	Support, Housing
7	2315522	Retainer, Thermostat
8	628397	Thermostat (Also Order 542369 Cement)
9	489276	Screw (3)
10	W10121440	Extension, Shutoff Arm
11	8533917	Screw (2)
12	W10121444	Cover
13	2313326	Switch, On-Off
14	W10121269	Impinger Assy.
15	W10117806	Harness, Icemaker
16	12990511	Screw, Impinger
17	W10223929	Module Assembly (Includes Motor W10122551)
18	489276	Screw (3)
19	628379	Clip
20	W10121434	Insert, Fill Cup
100	W10190981	Icemaker Assembly

Following Parts Not Illustrated

10244904SP Coupling



FOR ORDERING INFORMATION REFER TO PARTS PRICE LIST

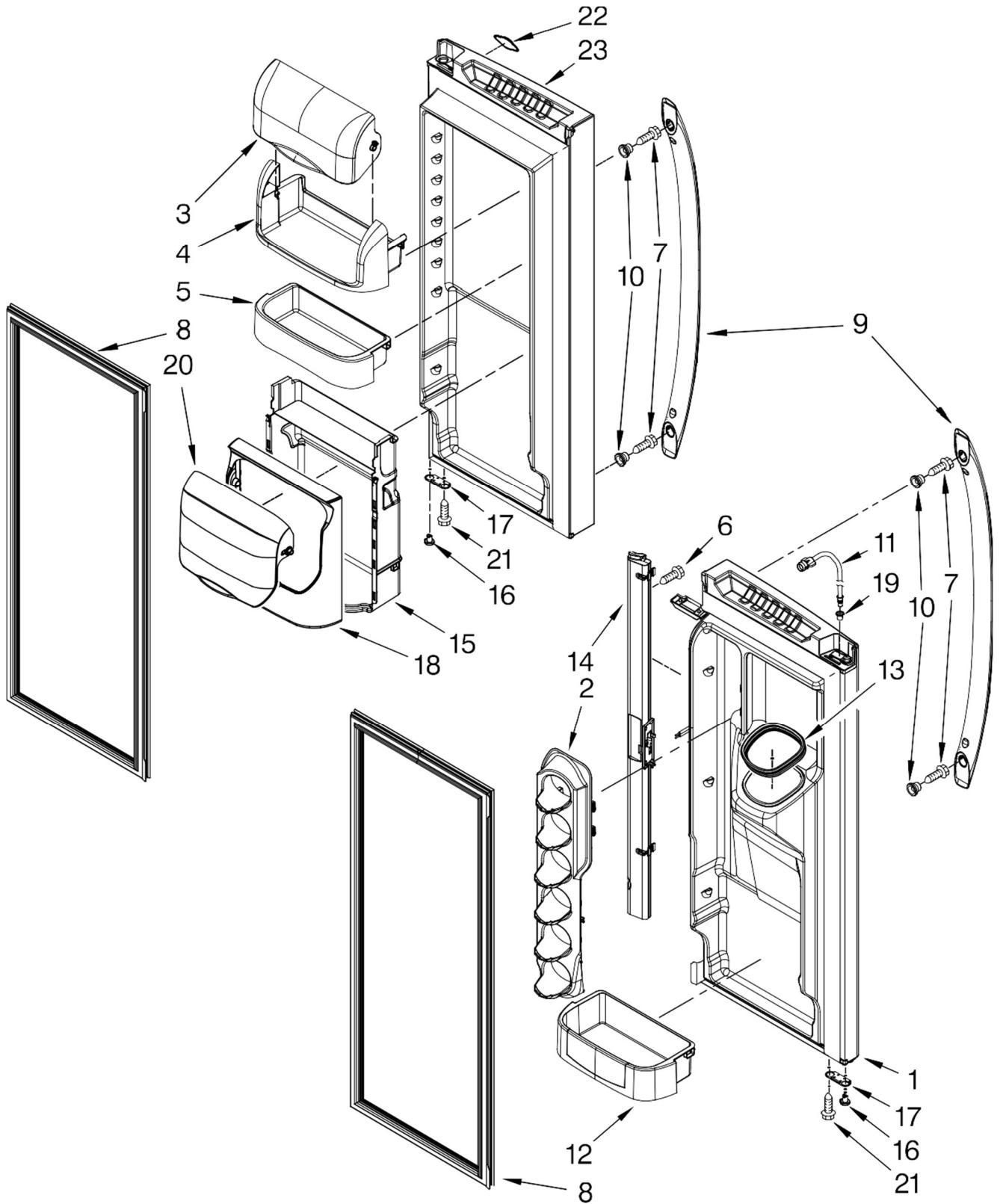


Refrigerador Maytag 7MI2569VEM3

Illus. No.	Part No.	DESCRIPTION
1		Liner (Not A Serviceable Part)
3	12002497	Gear-(L & R)
4	2169193	Shroud-Lght Socket
5	12812903WD	Shaft, Rack
6	12570701SP	Socket, Light
8	12990521	Screw, Bracket
9	2255743	Bulb, Light
10	12476401SP	Housing, Light
11	W10308421	Cover, Evap
12	12990511	Screw
13		Bracket, Door Slide
	W10122147	Left
	W10122148	Right
14	13027902SP	Module, Freezer Light
15	12956601	Clip, Fan Motor
16	12466115SP	Switch, Rocker
17	12990504	Screw, Fan Shroud To Basket
19	W10120018	Slide, Drawer (2)
20	A3189397	Gasket, Foam
21		Adapter
	W10284682	Left
	W10284683	Right
22	12959901	Grille, Air
23	12951401	Shroud, Evap Fan
24	12986101	Blade, Fan (Evaporator)
25	12951101	Grommet, Fan Motor (2)
26	W10257096	Motor, Evaporator Fan
27	D7753903	Funnel, Drain
28	M0500703	Seal, O Ring
29	B8381501	Gasket, Drain Tube
31	12815301	Cover, Thermistor
32	12990501	Screw, Adapter

Following Parts Not Illustrated

12952005SP Harness FZ-Light
(Incl-Thermistor)

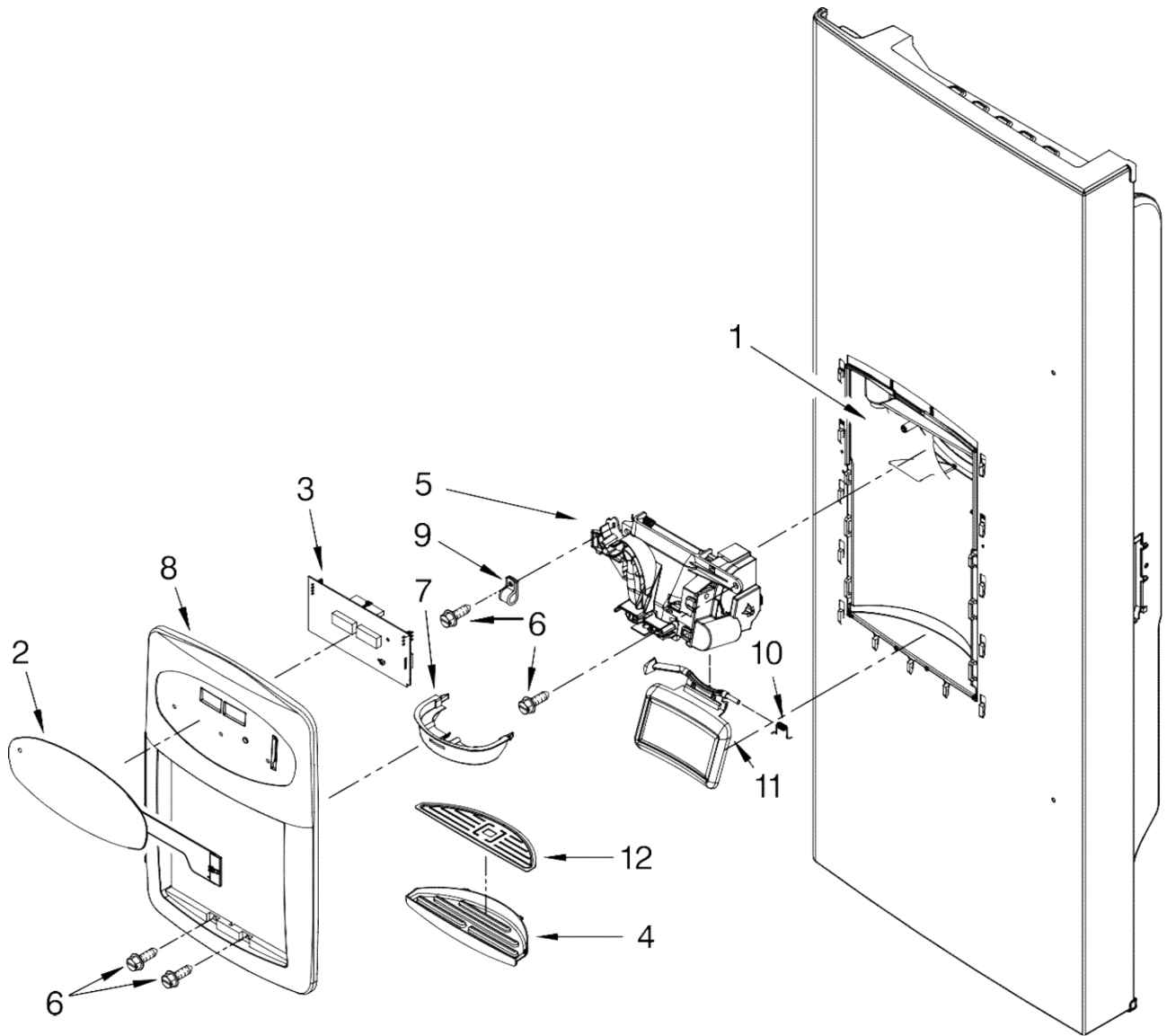


FOR ORDERING INFORMATION REFER TO PARTS PRICE LIST



Refrigerador Maytag 7MI2569VEM3

Illus. No.	Part No.	DESCRIPTION
1		Door, Left
	13107808S	Mono Stainless
2	12922301	Dispenser-Can
3	12804701SP	Door, Dairy
4	12369502SP	Tray, Dairy
5	12945801SP	Bin, Shelf (Chiller Top)
6	12990204	Screw
7	W10290759	Screw, Handle
8		Gasket, Door (Left Door)
	W10163991	Apollo Grey (Right Door)
	W10163991	Apollo Grey
9		Door Handle
	W10291144	Stainless
10	13001201	Mount, Handle
11	12962106	Waterline, Door
12	12840004	Bin, Shelf (Gallon)
13	W10287601	Seal, Ice Chute
14		Mullion, Door
	12722813APK	Apollo Grey
15	12945601SP	Frame, Chiller (Rear)
16		Closure, Door
	12028505AP	Apollo Grey
17		Stop, Door
	12968202AP	Apollo Grey
18	12945501SP	Frame, Chiller (Front)
19	12996601	Clip, Bushing Wire (Left Door)
20	12945701SP	Door, Chiller
21	12990521	Screw
22	W10170766	Nameplate
23		Door, Right
	13107811S	Mono Stainless



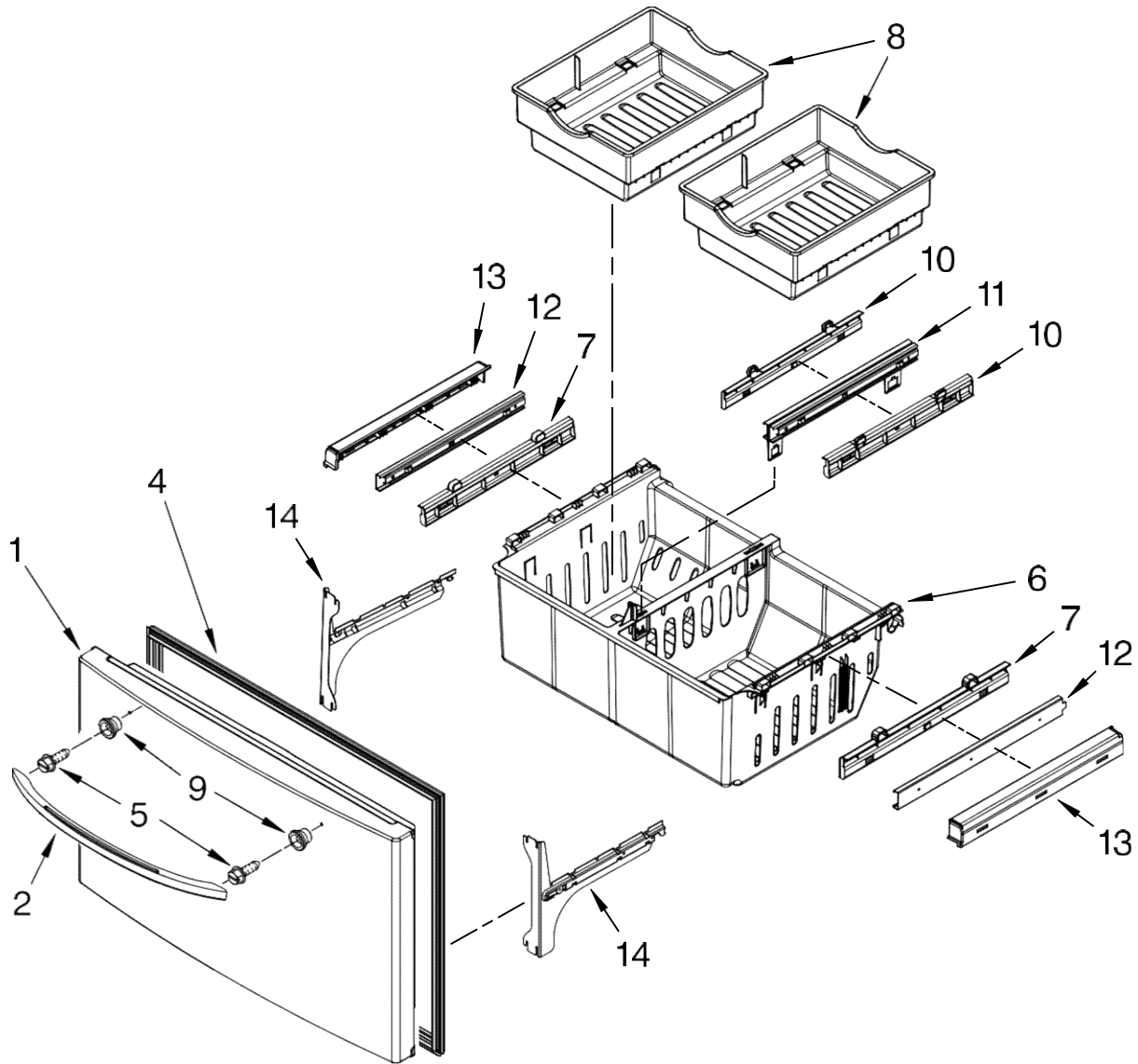
Illus. No.	Part No.	DESCRIPTION
1		Housing, Dispenser (Not Serviced)
2		Keyboard
	W10316089	Stainless
3	12939601	Board, L.V.

Illus. No.	Part No.	DESCRIPTION
4		Sump, Dispenser
	W10185235	Midnight Grey
5		Chute, Ext/Yoke (Includes Switch)
	13005705	Midnight Grey
6	12990513	Screw (3)
7	12958301	Ring, Target

Illus. No.	Part No.	DESCRIPTION
8		Facade, Dispenser
	W10310688	Stainless
9	M0108106	Clamp, Tube
10		Yoke Pad Assy.
	W10185233	Midnight Grey
11	12565502	Spring
12	W10142275	Grille-Sump

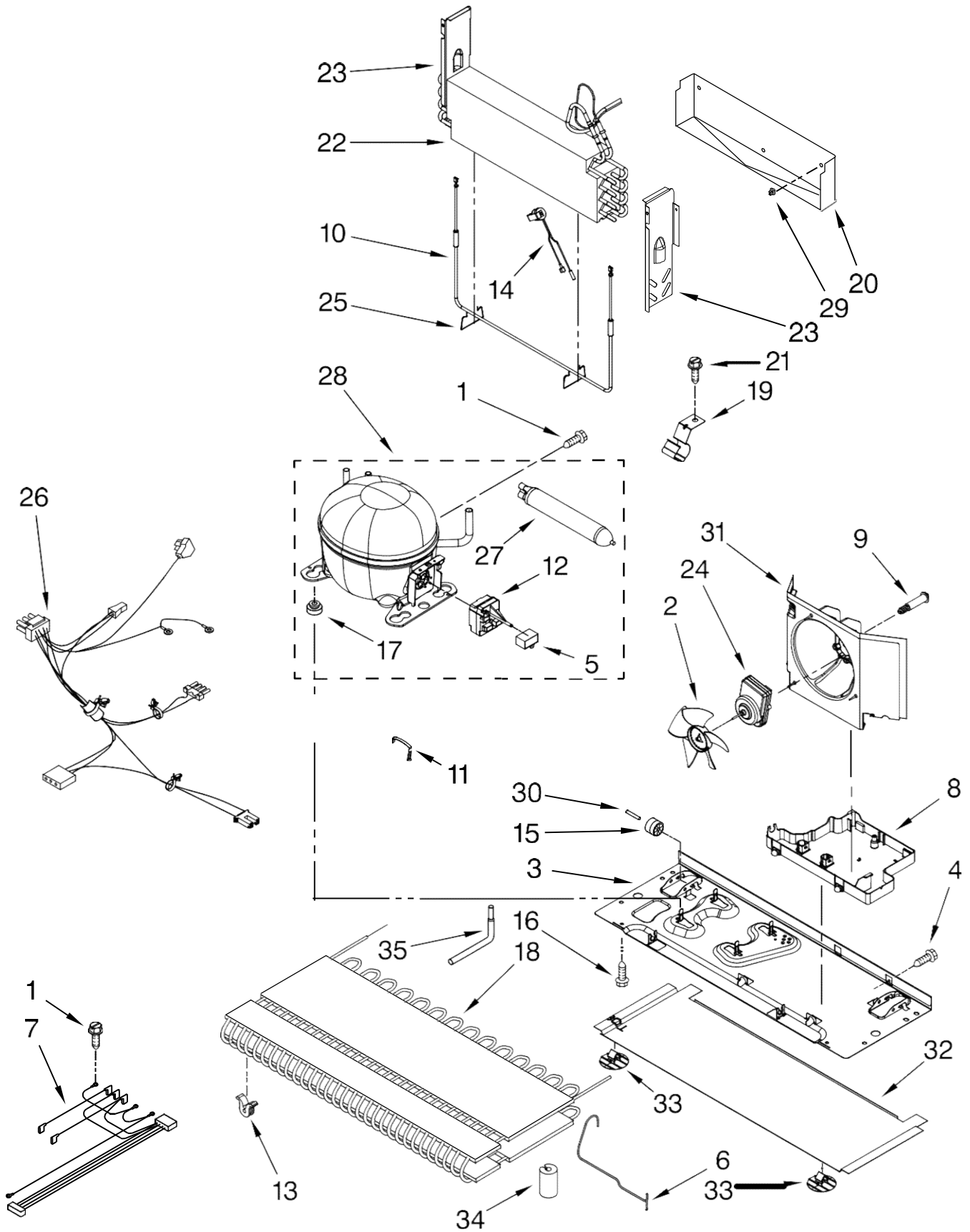
FOR ORDERING INFORMATION REFER TO PARTS PRICE LIST

Refrigerador Maytag 7MI2569VEM3



Illus. No.	Part No.	DESCRIPTION	Illus. No.	Part No.	DESCRIPTION	Illus. No.	Part No.	DESCRIPTION
1	12977846S	Freezer Door Mono Stainless	6	12924801SP	Bin, Lower	12	W10235367	Glide, Upper
2	W10138763	Handle, Door Stainless	7	12925403SP	Adapter, Bin (Outer)	13	12925502SP	Retainer, Glide Right
4	W10164045	Gasket, Door Apollo Grey	8	12924903	Bin, Upper	14	12925501SP	Left Bracket, Door Slide
5	W10290759	Screw, Handle	9	13001201	Mount, Handle		W10122147	Left
			10	12925404SP	Adapter, Bin (Inner)		W10122148	Right
			11	W10235357	Bracket/Glide Assembly			

FOR ORDERING INFORMATION REFER TO PARTS PRICE LIST



FOR ORDERING INFORMATION REFER TO PARTS PRICE LIST



Refrigerador Maytag 7MI2569VEM3

Illus. No.	Part No.	DESCRIPTION	Illus. No.	Part No.	DESCRIPTION	Illus. No.	Part No.	DESCRIPTION
1	12992301	Screw	21	12990701	Screw	Following Parts Not Illustrated and Optional Parts Not Included		
2	12825803	Blade, Fan	22	12959803	Evaporator			
3	W10210985	Basepan	23		Dam			
4	12990511	Screw		12963102SP	Right Side			
5	2264017	Capacitor		12963002SP	Left Side			
6	W10217747	Tube, Discharge	24	W10239053	Motor, Fan		978025	Valve, Access (1/4")
7	W10257095	Harness, Evap. Heater	25	10428101	Clip, Heater		978026	Valve, Access (5/16")
8	W10296785	Pan, Drain	26	W10234027	Harness, Unit with Power Cord		978027	Valve, Access (3/8")
9	W10216919	Screw, Shoulder	27	W10143759	Drier		978028	Valve, Access (1/2")
10	12729123	Heater, Defrost	28	W10134623	Compressor (Includes items 11,12,17,27)		978029	Valve, Access (5/8")
11	W10204187	Strap, Bale	29	10623002	Clip, Evaporator		978030	Valve, Access (3/4")
12	W10197428	Start Device	30	12477202	Axle, Roller (2)		876764	Valve, Access (3/16")
13	W10137529	Grommet, Cond (4)	31	W10189184	Shroud			
14	12639311SP	Thermostat, Defrost	32	W10206338	Extension-Basepan			
15	12477102	Roller (2)	33	W10206339	Fastener-Basepan			
16	12992101	Screw	34	2319835	Grommet-Condenser			
17	10835903SP	Grommet (4)	35	W10184616	Tube-Process			
18	W10135026	Condenser						
19	W10281329	Clip, Drier						
20	W10292803	Tray, Drip						
						REFRIGERANT CHARGE		
								5.25 Ozs. (R-134A)

OPTIONAL PARTS (NOT INCLUDED)

For Models: 7MI2569VEM3
(Monochromatic Stainless)

Illus. No.	Part No.	DESCRIPTION	Illus. No.	Part No.	DESCRIPTION	Illus. No.	Part No.	DESCRIPTION
Parts Not Illustrated and Optional Parts (Not Included)			Miscellaneous			TORX SCREW WRENCH		
Customer Touch-Up Material								
	*350942	Primer, White (13 Oz. Spray Can)		212643	Sealer, Gum (4 Feet)		1117510	Torx Key
	*350939	Enamel, Black (13 Oz. Spray Can)		479502	Tape, Vinyl (3/4 x 108")			
	*350930	Enamel, White (13 Oz. Spray Can)		876370	Kit, Insulation (2 Pcs. x 3" x 24" X 48")			
	22002901	Enamel, Bisque (12 OZ. Spray Can)		876305	Kit, Insulation (14 Pcs. x 3" x 24" x 48")			
	22002900	Enamel, Bisque (.6 OZ. Bottle)		978941	Insulation, Fiberglass (63-1/2" x 35-1/2" X 2-5/8)			
	72017	Brush Touch-Up Kit (White)		876029	Kit, Foam Slab (30" x 32-1/2" x 1-1/2")			
	72032	Brush Touch-up kit (Black)		505587	Sealer, Mastic (1 Qt.)			
				503695	Cork, Sealer (1/4 Pound)			
				20000008	Cleaner, Stnls Steel Magic			
				542638	Grease, Silicone (1/2 Oz.)			
				542639	Cement, Alumilastic (1-1/4 Oz.)			
				606755	Bag, Insulation (36-5/8" x 46")			
				833938	Kit, Terminal Connector			
				67007112	Ice Container Assembly			
Refinishing Material								
	799340	Enamel, Black (1 Qt. Uncut)						
	799344	Enamel, White (1 Qt. Uncut)						

***Important:** The spray paint is not to be used where the paint may make contact with the door gaskets.

FOR ORDERING INFORMATION REFER TO PARTS PRICE LIST